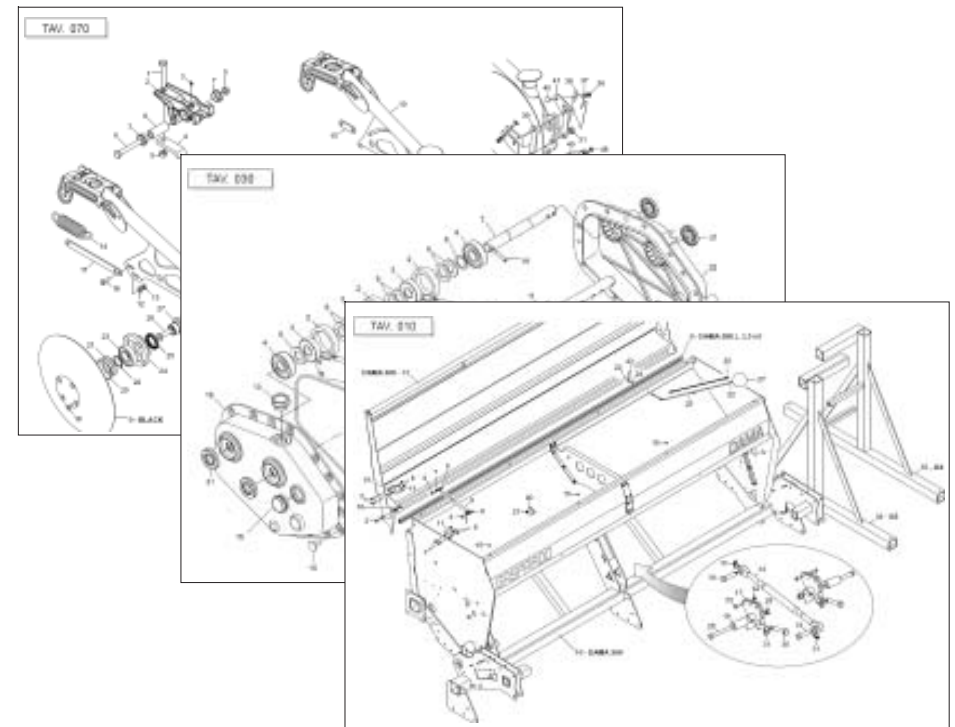


# GASPARDO

MASCHIO GASPARDO S.p.A.



# DAMA

Cod: G19530961 2011-05

- \*) Valido per Paesi UE
- \*) Valid for EU member countries
- \*) Valable dans les Pays UE
- \*) Gilt für EU-Mitgliedsländer
- \*) Válido para Países UE

- IT** PARTI DI RICAMBIO
- EN** SPARE PARTS
- DE** ERSATZTEILE
- FR** PIÈCES DÉTACHÉES
- ES** PIEZAS DE REPUESTO

**PARTI DI RICAMBIO****SPARE PARTS****ERSATZTEILE****PIECES DÉTACHÉES****RESPUESTOS**

Le ordinazioni delle parti di ricambio vanno fatte presso i nostri concessionari di zona e devono essere sempre corredate dalle seguenti indicazioni:

- **Tipo, modello e numero di matricola dell'attrezzatura.** Tali dati sono stampigliati nell'apposita targhetta di cui è dotata ogni attrezzatura.

- **Numero di codice della parte richiesta** rilevabile dal catalogo ricambi.

- **Descrizione del particolare e quantità richiesta.**

- **Numero della tavola.**

- **Mezzo di trasporto.** Nel caso questa voce non sia specificata, la Ditta Costruttrice, pur dedicando a questo servizio una particolare cura, non risponde di eventuali ritardi di spedizione dovuti a cause di forza maggiore.

Le spese di trasporto si intendono sempre a carico del destinatario. La merce viaggia a rischio e pericolo del committente anche se venduta franco destino.

**NOTA:** Il termine **(Dx) Destro** o **(Sx) Sinistro** della macchina o di parti di essa, è inteso guardando la macchina dalla parte posteriore. Le eccezioni saranno indicate.

*Orders must be transmitted through our area dealers and should always include the following indications:*

- **Type, model and serial number of the machine.** *These data are punched on the data plate with which every implement is equipped.*

- **Code number of the required spare part.** *This will be found in the spare parts catalogue.*

- **Description of the part and required quantity.**

- **Table number.**

- **Means of dispatch.** *If this item is not indicated, the Manufacturer, while dedicating particular care to this service, shall not be held responsible for delays in delivery caused by cases of force majeure.*

*Transport expenses shall always be at the consignee's charge. The goods travel at the purchaser's risk and peril even when sold ex destination.*

**NOTE:** *The symbols (Dx) right and (Sx) left, concerning the machine or single parts of it, are referred, as in the figure, to a rear view of them. Exceptions will be indicated.*

Die Bestellungen müssen bei unseren Gebietshändler aufgegeben werden. Bei der Bestellung sind stets die folgenden Angaben zu machen:

- **Typ, Modell und Serien-Nummer des Geräts.** Diese Daten stehen auf dem Typenschild, mit dem jedes Gerät versehen ist.

- **Artikel Nr. der erforderlichen Ersatzteile.** Diese stehen im Ersatzteil-Katalog.

- **Beschreibung des Ersatzteils und die erforderliche Stückzahl.**

- **Tafelnummer.**

- **Versandmittel.** Wenn dieser Punkt nicht spezifiziert wird, haftet die Herstellerfirma nicht für etwaigen Lieferverzug aufgrund höherer Gewalt, auch wenn er diesen Service besonders aufmerksam abwickelt.

Die Frachtkosten gehen dagegen immer zu Lasten des Empfängers. Die Ware reist auf Gefahr und Risiko des Auftraggebers, auch wenn frei Haus Verkauft vereinbart worden ist.

**N.B.:** Die Merkzeichen **(Dx) rechts** und **(Sx) links** betreffen eine rückwärtige Aussicht der Maschine oder Teile von ihr (siehe Bild). Ausnahmen werden gezeigt.

*Les ordres doivent être effectués auprès de nos concessionaires de zone en précisant les indications suivantes:*

- **Type, modèle et numéro de série de la machine.** *Ces données sont gravées sur la plaque d'identification de chaque outil.*

- **Numéro de code de la pièce détachée** *indiqué sur le catalogue des pièces détachées.*

- **Description de la pièce et quantité requise.**

- **Numéro de plan.**

- **Moyen d'expédition.** *Si cette rubrique n'est pas indiquée, le Constructeur, bien que soucieux de ce service, ne répond pas des retards d'expédition pour des causes de force majeure.*

*Les frais de transport sont toujours à la charge du destinataire. La marchandise voyage aux risques et périls de l'acheteur même si vendue franco de port.*

**N.B.:** *Les références (Dx) droit et (Sx) gauche de la machine ou des parties de la même, est entendue, comme de la figure, en regardant la machine de derriere dans le sens de marche.*

Los pedidos han de efectuarse en nuestros consesionarios de zona y deben incluir siempre las siguientes indicaciones:

- **Tipo, modelo y número de matricula del equipo.** Dichos datos están impresos en la relativa placa presente en el equipo.

- **Número de código de la parte requerida** presente en el catálogo respuestas.

- **Descripción de la pieza y cantidad requerida.**

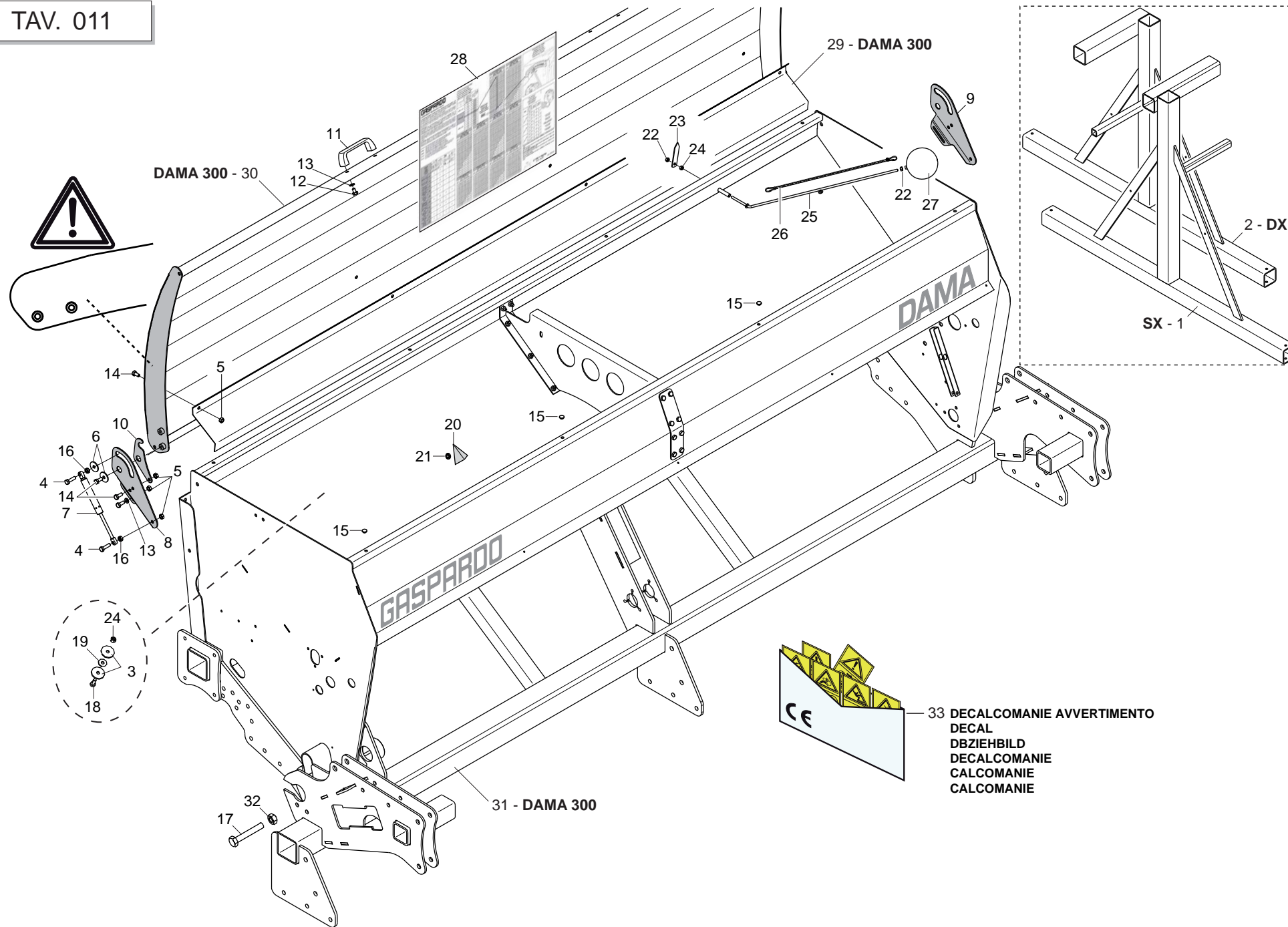
- **Numero de ilustración.**

- **Medio de transporte.** En caso que este ítem no esté especificado, el Fabricante, aún prestando la debidas consideraciones para este aspecto, no responde por eventuales retardos de env'o debidos a causas de fuerza mayor.

Los gastos de transporte se consideran siempre a cargo del destinatario. La mercadería viaja bajo riesgo y peligro del comprador, incluso cuando se vende franco destino.

**N.B.:** La refencia **(Dx) derecha** o **(Sx) izquierda** de la máquina o de sus componentes, se entiende, como en la figura, mirando la máquina por la parte trasera. Se indicarán las excepciones.

<b>Nr. Tav.</b>	<b>Descrizione - Description</b>	<b>Pag.</b>
TAV. 011	Telaio tramoggia DAMA 300 .....	4
TAV. 012	Telaio tramoggia DAMA 250-300-350-400 .....	6
TAV. 180	Collegamento Seminatrice/Erpice .....	8
TAV. 021	Distribuzione .....	10
TAV. 031	Cambio .....	12
TAV. 041	Trasmissione .....	14
TAV. 051	Vaschette scarico semi .....	16
TAV. 061	Assolcatori a stivaletto .....	18
TAV. 071	Assolcatori a dischi COREX .....	20
TAV. 081	Assolcatori a SINGOLO disco .....	22
TAV. 091	Regolazione assolcatori .....	24
TAV. 101	Regolazione oleodinamica assolcatori .....	26
TAV. 111	Segnafile .....	28
TAV. 121	Erpice copriseme MULTI CONTROL .....	30
TAV. 131	Pedana .....	32
TAV. 141	Separatori e rialzo tramoggia .....	34
TAV. 151	Tracciasentieri posteriore .....	36
TAV. 170	Sollevamento oleodinamico Seminatrice / Ruota trasmissione ..	38
TAV. 160	Kit luci e tabelle d'ingombro .....	40

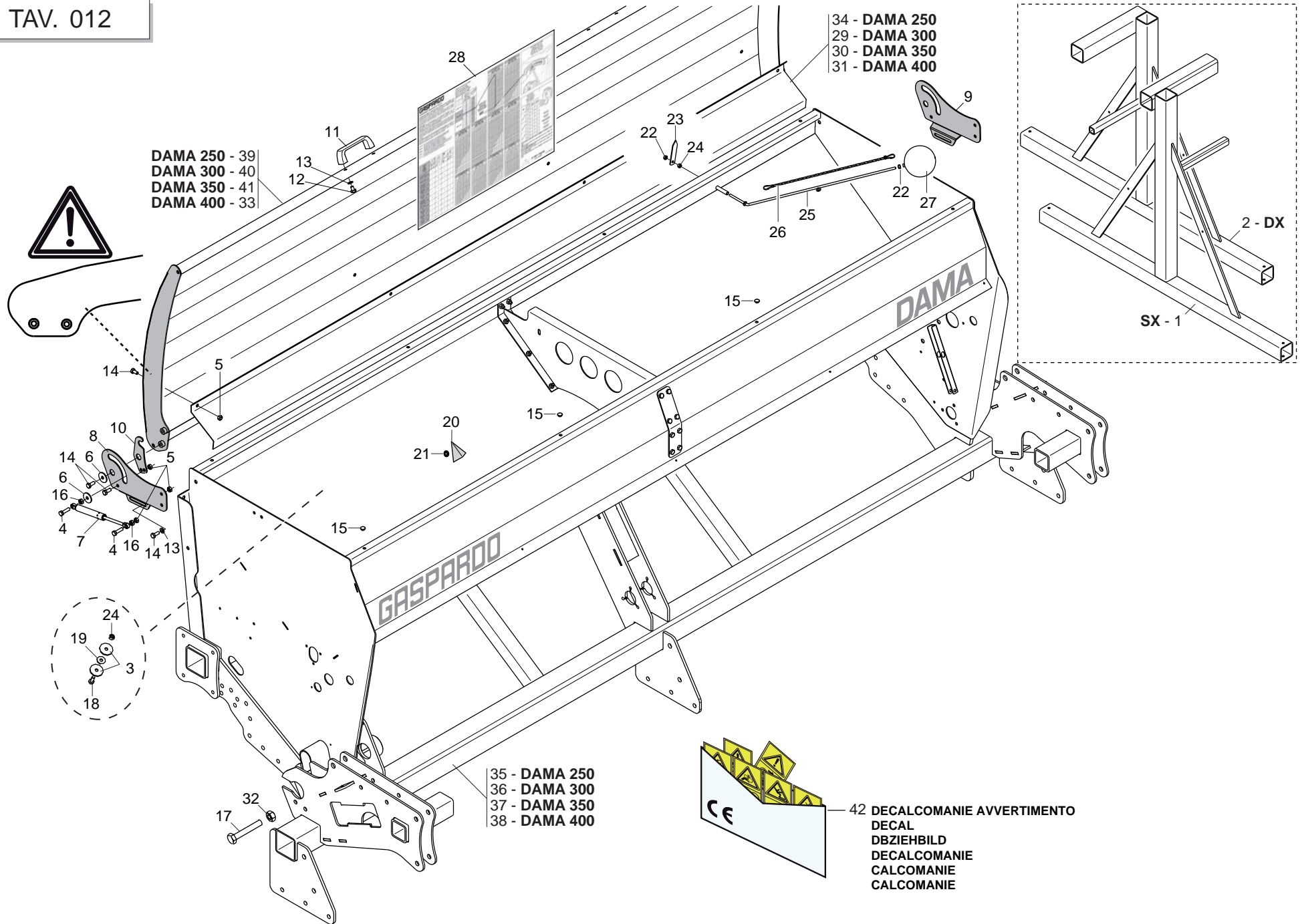


- 33 DECALCOMANIE AVVERTIMENTO
- DECAL
- DBZIEHBILD
- DECALCOMANIE
- CALCOMANIE
- CALCOMANIE

**TELAIO TRAMOGGIA DAMA 300**

**TAV. 011**

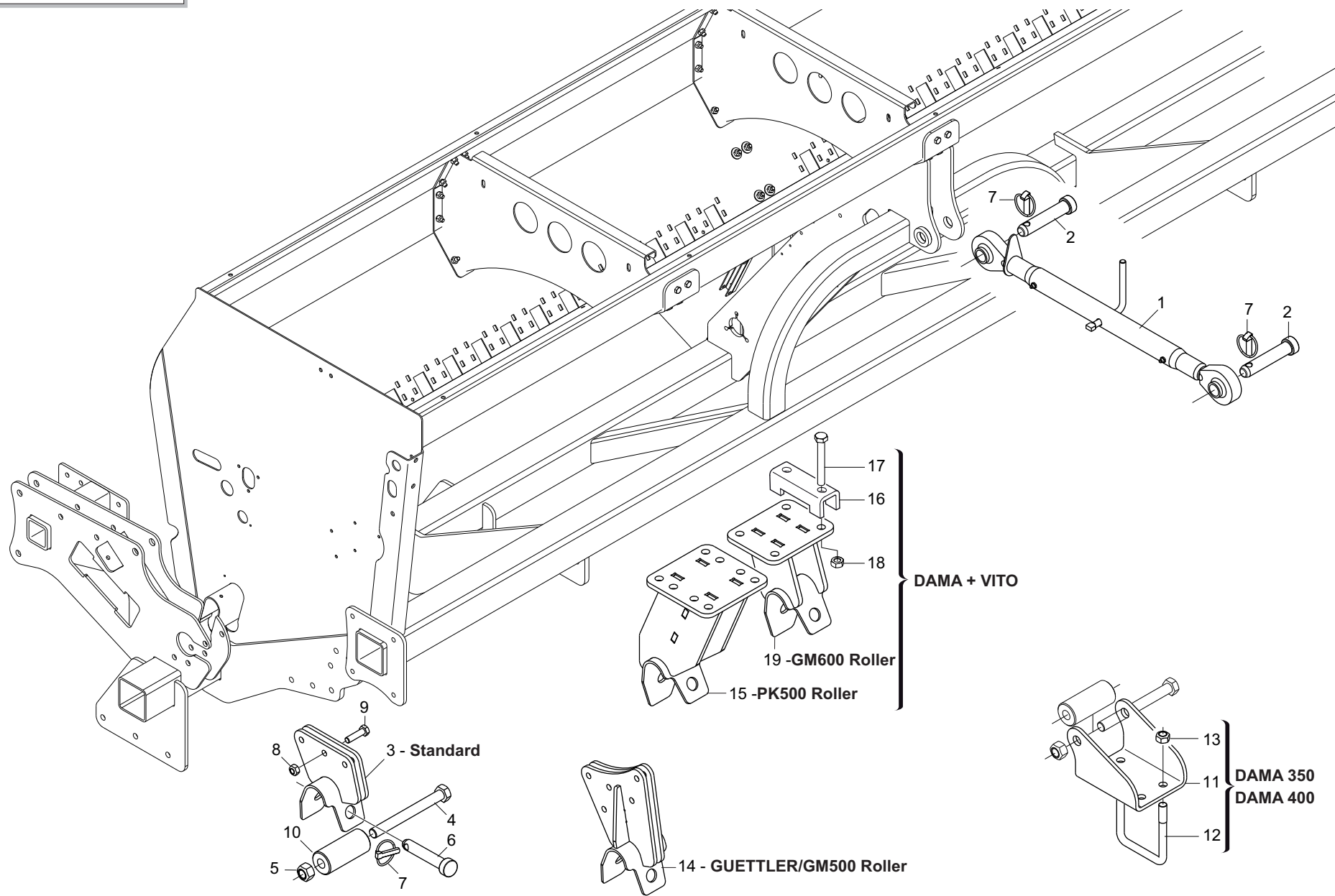
Pos.	Cod.	Descrizione	Description	Description	Benennung	Descripcion
1	G16314590	ASS.PUNTELLO SX DAMA				
2	G16314580	ASS.PUNTELLO DX DAMA				
3	G20970125	RONDELLA 28X2,5X6,5	WASHER 28X2-5X6-5	RONDELLE 28X2-5X6-5	UNTERLEGSCHIEBE 28X2-5X6-5	ARANDELA 28X2-5X6-5
4	F01020445	VITE M8X1,25X30 U5739 8.8 ZN	BOLT M8X30	VIS M8X30	SCHRAUBE M8X30	TORNILLO M8X30
5	F01220022	DADO M 8X1,25 D980 8 ZN	NUT M8X 1,25 D980 8 ZN	ECROU M8X 1,25 D980 8 ZN	MUTTER M8X 1,25 D980 8 ZN	TUERCA M8X 1,25 D980 8 ZN
6	F01420049	ROS.M8 8,4X 32X 2 U6593 ZN	WASHER M8 8,4X32X2 U6593 ZN	RONDELLA M8 8,4X32X2 U6593 ZN	SCHEIBE M8 8,4X32X2 U6593 ZN	ARANDELA M8 8,4X32X2 U6593 ZN
7	F02400027	MOLLA A GAS 600 N				
8	G16214690	CERNIERA DX COPERCHIO ZN				
9	G16214700	CERNIERA SX COPERCHIO ZN				
10	G16214720	FERMO COPERCHIO ZN				
11	F05150112	MANIGLIA INTERAS. 117 FORO 8MM	HANDLE	POIGNEE	HANDGRIFF	MANILLA
12	F01020427	VITE M 8X1,25X12 U5739 8.8 ZN	SCREW M8X 1,25X12 U5739 8.8 ZN	VIS 8X12 5739 8.G ZN	SCHRAUBE 8X12 5739 8.G ZN	TORNILLO 8X12 5739 8.G ZN
13	F01410051	ROS.M8 8,4X 17X1,6 U6592 ZN	WASHER M8 8,4X17X1,6 U6592 ZN	RONDEL. M8 8,4X17X1,6 U6592 ZN	SCHEIBE M8 8,4X17X1,6 U6592 ZN	ARANDELA M8 8,4X17X1,6 U6592ZN
14	F01020436	VITE M 8X1,25X20 U5739 8.8 ZN	SCREW M8X1,25X20 U5739 8.8 ZN	VIS M8X1,25X20 U5739 8.8 ZN	SCHRA. M8X1,25X20 U5739 8.8 ZN	TORN. M8X1,25X20 U5739 8.8 ZN
15	F05100145	TAPPO PLASTCA D.9 X FORO 10				
16	F01200244	DADO M 8X1,25 U5588 6.8 ZN	NUT M8 X1,25 U5588 6.8 ZN	ECROU M8 X1,25 U5588 6.8 ZN	MUTTER M8 X1,25 U5588 6.8 ZN	TUERCA M8 X1,25 U5588 6.8 ZN
17	F01020164	VITE M12X1,75X70 U5737 8.8 ZN	SCREW M12X1,75X70 U5737 8.8 ZN	VIS M12X1,75X70 U5737 8.8 ZN	SCHR. M12X1,75X70 U5737 8.8 ZN	TORN. M12X1,75X70 U5737 8.8 ZN
18	F01020403	VITE M6X1X16 U5739 8.8 ZN	SCREW M6X1X16 U5739 8.8 ZN	VIS M6X1X16 U5739 8.8 ZN	SCHRAUBE M6X1X16 U5739 8.8 ZN	TORNILLO M6X1X16 U5739 8.8 ZN
19	F01420036	ROS.M6 6,4X 18X 2 U6593 ZN	FLAT WASHER 6-6X 18X2 6593 ZN	ROND. PLATE 6-6X 18X2 6593 ZN	SCHEIBE 6-6X 18X2 6593 ZN	ARAND. PLANA 6-6X 18X2 6593 ZN
20	G07000130	ANGOLARE FLUIDITA' SEMENTI	SEED CHUTE L BAR	CORNIERE FLUIDITE GRAINES	SAATGUT FLUIDITZTZWINKEL	ANGULAR FLUIDEIZ SEMILLAS
21	F02050648	ANELLO BENZING-QUICKLOCK BQ7 >	BENZING-QUICKLOCK BQ7 RING	BAGUE BENZING-QUICKLOCK BQ7	RING BENZING-QUICKLOCK BQ7	ANILLO BENZING-QUICKLOCK BQ7
22	F01220011	DADO M 6X 1 D980 8 ZN	NUT M6X1 D980 8 ZN	ECROU M6X1 D980 8 ZN	MUTTER M6X1 D980 8 ZN	TUERCA M6X1 D980 8 ZN
23	G07000310	INDICE LIVELLO POS. VERTICALE	VERTICAL POSITION LEVEL INDEX	INDEX DE NIVEAU POS. VERTICAL	STANDANZEIGER VERTIKALE POSITI	NDICE NIVEL POSICIN VERTICALIN
24	F01200232	DADO M 6X 1 U5588 6.8 ZN	NUT 6 UNI 5588 6.8 GALVANIZED	ECROU 6 UNI 5588 6.8 ZN	MUTTER 6 UNI 5588 6.8 ZN	TUERCA 6 UNI 5588 6.8 ZN
25	G07000308	ASTA LIVELLO SEMENTI	SEED LEVEL ROD	TIGE DE NIVEAU DES GRAINES	SAATGUTMESS-STAB	VARILLA DE NIVEL SEMILLAS
26	G16314510	ASS.SUPPORTO TELAIO SU RULLO				
27	G07000309	GALLEGGIANTE	FLOAT	FLOTTEUR	SCHWIMMER	FLOTADOR
28	G19707112	TABELLA DI SEMINA NINA-DAMA				
29	G16214680	LAMIERA RINF.COPERCHIO 300				
30	G16214650	COPERCHIO NINA 300				
31	G16314220	ASS.TELAIO TRAMOGGIA DAMA	HOPPER FRAME ASSEMBLY DAMA	ESSIEU BATI TREMIE DAMA	EINHEIT TRICHTERRAHMEN DAMA	BASTIDOR TOLVA DAMA
32	F01220048	DADO M12X1,75 D980 8 ZN	NUT M12X1,75 D980 8 ZN	ECROU M12X1,75 D980 8 ZN	SCHEIBE M12X1,75 D980 8 ZN	TUERCA M12X1,75 D980 8 ZN
33	G89900500	KIT DECALCOMANIE -CE-	DECAL KIT -CE-	KIT DECALCOMANIE -CE- K	IT ABZIEHB. -CE- S	ET CALCOMANAS -CE-



**TELAIO TRAMOGGIA DAMA 250-300-350-400**

**TAV. 012**

Pos.	Cod.	Descrizione	Description	Description	Benennung	Descripcion
1	G16314590	ASS.PUNTELLO SX DAMA				
2	G16314580	ASS.PUNTELLO DX DAMA				
3	G20970125	RONDELLA 28X2,5X6,5	WASHER 28X2-5X6-5	RONDELLE 28X2-5X6-5	UNTERLEGSCHLEIBE 28X2-5X6-5	ARANDELA 28X2-5X6-5
4	F01020445	VITE M8X1,25X30 U5739 8.8 ZN	BOLT M8X30	VIS M8X30	SCHRAUBE M8X30	TORNILLO M8X30
5	F01220022	DADO M 8X1,25 D980 8 ZN	NUT M8X 1,25 D980 8 ZN	ECROU M8X 1,25 D980 8 ZN	MUTTER M8X 1,25 D980 8 ZN	TUERCA M8X 1,25 D980 8 ZN
6	F01420049	ROS.M8 8,4X 32X 2 U6593 ZN	WASHER M8 8,4X32X2 U6593 ZN	RONDELLA M8 8,4X32X2 U6593 ZN	SCHEIBE M8 8,4X32X2 U6593 ZN	ARANDELA M8 8,4X32X2 U6593 ZN
7	F02400027	MOLLA A GAS 600 N				
8	G16315440	STAFFA ROTAZ.COPERCHIO DX ZN				
9	G16315450	STAFFA ROTAZ.COPERCHIO SX ZN				
10	G16214721	STAFFA BLOCCO COPERCHIO ZN				
11	F05150112	MANIGLIA INTERAS. 117 FORO 8MM	HANDLE	POIGNEE	HANDGRIFF	MANILLA
12	F01020427	VITE M 8X1,25X12 U5739 8.8 ZN	SCREW M8X 1,25X12 U5739 8.8 ZN	VIS 8X12 5739 8.G ZN	SCHRAUBE 8X12 5739 8.G ZN	TORNILLO 8X12 5739 8.G ZN
13	F01410051	ROS.M8 8,4X 17X1,6 U6592 ZN	WASHER M8 8,4X17X1,6 U6592 ZN	RONDEL. M8 8,4X17X1,6 U6592 ZN	SCHEIBE M8 8,4X17X1,6 U6592 ZN	ARANDELA M8 8,4X17X1,6 U6592ZN
14	F01020436	VITE M 8X1,25X 20 U5739 8.8 ZN	SCREW M8X1,25X20 U5739 8.8 ZN	VIS M8X1,25X20 U5739 8.8 ZN	SCHRA. M8X1,25X20 U5739 8.8 ZN	TORN. M8X1,25X20 U5739 8.8 ZN
15	F05100145	TAPPO PLASTCA D.9 X FORO 10				
16	F01200244	DADO M 8X1,25 U5588 6.8 ZN	NUT M8 X1,25 U5588 6.8 ZN	ECROU M8 X1,25 U5588 6.8 ZN	MUTTER M8 X1,25 U5588 6.8 ZN	TUERCA M8 X1,25 U5588 6.8 ZN
17	F01020164	VITE M12X1,75X70 U5737 8.8 ZN	SCREW M12X1,75X70 U5737 8.8 ZN	VIS M12X1,75X70 U5737 8.8 ZN	SCHR. M12X1,75X70 U5737 8.8 ZN	TORN. M12X1,75X70 U5737 8.8 ZN
18	F01020403	VITE M6X1X16 U5739 8.8 ZN	SCREW M6X1X16 U5739 8.8 ZN	VIS M6X1X16 U5739 8.8 ZN	SCHRAUBE M6X1X16 U5739 8.8 ZN	TORNILLO M6X1X16 U5739 8.8 ZN
19	F01420036	ROS.M6 6,4X 18X 2 U6593 ZN	FLAT WASHER 6-6X 18X2 6593 ZN	ROND. PLATE 6-6X 18X2 6593 ZN	SCHEIBE 6-6X 18X2 6593 ZN	ARAND. PLANA 6-6X 18X2 6593 ZN
20	G07000130	ANGOLARE FLUIDITA' SEMENTI	SEED CHUTE L BAR	CORNIERE FLUIDITE GRAINES	SAATGUT FLUIDITZTZWINKEL	ANGULAR FLUIDEZ SEMILLAS
21	F02050648	ANELLO BENZING-QUICKLOCK BQ7 >	BENZING-QUICKLOCK BQ7 RING	BAGUE BENZING-QUICKLOCK BQ7	RING BENZING-QUICKLOCK BQ7	ANILLO BENZING-QUICKLOCK BQ7
22	F01220011	DADO M 6X 1 D980 8 ZN	NUT M6X1 D980 8 ZN	ECROU M6X1 D980 8 ZN	MUTTER M6X1 D980 8 ZN	TUERCA M6X1 D980 8 ZN
23	G07000310	INDICE LIVELLO POS. VERTICALE	VERTICAL POSITION LEVEL INDEX	INDEX DE NIVEAU POS. VERTICAL	STANDANZEIGER VERTIKALE POSITI	NDICE NIVEL POSICIN VERTICALIN
24	F01200232	DADO M 6X 1 U5588 6.8 ZN	NUT 6 UNI 5588 6.8 GALVANIZED	ECROU 6 UNI 5588 6.8 ZN	MUTTER 6 UNI 5588 6.8 ZN	TUERCA 6 UNI 5588 6.8 ZN
25	G07000308	ASTA LIVELLO SEMENTI	SEED LEVEL ROD	TIGE DE NIVEAU DES GRAINES	SAATGUTMESS-STAB	VARILLA DE NIVEL SEMILLAS
26	G16314510	ASS.SUPPORTO TELAIO SU RULLO				
27	G07000309	GALLEGGIANTE	FLOAT	FLOTTEUR	SCHWIMMER	FLOTADOR
28	G19707112	TABELLA DI SEMINA NINA-DAMA				
29	G16214680	LAMIERA RINF.COPERCHIO 300				
30	G16341280	LAMIERA RINF.COPERCHIO 350				
31	G16315240	LAMIERA RINF.COPERCHIO 400				
32	F01220048	DADO M12X1,75 D980 8 ZN	NUT M12X1,75 D980 8 ZN	ECROU M12X1,75 D980 8 ZN	SCHEIBE M12X1,75 D980 8 ZN	TUERCA M12X1,75 D980 8 ZN
33	G16315221	COPERCHIO TONDO 400				
34	G16214750	LAMIERA RINF.COPERCHIO 250				
35	G16314941	TELAIO-TRAMOGGIA 250 DAMA				
36	G16314221	TELAIO-TRAMOGGIA 300 DAMA				
37	G16315140	TELAIO-TRAMOGGIA 350 DAMA				
38	G16315031	TELAIO-TRAMOGGIA 400 DAMA				
39	G16214731	COPERCHIO NINA 250				
40	G16214651	COPERCHIO 300				
41	G16341261	COPERCHIO TONDO 350				
42	G89900500	KIT DECALCOMANIE -CE-	DECAL KIT -CE-	KIT DECALCOMANIE -CE- K	IT ABZIEHB. -CE- S	ET CALCOMANAS -CE-

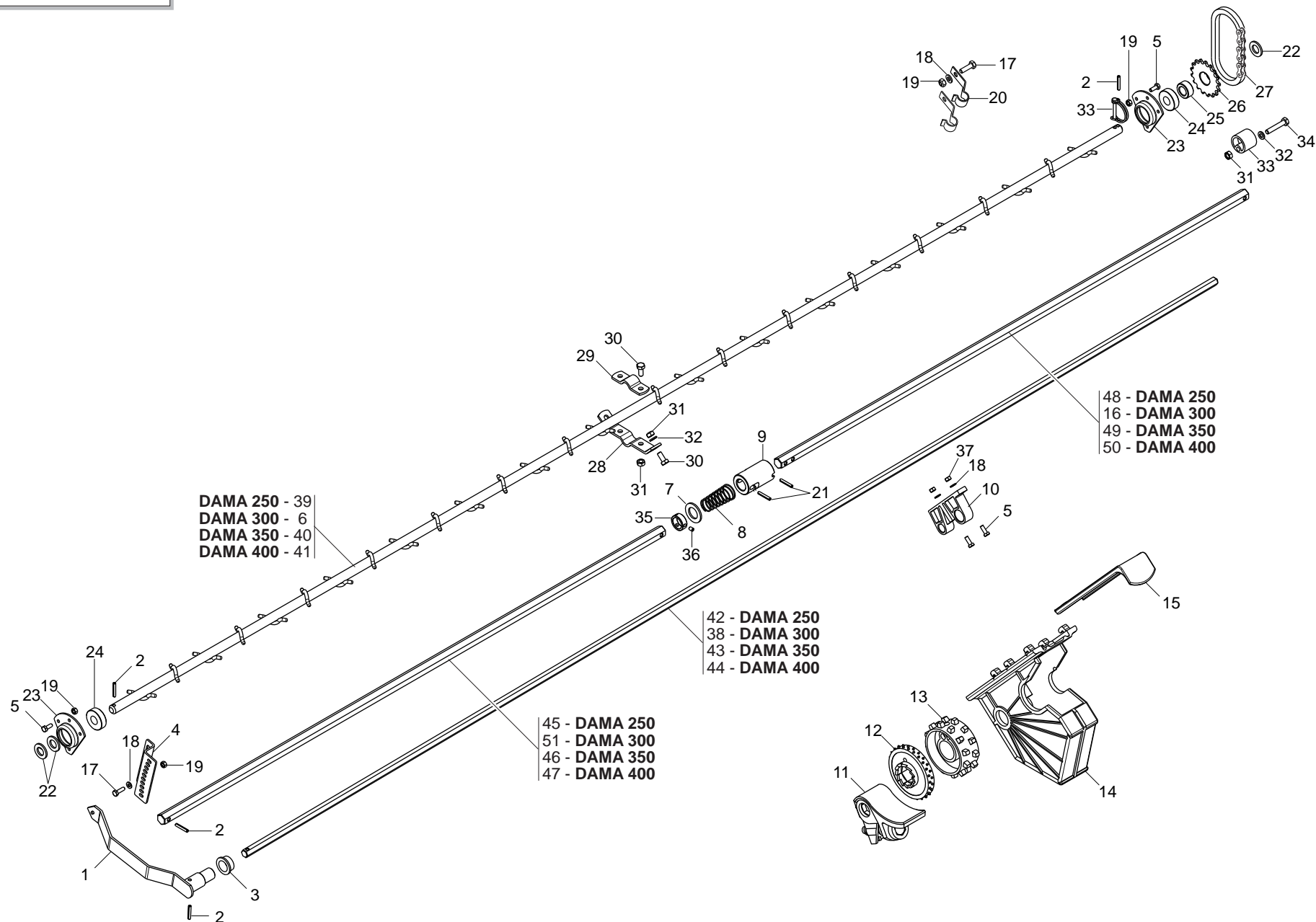




**COLLEGAMENTO SEMINATRICE / ERPICE**

**TAV. 180**

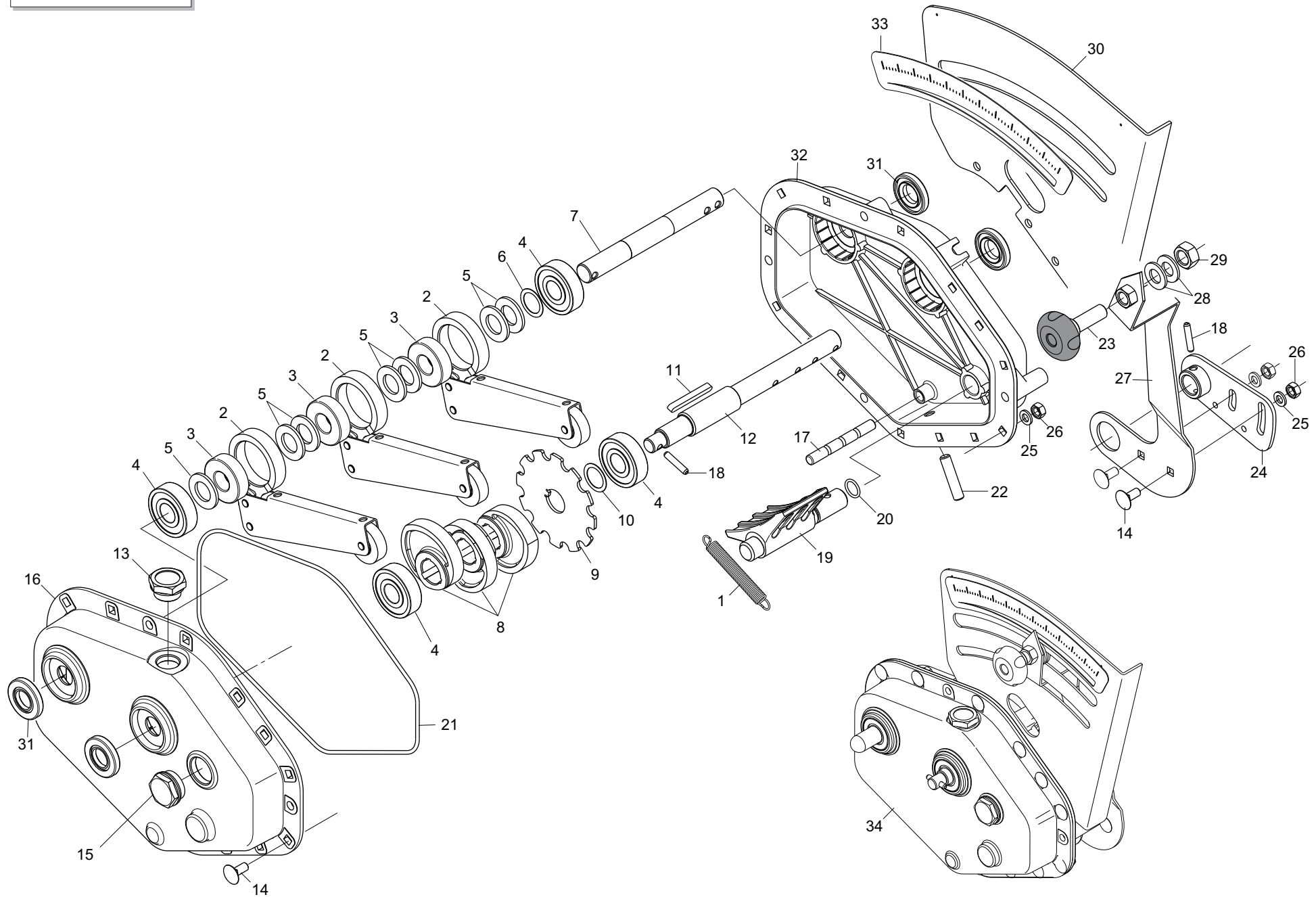
Pos.	Cod.	Descrizione	Description	Description	Benennung	Descripcion
1	F20300005	MART*M.L= 970 L= 650 D=25,5 ZN				
2	F20100119	PERNO D25 L108 C40 ZN				
3	G16314510	ASS.SUPPORTO TELAIO SU RULLO				
4	F01020322	VITE M20X2,5X190 U5737 10.9 ZD	SCREW M20X2,5X190 5737 10.9 ZN	VIS M20X2,5X190 5737 10.9 ZN	SCHRA.M20X2,5X190 5737 10.9 ZN	TORN. M20X2,5X190 5737 10.9 ZN
5	F01220092	DADO M20X 2,5 D980 8 ZN	NUT M20X 2,5 D980 8 ZN	ECROU M20X 2,5 D980 8 ZN	MUTTER M20X 2,5 D980 8 ZN	TUERCA M20X 2,5 D980 8 ZN
6	F20100047	PERNO D22 L108 C43 ZN	BOLT D22 L108 C43 ZN	GOUJON SUPPORT	BOLZEN	PERNO SOPORTE
7	F02200529	SPINA SCATTO D.11 ZN	SNAP PIN D.11	FICHE A DETENTE D.11	EINRASTSTIFT D.11	CLAVIJA DE MUELLE D.11
8	F01220048	DADO M12X1,75 D980 8 ZN	NUT M12X1,75 D980 8 ZN	ECROU M12X1,75 D980 8 ZN	SCHEIBE M12X1,75 D980 8 ZN	TUERCA M12X1,75 D980 8 ZN
9	F01020516	VITE M12X1,75X45 U5739 8.8 ZN	BOLT M12X45	VIS M 12X45	SCHRAUBE M 12X45	TORNILLO M 12X45
10	G16314800	BOCCOLA ROTAZIONE	BUSHING ROTATION	BOITE ROTATION	BUCHSE UMSCHWUNG	CASQUILLO ROTACION
11	G16315130	SUPPORTO CENTRALE SU RULLO				
12	F20110800	CAV.Q.M16X 2X 40 118X135 ZN	U BOLT M16X 2X 40 118X135 ZN	ATTEL.M16X 2X 40 118X135 ZB	VERBI.M16X 2X 40 118X135 ZB	PERNO M16X 2X 40 118X135 ZB
13	F01220266	DADO M16X 2 D980 8 ZN	NUT M16X 2 D980 8 ZN	ECROU M16X 2 D980 8 ZN	MUTTER M16X 2 D980 8 ZN	TUERCA M16X 2 D980 8 ZN
14	G16315370	SUPPORTO TELAIO X R.GUETTLER				
15	G16314900	SUPPORTO TELAIO SU RULLO PK500				
16	G36200241	SCONTRO U Q.80	FLANGE 'U' 80	BRIDE 'U' 80	ANSCHLAG 'U' 80	ELEMENTO DE EMPALME 'U' 80
17	F01020270	VITE M16X2X150 U5737 8.8 ZN	SCREW M16X 2X150 U5737 8.8 ZN	VIS M16X 2X150 U5737 8.8 ZN	SCHR. M16X 2X150 U5737 8.8 ZN	TORN. M16X 2X150 U5737 8.8 ZN
18	F01220266	DADO M16X 2 D980 8 ZN	NUT M16X 2 D980 8 ZN	ECROU M16X 2 D980 8 ZN	MUTTER M16X 2 D980 8 ZN	TUERCA M16X 2 D980 8 ZN
19	G16314870	SUPPORTO TELAIO SU RULLO GM600				



# DISTRIBUZIONE

TAV. 021

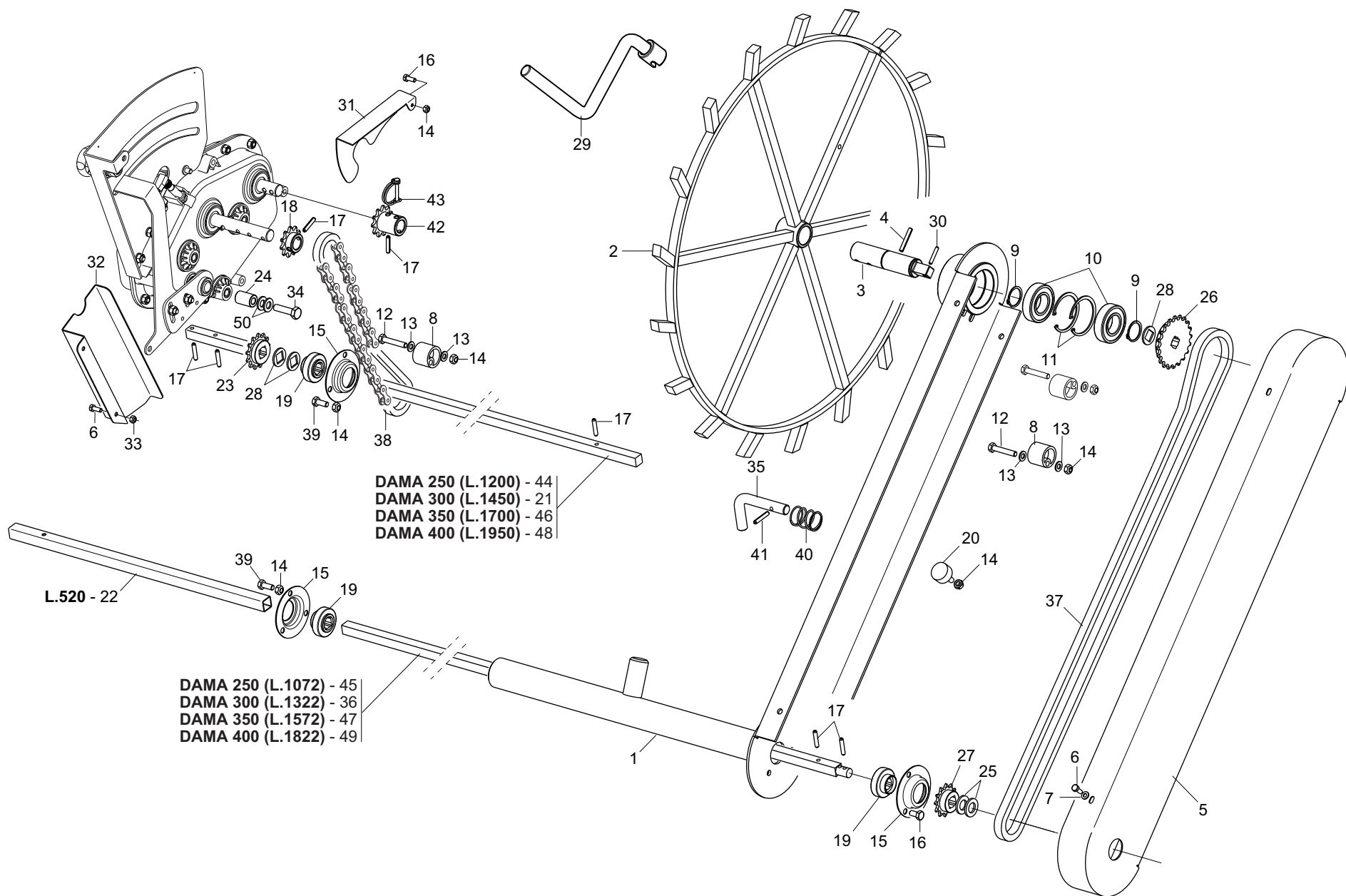
Pos.	Cod.	Descrizione	Description	Description	Benennung	Descripcion
1	G16221200	LEVAREGOL.TASTATORI	FEELER ADJUSTMENT LEVER	LEVIER REGLAGE TATEURS	TASTERREGULIERHEBEL	PALANCA REGULACIN PALPADORES M
2	F02100086	SPINA E.P. 5X 30 U6873 C70 BR	PIN EL. 5 X30 DIN 1481 ZN	FICHE EL. 5 X30 DIN 1481 ZN	SPANNSTIFT 5 X30 DIN 1481 ZN	CLAVIJA EL.5 X30 DIN 1481 ZN
3	F04100055	CUSC. RADENTE IGLIDUR 22X28X15				
4	G16220250	LEVAREGOLAZ.TASTATORI	FEELER ADJUSTING SQUARE *	LEVIER DE REGLAGE DES TATEURS	TASTERREGULIERWINKEL*	ESCUADRA DE REGULAC. DE PALPAD
5	F01020403	VITE M6X1X16 U5739 8.8 ZN	SCREW M6X1X16 U5739 8.8 ZN	VIS M6X1X16 U5739 8.8 ZN	SCHRAUBE M6X1X16 U5739 8.8 ZN	TORNILLO M6X1X16 U5739 8.8 ZN
6	G16221520	ALBERO MESCOLO NINA 300	MIX SHAFT NINA300	ARBRE MELANGEUR NINA300	MISCHERWELLE NINA300	EJE MEZCLADOR NINA300
7	F01410135	ROS.M22 23X 39X 3 U6592 ZN	WASHER M22 23X39X3 U6592 ZN	RONDELLE M22 23X39X3 U6592 ZN	SCHEIBE M22 23X39X3 U6592 ZN	ARANDELA M22 23X39X3 U6592 ZN
8	G65338039	MOLLA COMP.ZN INNESTO SP	ZN COUPLING COMP. SPRING SP	RESSORT COMPL. ZN ACCOUPLEM.	DRUCKFEDER ZN KUPPLUNG SP	MUELLE COMP.ZN ACOPLAMIENTO SP
9	G16221330	DISINNESTO ASSE DISTRIB. ZN				
10	G19003030	SUPPORTO ALBERI	SHAFTS SUPPORT	SUPPORT ARBRES	WELLENLAGER	SOPORTE EJES
11	G16220610	REGOLATORE	GOVERNOR	REGULATEUR	REGLER	REGULADOR
12	G19002380	RULLO A DENTI FINI	ROLLER- FINE TEETH M97	ROTOR PETITS ERGOTS	FEINGEZAHNTE ROLLE M97	RODILLO DE DIENTES FINOS M97
13	G16220600	RULLO DENTI COMBINATO	COMBINED TOOTH ROLLER	ROTOR GROS ERGOTS *	KOMBINIERTE ZAHNROLLE	RODILLO DIENTES COMBINADO
14	G19003014	SCATOLETTA DISTRIBUZIONE	DISTRIBUTION BOX			
15	G19003023	CURSORE REGOLAZ.APERTURA	APERTURE ADJUSTMENT SLIDER			
16	G16320460	ASSE DISTRIBUZIONE SX	RIGHT DISTRIBUT.SPINDLE	AXE DISTRIBUTEUR DRT.	RECHTE STREUERACHSE	EJE DISTRIBUIDOR DER.
17	F01020404	VITE M6X1X20 U5739 8.8 ZN	SCREW M 6X 1X20 U5739 8.8 ZN	VIS 6X20 5739 8.G ZN	SCHRAUBE 6X20 5739 8.G ZN	TORNILLO 6X20 5739 8.G ZN
18	F01410037	ROS.M6 6,4X12,5X1,6 U6592 ZN	PLANE WASHER D.6	RONDELLE D.6	SCHEIBE D.6	ARANDELA D.6
19	F01220011	DADO M 6X 1 D980 8 ZN	NUT M6X1 D980 8 ZN	ECROU M6X1 D980 8 ZN	MUTTER M6X1 D980 8 ZN	TUERCA M6X1 D980 8 ZN
20	G07002493	GANCIO SUPPORTO MANIGLIA M ZN	GALVAN. HANDLE SUPPORT HOOK M	CROCHET SUPPORT POIGNEE M ZN	HAKEN GRIFFHALTERUNG M ZN	GANCHO SOPORTE MANIJA M ZN
21	F02100091	SPINA E.P. 5X 45 U6873 C70 BR	PIN EL. .5 X45 DIN 1481	FICHE EL. 5 X45 DIN 1481	SPANNSTIFT 5 X45 DIN 1481	CLAVIJA EL.5 X45 DIN 1481
22	F01410100	ROS.M16 17X 30X 3 U6592 ZN	WASHER M16 17X30X3 U6592 ZN	RONDELLE M16 17X30X3 U6592 ZN	SCHEIBE M16 17X30X3 U6592 ZN	ARANDELA M16 17X30X3 U6592 ZN
23	G16220090	SUPPORTO CUSCINETTO	GALV.BEARING SUPPORT	SUPPORT PALIER ZN	LAGERBSCHSE ZN	SOPORTE COJINETE ZN
24	F04010161	CUSC.D17 D40 B12 6203 2RS EX	BEARING D17 D40 B12 6203 2RS	ROULEMENT 6203 2RS	LAGER 6203 2RS	COJINETE 6203 2RS SKF
25	G18801860	BOCCOLA 17,25X30 X14	BUSHING 17,25X30X14 GALV.	BOITE 17,25X30X14 ZN	BsCHSE 17,25X30X14 ZN	CASQUILLO 17,25X30X14 ZN
26	G16220100	INGRANAGGIO Z-17	GEAR Z.17	ENGRENAGE Z.17	ZAHNRAD Z.17	ENGRANAJE Z.17
27	F06080135	CATENA 1/2 ISO 084 28 MAGLIE	CHAIN 1/2 ISO 084 28 LINK			
28	G16221260	SUPPORTO INF.ALBERO AGITATORE				
29	G16220590	SUPPORTO MESCOLO	MIXER SUPPORT	SUPPORT MELANGEUR	HALTERUNG MISCHER	SOPORTE MEZCLADOR
30	F01020436	VITE M 8X1,25X 20 U5739 8.8 ZN	SCREW M8X1,25X20 U5739 8.8 ZN	VIS M8X1,25X20 U5739 8.8 ZN	SCHRA. M8X1,25X20 U5739 8.8 ZN	TORN. M8X1,25X20 U5739 8.8 ZN
31	F01220022	DADO M 8X1,25 D980 8 ZN	NUT M8X 1,25 D980 8 ZN	ECROU M8X 1,25 D980 8 ZN	MUTTER M8X 1,25 D980 8 ZN	TUERCA M8X 1,25 D980 8 ZN
32	F01410051	ROS.M8 8,4X 17X1,6 U6592 ZN	WASHER M8 8,4X17X1,6 U6592 ZN	RONDEL. M8 8,4X17X1,6 U6592 ZN	SCHEIBE M8 8,4X17X1,6 U6592 ZN	ARANDELA M8 8,4X17X1,6 U6592ZN
33	G66248207	TENDICATENA SPAND. SP-520	CHAIN TENSIONER	TENDEUR DE CHAINE EPAND. ENGR.	KETTENSANNER DsNGERSTR. SP-52	SENSOR DE CADENA ABON. SP-520
34	F01020072	VITE M 8X1,25X50 U5737 8.8 ZN	SCREW M8X1,25X50 U5737 8.8 ZN	VIS M8X1,25X50 U5737 8.8 ZN	SCHR. M8X1,25X50 U5737 8.8 ZN	TORN. M8X1,25X50 U5737 8.8 ZN
35	G16221510	FERMO ASSE DISTRIBUZIONE ZN	DISTRIBUTION ASSY			
36	F01050085	VITE M6X1X8 U5927	GRUB-SCREW 6X 8 UNI 5927	GOUJON 6X 8 UNI 5927	STIFT 6X 8 UNI 5927	TORNILLO SIN CABEZA 6X 8 UNI 5
37	F01200232	DADO M 6X 1 U5588 6.8 ZN	NUT 6 UNI 5588 6.8 GALVANIZED	ECROU 6 UNI 5588 6.8 ZN	MUTTER 6 UNI 5588 6.8 ZN	TUERCA 6 UNI 5588 6.8 ZN
38	G16220520	ASSE ESAG.14 X2550 ZN	HEX. SPINDLE 14x2550 GALVAN.	AXE HEXAGONAL 14x2550 ZN	SECHSK.ACHSE 14x2550 ZN	EJE HEXAGONAL 14x2550 ZN
39	G16220112	ASS.ALBERO MESCOLO NINA 250	MIX SHAFT NINA250	ARBRE MELANGEUR NINA250	MISCHERWELLE NINA250	EJE MEZCLADOR NINA250
40	G16315290	ALBERO MESCOLO 350				
41	G16220561	ASS.ALBERO MESCOLO NINA 400	MIX SHAFT NINA400	ARBRE MELANGEUR NINA400	MISCHERWELLE NINA400	EJE MEZCLADOR NINA400
42	G16220510	ASSE ESAG.14 X2050 ZN	HEX. SPINDLE 14x2050 GALVAN.	AXE HEXAGONAL 14x2050 ZN	SECHSK.ACHSE 14x2050 ZN	EJE HEXAGONAL 14x2050 ZN
43	G16330990	ASSE ESAG.14 X3050 ZN				
44	G16220530	ASSE ESAGONALE 14X3550 ZN	HEX. SPINDLE 14x3550 GALVAN.	AXE HEXAGONAL 14x3550 ZN	SECHSK.ACHSE 14x3550 ZN	EJE HEXAGONAL 14x3550 ZN
45	G16221430	ASSE DISTRIBUZIONE DX.ZN	RIGHT DISTRIBUT.SPINDLE	AXE DISTRIBUTEUR DRT.	RECHTE STREUERACHSE	EJE DISTRIBUIDOR DER.
46	G16315320	ASSE DISTRIBUZIONE 350 DX ZN				
47	G16315420	ASSE DISTRIBUZIONE 400 SX ZN				
48	G16221440	ASSE DISTRIBUZIONE SX ZN	LEFT DISTRIBUT.SPINDLE	AXE DISTRIBUTEUR GCH.	LINKE STREUERACHSE	EJE DISTRIBUIDOR IZQ.
49	G16315310	ASSE DISTRIBUZIONE 350 SX ZN				
50	G16315430	ASSE DISTRIBUZIONE 400 DX ZN				
51	G16320450	ASSE DISTRIBUZIONE DX	LEFT DISTRIBUT.SPINDLE	AXE DISTRIBUTEUR GCH.	LINKE STREUERACHSE	EJE DISTRIBUIDOR IZQ.



# TRASMISSIONE E CAMBIO

TAV. 031

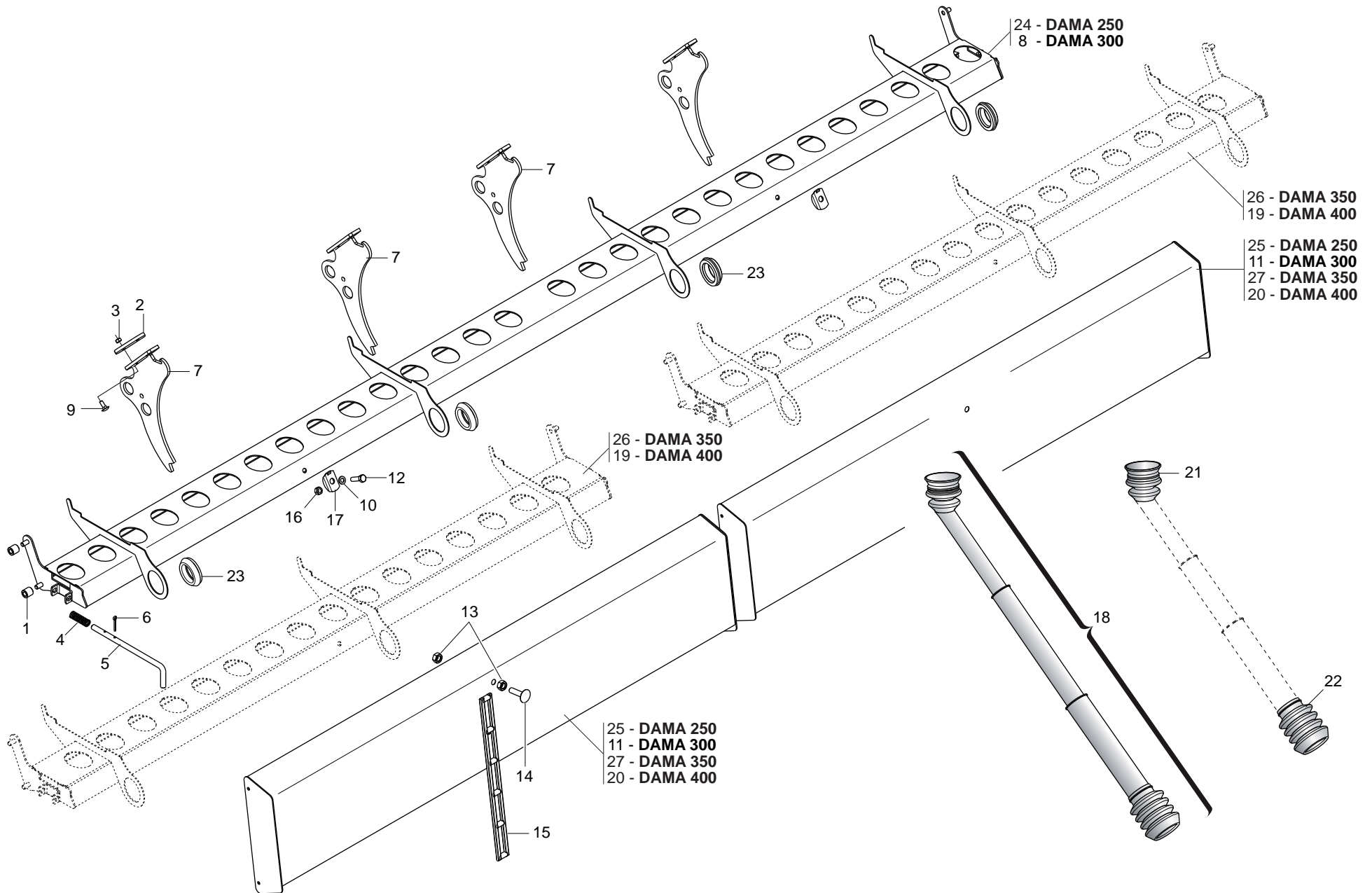
Pos.	Cod.	Descrizione	Description	Description	Benennung	Descripcion
1	G18903290	MOLLA TRAZ.CAMBIO M	TRACTION SPRING- GEARS M	RESSORT TRACT. BOITE VITESSE M	ZUGFEDER GETRIEBE M	MUELLE TRAC. CAMBIO M
2	G07000006	RIBADITURA BIELLA	CONNECTING ROD RIVETING	RIVETAGE BIELLE	PLEUEL EINNIETEN	REMACHADO BIELA
3	F06120065	RUOTA LIBERA KK20	FREE WHEEL KK20	ROUE LIBRE KK20	FREILAUF KK20	RUEDA LOCA KK20
4	F04010207	CUSC.D20 D52 B15 6304 Z	BEARING D20 D52 B15 6304 Z			
5	F01410124	ROS.M20 21X 37X 3 U6592 ZN	WASHER M20 21X37X3 U6592 ZN	RONDELLE M20 21X37X3 U6592 ZN	SCHEIBE M20 21X37X3 U6592 ZN	ARANDELA M20 21X37X3 U6592 ZN
6	G20970100	RONDELLA 30X0,5X22 ACC.	WASHER 30X0-5X22 ACC.	RONDELLE 30X0-5X22 ACIER	UNTERLEGSSCHEIBE 30X0-5X22 ACC.	ARANDELA 30X0-5X22 ACC.
7	G16230530	ALBERO RUOTA LIBERA C.PLA BON.	FREE-WHEEL SHAFT	ARBRE ROUE LIBRE	LOSRADWELLE	LOSRADWELLE
8	G07000014	CAMMA CAMBIO BAGNO OLIO	OIL BATH GEARBOX CAM	CAME BOITE DE VIT. BAIN HUILE	NOCKEN GETRIEBE TLBAD	LEVA CAMBIO BA%O ACEITE
9	G16230520	RUOTA FONICA				
10	F01440079	ROND.RASAM.26,2X34,8X0,5 IX	WASHER D.26,2X34,8X0,5	RONDELLE D.26,2X34,8X0,5	UNTERLEGSSCHEIBE D.26,2X35X0,5	ARANDELA D.26,2X34,8X0,5
11	F02150040	LINGUETTA 6X 6X 55 U6604A	PARALLEL KEY 6X 6X 55 U6604A	LANGUETTE 06X6X55 UNI 6604/A	FEDERKEIL 06X6X55 UNI 6604/A	LENGsETA 06X6X55 UNI 6604/A
12	G16230540	ALBERO CAMMES CAMBIO PLA	CAM SHAFT	ARBRE A CAMES	NOCKENWELLE	EJE DE LEVAS
13	F03150706	TAPPO OLIO 3/4" MODELLO TC/6				
14	F01060040	VITE M8X1,25X20 U5732 4.6 ZG	SCREW M8X1,25X20 U5732 4.6 ZN	VIS M8X1,25X20 U5732 4.6 ZN	SCHRA. M8X1,25X20 U5732 4.6 ZN	TORN. M8X1,25X20 U5732 4.6 ZN
15	F03150736	TAPPO LIVELLO M30X1,5 HFE 22	OIL LEVEL PLUG M30X1,5 HFE 22	BOUCHON NIV. M30X1-5 HFE 22	STANDSCHRAUBE M30X1-5 HFE 22	TAPN NIVEL M30X1-5 HFE 22 D
16	G19005720	COPERCHIO CAMBIO				
17	G16230550	PERNO SUPPORTO MOLLE				
18	F02100114	SPINA E.P. 6X 30 U6873 C70 BR	ELASTIC PIN 6X30	GOUJON ELASTIQUE 6X30	SPANNHUELSE 6X30	ESPINA ELASTICA 6X30
19	G16230560	REGOLATORE CAMBIO				
20	F03010390	ANELLO OR 15,08X2,26 NBR	O-RING 15,08X2,26 NBR	GARNITURE OR 15,08X2,26 NBR	DICHTUNG OR 15,08X2,26 NBR	JUNTA OR 15,08X2,26 NBR
21	F03010721	ANEL. OR 247,24X3,53 NBR	SEALING RING 247,24X3,53 NBR	BAGUE D'ETANCHEITE 247,24X3,53	DICHTUNGSRING 247,24X3,53	ANILLO AISLADOR 247,24X3,53
22	F01050104	VITE M10X1,5X45 U5927 14.9 BR	GRUB--SCREW 10X45 5927 14.9	GOUJON 10X45 5927 14.9	STIFT 10X45 UNI 5927 14.9	TORNILLO SIN CABEZA 10X45 5927
23	F06220014	VOLANTINO 8 LOBI M12X40 SX	8-LOBE HANDWHEEL M12X40 LEFT	VOLANT 8 LOBES M12X40 GCH	HANDRAD 8 BUCKEL M12X40 LINKS	VOLANTE 8 LOBI M12X40 IZQ
24	G16230590	ASS.SUPP.LEVA REGOLAZIONE ZN				
25	F01410051	ROS.M8 8,4X 17X1,6 U6592 ZN	WASHER M8 8,4X17X1,6 U6592 ZN	RONDEL. M8 8,4X17X1,6 U6592 ZN	SCHEIBE M8 8,4X17X1,6 U6592 ZN	ARANDELA M8 8,4X17X1,6 U6592ZN
26	F01200244	DADO M 8X1,25 U5588 6.8 ZN	NUT M8 X1,25 U5588 6.8 ZN	ECROU M8 X1,25 U5588 6.8 ZN	MUTTER M8 X1,25 U5588 6.8 ZN	TUERCA M8 X1,25 U5588 6.8 ZN
27	G16230611	LEVA REGOLAZIONE ZN				
28	F01410076	ROS.M12 13X 24X2,5 U6592 ZN	WASHER D12 U6592 ZN	RONDELLE D12 U6592 ZN	SCHEIBE D12 U6592 ZN	ARANDELA D12 U6592 ZN
29	G16230360	DADO M12X1,75 SX AUTOB.	M12X1,75 LEFT SELF-LOCK NUT	ECROU M12X1,75 GCH AUTOBLOCANT	MUTTER M12X1,75 LINKS SELBSTSP	TUERCA M12X1,75 IZ. AUTO.
30	G16230571	SUPPORTO REGOLAZIONE ZN				
31	F03010257	ANEL. T.AS 20X 42X 7 D3760NBR	SEALING RING 20X 42X 7	BAGUE D'ETANCHEITE 20X 42X 7	DICHTUNGSRING 20X 42X 7	ANILLO AISLADOR 20X 42X 7
32	G19005710	SCATOLA CAMBIO				
33	G19703421	DECAL.REGOLAZ.CAMBIO PLA				
34	G16230511	SCATOLA CAMBIO SEME PLA COMPL				



# TRASMISSIONE

TAV. 041

Pos.	Cod.	Descrizione	Description	Description	Benennung	Descrpcion
1	G16034381	ASS.BRACCIO X RUOTA TRASMISS.				
2	G16030520	RUOTA DI TRASMISSIONE	TRANSMISSION WHEEL	ROUE ENTRAINEMENT	ANTRIEBSRAD	RUEDA DE TRANSMISIN R
3	G16030511	ALBERO RUOTA TRASMISSIONE ZN	GALVAN. DRIVE-WHEEL SHAFT	ARBRE ROUE TRANSMISSION ZN	ANTRIEBSRADWELLE	EJE RUEDA TRANSMISIN ZN A
4	F02100121	SPINA E.P. 6X 40 U6873 C70 BR	ELASTIC PIN 6X40	GOUJON ELASTIQUE 6X40	SPANNHUELSE 6X40	PASADOR 6X40
5	G16034350	CARTER RUOTA TRASMISSIONE	TRANSMISSION CASE	CARTER DE TRANSMISSION	ANTRIEBSGEHUSE	CARTER DE TRANSMISION
6	F01020403	VITE M6X1X16 U5739 8.8 ZN	SCREW M6X1X16 U5739 8.8 ZN	VIS M6X1X16 U5739 8.8 ZN	SCHRAUBE M6X1X16 U5739 8.8 ZN	TORNILLO M6X1X16 U5739 8.8 ZN
7	F01410037	ROS.M6 6,4X12,5X1,6 U6592 ZN	PLANE WASHER D.6	RONDELLE D.6	SCHEIBE D.6	ARANDELA D.6
8	G66248207	TENDICATENA SPAND. SP-520	CHAIN TENSIONER	TENDEUR DE CHAINE EPAND. ENGR.	KETTENSPELLER DsNGERSTR. SP-52	TENSOR DE CADENA ABON. SP-520
9	F02050112	ANELLO E. DE 30X 1,5 U7435 C70	SEEGER RING 30X 1,5 U7435 C70	SEEGER E. 30 X 1,5 U7435 C70	SEEGERING E. 30X 1,5 U7435 C70	ANILLO E. 30 X 1,5 U7435 C70
10	F04010174	CUSC.D30 D62 B16 6206 2RS	BEARING D30 D62 B16 6206 2RS	PALIER 6206 2RS	LAGER 6206 2RS	COJINETE 6206 2RS
11	F02050392	ANELLO E. DI 62X 2 U7437 C70	SEEGER RING E. 62X 2 U7437 C70	SEEGER E. 62X 2 U7437 C70	SEEGERING E. 62X 2 U7437 C70	ANILLO E. 62 X 2 U7437 C70
12	F01020072	VITE M 8X1,25X50 U5737 8.8 ZN	SCREW M8X1,25X50 U5737 8.8 ZN	VIS M8X1,25X50 U5737 8.8 ZN	SCHR. M8X1,25X50 U5737 8.8 ZN	TORN. M8X1,25X50 U5737 8.8 ZN
13	F01410051	ROS.M8 8,4X 17X1,6 U6592 ZN	WASHER M8 8,4X17X1,6 U6592 ZN	RONDEL. M8 8,4X17X1,6 U6592 ZN	SCHEIBE M8 8,4X17X1,6 U6592 ZN	ARANDELA M8 8,4X17X1,6 U6592ZN
14	F01220022	DADO M 8X1,25 D980 8 ZN	NUT M8X 1,25 D980 8 ZN	ECROU M8X 1,25 D980 8 ZN	MUTTER M8X 1,25 D980 8 ZN	TUERCA M8X 1,25 D980 8 ZN
15	G22230094	SUPPORTO CUSCINETTO	BEARING SUPPORT	SUPPORT PALIER	LAGERBSCHSE	SOPORTE COJINETE
16	F01020432	VITE M 8X1,25X16 U5739 8.8 ZN	SCREW M8X 1.25X16 U5739 8.8 ZN	VIS M 8X16	SCHRAUBE M 8X16	TORNILLO M 8X16
17	F02100114	SPINA E.P. 6X 30 U6873 C70 BR	ELASTIC PIN 6X30	GOUJON ELASTIQUE 6X30	SPANNHUELSE 6X30	ESPINA ELASTICA 6X30
18	G16230040	PIGNONE Z-11 ZN	GEAR Z.11 GALVANIZED	PIGNON Z 11 ZN	RITZEL Z 11 ZN	PI $\frac{1}{2}$ N Z 11 ZN P
19	G14830390	CUSCINETTO FORO QUADRO	SQUARE-HOLED BEARING	ROULEMENT AL+SAGE CARR+	VIERKANTLAGER	COJINETE ORIFICIO CUADRADO
20	F05150456	PARACOLPI 30X15 M8X25	BUFFER 30X17 M8X21	PARE-CHOCS 30X17 M8X21	STOSSDZMPFER 30X17 M8X21	PARAGOLPES 30X17 M8X21
21	G16330930	ASSE QUADRO CENTRALE				
22	G16330940	ASSE TELESCOPICO TRASMISSIONE				
23	G15131050	PIGNONE Z13	Z-13 PINION	PIGNON Z13	RITZEL Z-13	PI $\frac{1}{2}$ N Z13 P
24	G17920580	BOCCOLA 10,25X20X30 ZN	BUSHING 10,25X20X30 ZN	BOITE 10,25X20X30 ZN	BUCHSE 10,25X20X30 ZN	CASQUILLO 10,25X20X30 ZN
25	F01410100	ROS.M16 17X 30X 3 U6592 ZN	WASHER M16 17X30X3 U6592 ZN	RONDELLE M16 17X30X3 U6592 ZN	SCHEIBE M16 17X30X3 U6592 ZN	ARANDELA M16 17X30X3 U6592 ZN
26	G07002669	INGRANAGGIO R.L. Z-20 DX	FREE WHEEL GEAR Z-20 LEFT	ENGRENAGE ROUE LIBRE Z-20 GCH	ZAHNRAD FREILAUF Z-20 LINKER	ENGRANAJE R.LIBRE Z-20 IZQ
27	G20860086	INGRANAGGIO 1/2 Z-12 F.Q.	GEAR 1/2 Z-12 F.Q.	ENGRENAGE 1/2 Z-12 TROUS CARRE	ZAHNRAD 1/2 Z-12 F.Q.	ENGRANAJE 1/2 Z-12 F.Q.
28	G18701650	RONDELLA FORO QUADRO ZN	WASHER 16,5X30X2,5 ZN	RONDELLE 16,5X30X2,5 ZN	UNTERLEGSCHSEIBE 16,5X30X2,5 ZN	ARANDELA 16,5X30X2,5 ZN
29	G07000428	MANICO CAMBIO *				
30	F02100087	SPINA E.P. 5X 30 U6873 C70 BR	PIN EL. 5 X30 DIN 1481	FICHE EL. 5 X30 DIN 1481	SPANNSTIFT 5 X30 DIN 1481	CLAVIJA EL.5 X30 DIN 1481
31	G16230081	CARTER AGITATORE ZN				
32	G16330950	CARTER COPRICATENA				
33	F01220011	DADO M 6X 1 D980 8 ZN	NUT M6X1 D980 8 ZN	ECROU M6X1 D980 8 ZN	MUTTER M6X1 D980 8 ZN	TUERCA M6X1 D980 8 ZN
34	F01020484	VITE M10X1,5X45 U5739 8.8 ZN	SCREW M10X 1,5X45 U5739 8.8 ZN	VIS 10X45 5739 8.G ZN	SCHRAUBE 10X45 5739 8.G ZN	TORNILLO 10X45 5739 8.G ZN
35	G16314490	PERNO BLOCCO RUOTA ZN				
36	G16034430	ALBERO TRASMISSIONE L.1300	TRANSMISSION SHAFT L.1300	ARBRE DE TRANSMISSION L.1300	ANTRIEBSWELLE L.1300	ARBOL DE TRANSMISION L.1300
37	F06080129	CATENA 1/2 ISO 084 146 MAGLIE	CHAIN 1/2-3/16 ISO 084-1 146LI	CHAINE 1/2-3/16 ISO 084-1 146M	KETTE 1/2-3/16 ISO 084-1 146GL	CADENA 1/2-3/16 ISO 084-1 146E
38	F06080034	CATENA 1/2 ISO 083 68 MAGLIE	CHAIN.1/2 ISO 083 68 LINKS	TR. CH.1/2 ISO 083 68 MAILLES	KETTENZNGE 1/2 ISO 083 68 GL	TRECHO CADENA 1/2ISO 083 68 E
39	F01020436	VITE M 8X1,25X 20 U5739 8.8 ZN	SCREW M8X1,25X20 U5739 8.8 ZN	VIS M8X1,25X20 U5739 8.8 ZN	SCHRA. M8X1,25X20 U5739 8.8 ZN	TORN. M8X1,25X20 U5739 8.8 ZN
40	G18900381	MOLLA COMP.ZN SPINGIDISCO				
41	F02100121	SPINA E.P. 6X 40 U6873 C70 BR	ELASTIC PIN 6X40	GOUJON ELASTIQUE 6X40	SPANNHUELSE 6X40	PASADOR 6X40
42	G16230060	PIGNONE Z11 ZN	PINION Z 11	PIGNON Z 11	RITZEL Z 11	PI $\frac{1}{2}$ N Z 11 P
43	F02200595	SPINOTTO X INGRANAGGIO	PIN X GEAR			
44	G16330960	ASSE QUADRO CENTRALE L.1200				
45	G16330970	ASSE TRASMISSIONE L.1050				
46	G16315250	ASSE QUADRO CENTRALE L.1700				
47	G16315270	ALBERO TRASMISSIONE L=1572				
48	G16315260	ASSE QUADRO CENTRALE L.1950				
49	G16315280	ALBERO TRASMISSIONE L=1822				
50	F01420060	ROS.M10 10,5X 30X2,5 U6593 ZN	WASHER 10,5X30	RONDELLE 10,5X30	SCHEIBE 10,5X30	ARANDELA 10,5X30

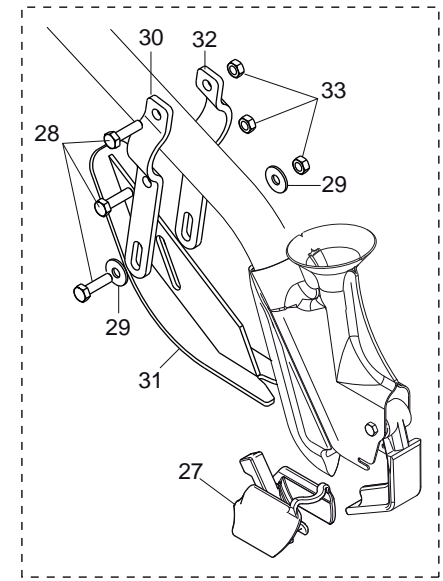
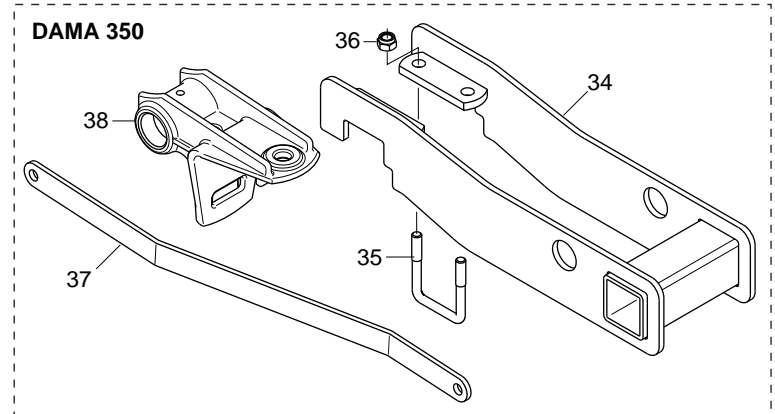
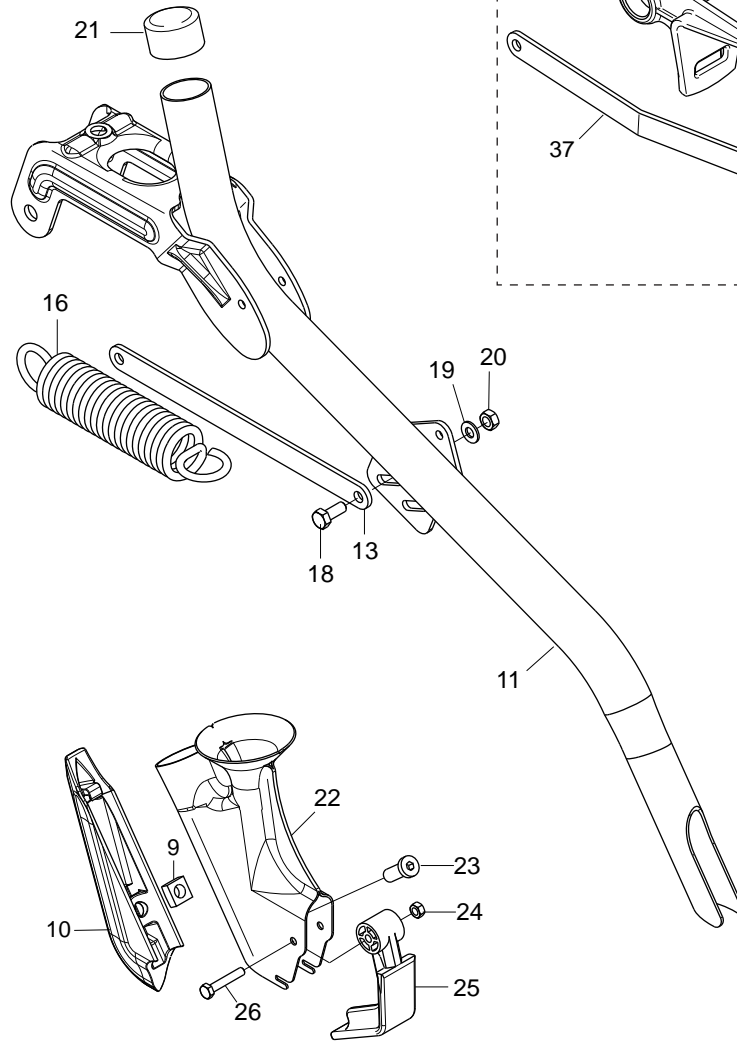
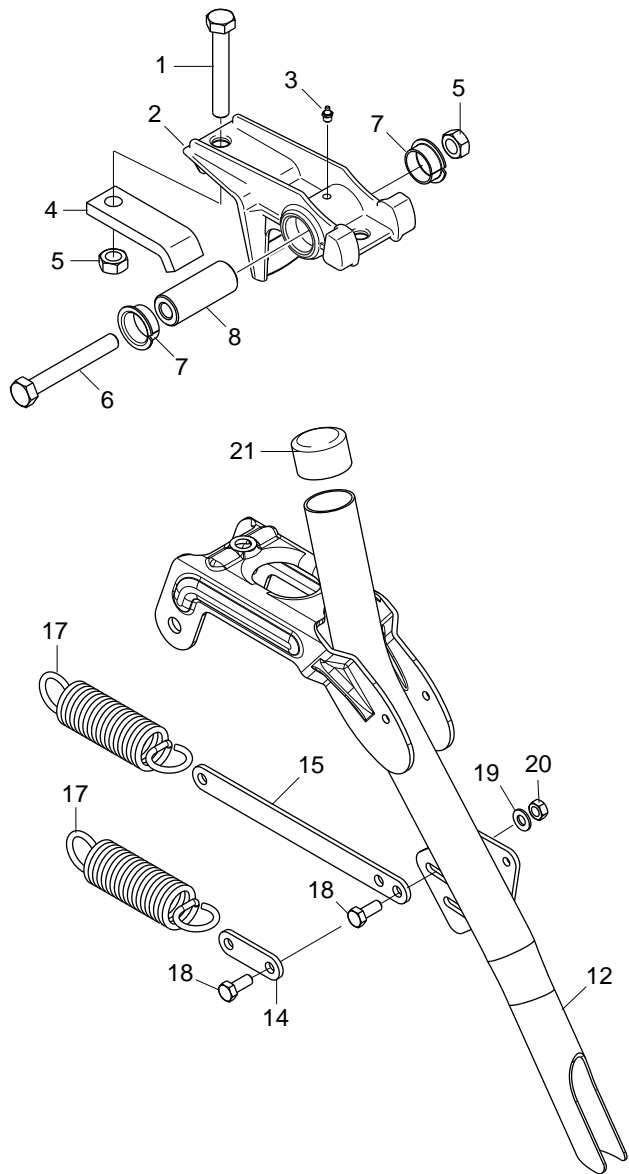




# VASCHETTE SCARICO SEMI

TAV. 051

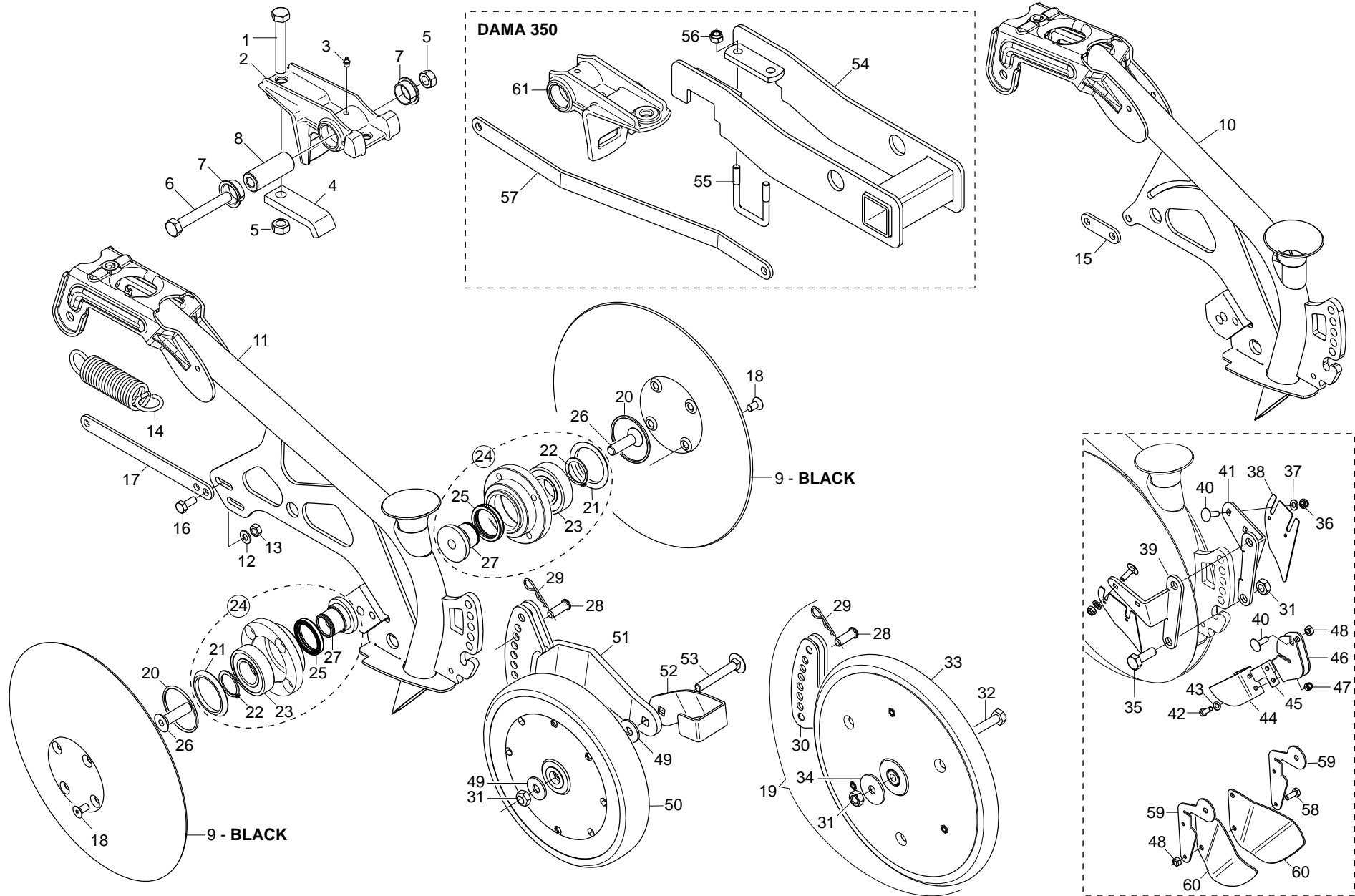
Pos.	Cod.	Descrizione	Description	Description	Benennung	Descripcion
1	G18803050	BOCCOLA 8,5X16X16 PL				
2	G16313831	RINFORZO SUPPORTO TRAMLINE				
3	F01200232	DADO M 6X 1 U5588 6.8 ZN	NUT 6 UNI 5588 6.8 GALVANIZED	ECROU 6 UNI 5588 6.8 ZN	MUTTER 6 UNI 5588 6.8 ZN	TUERCA 6 UNI 5588 6.8 ZN
4	G18904060	MOLLA CHIAVISTELLO BUSSOLIERA	SPRING	RESSORT	FEDER	MUELLE
5	G16341130	CHIAVISTEL.BLOCCO BUSSOLIER.ZN				
6	F02200162	COPIGLIA 3X 20 U1336 ZN	SPLIT PIN 3 X20 1336 GALVAN.	GOUPILLE 3 X20 1336 ZN	SPLINT 3 X20 1336 ZN	PASADOR 3 X20 1336 ZN
7	G16320673	SUPPORTO ALBERO TRAMLINE				
8	G16221282	ASS.BUSSOLIERA 300	DL BUSH HOUSING SHAFT 300	ASS.PORTE-DOUILLES 300	MONTLOCHPLATTE 300	ENS. TRAVESADO PERFORADO 300
9	F01060015	VITE M6X1X25 U5732 4.6 ZN	BOLT 6X25 5732 4.6 GALVANIZED	VIS 6X25 5732 4.6 ZN	SCHRAUBE 6X25 5732 4.6 ZN	TORNILLO 6X25 5732 4.6 ZN
10	F01410051	ROS.M8 8,4X 17X1,6 U6592 ZN	WASHER M8 8,4X17X1,6 U6592 ZN	RONDEL. M8 8,4X17X1,6 U6592 ZN	SCHEIBE M8 8,4X17X1,6 U6592 ZN	ARANDELA M8 8,4X17X1,6 U6592ZN
11	G16221250	VASCHETTA PROVA SEMINA	HOPPER SOWING TEST	TREMI ASSAIE ENSEM.	TRICHTER SAATPROBE	TOLVA PRUEBA SIEMBRA
12	F01020440	VITE M 8X1,25X25 U5739 8.8 ZN	BOLT M8X1,25X25 U5739 8.8 ZN	VIS M8X1,25X25 U5739 8.8 ZN	SCHRA. M8X1,25X25 U5739 8.8 ZN	TORNIL.M8X1,25X25 U5739 8.8 ZN
13	F01200270	DADO M10X 1,5 U5588 6.8 ZN	NUT M10X 1,5 U5588 6.8 ZN	ECROU M10X 1,5 U5588 6.8 ZN	MUTTER M10X 1,5 U5588 6.8 ZN	TUERCA M10X 1,5 U5588 6.8 ZN
14	F01060076	VITE M10X1,5X40 U5732 4.6 BR	SCREW M10X1,5X40 U5732 8.8 ZN	VIS M10X 1,5X40 U5732 8.8 ZN	SCHR. M10X 1,5X40 U5732 8.8 ZN	TORN. M10X 1,5X40 U5732 8.8 ZN
15	F06080487	CATENA AGGANCIO TELO IN GOMMA	RUBBER FRAME CONNECTION CHAIN	CHA+NE ACCROCHAGE TOILE EN CAO	KETTE BEFESTIGUNG GUMMITUCH	CADENA ENGANCHE LONA DE CAUCHO
16	F01220022	DADO M 8X1,25 D980 8 ZN	NUT M8X 1,25 D980 8 ZN	ECROU M8X 1,25 D980 8 ZN	MUTTER M8X 1,25 D980 8 ZN	TUERCA M8X 1,25 D980 8 ZN
17	G16040130	RONDELLA FERMO DENTE ZN	STOP WASHER	RONDELLE D'ARRET	FESTSTELLSCHEIBE	ARANDELA DE BLOQUEO
18	G16341180	TUBO TELESCOP.L=645-1312 COMPL				
19	G16221501	ASS.BUSSOLIERA 400	DL BUSH HOUSING SHAFT 400	ASS.PORTE-DOUILLES 400	MONTLOCHPLATTE 400	ENS. TRAVESADO PERFORADO 400
20	G16221480	VASCHETTA PROVA SEMINA 400	HOPPER SOWING TEST 400	TREMI ASSAIE ENSEM. 400	TRICHTER SAATPROBE 400	TOLVA PRUEBA SIEMBRA 400
21	G07000127	CUFFIA SUP.TUBO TELESCOPICO	TELESCOPIC PIPE SUPP. HOUSING	PROTECTEUR SUP. TUBE TELESCOPI	OB. KASTEN TELESKOPROHR	ENVOLTURA SUP. TUBO TELESCOPIC
22	G07000126	CUFFIA ATTACCO SCARPETTA	SLIDE LINKAGE HOUSING	PROTECTEUR FIXATION SABOT	FALTENBALG	ENVOLTURA CONEXIN GUA APOYO GL
23	G16221580	PROTEZIONE MANIGLIA				
24	G16221402	ASS.BUSSOLIERA 250	DL BUSH HOUSING SHAFT 250	ASS.PORTE-DOUILLES 250	MONTLOCHPLATTE 250	ENS. TRAVESADO PERFORADO 250
25	G16221420	VASCHETTA PROVA SEMINA	HOPPER SOWING TEST	TREMI ASSAIE ENSEM.	TRICHTER SAATPROBE	TOLVA PRUEBA SIEMBRA
26	G16341230	BUSSOLIERA 350				
27	G16341220	VASCHETTA PROVA SEMINA 350				



# ASSOLCATORI A STIVALETTO

TAV. 061

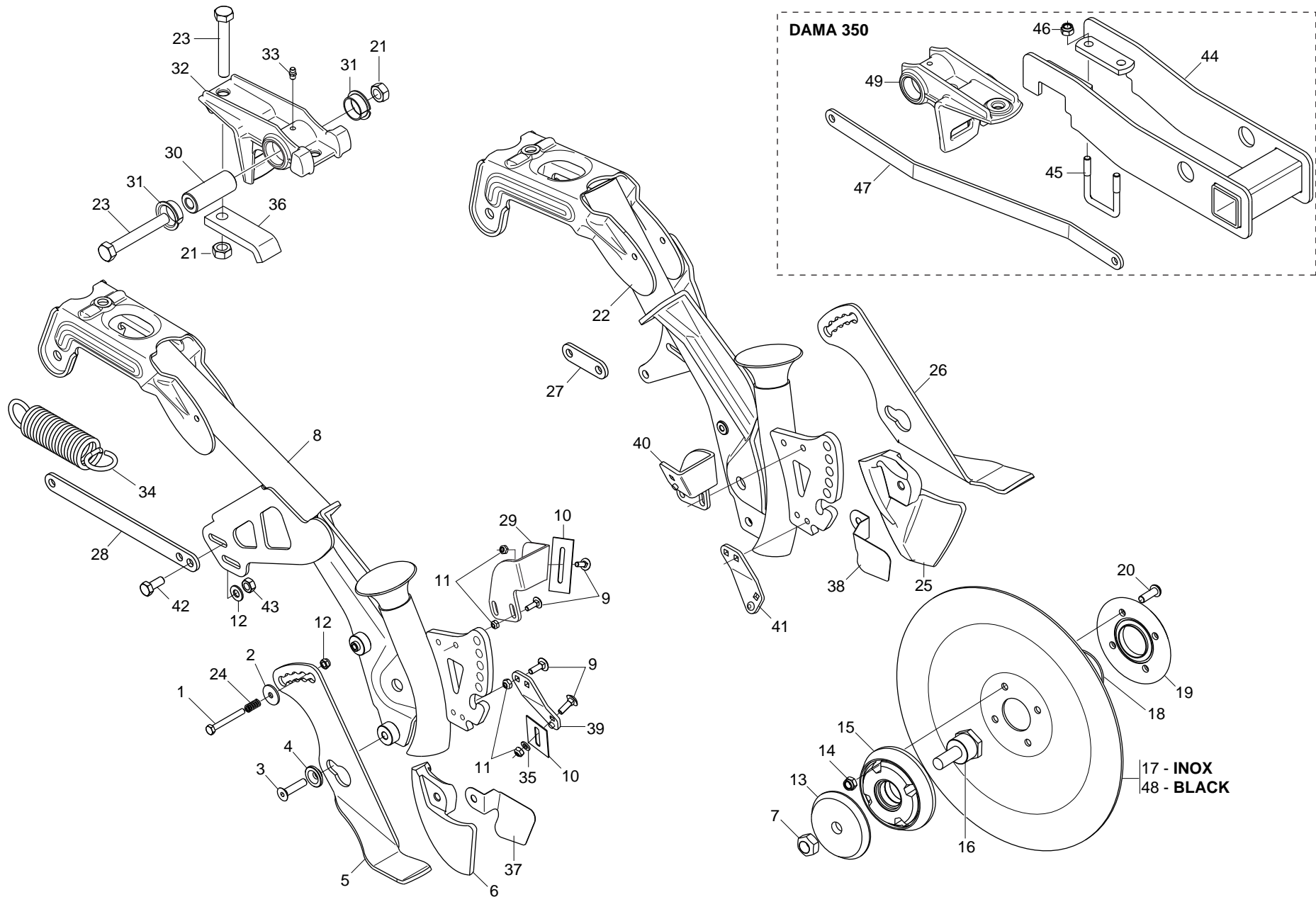
Pos.	Cod.	Descrizione	Description	Description	Benennung	Descrpcion
1	F01020166	VITE M12X1,75X80 U5737 8.8 ZN	SCREW M12X1,75X80 U5737 8.8 ZN	VIS M12X1,75X80 U5737 8.8 ZN	SCHRA.M12X1,75X80 U5737 8.8 ZN	TORN. M12X1,75X80 U5737 8.8 ZN
2	G16340801	SUPPORTO SCARPETTA				
3	F01100011	ING.M 6X1 7663-A 9SMNPB28 ZN	GREASE NIPPLE M6X1 7663-A ZN	GRAISS. A BILLE M6X1 7663A ZN	SCHMIERBUECHE M6X1 7663-A ZN	ENGRAS. DE ESFERAS M6X1 7663-A
4	G16340810	SCONTRIO DI FISSAGGIO	FIXING STRIKER PLATE	BUTEE DE FIXATION	BEFESTIGUNGSANSCHLAG	ELEM. DE EMPALME DE SUJECION
5	F01220048	DADO M12X1,75 D980 8 ZN	NUT M12X1,75 D980 8 ZN	ECROU M12X1,75 D980 8 ZN	SCHEIBE M12X1,75 D980 8 ZN	TUERCA M12X1,75 D980 8 ZN
6	F01020168	VITE M12X1,75X90 U5737 8.8 ZN	SCREW M12X1,75X90 U5737 8.8 ZN	VIS M12X1,75X90 U5737 8.8 ZN	SCHR.M12X1,75X90 U5737 8.8 ZN	TORN. M12X1,75X90 U5737 8.8 ZN
7	F04150034	CUSCINETTO FLANGIATO 25X28X16	FLANGED BEARING 25X28X16			
8	G18802740	BOCCOLA 25X12X63,5	BUSHING 25X12X63,5	BOITE 25X12X63,5	BUCHSE 25X12X63,5	CASQUILLO 25X12X63,5
9	F01270010	DADO M10 17X8 D557 ZN	NUT M10 17X8 D557 ZG	ECROU M10 17X8 D557 Z	MUTTER M10 17X8 D557	TUERCA M10 17X8 D557
10	G16243760	FALCIONE SCARPETTA FS1	CUTTER	COUPEUR FS1	SAASCHAR	HOJA DE CORTE
11	G16244041	TUBO LUNGO BASSO	LONG LOW PIPE			
12	G16042171	TUBO CORTO BASSO				
13	G16042680	TIRANTE L.303				
14	G16042500	TIRANTE L.103	TIE-ROD L.103			
15	G16042510	TIRANTE L.263	TIE-ROD L.263			
16	G18904360	MOLLA TENSIONAM.ELEM.LUNGO	SPRING	RESSORT	FEDER	MUELLE
17	G18904350	MOLLA TENSIONAM.ELEM.CORTO ZN	DRILL COULTER TENS. SPRING	RESSORT TENDEUR SOC	EDER SZSCHARSPANNUNG	UELLE TENSIN SURCADOR
18	F01020436	VITE M 8X1,25X 20 U5739 8.8 ZN	SCREW M8X1,25X20 U5739 8.8 ZN	VIS M8X1,25X20 U5739 8.8 ZN	SCHRA. M8X1,25X20 U5739 8.8 ZN	TORN. M8X1,25X20 U5739 8.8 ZN
19	F01410051	ROS.M8 8,4X 17X1,6 U6592 ZN	WASHER M8 8,4X17X1,6 U6592 ZN	RONDEL. M8 8,4X17X1,6 U6592 ZN	SCHEIBE M8 8,4X17X1,6 U6592 ZN	ARANDELA M8 8,4X17X1,6 U6592ZN
20	F01220022	DADO M 8X1,25 D980 8 ZN	NUT M8X 1,25 D980 8 ZN	ECROU M8X 1,25 D980 8 ZN	MUTTER M8X 1,25 D980 8 ZN	TUERCA M8X 1,25 D980 8 ZN
21	F05100195	CAPPUCCIO 36,51X25,41 NERO >	COVER 36,51X25,41 NERO			
22	G16243990	SCARPETTA INTERCAMBIABILE	INTERCHANGE CUTTER	HACHOIR	SAASCHAR	HOJA DE CORTE
23	F01040600	VITE M10X1,5X30 U9327 8.8 ZN	SCREW M10X 30 U9327 8.8 ZN	VIS M10X 30 U9327 8.8 ZN	SCHRAUBE M10X 30 U9327 8.8 ZN	TORNILLO M10X 30 U9327 8.8 ZN
24	F01220011	DADO M 6X 1 D980 8 ZN	NUT M6X1 D980 8 ZN	ECROU M6X1 D980 8 ZN	MUTTER M6X1 D980 8 ZN	TUERCA M6X1 D980 8 ZN
25	G07002218	ANTI INTASAMENTO M	ANTI CLOGGING M	ANTI BOURRAGE SOC	VERSTOPFUNGSHEMMENDES ELEMENT	ANTI OBSTRUCCIN M A
26	F01020039	VITE M6X1X35 U5737 8.8 ZN	SCREW M6X1 X35 5737 8.8 ZN	VIS 6 X35 5737 8.G ZN	SCHRAUBE 6 X35 5737 8.G ZN	TORNILLO 6 X35 5737 8.G ZN
27	G16243770	SCARPA SEMINA A FASCIA	BANDS CUTTER	HACHOIR BANDES	SZSCHAR BANDEL	GUAYADORA FAJA
28	F01020445	VITE M8X1,25X30 U5739 8.8 ZN	BOLT M8X30	VIS M8X30	SCHRAUBE M 8X30	TORNILLO M 8X30
29	F01420048	ROS.M8 8,4X 24X 2 U6593 ZN	WASHER M8 8,4X 24X 2 U6593 ZN	RONDELLE M8 8,4X 24X2 U6593 ZN	SCHEIBE M8 8,4X 24X 2 U6593 ZN	ARANDELA M8 8,4X 24X2 U6593 ZN
30	G16249010	SUPPORTO SX PATTINO LIMITATORE				
31	G16248980	ASS.PATTINO LIMITATORE				
32	G16249000	SUPPORTO DX PATTINO LIMITATORE				
33	F01220022	DADO M 8X1,25 D980 8 ZN	NUT M8X 1,25 D980 8 ZN	ECROU M8X 1,25 D980 8 ZN	MUTTER M8X 1,25 D980 8 ZN	TUERCA M8X 1,25 D980 8 ZN
34	G16043390	SUPPORTO LATERALE DX				
35	F20110715	CAV.Q.M10X 1,5X 30 61X 80 ZN	STRIKER M10X 1,5X 30 61X 80 ZB	BUTEE M10X 1,5X 30 61X 80 ZB	ANSCHLAG M10X 1,5X 30 61X 80	EL. DE EMPALME M10X 1,5X 30
36	F01230048	DADO M10X 1,5 D982 8 ZN	NUT M10X 1,5 D982 8 ZN	ECROU M10X 1,5 D982 8 ZN	SCHEIBE M10X 1,5 D982 8 ZN	TUERCA M10X 1,5 D982 8 ZN
37	G16341340	TIRANTE ELEM.EST.DX				
38	G16043330	SUPPORTO ASSOLCATORE CORTO				



# ASSOLCATORI A DISCHI COREX

TAV. 071

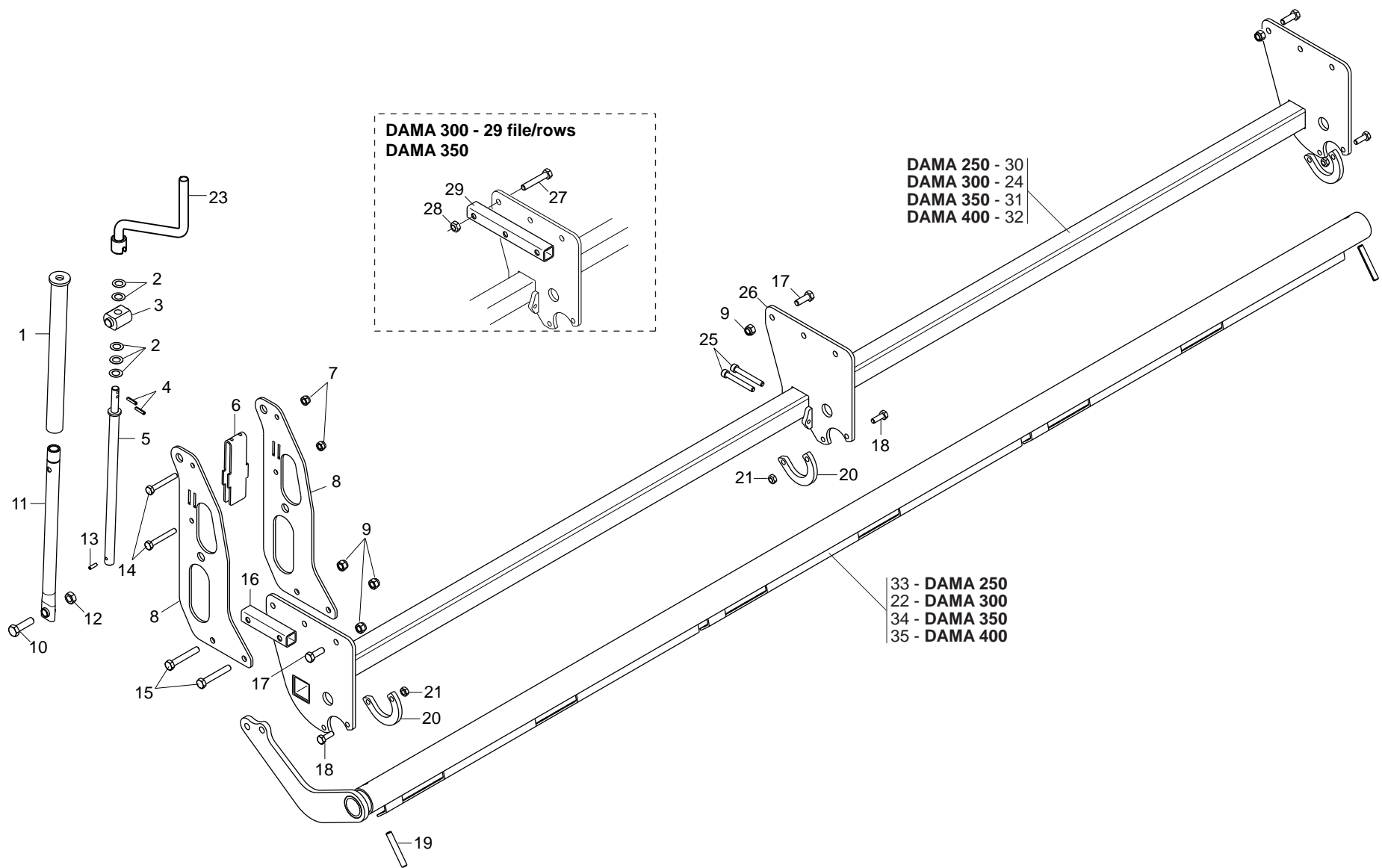
Pos.	Cod.	Descrizione	Description	Description	Benennung	Descripcion
1	F01020166	VITE M12X1,75X80 U5737 8.8 ZN	SCREW M12X1,75X80 U5737 8.8 ZN	VIS M12X1,75X80 U5737 8.8 ZN	SCHRA.M12X1,75X80 U5737 8.8 ZN	TORN. M12X1,75X80 U5737 8.8 ZN
2	G16340801	SUPPORTO SCARPETTA				
3	F01100011	ING.M 6X1 7663-A 9SMNPB28 ZN	GREASE NIPPLE M6X1 7663-A ZN	GRAISS. A BILLE M6X1 7663A ZN	SCHMIERBUECHE M6X1 7663-A ZN	ENGRAS. DE ESFERAS M6X1 7663-A
4	G16340810	SCONTRIO DI FISSAGGIO	FIXING STRIKER PLATE	BUTEE DE FIXATION		ELEM. DE EMPALME DE SUJECION
5	F01220048	DADO M12X1,75 D980 8 ZN	NUT M12X1,75 D980 8 ZN	ECROU M12X1,75 D980 8 ZN	SCHIEBE M12X1,75 D980 8 ZN	TUERCA M12X1,75 D980 8 ZN
6	F01020168	VITE M12X1,75X90 U5737 8.8 ZN	SCREW M12X1,75X90 U5737 8.8 ZN	VIS M12X1,75X90 U5737 8.8 ZN	SCHR.M12X1,75X90 U5737 8.8 ZN	TORN. M12X1,75X90 U5737 8.8 ZN
7	F04150034	CUSCINETTO FLANGIATO 25X28X16	FLANGED BEARING 25X28X16			
8	G18802740	BOCCOLA 25X12X63,5	BUSHING 25X12X63,5	BOITE 25X12X63,5	BUCHSE 25X12X63,5	CASQUILLO 25X12X63,5
9	G16043090	DISCO COREX FE-B SP.2,5	DISC COREX FE-B SP.2,5			
10	G16248432	ASS.TUBO CORTO DISCO COREX	ASS. PIPE SHORT DISK COREX			
11	G16246382	ASS.TUBO DISCO COREX DRITTO	RIGHT ASS. PIPE DISK COREX			
12	F01410051	ROS.M8 8,4X 17X1,6 U6592 ZN	WASHER M8 8,4X17X1,6 U6592 ZN	RONDEL. M8 8,4X17X1,6 U6592 ZN	SCHIEBE M8 8,4X17X1,6 U6592 ZN	ARANDELA M8 8,4X17X1,6 U6592ZN
13	F01220022	DADO M 8X1,25 D980 8 ZN	NUT M8X 1,25 D980 8 ZN	ECROU M8X 1,25 D980 8 ZN	MUTTER M8X 1,25 D980 8 ZN	TUERCA M8X 1,25 D980 8 ZN
14	G18904350	MOLLA TENSIONAM.ELEM.CORTO ZN	DRILL COULTER TENS. SPRING	RESSORT TENSUR DEUR SOC	EDER SZSCHARSPANNUNG	UELLE TENSIN SURCADOR
15	G16042500	TIRANTE L.103	TIE-ROD L.103			
16	F01020436	VITE M 8X1,25X 20 U5739 8.8 ZN	SCREW M8X1,25X20 U5739 8.8 ZN	VIS M8X1,25X20 U5739 8.8 ZN	SCHRA. M8X1,25X20 U5739 8.8 ZN	TORN. M8X1,25X20 U5739 8.8 ZN
17	G16042510	TIRANTE L.263	TIE-ROD L.263			
18	F01030054	VITE M 8X1,25X16 U5933 10.9 ZD	BOLT 8X16 UNI5933 10.9 GALVANI	VIS 8X16 UNI 5933 10.9 ZN	SCHRAUBE 8X16 UNI 5933 10.9 ZN	TORNILLO 8X16 UNI 5933 10.9 ZN
19	G16244121	RUOTA LIMIT.PROF.1"X12	DEPTH WHEEL 1"X12			
20	F03011144	GUARNIZIONE OR 3 X 56	SEAL 3 X 56			
21	G16244181	ANELLO DI SOSTEGNO ZAMA	RING	BAGUE	RING	ANILLO
22	F02050112	ANELLO E. DE 30X 1,5 U7435 C70	SEEGER RING 30X 1,5 U7435 C70	SEEGER E. 30 X 1,5 U7435 C70	SEEGERING E. 30X 1,5 U7435 C70	ANILLO E. 30 X 1,5 U7435 C70
23	F04010174	CUSC.D30 D62 B16 6206 2RS	BEARING D30 D62 B16 6206 2RS	PALIER 6206 2RS	LAGER 6206 2RS	COJINETE 6206 2RS
24	G16248850	KIT MOZZO COREX	KIT HUB COREX			
25	F03010074	ANELLO T.A. 32X 47X 7 D3760NBR	RING T.A. 32X 47X 7 D3760NBR	BAGUE 32X 47X 7 D3760NBR	SCHUTZRING 32X 47X 7 D3760NBR	ANILLO T.A. 32X 47X 7 D3760NBR
26	F01030112	VITE M12X1,75X45 U5933 10.9 ZD	SCREW M12X1,75X45 5933 10.9 ZD	VIS M12X1,75X45 U5933 10.9 ZD	SCHRAUBE M12X1,75X45 U5933 10.	TORNIL. M12X1,75X45 U5933 10.9
27	G16244050	ASSE COREX ZN	AXLE COREX ZN	ACHSE COREX ZN	ACHSE COREX ZN	EJE COREX ZN
28	F02100336	PERNO D.10 UNI 1710 ZN	PIN D.10 UNI 1710	PIVOT D.10 UNI 1710	BOLZEN D.10 UNI 1710	PERNO D.10 UNI 1710
29	F02200342	COPIGLIA R 2X 50 ZN	SPRING SPLIT PIN 2X50 ZN	GOUPILLE R 2X50 ZN	SPLINT R 2X50 ZN	CHAVETA R 2X50 ZN
30	G16244101	BRACCIO RUOTA LIMIT.PROF.				
31	F01220033	DADO M10X 1,5 D980 8 ZN	NUT M10X 1,5 D980 8 ZN	ECROU M10X 1,5 D980 8 ZN	MUTTER M10X 1,5 D980 8 ZN	TUERCA M10X 1,5 D980 8 ZN
32	F01020120	VITE M10X1,5X65 U5737 8.8 ZN	SCREW M10X1,5X65 U5737 8.8 ZN	VIS M10X1,5X65 U5737 8.8 ZN	SCHRA. M10X1,5X65 U5737 8.8 ZN	TORN. M10X1,5X65 U5737 8.8 ZN
33	G16244070	RUOTALIMITAT.PROF.COMPL.1"X12	LIMITER DEPTH COUPLYNG	LIMITEUR DE PROFONDEU	TIEFENBEGRENZERKOMPLEX	LIMITADOR DE PROFUNDIDAD
34	F01420061	ROS.M10 10,5X 40X2,5 U6593 ZN	WASHER 11X40X2.5 6593 ZN	RONDELLE 11X40X2.5 6593 ZN	UNTERLEGSCHIEBE 11X40X2.5 6593	ARANDELA 11X40X2.5 6593 ZN
35	F01020476	VITE M10X1,5X30 U5739 8.8 ZN	SCREW M10X1,5 X 30 5739 8.8 ZN	VIS M10X1,5 X 30 5739 8.8 ZN	SCHRA. M10X1,5X 30 5739 8.8 ZN	TORN. M10X1,5 X 30 5739 8.8 ZN
36	F01230022	DADO M 6X 1 D982 8 ZN	NORM.SELF-LOCKING NUT 6 GALVAN	ECROU AUTOB.NOR.6 ZN	SELBSTSP. MUTTER NOR.6 ZN	TUERCA AUTOB. NOR. 6 ZN
37	F01410037	ROS.M6 6,4X12,5X1,6 U6592 ZN	PLANE WASHER D.6	RONDELLE D.6	SCHIEBE D.6	ARANDELA D.6
38	G16248050	RASCHIATERRA				
39	G16248060	SUPPORTO RASCHIATERRA SX				
40	F01060013	VITE M6X1X20 U5732 4.6 ZN	BOLT 6X20 5732 4.6 GALVANIZED	VIS 6X20 5732 4.6 ZN	SCHRAUBE 6X20 5732 4.6 ZN	TORNILLO 6X20 5732 4.6 ZN
41	G16248070	SUPPORTO RASCHIATERRA DX				
42	F01020378	VITE M5X0,8X16 U5739 8.8 ZN	SCREW M5X 0,8X 16 U5739 8.8 ZN	VIS 5X16 5739 8.G ZN	SCHRAUBE 5X16 5739 8.G ZN	TORNILLO 5X16 5739 8.G ZN
43	F01410023	ROS.M5 5,3X 10X 1 U6592 ZN	WASHER D5 UNI 6592 ZN	RONDELLE D5 UNI 6592 ZN	UNTERLEGSCHIEBE D5 UNI 6592 ZN	ARANDELA D5 UNI 6592 ZN
44	G16248860	RASCHIATERRA				
45	G16248890	DEFLETTORE RASCHIATERRA INT.				
46	G16248870	SUPPORTO RASCHIATERRA INT.				
47	F01230019	DADO M 5X 0,8 D982 8 ZN	NORM.SELF-LOCKING NUT 5 GALVAN	ECROU AUTOB.NOR.5 ZN	SELBSTSP. MUTTER NOR.5 ZN	TUERCA AUTOB. NOR. 5 ZN
48	F01220011	DADO M 6X 1 D980 8 ZN	NUT M6X1 D980 8 ZN	ECROU M6X1 D980 8 ZN	MUTTER M6X1 D980 8 ZN	TUERCA M6X1 D980 8 ZN
49	F01420060	ROS.M10 10,5X 30X2,5 U6593 ZN	WASHER 10,5X30	RONDELLE 10,5X30	SCHIEBE 10,5X30	ARANDELA 10,5X30
50	F06120409	RUOTA GOMMA 250X42L PLA.2CUS.>	RUBBER WHEEL 250X24			
51	G16043460	ASS.SUPP.RUOTINO				
52	G16043490	RASCHIATERRA				
53	F01060091	VITE M10X1,5X70 U5732 8.8 ZN	BOLT 10X70 5732 8.8 GALVANIZED	VIS 10X70 5732 8.8 ZN	SCHRAUBE 10X70 5732 8.8 ZN	TORNILLO 10X70 5732 8.8 ZN
54	G16043390	SUPPORTO LATERALE DX				
55	F20110715	CAV.Q.M10X 1,5X 30 61X 80 ZN	STRIKER M10X 1,5X 30 61X 80 ZB	BUTEE M10X 1,5X 30 61X 80 ZB	ANSCHLAG M10X 1,5X 30 61X 80	EL. DE EMPALME M10X 1,5X 30
56	F01230048	DADO M10X 1,5 D982 8 ZN	NUT M10X 1,5 D982 8 ZN	ECROU M10X 1,5 D982 8 ZN	SCHIEBE M10X 1,5 D982 8 ZN	TUERCA M10X 1,5 D982 8 ZN
57	G16341340	TIRANTE ELEM.EST.DX				
58	F01020403	VITE M6X1X16 U5739 8.8 ZN	SCREW M6X1X16 U5739 8.8 ZN	VIS M6X1X16 U5739 8.8 ZN	SCHRAUBE M6X1X16 U5739 8.8 ZN	TORNILLO M6X1X16 U5739 8.8 ZN
59	G16249020	SUPPORTO DEFLETTORE INTERNO				
60	G16249030	DEFLETTORE INTERNO				
61	G16043330	SUPPORTO ASSOLCATORE CORTO				



# ASSOLCATORI A SINGOLO DISCO

TAV. 081

Pos.	Cod.	Descrizione	Description	Description	Benennung	Descripcion
1	F01020042	VITE M6X1X50 U5737 8.8 ZN	SCREW M6X 1X 50 U5737 8.8 ZN	VIS 6 X50 5737 8.G ZN	SCHRAUBE 6 X50 5737 8.G ZN	TORNILLO 6x50 5737 8.G ZN
2	F01420037	ROS.M6 6,4X 24X 2 U6593 ZN				
3	F01030060	VITE M 8X1,25X35 U5933 10.9 ZD	SCREW M8X1,25X35 U5933 8.8 ZD	VIS 8X35 5933 8.8 ZN	SCHRAUBE 8X35 5933 8.8 ZN	TORNILLO 8X35 5933 8.8 ZN
4	G15821110	BOCCOLA SUPPORTO COPRISEME	SEED COVER SUPP. BUSHING	BOITE SUPPORT COUVRE-SEMENCE	BsCHSE SAMENABDECKERHALTER.	CASQUILLO SOPORTE CUBRESEMILLA
5	G16248621	LIMITATORE DI PROFONDITA SX	LEFT DEPTH ADAPTOR			
6	G19203970	FALCIONE DS DX.	RIGHT CUTTER			
7	F01220255	DADO M14X 2 D980 8 ZN	NUT- TRISTOP M14X2 D980 8 ZN	ECROU TRISTOP M14X2 D980 8 ZN	MUTTER TRISTOP M14X2 D980 8 ZN	TUERCA TRISTOP M14X2 D980 8 ZN
8	G16248632	ELEMENTO DS LUNGO				
9	F01060013	VITE M6X1X20 U5732 4.6 ZN	BOLT 6X20 5732 4.6 GALVANIZED	VIS 6X20 5732 4.6 ZN	SCHRAUBE 6X20 5732 4.6 ZN	TORNILLO 6X20 5732 4.6 ZN
10	G16248570	RASCHIATERRA DS				
11	F01220011	DADO M 6X 1 D980 8 ZN	NUT M6X1 D980 8 ZN	ECROU M6X1 D980 8 ZN	MUTTER M6X1 D980 8 ZN	TUERCA M6X1 D980 8 ZN
12	F01230022	DADO M 6X 1 D982 8 ZN	NORM.SELF-LOCKING NUT 6 GALVAN	ECROU AUTOB.NOR.6 ZN	SELBSTSP. MUTTER NOR.6 ZN	TUERCA AUTOB. NOR. 6 ZN
13	G16040863	PARAPOLVERE DI BLOCCAGGIO ZAMA	ZAMA LOCK DUST SEAL	PARE-POUSSI+RE DE BLOCAGE ZAMA	FESTSTELL.-STAUBABDECKUNG ZAMA	GUARDAPOLVO DE BLOQUEO ZAMAK
14	F01230034	DADO M 8X1,25 D982 8	SELF LOCK.NUT M8X1,25 D982 8ZN	ECROU AUTOBL.M8X1,25 D982 8 ZN	SELBST.MUTT.M8X1,25 D982 8 ZN	TUERCA AUTO. M8X1,25 D982 8 ZN
15	G16040921	FLANGIA CON CUSCINETTI	FLANGE w/ BEARING	BRIDE AVEC ROULEMENTS	FLANSCH MIT LAGERN	BRIDA CON COJINETES
16	G16040820	ASSE DISCO	DISK SPINDLE	AXE DISQUE	SCHWABENACHSE	EJE DISCO
17	G16241560	DISCO D.320 DS	TOOTHED DISK D.320 DS	DISQUE D.320 DS	SCHWABE D.320 DS	DISCO D.320 DS
18	F03010576	ANELLO OR 50,52X1,78 NBR	GASKET OR 50,52X1,78 NBR	BAGUE OR 50,52X1,78 NBR	RING OR 50,52X1,78 NBR	ANILLO OR 50,52X1,78 NBR
19	G19003411	DISCO ESTERNO	OUTER DISK	DISQUE EXTERNE	AUSSENSCHWABE	DISCO ESTERNO
20	F01040501	VITE M8X1,25X25 D7984 8.8 ZN	BOLT 8X25 DIN 7984 GALVANIZED	VIS 8X25 DIN 7984 ZN	SCHRAUBE 8X25 DIN 7984 ZN	TORNILLO 8X25 DIN 7984 ZN
21	F01220048	DADO M12X1,75 D980 8 ZN	NUT M12X1,75 D980 8 ZN	ECROU M12X1,75 D980 8 ZN	SCHWABE M12X1,75 D980 8 ZN	TUERCA M12X1,75 D980 8 ZN
22	G16248682	ELEMENTO DS CORTO	ELEMENT DS SHORT			
23	F01020168	VITE M12X1,75X90 U5737 8.8 ZN	SCREW M12X1,75X90 U5737 8.8 ZN	VIS M12X1,75X90 U5737 8.8 ZN	SCHR.M12X1,75X90 U5737 8.8 ZN	TORN. M12X1,75X90 U5737 8.8 ZN
24	G18904240	MOLLA APERTURA PORTA CONTROLLO	SPRING	RESSORT	FEDER	MUELLE
25	G19203980	FALCIONE DS SX.	LEFT CUTTER			
26	G16248781	LIMITATORE DI PROFONDITA DX	RIGHT DEPTH ADAPTOR			
27	G16042500	TIRANTE L.103	TIE-ROD L.103			
28	G16042510	TIRANTE L.263	TIE-ROD L.263			
29	G16249070	RASCHIATERRA CORTO INT. ZN				
30	G18802740	BOCCOLA 25X12X63,5	BUSHING 25X12X63,5	BOITE 25X12X63,5	BUCHSE 25X12X63,5	CASQUILLO 25X12X63,5
31	F04150034	CUSCINETTO FLANGIATO 25X28X16	FLANGED BEARING 25X28X16			
32	G16340801	SUPPORTO SCARPETTA				
33	F01100011	ING.M 6X1 7663-A 9SMNPB28 ZN	GREASE NIPPLE M6X1 7663-A ZN	GRAISS. A BILLE M6X1 7663A ZN	SCHMIERBUECHE M6X1 7663-A ZN	ENGRAS. DE ESFERAS M6X1 7663-A
34	G18904350	MOLLA TENSIONAM.ELEM.CORTO ZN	DRILL COULTER TENS. SPRING	RESSORT TENDEUR SOC	EDER SZSCHARSPANNUNG	UELLE TENSIN SURCADOR
35	F01410037	ROS.M6 6,4X12,5X1,6 U6592 ZN	PLANE WASHER D.6	RONDELLE D.6	SCHWABE D.6	ARANDELA D.6
36	G16340810	SCONTRO DI FISSAGGIO	FIXING STRIKER PLATE	BUTEE DE FIXATION	BEFESTIGUNGSANSCHLAG	ELEM. DE EMPALME DE SUJECION
37	G16249040	SUPPORTO LAMELLA DS DX IX				
38	G16249050	SUPPORTO LAMELLA DS SX IX				
39	G16249130	SUPPORTO INF.RASCHIAT.DX ZN				
40	G16249100	RASCHIATERRA CORTO EST. ZN				
41	G16249140	SUPPORTO INF.RASCHIAT.SX ZN				
42	F01020436	VITE M 8X1,25X 20 U5739 8.8 ZN	SCREW M8X1,25X20 U5739 8.8 ZN	VIS M8X1,25X20 U5739 8.8 ZN	SCHRA. M8X1,25X20 U5739 8.8 ZN	TORN. M8X1,25X20 U5739 8.8 ZN
43	F01220022	DADO M 8X1,25 D980 8 ZN	NUT M8X 1,25 D980 8 ZN	ECROU M8X 1,25 D980 8 ZN	MUTTER M8X 1,25 D980 8 ZN	TUERCA M8X 1,25 D980 8 ZN
44	G16043390	SUPPORTO LATERALE DX				
45	F20110715	CAV.Q.M10X 1,5X 30 61X 80 ZN	STRIKER M10X 1,5X 30 61X 80 ZB	BUTEE M10X 1,5X 30 61X 80 ZB	ANSCHLAG M10X 1,5X 30 61X 80	EL. DE EMPALME M10X 1,5X 30
46	F01230048	DADO M10X 1,5 D982 8 ZN	NUT M10X 1,5 D982 8 ZN	ECROU M10X 1,5 D982 8 ZN	SCHWABE M10X 1,5 D982 8 ZN	TUERCA M10X 1,5 D982 8 ZN
47	G16341340	TIRANTE ELEM.EST.DX				
48	G16043890	DISCO ASSOLCATORE D.320 SP.2,5				
49	G16043330	SUPPORTO ASSOLCATORE CORTO				

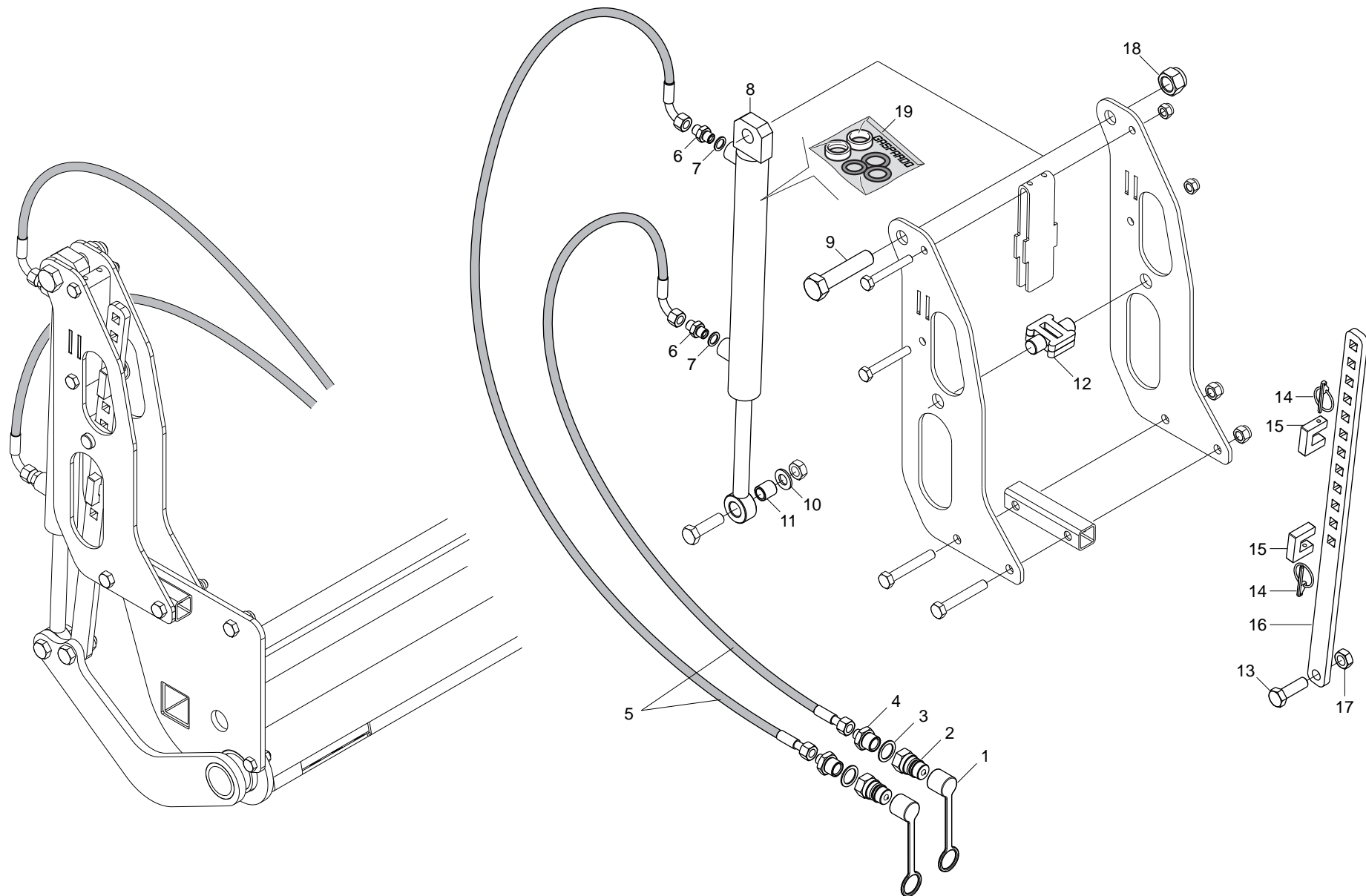




# REGOLAZIONE PRESSIONE ASSOLCATORI

TAV. 091

Pos.	Cod.	Descrizione	Description	Description	Benennung	Descripcion
1	G16042700	PROTEZIONE VITE DI REGOLAZIONE				
2	G22220073	RONDELLA 28X0,3X16,5	WASHER 28X0-3X16-5	RONDELLE 28X0-3X16-5	UNTERLEGSCHIEBE 28X0-3X16-5	ARANDELA 28X0-3X16-5
3	G16042690	ATTACCO VITE REGOLAZIONE ZN				
4	F02100110	SPINA E.P. 6X 26 U6873 C70 BR	PIN EL. 6 X26 DIN 1481	FICHE EL.6 X26 DIN 1481	SPANNSTIFT 6 X26 DIN 1481	CLAVIJA EL.6 X26 DIN 1481
5	G16042750	BARRA FILETTATA ZN				
6	G16042420	RINFORZO				
7	F01230048	DADO M10X 1,5 D982 8 ZN	NUT M10X 1,5 D982 8 ZN	ECROU M10X 1,5 D982 8 ZN	SCHEIBE M10X 1,5 D982 8 ZN	TUERCA M10X 1,5 D982 8 ZN
8	G16042460	SUPPORTO REGOLAZIONE				
9	F01230059	DADO M12X1,75 D982 8 ZN	NUT M12X1,75 D982 8 ZN	ECROU M12X1,75 D982 8 ZN	MUTTER M12X1,75 D982 8 ZN	TUERCA M12X1,75 D982 8 ZN
10	F01020547	VITE M14X2X50 U5739 8.8 ZN	BOLT M14X2X50	VIS M14X2X50	SCHRAUBE M14X2X50	TORNILLO M14X2X50
11	G16042720	PROLUNGA				
12	F01220255	DADO M14X 2 D980 8 ZN	NUT- TRISTOP M14X2 D980 8 ZN	ECROU TRISTOP M14X2 D980 8 ZN	MUTTER TRISTOP M14X2 D980 8 ZN	TUERCA TRISTOP M14X2 D980 8 ZN
13	F02100106	SPINA E.P. 6X 20 U6873 C70 BR	PIN 6X 20	GOIJON 6X 20	BOLZEN 6X 20	ESPINA 6X 20
14	F01020125	VITE M10X1,5X75 U5737 8.8 ZN	SCREW M10X1,5X75 U5737 8.8 ZN	VIS 10X75 5737 8.G ZN	SCHRAUBE 10X75 5737 8.G ZN	TORNILLO 10X75 5737 8.G ZN
15	F01020166	VITE M12X1,75X80 U5737 8.8 ZN	SCREW M12X1,75X80 U5737 8.8 ZN	VIS M12X1,75X80 U5737 8.8 ZN	SCHRA.M12X1,75X80 U5737 8.8 ZN	TORN. M12X1,75X80 U5737 8.8 ZN
16	G16042470	TUBO Q.30X3X135 2FORI D.13				
17	F01020512	VITE M12X1,75X35 U5739 8.8 ZN	SCREW M12X1,75X35 5739 8.8 ZN	VIS M12X1,75X35 5739 8.8 ZN	SCHR. M12X1,75X35 5739 8.8 ZN	TORN. M12X1,75X35 5739 8.8 ZN
18	F01020476	VITE M10X1,5X30 U5739 8.8 ZN	SCREW M10X1,5 X 30 5739 8.8 ZN	VIS M10X1,5 X 30 5739 8.8 ZN	SCHRA. M10X1,5X 30 5739 8.8 ZN	TORN. M10X1,5 X 30 5739 8.8 ZN
19	F02100181	SPINA E.P. 12X 80 U6873 C70 BR	PIN EL. 12X 80 U6873 C70 BR	FICHE EL. 12X 80 U6873 C70 BR	SPANNSTIFT 12X 80 U6873 C70 BR	CLAVIJA EL.12X 80 U6873 C70 BR
20	G16312530	ANELLO CHIUSURA INFERIORE ZN	RING	BAGUE	RING	ANILLO
21	F01220033	DADO M10X 1,5 D980 8 ZN	NUT M10X 1,5 D980 8 ZN	ECROU M10X 1,5 D980 8 ZN	MUTTER M10X 1,5 D980 8 ZN	TUERCA M10X 1,5 D980 8 ZN
22	G16042630	TUBO TENDITORE 3000				
23	G07000428	MANICO CAMBIO *				
24	G16042391	BARRA AGGANCIAMENTO EL.OPER.300				
25	F01040129	VITE M10X1,5X80 U5931 8.8 ZN	SCREW M10X 1,5X 80 U5931 8.8 Z	VIS M10X 1,5X 80 U5931 8.8 ZG	SCHRAUBE M10X 1,5X 80 U5931 8.	TORNIL. M10X 1,5X 80 U5931 8.8
26	G16042660	SUPPORTO CENTRALE				
27	F01020160	VITE M12X1,75X60 U5737 8.8 ZN	SCREW M12X1,75X60 U5737 8.8 ZN	VIS M12X1,75X60 U5737 8.8 ZN	SCHRA.M12X1,75X60 U5737 8.8 ZN	TORN. M12X1,75X60 U5737 8.8 ZN
28	F01220048	DADO M12X1,75 D980 8 ZN	NUT M12X1,75 D980 8 ZN	ECROU M12X1,75 D980 8 ZN	SCHEIBE M12X1,75 D980 8 ZN	TUERCA M12X1,75 D980 8 ZN
29	G16341140	TUBO Q. 30X 4X 260				
30	G16341170	BARRA AGGANCIAMENTO EL.OPER.250				
31	G16043281	BARRA AGGANCIAMENTO EL.OPER.350				
32	G16042591	BARRA AGGANCIAMENTO EL.OPER.400				
33	G16341160	TUBO TENDITORE 250				
34	G16043260	TUBO TENDITORE 3500				
35	G16042650	TUBO TENDITORE 4000				

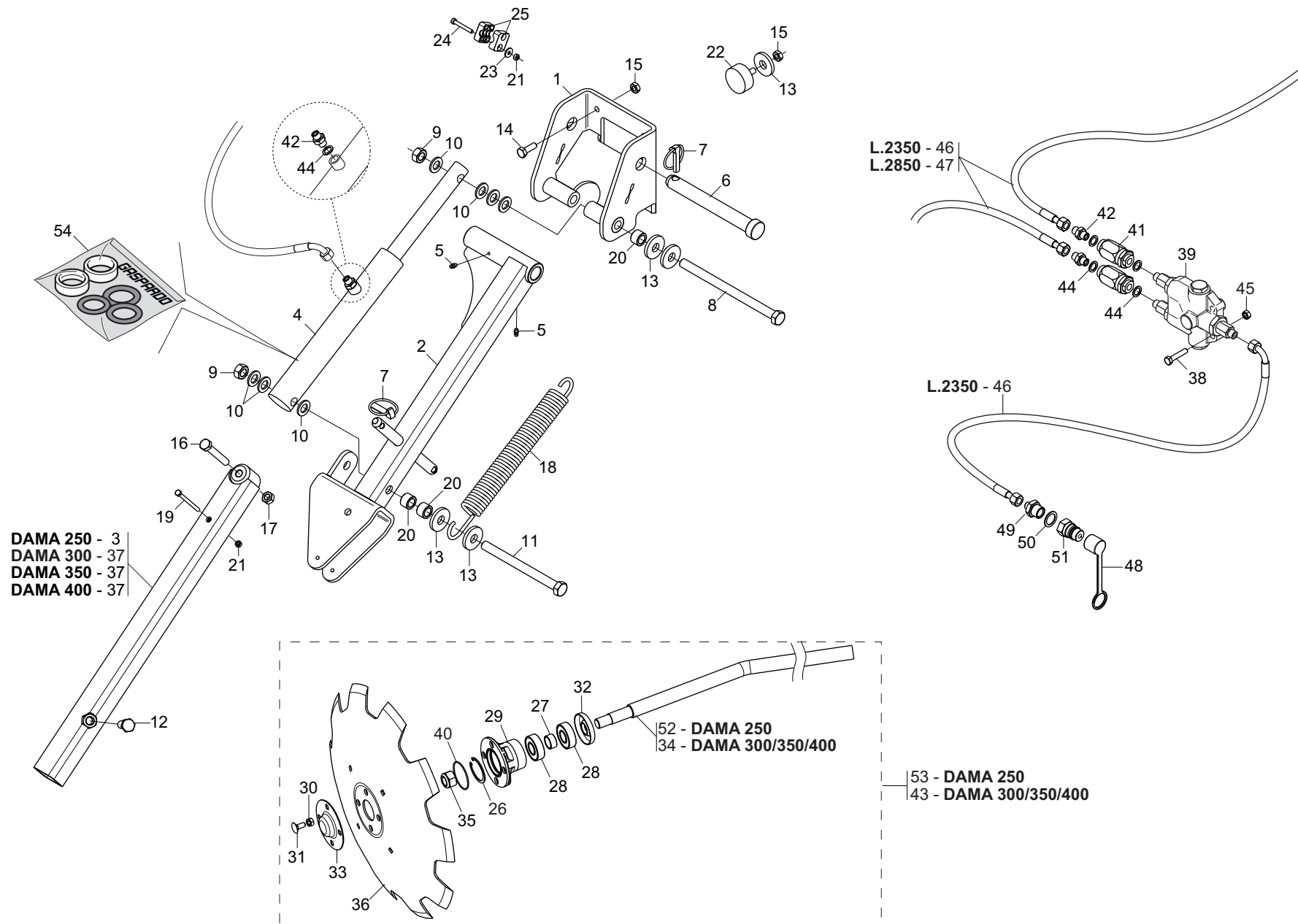


# REGOLAZIONE OLEODINAMICA PRESSIONE ASSOLCATORI

TAV. 101

Pos.	Cod.	Descrizione	Description	Description	Benennung	Descripcion
1	F05150325	CAPPUC.F X INN.M RAP.1/2 ROSSO	COVER CONNECT F 1/2 RED	COUVERCLE CONNEXION F 1/2 ROSE	DECKEL W 1/2 SCHNELLKUPP. ROT	PAC PROTECCION F 1/2 ROJO
2	F03150935	INNESTO RAP.MASCH.1/2 A VALV.	QUICK CONNECT MALE CONE 1/2	CONNEXION RAPIDE MALE CONE 1/2	SCHNELLKUPP.GEWINDE KONISC 1/2	ACOPLAMIEN.RAP.MACHO CONO 1/2
3	F03151237	ROS. 21 X27X1,5 RAME -1/2"	COPPER WASHER 21X27X1,5 1/2	RONDELLE CUIVRE 21X27X1,5 1/2	SCHLEIBE KUPFER 21X27X1,5 1/2	ARANDELA COBRE 21X27X1,5 1/2
4	F03150211	NIPPLO MM CIL-CIL 1/2-1/4 ZN	NIPLE MM CIL-CIL 1/4-1/2 ZN	NIPLE MM 1/4-1/2 ZN	NIPLE GG 1/4-1/2 ZN	NIPLE MM 1/4-1/2 ZN
5	G17915350	TUBO 1/4R2 F-CF L.5150	PIPE 1/4R2 F-CF L.5150			
6	F03150266	NIPPLO MM CIL-CIL 1/4-1/4 ZN	NIPPLE GALV.CYL.MALE 1/4 ZN	NIPPLE MALE CYL. 1/4 ZN	NIPPELZYL.1/4 ZN	NIPLE MACHO CIL.1/4 ZN
7	F01500012	RONDELLA IN RAME 1/4"	WASHER 13 X19X1,5 - 1/4"	RONDELLE	SCHLEIBE	ARANDELA
8	G16012962	CILINDRO DE 32X20 -275	CYLINDER D.E. 32X20 -275	CYLINDRE D.E. 32X20 -275	ZYLINDER D.E. 32X20 -275	CILINDRO D.E. 32X20 -275
9	F01020325	VITE M20X2,5X 90 U5737 10.9 ZD	SCREW M20X2,5X90 U5737 10.9 ZN	VIS M20X2,5X90 U5737 10.9 ZN	SCHR.M20X2,5X90 U5737 10.9 ZN	TORN. M20X2,5X90 U5737 10.9 ZN
10	F01410088	ROS.M14 15X 28X2,5 U6592 ZN	WAS.M14 15X 28X2,5 U6592 ZB	RON.M14 15X 28X2,5 U6592 ZB	SCH.M14 15X 28X2,5 U6592 ZB	ARA.M14 15X 28X2,5 U6592 ZB
11	G18803120	BOCCOLA 20X14,25X21 ZN	BUSHING 20X14,25X21 GALVA	BOITE 20X14,25X21 ZN	BsCHSE 20X14,25X21 ZN	CASQUILLO 20X14,25X21 ZN
12	G16042430	GUIDALAMA				
13	F01020198	VITE M14X2X45 U5737 8.8 ZN	SCREW M14X2X45 U5737 8.8 ZN	VIS 14X45 5737 8.G ZN *	SCHRAUBE 14X45 5737 8.G ZN *	TORNILLO 14X45 5737 8.G ZN *
14	F02200452	SPINA SCATTO D.4,4 B/80 ZN	SNAP PIN D4,4 B/80 ZN	FICHE A DETENTE D4,4 B/80 ZN	EINRASTSTIFT D4,4 B/80 ZN	CLAVIJA DE MUELLE D4,4 B/80 ZN
15	G16042490	FERMO ZN				
16	G16042410	ASTAREGOLAZIONE	ADJUSATMENT ROD	TIGE REGLAGE	EINSTELLSTANGE	VARILLA REGULACIN
17	F01220255	DADO M14X 2 D980 8 ZN	NUT- TRISTOP M14X2 D980 8 ZN	ECROU TRISTOP M14X2 D980 8 ZN	MUTTER TRISTOP M14X2 D980 8 ZN	TUERCA TRISTOP M14X2 D980 8 ZN
18	F01230131	DADO M20X 2,5 D982 6 ZN	NUT M20X 2,5 D982 6 ZN	ECROU M20X 2,5 D982 6 ZN	MUTTER M20X 2,5 D982 6 ZN	TUERCA M20X 2,5 D982 6 ZN
19	F03100187	KIT GUARNIZ.CILINDRO 15412580	KIT O-RING CYLINDER 15412580	KIT GARNIT. CYLINDRE 15412580	KIT DICHT.OR ZYLINDER15412580	SET JUNTA OR CILINDRO15412580

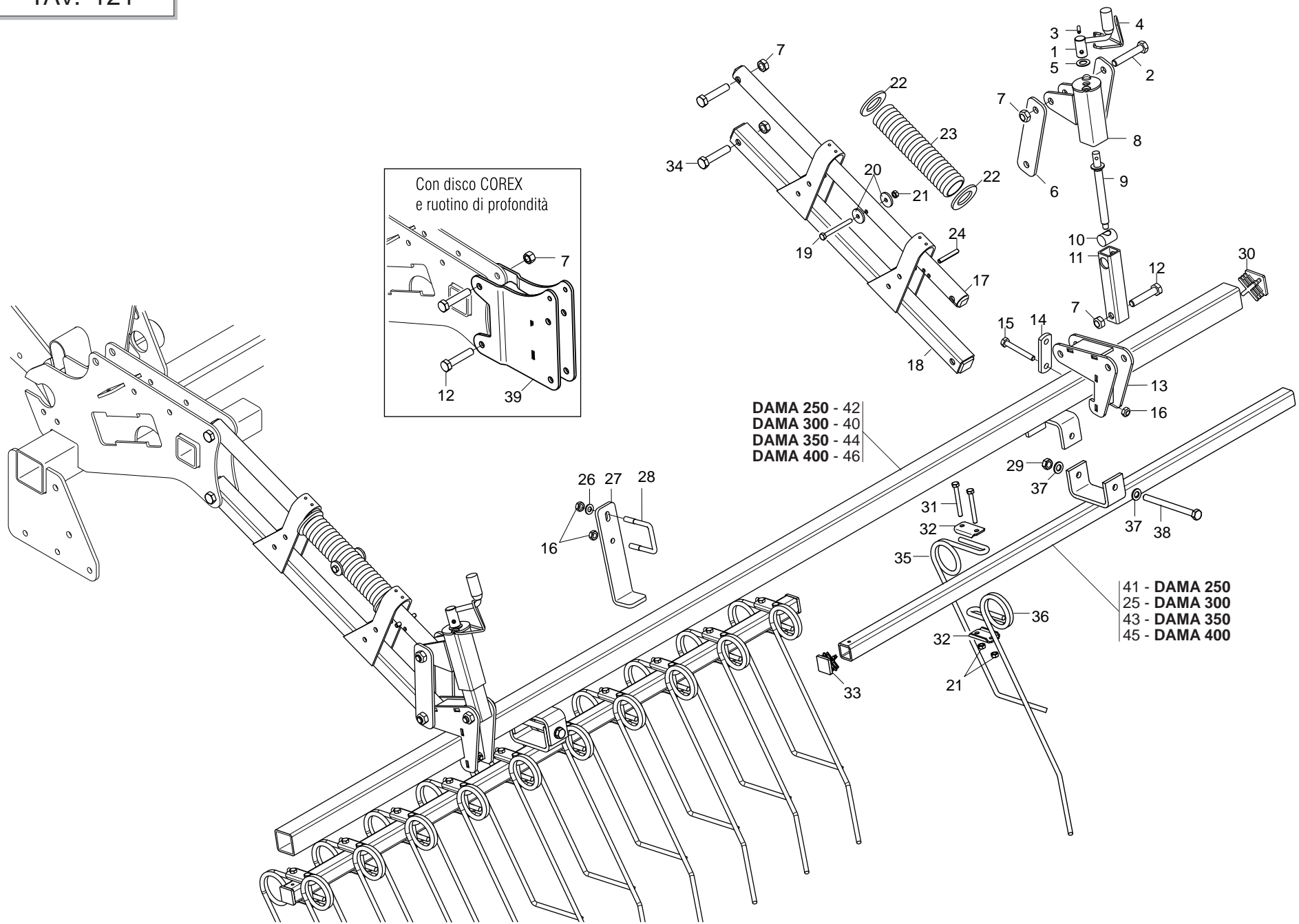
TAV. 111



**SEGNAFILE**

**TAV. 111**

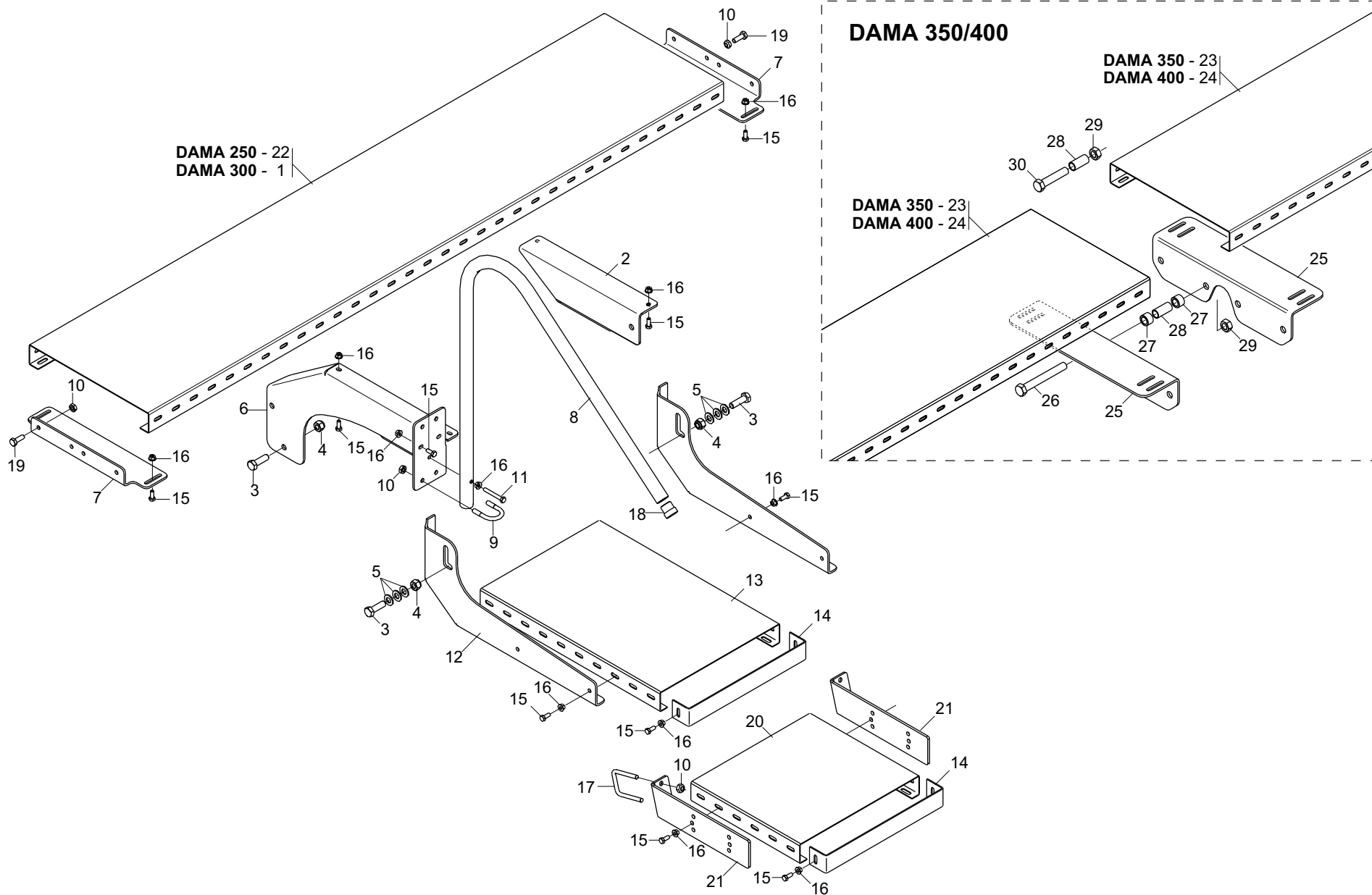
Pos.	Cod.	Descrizione	Description	Description	Benennung	Descrpcion
1	G16314690	ASS.SUPP.DX BRACCIO SEGNAFILE				
2	G16314681	CERNIERA BRACCIO SEGNAFILE				
3	G16315010	BRACCIO SEGNAFILE 250				
4	G16214000	CILINDRO SE 30X40 -220	CYLINDER SE 30X40 -220			
5	F01100011	ING.M 6X1 7663-A 9SMNPB28 ZN	GREASE NIPPLE M6X1 7663-A ZN	GRAISS. A BILLE M6X1 7663A ZN	SCHMIERBUECHE M6X1 7663-A ZN	ENGRAS. DE ESFERAS M6X1 7663-A
6	F20100134	PERNO D25 L190 C43 ZN				
7	F02200529	SPINA SCATTO D.11 ZN	SNAP PIN D.11	FICHE A DETENTE D.11	EINRASTSTIFT D.11	CLAVIJA DE MUELLE D.11
8	F01020282	VITE M16X2X240 U5737 8.8 ZN	BOLT 16X240 5737 8.G GALVANIZ.	VIS 16X240 5737 8.G ZN	SCHRAUBE 16X240 5737 8.G ZN	TORNILLO 16X240 5737 8.G ZN
9	F01220266	DADO M16X 2 D980 8 ZN	NUT M16X 2 D980 8 ZN	ECROU M16X 2 D980 8 ZN	MUTTER M16X 2 D980 8 ZN	TUERCA M16X 2 D980 8 ZN
10	F01410100	ROS.M16 17X 30X 3 U6592 ZN	WASHER M16 17X30X3 U6592 ZN	RONDELLE M16 17X30X3 U6592 ZN	SCHEIBE M16 17X30X3 U6592 ZN	ARANDELA M16 17X30X3 U6592 ZN
11	F01020279	VITE M16X2X190 U5737 10.9 ZD	SCREW M16X2X190 U5737 10.9 ZN	VIS M16X2X190 U5737 10.9 ZN	SCHRA. M16X2X190 U5737 10.9 ZN	TORNIL. M16X2X190 U5737 10.9 Z
12	F01020256	VITE M16X2X60 U5737 8.8 ZN				
13	G18700450	RONDELLA 17 X45 X6 ZN	WASHER 17X45X6 ZN	RONDELLE 17X45X6 ZN	SCHEIBE 17X45X6 ZN	ARANDELA 17X45X6 ZN
14	F01020476	VITE M10X1,5X30 U5739 8.8 ZN	SCREW M10X1,5 X 30 5739 8.8 ZN	VIS M10X1,5 X 30 5739 8.8 ZN	SCHRA. M10X1,5X 30 5739 8.8 ZN	TORN. M10X1,5 X 30 5739 8.8 ZN
15	F01220033	DADO M10X 1,5 D980 8 ZN	NUT M10X 1,5 D980 8 ZN	ECROU M10X 1,5 D980 8 ZN	MUTTER M10X 1,5 D980 8 ZN	TUERCA M10X 1,5 D980 8 ZN
16	F01020166	VITE M12X1,75X80 U5737 8.8 ZN	SCREW M12X1,75X80 U5737 8.8 ZN	VIS M12X1,75X80 U5737 8.8 ZN	SCHRA.M12X1,75X80 U5737 8.8 ZN	TORN. M12X1,75X80 U5737 8.8 ZN
17	F01220048	DADO M12X1,75 D980 8 ZN	NUT M12X1,75 D980 8 ZN	ECROU M12X1,75 D980 8 ZN	SCHEIBE M12X1,75 D980 8 ZN	TUERCA M12X1,75 D980 8 ZN
18	G16214150	MOLLA SEGNAFILE ZN	ROW-MARKER SPRING ZN			
19	F01020050	VITE M6X1X80 U5737 8.8 ZN	SCREW M6X 1X80 U5737 8.8 ZN	VIS 6 X80 5737 8.G ZN	SCHRAUBE 6 X80 5737 8.G ZN	TORNILLO 6 X80 5737 8.G ZN
20	G20980014	BOCCOLA 16,5X16,5X25	BUSHING 16-5X16-5X25	BOITE 16-5X16-5X25	BsCHSE 16-5X16-5X25	CASQUILLO 16-5X16-5X25
21	F01220011	DADO M 6X 1 D980 8 ZN	NUT M6X1 D980 8 ZN	ECROU M6X1 D980 8 ZN	MUTTER M6X1 D980 8 ZN	TUERCA M6X1 D980 8 ZN
22	F05150460	PARACOLPI CIL.D50X21 M10X26,5	RUBBER BUFFER- CYLINDR.D50X21	PARE-CHOCS CYL. D50X21	PUFFER ZYL.50X21	PARAGOLPES CIL.D50X21
23	F01420036	ROS.M6 6,4X 18X 2 U6593 ZN	FLAT WASHER 6-6X 18X2 6593 ZN	ROND. PLATE 6-6X 18X2 6593 ZN	SCHEIBE 6-6X 18X2 6593 ZN	ARAND. PLANA 6-6X 18X2 6593 ZN
24	F01040067	VITE M6X1X45 U5931 8.8 ZN	SCREW M6X 1X 45 U5931 8.8 ZN	VIS M6X45	SCHRAUBE M 6X45	TORNILLO M 6X45
25	F03151136	COPPIA COLLARE A1-12 S	COLLAR A1-12 S	COLLIER A1-12 S	BUNDRING A1-12 S	ARGOLLA A1-12 S
26	F02050370	ANELLO E. DI 47X1,75 U7437 C70	SEEGER RING 47X 1,75 U7437 C70	SEEGER E. 47X 1,75 U7437 C70	SEEGERING E. 47X1,75 U7437 C70	ANILLO E. 47X 1,75 U7437 C70
27	G18801270	BOCCOLA 21 X25 X12 ZN	BUSHING 21 X 25 X 12 ZN	BOITE 21 X25 X12 ZN	BsCHSE 21 X25 X12 ZN	CASQUILLO 21 X25 X12 ZN
28	F04010156	CUSC.D20 D47 B14 6204 2RSH	BEARING d20 D47 B14 6204 2RSH			
29	G16610160	SUPP.CUSCINETTI DISCO SEGN.ZN.	GALVAN. ROWMARKER DISK BEARING	SUPPORT ROULEMENTS DISQUE TRAC	SCHEIBENLAGERHALTERUNG	SOPORTE COJINETE DE DISCO MARC
30	F01200244	DADO M 8X1,25 U5588 6.8 ZN	NUT M8 X1,25 U5588 6.8 ZN	ECROU M8 X1,25 U5588 6.8 ZN	MUTTER M8 X1,25 U5588 6.8 ZN	TUERCA M8 X1,25 U5588 6.8 ZN
31	F01060040	VITE M8X1,25X20 U5732 4.6 ZG	SCREW M8X1,25X20 U5732 4.6 ZN	VIS M8X1,25X20 U5732 4.6 ZN	SCHRA. M8X1,25X20 U5732 4.6 ZN	TORN. M8X1,25X20 U5732 4.6 ZN
32	G16610430	FONDELLO ZN.	BOTTOM.ZN.			
33	G16610190	CHIUSURA CUSCINETTO ZN				
34	G16314340	PERNO REGGI DISCO SEGNAFILE				
35	F01230098	DADO M18X 2,5 D982 8 ZN	NUT M18X 2,5 D982 8 ZN	ECROU M18X 2,5 D982 8 ZN	MUTTER M18X 2,5 D982 8 ZN	TUERCA M18X 2,5 D982 8 ZN
36	F17712830	DISCO SEGNAFILE D.450	ROWMARKER DISK D.450			
37	G16314670	ASS.BRACCIO SEGNAFILE	ROW MARKER ARM ASSEMBLY	GR. BRAS TRACEUR	EINHEIT REIHENANREISSERARM	BRAZO MARCADOR DE FILAS
38	F01020450	VITE M 8X1,25X40 U5739 8.8 ZN	SCREW M8X 1,25X40 5739 8.8 ZN	VIS M 8X40	SCHRAUBE M 8X40	TORNILLO M 8X40
39	G16611050	VALVOLA SEGNAFILE CN COMPL	ROWMARKER VALVE ASSY.	SOUPAPE TRACEUR COMPL.	KOMPL. SPURREISSERVENTIL	V-LVULA MARC. DE FILAS COMPL
40	F03010576	ANELLO OR 50,52X1,78 NBR	GASKET OR 50,52X1,78 NBR	BAGUE OR 50,52X1,78 NBR	RING OR 50,52X1,78 NBR	ANILLO OR 50,52X1,78 NBR
41	F03151226	REGOL.DI FLUSSO VRF 1/4' GAS	1/4' GAS VALVE VRF	SOUPAPE REG DEBIT VRF 1/4" GAZ	VENITL VRF 1/4' GAS	VæLVULA VRF 1/4' GAS
42	F03150266	NIPPLLO MM CIL-CIL 1/4-1/4 ZN	NIPPLE GALV.CYL.MALE 1/4 ZN	NIPPLE MALE CYL. 1/4 ZN	NIPPELZYL.1/4 ZN	NIPLE MACHO CIL.1/4 ZN
43	G16314660	MONT.DISCO SEGNAFILE DAMA				
44	F01500012	RONDELLA IN RAME 1/4"	WASHER 13 X19X1,5- 1/4"	RONDELLE	SCHEIBE	ARANDELA
45	F01220022	DADO M 8X1,25 D980 8 ZN	NUT M8X 1,25 D980 8 ZN	ECROU M8X 1,25 D980 8 ZN	MUTTER M8X 1,25 D980 8 ZN	TUERCA M8X 1,25 D980 8 ZN
46	G22505140	TUBO 1/4R2 C-F 1/4 L.2350 LM	PIPE 1/4R1 C-F 1/4 L.2350 LM	TUBE 1/4R1 C-F 1/4 L. 2350 LM	ROHR 1/4R1 C-F 1/4 L.2350 LM	TUBO 1/4R1 C-F 1/4 L.2350 LM
47	G15210554	TUBO 1/4R2 F1/4-CF1/4 2850				
48	F05150325	CAPPUC.F X INN.M RAP.1/2 ROSSO	COVER CONNECT F 1/2 RED	COUVERCLE CONNEXION F 1/2 ROSE	DECKEL W 1/2 SCHNELLKUPP. ROT	PAC PROTECCION F 1/2 ROJO
49	F03150211	NIPPLLO MM CIL-CIL 1/2-1/4 ZN	NIPLE MM CIL-CIL 1/4-1/2 ZN	NIPLE MM 1/4-1/2 ZN	NIPLE GG 1/4-1/2 ZN	NIPLE MM 1/4-1/2 ZN
50	F03151237	ROS. 21 X27X1,5 RAME -1/2"	COPPER WASHER 21X27X1,5 1/2	RONDELLE CUIVRE 21X27X1,5 1/2	SCHEIBE KUPFER 21X27X1,5 1/2	ARANDELA COBRE 21X27X1,5 1/2
51	F03150935	INNESTO RAP.MASCH.1/2 A VALV.	QUICK CONNECT MALE CONE 1/2	CONNEXION RAPIDE MALE CONE 1/2	SCHNELLKUPP.GEWINDE KONISC 1/2	ACOPLAMIEN.RAP.MACHO CONO 1/2
52	G16315000	PERNO SEGNAFILE 250				
53	G16314990	DISCO SEGNAFILE DAMA 250 COMPL				
54	F03100191	KIT GUARNIZ.CILINDRO 15413110	CYLINDER SEAL KIT 15413110	KIT GARNITURE CYLINDRE 1541311	KIT ZYLINDERDICHTUNG 15413110	KIT JUNTA CILINDRO 15413110



**ERPICE COPRISEME MULTI CONTROL**

**TAV. 121**

Pos.	Cod.	Descrizione	Description	Description	Benennung	Descripcion
1	G22270235	MANIGLIA REGOLAZIONE B4	ADJUSTMENT HANDLE B4	POIGNEE REGLAGE B4	EINSTELLGRIFF B4	MANIJA REGULACIN B4 M
2	F01020210	VITE M14X2X80 U5737 8.8 ZN	SCREW M14X 2X 80 U5737 8.8 ZN	VIS M14X 2X 80 U5737 8.8 ZN	SCHRA. M14X 2X80 U5737 8.8 ZN	TORN. M14X 2X 80 U5737 8.8 ZN
3	F02100109	SPINA E.P. 6X 24 U6873 C70 BR	PIN EL. .6 X24 DIN 1481	FICHE EL. 6 X24 DIN 1481	SPANNSTIFT 6 X24 DIN 1481	CLAVIJA EL.6 X24 DIN 1481
4	G65336100	MOLLA SPEC.FERMO MANIGLIA SP	SPEC SPRING HANDLE STOP SP	RESSORT SPEC. ARRET POIGNEE SP	SPEZIALFEDER GRIFFSPERRE SP	MUELLE ESPEC. BLOQUEO MANIJA S
5	G20970149	RONDELLA D.15X28X1,5	WASHER D.15X28X1-5	RONDELLE D. 15X28X1-5	UNTERLEGSSCHEIBE D.15X28X1-5	ARANDELA D.15X28X1-5
6	G16243470	SCONTRO 200X50 -6 2F14 155	STRIKER 200X50 -6 2F14 155	BUTEE 200X50 -6 2F14 155	ANSCHLAG 200X50 -6 2F14 155	ELEMENTO DE EMPALME 200X50 -6
7	F01220255	DADO M14X 2 D980 8 ZN	NUT- TRISTOP M14X2 D980 8 ZN	ECROU TRISTOP M14X2 D980 8 ZN	MUTTER TRISTOP M14X2 D980 8 ZN	TUERCA TRISTOP M14X2 D980 8 ZN
8	G16243580	TUBO REGOLAZIONE	ADJUSTMENT TUBE	TUBE REGLAGE	ROHR EINSTELLUNG	TUBO REGULACION
9	G22505058	VITE DI REGOLAZIONE POSTERIORE	REAR ADJUSTMENT BOLT	VIS DE REGLAGE ARRIERE	HINTERE EINSTELLSCHRAUBE	TORNILLO DE REGULACIN TRASEROS
10	G22230063	ELEMENTO ARTICOLATO	ARTICULATED ELEMENT	ELEMENT ARTICULE	GELENKELEMENT	ELEMENTO ARTICULADO
11	G16243530	TUBO INTERNO DI REGOLAZIONE	INTERNAL PIPE	TUBE INT.	INNENROHR	TUBO INTERIOR
12	F01020207	VITE M14X2X70 U5737 8.8 ZN	SCREW M14X2X70 U5737 8.8 ZN	VIS M14X2X70 U5737 8.8 ZN	SCHRAUBE M14X2X70 U5737 8.8 ZN	TORNILLO M14X2X70 U5737 8.8 ZN
13	G16243491	SUPPORTO ERPICE				
14	G20890017	SCONTRO	STRIKER PLATE	BUTEE	ANSCHLAG	ELEMENTO DE EMPALME
15	F01020128	VITE M10X1,5X80 U5737 8.8 ZN	SCREW M10X1,5X80 U5737 8.8 ZN	VIS M10X1,5X80 U5737 8.8 ZN	SCHRAUBE M10X1,5X80 U5737 8.8	TORNIL.M10X1,5X80 U5737 8.8 ZN
16	F01220033	DADO M10X 1,5 D980 8 ZN	NUT M10X 1,5 D980 8 ZN	ECROU M10X 1,5 D980 8 ZN	MUTTER M10X 1,5 D980 8 ZN	TUERCA M10X 1,5 D980 8 ZN
17	G16041760	TUBO SUP.ERPICE	PIPE SUPPORT HARROW	TUBE SUPPORT	ALTERUNGSROHR	TUBO SOPORTE
18	G16243441	TUBO INFERIORE ERPICE				
19	F01020086	VITE M 8X1,25X80 U5737 8.8 ZN	BOLT M8X1X80	VIS M8X1X80	SCHRAUBE M8X1X80	TORNILLO M8X1X80
20	G20970032	RONDELLA 32X4X8,5	WASHER 32X4X8-5	RONDELLE 32X4X8-5	UNTERLEGSSCHEIBE 32X4X8-5	ARANDELA 32X4X8-5
21	F01220022	DADO M 8X1,25 D980 8 ZN	NUT M8X 1,25 D980 8 ZN	ECROU M8X 1,25 D980 8 ZN	MUTTER M8X 1,25 D980 8 ZN	TUERCA M8X 1,25 D980 8 ZN
22	F01420118	ROS.M36 39X 66X 5 U6593 ZN				
23	G18903560	MOLLA COMPRESSIONE ERPICE	SPRING.	RESSORT COMPL.	DRUCKFEDER	MUELLE COMP.
24	F02100146	SPINA E.P. 8X 55 U6873 C70 BR	PIN EL. .8 X55 DIN 1481	FICHE EL.8 X55 DIN 1481	SPANNSTIFT 8 X55 DIN 1481	CLAVIJA EL.8 X55 DIN 1481
25	G16240430	TUBO INFERIORE ERPICE	LOWER HARROW TUBE	TUBE INFERIEUR HERSE	UNTERES ROHR EGGE	TUBO INFERIOR GRADA
26	F01420060	ROS.M10 10,5X 30X2,5 U6593 ZN	WASHER 10,5X30	RONDELLE 10,5X30	SCHEIBE 10,5X30	ARANDELA 10,5X30
27	G16073100	GUIDA BRACCIO OSCILLANTE				
28	F20110715	CAV.Q.M10X 1,5X 30 61X 80 ZN	STRIKER M10X 1,5X 30 61X 80 ZB	BUTEE M10X 1,5X 30 61X 80 ZB	ANSCHLAG M10X 1,5X 30 61X 80	EL. DE EMPALME M10X 1,5X 30
29	F01220048	DADO M12X1,75 D980 8 ZN	NUT M12X1,75 D980 8 ZN	ECROU M12X1,75 D980 8 ZN	SCHEIBE M12X1,75 D980 8 ZN	TUERCA M12X1,75 D980 8 ZN
30	F20120349	PUNTALE Q.50 ALETT.POLIT.NERO	CAP	BOUCHON	DECKEL	CORCHO
31	F01020083	VITE M 8X1,25X70 U5737 8.8 ZN	SCREW M8X1,25X70 U5737 8.8 ZN	VIS M8X70	SCHRAUBE M8X70	TORNILLO M 8X70
32	G07000026	PIASTR.DENTI A MOLLA ZN	GALVAN. SPRING TOOTHED PLATE	PLAQUE DENTS A RESSORT ZN	PLATTE FEDERZZHNE ZN	PLACA DIENTES DE MUELLE ZN
33	F20120346	PUNTALE Q.35 ALETT.POLIT.NERO				
34	F01020212	VITE M14X2X90 U5737 8.8 ZN	SCREW M14X 2X 90 U5737 8.8 ZN	VIS M14X 2X 90 U5737 8.8 ZN	SCHARUBE M14X2X90 U5737 8.8 ZN	TORNILLO M14X2X90 U5737 8.8 ZN
35	G18903640	MOLLA CORTA COPRISEME D.9	SPEC. SPRING SHORT TOOTH D.9	DENT HERSE RECOUVR COURTE D.9	SPEZIALFEDER M. KURZ.ZAHN D.9	MUELLE ESPEC.DIENTE CORTO D.9
36	G18903650	MOLLA LUNGA COPRISEME D.9	SPEC. SPRING LONG TOOTH D.9	DENT HERSE RECOUVR LONGUE D.9	SPEZIALFEDER M. LANG.ZAHN D.9	MUELLE ESPEC.DIENTE LARGO D.9
37	F01410076	ROS.M12 13X 24X2,5 U6592 ZN	WASHER D12 U6592 ZN	RONDELLE D12 U6592 ZN	SCHEIBE D12 U6592 ZN	ARANDELA D12 U6592 ZN
38	F01020179	VITE M12X1,75X150 5737 8.8 ZN	SCREW M12X1,75X150 5737 8.8 ZN	VIS M12X1,75X150 5737 8.8 ZN	SCHRA.M12X1,75X150 5737 8.8 ZN	TORN. M12X1,75X150 5737 8.8 ZN
39	G16041740	PROLUNGA ERPICE COPRISEME	EXTENSION	RALLONGE	VERLZNGERUNG	PROLONGACION
40	G16243560	TUBO SUPPORTO ERPICE	HARROW SUPPORT TUBE	TUBE SUP.HERSE	ROHR EGGENHALTERUNG	TUBO SOP.GARDA
41	G16240400	TUBO INFERIORE ERPICE	LOWER HARROW TUBE	TUBE INFERIEUR HERSE	UNTERES ROHR EGGE	TUBO INFERIOR GRADA
42	G16243680	TUBO SUPPORTO ERPICE	HARROW SUPPORT TUBE	TUBE SUP.HERSE	ROHR EGGENHALTERUNG	TUBO SOP.GARDA
43	G16043370	TUBO INF.ERPICE 350				
44	G16043360	TUBO SUPPORTO ERPICE 350	HARROW SUPPORT TUBE 350	TUBE SUP.HERSE 350	ROHR EGGENHALTERUNG 350	TUBO SOP.GARDA 350
45	G16240840	TUBO INF.ERPICE M400				
46	G16243710	TUBO SUPPORTO ERPICE	HARROW SUPPORT TUBE	TUBE SUP.HERSE	ROHR EGGENHALTERUNG	TUBO SOP.GARDA

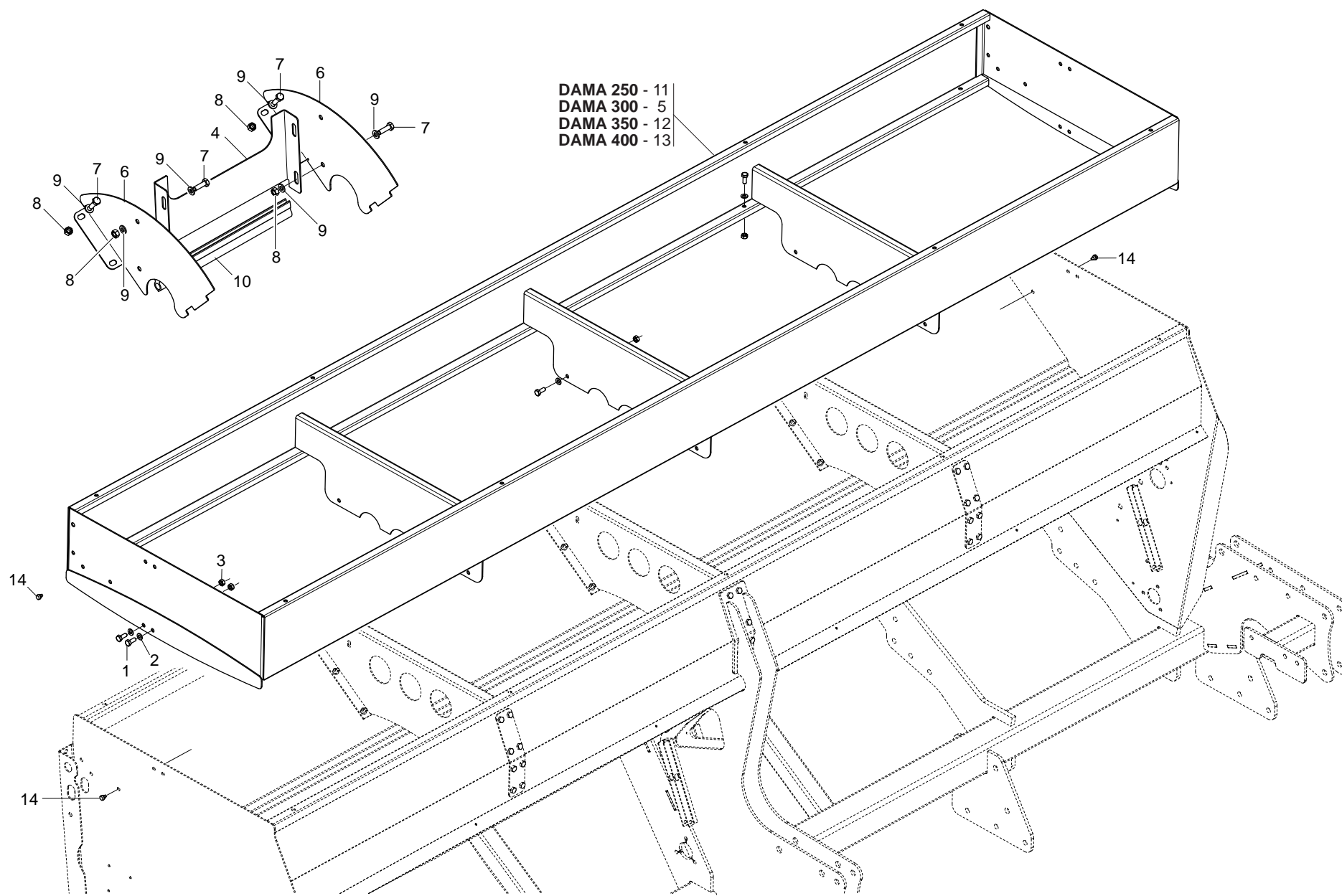




**PEDANA**

**TAV. 131**

Pos.	Cod.	Descrizione	Description	Description	Benennung	Descripcion
1	G16310500	PEDANA MC250	PLATFORM MC250	MARCHEPIED MC250	TRITTBRETT MC250	PLATAFORMA MC250
2	G16314500	SUPPORTO SUP.DX SCALA				
3	F01020198	VITE M14X2X45 U5737 8.8 ZN	SCREW M14X2X45 U5737 8.8 ZN	VIS 14X45 5737 8.G ZN *	SCHRAUBE 14X45 5737 8.G ZN *	TORNILLO 14X45 5737 8.G ZN *
4	F01230073	DADO M14X 2 D982 8 ZN	SELF LOCK. NUT M14X2 D982 8 ZN	ECROU AUTOBL. M14X2 D982 8 ZN	SELBSTSP.MUTT. M14X2 D982 8 ZN	TUERCA AUTOBL. M14X2 D982 8 ZN
5	F01410088	ROS.M14 15X 28X2,5 U6592 ZN	WAS.M14 15X 28X2,5 U6592 ZB	RON.M14 15X 28X2,5 U6592 ZB	SCH.M14 15X 28X2,5 U6592 ZB	ARA.M14 15X 28X2,5 U6592 ZB
6	G16314380	SUPPORTO CENTRALE PEDANA				
7	G16315200	STAFFA SUPPORTO PEDANA				
8	G16314560	TUBO CORRIMANO DAMA				
9	F20110855	CAV.T.M10X 1,5X 25 46X58,5 ZN				
10	F01220033	DADO M10X 1,5 D980 8 ZN	NUT M10X 1,5 D980 8 ZN	ECROU M10X 1,5 D980 8 ZN	MUTTER M10X 1,5 D980 8 ZN	TUERCA M10X 1,5 D980 8 ZN
11	F01020077	VITE M 8X1,25X60 U5737 8.8 ZN	SCREW M8X1,25X60 U5737 8.8 ZN	VIS M8X1,25X60 U5737 8.8 ZN	SCHRA. M8X1,25X60 U5737 8.8 ZN	TORN. M8X1,25X60 U5737 8.8 ZN
12	G16314480	SUPPORTO PEDANA				
13	G17917220	PEDANA 400 X 600 X 58 SP2 ZN>				
14	G16310680	TERMINALE PEDANA	GALVANIZED PLATFORM END	PIECE TERMINALE MARCHEPIED ZN	LAUFSTEGABSCHLUSS ZN	TERMINAL PLATAFORMA ZN
15	F01020436	VITE M 8X1,25X 20 U5739 8.8 ZN	SCREW M8X1,25X20 U5739 8.8 ZN	VIS M8X1,25X20 U5739 8.8 ZN	SCHRA. M8X1,25X20 U5739 8.8 ZN	TORN. M8X1,25X20 U5739 8.8 ZN
16	F01260043	DADO FLANG.M8 D6923 8.8 ZN	FLANGE NUT M8 DIN 6923 8.8 GAL	ECROU BRIDE .M8 DIN 6923 8.8 Z	GEFLANSCHTE MUTTER M8 DIN6923	TUERCA BRIDA M8 DIN 6923 8.8 Z
17	F20110715	CAV.Q.M10X 1,5X 30 61X 80 ZN	STRIKER M10X 1,5X 30 61X 80 ZB	BUTEE M10X 1,5X 30 61X 80 ZB	ANSCHLAG M10X 1,5X 30 61X 80	EL. DE EMPALME M10X 1,5X 30
18	G67008050	TERMINALE ROTONDO 28	ROUND END 28	PIECE TERMIN.RONDE 28	RUNDER ABSCHLUSS 28	TERMINAL REDONDO 28
19	F01020470	VITE M10X1,5X20 U5739 8.8 ZN	BOLT M 10X20	VIS M 10X20	SCHRAUBE M 10X20	TORNILLO M 10X20
20	G16013431	PEDANA 400X360X2 ZN	PLATFORM 400X360X2 ZN	MARCHEPIED 400X360X2 ZN	TRITTBRETT 400X360X2 ZN	PLATAFORMA 400X360X2 ZN
21	G16242471	SUPPORTO SCALINO	STEP SUPPORT	SUPPORT MARCHE	STUFENHALTERUNG	SOPORTE ESCALON
22	G16214160	PEDANA 400 X 1920 X 58 SP.2 ZN				
23	G16014700	PEDANA 400X1500X2 ZN	FOOTBOARD 400X1500X2 ZN	MARCHEPIED 400X1500X2 ZN	TRITTBRETT 400X1500X2 ZN	PLATAFORMA 400X1500X2 ZN
24	G16214390	PEDANA 400 X 1620 X 58 SP2 ZN				
25	G16315100	STAFFA PEDANA CENTRALE				
26	F01020268	VITE M16X2X130 U5737 8.8 ZN	SCREW 16X130 5737 8.G GALVAN.*	VIS 16X130 5737 8.G ZN *	SCHRAUBE 16X130 5737 8.G ZN	TORNILLO 16X130 5737 8.G ZN
27	G18803190	BOCCOLA 16,25X20 X43 ZN	BUSHING 16,25X20 X43 GALVA	BOITE 16,25X20 X43 ZN	BsCHSE 16,25X20 X43 ZN	CASQUILLO 16,25X20 X43 ZN
28	G20980014	BOCCOLA 16,5X16,5X25	BUSHING 16-5X16-5X25	BOITE 16-5X16-5X25	BsCHSE 16-5X16-5X25	CASQUILLO 16-5X16-5X25
29	F01220266	DADO M16X 2 D980 8 ZN	NUT M16X 2 D980 8 ZN	ECROU M16X 2 D980 8 ZN	MUTTER M16X 2 D980 8 ZN	TUERCA M16X 2 D980 8 ZN
30	F01020262	VITE M16X2X80 U5737 8.8 ZN	SCREW M16X2X80 U5737 8.8 ZN	VIS M16X2X80 U5737 8.8 ZN	SCHRAUBE M16X2X80 U5737 8.8 ZN	TORNILLO M16X2X80 U5737 8.8 ZN

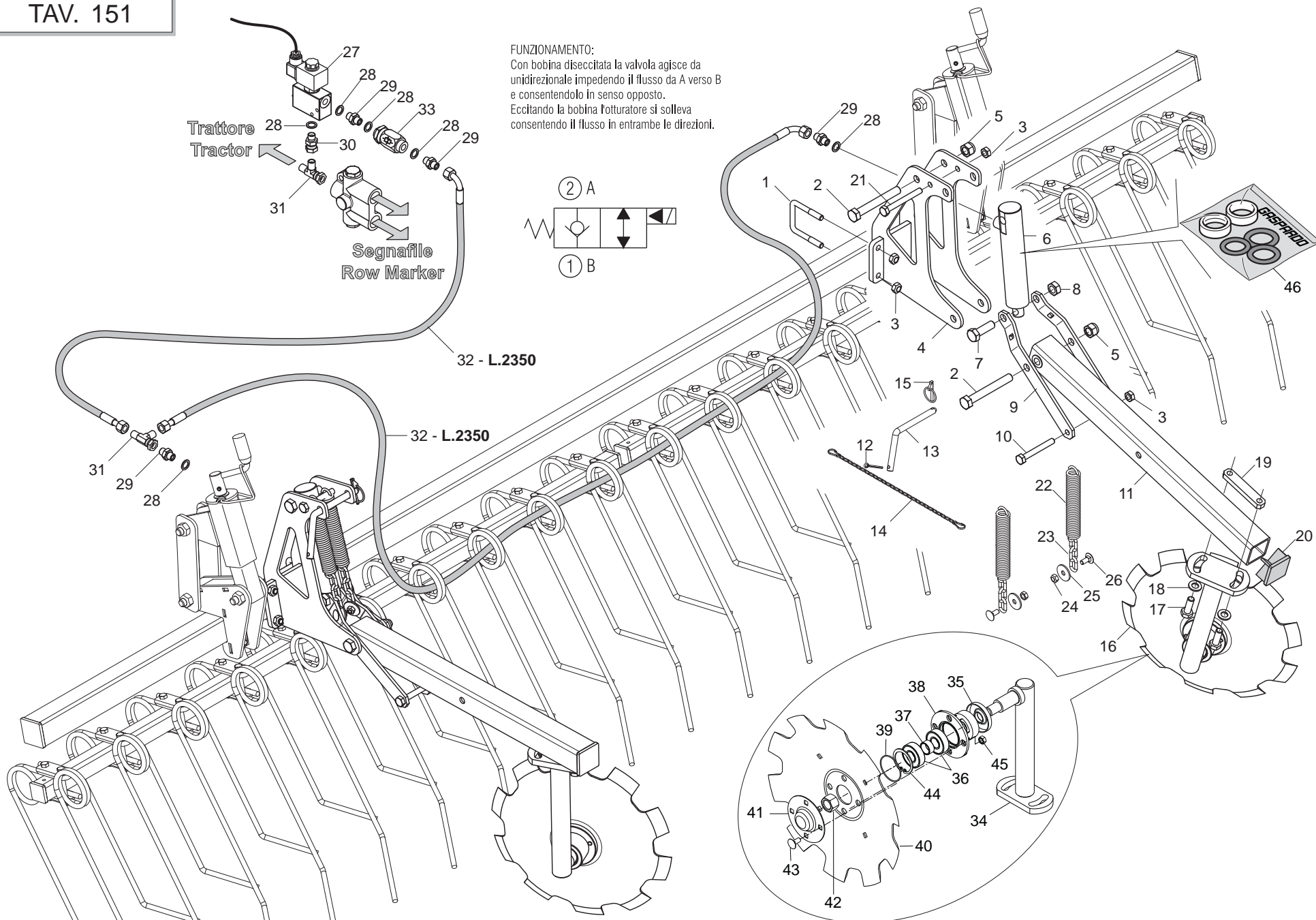
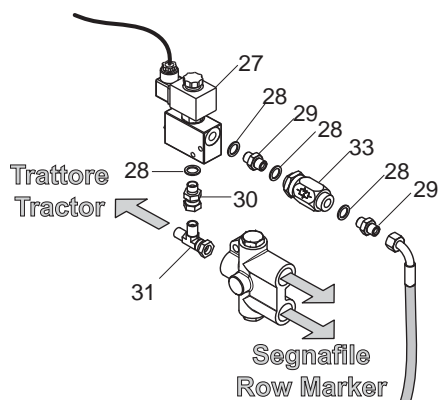
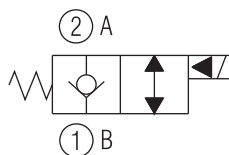


## SEPARATORI E RIALZO TRAMOGGIA

TAV. 141

Pos.	Cod.	Descrizione	Description	Description	Benennung	Descripcion
1	F01020436	VITE M 8X1,25X 20 U5739 8.8 ZN	SCREW M8X1,25X20 U5739 8.8 ZN	VIS M8X1,25X20 U5739 8.8 ZN	SCHRA. M8X1,25X20 U5739 8.8 ZN	TORN. M8X1,25X20 U5739 8.8 ZN
2	F01410051	ROS.M8 8,4X 17X1,6 U6592 ZN	WASHER M8 8,4X17X1,6 U6592 ZN	RONDEL. M8 8,4X17X1,6 U6592 ZN	SCHEIBE M8 8,4X17X1,6 U6592 ZN	ARANDELA M8 8,4X17X1,6 U6592ZN
3	F01200244	DADO M 8X1,25 U5588 6.8 ZN	NUT M8 X1,25 U5588 6.8 ZN	ECROU M8 X1,25 U5588 6.8 ZN	MUTTER M8 X1,25 U5588 6.8 ZN	TUERCA M8 X1,25 U5588 6.8 ZN
4	G16221460	SEPARATORE TRAMOGGIA				
5	G16211484	RIALZO TRAMOGGIA 300				
6	G16221450	SEPARATORE TRASVERSALE TRAM.				
7	F01020404	VITE M6X1X20 U5739 8.8 ZN	SCREW M 6X 1X20 U5739 8.8 ZN	VIS 6X20 5739 8.G ZN	SCHRAUBE 6X20 5739 8.G ZN	TORNILLO 6X20 5739 8.G ZN
8	F01200232	DADO M 6X 1 U5588 6.8 ZN	NUT 6 UNI 5588 6.8 GALVANIZED	ECROU 6 UNI 5588 6.8 ZN	MUTTER 6 UNI 5588 6.8 ZN	TUERCA 6 UNI 5588 6.8 ZN
9	F01410037	ROS.M6 6,4X12,5X1,6 U6592 ZN	PLANE WASHER D.6	RONDELLE D.6	SCHEIBE D.6	ARANDELA D.6
10	F03011087	GUARNIZIONE BATTUTA COPERCHIO	COVER RABBET GASKET	GARNITURE BUTEE COUVERCLE	DICHTUNG DECKELANSCHLAG	JUNTA DE TOPE TAPA
11	G16214382	RIALZO TRAMOGGIA 250				
12	G16370091	RIALZO TRAMOGGIA 350				
13	G16214422	RIALZO TRAMOGGIA 400				
14	G19003160	TAPPO PER FORO D.7	PLUG FOR D.7 HOLE	BOUCHON POUR TROU D.7 P	FROPFEN Fsr LOCH D.7 T	APN PARA AGUJERO D.7 DO

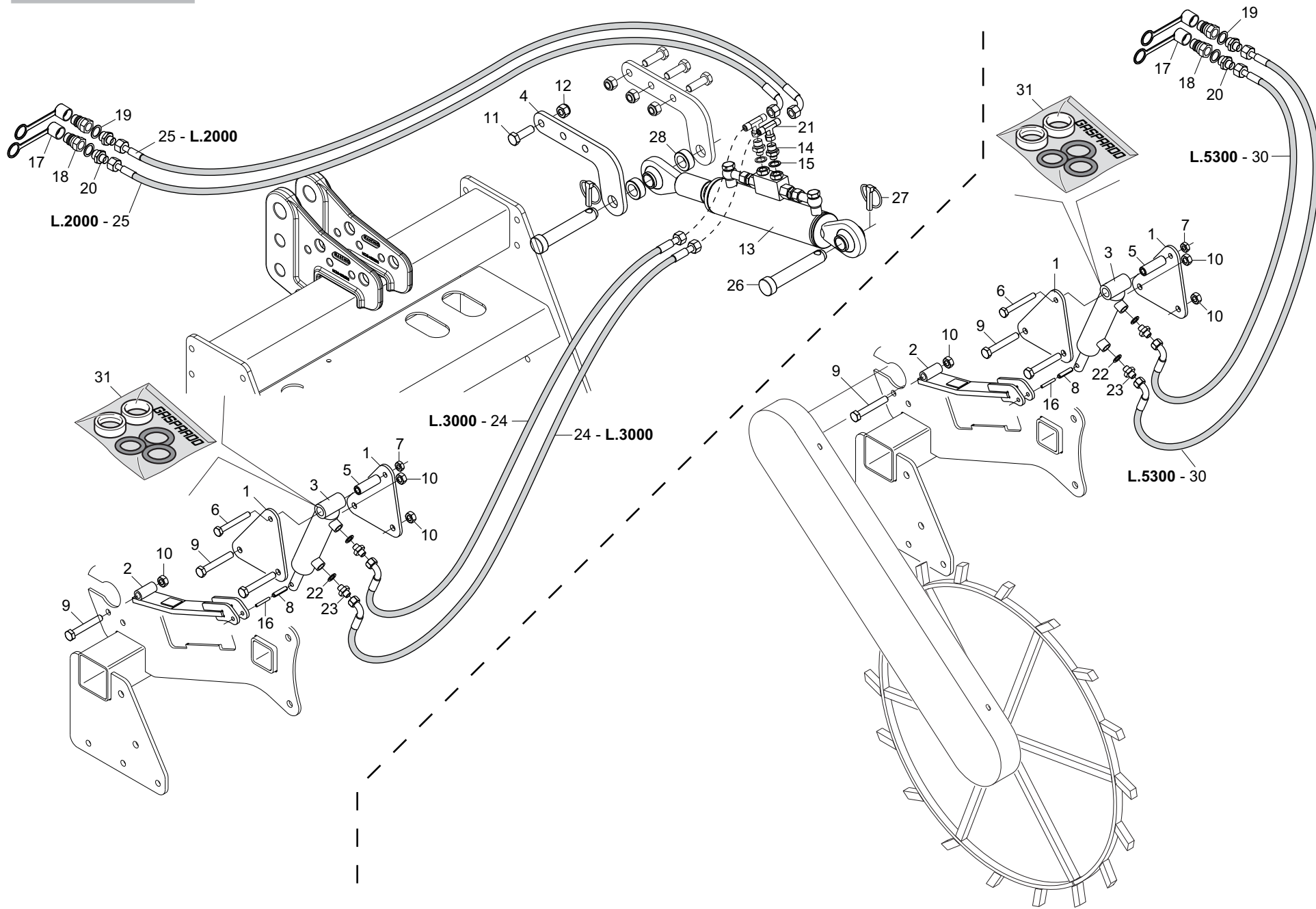
**FUNZIONAMENTO:**  
 Con bobina diseccitata la valvola agisce da unidirezionale impedendo il flusso da A verso B e consentendolo in senso opposto. Eccitando la bobina lotturatore si solleva consentendo il flusso in entrambe le direzioni.



# TRACCIASIENTIERI POSTERIORE

TAV. 151

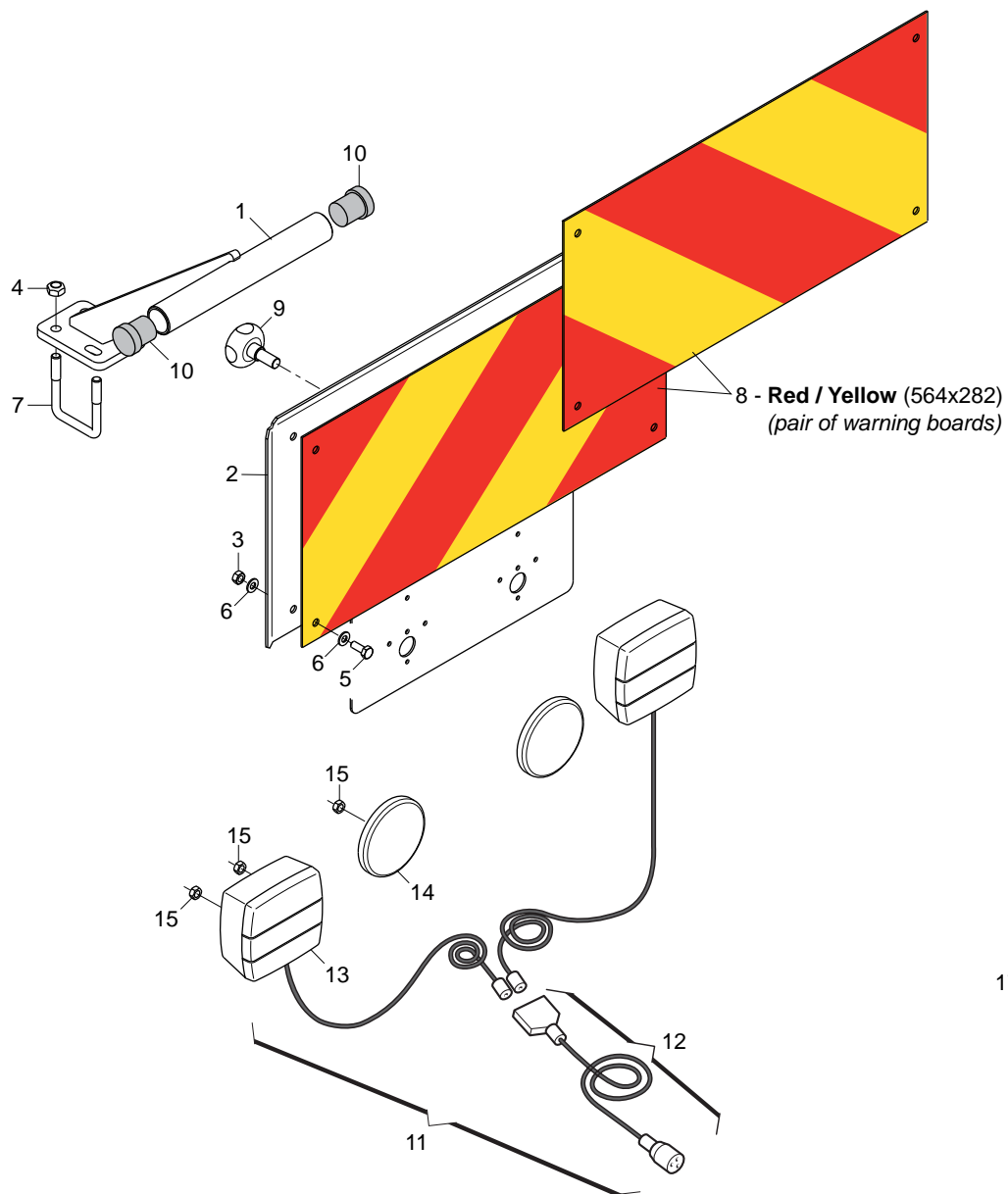
Pos.	Cod.	Descrizione	Description	Description	Benennung	Descripcion
1	F20110715	CAV.Q.M10X 1,5X 30 61X 80 ZN	STRIKER M10X 1,5X 30 61X 80 ZB	BUTEE M10X 1,5X 30 61X 80 ZB	ANSCHLAG M10X 1,5X 30 61X 80	EL. DE EMPALME M10X 1,5X 30
2	F01020214	VITE M14X2X100 U5737 8.8 ZN	BOLT 14X100 5737 8.G GALVANIZ.	VIS 14X100 5737 8.G ZN	SCHRAUBE 14X100 5737 8.G ZN	TORNILLO 14X100 5737 8.G ZN
3	F01220033	DADO M10X 1,5 D980 8 ZN	NUT M10X 1,5 D980 8 ZN	ECROU M10X 1,5 D980 8 ZN	MUTTER M10X 1,5 D980 8 ZN	TUERCA M10X 1,5 D980 8 ZN
4	G16070940	SUPPORTO TRACCIASIENTIERI	SUPPORT	SUPPORT	HALTERUNG	SOPORTE
5	F01230073	DADO M14X 2 D982 8 ZN	SELF LOCK. NUT M14X2 D982 8 ZN	ECROU AUTOBL. M14X2 D982 8 ZN	SELBSTSP.MUTT. M14X2 D982 8 ZN	TUERCA AUTOBL. M14X2 D982 8 ZN
6	G16910360	CILINDRO SE 25X35-100	CYLINDRE SE 25X35-100	CYLINDRE SE 25X35-100	ZYLINDER SE 25X35-100	CILINDRO SE 25X35-100
7	F01020198	VITE M14X2X45 U5737 8.8 ZN	SCREW M14X2X45 U5737 8.8 ZN	VIS 14X45 5737 8.G ZN *	SCHRAUBE 14X45 5737 8.G ZN *	TORNILLO 14X45 5737 8.G ZN *
8	F01220255	DADO M14X 2 D980 8 ZN	NUT- TRISTOP M14X2 D980 8 ZN	ECROU TRISTOP M14X2 D980 8 ZN	MUTTER TRISTOP M14X2 D980 8 ZN	TUERCA TRISTOP M14X2 D980 8 ZN
9	G16070930	LEVA SOLLEVAMENTO	LIFTING LEVER	LEVIER LEVAGE	HEBEL HEBUNG	PALANCA LEVANTAMIENTO
10	F01020128	VITE M10X1,5X80 U5737 8.8 ZN	SCREW M10X1,5X80 U5737 8.8 ZN	VIS M10X1,5X80 U5737 8.8 ZN	SCHRAUBE M10X1,5X80 U5737 8.8	TORNIL.M10X1,5X80 U5737 8.8 ZN
11	G16070850	BRACCIO SUPPORTO DISCO	DISK ARM	BRAS DISQUE	SCHEIBENARM	BRAZO DISCO
12	F02200227	COPIGLIA 5X 30 U1336 ZN	SPLIT PIN 5 X30 1336 GALVAN.	GOUPILLE 5 X30 1336 ZN	SPLINT 5 X30 1336 ZN	PASADOR 5 X30 1336 ZN
13	G14212010	CHIAVISTELLO PUNTELLO PIEGH.ZN				
14	G13812311	CATENELLA CON MOSCHETTONE	CHAIN WITH SPRING CATCH	CHAINETTE AVEC MOUSQUETON	KETTE MIT KARABINERHAKEN	CADENA CON GANCHO
15	F02200452	SPINA SCATTO D.4.4 B/80 ZN	SNAP PIN D4,4 B/80 ZN	FICHE A DETENTE D4,4 B/80 ZN	EINRASTSTIFT D4,4 B/80 ZN	CLAVIJA DE MUELLE D4,4 B/80 ZN
16	G15317292	MONT.DISCO SEGNAFILE	COMPLETE ROW MARKER DISK	DISQUE TRACEUR COMPLET	REIHENANREISSERSCHEIBE KOMPLET	DISCO MARCADOR DE FILAS COMPL.
17	F01020512	VITE M12X1,75X35 U5739 8.8 ZN	SCREW M12X1,75X35 5739 8.8 ZN	VIS M12X1,75X35 5739 8.8 ZN	SCHR. M12X1,75X35 5739 8.8 ZN	TORN. M12X1,75X35 5739 8.8 ZN
18	F01410076	ROS.M12 13X 24X2,5 U6592 ZN	WASHER D12 U6592 ZN	RONDELLE D12 U6592 ZN	SCHEIBE D12 U6592 ZN	ARANDELA D12 U6592 ZN
19	G16070920	SCONTRO 100X20 -10 2M12 80	STRIKER PLATE 100X20 -10 2M12	BUTEE 100X20 -10 2M12 80	ANSCHLAG 100X20 -10 2M12 80	ELEMENTO DE EMPALME 100X20
20	F20120349	PUNTALE Q.50 ALETT.POLIT.NERO	CAP	BOUCHON	DECKEL	CORCHO
21	F01020130	VITE M10X1,5X90 U5737 8.8 ZN	BOLT M 10X90	VIS M 10X90	SCHRAUBE M 10X90	TORNILLO M 10X90
22	G18903540	MOLLA TRAZIONE SCARPETTE	PLANTER SHOE TRACTION SPRING	RESSORT TRACTION SABOTS	ZUGFEDER SZSCHAREN	MUELLE TRACCIN GUA APOYO AR
23	G16041240	CATENA GENOVESE D.5 L.79 ZN	GENOAN CHAIN D.5 L.79 ZN	CHAINE GENOISE D.5 L.79 ZN	KETTE GENOVESE D.5 L.79 ZN	CADENA GENOVESA D.5 L.79 ZN
24	F01220022	DADO M 8X1,25 D980 8 ZN	NUT M8X 1,25 D980 8 ZN	ECROU M8X 1,25 D980 8 ZN	MUTTER M8X 1,25 D980 8 ZN	TUERCA M8X 1,25 D980 8 ZN
25	F01420048	ROS.M8 8,4X 24X 2 U6593 ZN	WASHER M8 8,4X 24X 2 U6593 ZN	RONDELLE M8 8,4X 24X2 U6593 ZN	SCHEIBE M8 8,4X 24X 2 U6593 ZN	ARANDELA M8 8,4X 24X2 U6593 ZN
26	F01060040	VITE M8X1,25X20 U5732 4.6 ZG	SCREW M8X1,25X20 U5732 4.6 ZN	VIS M8X1,25X20 U5732 4.6 ZN	SCHRA. M8X1,25X20 U5732 4.6 ZN	TORN. M8X1,25X20 U5732 4.6 ZN
27	G16070900	VALVOLA CABLATATA	VALVE	SOUPAPE	VENTIL	VALVULA
28	F01500012	RONDELLA IN RAME 1/4"	WASHER 13 X19X1,5 - 1/4"	RONDELLE	SCHEIBE	ARANDELA
29	F03150266	NIPPOLO MM CIL-CIL 1/4-1/4 ZN	NIPPLE GALV.CYL.MALE 1/4 ZN	NIPPLE MALE CYL. 1/4 ZN	NIPPELZYL.1/4 ZN	NIPLE MACHO CIL.1/4 ZN
30	F03150045	NIPPOLO MF GIREVOLE 1/4 ZN CIL	NIPPLE MF REVOLV. 1/4 ZN CIL.	NIPPLE MF GIREVOLE 1/4 ZN CIL.	NIPPEL MF GIREV. 1/4 ZN. CIL	NIPLE MF GIREVOLE 1/4 ZN CIL.
31	F03151217	RACCORDO -T- LATER.M-M-FG 1/4	T M-FG-M LATER.CONNECTION PIPE	RACCORD T M-FG-M 1/4	ANSCHLUSST M-FG-M 1/4	UNION T M-HG-M 1/4
32	G22505140	TUBO 1/4R2 C-F 1/4 L.2350 LM	PIPE 1/4R1 C-F 1/4 L.2350 LM	TUBE 1/4R1 C-F 1/4 L. 2350 LM	ROHR 1/4R1 C-F 1/4 L.2350 LM	TUBO 1/4R1 C-F 1/4 L.2350 LM
33	F03151226	REGOL.DI FLUSSO VRF 1/4" GAS	1/4" GAS VALVE VRF	SOUPAPE REG DEBIT VRF 1/4" GAZ	VENITL VRF 1/4" GAS	VæLVULA VRF 1/4" GAS
34	G15317283	ASS.SUPPORTO DISCO SEGNAFILE				
35	F02050370	ANELLO E. DI 47X1,75 U7437 C70	SEEGER RING 47X 1,75 U7437 C70	SEEGER E. 47X 1,75 U7437 C70	SEEGERING E. 47X1,75 U7437 C70	ANILLO E. 47X 1,75 U7437 C70
36	F04010156	CUSC.d20 D47 B14 6204 2RSH	BEARING d20 D47 B14 6204 2RSH			
37	G18801270	BOCCOLA 21 X25 X12 ZN	BUSHING 21 X 25 X 12 ZN	BOITE 21 X25 X12 ZN	BsCHSE 21 X25 X12 ZN	CASQUILLO 21 X25 X12 ZN
38	G16610160	SUPP.CUSCINETTI DISCO SEGN.ZN.	GALVAN. ROWMARKER DISK BEARING	SUPPORT ROULEMENTS DISQUE TRAC	SCHEIBENLAGERHALTERUNG	SOPORTE COJINETE DE DISCO MARC
39	F03010576	ANELLO OR 50,52X1,78 NBR	GASKET OR 50,52X1,78 NBR	BAGUE OR 50,52X1,78 NBR	RING OR 50,52X1,78 NBR	ANILLO OR 50,52X1,78 NBR
40	G16072590	DISCO SEGNAFILE D.350	ROW MARKER DISK D.350	DISQUE TRACEUR D350	SPURREISSERSCHEIBE D. 350	DISCO MARCADOR DE FILAS O 350
41	G16610190	CHIUSURA CUSCINETTO ZN				
42	F01230098	DADO M18X 2,5 D982 8 ZN	NUT M18X 2,5 D982 8 ZN	ECROU M18X 2,5 D982 8 ZN	MUTTER M18X 2,5 D982 8 ZN	TUERCA M18X 2,5 D982 8 ZN
43	F01060040	VITE M8X1,25X20 U5732 4.6 ZG	SCREW M8X1,25X20 U5732 4.6 ZN	VIS M8X1,25X20 U5732 4.6 ZN	SCHRA. M8X1,25X20 U5732 4.6 ZN	TORN. M8X1,25X20 U5732 4.6 ZN
44	F01200244	DADO M 8X1,25 U5588 6.8 ZN	NUT M8 X1,25 U5588 6.8 ZN	ECROU M8 X1,25 U5588 6.8 ZN	MUTTER M8 X1,25 U5588 6.8 ZN	TUERCA M8 X1,25 U5588 6.8 ZN
45	G16610430	FONDELLO ZN.	BOTTOM ZN.			
46	F03100200	KIT GUARNIZ.CILINDRO 16910360	16910360 CYLINDER GASKETS	JOINTS CYLINDRE 16910360	DICHTUNG ZYLINDER 16910360	PROTECCIONES CILINDRO 16910360



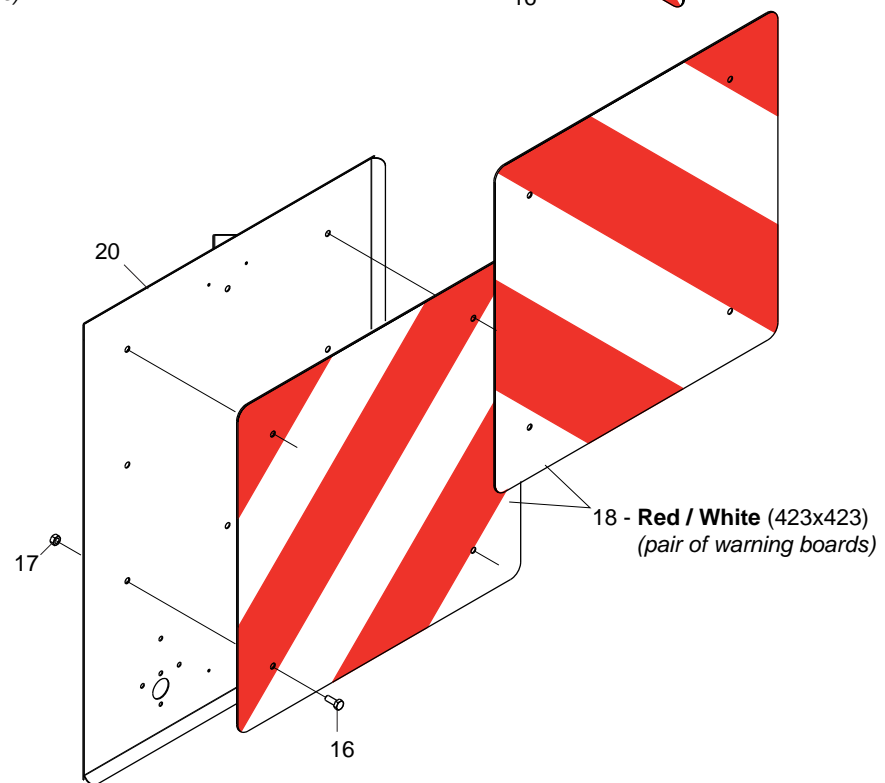
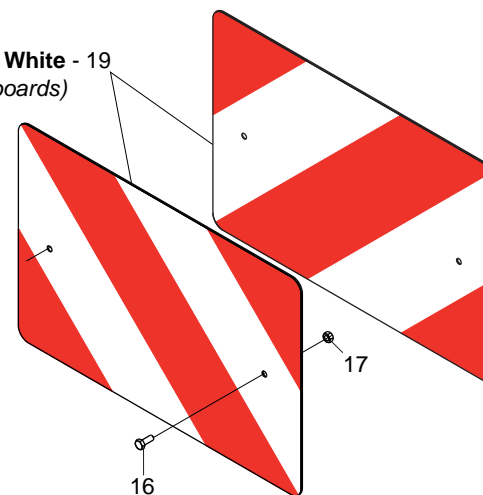
# SOLLEVAMENTO OLEODINAMICO SEMINATRICE / RUOTA TRASMISSIONE

TAV. 170

Pos.	Cod.	Descrizione	Description	Description	Benennung	Description
1	G16314460	SUPP.CILINDRO SOLLEVAM.RUOTA				
2	G16314470	SOLLEVAMENTO RUOTA				
3	G07002278	CILINDRO IDR.35X18X85	WATER CYLINDER 35X18X85	CYLINDRE HYDRAUL. 35X18X85	HYDRAULIKZYLINDER 35X18X85	CILINDRO HIDRÆULICO 35X18X85
4	G16314210	SUPPORTO CILINDRO				
5	G07000403	DISTANZIALE D.18X11X56 ZN	GALVANIZED SPACER D.18X11X56	ENTRETOISE D.18X11X56 ZN	DISTANZSTsCK D.18X11X56 ZN	DISTANCIADOR D.18X11X56 ZN
6	F01020128	VITE M10X1,5X80 U5737 8.8 ZN	SCREW M10X1,5X80 U5737 8.8 ZN	VIS M10X1,5X80 U5737 8.8 ZN	SCHRAUBE M10X1,5X80 U5737 8.8	TORNIL.M10X1,5X80 U5737 8.8 ZN
7	F01220033	DADO M10X 1,5 D980 8 ZN	NUT M10X 1,5 D980 8 ZN	ECROU M10X 1,5 D980 8 ZN	MUTTER M10X 1,5 D980 8 ZN	TUERCA M10X 1,5 D980 8 ZN
8	F02100141	SPINA E.P. 8X 36 U6873 C70 BR	PIN EL. 8X 36 U6873 C70 BR	FICHE EL. 8X 36 U6873 C70 BR	SPANNSTIFT 8X 36 U6873 C70 BR	CLAVIJA EL. 8X 36 U6873 C70 BR
9	F01020166	VITE M12X1,75X80 U5737 8.8 ZN	SCREW M12X1,75X80 U5737 8.8 ZN	VIS M12X1,75X80 U5737 8.8 ZN	SCHRA.M12X1,75X80 U5737 8.8 ZN	TORN. M12X1,75X80 U5737 8.8 ZN
10	F01220048	DADO M12X1,75 D980 8 ZN	NUT M12X1,75 D980 8 ZN	ECROU M12X1,75 D980 8 ZN	SCHEIBE M12X1,75 D980 8 ZN	TUERCA M12X1,75 D980 8 ZN
11	F01020198	VITE M14X2X45 U5737 8.8 ZN	SCREW M14X2X45 U5737 8.8 ZN	VIS 14X45 5737 8.G ZN *	SCHRAUBE 14X45 5737 8.G ZN *	TORNILLO 14X45 5737 8.G ZN *
12	F01230073	DADO M14X 2 D982 8 ZN	SELF LOCK. NUT M14X2 D982 8 ZN	ECROU AUTOBL. M14X2 D982 8 ZN	SELBSTSP.MUTT. M14X2 D982 8 ZN	TUERCA AUTOBL. M14X2 D982 8 ZN
13	G16314840	CILINDRO DE 30X60 -200				
14	F03150310	NIPPLO MM CIL-CIL 3/8-1/4 ZN	NIPPLE CYL.MALE3/8-1/4 ZN	NIPPLE MALE CYL.3/8-1/4 ZN	NIPPELZYL.3/8-1/4 ZN	NIPLE MACHO CIL.3/8-1/4 ZN
15	F03151240	ROS. 17 X23X1,5 RAME -3/8"	COPPER WASHER 17X23X1,5 3/8"	RONDELLE CUIVRE 17X23X1,5 3/8"	SCHEIBE KUPFER 17X23X1,5 3/8"	ARADNDELA COBRE 17X23X1,5 3/8"
16	F02100089	SPINA E.P. 5X 36 U6873 C70 BR	PIN EL. 5X 36 U6873 C70 BR	FICHE EL. 5X 36 U6873 C70 BR	STIFT EL. 5X 36 U6873 C70 BR	CLAVIJA EL. 5X 36 U6873 C70 BR
17	F05150325	CAPPUC.F X INN.M RAP.1/2 ROSSO	COVER CONNECT F 1/2 RED	COUVERCLE CONNEXION F 1/2 ROSE	DECKEL W 1/2 SCHNELLKUPP. ROT	PAC PROTECCION F 1/2 ROJO
18	F03150935	INNESTO RAP.MASCH.1/2 A VALV.	QUICK CONNECT MALE CONE 1/2	CONNEXION RAPIDE MALE CONE 1/2	SCHNELLKUPP.GEWINDE KONISC 1/2	ACOPLAMIEN.RAP.MACHO CONO 1/2
19	F03151237	ROS. 21 X27X1,5 RAME -1/2"	COPPER WASHER 21X27X1,5 1/2	RONDELLE CUIVRE 21X27X1,5 1/2	SCHEIBE KUPFER 21X27X1,5 1/2	ARANDELA COBRE 21X27X1,5 1/2
20	F03150211	NIPPLO MM CIL-CIL 1/2-1/4 ZN	NIPLE MM CIL-CIL 1/4-1/2 ZN	NIPLE MM 1/4-1/2 ZN	NIPLE GG 1/4-1/2 ZN	NIPLE MM 1/4-1/2 ZN
21	F03151216	RACCORDO -T- CENTR.M-FG-M 1/4	UNION T M-M-F 1/4' ZN	RACCORD T M-M-F 1/4' ZN	ANSCHLUSSTsCK TM-M-F 1/4' ZN	UNIN T M-M-F 1/4' ZN R
22	F01500012	RONDELLA IN RAME 1/4"	WASHER 13 X19X1,5 - 1/4"	RONDELLE	SCHEIBE	ARANDELA
23	G16011690	NIPPLO MM 1/4-1/4 FORO 1,0	UPRIGHT 1/4" NIPPLE WITH GRUB	MONTANT NIPPLE 1/4 AVEC GRAIN	STZNDER NIPPEL 1/4 MIT STIFT 8	MONT.NIPLE 1/4 TORNIL.SIN CABE
24	G15210631	TUBO 1/4R2 CF1/4- F1/4 3000	PIPE 1/4R2 CF1/4- F1/4 3000	TUBE 1/4R2 CF1/4- F1/4 3000	ROHR 1/4R2 CF1/4- F1/4 3000	TUBO 1/4R2 CF1/4- F1/4 3000
25	G23440517	TUBO 1/4R2 C-F 1/4 L2000 HL/ID	PIPE 1/4R2 C-F 1/4 L2000 HL/ID	TUBE 1/4R2 C-F 1/4 L2000 HL/ID	ROHR 1/4R2 C-F 1/4 L2000 HL/ID	TUBO 1/4R2 C-F 1/4 L2000 HL/ID
26	F20100133	PERNO D25 L122 C43 ZN	PIN D25 L122 C43 ZN	BOULON D25 L122 C43 ZN	BOLZEN D25 L122 C43 ZN	PERNO D25 L122 C43 ZN
27	F02200529	SPINA SCATTO D.11 ZN	SNAP PIN D.11	FICHE A DETENTE D.11	EINRASTSTIFT D.11	CLAVIJA DE MUELLE D.11
28	G18802750	BOCCOLA 25 X40 X16 ZN	BUSHING	BOITE	BsCHSE	CASQUILLO
29	F05150058	FASCETTA POLYAM.7,8X550 31920				
30	G14214131	TUBO 1/4R2 CF1/4-F1/4 L.5300	PIPE 1/4R2 CF1/4-F1/4 L.5300	TUBE 1/4R2 CF1/4-F1/4 L.5300	ROHR 1/4R2 CF1/4-F1/4 L.5300	TUBO 1/4R2 CF1/4-F1/4 L.5300
31	F03100179	KIT GUARNIZ.CILINDRO 07002278	KIT O-RING CYLINDER 07002278	KIT GARNIT. CYLINDRE 07002278	KIT DICHT.OR ZYLINDER07002278	SET JUNTA OR CILINDRO07002278



(423x282) Red / White - 19  
(pair of warning boards)





# KIT LUCI E TABELLE D'INGOMBRO

TAV. 160

Pos.	Cod.	Descrizione	Description	Description	Benennung	Descripcion
1	G17917040	ASS.SUPPORTO FANALI				
2	G16715250	SUPPORTO TABELLA				
3	F01220022	DADO M 8X1,25 D980 8 ZN	NUT M8X 1,25 D980 8 ZN	ECROU M8X 1,25 D980 8 ZN	MUTTER M8X 1,25 D980 8 ZN	TUERCA M8X 1,25 D980 8 ZN
4	F01220033	DADO M10X 1,5 D980 8 ZN	NUT M10X 1,5 D980 8 ZN	ECROU M10X 1,5 D980 8 ZN	MUTTER M10X 1,5 D980 8 ZN	TUERCA M10X 1,5 D980 8 ZN
5	F01020436	VITE M 8X1,25X 20 U5739 8.8 ZN	SCREW M8X1,25X20 U5739 8.8 ZN	VIS M8X1,25X20 U5739 8.8 ZN	SCHRA. M8X1,25X20 U5739 8.8 ZN	TORN. M8X1,25X20 U5739 8.8 ZN
6	F01410051	ROS.M8 8,4X 17X1,6 U6592 ZN	WASHER M8 8,4X17X1,6 U6592 ZN	RONDEL. M8 8,4X17X1,6 U6592 ZN	SCHEIBE M8 8,4X17X1,6 U6592 ZN	ARANDELA M8 8,4X17X1,6 U6592ZN
7	F20110715	CAV.Q.M10X 1,5X 30 61X 80 ZN	STRIKER M10X 1,5X 30 61X 80 ZB	BUTEE M10X 1,5X 30 61X 80 ZB	ANSCHLAG M10X 1,5X 30 61X 80	EL. DE EMPALME M10X 1,5X 30
8	F05010357	N.2 PANNELLI CARICHI SPORGENTI	N.2 JUTTING LOAD PANELS	N.2 PANNEAUX CHARGES SAILLANT	N.2 TAFELN VORSPRINGENDE LADUN	2 PANELES CARGADOS SALIENTES
9	F06220010	VOLANTINO 4 LOBI M12X25	8-LOBE HANDWHEEL M12X25	VOLANT 8 LOBES M12X25	HANDRAD 8 BUCKEL M12X25	VOLANTE 8 LOBI M12X25
10	G67008050	TERMINALE ROTONDO 28	ROUND END 28	PIECE TERMIN.RONDE 28	RUNDER ABSCHLUSS 28	TERMINAL REDONDO 28
11	G17912000	KIT LUCI EUROTRIS COMPL				
12	F05010080	CABLAGGIO PER KIT LUCI	LIGHT WIRING HARNESS	CABLAGE KIT PHARES	VERKABELUNG LAMPENKIT	CABLEADO JUEGO LUCES
13	F05010076	FANALE X KIT LUCI	LAMP KIT LIGHTS COMPL.	FEU KIT ECLAIRAGE COMPL.	LAMPEN KIT LICHT KOMPL.	FAROL SET LUCES COMPL.
14	F05010221	CATARIFRANGENTE TONDO D.80 >	D.80 ROUND REFLECTOR	CATADIOPTRE ROND D.80	RUNDER R_CKSTRAHLER D.80	PAPEL REFRACTARIO REDONDO D.80
15	F01220200	DADO M 5X 0,8 D980 8 ZN	NUT M5X 0,8 D980 8 ZN	ECROU M5X 0,8 D980 8 ZN	MUTTER M5X 0,8 D980 8 ZN	TUERCA M5X 0,8 D980 8 ZN
16	F01020403	VITE M6X1X16 U5739 8.8 ZN	SCREW M6X1X16 U5739 8.8 ZN	VIS M6X1X16 U5739 8.8 ZN	SCHRAUBE M6X1X16 U5739 8.8 ZN	TORNILLO M6X1X16 U5739 8.8 ZN
17	F01220011	DADO M 6X 1 D980 8 ZN	NUT M6X1 D980 8 ZN	ECROU M6X1 D980 8 ZN	MUTTER M6X1 D980 8 ZN	TUERCA M6X1 D980 8 ZN
18	F05010590	PANNELLI CAR.SPORG.423X423				
19	F05010591	PANNELLI CAR.SPORG.423X282				
20	G17312780	SUPPORTO PANNELLI				

**USATE SEMPRE RICAMBI ORIGINALI  
ALWAYS USE ORIGINAL SPARE PARTS  
IMMER DIE ORIGINAL-ERSATZTEILE VERWENDEN  
EMPLOYEZ TOUJOURS LES PIECES DE RECHANGE ORIGINALES  
UTILIZAR SIEMPRE REPUESTOS ORIGINALES**

# **GASPARDO**

**Servizio Assistenza Tecnica - After Sales Service  
Servizio Ricambi - Spare Parts Service  
+39 0434 695410**

DEALER:



**MASCHIO GASPARDO SpA**  
**Registered office & Production plant**  
Via Marcello, 73 - 35011 Campodarsego (Padova) - Italy  
Tel. +39 049 9289810  
Fax +39 049 9289900  
info@maschio.com  
www.maschionet.com

**000 МАСКИО-ГАСПАРДО РУССИЯ**  
Улица Пушкина, 117 Б  
404126 Волжский  
Волгоградская область  
Тел. +7 8443 515152  
факс. +7 8443 515153  
info@maschio.ru

**MASCHIO GASPARDO SpA**  
**Production plant**  
Via Mussons, 7 - 33075  
Morsano al Tagliamento (PN) - Italy  
Tel. +39 0434 695410  
Fax +39 0434 695425  
info@gaspardo.it

**MASCHIO-GASPARDO ROMANIA S.R.L.**  
Strada Înfrâtririi, F.N.  
315100 Chisineu-Cris (Arad) -România  
Tel. +40 257 307030  
Fax +40 257 307040  
info@maschio.ro

**MASCHIO DEUTSCHLAND GMBH**  
Äußere Nürnberger Straße 5  
D - 91177 Thalmässing - Deutschland  
Tel. +49 (0) 9173 79000  
Fax +49 (0) 9173 790079  
dialog@maschio.de  
www.maschio.de

**MASCHIO-GASPARDO North America**  
120 North Scott Park Road  
Eldridge, IA 52748 - USA  
Ph. +1 563 2859937  
Fax +1 563 2859938  
info@maschio.us



**MASCHIO FRANCE Sarl**  
1, Rue de Mérignan ZA  
F - 45240 La Ferte St. Aubin  
France  
Tel. +33 (0) 2.38.64.12.12  
Fax +33 (0) 2.38.64.66.79  
info@maschio.fr

**MASCHIO-GASPARDO IBERICA  
MASCHIO-GASPARDO POLAND  
MASCHIO-GASPARDO UKRAINA  
GASPARDO-MASCHIO TURCHIA  
MASCHIO-GASPARDO CINA**