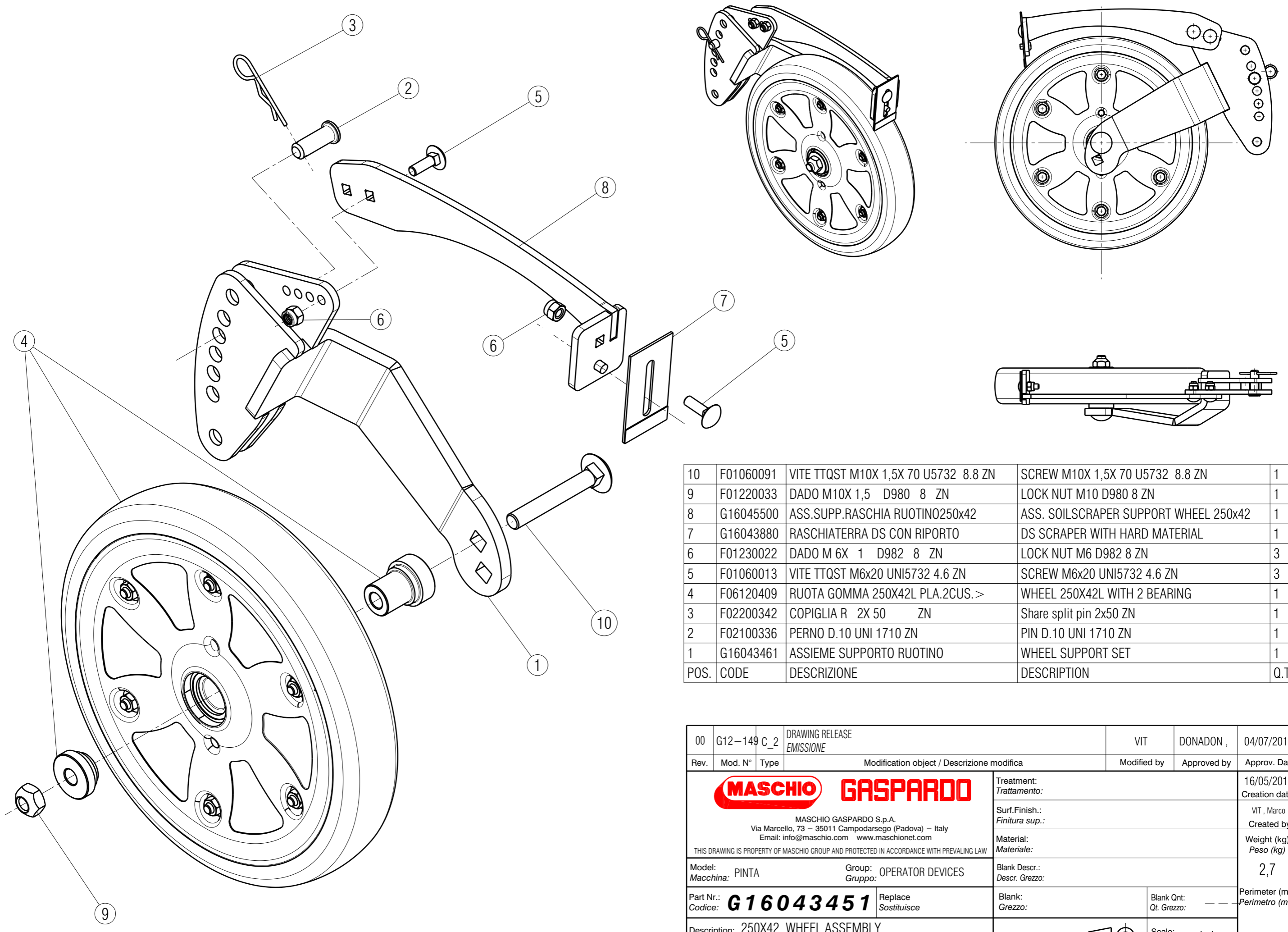


SUPPLY SPECIFICATIONS / SPECIFICHE DI FORNITURA
 Remove all punching burrs after machining or press-forming process, draft angle 2°, fillets not quoted R=1, chamfers not quoted: 0.5x45°. For other specifications please contact the Technical Department.
 Eliminare bave e spigoli da lavorazione o stampaggio, sforni generali 2°, raggi non quotati: R=1, smussi non quotati: 0.5x45°. Per ogni ulteriore specifica, contattare l'Ufficio Tecnico

\square 0.4	-0.2/100
\circ 0.4	//0.2/100
\odot 0.25	\perp 0.2/100

Angles $\pm 0.5^\circ$
 Angoli $\pm 0.5^\circ$

General tolerance - Tolleranza generale: UNI EN 22768/1 - M		
Length and Diam. Lungh. e Diametri	0.00	315
	6.00	1000
Tolerance Tolleranza	± 0.1	2000
	± 0.2	4000
		± 3.0



POS.	CODE	DESCRIZIONE	DESCRIPTION	Q.TY
10	F01060091	VITE TTQST M10X 1,5X 70 U5732 8.8 ZN	SCREW M10X 1,5X 70 U5732 8.8 ZN	1
9	F01220033	DADO M10X 1,5 D980 8 ZN	LOCK NUT M10 D980 8 ZN	1
8	G16045500	ASS.SUPP.RASCHIA RUOTINO250x42	ASS. SOILSCRAPER SUPPORT WHEEL 250x42	1
7	G16043880	RASCHIATERRA DS CON RIPTO	DS SCRAPER WITH HARD MATERIAL	1
6	F01230022	DADO M 6X 1 D982 8 ZN	LOCK NUT M6 D982 8 ZN	3
5	F01060013	VITE TTQST M6x20 UNI5732 4.6 ZN	SCREW M6x20 UNI5732 4.6 ZN	3
4	F06120409	RUOTA GOMMA 250X42L PLA.2CUS.>	WHEEL 250X42L WITH 2 BEARING	1
3	F02200342	COPIGLIA R 2X 50 ZN	Share split pin 2x50 ZN	1
2	F02100336	PERNO D.10 UNI 1710 ZN	PIN D.10 UNI 1710 ZN	1
1	G16043461	ASSIEME SUPPORTO RUOTINO	WHEEL SUPPORT SET	1
POS.	CODE	DESCRIZIONE	DESCRIPTION	Q.TY

00	G12-149	C_2	DRAWING RELEASE EMISSIONE	VIT	DONADON	04/07/2013
Rev.	Mod. N°	Type	Modification object / Descrizione modifica	Modified by	Approved by	Approv. Date
			MASCHIO GASPARDO MASCHIO GASPARDO S.p.A. Via Marcello, 73 - 35011 Campodarsego (Padova) - Italy Email: info@maschio.com www.maschionet.com	Treatment: Trattamento:	16/05/2013 Creation date	
				Surf.Finish: Finitura sup.:	VIT, Marco Created by	
			THIS DRAWING IS PROPERTY OF MASCHIO GROUP AND PROTECTED IN ACCORDANCE WITH PREVALING LAW	Material: Materiale:	Weight (kg) Peso (kg)	
			Model: Macchina: PINTA	Blank Descr.: Descr. Grezzo:	2,7	
			Group: OPERATOR DEVICES	Blank: Grezzo:	Blank Qty: Qt. Grezzo:	Perimeter (mm) Perimetro (mm)
			Part Nr.: Codice: G16043451	Replace Sostituisce		
			Description: 250X42 WHEEL ASSEMBLY Descrizione: MONTAGGIO RUOTINO 250X42	European method	Scale: Scala: 1:1	