

**MASCHIO**

**GASPARDO**

**UNIGREEN**



**CAMPO 44-65**

**Cod: F07011288 2014-06**

- \*) Valido per Paesi UE
- \*) Valid for EU member countries
- \*) Valable dans les Pays UE
- \*) Gilt für EU-Mitgliedsländer
- \*) Válido para Países UE

- IT** PARTI DI RICAMBIO
- EN** SPARE PARTS
- DE** ERSATZTEILE
- FR** PIÈCES DÉTACHÉES
- ES** PIEZAS DE REPUESTO

## ITALIANO

## PARTI DI RICAMBIO

Le ordinazioni delle parti di ricambio vanno fatte presso i nostri concessionari di zona e devono essere sempre corredate dalle seguenti indicazioni:

- **Tipo, modello e numero di matricola dell'attrezzatura.** Tali dati sono stampigliati nell'apposita targhetta di cui è dotata ogni attrezzatura.
- **Numero di codice della parte richiesta** rilevabile dal catalogo ricambi.
- **Descrizione del particolare e quantità richiesta.**
- **Numero della tavola.**
- **Mezzo di trasporto.** Nel caso questa voce non sia specificata, la Ditta Costruttrice, pur dedicando a questo servizio una particolare cura, non risponde di eventuali ritardi di spedizione dovuti a cause di forza maggiore. Le spese di trasporto si intendono sempre a carico del destinatario. La merce viaggia a rischio e pericolo del committente anche se venduta franco destino.

**NOTA:** Il termine **(Dx) Destro** o **(Sx) Sinistro** della macchina o di parti di essa, è inteso guardando la macchina dalla parte posteriore. Le eccezioni saranno indicate.

## ENGLISH

## SPARE PARTS

*Orders must be transmitted through our area dealers and should always include the following indications:*

- **Type, model and serial number of the machine.** *These data are punched on the data plate with which every implement is equipped.*
- **Code number of the required spare part.** *This will be found in the spare parts catalogue.*
- **Description of the part and required quantity.**
- **Table number.**
- **Means of dispatch.** *If this item is not indicated, the Manufacturer, while dedicating particular care to this service, shall not be held responsible for delays in delivery caused by cases of force majeure. Transport expenses shall always be at the consignee's charge. The goods travel at the purchaser's risk and peril even when sold ex destination.*

**NOTE:** *The symbols (Dx) right and (Sx) left, concerning the machine or single parts of it, are referred, as in the figure, to a rear view of them. Exceptions will be indicated.*

## DEUTSCH

## ERSATZTEILE

Die Bestellungen müssen bei unseren Gebietshändler aufgegeben werden. Bei der Bestellung sind stets die folgenden Angaben zu machen:

- **Typ, Modell und Serien-Nummer des Geräts.** Diese Daten stehen auf dem Typenschild, mit dem jedes Gerät versehen ist.
- **Artikel Nr. der erforderlichen Ersatzteile.** Diese stehen im Ersatzteil-Katalog.
- **Beschreibung des Ersatzteils und die erforderliche Stückzahl.**
- **Tafelnummer.**
- **Versandmittel.** Wenn dieser Punkt nicht spezifiziert wird, haftet die Herstellerfirma nicht für etwaigen Lieferverzug aufgrund höherer Gewalt, auch wenn er diesen Service besonders aufmerksam abwickelt. Die Frachtkosten gehen dagegen immer zu Lasten des Empfängers. Die Ware reist auf Gefahr und Risiko des Auftraggebers, auch wenn frei Haus Verkauft vereinbart worden ist.

**N.B.:** Die Merkzeichen **(Dx) rechts** und **(Sx) links** betreffen eine rückwärtige Aussicht der Maschine oder Teile von ihr (siehe Bild). Ausnahmen werden gezeigt.

## FRANÇAIS

## PIECES DÉTACHÉES

*Les ordres doivent être effectués auprès de nos concessionaires de zone en précisant les indications suivantes:*

- **Type, modèle et numéro de série de la machine.** *Ces données sont gravées sur la plaque d'identification de chaque outil.*
- **Numéro de code de la pièce détachée** *indiqué sur le catalogue des pièces détachées.*
- **Description de la pièce et quantité requise.**
- **Numéro de plan.**
- **Moyen d'expédition.** *Si cette rubrique n'est pas indiquée, le Constructeur, bien que soucieux de ce service, ne répond pas des retards d'expédition pour des causes de force majeure. Les frais de transport sont toujours à la charge du destinataire. La marchandise voyage aux risques et périls de l'acheteur même si vendue franco de port.*

**N.B.:** *Les références (Dx) droit et (Sx) gauche de la machine ou des parties de la même, est entendue, comme de la figure, en regardant la machine de derrière dans le sens de marche.*

## ESPAÑOL

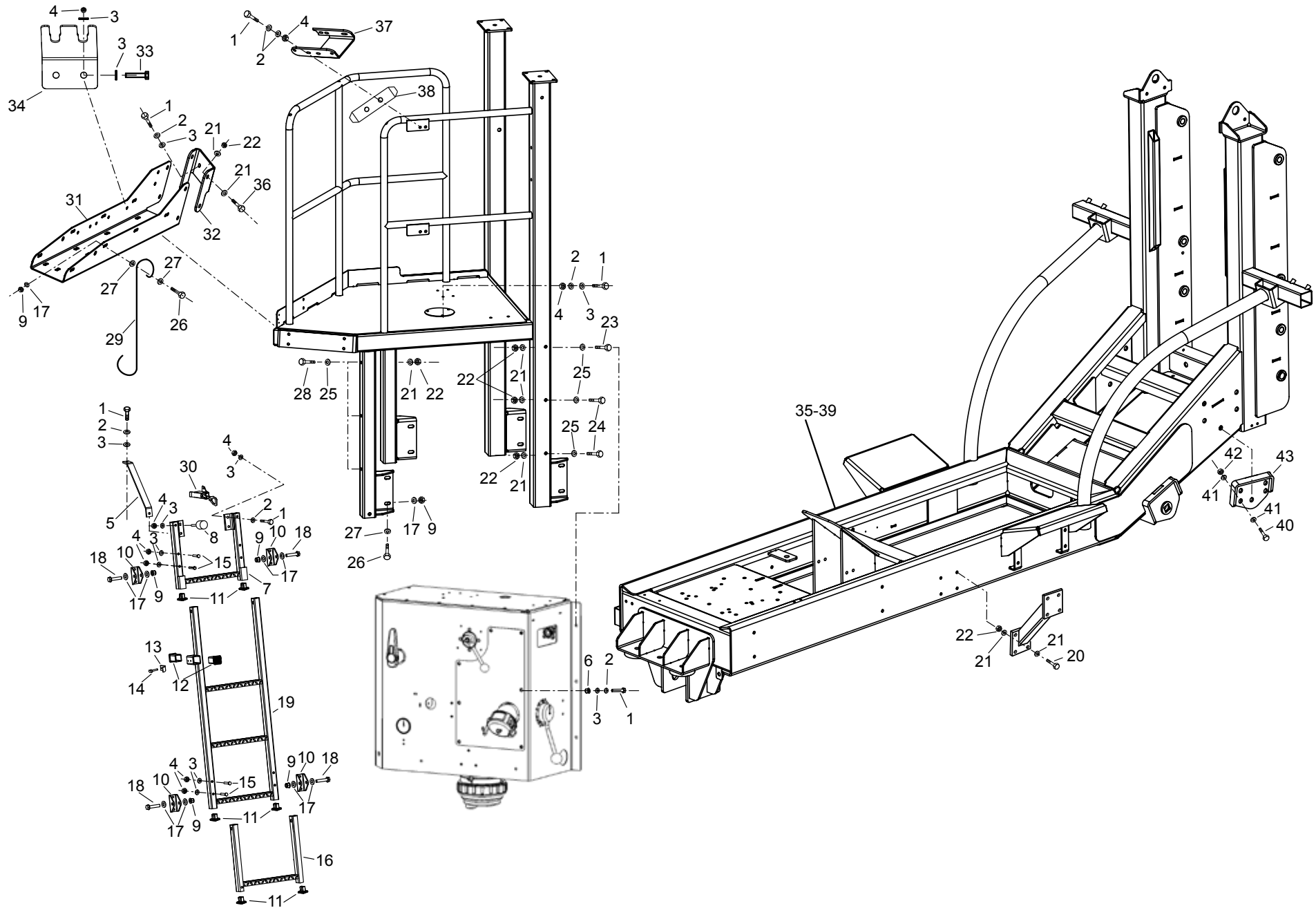
## RESPUESTOS

Los pedidos han de efectuarse en nuestros consesionarios de zona y deben incluir siempre las siguientes indicaciones:

- **Tipo, modelo y número de matricula del equipo.** Dichos datos están impresos en la relativa placa presente en el equipo.
- **Número de código de la parte requerida** presente en el catálogo respuestos.
- **Descripción de la pieza y cantidad requerida.**
- **Numero de ilustración.**
- **Medio de transporte.** En caso que este ítem no esté especificado, el Fabricante, aún prestando la debidas consideraciones para este aspecto, no responde por eventuales retardos de env'o debidos a causas de fuerza mayor. Los gastos de transporte se consideran siempre a cargo del destinatario. La mercadería viaja bajo riesgo y peligro del comprador, incluso cuando se vende franco destino.

**N.B.:** La referencia **(Dx) derecha** o **(Sx) izquierda** de la máquina o de sus componentes, se entiende, como en la figura, mirando la máquina por la parte trasera. Se indicarán las excepciones.

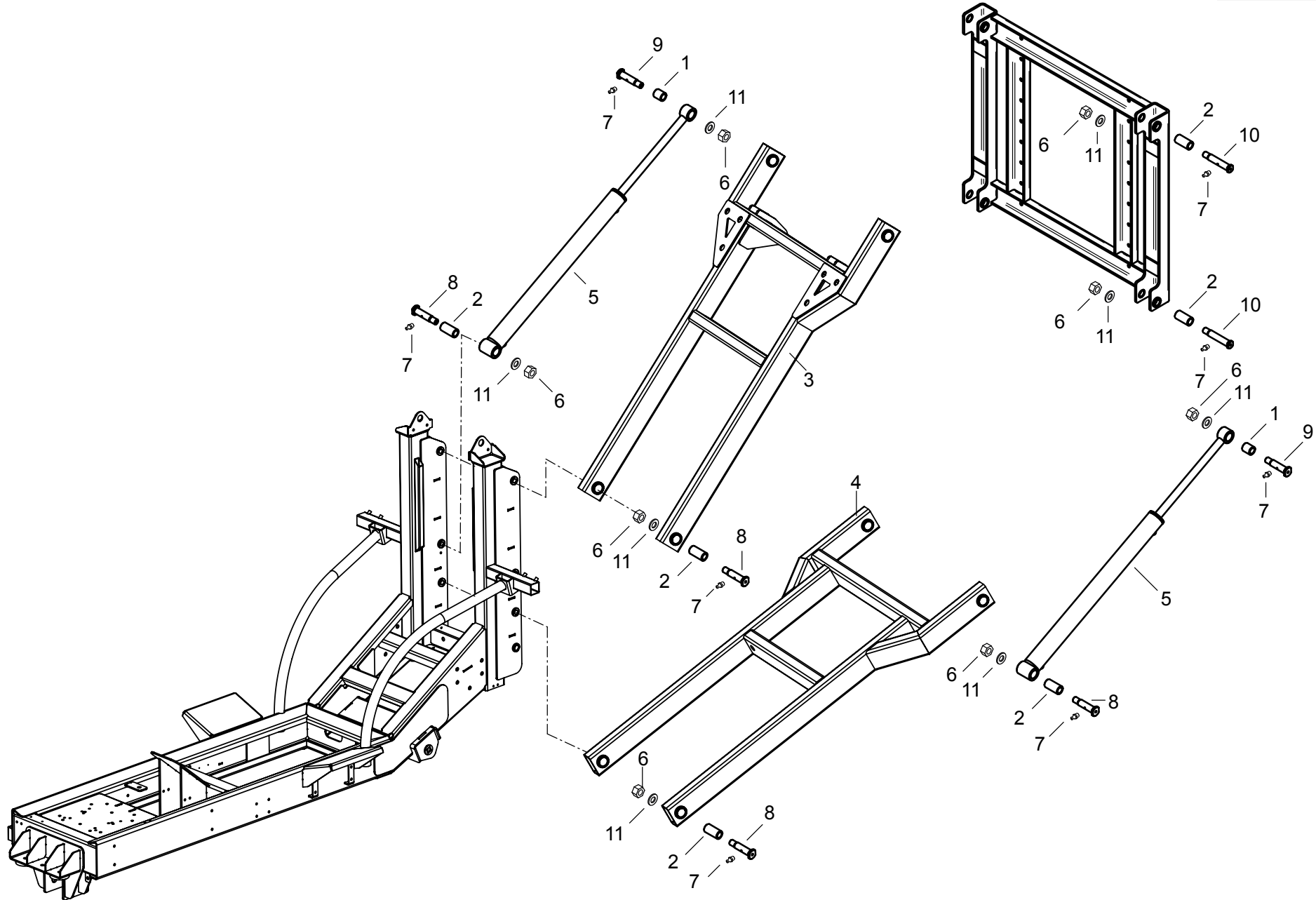
TELAIO / FRAME .....	5
SOLLEVAMENTO / LIFT .....	7
TIMONE / BAR .....	9
SUPPORTI BARRE / SUPPORT BOOMS .....	11
ASSALE STERZANTE / STEERING AXLE .....	13
ASSALE STERZANTE CON SOSPENSIONI / STEERING AXLE WITH SUSPENSIONS .....	15
SEMIASSE / SEMIAXIS .....	17
CISTERNA E VALVOLA DI SCARICO / TANK AND DRAIN VALVE .....	19
KIT MANDATA CON 2 POMPE / SUPPLY KIT WITH 2 PUMPS .....	21
KIT MANDATA CON UNA POMPA / SUPPLY KIT WITH 1 PUMP .....	23
KIT ASPIRAZIONE / SUCTION KIT .....	25
KIT ASPIRAZIONE / SUCTION KIT .....	27
AGITATORI / SHAKERS .....	29
LAVACISTERNA / WASH TANK .....	31
AGITATORI ANTISEDIMENTO / AGITATORS ANTI-SEDIMENT .....	33
TUBO FORATO / PERFORATED PIPE .....	35
COLLEGAMENTI REGOLATORE DI PRESSIONE / CONNECTIONS PRESSURE REGULATOR .....	37
COLLEGAMENTI REGOLATORE DI PRESSIONE / CONNECTIONS PRESSURE REGULATOR .....	39
FILTRO ASPIRAZIONE / SUCTION FILTER .....	41
GREENMIX T30 / GREENMIX T30 .....	43
GREENMIX T30 / GREENMIX T30 .....	45
COLLEGAMENTI SOSPENSIONI ASSALE NON STERZANTE / NON-STEER AXLE CONNECTIONS SUSPENSION .....	47
COLLEGAMENTI SOSPENSIONI CON ASSALE STERZANTE / STEER AXLE CONNECTIONS SUSPENSION .....	49
COLLEGAMENTI ASSALE STERZANTE / STEER AXLE CONNECTIONS .....	51
OILDRIVE 7 50/50 / OILDRIVE 7 50/50 .....	53
COLLEGAMENTI SOLLEVAMENTO / LIFT'S CONNECTIONS .....	55
LIVELLO CISTERNA / TANK LEVEL .....	57
TRACCIAFILE / ROW MARKER .....	59
KIT LUCI / LIGHT KIT .....	61
KIT PARAFANGHI / FENDER KIT .....	63
FRENI PNEUMATICI / PNEUMATIC BRAKES .....	65
FRENI IDRAULICI / HYDRAULIC BRAKES .....	67
COMPUTER SPRAYDOS / SPRAYDOS COMPUTER .....	69
COMPUTER BASIC TERMINAL / BASIC TERMINAL COMPUTER .....	71
AVVOLGITUBO TECNO-ROLL / TECNO-ROLL HOSE-REEL .....	73
LAVAKIT / WASH KIT .....	75
KIT ADESIVI / STICKERS KIT .....	77
KIT ADESIVI / STICKERS KIT .....	79



Telaio / Frame

TAV. 010

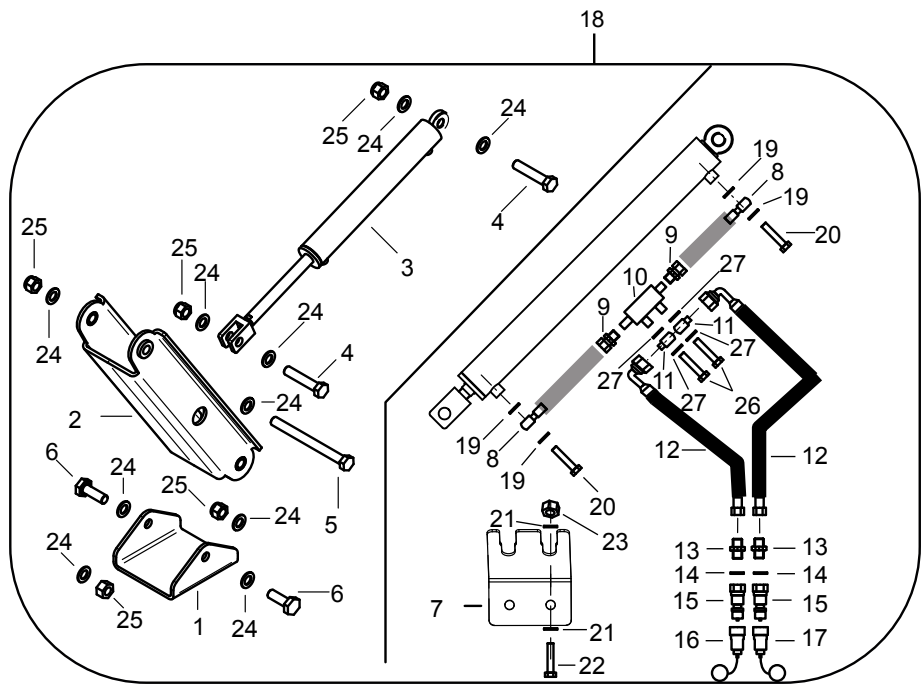
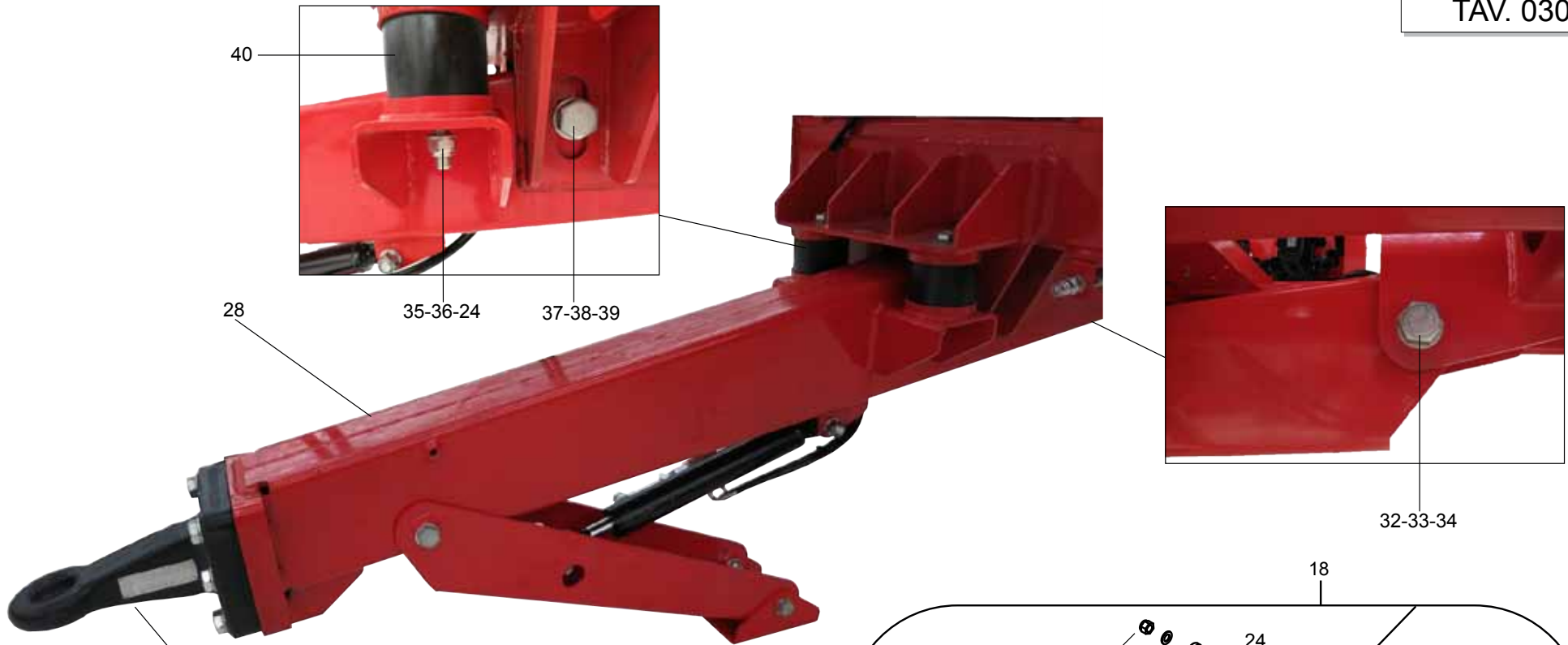
Pos.	Cod.	Descrizione	Description	Description	Benennung	Descripcion
1	F01020443	VIT.M 8X1,25X 25 U5739 A2 IX	SCR. M8X1,25X25 U5739 A2IX	VIS M8X1.25X25 U5739 A2 IX	SCHRAUBE M8X1.25X25 5739 A2 IX	TORNILLO M8X1.25X25 5739 A2 IX
2	F01480101	ROS.G 8,4X14,4X2,7	SINGLE COIL 8,4X14,4X2,7 IX	RONDEL.ELASTIQUES 8,4X14,4X2,7	FEDERRINGE 8,4X14,4X2,7 IX	ARANDELAS 8,4X14,4X2,7 IX
3	F01410050	ROS.M8 8,4X 17X1,6 U6592 IX	WASHER M8 8,4X 17X1,6 U6592 IX	RONDELLE M8 8,4X 17X1,6 IX	SCHEIBE M8 8,4X 17X1,6 IX	ARANDELA M8 8,4X 17X1,6 IX
4	F01230032	DADO M 8X1,25 D982 A2 IX	NUT M8X1,25 D982 A2IX	ECROU M 8X1,25 D982 A2 IX	MUTTER M 8X1,25 D982 A2 IX	TUERCA M 8X1,25 D982 A2 IX
5	U32030248	TIR.FIX SCALETTA CAMPO 22-32	/	/	/	/
6	U02040131	BOC FIL M8X19,5	/	/	/	/
7	U32060496	TEL.SCAL.SUPERIORE CAMPO 22-32	/	/	/	/
8	U30020384	ANTIVIBR.M8X23 M \$40X27 60SH	ANTI-VIBR. M8X23 M \$40X27 60SH	/	/	/
9	F01230059	DADO M12X1,75 D982 8 ZN	NUT M12X1,75 D982 8ZN	ECROU AUTO-FREINES M12 D982 ZN	SICHERUNGSMUTTER M12 D982 ZN	TUERCA DE SEGURIDAD M12 D982ZN
10	U30230067	SEMICER.SCAL.CAMPO 22-32	/	/	/	/
11	U32020118	TAPPO X T. Q. 30X30 SP.1-3	TAPPO X TUBO QUADRO 30X30 SP.1	/	/	/
12	F05100023	TAPPO AD ALETTE 40X40 PLT NERO	/	/	/	/
13	U05000019	CHIUSURA LEVAFINOX C/INC	CHIUS.LEVA"F"IX C/INC.2.05.00	/	/	/
14	F02250101	RIVETTO STR. 3,8X14 U9200AAL	BLIND RIVET 3,8X14 U9200AAL	/	/	/
15	F01021016	VITE M 8X1,25X 50 U5739 A2IX	SCREW M 8X1,25X 50 U5739 A2IX	/	/	/
16	U32060501	TELAIO GRADINO SUPPLEMENTA	/	/	/	/
17	F01410076	ROS.M12 13X 24X2,5 U6592 ZN	WASHER 12 13X 24X2,5 U6592 ZN	RONDEL. M12 13X24X2,5 U6592 ZN	SCHEIBE M12 13X24X2,5 U6592 ZN	ARANDELA M12 13 X24X2,5 ZN
18	F01021064	VITE M12X1,75X 65 U5737 8.8GE	/	/	/	/
19	U32060497	TEL.SCAL.INFERIORE CAMPO 22-32	/	/	/	/
20	F01021071	VITE M10X1,5 X 40 U5739 8.8GE	BOLT M10X1,5X40 U5739 8.8GE	/	/	/
21	F01410064	ROS.M10 10,5X 20X 2 U6592 ZN	WASHER M10 10,5X20X2 U6592 ZN	RONDEL. M10 10,5X20X2 U6592 ZN	SCHEIBE M10 10,5X20X2 U6592 ZN	ARANDEL.M10 10,5X20X2 U6592 ZN
22	F01230310	DADO M10X1,5 UNI7474 A2IX	NUT	/	/	/
23	F01021036	VITE M10X1,5 X100 U5737 8.8GE	BOLT	/	/	/
24	F01021032	VITE M10X1,5 X110 U5737 8.8GE	BOLT M10X1,5 X110 U5737 8.8GE	/	/	/
25	F01410064	ROS.M10 10,5X 20X 2 U6592 ZN	WASHER M10 10,5X20X2 U6592 ZN	RONDEL. M10 10,5X20X2 U6592 ZN	SCHEIBE M10 10,5X20X2 U6592 ZN	ARANDEL.M10 10,5X20X2 U6592 ZN
26	F01030520	VITE M12X1,75X 40 U5739 8.8GE	VTE M12X40 UNI5739 8.8 DACR.	/	/	/
27	F01420123	ROS.M12 13X 36X2,5 U6593 IX	WASHER M12 13X36X2,5 U6593 IX	/	/	/
28	F01021059	VITE M10X1,5 X 90 U5737 8.8GE	BOLT	/	/	/
29	U12020063	GANCIO SOSTEGNO CARDANO L=400	/	/	/	/
30	U05000019	CHIUSURA LEVAFINOX C/INC	CHIUS.LEVA"F"IX C/INC.2.05.00	/	/	/
31	U24040411	PIASTRA PORTACAVI CAMPO42	/	/	/	/
32	U24040410	PIASTRA FIX PORTACAVI CAMP	/	/	/	/
33	F01020457	VIT.M 8X1,25X 20 U5739 A2 IX	SCR. M8X1,25X20 U5739 A2IX	VIS M8 X1,25X20 U5739 A2 IX	SCHRAUBE M8X1,25X20 U5739 A2IX	TORNILLO M8X1,25X20 U5739 A2IX
34	U24040273	PIAS.SOST.2 ATTACCHI RAPIDI	/	/	/	/
35	USP000612	TELAIO CAMPO42 "2013"	/	/	/	/
36	F01020534	VITE M10X1,5 X 25 U5739 8.8GE	BOLT	/	/	/
37	U30220116	SQUAD.FIX LIVELLO SECCO 2012	/	/	/	/
38	U24040350	PIAS.BLOCCO PROF.ALLUMINIO LIV	/	/	/	/
39	USP000615	TELAIO CAMPO 60	/	/	/	/
40	F01020303	VITE M20X2,5 X 60 U5737 10.9GE	BOLT M20X2,5 X 60 U5737 10.9GE	/	/	/
41	F01410125	ROS.M20 21X 37X 3 U6592 IX	WASHERS M20 21X 37X3 U6592 IX	/	/	/
42	F01230130	DADO M20X2,5 D985 A2 IX	NUT M20X2,5 D985 A2 IX	/	/	/
43	U30021138	SUPPORTO SOSPENSIONE BPW C.42	/	/	/	/



## Sollevamento / Lift

TAV. 020

Pos.	Cod.	Descrizione	Description	Description	Benennung	Descripcion
1	U02040084	BOCCOLA \$25X35 L=40 SIBO 03540I	BOC.\$25X35 L=40 SIBO 03540I	/	/	/
2	U02040085	BOCCOLA \$25X35 L=70 SIBO 03570I	BOC.\$25X35 L=70 SIBO 03570I	/	/	/
3	U02110370	BRACCIO SUPERIORE PRLG CAM	/	/	/	/
4	U02110371	BRACCIO INFERIORE PRLG CAM	/	/	/	/
5	U04410052	CIL.IDR.AL.60 ST.30 C.650	CIL.IDR.AL.60 ST.30 C.650	/	/	/
6	U06040082	DEB MB22X1,5H19 AUB.UNI7474 6S GEOM	DEB MB22X1,5H19 AUB.UNI7474 6S	/	/	/
7	F01100015	ING.M 6X1 7663-A A2 IX	/	/	/	/
8	U24080272	PERNO D.25 L=158 RETT.PIST.C42	/	/	/	/
9	U24080240	PERNO D.25 L=120 RETTIFICAT+CT	/	/	/	/
10	U24080241	PERNO D.25 L=143 RETTIFICAT+CT	/	/	/	/
11	U28110048	RT \$23X39X3 UNI6592 100HV GEOMET	RT \$23X39X3 UNI6592 100HV GEOM	/	/	/

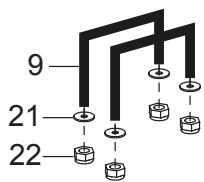




Timone / Bar

TAV. 030

Pos.	Cod.	Descrizione	Description	Description	Benennung	Descripcion
1	USP000089	BASE PIEDE IDRAULICO CAMP42-60	BASE PIEDE IDRAULICO CAMP42-60	/	/	/
2	USP000381	PIEDE IDRAULICO CAMPO 42-60	PIEDE IDRAULICO CAMPO 42-60	/	/	/
3	U04410004	CIL.IDR.AL.50 ST.25 C.300	CIL.IDR.AL.50 ST.25 C.300 FORC	/	/	/
4	U36070331	VTE M20X100 UNI5739 10,9 GEOM	/	/	/	/
5	U36070366	VTE M20X220 UNI5737 8.8 GE	VTE M20X220 UNI5737 8.8 GE	/	/	/
6	U36070329	VTE M20X60 UNI5739 8.8	/	/	/	/
7	U24040273	PIAS.SOST.2 ATTACCHI RAPIDI	/	/	/	/
8	U28030499	RACC.OCCHIO 3/8 CON TUBINO	/	/	/	/
9	U28030362	RACC.OLIVELLA 1/4"D12 E211	/	/	/	/
10	U36000112	VALV.RITEGNO PIL.VBPDA 040 1/4	CHECK VALVE VBPDA 040 1/4	/	/	/
11	U28030236	RAC.OCCHIO 1/4-1/4M AFB5040400	RAC.OCCHIO 1/4"-1/4"M AFB50404	/	/	/
12	U33010645	K.TUBO IDR.1/4" MT4,20 F+F90°	/	/	/	/
13	F03150211	NIPPL0 MM CIL-CIL 1/2-1/4 ZN	NIPLE MM CIL-CIL 1/4-1/2 ZN	NIPLE MM 1/4-1/2 ZN	NIPLE GG 1/4-1/2 ZN	NIPLE MM 1/4-1/2 ZN
14	F03020103	RONDELLA BONDED AUTOCENT 1/2	BONDED WASHER 1/2"	/	/	/
15	U14070012	INNES.RAP.1/2MAS. ISO7241/1A	QUICK-CONNECTOR 1/2" M ISO724	/	/	/
16	F05150330	CAPPUC.F X INN.M RAP.1/2 BLU	PROTECT. COVER CAP F 1/2 BLUE	COUVERCLE CONNEXION F 1/2 BLEU	DECKEL W 1/2 SCHNELLKUPP. BLUE	PAC PROTECCION F 1/2 AZUL
17	F05150325	CAPPUC.F X INN.M RAP.1/2 ROSSO	COVER CONNECT F 1/2 RED	COUVERCLE CONNEXION F 1/2 ROSE	DECKEL W 1/2 SCHNELLKUPP. ROT	PAC PROTECCION F 1/2 ROJO
18	U24140149	KIT PIEDE IDRAULICO CAMP42-60	/	/	/	/
19	F03020070	RONDELLA BONDED AUTOCENT 3/8	BONDED WASHER 3/8"	/	/	/
20	F03151223	RACCORDO VITE CAVA 3/8	UNION BOLT 3/8	VIS 3/8	SCHRAUBE 3/8	TORNILLO CAVA 3/8
21	F01420047	ROS.M8 8,4X 24X 2 U6593 IX	WASHER M8 8,4X24X2 U6593 IX	RONDELLE M8 8,4X24X2 U6593 IX	SCHEIBE M8 8,4X24X2 U6593 IX	ARANDELA M8 8,4X24X2 U6593 IX
22	F01020457	VIT.M 8X1,25X 20 U5739 A2 IX	SCR. M8X1,25X20 U5739 A2IX	VIS M8 X1,25X20 U5739 A2 IX	SCHRAUBE M8X1,25X20 U5739 A2IX	TORNILLO M8X1,25X20 U5739 A2IX
23	F01230032	DADO M 8X1,25 D982 A2 IX	NUT M8X1,25 D982 A2IX	ECROU M 8X1,25 D982 A2 IX	MUTTER M 8X1,25 D982 A2 IX	TUERCA M 8X1,25 D982 A2 IX
24	F01410125	ROS.M20 21X 37X 3 U6592 IX	WASHERS M20 21X 37X3 U6592 IX	/	/	/
25	F01230130	DADO M20X 2,5 D985 A2 IX	NUT M20X2,5 D985 A2 IX	/	/	/
26	F03020004	VITE FORATA GAS 1/4"-19	PIERCED SCREW GAS 1/4"-19	VIS PERCE' GAS 1/4"-19	GEPIERT SCHRAUBE GAS 1/4"-19	TORNILLO PERFORADO GAS 1/4"-19
27	F03020069	RONDELLA BONDED AUTOCENT 1/4	COPPER WASHER 13X19X1,5-1/4"	RONDELLE	SCHEIBE	ARANDELA
28	USP000613	TIMONE CAMPO 42 "2013"	/	/	/	/
29	U22000023	GANCIO TRAIN.145X145 D40 I5692	/	/	/	/
30	F02350057	OCCHIONE D50 RIGIDO 145X145	/	/	/	/
31	F01020304	VITE M20X2,5 X 70 U5737 8.8GE	BOLT M20X2,5 X 70 U5737 8.8GE	/	/	/
32	U36070388	VTE M36X300 UNI5737 8.8 GE	/	/	/	/
33	U281100118	RT \$13X24X2,5 UNI6592 100HV GE	/	/	/	/
34	U06040153	DEA M30X46X33,2 DIN982 6S ZN	/	/	/	/
35	F01021058	VITE M10X1,5 X 90 U5737 8.8GE	BOLT M20X2,5X180 U5737 8.8GE	/	/	/
36	F01230130	DADO M20X 2,5 D982 6 ZN	NUT M20X2,5 D985 A2 IX	/	/	/
37	F01020371	VITE M20X 2,5X 90 U5737 8.8 GE	SCR. M30X3,5X240 U5737 10.9ZN	VIS M30X 3,5X240 U5737 10.9 ZN	SCH.M30X 3,5X240 U5737 10.9 ZN	TORN M30X 3,5X240 U5737 10.9 Z
38	F01410167	ROS.M30 31X 56X 4 U6592 IX	/	/	/	/
39	U06040137	DEA M10X17X10 UNI5587 INOX A2	DEB M30X3.5 UNI7474 6S GE	/	/	/
40	U18020201	MOLLA TRAZ.D25 FILO D3,0 L=500	/	/	/	/
41	F01410125	ROS.M20 21X 37X 3 U6592 IX	WASHERS M20 21X 37X3 U6592 IX	/	/	/



11

19

7-8

12

13

16

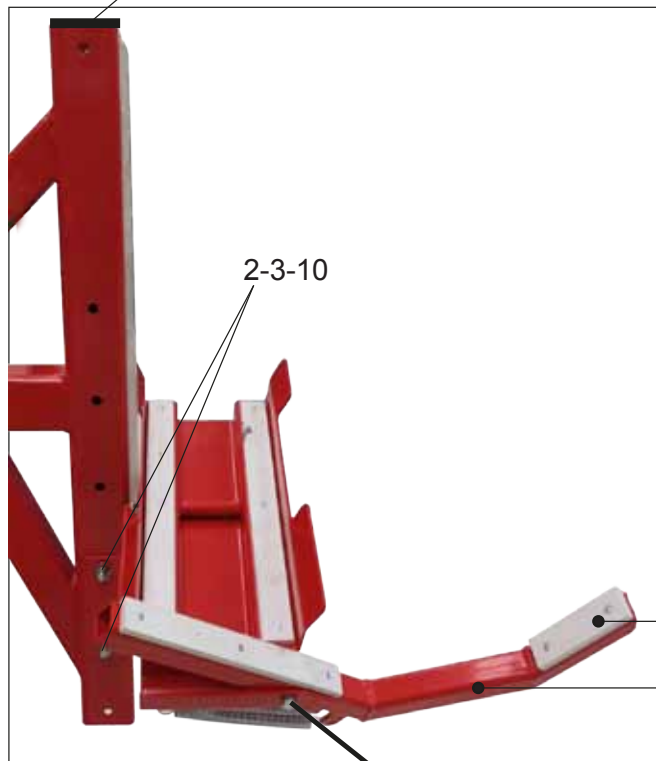


5

2-3-10

14

18



6



4 17



20

2-3-15

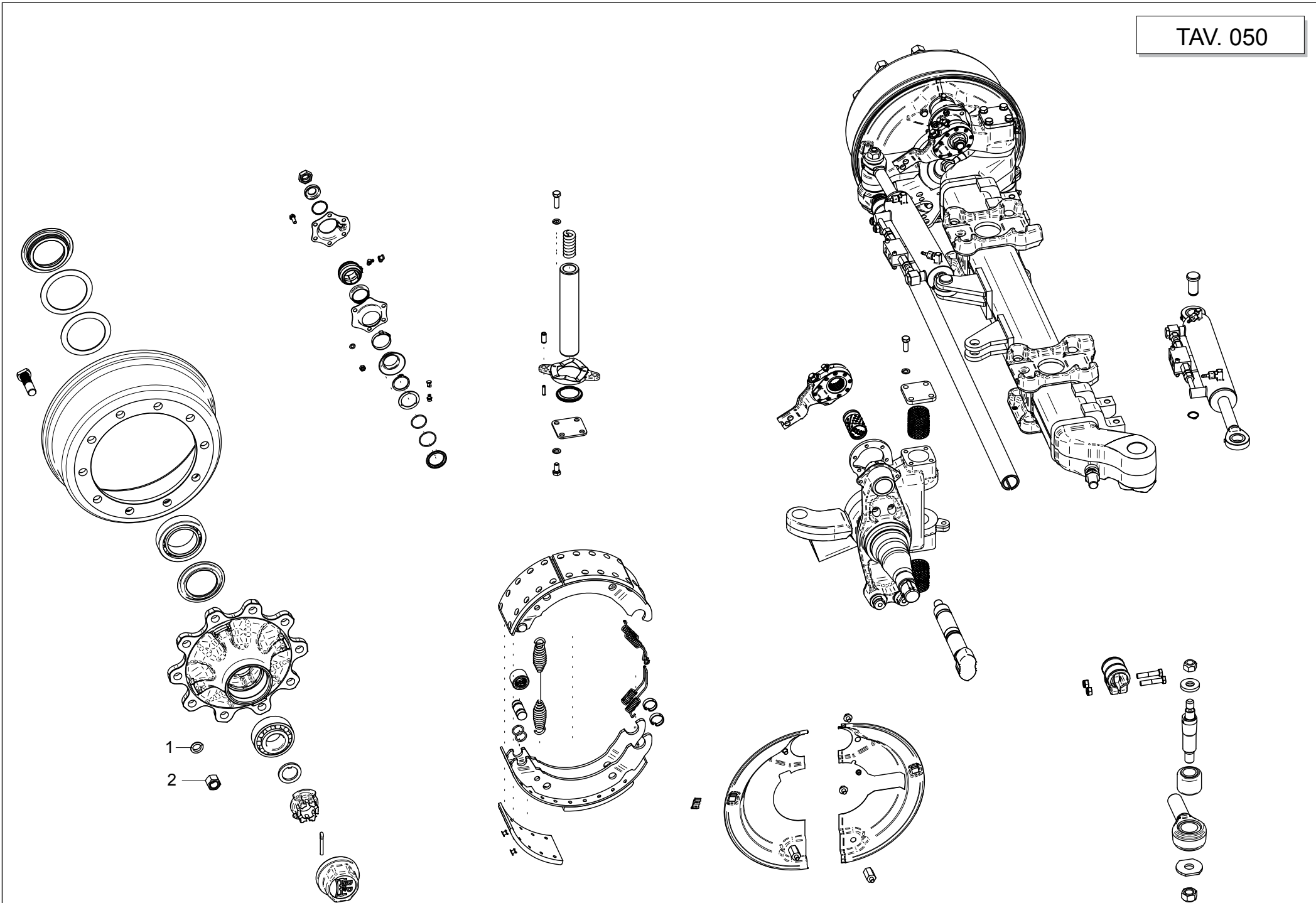


16

**Supporti barre / Support booms**

TAV. 040

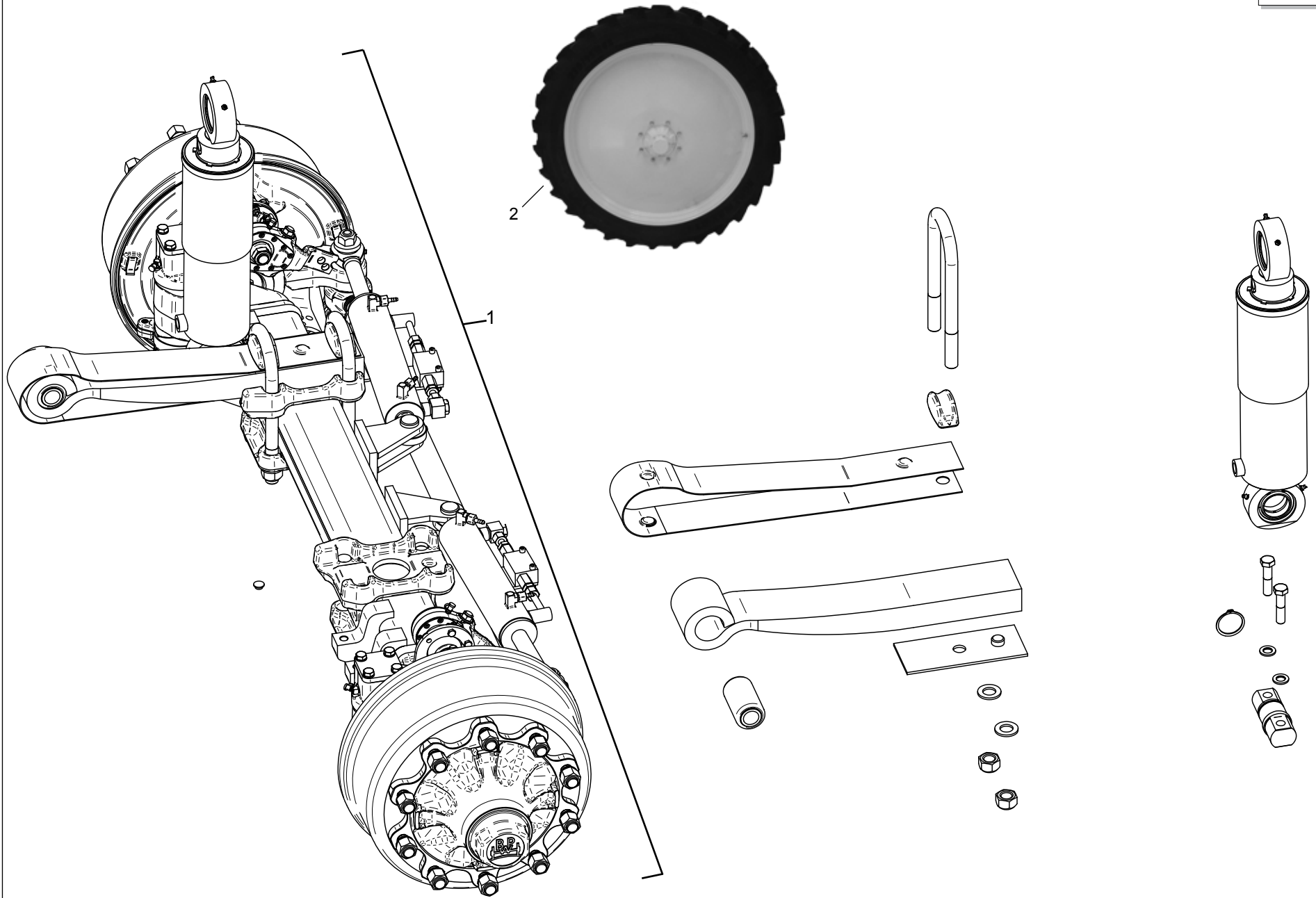
Pos.	Cod.	Descrizione	Description	Description	Benennung	Description
1	U31010427	K.SUPP.BRACCI ALA724-728	/	/	/	/
2	F01230061	DADO M12X1,75 D982 A2 IX	NUT M12X1,75 D982 A2IX	/	/	/
3	F01410077	ROS.M12 13X 24X2,5 U6592 IX	WASHER M12 13X 24X2,5 U6592	/	/	/
4	F02100201	SPINA E.P. 6X 40 U6873 IX	/	/	/	/
5	F05100158	TAPPO XTUBO 80X80 SP.2,9-5	/	/	/	/
6	U02070189	BASE FISS.APP.BRACCI AL728 C42	/	/	/	/
7	USP000088	BASE BASC APP.ALA 724 728 DX	BASE BASC APP.ALA 724 728 RIGH	/	/	/
8	U02070191	BASE BASC APP.ALA 724 728 SX	/	/	/	/
9	U04180127	CAV.Q.B=80 M12X1,75 L=106 GEOM	/	/	/	/
10	U36070184	VTE M12X120 UNI5737 8.8 GEOMET	/	/	/	/
11	U24260045	PATTINO PVC 430X40X10 APP.SH24	PATTINO NYLON 430X40X10 APP.SH	/	/	/
12	U24260054	PATTINO PVC APPOGGIO BARRE	/	/	/	/
13	U24260055	PATTINO PVC 300X40X10AL724-728	PVC PROTECTION 300X40X10	/	/	/
14	U24260056	PATTINO PVC 130X40X10AL724-728	PVC PROTECTION 130X40X10	/	/	/
15	U36070269	VTE M12X80 UNI5737 8.8 GEOMET	VTE M12X80 UNI5737 8.8 GEOMET	/	/	/
16	U28150012	RIVET. TT \$4.8X30	RIVET.STR.A \$4.8X30 P-AL UNI92	/	/	/
17	U30050164	SPINA \$16X220 APP.BRACCI AL724	/	/	/	/
18	U30220110	SQUADRA BLOC.BARRA ALA 724-728	BOOM STOP BRACKET 724-728	/	/	/
19	U32070228	TRAV.SOST.APPOGGIO BRACCI	/	/	/	/
20	U18020183	MOLLA A TRAZI. D24 FILO 2 L183	TRACTION SPRING D24 2MM L183	/	/	/
21	F01410076	ROS.M12 13X 24X2,5 U6592 ZN	WASHER 12 13X 24X2,5 U6592 ZN	RONDEL. M12 13X24X2,5 U6592 ZN	SCHEIBE M12 13X24X2,5 U6592 ZN	ARANDELA M12 13 X24X2,5 ZN
22	F01230059	DADO M12X1,75 D982 8 ZN	NUT M12X1,75 D982 8ZN	ECROU AUTO-FREINES M12 D982 ZN	SICHERUNGSMUTTER M12 D982 ZN	TUERCA DE SEGURIDAD M12 D982ZN



**Assale sterzante / Steering axle**

TAV. 050

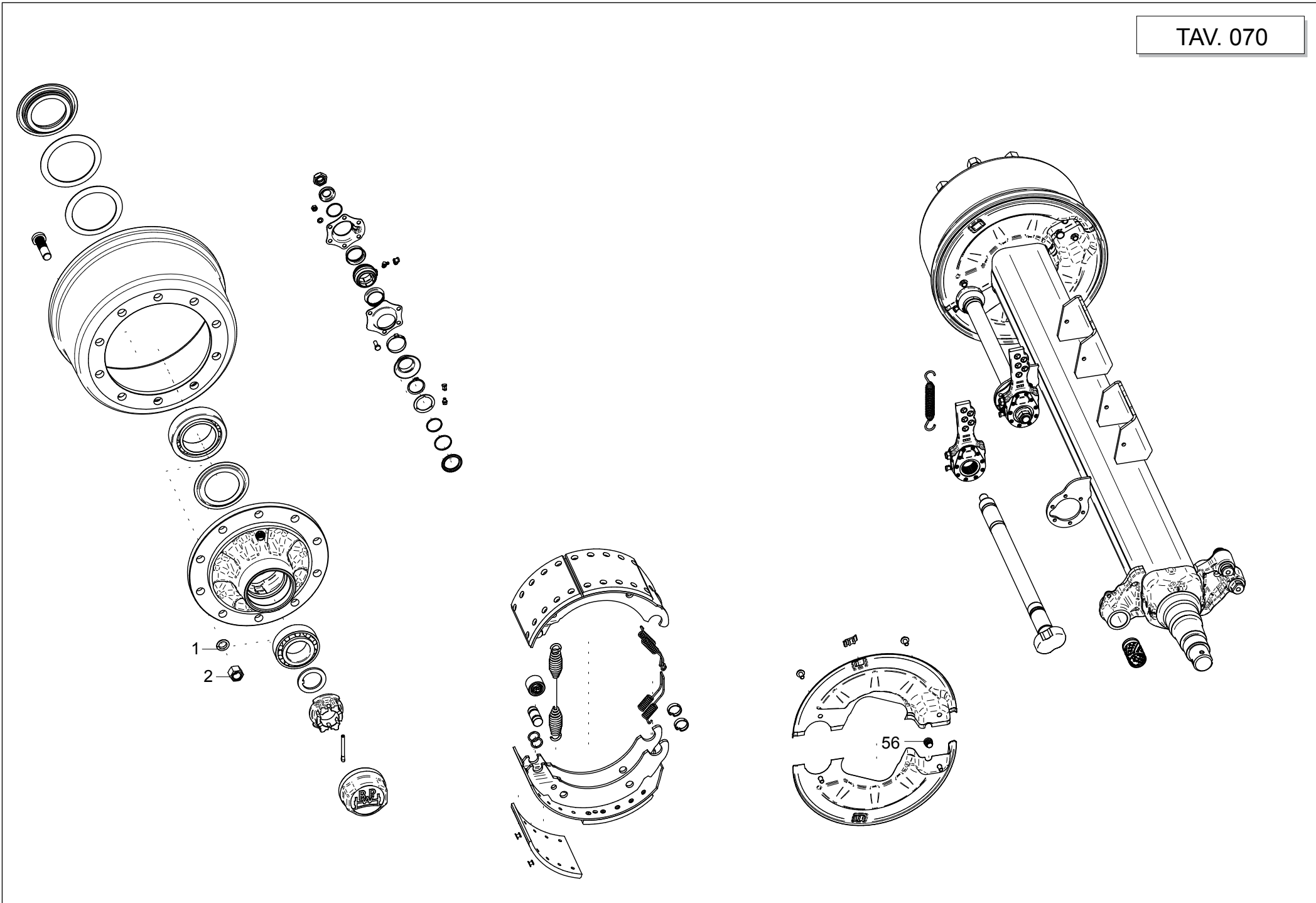
Pos.	Cod.	Descrizione	Description	Description	Benennung	Description
1	UA5600122	DADO RUOTA M22X1,5 10 A3C H=25	/	/	/	/
2	UA5600123	ANELLO EL. C22,5 DAC DIN74361	/	/	/	/



**Assale sterzante con sospensioni / Steering axle with suspensions**

TAV. 060

Pos.	Cod.	Descrizione	Description	Description	Benennung	Description
1	U00170081	ASSE STERZANTE C/SOSPEN.FL4112	/	/	/	/
2	U12260258	RUOTA 520/85 R38 170A8 10F(ET	/	/	/	/
2	U12260253	RUOTA 340/85 R48 152B 10F	WHEEL 340/85 R48 152A8/B 10F(E	/	/	/
2	U12260256	RUOTA 480/80 R42 151A8/B 10F(ET+100.	/	/	/	/

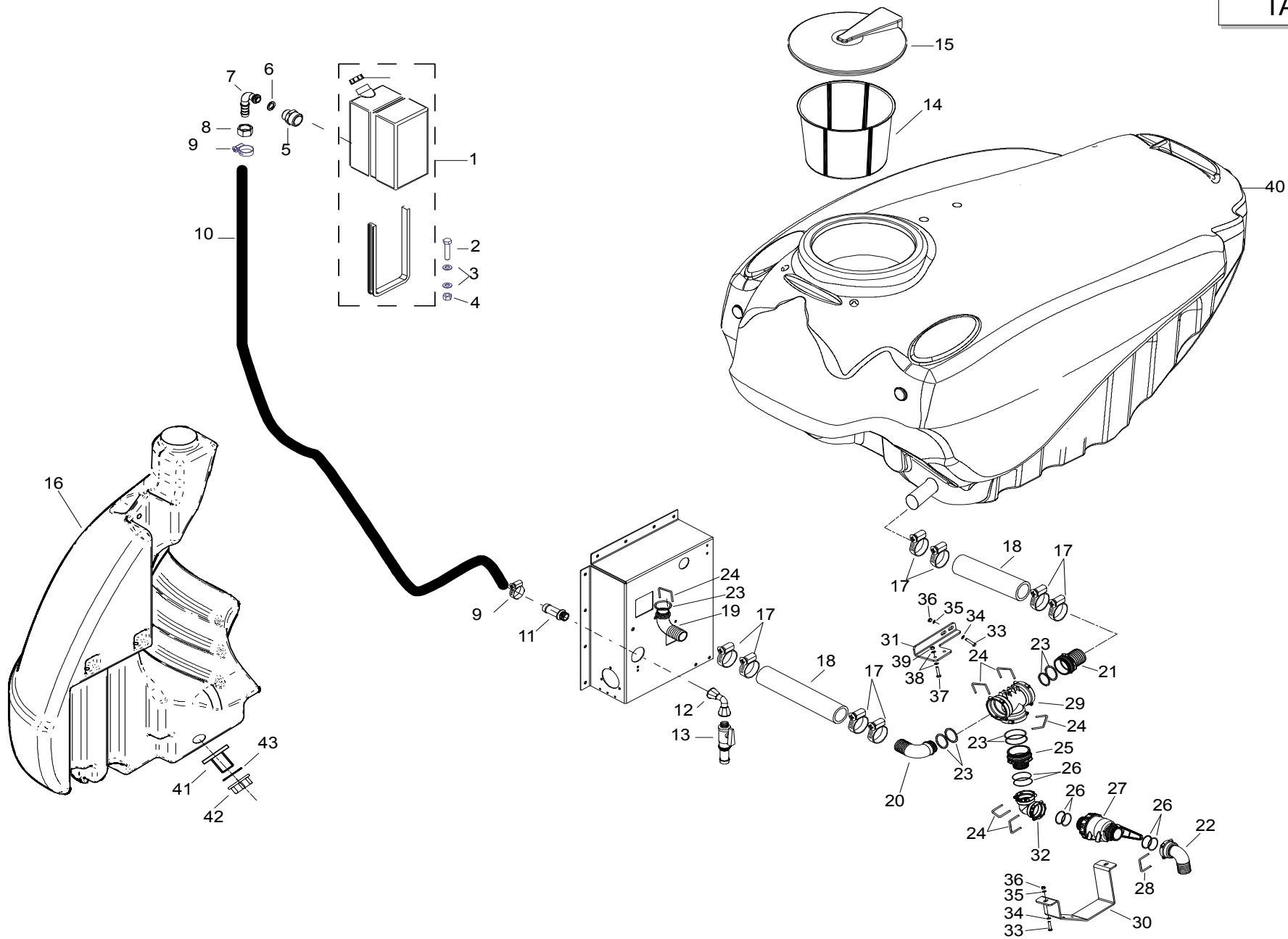




Semiassa / Semiaxis

TAV. 070

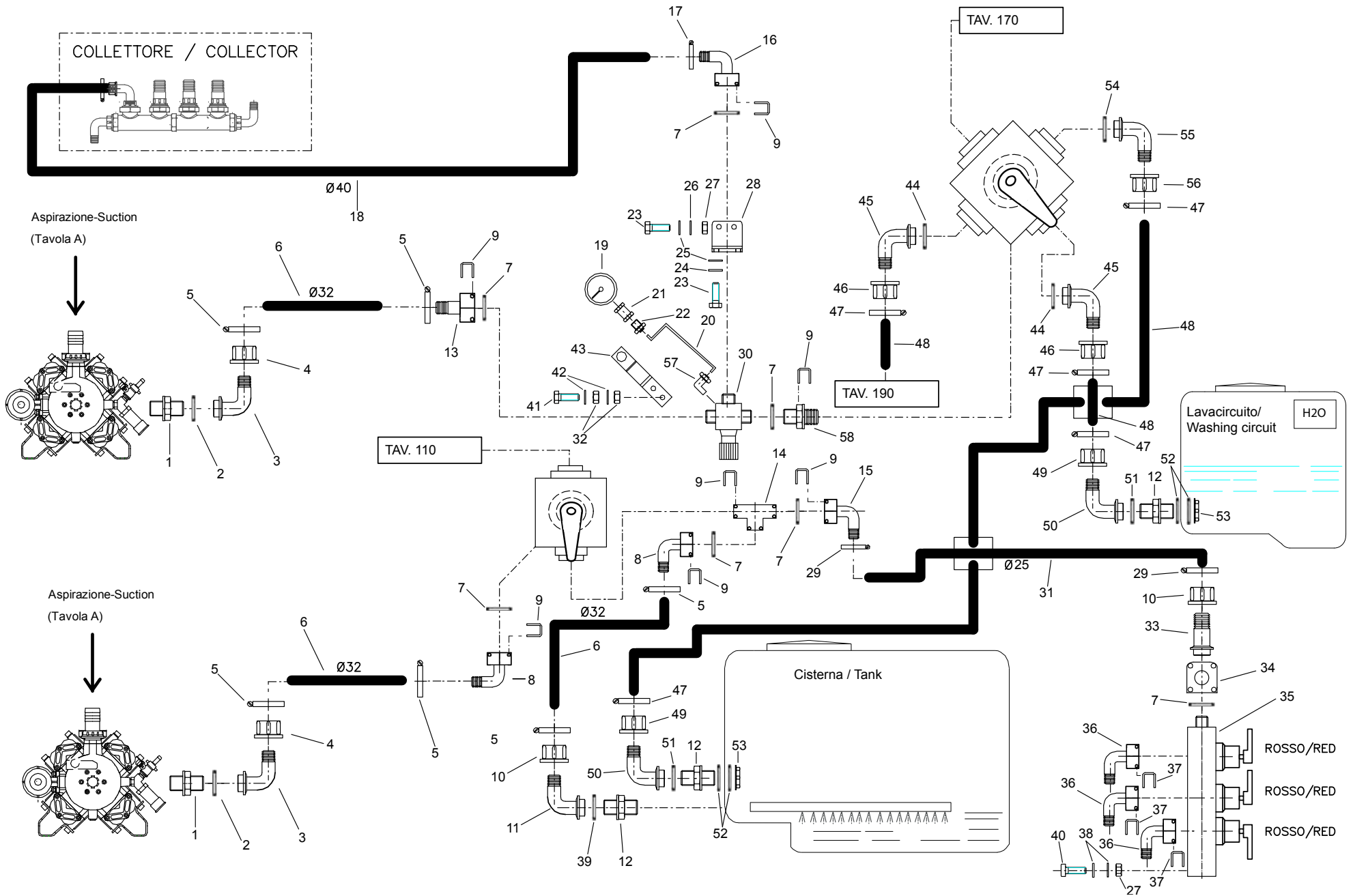
Pos.	Cod.	Descrizione	Description	Description	Benennung	Descripcion
1	UA5600122	DADO RUOTA M22X1,5 10 A3C H=25 /	/	/	/	/
2	UA5600123	ANELLO EL. C22,5 DAC DIN74361 /	/	/	/	/



**Cisterna e valvola di scarico / Tank and drain valve**

**TAV. 080**

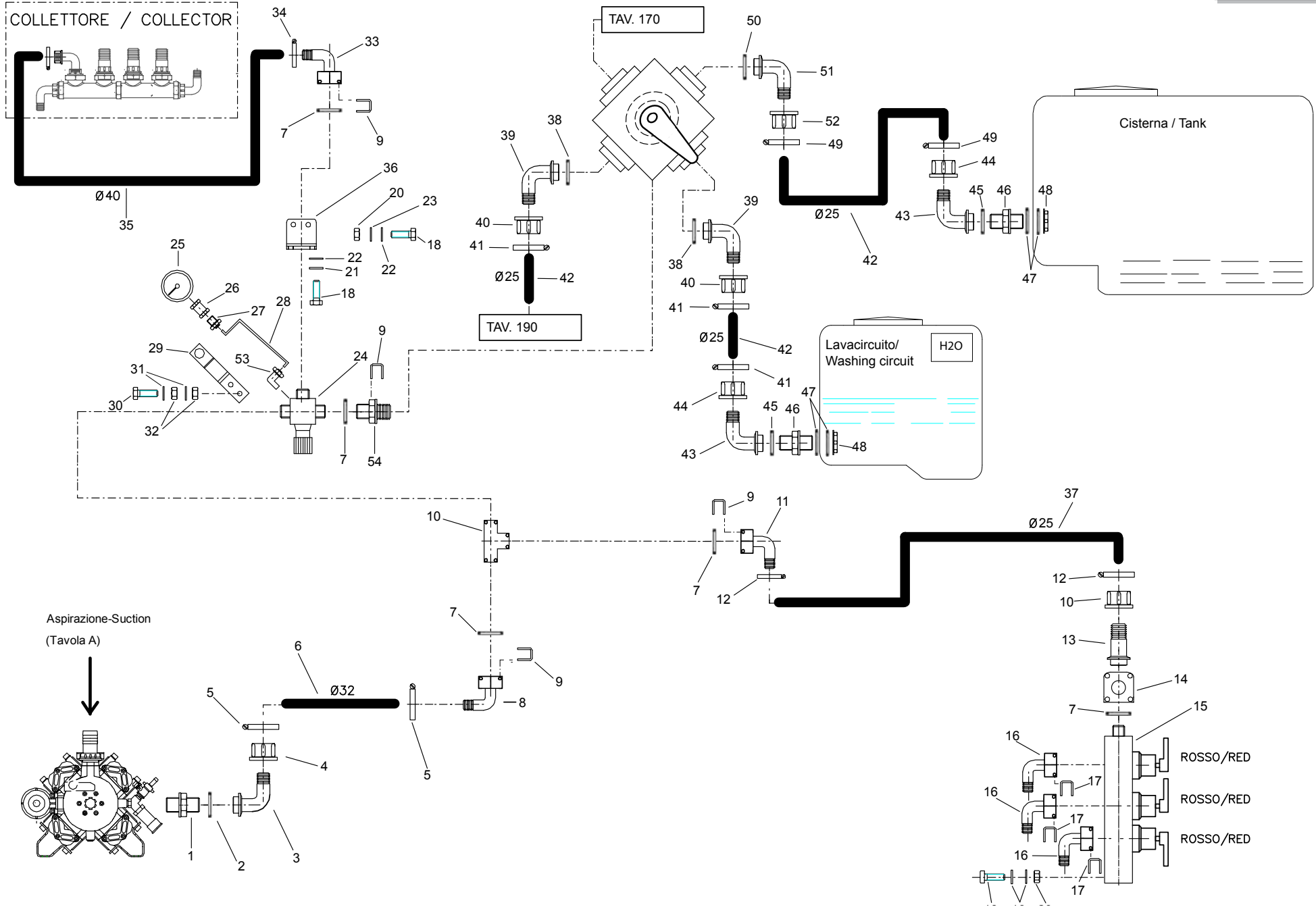
Pos.	Cod.	Descrizione	Description	Description	Benennung	Descripcion
1	U05310497	LAVAMANI LV15 CON SUPPORTO E RUBIN.	/	/	/	/
2	F01020639	VITE M 8X1,25X 30 U5739 A2IX	SCR. M8X1,25X30 U5739 A2IX	VIS M8X1,25X 30 U5739 A2 IX	SCHARAUBE M8X1,25X30 U5739A2IX	TORNIL.M8X1,25X30 U5739 A2 IX
3	F01410050	ROS.M8 8,4X 17X1,6 U6592 IX	WASHER M8 8,4X 17X1,6 U6592 IX	RONDELLE M8 8,4X 17X1,6 IX	SCHEIBE M8 8,4X 17X1,6 IX	ARANDELA M8 8,4X 17X1,6 IX
4	F01230032	DADO M 8X1,25 D982 A2 IX	NUT M8X1,25 D982 A2IX	ECROU M 8X1,25 D982 A2 IX	MUTTER M 8X1,25 D982 A2 IX	TUERCA M 8X1,25 D982 A2 IX
5	U28250039	RIDUZ.M-M 3/4"-1/2"OTTONE (NIPPL)	REDUCT.M-M 3/4-1/2 BRAS NIPPLE	/	/	/
6	U12090008	GUARN.PIANA\$12,5X18,5X2 POLIET	GUARN.PIANA \$12,5X18,5X2 POLIE	/	/	/
7	U28260018	RUB MINIBAL F/F 1/2"	RUB.MINIBAL F/F 1/2"	/	/	/
8	U12000056	GAL G1/2 CH24 OTTONE	FLY-NUT G1/2 CH24 BRASS	/	/	/
9	U10030090	FASCETTA INOX W4 12X22 BANDA 9	CLAMP INOX W4 12X22 DIAMET.9	/	/	/
10	U32040035	TUBO PVC 13,5X21 NERO 40/120BAR	PIPE PVC13,5X21 BLACK 40/120BA	/	/	/
11	F12031009	RACC PGD M 13X18X60 G1/2	FITTING PGD M 13X18X60 G1/2	/	/	/
12	F12022001	RACC 90° FF G1/2	FITTING 90° FF G1/2	/	/	/
13	U28260076	RUBINETTO D.\$13 - G1/2M	TAP D13 - G1/2M	/	/	/
14	U10020144	FILTRO SACCO \$450 (400X320)	FILT.SACCO \$450 (400X320)	/	/	/
15	U04020163	KIT COP.RIB.455 VERS.2010 S/AN	KIT COP.RIB.455 VERS.2010 S/AN	/	/	/
16	U04610878	CIST.LAVACIRC.CAMPO42 BIAN	/	/	/	/
17	U10030096	FASC.INOX W4 60X80 BANDA 12	CLAMP STAINLESS STEEL BAND	/	/	/
18	U32040180	TGM VACUPR S.EL.\$75X91 SPI	/	/	/	/
19	F12045529	PG FORCHET C ATT F T9D75	/	/	/	/
20	U28010019	RACC.CURVO \$75 T9M	/	/	/	/
21	F12045283	PG FORCHET D ATT M T9D75	/	/	/	/
22	F12048603	TUB.R.160X80 X5 S235 10219	/	/	/	/
23	F03011306	ANEL. OR X RACC T9	O.R.GASKET FOR T9 FITT	/	/	/
24	F12049760	FORCHETTA X T9	FORK FOR T9	EPINGLE POUR T9	STECKER FUR T9	HORQUILLA PARA T9
25	U28250081	RIDUZIONE T9M-T7M (259179)	/	/	/	/
26	U12100267	OR 3,53X53,57X60,63 4212 EPDM	/	/	/	/
27	F12051260	VALVOLAA SFERA 2VIE ATT F T7	/	/	/	/
28	U10010117	FORCELLA X RACCORDI T7	/	/	/	/
29	U28030496	RACCORDO T T9F-T9F-T9F (13	/	/	/	/
30	U30021140	SUPPORTO RUBINETTO SCARICO	/	/	/	/
31	U30021141	SUPPORTO RACCORDO ASPIRAZ.	/	/	/	/
32	F12048603	CURVA 90° FORCHET FF T7	/	/	/	/
33	F01021048	VITE M10X1,5 X 35 U5739 8.8GE	BOLT M10X1,5X35 U5739 8.8 GE	/	/	/
34	F01420059	ROS.M10 10,5X 30X2,5 U6593 IX	WASHER 11X30X2,5 6593 A2	RONDELLE 11X30X2,5 6593 A2	UNTERLEGSCHEIBE 11X30X2,5 6593	ARANDELA 11X30X2,5 6593 A2
35	F01410501	ROS.M10 10,5X 20X 2 U6592 IX	ROS.M10 10,5X 20X 2 U6592 IX	/	/	/
36	F01230047	DADO M10X1,5 D982 A2IX	NUT M10X1,5 D982 A2IX	ECROU M10X 1,5 D982 A2 IX	MUTTER M10X 1,5 D982 A2 IX	TUERCA M10X 1,5 D982 A2 IX
37	F01020443	VIT.M 8X1,25X 25 U5739 A2 IX	SCR. M8X1,25X25 U5739 A2IX	VIS M8X1.25X25 U5739 A2 IX	SCHRAUBE M8X1.25X25 5739 A2 IX	TORNILLO M8X1.25X25 5739 A2 IX
38	F01410050	ROS.M8 8,4X 17X1,6 U6592 IX	WASHER M8 8,4X 17X1,6 U6592 IX	RONDELLE M8 8,4X 17X1,6 IX	SCHEIBE M8 8,4X 17X1,6 IX	ARANDELA M8 8,4X 17X1,6 IX
39	F01230032	DADO M 8X1,25 D982 A2 IX	NUT M8X1,25 D982 A2IX	ECROU M 8X1,25 D982 A2 IX	MUTTER M 8X1,25 D982 A2 IX	TUERCA M 8X1,25 D982 A2 IX
40	U04610877	CIST.CAMPO 42 BIANC+BOPO R	/	/	/	/
40	U04610904	CIST.C.60 BIANCA + BOPO 6500LT	/	/	/	/
41	F12011012	NIPPL PASS G11/4	NIPPLE G11/4	/	/	UNION SIMETR.PASAPARED G11/4
42	F12019506	TAPPO F G1 1/4	TAPADOR HEMBRA G1 1/4	/	/	/
43	F12081528	GUARNIZIONE PIANA G1 1/4"	GASKET G1 1/4 "	JOINT G1 1/4	DICTUNGRING G1 1/4	JUNTA G1 1/4



**Kit mandata con 2 pompe / Supply kit with 2 pumps**

**TAV. 090**

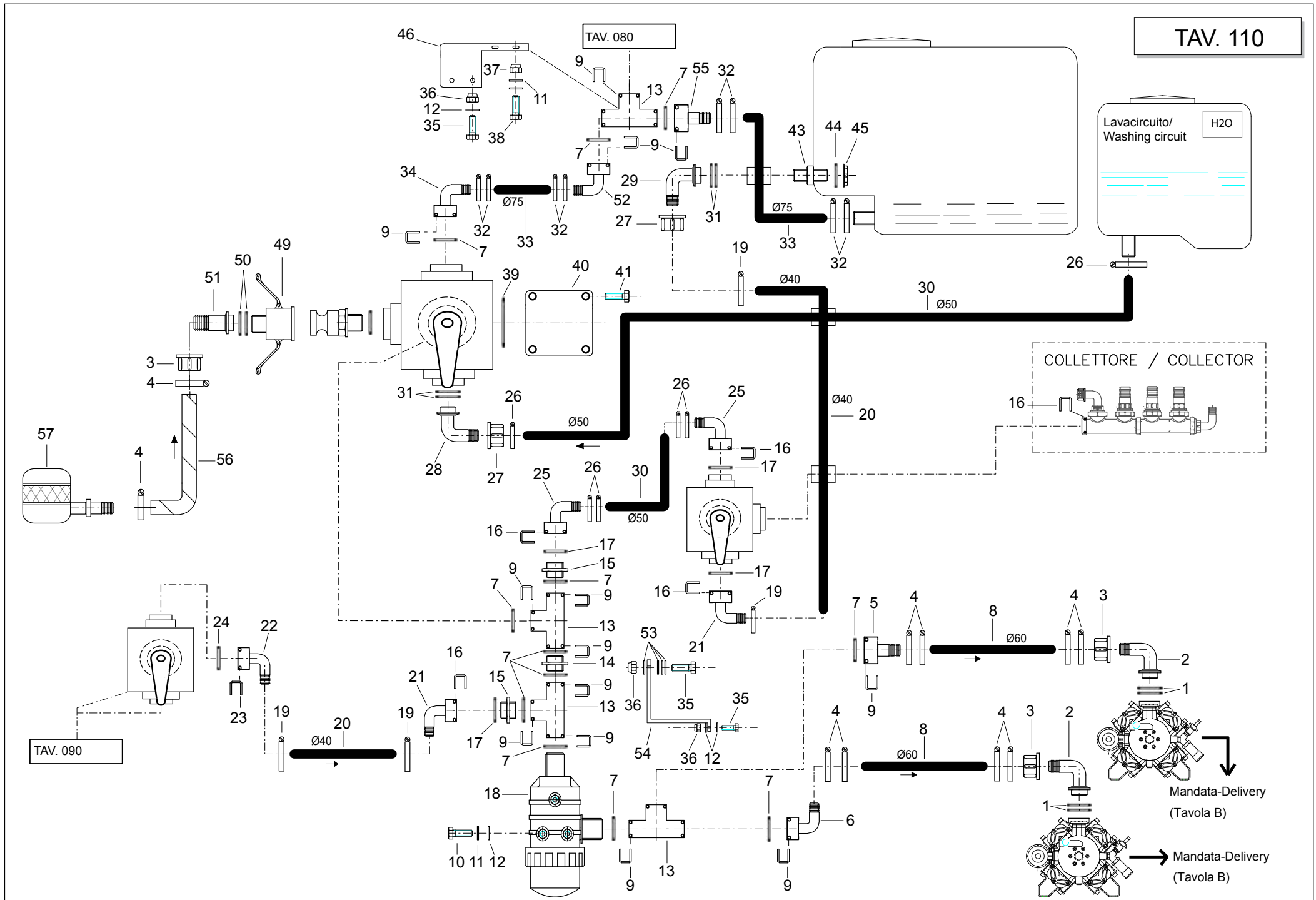
Pos.	Cod.	Descrizione	Description	Description	Benennung	Descripcion
1	F12011005	NIPPLO SIMM G11/2	NIPPLE SIMM G11/2	JUNCTION SYMETRIQUE G11/2	SYMMETRISH NIPPLE G11/2	UNION SIMETRICO G11/2
2	F03010475	ANEL. OR 29,20X3,00 NBR	O.R. GASKET 29,20X3,00 NBR	JOINT 29,20X3,00 NBR	DICHTUNG 29,20X3,00 NBR	JUNTA 29,20X3,00 NBR
3	U28010083	RPGC D32 X GIRELLO 1"1/2	RPGC \$32 X GIR.1"1/2	/	/	/
4	F12026007	GIRELLO G11/2	FLY NUT G11/2	ECROU G11/2	UBERVURFMUTTER G11/2	TUERCA G11/2
5	F10030093	FASC.INOX W4 32X50 BANDA 12	/	/	/	/
6	U32040119	TUBO GOMMA \$32X44 20 BAR	TUBO GOMMA \$32X44 20 BAR MONT	/	/	/
7	U12100140	GU OR X RACCORDI T6	/	/	/	/
8	F12045519	PG FORCHET C ATT F T6D32	/	/	/	/
9	U10010011	FORCELLA X RACCORDI T6	/	/	/	/
10	F12026006	GIRELLO G11/4	FLY-NUT G1 1/4	ECROU G1 1/4	UBERWURFMUTTER G1 1/4	TUERCA G1 1/4
11	F12034511	RACC PG C XGIRELLO30 G11/4	90°HOSE FITT FLY-NUT30 G1 1/4	90°PORTE-JOINT ECROU30 G1 1/4	GEBOG.SCHLAUCHAN.UBERWUR.G11/4	RAC.PORTAMAN.TUERC.CURVO G11/4
12	F12011012	NIPPLO PASS G11/4	NIPPLE G11/4	/	/	UNION SIMETR.PASAPARED G11/4
13	F12045273	PG FORCHET D ATT M T6D32	PG FORCHET D ATT M T6D32	/	/	/
14	U28030503	RACCORDO T T6F-T6F-T6F(139066)	/	/	/	/
15	U28010100	RPGC D25 ATT.FORCHETTA T6M	/	/	/	/
16	F12045522	PG FORCHET C ATT F T6D40	/	/	/	/
17	U10030094	FASC.INOX W4 40X60 BANDA 12	FASCETTA INOX W4 40X60 BANDA 1	/	/	/
18	U32040170	TGM VAC S.EL.\$40X53 SPR.14BAR	TGM VAC S.EL.\$40X53 SPR.14BAR	/	/	/
19	U18160075	MANOM.ABS 0-40 20B CENT.WK	MANOMETRO ABS 0-40 20B CENTRAL	/	/	/
20	U32040154	TUBO RILSAN PA11 \$4X2 NEUTRO	TUBO RILSAN PA11 \$4X2 NEUTRO	/	/	/
21	U28030397	RAC.DRITTO F-F 1/4OT NICH	RAC.DRIT.F-F 1/4"OT NICH.	/	/	/
22	U28030398	RAC.RAPIDO 1/4M OT TUB\$4X2 AIR	RACC.RAPIDO 1/4"M OT TUBO \$4X2	/	/	/
23	F01020434	VIT.M 8X1,25X 16 U5739 A2 IX	SCR. M8X1,25X16 U5739 A2IX	VIS M 8X1,25X 16 U5739 8.8 IX	SCHRAUBE M 8X1,25X 16 U5739 8.	TORNIL. M 8X1,25X 16 U5739 8.8
24	F01480101	ROS.G 8,4X14,4X2,7	SINGLE COIL 8,4X14,4X2,7 IX	RONDEL.ELASTIQUES 8,4X14,4X2,7	FEDERRINGE 8,4X14,4X2,7 IX	ARANDELAS 8,4X14,4X2,7 IX
25	F01430151	ROS.M8 8,4X 32X 2 U 6593 IX	/	/	/	/
26	F01410050	ROS.M8 8,4X 17X1,6 U6592 IX	WASHER M8 8,4X 17X1,6 U6592 IX	RONDELLE M8 8,4X 17X1,6 IX	SCHEIBE M8 8,4X 17X1,6 IX	ARANDELA M8 8,4X 17X1,6 IX
27	F01230032	DADO M 8X1,25 D982 A2 IX	NUT M8X1,25 D982 A2IX	ECROU M 8X1,25 D982 A2 IX	MUTTER M 8X1,25 D982 A2 IX	TUERCA M 8X1,25 D982 A2 IX
28	U24030284	PIASTRINA FIX V.MAX CAMPO42	/	/	/	/
29	U10030071	FASC.INOX W4 25X40 BANDA 12	FASCETTA INOX W4 25X40 BANDA 1	/	/	/
30	U36000235	VALVOLA MAX PRS 450LT/MIN T6F	/	/	/	/
31	U32040168	TGM VAC S.EL.\$25X35 SPR.10BAR	TGM VACUPR S.EL.\$25X35 SPIRAL	/	/	/
32	F01200503	DADO M 6X 1 U5587 A2 IX	NUT M12X1,75 U5593 5.8ZN	/	/	/
33	F12034012	RACC PG DXGIRELLO25 G1 1/4	STRAIG.HOSE-FITT.FLY-NUT G11/4	RAC.PORTE-JOINT D.ECROU25G11/4	GERAD.SCHLAUCHAN.UBERWUR.G11/4	RAC.PORTAMAN.TUERCA G1 1/4
34	U10090087	FLANGIA TIPO M VALV.463 1"1/4M	/	/	/	/
35	U12140107	K.3 RUB.AUSILIARI PANN.C42-60	/	/	/	/
36	U28010018	RACC.PGM 13MM CURVO NRG	/	/	/	/
37	F12049761	FORCHETTA X T3	FORK T3 FOR MANIFOLD FITTINGS	/	/	/
38	F01410050	ROS.M8 8,4X 17X1,6 U6592 IX	WASHER M8 8,4X 17X1,6 U6592 IX	RONDELLE M8 8,4X 17X1,6 IX	SCHEIBE M8 8,4X 17X1,6 IX	ARANDELA M8 8,4X 17X1,6 IX
39	F03010972	ANEL. OR 2,62X26,65	ANEL. OR 2,62X26,65	O.R. GASKET 2,62X26,65	/	/
40	F01020639	VITE M 8X1,25X 30 U5737 8.8ZN	SCR. M8X1,25X30 U5739 A2IX	VIS M8X1,25X 30 U5739 A2 IX	SCHARAUBE M8X1,25X30 U5739A2IX	TORNIL.M8X1,25X30 U5739 A2 IX
41	F01020415	VIT.M 6X 1X 45 U5739 A2 IX	/	/	/	/
42	F01410034	ROS.M6 6,4X12,5X1,6 U6592 IX	WASHER M6 6,4X12,5X1,6 U6592	/	/	/
43	U24030157	PIASTRINA SUPP GETTO CANNONE	/	/	/	/
44	F03010486	ANEL. OR 47,22X3,53 NBR	O.R. GASKET 47,22X3,53 NBR	O.R. 47,22X3,53 NBR	DICHTUG 47,22X3,53 NBR	JUNTA 47,22X3,53 NBR
45	F12034514	RACC PG C XGIRELLO25 G11/2	90°HOSE TAIL FLY-NUT25 G1 1/2	RACC.PORTE-JOINT CURVO G1 1/2	GEBOG.SCHLAUCHAN.UBERWU.G1 1/2	RAC.PORTAMAN.CURV.TUERCA G11/2
46	F12026007	GIRELLO G11/2	FLY NUT G11/2	ECROU G11/2	UBERVURFMUTTER G11/2	TUERCA G11/2
47	U10030071	FASC.INOX W4 25X40 BANDA 12	FASCETTA INOX W4 25X40 BANDA 1	/	/	/
48	U32040143	TGM IVG \$25X37 20BAR	TGM IVG \$25X37 20BAR	/	/	/
49	F12026006	GIRELLO G11/4	FLY-NUT G1 1/4	ECROU G1 1/4	UBERWURFMUTTER G1 1/4	TUERCA G1 1/4
50	F12034510	RACC PG C XGIRELLO25 G11/4	RACC PG C XGIRELLO25 G11/4	/	/	/
51	F03010781	ANEL. OR 3,53X 39,69 144 EPDM	O.R.GASKET 3,53X39,69 144 EPDM	/	/	JUNTA O.R. 3,53X39,69 144 EPDM
52	F12081528	GUARNIZIONE PIANA G1 1/4"	GASKET G1 1/4 "	JOINT G1 1/4	DICTUNGSRING G1 1/4	JUNTA G1 1/4
53	F12026505	GHIERA G11/4	LOCK-RING G1 1/4	RONDELLE FILETEE G1 1/4	KONTERMUTTER G11/4	TUERCA G1 1/4
54	F03010480	ANEL. OR 29,82X2,62 NBR	O.R. GASKET 29,82X2,62 NBR	JOINT O.R.29,82X2,62 NBR	DICHTUNG O.R. 29,82X2,62 NBR	JUNTA O.R. 29,82X2,62 NBR
55	F12034508	RACC PG C XGIRELLO25 G1	90°HOSE TAIL FLAT FLY-NUT25 G1	COUDE PORTE-JOINT ECROU 25 G1	GEBOG.SCHLAUCHAN.UBERWURF25 G1	RACOR PORTAMAN 90°TUERCA25 G1
56	F12026005	GIRELLO G1	FLY-NUT G1	ECROU G1	UBERWURFMUTTER G1	TUERCA G1
57	U12110001	GOMITO 90° M/F 1/4G OTTONE SZ	/	/	/	/
58	F12047204	RACCOR FORCH M ATT M G11/2M	/	/	/	/



**Kit mandata con una pompa / Supply kit with 1 pump**

**TAV. 100**

Pos.	Cod.	Descrizione	Description	Description	Benennung	Descripcion
1	F12011005	NIPPLO SIMM G11/2	NIPPLE SIMM G11/2	JUNCTION SYMETRIQUE G11/2	SYMMETRISH NIPPLE G11/2	UNION SIMETRICO G11/2
2	F03010475	ANEL. OR 29,20X3,00 NBR	O.R. GASKET 29,20X3,00 NBR	JOINT 29,20X3,00 NBR	DICHTUNG 29,20X3,00 NBR	JUNTA 29,20X3,00 NBR
3	U28010083	RPGC D32 X GIRELLO 1"1/2	RPGC \$32 X GIR.1"1/2	/	/	/
4	F12026007	GIRELLO G11/2	FLY NUT G11/2	ECROU G11/2	UBERVURFMUTTER G11/2	TUERCA G11/2
5	F10030093	FASC.INOX W4 32X50 BANDA 12	/	/	/	/
6	U32040119	TUBO GOMMA \$32X44 20 BAR	TUBO GOMMA \$32X44 20 BAR MONT	/	/	/
7	U12100140	GU OR X RACCORDI T6	/	/	/	/
8	F12045519	PG FORCHET C ATT F T6D32	/	/	/	/
9	U10010011	FORCELLA X RACCORDI T6	/	/	/	/
10	F12026006	GIRELLO G11/4	FLY-NUT G1 1/4	ECROU G1 1/4	UBERWURFMUTTER G1 1/4	TUERCA G1 1/4
11	U28010100	RPGC D25 ATT.FORCHETTA T6M	/	/	/	/
12	U10030071	FASC.INOX W4 25X40 BANDA 12	FASCETTA INOX W4 25X40 BANDA 12	/	/	/
13	F12034012	RACC PG DXGIRELLO25 G1 1/4	STRAIG.HOSE-FITT.FLY-NUT G11/4	RAC.PORTE-JOINT D.ECROU25G11/4	GERAD.SCHLAUCHAN.UBERWUR.G11/4	RAC.PORTAMAN.TUERCA G1 1/4
14	U10090087	FLANGIA TIPO M VALV.463 1"1/4M	/	/	/	/
15	U12140107	K.3 RUB.AUSILIARI PANN.C42-60	/	/	/	/
16	U28010018	RACC.PGM 13MM CURVO NRG	/	/	/	/
17	F12049761	FORCHETTA X T3	FORK T3 FOR MANIFOLD FITTINGS	/	/	/
18	F01020434	VIT.M 8X1,25X 16 U5739 A2 IX	SCR. M8X1,25X16 U5739 A2IX	VIS M 8X1,25X 16 U5739 8.8 IX	SCHRAUBE M 8X1,25X 16 U5739 8.	TORNIL. M 8X1,25X 16 U5739 8.8
19	F01410050	ROS.M8 8,4X 17X1,6 U6592 IX	WASHER M8 8,4X 17X1,6 U6592 IX	RONDELLE M8 8,4X 17X1,6 IX	SCHEIBE M8 8,4X 17X1,6 IX	ARANDELA M8 8,4X 17X1,6 IX
20	F01230032	DADO M 8X1,25 D982 A2 IX	NUT M8X1,25 D982 A2IX	ECROU M 8X1,25 D982 A2 IX	MUTTER M 8X1,25 D982 A2 IX	TUERCA M 8X1,25 D982 A2 IX
21	F01480101	ROS.G 8,4X14,4X2,7	SINGLE COIL 8,4X14,4X2,7 IX	RONDEL.ELASTIQUES 8,4X14,4X2,7	FEDERRINGE 8,4X14,4X2,7 IX	ARANDELAS 8,4X14,4X2,7 IX
22	F01430151	ROS.M8 8,4X 32X 2 U6593 IX	/	/	/	/
23	F01410050	ROS.M8 8,4X 17X1,6 U6592 IX	WASHER M8 8,4X 17X1,6 U6592 IX	RONDELLE M8 8,4X 17X1,6 IX	SCHEIBE M8 8,4X 17X1,6 IX	ARANDELA M8 8,4X 17X1,6 IX
24	U36000235	VALVOLA MAX PRS 450LT/MIN T6F	/	/	/	/
25	U18160075	MANOM.ABS 0-40 20B CENT.WK	MANOMETRO ABS 0-40 20B CENTRAL	/	/	/
26	U28030397	RAC.DRITTO F-F 1/4OT NICH.	RAC.DRITTO F-F 1/4OT NICH.	/	/	/
27	U28030398	RAC.RAPIDO 1/4M OT TUB\$4X2 AIR	RACC.RAPIDO 1/4"M OT TUBO \$4X2	/	/	/
28	U32040154	TUBO RILSAN PA11 \$4X2 NEUTRO	TUBO RILSAN PA11 \$4X2 NEUTRO	/	/	/
29	U24030157	PIASTRINA SUPP GETTO CANNONE	/	/	/	/
30	F01020415	VIT.M 6X 1X 45 U5739 A2 IX	/	/	/	/
31	F01410034	ROS.M6 6,4X12,5X1,6 U6592 IX	WASHER M6 6,4X12,5X1,6 U6592	/	/	/
32	F01200503	DADO M 6X 1 U5587 A2 IX	NUT M12X1,75 U5593 5.8ZN	/	/	/
33	F12045522	PG FORCHET C ATT F T6D40	/	/	/	/
34	U10030094	FASC.INOX W4 40X60 BANDA 12	FASCETTA INOX W4 40X60 BANDA 12	/	/	/
35	U32040170	TGM VAC S.EL.\$40X53 SPR.14BAR	TGM VAC S.EL.\$40X53 SPR.14BAR	/	/	/
36	U24030284	PIASTRINA FIX V.MAX CAMPO42	/	/	/	/
37	U32040168	TGM VAC S.EL.\$25X35 SPR.10BAR	TGM VACUPR S.EL.\$25X35 SPIRAL	/	/	/
38	F03010486	ANEL. OR 47,22X3,53 NBR	O.R. GASKET 47,22X3,53 NBR	O.R. 47,22X3,53 NBR	DICHTUG 47,22X3,53 NBR	JUNTA 47,22X3,53 NBR
39	F12034514	RACC PG C XGIRELLO25 G11/2	90°HOSE TAIL FLY-NUT25 G1 1/2	RACC.PORTE-JOINT CURVO G1 1/2	GEBOG.SCHLAUCHAN.UBERWU.G1 1/2	RAC.PORTAMAN.CURV.TUERCA G11/2
40	F12026007	GIRELLO G11/2	FLY NUT G11/2	ECROU G11/2	UBERVURFMUTTER G11/2	TUERCA G11/2
41	U10030071	FASC.INOX W4 25X40 BANDA 12	FASCETTA INOX W4 25X40 BANDA 12	/	/	/
42	U32040143	TGM IVG \$25X37 20BAR	TGM IVG \$25X37 20BAR	/	/	/
43	F12034510	RACC PG C XGIRELLO25 G11/4	RACC PG C XGIRELLO25 G11/4	/	/	/
44	F12026006	GIRELLO G11/4	FLY-NUT G1 1/4	ECROU G1 1/4	UBERWURFMUTTER G1 1/4	TUERCA G1 1/4
45	F03010781	ANEL. OR 3,53X 39,69 144 EPDM	O.R.GASKET 3,53X39,69 144 EPDM	/	/	JUNTA O.R. 3,53X39,69 144 EPDM
46	F12011012	NIPPLO PASS G11/4	NIPPLE G11/4	/	/	UNION SIMETR.PASAPARED G11/4
47	F12081528	GUARNIZIONE PIANA G1 1/4"	GASKET G1 1/4 "	JOINT G1 1/4	DICTUNGSRING G1 1/4	JUNTA G1 1/4
48	F12026505	GHIERA G11/4	LOCK-RING G1 1/4	RONDELLE FILETEE G1 1/4	KONTERMUTTER G11/4	TUERCA G1 1/4
49	U10030071	FASC.INOX W4 25X40 BANDA 12	FASCETTA INOX W4 25X40 BANDA 12	/	/	/
50	F03010480	ANEL. OR 29,82X2,62 NBR	O.R. GASKET 29,82X2,62 NBR	JOINT O.R.29,82X2,62 NBR	DICTUNG O.R. 29,82X2,62 NBR	JUNTA O.R. 29,82X2,62 NBR
51	F12034508	RACC PG C XGIRELLO25 G1	90°HOSE TAIL FLAT FLY-NUT25 G1	COUDE PORTE-JOINT ECROU 25 G1	GEBOG.SCHLAUCHAN.UBERWURF25 G1	RACOR PORTAMAN 90°TUERCA25 G1
52	F12026005	GIRELLO G1	FLY-NUT G1	ECROU G1	UBERWURFMUTTER G1	TUERCA G1
53	U12110001	GOMITO 90° M/F 1/4G OTTONE SZ	/	/	/	/
54	F12047204	RACCOR FORCH M ATT M G11/2M	/	/	/	/

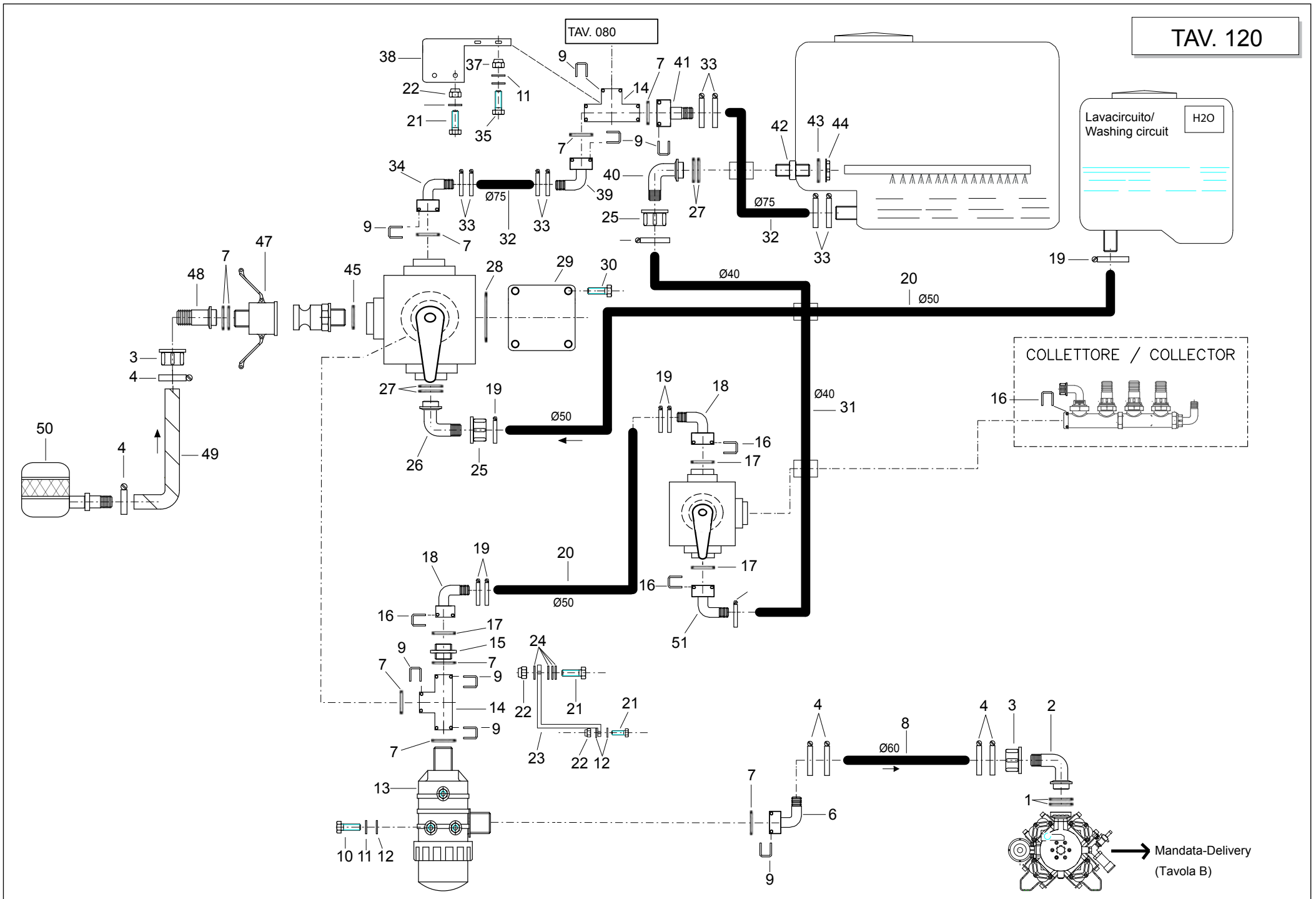




**Kit aspirazione / Suction kit**

**TAV. 110**

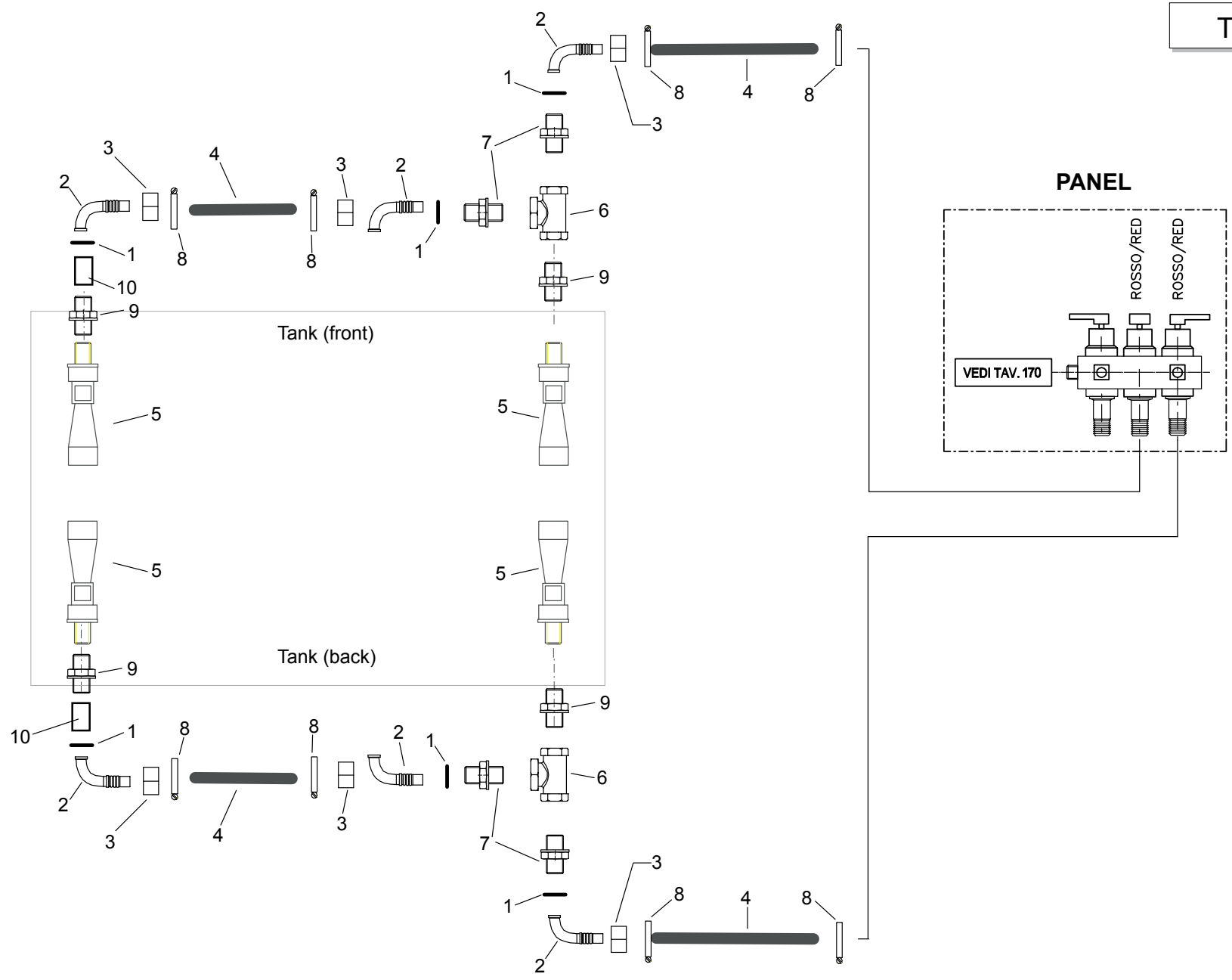
Pos.	Cod.	Descrizione	Description	Description	Benennung	Descripcion
1	F12081531	GUARNIZIONE 2" 1/2	GASKET G2 1/2	JOINT G2 1/2	DICTUNGSRING G2 1/2	JUNTA G2 1/2
2	F12034524	RACC PG C XGIRELLO60 G21/2	RACC PG C XGIRELLO60 G21/2	/	/	/
3	F12026009	GIRELLO G21/2	FLY-NUT G2 1/2	/	/	/
4	U10030096	FASC.INOX W4 60X80 BANDA 12	CLAMP STAINLESS STEEL BAND	/	/	/
5	U28000129	RACCORDO DRITT.T9M D60 1091960	/	/	/	/
6	U28010093	RPGC \$60 ATT.FORCHETTA T9M	/	/	/	/
7	F03011306	ANEL. OR X RACC T9	O.R.GASKET FOR T9 FITT	/	/	/
8	U32040173	TGM VAC S.EL.\$60X74 SPR.12BAR	TGM VAC S.EL.D60X74 SPR.12BAR	/	/	/
9	F12049760	FORCHETTA X T9	FORK FOR T9	EPINGLE POUR T9	STECKER FUR T9	HORQUILLA PARA T9
10	F01020434	VIT.M 8X1,25X 16 U5739 A2 IX	SCR. M8X1,25X16 U5739 A2IX	VIS M 8X1,25X 16 U5739 8.8 IX	SCHRAUBE M 8X1,25X 16 U5739 8.	TORNIL. M 8X1,25X 16 U5739 8.8
11	F01480101	ROS.G 8,4X14,4X2,7	SINGLE COIL 8,4X14,4X2,7 IX	RONDEL.ELASTIQUES 8,4X14,4X2,7	FEDERRINGE 8,4X14,4X2,7 IX	ARANDELAS 8,4X14,4X2,7 IX
12	F01410050	ROS.M8 8,4X 17X1,6 U6592 IX	WASHER M8 8,4X 17X1,6 U6592 IX	RONDELLE M8 8,4X 17X1,6 IX	SCHEIBE M8 8,4X 17X1,6 IX	ARANDELA M8 8,4X 17X1,6 IX
13	U28030496	RACCORDO T T9F-T9F-T9F (13	/	/	/	/
14	U20000104	NIPPLO T9M-T9M	NIPPLO T9M-T9M	/	/	/
15	U28250081	RIDUZIONE T9M-T7M (259179)	/	/	/	/
16	U10010117	FORCELLA X RACCORDI T7	/	/	/	/
17	U12100267	OR 3,53X53,57X60,63 4212 EPDM	/	/	/	/
18	F12041502	FILTRO ASPIR FORCHET T9CM464	/	/	/	/
19	U10030094	FASC.INOX W4 40X60 BANDA 12	FASCETTA INOX W4 40X60 BANDA 12	/	/	/
20	U32040170	TGM VAC S.EL.\$40X53 SPR.14BAR	TGM VAC S.EL.\$40X53 SPR.14BAR	/	/	/
21	F12045523	PG FORCHET C ATT F T7D40	PG FORCHET C ATT F T7D40	/	/	/
22	F12045522	PG FORCHET C ATT F T6D40	/	/	/	/
23	U10010011	FORCELLA X RACCORDI T6	/	/	/	/
24	U12100140	GU OR X RACCORDI T6	/	/	/	/
25	U28010090	RPGC \$50 ATT.FORCHETTA T7F	RPGC \$50 ATT.FORCHETTA T7F	/	/	/
26	U10030095	FASC.INOX W4 50X70 BANDA 12	FASCETTA INOX W4 50X70 BANDA 12	/	/	/
27	F12026008	GIRELLO G2	FLY NUT G2	ECROU G2	UBERWURFMUTTER G2	TUERCA G2
28	F12034522	RACC PG C XGIRELLO50 G2	90°HOSE FITT.FLY-NUT 50 G2	COUDE PORTEJOINT ECROU 50 G2	GEBOG.SCHLAUCHAN.UBERWUR.50 G2	RAC.PORTAMAN CURVO TUERCA50 G2
29	F12034520	RACC PG C XGIRELLO40 G2	/	/	/	/
30	U32040172	TGM VAC S.EL.\$50X63 SPR.12BAR	TGM VACUPR S.EL.\$50X63 SPIRAL	/	/	/
31	F03010528	ANEL. OR 39,34X2,62 NBR	O.R. GASKET 39,34X2,62 NBR	JOINTS 39,34X2,62 NBR	DICHTUNG 39,34X2,62 NBR	JUNTA 39,34X2,62 NBR
32	F02300053	FASCETTA STRING. 90/120 H12	HOSE CLAMP 90/120 H12	/	/	/
33	U32040180	TGM VACUPR S.EL.\$75X91 SPI	/	/	/	/
34	F12045529	PG FORCHET C ATT F T9D75	/	/	/	/
35	F01020443	VIT.M 8X1,25X 25 U5739 A2 IX	SCR. M8X1,25X25 U5739 A2IX	VIS M8X1.25X25 U5739 A2 IX	SCHRAUBE M8X1.25X25 5739 A2 IX	TORNILLO M8X1.25X25 5739 A2 IX
36	F01230032	DADO M 8X1,25 D982 A2 IX	NUT M8X1,25 D982 A2IX	ECROU M 8X1,25 D982 A2 IX	MUTTER M 8X1,25 D982 A2 IX	TUERCA M 8X1,25 D982 A2 IX
37	F01230047	DADO M10X1,5 D982 A2IX	NUT M10X1,5 D982 A2IX	ECROU M10X 1,5 D982 A2 IX	MUTTER M10X 1,5 D982 A2 IX	TUERCA M10X 1,5 D982 A2 IX
38	F01021048	VITE M10X1,5 X 35 U5739 8.8GE	BOLT M10X1,5X35 U5739 8.8 GE	/	/	/
39	F12081523	ANEL. OR 82,14X3,53 EPDM 4325	FORK GASKET G3	JOINT POUR EPINGLE G3	STECKER DICTUNG G3	JUNTA PARA HORQUILLA G3
40	F12038756	TAPPO X ADATT M 3"	/	/	/	/
41	F01040118	VITE M10X1,5 X 25 U5931 8.8ZN	/	/	/	/
43	F12011014	NIPPLO PASS G2	SYMM.AND BULKHEAD NIPPLE G2	MAMELON SYMETR A FILET LONG G2	SYMM UND WANDDURCHGAND NIPP.G2	UNION SIMETRICO Y PASAPARED G2
44	F12081529	GUARNIZIONE 2" BSP	GASKET G2 BSP	JOINT G2 BSP	DICTUNGSRING G2 BSP	JUNTA G2 BSP
45	F12026507	GHIERA G2	LOCK RING G2	RONDELLE FILETEE G2	KONTERMUTTER G2	TUERCA G2
46	U30021141	SUPPORTO RACCORDO ASPIRAZ.	/	/	/	/
49	F12039008	ACCOPP F FILET M 3"G21/2	/	/	/	/
50	F12081531	GUARNIZIONE 2" 1/2	GASKET G2 1/2	JOINT G2 1/2	DICTUNGSRING G2 1/2	JUNTA G2 1/2
51	F12034025	RACC PG DXGIRELLO60 G3	RPGD \$60 X GIR.2"1/2	/	/	/
52	U28010019	RACC.CURVO \$75 T9M	/	/	/	/
53	F01430151	ROS.M8 8,4X 32X 2 U6593 IX	/	/	/	/
54	U30021145	SUPPORTO GCP CAMPO 42 "2013"	/	/	/	/
55	F12045283	PG FORCHET D ATT M T9D75	/	/	/	/
56	U32040100	TUBO ARMORVIN D60X72	/	/	/	/
57	F12043010	FILTRO ASPIR GALLEG D60L265	SUCTION FLOAT FILTER	FILTRE D'ASPIRATION FLOTTANT	ABSAUGEN GLEIT FILTER	FILTRO AASPIRAR FLOTADOR



**Kit aspirazione / Suction kit**

**TAV. 120**

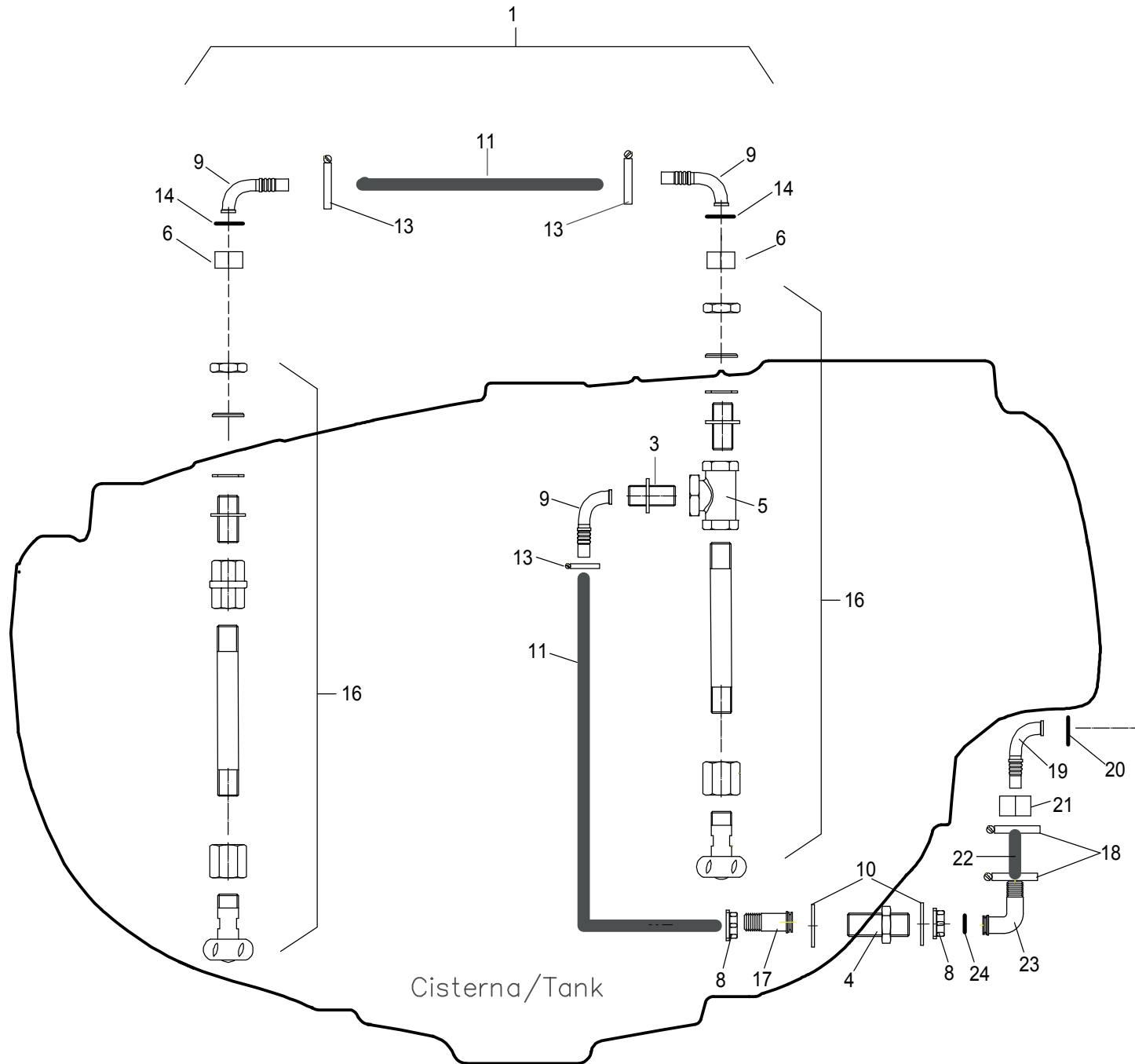
Pos.	Cod.	Descrizione	Description	Description	Benennung	Descripcion
1	F12081531	GUARNIZIONE 2" 1/2	GASKET G2 1/2	JOINT G2 1/2	DICTUNGSRING G2 1/2	JUNTA G2 1/2
2	F12034524	RACC PG C XGIRELLO60 G21/2	RACC PG C XGIRELLO60 G21/2	/	/	/
3	F12026009	GIRELLO G21/2	FLY-NUT G2 1/2	/	/	/
4	U10030096	FASC.INOX W4 60X80 BANDA 12	CLAMP STAINLESS STEEL BAND	/	/	/
5	U28000129	RACCORDO DRITT.T9M D60 1091960	/	/	/	/
6	U28010093	RPGC \$60 ATT.FORCHETTA T9M	/	/	/	/
7	F03011306	ANEL. OR X RACC T9	O.R.GASKET FOR T9 FITT	/	/	/
8	U32040173	TGM VAC S.EL.\$60X74 SPR.12BAR	TGM VAC S.EL.D60X74 SPR.12BAR	/	/	/
9	F12049760	FORCHETTA X T9	FORK FOR T9	EPINGLE POUR T9	STECKER FUR T9	HORQUILLA PARA T9
10	F01020434	VIT.M 8X1,25X 16 U5739 A2 IX	SCR. M8X1,25X16 U5739 A2IX	VIS M 8X1,25X 16 U5739 8.8 IX	SCHRAUBE M 8X1,25X 16 U5739 8.	TORNIL. M 8X1,25X 16 U5739 8.8
11	F01480101	ROS.G 8,4X14,4X2,7	SINGLE COIL 8,4X14,4X2,7 IX	RONDEL.ELASTIQUES 8,4X14,4X2,7	FEDERRINGE 8,4X14,4X2,7 IX	ARANDELAS 8,4X14,4X2,7 IX
12	F01410050	ROS.M8 8,4X 17X1,6 U6592 IX	WASHER M8 8,4X 17X1,6 U6592 IX	RONDELLE M8 8,4X 17X1,6 IX	SCHEIBE M8 8,4X 17X1,6 IX	ARANDELA M8 8,4X 17X1,6 IX
13	F12041502	FILTRO ASPIR FORCHET T9CM464	/	/	/	/
14	U28030496	RACCORDO T T9F-T9F-T9F (13	/	/	/	/
15	U28250081	RIDUZIONE T9M-T7M (259179)	/	/	/	/
16	U10010117	FORCELLA X RACCORDI T7	/	/	/	/
17	U12100267	OR 3,53X53,57X60,63 4212 EPDM	/	/	/	/
18	U28010090	RPGC \$50 ATT.FORCHETTA T7F	RPGC \$50 ATT.FORCHETTA T7F	/	/	/
19	U10030095	FASC.INOX W4 50X70 BANDA 12	FASCETTA INOX W4 50X70 BANDA 12	/	/	/
20	U32040172	TGM VAC S.EL.\$50X63 SPR.12BAR	TGM VACUPR S.EL.\$50X63 SPIRAL	/	/	/
21	F01020443	VIT.M 8X1,25X 25 U5739 A2 IX	SCR. M8X1,25X25 U5739 A2IX	VIS M8X1,25X25 U5739 A2 IX	SCHRAUBE M8X1,25X25 5739 A2 IX	TORNILLO M8X1,25X25 5739 A2 IX
22	F01230032	DADO M 8X1,25 D982 A2 IX	NUT M8X1,25 D982 A2IX	ECROU M 8X1,25 D982 A2 IX	MUTTER M 8X1,25 D982 A2 IX	TUERCA M 8X1,25 D982 A2 IX
23	U30021145	SUPPORTO GCP CAMPO 42 "2013"	/	/	/	/
24	F01430151	ROS.M8 8,4X 32X 2 U6593 IX	/	/	/	/
25	F12026008	GIRELLO G2	FLY NUT G2	ECROU G2	UBERWURFMUTTER G2	TUERCA G2
26	F12034522	RACC PG C XGIRELLO50 G2	90°HOSE FITT.FLY-NUT 50 G2	COUDE PORTEJOINT ECROU 50 G2	GEBOG.SCHLAUCHAN.UBERWUR.50 G2	RAC.PORTAMAN CURVO TUERCA50 G2
27	F03010528	ANEL. OR 39,34X2,62 NBR	O.R. GASKET 39,34X2,62 NBR	JOINTS 39,34X2,62 NBR	DICHTUNG 39,34X2,62 NBR	JUNTA 39,34X2,62 NBR
28	F12081523	ANEL. OR 82,14X3,53 EPDM 4325	FORK GASKET G3	JOINT POUR EPINGLE G3	STECKER DICTUNG G3	JUNTA PARA HORQUILLA G3
29	F12038756	TAPPO X ADATT M 3"	/	/	/	/
30	F01040118	VITE M10X1,5 X 25 U5931 8.8ZN	/	/	/	/
31	U32040170	TGM VAC S.EL.\$40X53 SPR.14BAR	TGM VAC S.EL.\$40X53 SPR.14BAR	/	/	/
32	U32040180	TGM VACUPR S.EL.\$75X91 SPI	/	/	/	/
33	F02300053	FASCETTA STRING. 90/120 H12	HOSE CLAMP 90/120 H12	/	/	/
34	F12045529	PG FORCHET C ATT F T9D75	/	/	/	/
35	F01021048	VITE M10X1,5 X 35 U5739 8.8GE	BOLT M10X1,5X35 U5739 8.8 GE	/	/	/
37	F01230047	DADO M10X1,5 D982 A2IX	NUT M10X1,5 D982 A2IX	ECROU M10X 1,5 D982 A2 IX	MUTTER M10X 1,5 D982 A2 IX	TUERCA M10X 1,5 D982 A2 IX
38	U30021141	SUPPORTO RACCORDO ASPIRAZ.	/	/	/	/
39	U28010019	RACC.CURVO \$75 T9M	/	/	/	/
40	F12034520	RACC PG C XGIRELLO40 G2	/	/	/	/
41	F12045283	PG FORCHET D ATT M T9D75	/	/	/	/
42	F12011014	NIPPLO PASS G2	SYMM.AND BULKHEAD NIPPLE G2	MAMELON SYMETR A FILET LONG G2	SYMM UND WANDDURCHGAND NIPP.G2	UNION SIMETRICO Y PASAPARED G2
43	F12081529	GUARNIZIONE 2" BSP	GASKET G2 BSP	JOINT G2 BSP	DICTUNGSRING G2 BSP	JUNTA G2 BSP
44	F12026507	GHIERA G2	LOCK RING G2	RONDELLE FILETEE G2	KONTERMUTTER G2	TUERCA G2
45	F12081531	GUARNIZIONE 2" 1/2	GASKET G2 1/2	JOINT G2 1/2	DICTUNGSRING G2 1/2	JUNTA G2 1/2
47	F12039008	ACCOPP F FILET M 3"G21/2	/	/	/	/
48	F12034025	RACC PG DXGIRELLO60 G3	RPGD \$60 X GIR.2"1/2	/	/	/
49	U32040100	TUBO ARMORVIN D60X72	/	/	/	/
50	F12043010	FILTRO ASPIR GALLEG D60L265	SUCTION FLOAT FILTER	FILTRE D'ASPIRATION FLOTTANT	ABSAUGEN GLEIT FILTER	FILTRO A ASPIRAR FLOTADOR
51	F12045523	PG FORCHET C ATT F T7D40	PG FORCHET C ATT F T7D40	/	/	/



## Agitatori / Shakers

TAV. 130

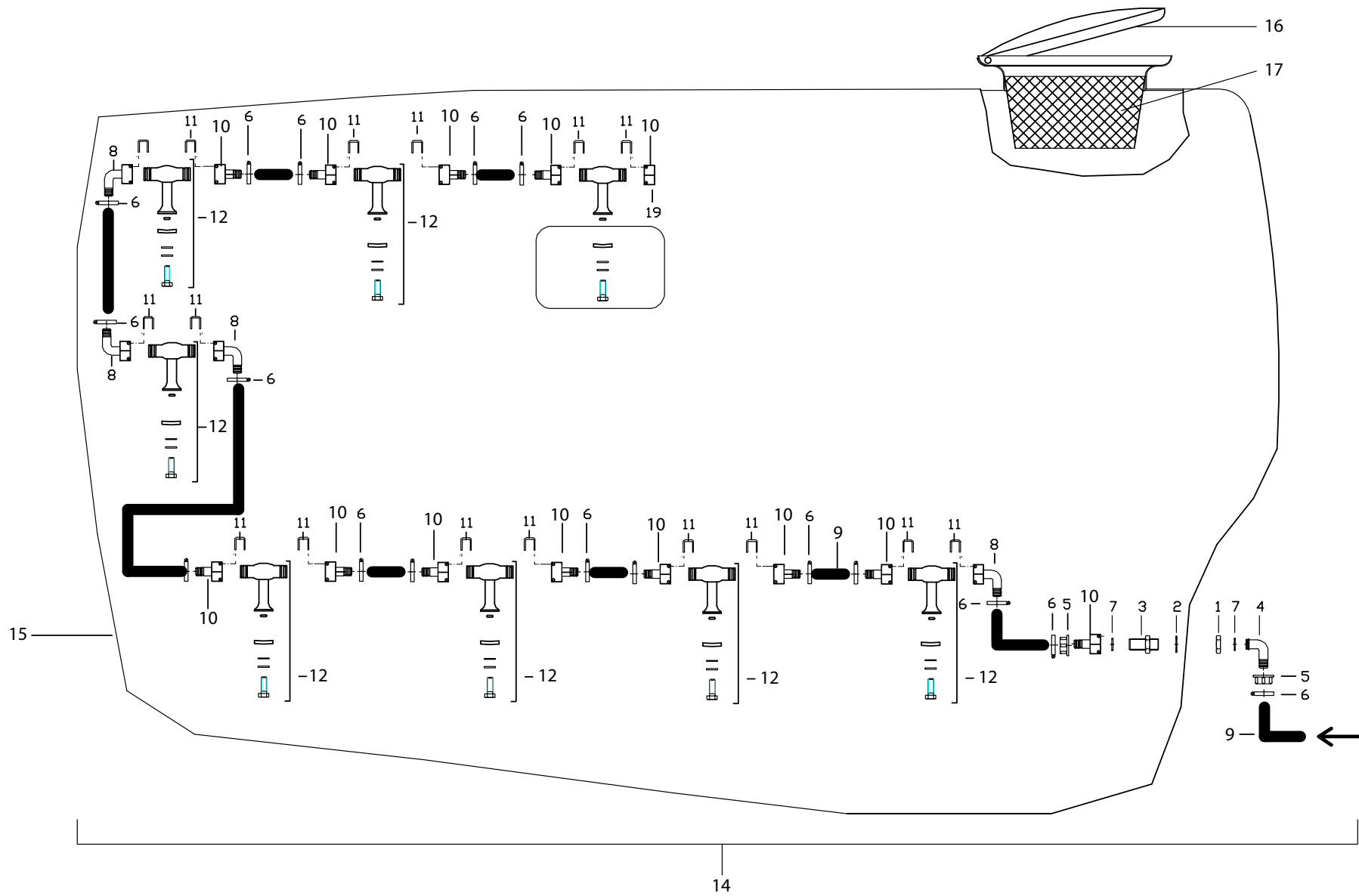
Pos.	Cod.	Descrizione	Description	Description	Benennung	Descripcion
1	U12100216	GUOR\$13,10X18,34X2,62 OM OR117	GASK.\$13,10X18,34X2,62 OM OR11	/	/	/
2	F12034502	RACC PG C XGIRELLO13 G3/4	90°HOSE FITT.FLY-NUT13 G3/4	COUDE PORTEJOINT ECROU13 G3/4	GEBOG SCHLAUNCHAN UBERWUR.G3/4	RAC.PORTAMAN.CURVO TUERCA G3/4
3	F12026004	GIRELLO G3/4	FLY-NUT G3/4	ECROU G3/4	UBERWURFMUTTER G3/4	TUERCA G3/4
4	U32040001	TGM \$10X19 FRUTPRES 50BAR TREG	TGM D10X19 FRUTPRES 50BAR TREG	/	/	/
5	U00140030	AGITATORE ORIENT.ISPEZ.\$3 CER.ROSSO	ADJU.MIXER ISPEZ.\$3 CER.RED	/	/	/
6	F12024503	RACC A T F G3/4G3/4	TEE FITTING F G3/4	"TE" FEMELLE G3/4	T STUCK MIT INNENGEWINDE G3/4	RACOR "T" HEMBRA G3/4
7	F12011002	NIPPLIO SIMM G3/4	SYMMETRICAL NIPPLE G3/4	MAMELON SYMET. A FIL.LONG G3/4	SYMMET.NIPPEL WANDDURCHG.G 3/4	UNION SIMETR.Y PASAPARED G 3/4
8	U10030090	FASCETTA INOX W4 12X22 BANDA 9	CLAMP INOX W4 12X22 DIAMET.9	/	/	/
9	U28250071	RID.3/4"-1/2" M-F PVC	/	/	/	/
10	F12012003	MANICOTTO F/F G3/4	MANICOTTO F/F G3/4	/	/	/



Lavacisterna / Wash tank

TAV. 140

Pos.	Cod.	Descrizione	Description	Description	Benennung	Descripcion
1	U12240335	K.2 GET.LAVCIST.ROTOR X C42-60 /	/	/	/	/
2	F03010972	ANEL. OR 2,62X26,65	O.R. GASKET 2,62X26,65	/	/	/
3	F03020009	NIPPLO DI GIUNZIONE BSP 3/4-14	JUNCTION NIPPLE BSP 3/4-14	NIPPLE DE JUNCTION BSP 3/4-14	NIPPEL BSP 3/4 - 14	NIPLO DE JUNCION BSP 3/4-14
4	F12011012	NIPPLO PASS G11/4	NIPPLE G11/4	/	/	UNION SIMETR.PASAPARED G11/4
5	F12024503	RACC A T F G3/4G3/4	TEE FITTING F G3/4	"TE" FEMELLE G3/4	T STUCK MIT INNENGEWINDE G3/4	RACOR "T" HEMBRA G3/4
6	F12026004	GIRELLO G3/4	FLY-NUT G3/4	ECROU G3/4	UBERWURFMUTTER G3/4	TUERCA G3/4
7	F12026006	GIRELLO G11/4	FLY-NUT G1 1/4	ECROU G1 1/4	UBERWURFMUTTER G1 1/4	TUERCA G1 1/4
8	F12026505	GHIERA G11/4	LOCK-RING G1 1/4	RONDELLE FILETEE G1 1/4	KONTERMUTTER G11/4	TUERCA G1 1/4
9	F12034527	RPGC D19 X GIRELLO 3/4"	/	/	/	/
10	F12081528	GUARNIZIONE PIANA G1 1/4"	GASKET G1 1/4 "	JOINT G1 1/4	DICTUNGSRING G1 1/4	JUNTA G1 1/4
11	F12130008	TUBO ACQUA PRESS. D 19 20BAR	WATER PIPE D19	TUBE DE PRESSION AGUA D19	WASSER PRESSURE GURRTE D19	TUBO PARA PRESSION DE AGUA D19
12	U10030090	FASC.INOX W4 12X22 BANDA 9	CLAMP INOX W4 12X22 DIAMET.9	/	/	/
13	U10030092	FASC.INOX W4 20X32 BANDA 12	FASCETTA INOX W4 20X32 BANDA 1	/	/	/
14	U12100216	GUOR\$13,10X18,34X2,62 OM OR117	GASK.\$13,10X18,34X2,62 OM OR11	/	/	/
15	U12100231	GUOR \$39,34X44,58X2,62 OR3156	GASKET\$39,34X44,58X2,62 OR3156	/	/	/
16	U12240036	ROTOR B ARANCIO PROL30 3/4	/	/	/	/
17	U28000115	RPGD \$19 G1"1/4 FEM 100519	RPGD \$19 G1"1/4 FEM 100519	/	/	/
18	U10030071	FASC.INOX W4 25X40 BANDA 12	FASCETTA INOX W4 25X40 BANDA 1	/	/	/
19	F12034508	RACC PG C XGIRELLO25 G1	90°HOSE TAIL FLAT FLY-NUT25 G1	COUDE PORTE-JOINT ECROU 25 G1	GEBOG.SCHLAUCHAN.UBERWURF25 G1	RACOR PORTAMAN 90°TUERCA25 G1
20	F03010438	ANEL. OR 20,24X2,62 NBR	O.R. 20,24X2,62 NBR	JOINT O.R.20,24X2,62 NBR	DICTUNG O.R 20,24X2,62 NBR	JUNTA O.R. 20,24X2,62 NBR
21	F12026005	GIRELLO G1	FLY-NUT G1	ECROU G1	UBERWURFMUTTER G1	TUERCA G1
22	U32040143	TGM IVG \$25X37 20BAR	TGM IVG \$25X37 20BAR	/	/	/
23	F12034510	RACC PG C XGIRELLO25 G11/4	RACC PG C XGIRELLO25 G11/4	/	/	/
24	F03010972	ANEL. OR 2,62X26,65	O.R. GASKET 2,62X26,65	/	/	/

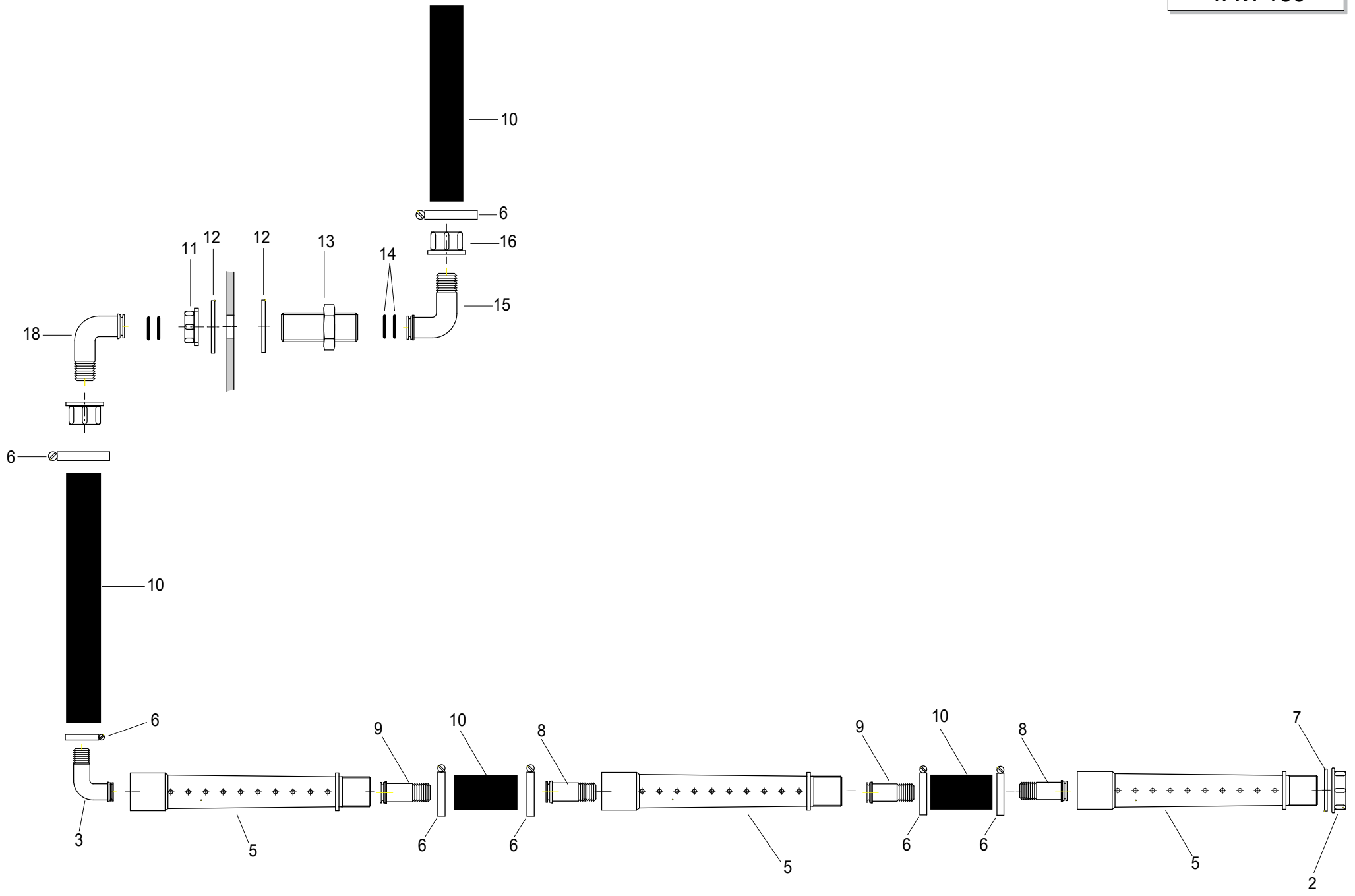




## Agitatori antisedimento / Agitators anti-sediment

TAV. 150

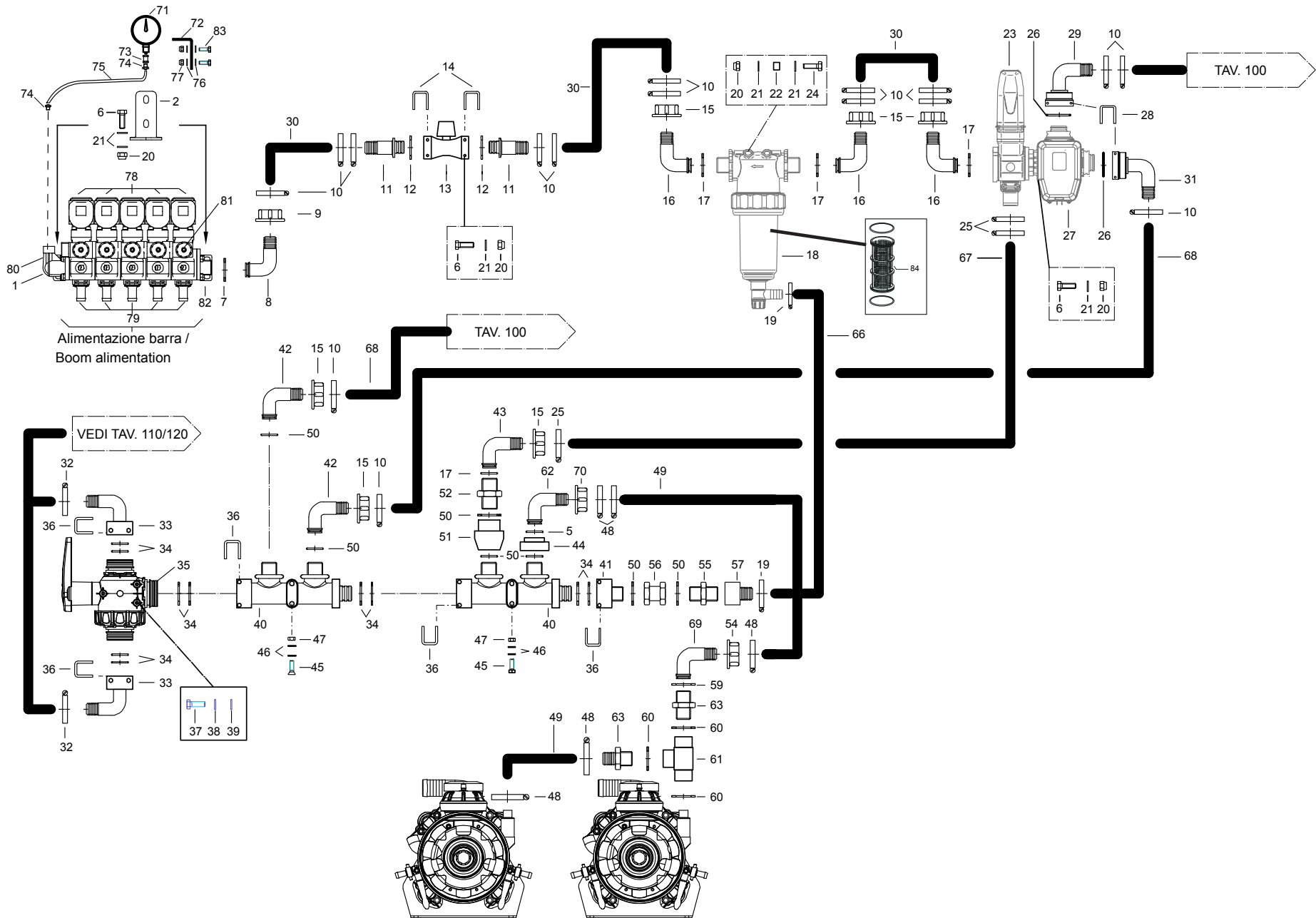
Pos.	Cod.	Descrizione	Description	Description	Benennung	Descripcion
1	F12026503	GHIERA G3/4	RING G3/4	/	/	/
2	F12081510	GUARN.PIAN.FIL M G3/4 F G 11/4	FLAT GASKET FOR M G3/4-F G11/4	JOINT POUR FILET LONG M G3/4	DICTUN AUSSUNGEW WANDDURC.G3/4	JUNTAS PARA ROSCAS MACHO G3/4
3	U20000026	NIPPLO G3/4" ASIMMETRICO	/	/	/	/
4	F12034502	RACC PG C XGIRELLO13 G3/4	90°HOSE FITT.FLY-NUT13 G3/4	COUDE PORTEJOINT ECROU13 G3/4	GEBOG SCHLAUNCHAN UBERWUR.G3/4	RAC.PORTAMAN.CURVO TUERCA G3/4
5	F12026004	GIRELLO G3/4	FLY-NUT G3/4	ECROU G3/4	UBERWURFMUTTER G3/4	TUERCA G3/4
6	U10030090	FASC.INOX W4 12X22 BANDA 9	CLAMP INOX W4 12X22 DIAMET.9	/	/	/
7	U12100216	GUOR\$13,10X18,34X2,62 OM OR117	GASK.\$13,10X18,34X2,62 OM OR11	/	/	/
8	F12031518	RACC PG C F13 T3	RACC PG C F13 T3	/	/	/
9	U32040035	TUBO PVC 13,5X21 NERO 40/120B.	PIPE PVC13,5X21 BLACK 40/120BA	/	/	/
10	F12031517	RACC PG D F13 T3	RACC PG D F13 T3	/	/	/
11	F12049761	FORCHETTA X T3	FORK T3 FOR MANIFOLD FITTINGS	/	/	/
12	U00140005	AGITATORE ANTISEDIMENTO D1,5	/	/	/	/
13	F12046502	TAPPO FORCHET FEMMINA T3	/	/	/	/
14	U00140108	K.8 AGIT.ANTISEDIM. D1,5 X C42	/	/	/	/
15	U04610877	CIST.CAMPO 42 BIANC+BOPO R	/	/	/	/
16	U04020163	KIT COP.RIB.455 VERS.2010 S/AN	KIT COP.RIB.455 VERS.2010 S/AN	/	/	/
17	U10020144	FILTRO SACCO \$450 (400X320)	FILT.SACCO \$450 (400X320)	/	/	/



Tubo forato / Perforated pipe

TAV. 160

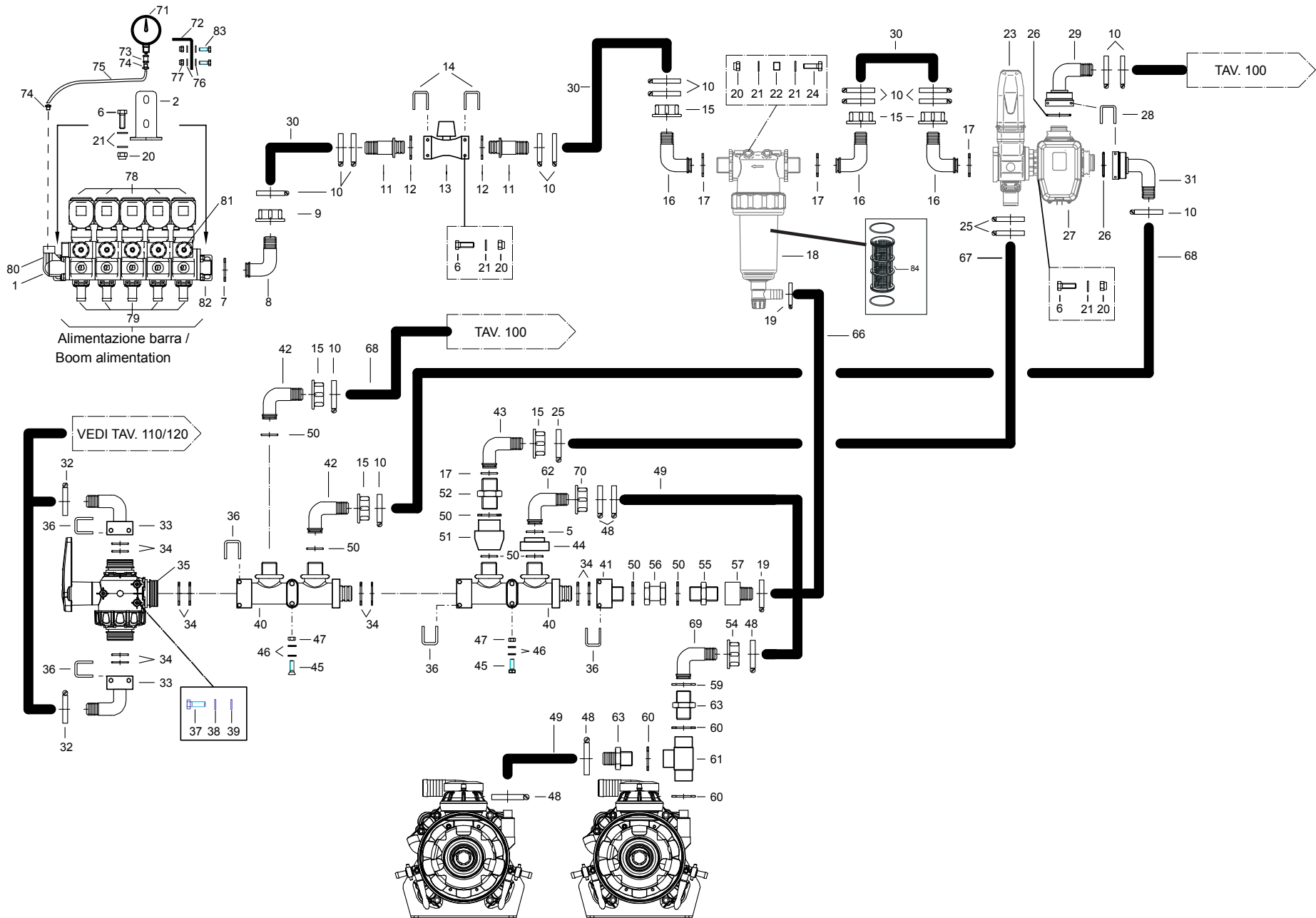
Pos.	Cod.	Descrizione	Description	Description	Benennung	Descripcion
1	U32080753	K.TUBO FOR.500LT 80F C42 AR560	/	/	/	/
2	F12019506	TAPPO F G1 1/4	TAPADOR HEMBRA G1 1/4	/	/	/
3	F12032019	RACC PG C90° M40 G1 1/4	RACC PG C90° M40 G1 1/4	/	/	/
4	U32040096	TUBO GOM.\$40X55 10 BAR INT.ASP	TUBO GOMMA \$40X55 10 BAR INT.A	/	/	/
5	U32080612	TUBO 20FORI 1¼M-F X AGITAZIONE	TUBO 20FORI 1"1/4M-F X AGITAZI	/	/	/
6	U10030094	FASC.INOX W4 40X60 BANDA 12	FASCETTA INOX W4 40X60 BANDA 1	/	/	/
7	F12081528	GUARNIZIONE PIANA G1 1/4"	GASKET G1 1/4 "	JOINT G1 1/4	DICTUNGSRING G1 1/4	JUNTA G1 1/4
8	U28000077	RPGD \$40 1"1/4 MASCHIO	RPGD \$40 1"1/4 MAS.	/	/	/
9	U28000094	RPGD \$40-G1"1/4F 8000307	/	/	/	/
10	U32040096	TUBO GOM.\$40X55 10 BAR INT.ASP	TUBO GOMMA \$40X55 10 BAR INT.A	/	/	/
11	F12026507	GHIERA G2	LOCK RING G2	RONDELLE FILETEE G2	KONTERMUTTER G2	TUERCA G2
12	F12081529	GUARNIZIONE 2" BSP	GASKET G2 BSP	JOINT G2 BSP	DICTUNGSRING G2 BSP	JUNTA G2 BSP
13	F12011014	NIPPLO PASS G2	SYMM.AND BULKHEAD NIPPLE G2	MAMELON SYMETR A FILET LONG G2	SYMM UND WANDDURCHGAND NIPP.G2	UNION SIMETRICO Y PASAPARED G2
14	F03010528	ANEL. OR 39,34X2,62 NBR	O.R. GASKET 39,34X2,62 NBR	JOINTS 39,34X2,62 NBR	DICHTUNG 39,34X2,62 NBR	JUNTA 39,34X2,62 NBR
15	F12034520	RACC PG C XGIRELLO40 G2	/	/	/	/
16	F12026008	GIRELLO G2	FLY NUT G2	ECROU G2	UBERWURFMUTTER G2	TUERCA G2
18	F12032019	RACC PG C90° M40 G1 1/4	RACC PG C90° M40 G1 1/4	/	/	/



**Collegamenti regolatore di pressione / Connections pressure regulator**

**TAV. 170**

Pos.	Cod.	Descrizione	Description	Description	Benennung	Descripcion
1	U12040484	GCPE ST/DRIV.5VE+R+GE+VM+2RA	/	/	/	/
1	U36000227	GR.ELETTROV.9SEZ.12V 210LT 30B	/	/	/	/
2	USP000358	PIAS.ATT. VALV. ELETTR. ACQUA	/	/	/	/
6	F01020443	VIT.M 8X1,25X 25 U5739 A2 IX	SCR. M8X1,25X25 U5739 A2IX	VIS M8X1.25X25 U5739 A2 IX	SCHRAUBE M8X1.25X25 5739 A2 IX	TORNILLO M8X1.25X25 5739 A2 IX
7	U12100064	GUOR \$20,24X2,62X25,48 G.NIT	GASKET D20,24X2,62X25,48 G.NIT	/	/	/
8	F12034513	RACC PG C XGIRELLO32 G11/4	/	/	/	/
9	F12026006	GIRELLO G11/4	FLY-NUT G1 1/4	ECROU G1 1/4	UBERWURFMUTTER G1 1/4	TUERCA G1 1/4
11	F12045268	PG FORCHET D ATT M T5D32	/	/	/	/
12	U12100117	GUOR \$36,10X3,53X43,16 VT	GUOR \$36,10X3,53X43,16 VT	/	/	/
13	U32240026	FLUSSOMETRO WOLF 10-200 20BAR	FLOWMETER WOLF 10-200 20BAR	/	/	/
14	U10010009	FORCELLA X ATTACCO T5	/	/	/	/
16	U28010083	RPGC D32 X GIRELLO 1"1/2	RPGC \$32 X GIR.1"1/2	/	/	/
18	U10020014	FILTRO LIN.1"1/2M 80MSH AUTOPI	FILT.LINEA 1"1/2M 80MSH AUTOPI	/	/	/
19	U10030092	FASC.INOX W4 20X32 BANDA 12	FASCETTA INOX W4 20X32 BANDA 12	/	/	/
20	F01230032	DADO M 8X1,25 D982 A2 IX	NUT M8X1,25 D982 A2IX	ECROU M 8X1,25 D982 A2 IX	MUTTER M 8X1,25 D982 A2 IX	TUERCA M 8X1,25 D982 A2 IX
21	F01410050	ROS.M8 8,4X 17X1,6 U6592 IX	WASHER M8 8,4X 17X1,6 U6592 IX	RONDELLE M8 8,4X 17X1,6 IX	SCHEIBE M8 8,4X 17X1,6 IX	ARANDELA M8 8,4X 17X1,6 IX
22	U30020054	DIST.\$8,5X20 H=18 PVC	DIST.\$8,5X20 H=18 PVC	/	/	/
23	U36000029	VALVOLA PRESS.VOLUMETR.PTGD30	VALVE PRESS. VOLUMETRIC PTG\$30	/	/	/
24	F01021062	VITE M 8X1,25X130 U5737 A2IX	BOLT M8X1,25X130 U5739 A2IX	/	/	/
27	U36000234	VALVOLA GENERALE ELETTRICA T6M	GENERAL ELECTRIC VALVE T6M	/	/	/
29	F12045519	PG FORCHET C ATT F T6D32	/	/	/	/
30	U32040119	TUBO GOMMA \$32X44 20 BAR	TUBO GOMMA \$32X44 20 BAR M0NT	/	/	/
31	F12045522	PG FORCHET C ATT F T6D40	/	/	/	/
33	U28010090	RPGC \$50 ATT.FORCHETTA T7F	RPGC \$50 ATT.FORCHETTA T7F	/	/	/
34	U12100267	OR 3,53X53,57X60,63 4212 EPDM	/	/	/	/
35	U28260015	DEVIATORE3V FL.CONT.T7M LEVAL	/	/	/	/
36	U10010117	FORCELLA X RACCORDI T7	/	/	/	/
37	F01020434	VIT.M 8X1,25X 16 U5739 A2 IX	SCR. M8X1,25X16 U5739 A2IX	VIS M 8X1,25X 16 U5739 8.8 IX	SCHRAUBE M 8X1,25X 16 U5739 8.	TORNIL. M 8X1,25X 16 U5739 8.8
38	F01480101	ROS.G 8,4X14,4X2,7 IX	SINGLE COIL 8,4X14,4X2,7 IX	RONDEL.ELASTIQUES 8,4X14,4X2,7	FEDERRINGE 8,4X14,4X2,7 IX	ARANDELAS 8,4X14,4X2,7 IX
39	F01410050	ROS.M8 8,4X 17X1,6 U6592 IX	WASHER M8 8,4X 17X1,6 U6592 IX	RONDELLE M8 8,4X 17X1,6 IX	SCHEIBE M8 8,4X 17X1,6 IX	ARANDELA M8 8,4X 17X1,6 IX
40	U04150083	COLLET.M/F ATT.FORC.T7	/	/	/	/
41	F12047008	RACCOR FORCHM ATT F T7G11/2	/	/	/	/
42	F12034519	RACC PG C XGIRELLO40 G11/2	90° HOSE FITT FLY-NUT G11/2	/	/	/
43	F12034515	RACC PG C XGIRELLO30 G11/2	90° HOSE FITT FLY-NUT30 G1 1/2	90° PORTE-JOINT ECROU30 G1 1/2	GEBOG.SCHLAUCHAN.UBERWU.G1 1/2	RAC.PORTAMAN CURVO TUERC.G11/2
44	F12018010	RID FM G11/2 G1	/	/	/	/
45	F01020194	VITE M 8X1,25X 90 U5737 A2IX	/	/	/	/
46	F01420047	ROS.M8 8,4X 24X 2 U6593 IX	WASHER M8 8,4X24X2 U6593 IX	RONDELLE M8 8,4X24X2 U6593 IX	SCHEIBE M8 8,4X24X2 U6593 IX	ARANDELA M8 8,4X24X2 U6593 IX
47	F01230032	DADO M 8X1,25 D982 A2 IX	NUT M8X1,25 D982 A2IX	ECROU M 8X1,25 D982 A2 IX	MUTTER M 8X1,25 D982 A2 IX	TUERCA M 8X1,25 D982 A2 IX

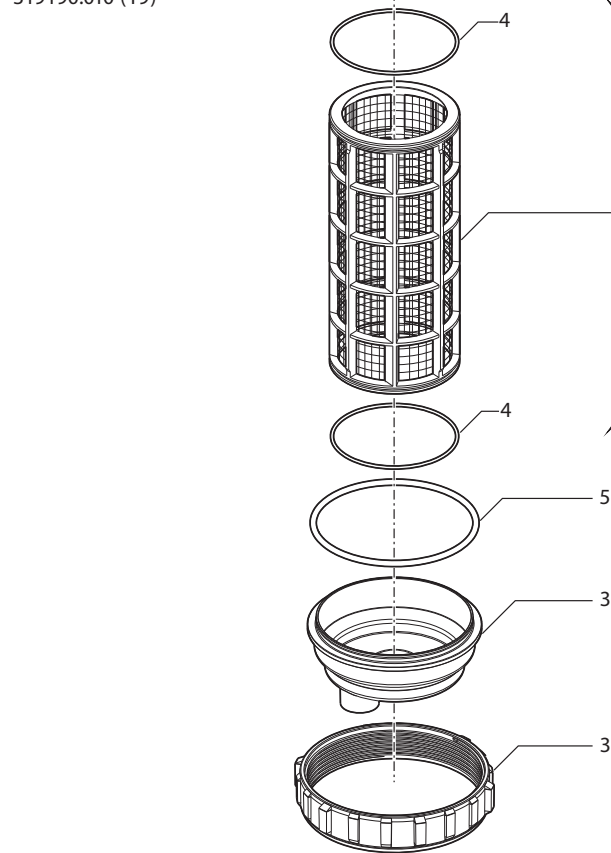
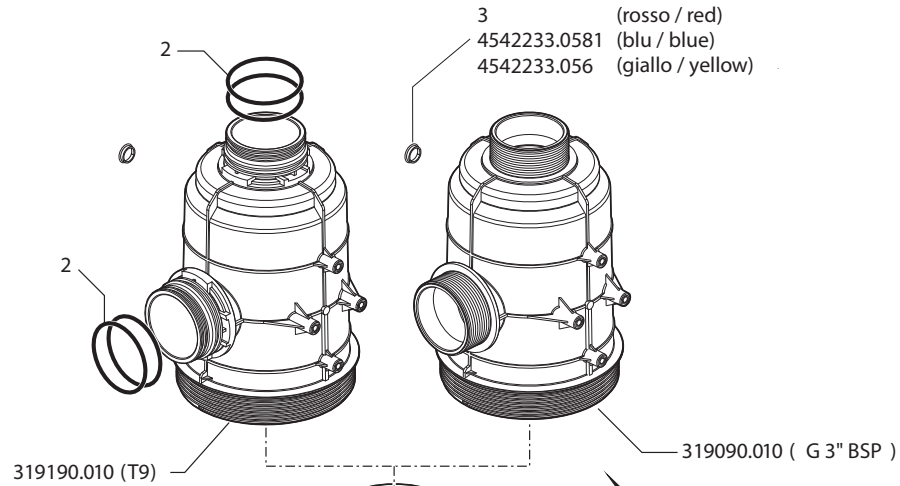


**Collegamenti regolatore di pressione / Connections pressure regulator**

TAV. 170

Pos.	Cod.	Descrizione	Description	Description	Benennung	Descripcion
48	U10030091	FASC.INOX W4 16X27 BANDA 12	FASCETTA INOX W4 16X27 BANDA 1	/	/	/
49	U32040030	TGM IVG \$19X32 25BAR	TGM IVG \$19X32 25BAR	/	/	/
50	F03010528	ANEL. OR 39,34X2,62 NBR	O.R. GASKET 39,34X2,62 NBR	JOINTS 39,34X2,62 NBR	DICHTUNG 39,34X2,62 NBR	JUNTA 39,34X2,62 NBR
51	U36000181	VALVOLA DI FONDO 1"1/2 F-F	BOTTOM VALVE 1"1/2 F-F	/	/	/
52	F12011005	NIPPLO SIMM G11/2	NIPPLE SIMM G11/2	JUNCTION SYMETRIQUE G11/2	SYMMETRISH NIPPEL G11/2	UNION SIMETRICO G11/2
54	F12026004	GIRELLO G3/4	FLY-NUT G3/4	ECROU G3/4	UBERWURFMUTTER G3/4	TUERCA G3/4
55	F12014010	RID MM G1 1/2 G1 1/4	RIDUCTION MM G1 1/2 - G1 1/4	REDUCTION MM G1 1/2 - G1 1/4	REDUZIERTS.AUSSGEW.G11/2-G11/4	REDUCCION MM G1 1/2 - G1 1/4
56	F12012006	MANICOTTO F/F G11/2	THREADED COUPLING F/F G11/2	MANCHON F/F G11/2	MUFFE F/F G11/2	MANGUITO F/F G11/2
57	F12031503	RACC PG DF 19 G11/4	/	/	/	/
59	F03010373	ANEL. OR 13,10X2,62 NBR	O.R.GASKET 13,10X2,62 NBR	JOINT 13,10X2,62 NBR	DICHTUNG 13,10X2,62 NBR	JUNTA 13,10X2,62 NBR
60	F03010463	ANEL. OR 25,07X2,62 NBR	O.R.GASKET 25,07X2,62 NBR	JOINT 25,07X2,62 NBR	DICHTUNG 25,07X2,62 NBR	JUNTA 25,07X2,62 NBR
61	F12024503	RACC A T F G3/4G3/4	TEE FITTING F G3/4	"TE" FEMELLE G3/4	T STUCK MIT INNENGEWINDE G3/4	RACOR "T" HEMBRA G3/4
62	F12034008	RACC PG DXGIRELLO20 G1	HOSE FITT FLY-NUT20 G1	RAC.PORTE-JOINT ECROU 20 G1	GERAD.SCHLAUCHAN.UBERWURFMU.G1	RACOR PORTAMANG. TUERCA 20 G1
63	F12031014	RACC PGD M 20X22X71 G3/4	FITT PGD M 20X22X71 G3/4	RACC. PORTE-JOINT DROIT M G3/4	GERADE SCHALUCHANSC.AUSSG G3/4	RACOR PORTAMANG RECTO M G3/4
64	U28260082	RUB.SFERA 5VIE 1"1/2 FMM 1"1/2	/	/	/	/
66	U32040030	TGM IVG \$19X32 25BAR	TGM IVG \$19X32 25BAR	/	/	/
67	U32040169	TGM VAC S.EL.\$30X40 SPR.16BAR	TGM VACUPR S.EL.\$30X40 SPIRAL	/	/	/
68	U32040170	TGM VAC S.EL.\$40X53 SPR.14BAR	TGM VAC S.EL.\$40X53 SPR.14BAR	/	/	/
69	F12034505	RACC PG C XGIRELLO20 G3/4	90°HOSE FITT FLY-NUT20 G3/4	RACOR PORTE-JOINT ECROU20 G3/4	GEBOG.SCHLAUCHAN.UBERWURF.G3/4	RACOR PORTAMAN 90°TUERCA2 G3/4
71	U18160079	MANOMETRO \$100 0.8.25 ISOM ATT RAD	PRESS.GAUGE D100 0.8.25 ISOM	/	/	/
72	USP000418	SUPPORTO MANOMETRO \$100 A DISTANZA	/	/	/	/
73	U28030397	RACCORDO DRITTO F-F 1/4"OT NICH.	RAC.DRIT.F-F 1/4"OT NICH.	/	/	/
74	U28030398	RACC.RAPIDO 1/4"OT TUBO \$4X2 AIR	RACC.RAPIDO 1/4"OT TUBO \$4X2	/	/	/
75	U32040154	TUBO RILSAN PA11 \$4X2 NEUTRO	TUBO RILSAN PA11 \$4X2 NEUTRO	/	/	/
76	F01410050	ROS.M8 8,4X 17X1,6 U6592 IX	WASHER M8 8,4X 17X1,6 U6592 IX	RONDELLE M8 8,4X 17X1,6 IX	SCHEIBE M8 8,4X 17X1,6 IX	ARANDELA M8 8,4X 17X1,6 IX
77	F01230032	DADO M 8X1,25 D982 A2 IX	NUT M8X1,25 D982 A2 IX	ECROU M 8X1,25 D982 A2 IX	MUTTER M 8X1,25 D982 A2 IX	TUERCA M 8X1,25 D982 A2 IX
78	UA7000656	VALVOLA SEZIONE 12V 20BAR NRG011	/	/	/	/
79	U28030049	RACC.PGM 13MM DPR-RPV-RPN VERS.2002	RAC.PGM 13MM DPR-RPV-RPN	/	/	/
80	U10090033	FLANGIA FEMMINA PORTAMANOMETRO NRG	FLAN.FEMM.PORTAMANOM.NRG	/	/	/
81	UA7000690	KIT 5 COLLETTORI RIT COMP X REMO	/	/	/	/
82	U10090026	FLANGIA MASCHIO G 1"1/2 NRG	FLANGIA MASCHIO G 1"1/2 NRG	/	/	/
83	F01020443	VIT.M 8X1,25X 25 U5739 A2 IX	SCR. M8X1,25X25 U5739 A2 IX	VIS M8X1,25X25 U5739 A2 IX	SCHRAUBE M8X1,25X25 5739 A2 IX	TORNILLO M8X1,25X25 5739 A2 IX
84	UA7000748	CARTUCCIA 54X210 32M ROSSO	/	/	/	/
84	UA7000089	CARTUCCIA 54X210 50M BLU	/	/	/	/
84	U10020042	CARTUCCIA 54X210 80M GIALLO	/	/	/	/
84	UA7000749	CARTUCCIA 54X210 100M VERDE	/	/	/	/

319092  
 319093  
 3190935  
 3190H2  
 3190H3  
 3190H35



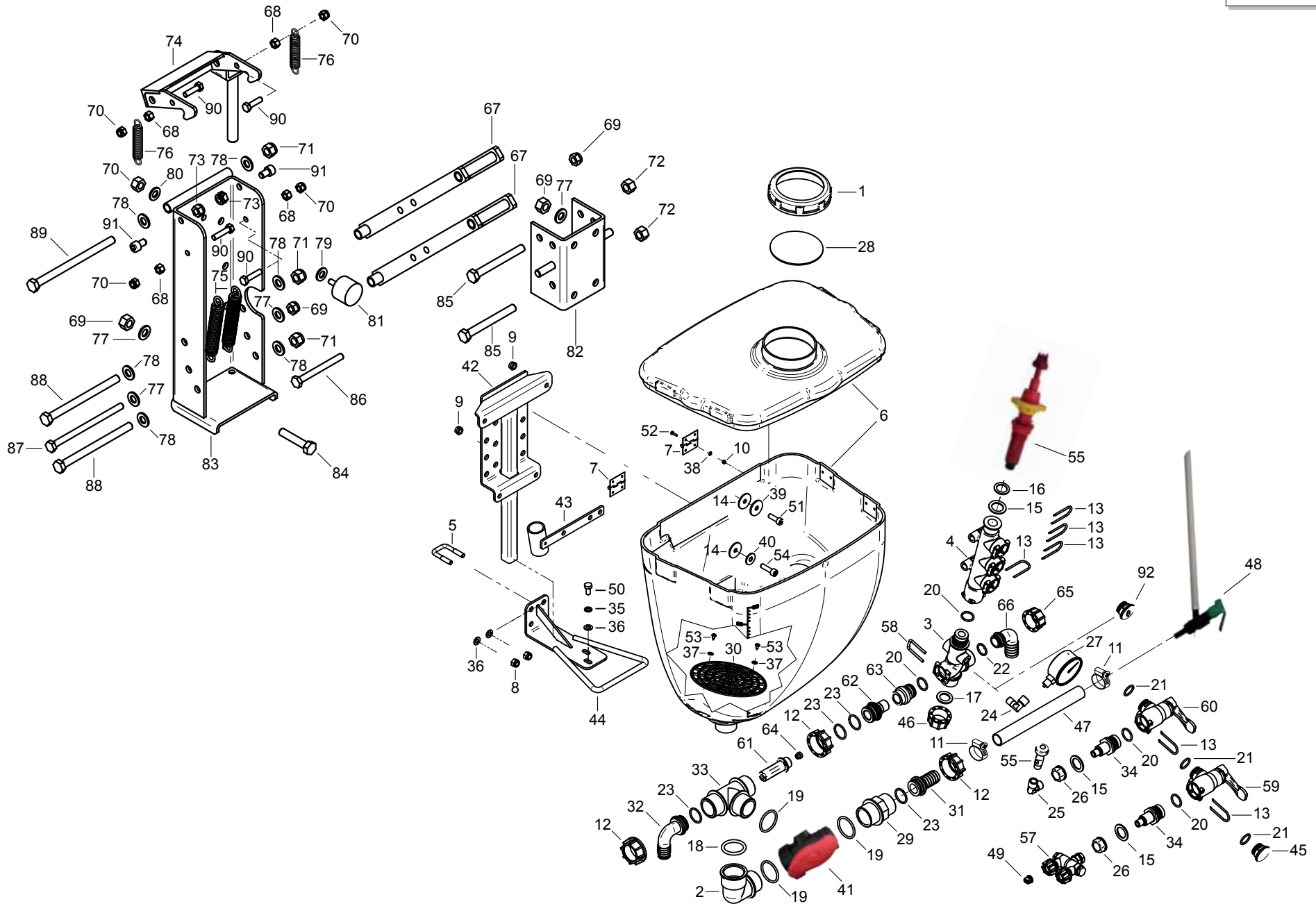
Vecchio colore Old colour	MESH	Nuovo colore New colour ISO 19732	codice / code
bianco / white	32	rosso / red	6
blu / blue	50	blu / blue	7
grigio / grey	80	giallo / yellow	8



**Filtro aspirazione / Suction filter**

**TAV. 180**

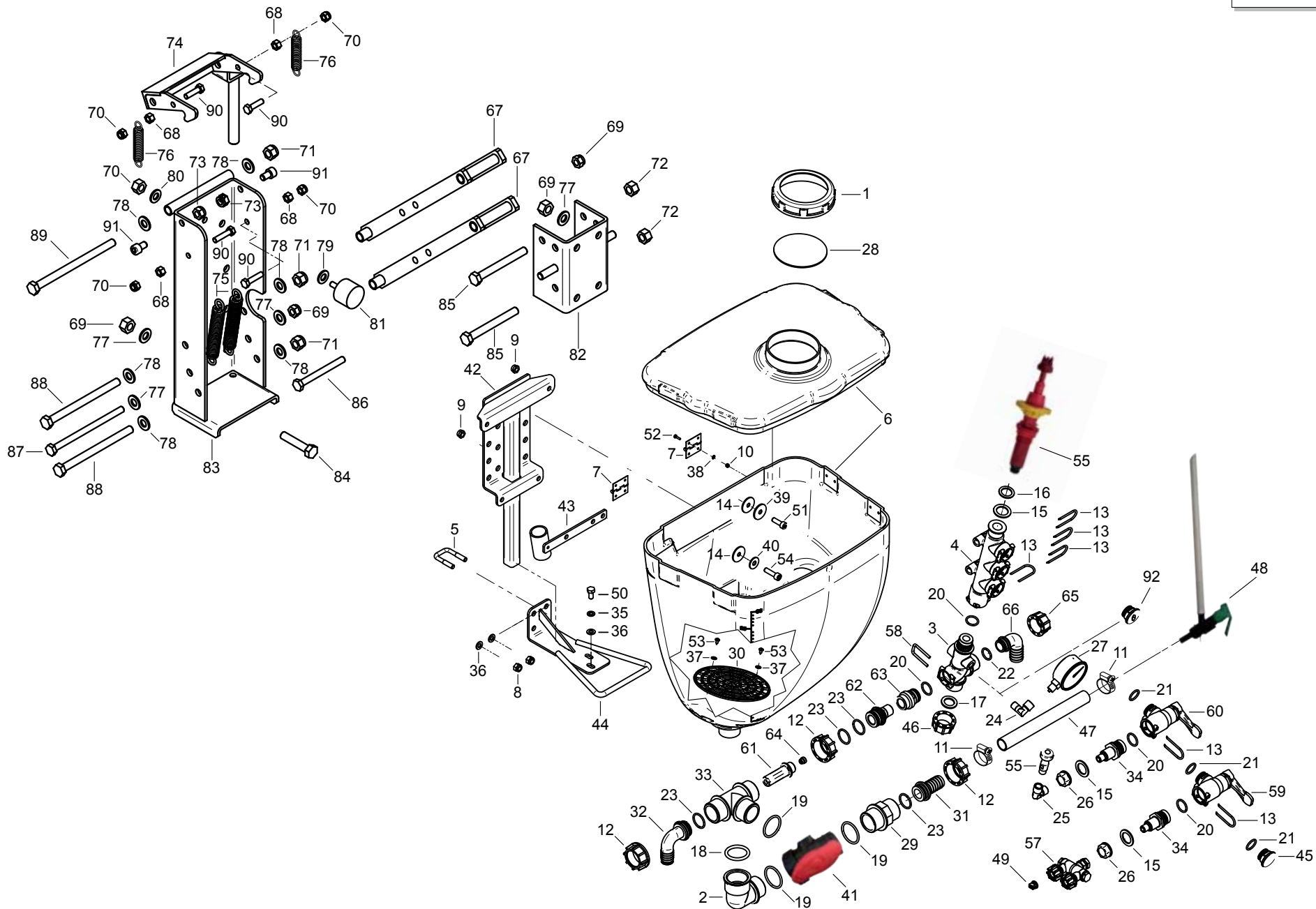
Pos.	Cod.	Descrizione	Description	Description	Benennung	Descripcion
1	F12041502	FILTRO ASPIR FORCHET T9CM464	/	/	/	/
2	F12081535	OR 3,53X82,14 OR4325 VITON	FLAT GASKET G3/4	JOINT PLAT G 3/4	FLASCHE DICHTUNG G3/4	JUNTA PLATA G3/4
3	U32020008	TAPPO X LEVE DA 1/2" A 1"1/2 ROSSO	/	/	/	/
4	U10020043	GU.OR \$143X3,5 CARTUCCIA FILTRO	GUOR \$143X3,5 CART.FILT.	/	/	/
5	F12130021	OR 6,99X174,60 EPDM FILTRO SERIE319	OR FILTER ASP.319	/	/	/
6	U10020060	CARTUCCIA 145X320 32M ROSSO	/	/	/	/
7	UA0200403	CARTUCCIA 145X320 50M BLU	/	/	/	/
8	UA0201205	CARTUCCIA 145X320 80M GIALLO	/	/	/	/



## Greenmix T30 / Greenmix T30

TAV. 190

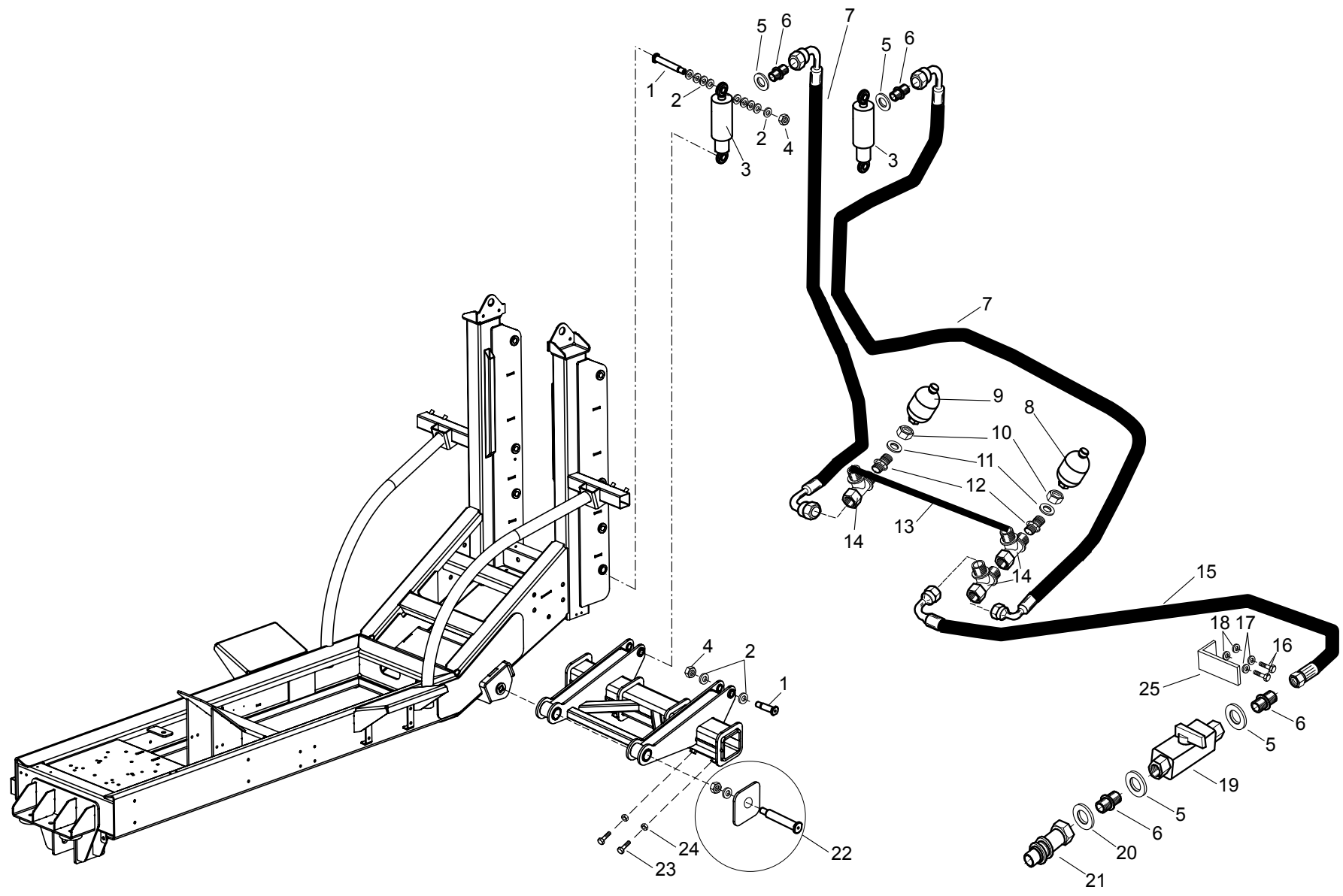
Pos.	Cod.	Descrizione	Description	Description	Benennung	Descripcion
1	U04020129	COPERCHIO \$122 PREMIX	/	/	/	/
2	U04120027	RACCORDO CURVO G1"1/4M-G1"1/4F	90° FITT G1 1/4 M - G1 1/4 F	/	/	/
3	U04150099	COLLETTORE INGRESSO MIXER 2012	COLLECTOR INPUT MIXER 2012	/	/	/
4	U04150100	COLLETTORE PORTARUBINETTI MIXER2012	MANIFOLD VALVE DOOR	/	/	/
5	U04180143	CAVALLOTTO M8 X QUADRO 25X25	CAV.Q.B=25 M8X1,25 L=48 GEOMET	/	/	/
6	USP000158	CIST.PREMIX 30 C/FILETTO GRIGIA	TANK PREMIX 30 C GRAY THREAD	/	/	/
6	U04610892	CIST.PREMIX 30 C/FILETTO BIANC	/	/	/	/
7	U05000020	CERNIERA INOX 40X40 FORI 3,5MM	CERNIERA INOX 40X40 FORI 3,5MM	/	/	/
8	F01230032	DADO M 8X1,25 D982 A2 IX	NUT M8X1,25 D982 A2IX	ECROU M 8X1,25 D982 A2 IX	MUTTER M 8X1,25 D982 A2 IX	TUERCA M 8X1,25 D982 A2 IX
9	F01230308	DADO M 8X1,25 UNI7474 A2 IX	NUT M18X 2,5 UNI7474 A2 IX	/	/	/
10	F01230297	DADO M 3X 0,5 U7473 A2IX	NUT	/	/	/
11	U10030071	FASCETTA INOX W4 25X40 BANDA 12	FASCETTA INOX W4 25X40 BANDA 1	/	/	/
12	F12026006	GIRELLO G1 1/4	FLY-NUT G1 1/4	ECROU G1 1/4	UBERWURFMUTTER G1 1/4	TUERCA G1 1/4
13	U12020028	GANCIO PER RPG	GANCIO X RPG	/	/	/
14	U12090022	GU NOR \$8X32X2 GO AAC	GASKET D8X32X2 GO AAC	/	/	/
15	U12090064	GUAR.PIANA 1/2" \$21X32X2	PLAT GASKET 1/2 D21X32X2	/	/	/
16	U12090101	GUARN.PIANA \$21X30X2 NY G00002041	GUARN.PIANA\$21X30X2 NY	/	/	/
17	U12090108	GUAR.PIANA \$20X30,7X2,5 EPDM	FLAT GASKET \$20X30,7X2,5 EPDM	/	/	/
18	U12100027	GUOR \$37,47X5,34X48,15	GASKET D37,47X5,34X48,15	/	/	/
19	F12081528	GUARNIZIONE PIANA G1 1/4"	GASKET G1 1/4 "	JOINT G1 1/4	DICTUNGSRING G1 1/4	JUNTA G1 1/4
20	U12100047	GUOR \$22,22X2,62X27,46 VITON	GUOR \$22,22X2,62X27,46 VITON	/	/	/
21	U12100048	GUOR \$20,24X2,62X25,48 VITON	GUOR \$20,24X2,62X25,48 VITON	/	/	/
22	U12100064	GUOR \$20,24X2,62X25,48 G.NIT.	GASKET D20,24X2,62X25,48 G.NIT	/	/	/
23	F03010972	ANEL. OR 2,62X26,65	O.R. GASKET 2,62X26,65	/	/	/
24	USP000579	GOMITO 90° M/F 1/4"G OTTONE NICHEL.	/	/	/	/
25	U12110019	GOMITO 90° F/F 1/4"G OTTONE NICHEL.	GOMITO 90° F/F 1/4"G INOX	/	/	/
26	F12026502	GHIERA G1/2	LOCK-RING G1/2	RONDELLE FILETEE G1/2	KONTERMUTTER G1/2	TUERCA G1/2
27	U18160032	MANOMETRO ABS 0-40 20BAR RADIALE WK	MANOMETRO ABS 0-40 20BAR RADIA	/	/	/
28	U18460078	VETRINO \$103 PER VISORE PREMIX 40LT	/	/	/	/
29	F12011012	NIPPO PASS G11/4	NIPPLE G11/4	/	/	UNION SIMETR.PASAPARED G11/4
30	U24160173	PROTEZIONE ASPIRAZIONE PREMIX	PROTEZIONE ASPIRAZIONE PREMIX	/	/	/
31	F12034012	RACC PG DXGIRELLO25 G1 1/4	STRAIG.HOSE-FITT.FLY-NUT G11/4	RAC.PORTE-JOINT D.ECROU25G11/4	GERAD.SCHLAUCHAN.UBERWUR.G11/4	RAC.PORTAMAN.TUERCA G1 1/4
32	F12034511	RACC PG C XGIRELLO30 G11/4	90°HOSE FITT FLY-NUT30 G1 1/4	90°PORTE-JOINT ECROU30 G1 1/4	GEBOG.SCHLAUCHAN.UBERWUR.G11/4	RAC.PORTAMAN.TUERCA CURVO G11/4
33	U28030377	RACC A T G1"1/4M-M-M NYLON	"T" FITT G1"1/4M-M-M NYLON	/	/	/
34	U28030485	RACCORDO BAIONETTA 1/2M-1/4M PREMIX	BAYONET FITT 1/2M-1/4M PREMIX	/	/	/
35	U28080012	ROSETTA 8 UNI1751 GEOMET	ROSETTA A 8 UNI1751 GEOMET	/	/	/
36	F01410050	ROS.M8 8,4X 17X1,6 U6592 IX	WASHER M8 8,4X 17X1,6 U6592 IX	RONDELLE M8 8,4X 17X1,6 IX	SCHEIBE M8 8,4X 17X1,6 IX	ARANDELA M8 8,4X 17X1,6 IX
37	F01410022	ROS.M5 5,3X 10X 1 U6592 IX	WASHER M5 5,3X10X 1 U6592 IX	/	/	/
38	U28110089	RT \$3,2X7X0,5 UNI6592 INOX A2 X VTE	/	/	/	/
39	F01430151	ROS.M8 8,4X 32X 2 U6593 IX	/	/	/	/
40	F01420047	ROS.M8 8,4X 24X 2 U6593 IX	WASHER M8 8,4X24X2 U6593 IX	RONDELLE M8 8,4X24X2 U6593 IX	SCHEIBE M8 8,4X24X2 U6593 IX	ARANDELA M8 8,4X24X2 U6593 IX
41	U28260087	VALV.SFERA 3V 1"1/4 (ARAG)	/	/	/	/
42	U30021074	SUPPORTO GREENMIX 30L	/	/	/	/
43	U30021084	SUPPORTO LP83 GREENMIX T-30	/	/	/	/
44	USP000480	SQUADRA FIX DEVIATORE PREMIX 30L	FIX DEVIAT.PREMIX 30L	/	/	/
45	U32020074	TAPPO X CHIUSURA ATT.RUBINETTI DPR	TAPPO X CHIUS.ATT.RUBINETTI DP	/	/	/
46	U32020114	TAPPO NY 1" FEMMINA	TAPPO NY 1" FEMM.	/	/	/
47	U32040054	TUBO ARMORVIN \$25X34	ARMORVIN PIPE \$25X34	/	/	/
48	U50301259	K.LP83+RUB.GREENMIX T-30	/	/	/	/
49	U34000417	UGELLO BIANCO 110-08 PLASTICA ISO	UGELLO BIANCO 110-08 PLASTICA	/	/	/
50	F01020434	VIT.M 8X1,25X 16 U5739 A2 IX	SCR. M8X1,25X16 U5739 A2IX	VIS M 8X1,25X 16 U5739 8.8 IX	SCHRAUBE M 8X1,25X 16 U5739 8.	TORNIL. M 8X1,25X 16 U5739 8.8
51	F01040094	VITE M 8X1,25X 25 U5931 A2 IX	SCR. M8X1,25X25 U5931 A2IX	VIS M 8X1,25X 25 U5931 IX A2	SCHRAUBE M 8X1,25X 25 U5931 IX	TORNIL. M 8X1,25X 25 U5931 IX
52	U36190016	VTCI CROCE M3X12 UNI7687 INOX A2	/	/	/	/
53	F01070080	VITA.4,2X1,41X 9,5 6954 A2 IX	BOLT A4,2X1,41X9,5 U6954 A2 IX	/	/	/
54	F01040082	VITE M 8X1,25X 35 U5931 A2IX	SCREW M8X1,25X 35 U5931 A2IX	/	/	/
55	U12240350	GETTO LAVACONT.+VALV.G 1/2"M	/	/	/	/



## Greenmix T30 / Greenmix T30

TAV. 190

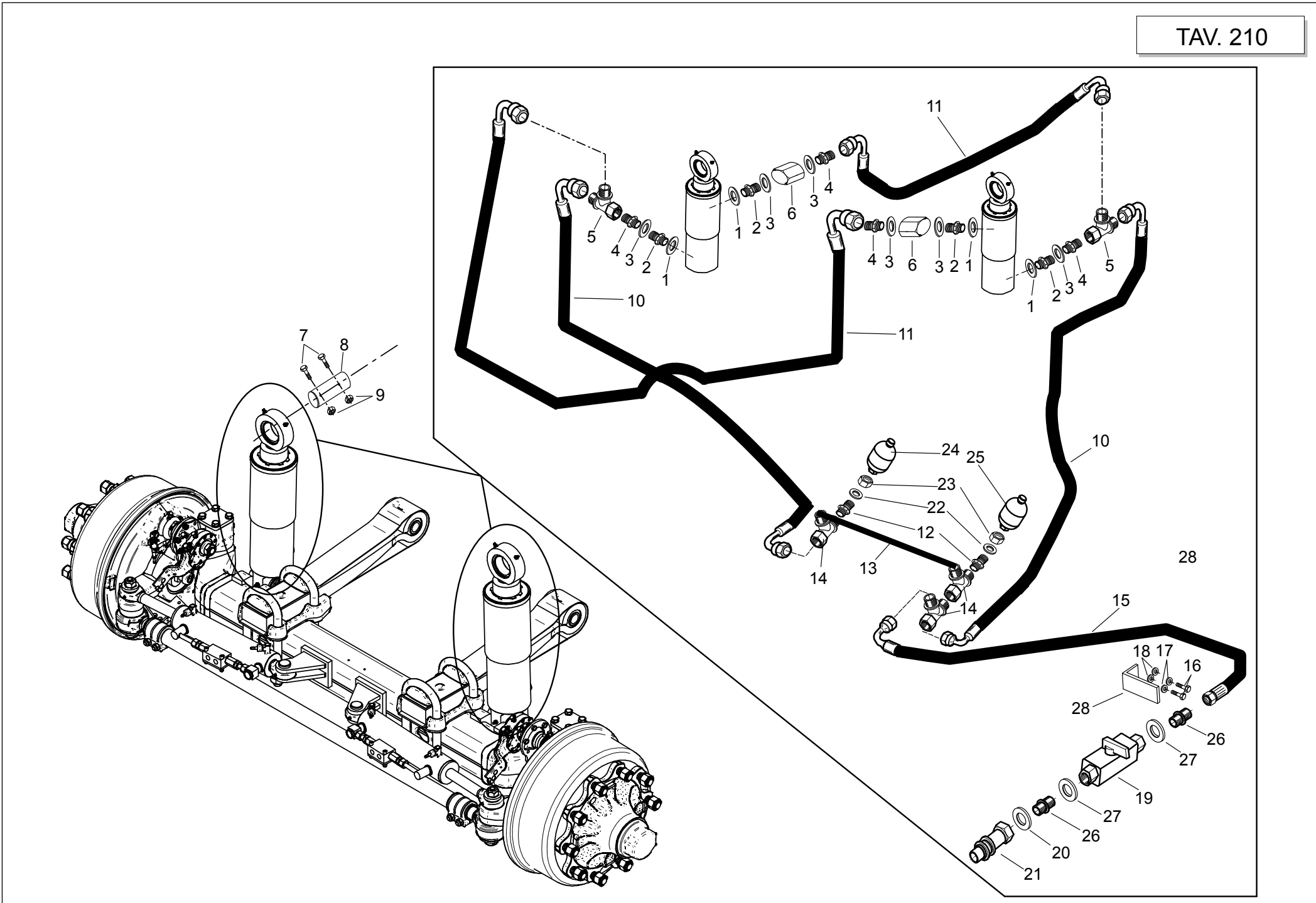
Pos.	Cod.	Descrizione	Description	Description	Benennung	Descripcion
57	U12240034	PORTAUGELLO SNODATO DOPPIO 1/4F	NOZZLE HOLDER DOUB. JOINTED 1/4F	/	/	/
58	U10010010	FORCELLA INOX	FORK STAINLESS STEEL	/	/	/
59	U12140006	K.RUBINETTO MAN.ON/OFF ROSSO S/RACC	VALVE KIT MANUAL ON / OFF RED	/	/	/
60	U12140007	K.RUBINETTO MAN.ON/OFF BLU S/RACC.	VALVE KIT MANUAL ON / OFF BLUE	/	/	/
61	U12240032	PORTAUGELLO D.9 X RACC.MIXER	NOZZLE HOL. D.9 X RACC.MIXER	/	/	/
62	U28000015	RACC.PORTAUGELLO DRITTO AG.ISPEZ.	NOZZLE STRAIGHT FITTING INSPEC	/	/	/
63	U28030516	RACC.FILETTATO G1/2" F INOX 304	THREADED CONNECTION G1/2" F IX	/	/	/
64	U34000046	UGELLO INOX \$5 PER MIXER	NOZZLE STEEL MIXER \$ 5	/	/	/
64	U34000047	UGELLO INOX \$7 PER MIXER	NOZZLE STEEL MIXER \$ 7	/	/	/
65	F12026005	GIRELLO G1	FLY-NUT G1	ECROU G1	UBERWURFMUTTER G1	TUERCA G1
66	F12034508	RACC PG C XGIRELLO25 G1	90°HOSE TAIL FLAT FLY-NUT25 G1	COUDE PORTE-JOINT ECROU 25 G1	GEBOG.SCHLAUCHAN.UBERWURF25 G1	RACOR PORTAMAN 90°TUERCA25 G1
67	U02050058	BIELLA PARALLELOGRAMMA PREMIX 2008	/	/	/	/
68	F01200245	DADO M 8X1,25 U5588 A2 IX	NUT M8X1,25 U5588 A2IX	ECROU M 8X1,25 U5588 A2 IX	MUTTER M 8X1,25 U5588 A2 IX	TUERCA M 8X1,25 U5588 A2 IX
69	F01230047	DADO M10X1,5 D982 A2IX	NUT M10X1,5 D982 A2IX	ECROU M10X 1,5 D982 A2 IX	MUTTER M10X 1,5 D982 A2 IX	TUERCA M10X 1,5 D982 A2 IX
70	F01230032	DADO M 8X1,25 D982 A2 IX	NUT M8X1,25 D982 A2IX	ECROU M 8X1,25 D982 A2 IX	MUTTER M 8X1,25 D982 A2 IX	TUERCA M 8X1,25 D982 A2 IX
71	F01230061	DADO M12X1,75 D982 A2 IX	NUT M12X1,75 D982 A2IX	/	/	/
72	F01220049	DADO M12X1,75H10.6AUBL.TRIL.ZN	NUT	/	/	/
73	F01230310	DADO M10X1,5 UNI7474 A2IX	NUT	/	/	/
74	U12020069	GANCIO BLOCCAGGIO PRLG PREMIX 2008	/	/	/	/
75	U18020093	MOLLA X BD NOVA 10-12 BR.TERMINALE	SPRING X BD NOVA 10-12 BR.TER.	/	/	/
76	U18020126	MOLLA PIEDE STAZ	/	/	/	/
77	F01410501	ROS.M10 10,5X 20X 2 U6592 IX	ROS.M10 10,5X 20X 2 U6592 IX	/	/	/
78	U28110070	RT \$13X24X2,5 UNI6592 100HV GEOMET	RT \$13X24X2,5 UNI6592 100HV GE	/	/	/
79	F01410050	ROS.M8 8,4X 17X1,6 U6592 IX	WASHER M8 8,4X 17X1,6 U6592 IX	RONDELLE M8 8,4X 17X1,6 IX	SCHEIBE M8 8,4X 17X1,6 IX	ARANDELA M8 8,4X 17X1,6 IX
80	F01420047	ROS.M8 8,4X 24X 2 U6593 IX	WASHER M8 8,4X24X2 U6593 IX	RONDELLE M8 8,4X24X2 U6593 IX	SCHEIBE M8 8,4X24X2 U6593 IX	ARANDELA M8 8,4X24X2 U6593 IX
81	U30020384	ANTIVIBR. M8X23 M \$40X27 60SH	ANTI-VIBR. M8X23 M \$40X27 60SH	/	/	/
82	U30020948	SUPPORTO MOBILE PRLG PREMIX 2008	/	/	/	/
83	U30020949	SUPPORTO FISSO PRLG PREMIX 2008	/	/	/	/
84	F01020499	VITE M10X1,5 X 30 U5739 8.8GE	SCREW M10X1,5X 30 U5739 8.8GE	/	/	/
85	F01021024	VITE M12X1,75X110 U5737 8.8GE	BOLT M12X1,75X110 U5737 8.8GE	/	/	/
86	F01021036	VITE M10X1,5 X100 U5737 8.8GE	BOLT	/	/	/
87	F01021036	VITE M10X1,5 X100 U5737 8.8GE	BOLT	/	/	/
88	F01021035	VITE M12X1,75X160 U5737 8.8GE	BOLT	/	/	/
89	F01021034	VITE M12X1,75X180 U5737 8.8GE	BOLT	/	/	/
90	F01020639	VITE M 8X1,25X 30 U5739 A2IX	SCR. M8X1,25X30 U5739 A2IX	VIS M8X1,25X 30 U5739 A2 IX	SCHARAUPE M8X1,25X30 U5739A2IX	TORNIL.M8X1,25X30 U5739 A2 IX
91	F01040115	VITE M10X1,5 X 16 U5931 8.8GE	SCREW M10X1,5X16 U5931 8.8GE	/	/	/
92	U32020125	TAPPO FILETTATO 1/4M OTTONE	TAPPO FILETTATO 1/4" M OTT.TEI	/	/	/



**Collegamenti sospensioni assale non sterzante / Non-steer axle connections suspension**

TAV. 200

Pos.	Cod.	Descrizione	Description	Description	Benennung	Descripcion
1	U36070389	VTE M30X180 UNI5737 8.8 GE	/	/	/	/
2	F01410167	ROS.M30 31X 56X 4 U6592 IX	/	/	/	/
3	U04410109	CIL.IDR.TUFFANTE ST.60 A.7	/	/	/	/
4	U06040137	DEB M30X3.5 UNI7474 6S GE	DEB M30X3.5 UNI7474 6S GE	/	/	/
5	F03020070	RONDELLA BONDED AUTOCENT 3/8	BONDED WASHER 3/8"	/	/	/
6	F03150222	NIPPLO MM CIL-CIL 1/2-3/8 ZG	NIPPLE M-M CYL-CYL 1/2-3/8 ZN	NIPPLE H-H CIL-CIL 1/2-3/8 ZN	NIPPEL M-M CIL-CIL 1/2-3/8 ZN	NIPLE H-H CIL-CIL 1/2-3/8 ZN
7	U33011105	K.T. IDR.1/2" MT0,65 F90	/	/	/	/
8	U18460168	ACCUMUL.IDROP.0,75LT 100B AZOT	/	/	/	/
9	U18460090	ACCUMUL.IDROP.0,75LT 40B AZOT	ACCUM.IDROPN.0,75LT 40B AZOTO	/	/	/
10	U06000053	DADO ES G1/2"X8X30 OT59	/	/	/	/
11	U28070022	ROS.SPEC \$21X40X3,5 OTT	ROS.SPEC \$21X40X3,5 OTT	/	/	/
12	U20000085	NIPPLO 1/2-1/2 PASSAP.OLEOD	/	/	/	/
13	U33011106	K.T. IDR.1/2" MT0,25 F90	/	/	/	/
14	U28030367	RACC.OLIO A "T" M-M-F GIRE	/	/	/	/
15	U33011092	K.T. IDR.3/8" MT3,6 F90+	/	/	/	/
16	F01020457	VIT.M 8X1,25X 20 U5739 A2 IX	SCR. M8X1,25X20 U5739 A2IX	VIS M8 X1,25X20 U5739 A2 IX	SCHRAUBE M8X1,25X20 U5739 A2IX	TORNILLO M8X1,25X20 U5739 A2IX
17	F01410050	ROS.M8 8,4X 17X1,6 U6592 IX	WASHER M8 8,4X 17X1,6 U6592 IX	RONDELLE M8 8,4X 17X1,6 IX	SCHEIBE M8 8,4X 17X1,6 IX	ARANDELA M8 8,4X 17X1,6 IX
18	F01480034	ROS.G 8,1X 12,7X2 D7980 IX	/	/	/	/
19	U28260050	RUBINETTO OLEODIN. 3/8" RBS506	/	/	/	/
20	F03020103	RONDELLA BONDED AUTOCENT 1/2	BONDED WASHER 1/2"	/	/	/
21	U14070012	INNES.RAP.1/2MAS. ISO7241/1A	QUICK-CONNECTOR 1/2" M ISO724	/	/	/
22	U01990465	K.PERNO-DADO-RT-PIASTRA BP	/	/	/	/
23	F01021060	VITE M18X2,5 X 60 U5739 8.8GE	BOLT	/	/	/
24	U06040120	DEB M18X27X9 UNI5589 6S GEOMET	/	/	/	/
25	U30020651	SUPP.MANOM.\$100 A DISTANZA	/	/	/	/

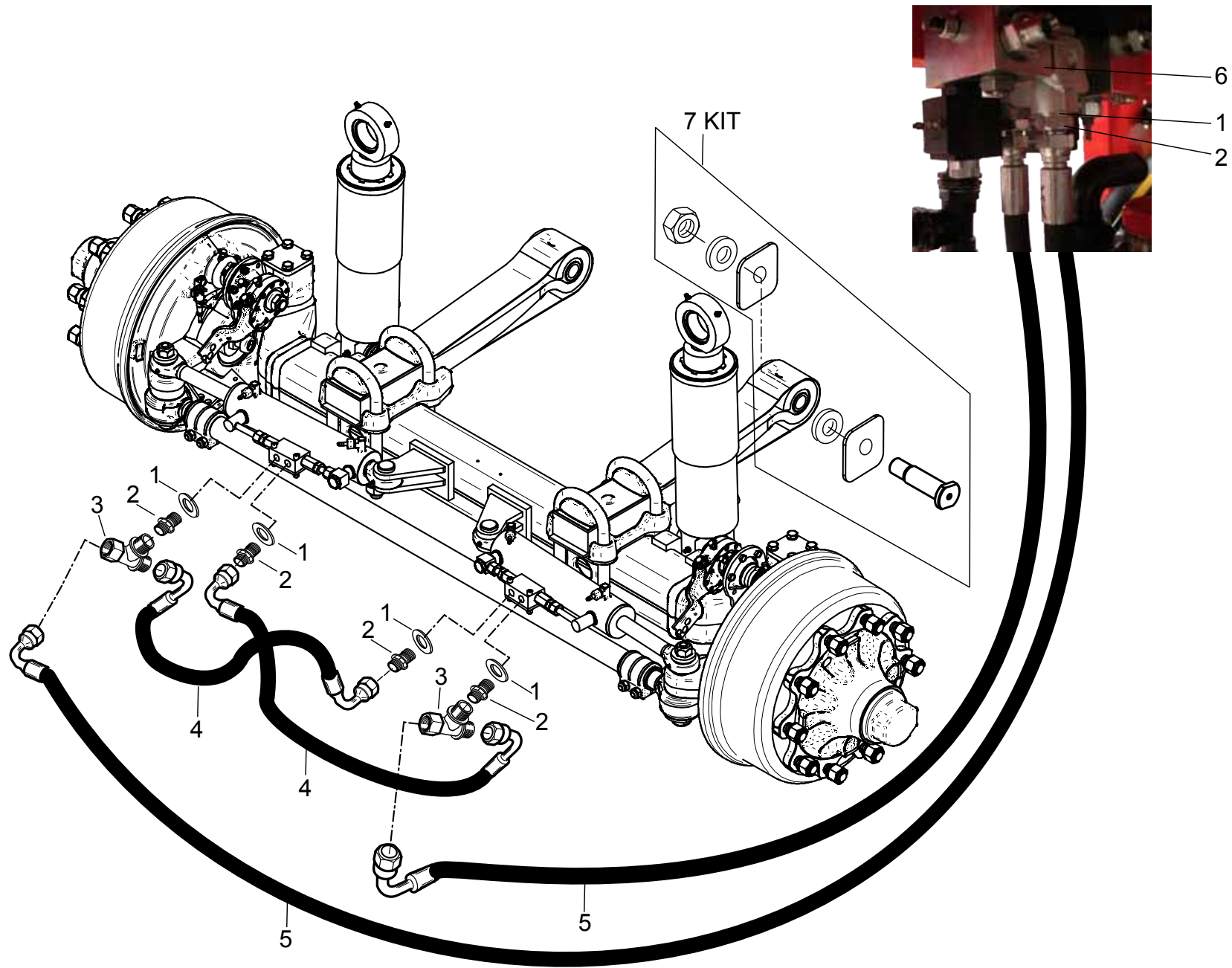




**Collegamenti sospensioni con assale sterzante / Steer axle connections suspension**

TAV. 210

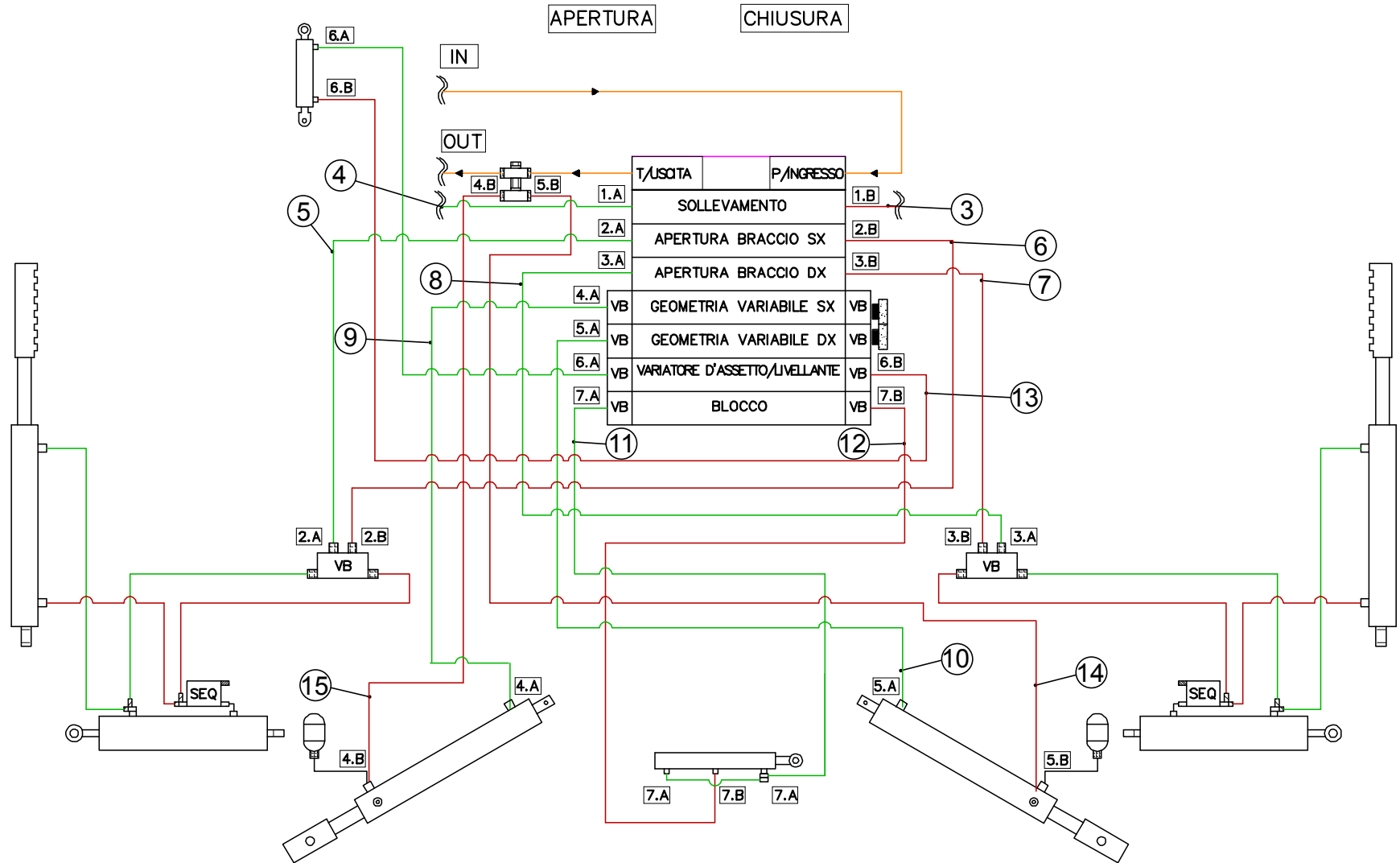
Pos.	Cod.	Descrizione	Description	Description	Benennung	Descripcion
1	F03020136	RONDELLA RAME M22	/	/	/	/
2	U28250083	RIDUZ.M/M 3/8"-M22X1,5	/	/	/	/
3	F03020070	RONDELLA BONDED AUTOCENT 3/8	BONDED WASHER 3/8"	/	/	/
4	U28250029	RIDUZ.M/F 1/2"-3/8"TR05080600	RIDUZ.M/F 1/2"-3/8"TR05080600	/	/	/
5	U28030367	RACC.OLIO A "T" M-M-F GIRE	/	/	/	/
6	F03020113	COLON.GA M/F EXTENTION3/8" L35	/	/	/	/
7	F01020107	VITE M10X1,5X65 U5737 8.8GE	/	/	/	/
8	U30050177	SPINA \$50 FIX SOSPENSIONI BPW	/	/	/	/
9	F01230047	DADO M10X1,5 D982 A2IX	NUT M10X1,5 D982 A2IX	ECROU M10X 1,5 D982 A2 IX	MUTTER M10X 1,5 D982 A2 IX	TUERCA M10X 1,5 D982 A2 IX
10	U33010867	K.T.SAE100 R2AT 1/2"FD-F90 ,8M	/	/	/	/
11	U33011236	K.T.SAE100 R2AT 1/2"FD-F90 L1,2M	/	/	/	/
12	U20000085	NIPPLO OLIO 1"-1" M-M	/	/	/	/
13	U33011106	K.TUBO IDR. 1/2" MT0,25 F90+F90	/	/	/	/
14	U28030367	RACC.OLIO A "T" M-M-F GIRE	/	/	/	/
15	U33011092	K.TUBO IDR.3/8" MT3,6 F90+FD	/	/	/	/
16	F01020457	VITE M8X1,25X20 U5739 A2IX	SCR. M8X1,25X20 U5739 A2IX	VIS M8 X1,25X20 U5739 A2 IX	SCHRAUBE M8X1,25X20 U5739 A2IX	TORNILLO M8X1,25X20 U5739 A2IX
17	F01410050	ROS.M8 8,4X 17X1,6 U6592 IX	WASHER M8 8,4X 17X1,6 U6592 IX	RONDELLE M8 8,4X 17X1,6 IX	SCHEIBE M8 8,4X 17X1,6 IX	ARANDELA M8 8,4X 17X1,6 IX
18	F01480034	ROS.G 8,1X 12,7X2 D7980 IX	/	/	/	/
19	U28260050	RUBINETTO OLEODIN. 3/8" RBS506	/	/	/	/
20	F03020103	RONDELLA BONDED AUTOCENT 1/2	BONDED WASHER 1/2"	/	/	/
21	U14070012	INNESTO RAP.1/2"MASCHIO ISO724	QUICK-CONNECTOR 1/2" M ISO724	/	/	/
22	U28070022	ROS.SPEC \$21X40X3,5 OTT	ROS.SPEC \$21X40X3,5 OTT	/	/	/
23	U06000053	DADO ES G1/2"X8X30 OT59	/	/	/	/
24	U18460090	ACCUM.IDROPN.0,75LT 40B AZOTO	ACCUM.IDROPN.0,75LT 40B AZOTO	/	/	/
25	U18460168	ACCUMUL.IDROP.0,75LT 100B AZOT	/	/	/	/
26	F03150222	NIPPLO MM CIL-CIL 1/2-3/8 ZG	NIPPLE M-M CYL-CYL 1/2-3/8 ZN	NIPPLE H-H CIL-CIL 1/2-3/8 ZN	NIPPEL M-M CIL-CIL 1/2-3/8 ZN	NIPLE H-H CIL-CIL 1/2-3/8 ZN
27	F03020070	RONDELLA BONDED AUTOCENT 3/8	BONDED WASHER 3/8"	/	/	/
28	U30020651	SUPP.MANOM.\$100 A DISTANZA	/	/	/	/



**Collegamenti assale sterzante / Steer axle connections**

TAV. 220

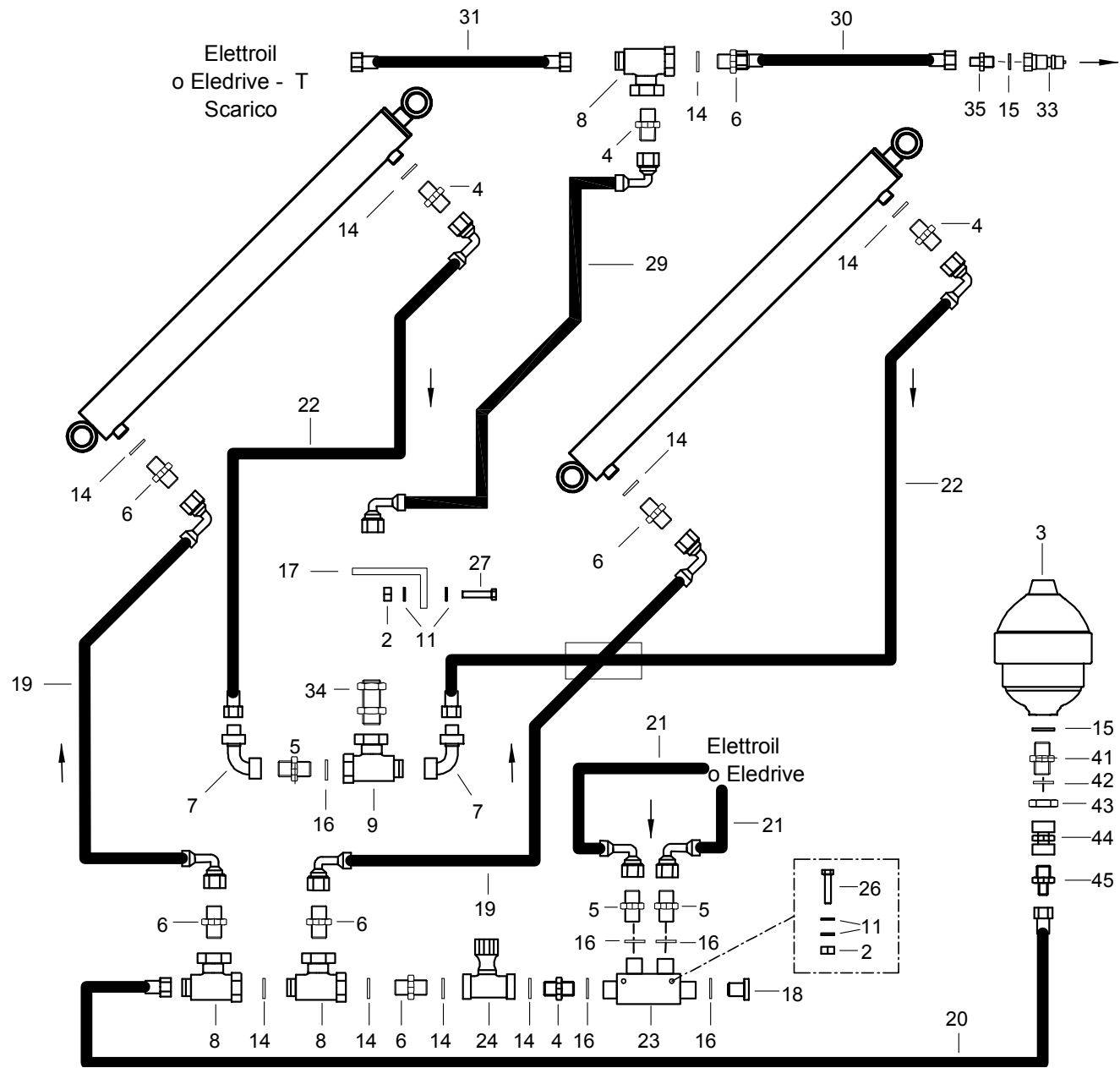
Pos.	Cod.	Descrizione	Description	Description	Benennung	Description
1	F03020070	RONDELLA BONDED AUTOCENT 3/8	BONDED WASHER 3/8"	/	/	/
2	F03150321	NIPPLO MM CIL-CIL 3/8-3/8 ZG	NIPPLE MM CIL-CIL 3/8-3/8 ZN	NIPPLE MM CIL-CIL 3/8-3/8 ZN	NIPPLEZYL MM 3/8-3/8 ZN	NIPPLE MM CIL-CIL 3/8-3/8 ZN
3	U28030246	RAC. OLIO "T" M-F-FGIR. 3/8" TIX506	OIL "T" FITT-F-FGIR. 3/8" TIX506	/	/	/
4	U33011235	K.TUBO IDR. 3/8" MT0,7 F90-F90	/	/	/	/
5	F03050913	TG 3/8 2SN FD 3/8 F90 3/8 4000	/	/	/	/
6	U06030089	TESTATA INGRES. LS+PROPORZ. 1EV	/	/	/	/
7	U01990465	K.PERNO-DADO-RT-PIASTRA BP	/	/	/	/



**Oildrive 7 50/50 / Oildrive 7 50/50**

TAV. 230

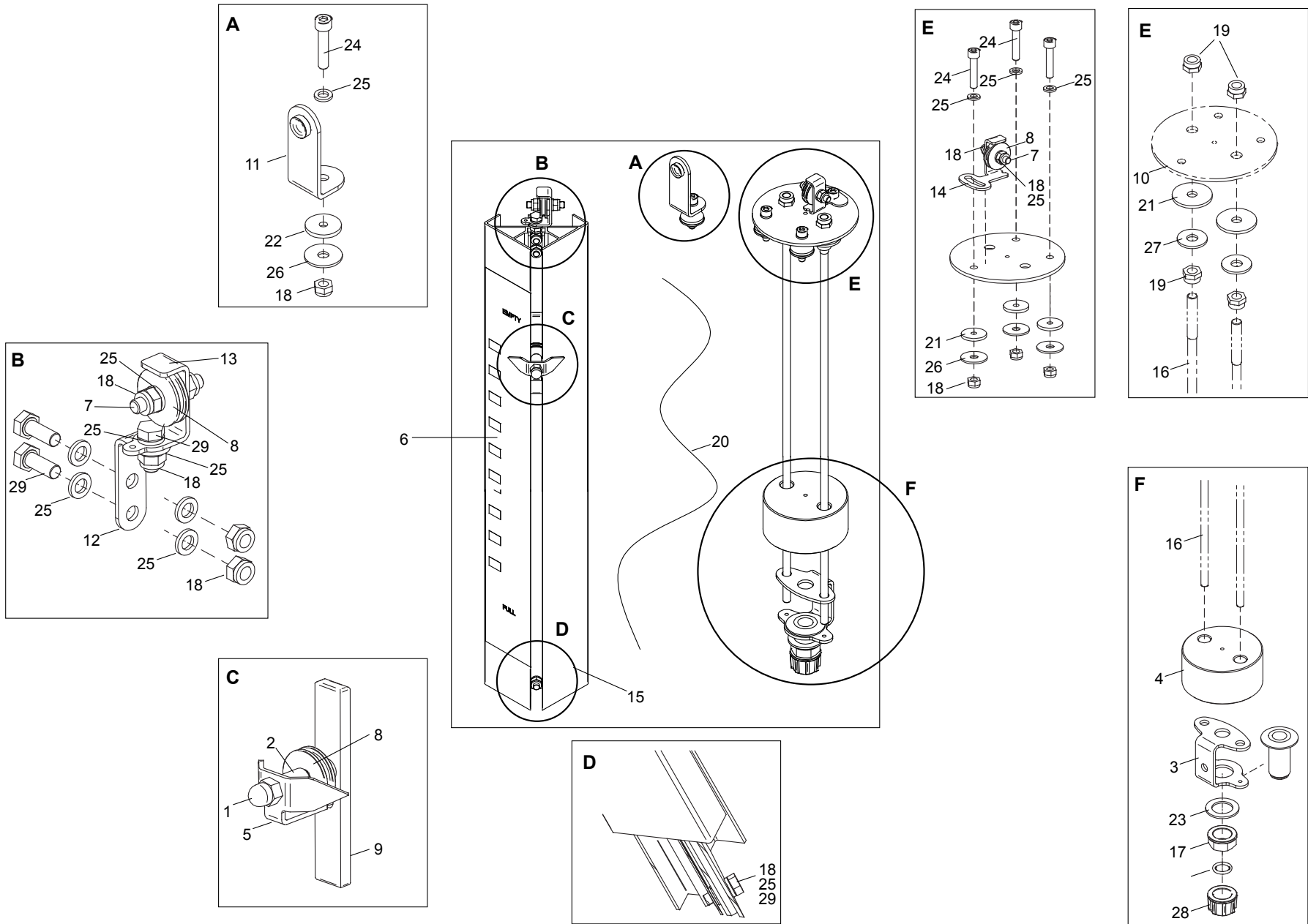
Pos.	Cod.	Descrizione	Description	Description	Benennung	Description
3	U33011080	K.TUBO IDR.1/4" MT6,70 F90-F90 /	/	/	/	/
4	U33011275	K.TUBO IDR.1/4" MT5,75 F90°-F90° /	/	/	/	/
5	U33011250	K.TUBO IDR.1/4" MT1,45 F90+F90 /	/	/	/	/
6	U33010663	K.TUBO IDR.1/4" MT1,80 F90°-F90° /	/	/	/	/
7	U33011246	K.TUBO IDR.1/4" MT1,05 F90+F90 /	/	/	/	/
8	U33011250	K.TUBO IDR.1/4" MT1,45 F90+F90 /	/	/	/	/
9	U33011255	K.TUBO IDR.1/4" MT2,10 F90+F90 /	/	/	/	/
10	U33010665	K.TUBO IDR.1/4" MT3,10 F90°-F90° /	/	/	/	/
11	U33010984	K.TUBO IDR.1/4" MT2,00 F90°-F /	/	/	/	/
12	U33010963	K.TUBO IDR.1/4" MT2,55 F+F90° /	/	/	/	/
13	U33010974	K.TUBO IDR.1/4" MT0,75 F90°+F90° /	/	/	/	/
14	U33010985	K.TUBO IDR.1/4" MT3,50 F-F90° /	/	/	/	/



**Collegamenti sollevamento / Lift's connections**

**TAV. 240**

Pos.	Cod.	Descrizione	Description	Description	Benennung	Descripcion
3	U18460090	ACCUMUL.IDROPNEUM.0,75LT 40B AZOTO	ACCUM.IDROPN.0,75LT 40B AZOTO	/	/	/
4	F03150310	NIPPLO MM CIL-CIL 3/8-1/4 ZN	NIPPLE CYL.MALE3/8-1/4 ZN	NIPPLE MALE CYL.3/8-1/4 ZN	NIPPELZYL.3/8-1/4 ZN	NIPLE MACHO CIL.3/8-1/4 ZN
5	F03150266	NIPPLO MM CIL-CIL 1/4-1/4 ZN	NIPPLE GALV.CYL.MALE 1/4 ZN	NIPPLE MALE CYL. 1/4 ZN	NIPPELZYL.1/4 ZN	NIPLE MACHO CIL.1/4 ZN
6	F03150321	NIPPLO MM CIL-CIL 3/8-3/8 ZN	NIPPLE MM CIL-CIL 3/8-3/8 ZN	NIPPLE MM CIL-CIL 3/8-3/8 ZN	NIPPELZYL MM 3/8-3/8 ZN	NIPLE MM CIL-CIL 3/8-3/8 ZN
7	F03020120	CURVA 90°M/F GIREV BSP 1/4-19	/	/	/	/
8	U28030246	RACC.OLIO"TM-F-FGIR.3/8"TX5060606	OIL "T" FITT-F-FGIR.3/8"TX506	/	/	/
9	U28030370	RACC.OLIO"TM-F-FGIR.1/4"TX5040404	RAC.OLIO"TM-F-FGIR.1/4"TX504	/	/	/
11	F01420038	ROS.M6 6,4X 18X 2 U6593 IX	WASHER M6 6,4X18X2 U6593 IX	RONDELLE M6 6,4X18X2 U6593 IX	SCHEIBE M6 6,4X18X2 U6593 IX	ARANDELA M6 6,4X18X2 U6593 IX
14	F03020070	RONDELLA BONDED AUTOCENT 3/8	BONDED WASHER 3/8"	/	/	/
15	F03020103	RONDELLA BONDED AUTOCENT 1/2	BONDED WASHER 1/2"	/	/	/
16	F03020069	RONDELLA BONDED AUTOCENT 1/4	COPPER WASHER 13X19X1,5-1/4"	RONDELLE	SCHEIBE	ARANDELA
17	USP000472	SQUADRA SUPP GETTO TERM BDF	SQUADRA SUPP GETTO TERM BDF	/	/	/
18	F03020057	TAPPO MASCHIO BSP 1/4-19	/	/	/	/
19	F03050914	TG 3/8 2SN FD 3/8 F90 3/8 1450	/	/	/	/
20	U33010865	K.TUBO IDR.3/8"R2AT MT0,70 FD-FD	/	/	/	/
22	F03050917	TG 1/4 2SN FD1/4 F90°1/4 1450	/	/	/	/
23	U36000112	VALVOLA RITEGNO PVL VBPDA 040 1/4"	CHECK VALVE VBPDA 040 1/4	/	/	/
24	U36000118	VALV STROZZ UNIDIR 3/8 3/8 35 LT/1°	/	/	/	/
26	F01020054	VITE M 6X 1X 55 U5737 A2IX	NUT M6X1X110 U5737 A2IX	/	/	/
29	U33010974	K.TUBO IDR.1/4" MT0,75 F90°+F90°	/	/	/	/
30	F03070260	TG 3/8 2SN FD 3/8 F90 3/8 3500	/	/	/	/
31	U33011039	K.TUBO IDR.3/8" 2SN06 MT4,4 FD-FD	/	/	/	/
33	U14070012	INNESTO RAP.1/2"MASCHIO ISO7241/1A	QUICK-CONNECTOR 1/2" M ISO724	/	/	/
34	F03020054	PASSAPARETE BSP 1/4-19	/	/	/	/
35	F03150222	NIPPLO MM CIL-CIL 1/2-3/8 ZG	NIPPLE M-M CYL-CYL 1/2-3/8 ZN	NIPPLE H-H CIL-CIL 1/2-3/8 ZN	NIPPEL M-M CIL-CIL 1/2-3/8 ZN	NIPLE H-H CIL-CIL 1/2-3/8 ZN
36	F03150111	NIPPLO F-F GIREVOLE 1/2 CIL	/	/	/	/
37	F03020056	PASSAPARETE BSP 1/2-14	BULKHEAD BSP 1/2-14	/	/	/
38	F03020103	RONDELLA BONDED AUTOCENT 1/2	BONDED WASHER 1/2"	/	/	/
39	U28070022	ROS.SPEC \$21X40X3,5 OTT	ROS.SPEC \$21X40X3,5 OTT	/	/	/
40	U06000053	DADO ES G1/2"X8X30 OT59	/	/	/	/
41	U20000049	NIPPLO 1/2" 1/2" M ASIMMETRICO	NIPPLE 1/2" 1/2" M ASIMMETRICO	/	/	/
42	U28070022	ROS.SPEC \$21X40X3,5 OTT	ROS.SPEC \$21X40X3,5 OTT	/	/	/
43	U06000053	DADO ES G1/2"X8X30 OT59	/	/	/	/
44	F03120111	/	/	/	/	/
45	F03150222	NIPPLO MM CIL-CIL 1/2-3/8 ZG	NIPPLE M-M CYL-CYL 1/2-3/8 ZN	NIPPLE H-H CIL-CIL 1/2-3/8 ZN	NIPPEL M-M CIL-CIL 1/2-3/8 ZN	NIPLE H-H CIL-CIL 1/2-3/8 ZN

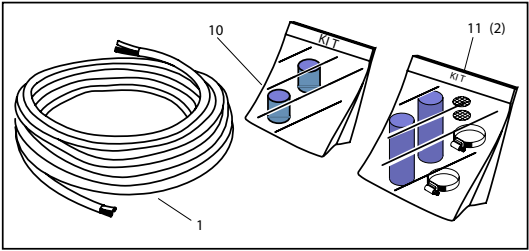
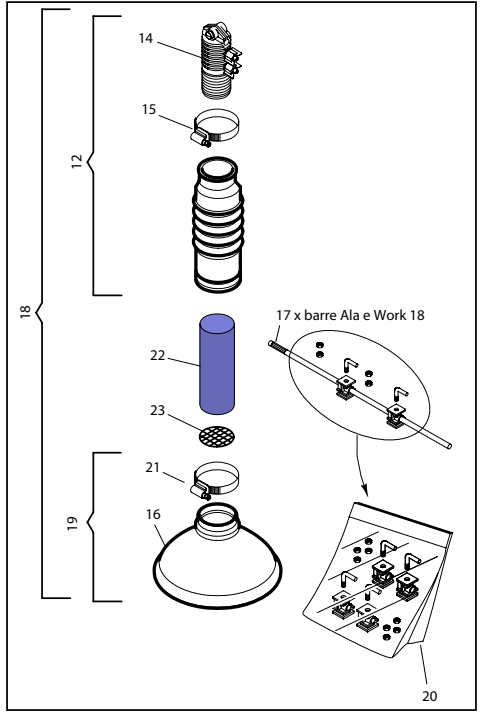
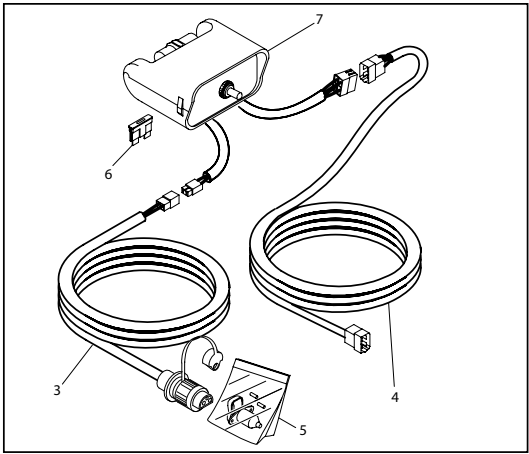
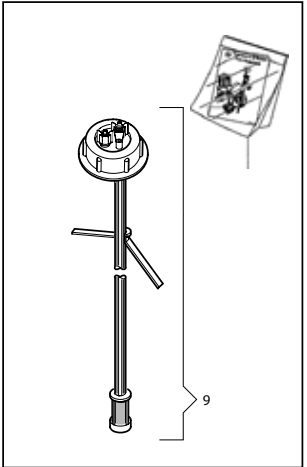
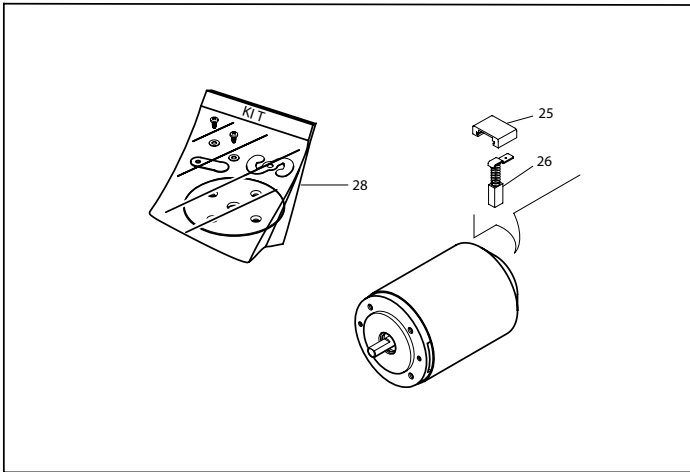
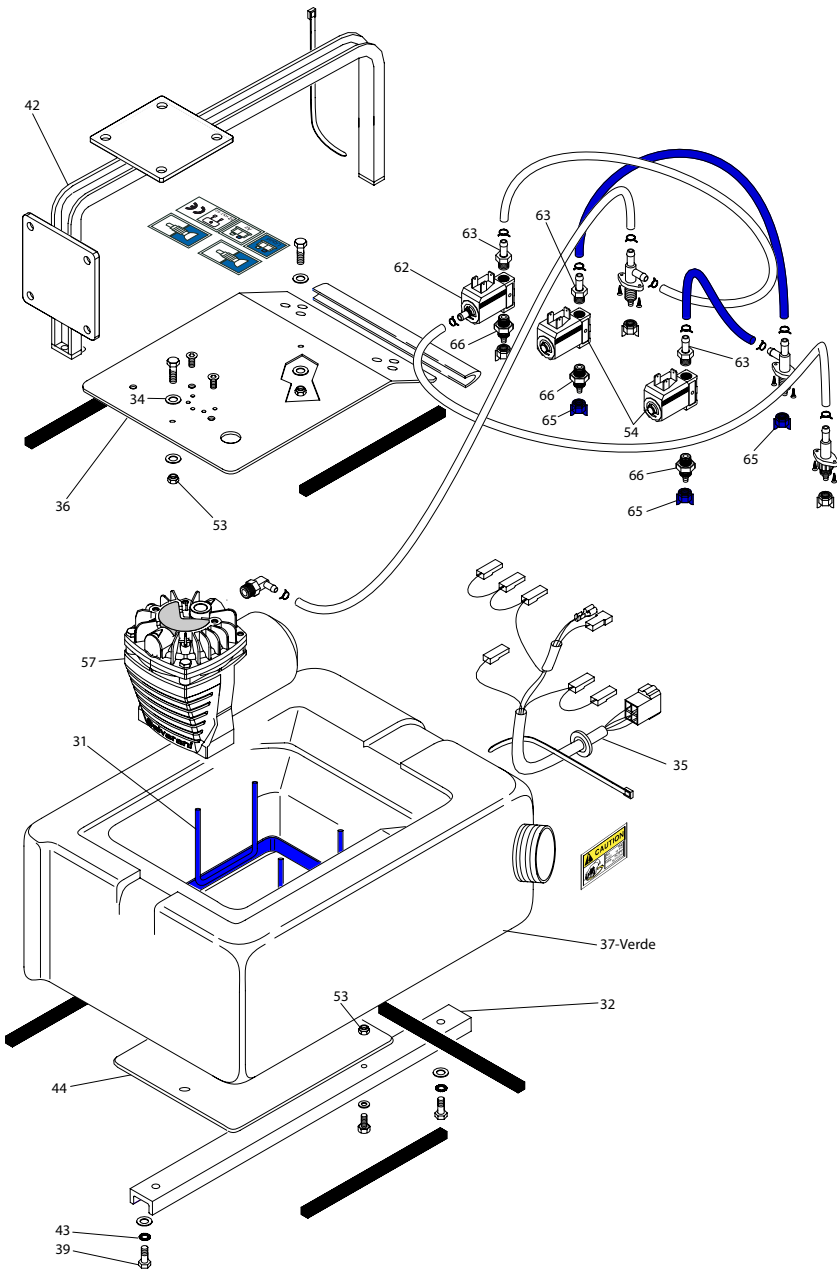




Livello cisterna / Tank level

TAV. 250

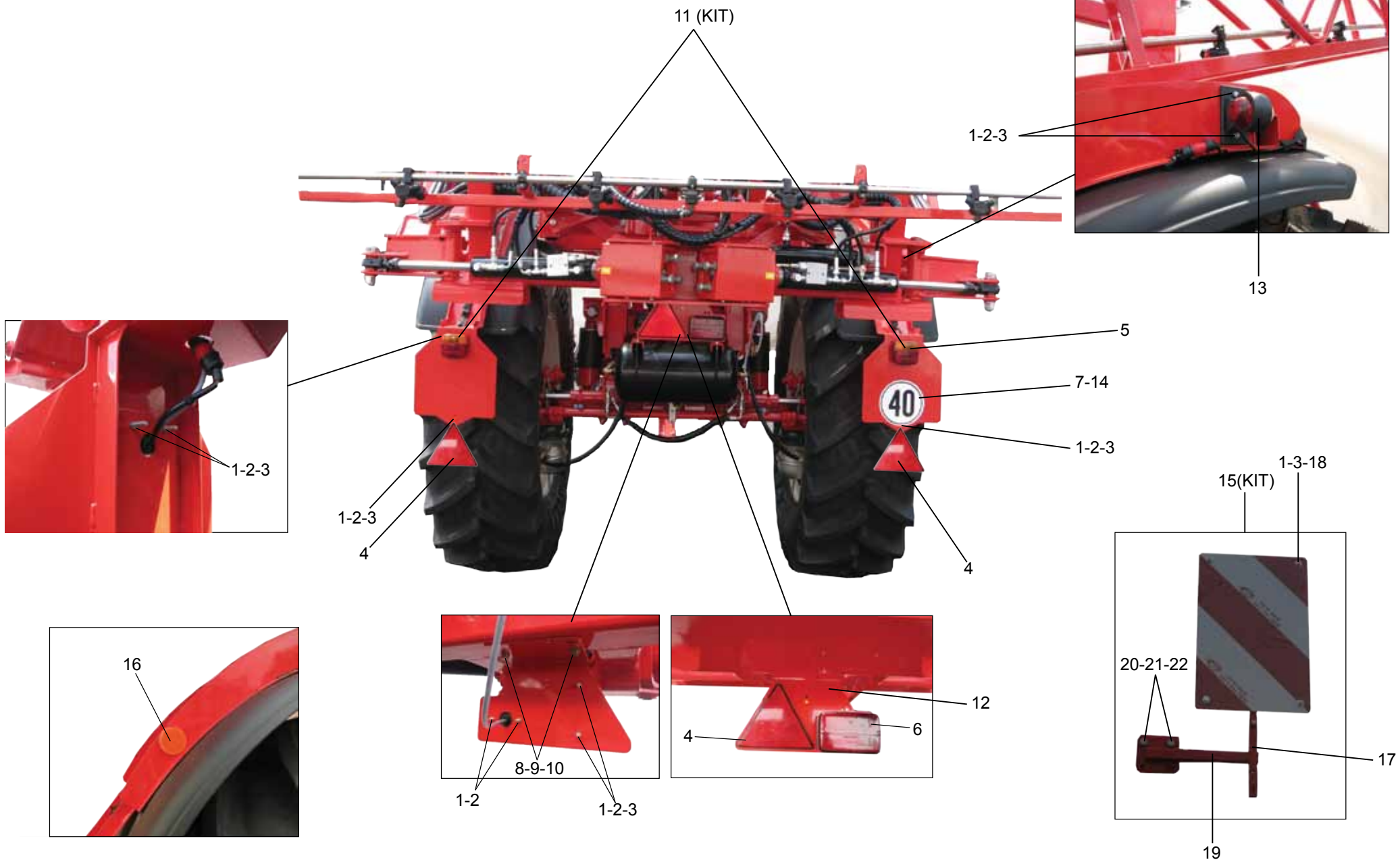
Pos.	Cod.	Descrizione	Description	Description	Benennung	Description
1	UA7000141	DADO ES.CIECO M6 UNI 5721	/	/	/	/
2	UA7000145	DISTANZIALE INDICATORE GE	/	/	/	/
3	UA7000269	GUIDA INFERIORE GEODRY	/	/	/	/
4	UA7000270	GALLEGGIANTE GEODRY	/	/	/	/
5	UA7000353	LAMIERINO INDICATORE GEOD	/	/	/	/
6	U32150844	TARGH.LIV.SECCO CAMPO 42S	/	/	/	/
7	UA7000382	PERNO CARRUCOLA GEODRY	/	/	/	/
8	UA7000396	PULEGGIA D.25 GEODRY	/	/	/	/
9	UA7000397	PATTINO GEODRY	/	/	/	/
10	UA7000437	DISCO SUPPORTO CARRUCOLA	/	/	/	/
11	UA7000438	SUPPORTO INTERMEDIO GEODR	/	/	/	/
12	UA7000439	SUPPORTO CARRUCOLA GEODRY	/	/	/	/
13	UA7000440	SUPPORTO GIREVOLE GEODRY	/	/	/	/
14	UA7000441	SUPPORTO PIASTRA CISTERNA	/	/	/	/
15	UA7000448	SOSTEGNO ALLUMINIO GEODRY	/	/	/	/
16	UA7000458	TIRANTE GEODRY L=2000	/	/	/	/
17	U06000053	DADO ES G1/2"X8X30 OT59	/	/	/	/
18	F01230025	DADO M 6X 1 D985 A2 IX	NUT M6X1 D982 A2 IX	/	/	/
19	F01230308	DADO M 8X1,25 UNI7474 A2 IX	NUT M18X 2,5 UNI7474 A2 IX	/	/	/
20	U11100012	CORDINO 25MM \$1,3 POLIES.	CORDINO 25MM \$1,3 POLIES.VENEZ	/	/	/
21	U12090022	GU NOR \$8X32X2 GO AAC	GASKET D8X32X2 GO AAC	/	/	/
22	U12090057	GU NOR \$23X5X2,2 NBR 60SH	GU NOR \$23X5X2,2 NBR 60SH	/	/	/
23	U12090064	GUAR.PIANA 1/2" \$21X32X2	PLAT GASKET 1/2 D21X32X2	/	/	/
24	F01040078	VITE M 6X1 X 14 U5931 A2IX	BOLT M6X1X14 UNI5931 A2IX	/	/	/
25	F01410034	ROS.M6 6,4X12,5X1,6 U6592 IX	WASHER M6 6,4X12,5X1,6 U6592	/	/	/
26	F01420039	ROS.M6 6,4X 24X 2 U6593 IX	WASHER M6 6,4X24X2 U6593 IX	RONDELLE M6 6,4X24X2 U6593 IX	SCHEIBE M6 6,4X24X2 U6593 IX	ARANDELA M6 6,4X24X2 U6593 IX
27	F01420047	ROS.M8 8,4X 24X 2 U6593 IX	WASHER M8 8,4X24X2 U6593 IX	RONDELLE M8 8,4X24X2 U6593 IX	SCHEIBE M8 8,4X24X2 U6593 IX	ARANDELA M8 8,4X24X2 U6593 IX
28	U32020185	KIT TAPPO G1/2 OTTONE+GUA	KIT TAPPO G1/2 OTTONE+GUARNIZI	/	/	/
29	F01020419	VITE M 6X1 X 16 U5739 A2IX	SCR. M6X1X16 U5739 A2IX	VIS M6 X1 X 16 U5739 8.8 IX	SCHRAUBE M6 X1 X 16 U5739 8.	TORNIL. M6 X1 X 16 U5739 8.8



Tracciafile / Row marker

TAV. 260

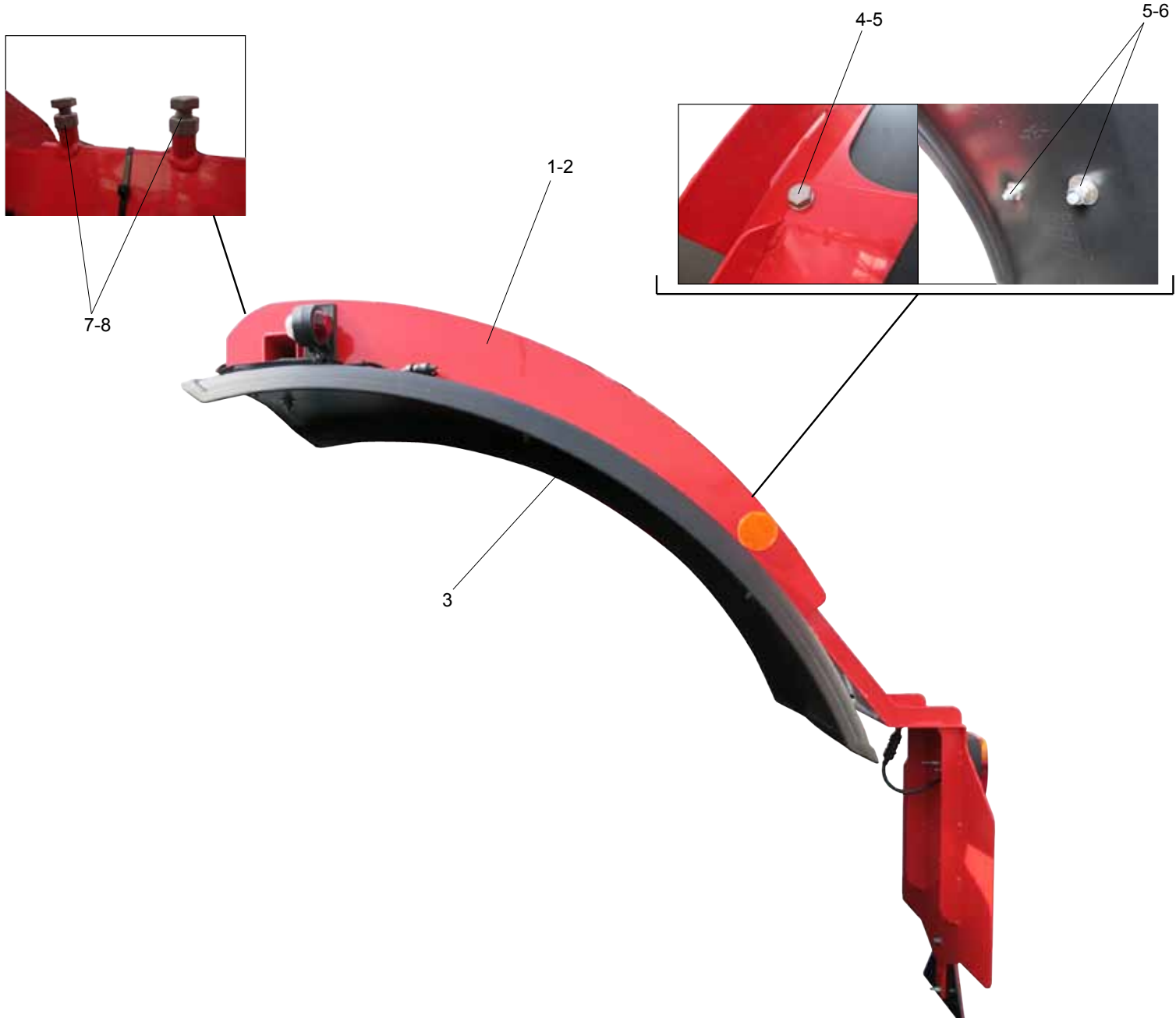
Pos.	Cod.	Descrizione	Description	Description	Benennung	Descripcion
1	U33010530	K.TUBO NY 33MT \$4X6 TRACCIAFILE	K.PIPES 33MT \$4X6 ROW MARKER	/	/	/
3	UA0600374	CAVO ALIM.2X3 MT.2 3P+F.25A	POWER CABLE 2X3 MT.2 3P+F.25A	/	/	/
4	UA0600350	CAVO INTERRU.TT.TRACCIAFILE 7MT	7M FOAM MARKER SWITCH CABLE	/	/	/
5	U30380003	KIT PRESA 3 POLI-FASTON	3POLE PLUG KIT-FASTON	/	/	/
6	UA0600203	FUSIBILE LAMA 15A	/	/	/	/
7	UA0600369	QUADRO ELET.TRACCIAFILE	/	/	/	/
9	U32020004	TAPPO COMPLETO TRACCIAFILE	FILLER CAP-FOAM MARKER	/	/	/
10	UA0600366	KIT 2 SPUGNE SPRUZZATORE \$30	2 SPRAYER SPONGE KIT \$30	/	/	/
11	UA0600377	KIT 2 SPUGNE \$55+FASCETTE+FILTRI	2 SPONGE KIT \$55+STRIPS+FILTERS	/	/	/
12	UA0600370	SPRUZZATORE 150 COMPLETO S.CAMPANA	COMPLETE SPRAYER 150 W/OUT BELL	/	/	/
14	UA0600305	CORPO SPRUZZATORE COMPLETO 6X4+SPUG	COMPLETE SPRAYER BODY 6X4+SPONGE	/	/	/
15	UA0600187	FASCETTA25-45 SALV901.010	STRIP25-45 SALV901.010	/	/	/
16	U06060126	N°1 CAMPANA x DIFFUSORE TRACCIAF.	FOAM MARKER RUBBER	/	/	/
17	U00150002	ASTA SUPP MISC SALV901.011	SUPPORT ROD MISC SALV901.011	/	/	/
18	U06060128	SPRUZZATORE 150 COMPL.+CAMPANA+SPUG	SPRUZZAT.150 COMPL+CAMPAN+SPUG/	/	/	/
19	U10030003	N°1 CAMPANA + FASCETTA	BELL + CLAMP	/	/	/
20	U18050006	KIT MORSETTI PLASTICA COPPIA	KIT MORSETTI PLASTICA COPPIA	/	/	/
21	U10030094	FASCETTA INOX W4 40X60 BANDA 12	STRIP W4 40-60 INOX	/	/	/
22	U18460003	SPUGNA TRACCIAFILE \$55X100	FOAM MARKER SPONGE \$55X100	/	/	/
23	U10020032	FILTRO RETE TRACCIAFILE \$42	FILTER FOR MARKER D42	/	/	/
25	UA0600312	COPERCHIO SPAZZOLE M.ELETTRICO TF/2	COPERCHIO SPAZZ.M.ELETTTR. TF/2	/	/	/
26	UA0600311	SPAZZOLE MOTORE ELETTRICO/2	SPAZZOLE MOTORE ELETTRICO/2	/	/	/
28	UA0600302	KIT SOST MEMBRANA LAMELLE	KIT SOST MEMB.LAMELLE	/	/	/
31	UA0600336	PROTEZIONE INTERNA	INTERNAL PROTECTION	/	/	/
32	UA0600338	TRAVERSA DI CHIUSURA	CLOSING CROSSPIECE	/	/	/
35	UA0600348	CABLAGGIO ELETTRICO INTERNO TF	/	/	/	/
36	UA0600337	LAMIERA ATTACCO COMPRESSORE	/	/	/	/
37	USP000130	CISTERNA PLT 22LT COMPACT-MARK BIAN	TANK PLT 22LT COMPACT-MARK	/	/	/
42	UA0600335	TELAIO CANESTRO TF UNIGREEN	/	/	/	/
43	UA0600153	ROSETTA DENT D8	DENT WASHER D8	/	/	/
44	UA0600339	LAMIERA DI CHIUSURA INF. UNIGREEN	LOCKING PLATE BOTTOM UNIGREEN	/	/	/
53	UA0600151	DADO M6 BLOC ZINC	GALVANISED BLOCK NUT M6	/	/	/
54	UA0600185	&* ELET.2/2 V.1/8"12V.DC==RA94.22F	/	/	/	/
57	UA0600192	COMPRESSORE CM40 90-6,5-12VDC	COMPRESSOR CM40 90-6,5-12VDC	/	/	/
62	UA0600186	EV 3/2 V.1/8"12V.DC.F2,5 T.342	EV 3/2 V.1/8"12V.DC.F2,5 T.342	/	/	/
63	UA0600178	RACC.PORTAG.DIR.6/8-1/8" PLT	STR.HOSEFITTING 6/8-1/8" PLT	/	/	/
65	UA0600177	RACC.GHIERA AD ALETTE BLU TRACCIAFI	WIRE-TRACK BLUE FIN RING NUT FITT	/	/	/
66	UA0600172	RACC.DRITTO 1/8 \$6X4 PLAS	STRAIGHT FITT 1/8 \$6X4 PLAS	/	/	/



**Kit luci / Light kit**

**TAV. 270**

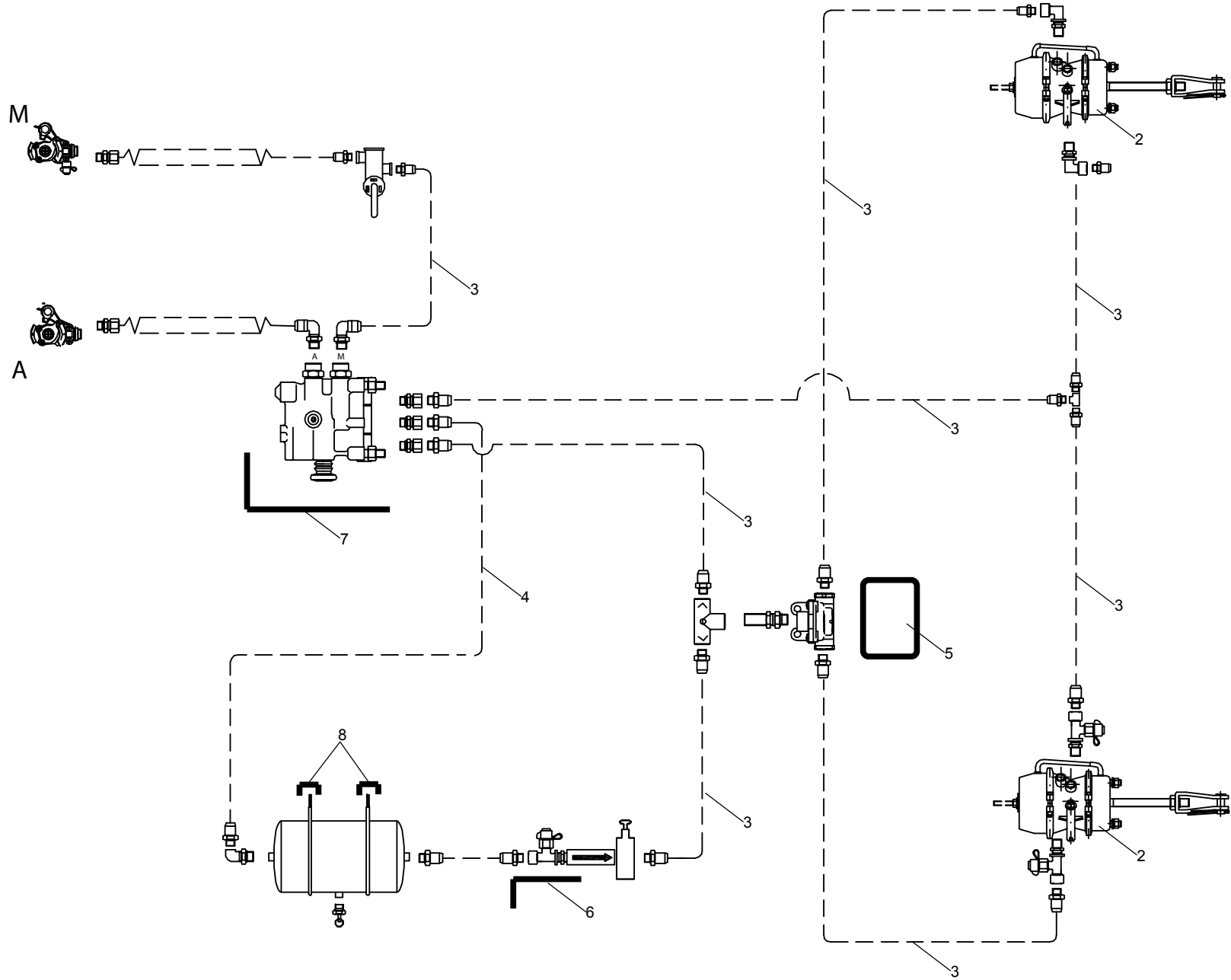
Pos.	Cod.	Descrizione	Description	Description	Benennung	Descripcion
1	F01020420	VIT.M 6X 1X 20 U5739 A2 IX	SCR. M6X1X20 U5739 A2IX	VIS M6 X1 X 20 U5739 8.8 IX	SCHRAUBE M6X1X20 U5739 A2 IX	TORNIL. M6 X1 X 20 U5739 8.8
2	F01200503	DADO M 6X 1 U5587 A2 IX	NUT M12X1,75 U5593 5.8ZN	/	/	/
3	F01420038	ROS.M6 6,4X 18X 2 U6593 IX	WASHER M6 6,4X18X2 U6593 IX	RONDELLE M6 6,4X18X2 U6593 IX	SCHEIBE M6 6,4X18X2 U6593 IX	ARANDELA M6 6,4X18X2 U6593 IX
4	F05010222	CATARIFRANGENTE TRIANGOLARE	/	/	/	/
5	U04560108	CABLAGG.(5M+8,5M)+FANALI DX/SX	/	/	/	/
6	U04560110	FANALE CENTRALE+CAVO 4 MT	/	/	/	/
7	U32150938	ADESIVO 40 KM/ORA GERMAN(B/N)	/	/	/	/
8	F01020457	VIT.M 8X1,25X 20 U5739 A2 IX	SCR. M8X1,25X20 U5739 A2IX	VIS M8 X1,25X20 U5739 A2 IX	SCHRAUBE M8X1,25X20 U5739 A2IX	TORNILLO M8X1,25X20 U5739 A2IX
9	F01480101	ROS.G 8,4X14,4X2,7	SINGLE COIL 8,4X14,4X2,7 IX	RONDEL.ELASTIQUES 8,4X14,4X2,7	FEDERRINGE 8,4X14,4X2,7 IX	ARANDELAS 8,4X14,4X2,7 IX
10	F01410050	ROS.M8 8,4X 17X1,6 U6592 IX	WASHER M8 8,4X 17X1,6 U6592 IX	RONDELLE M8 8,4X 17X1,6 IX	SCHEIBE M8 8,4X 17X1,6 IX	ARANDELA M8 8,4X 17X1,6 IX
11	F05010833	KIT LUCI POST.STRAD.ECCEZ.	/	/	/	/
12	U27040423	PIASTRA FIX FANALE CENTRALE	/	/	/	/
13	U04560109	CABLAGG.(4,5M)+FANALI INGOMBRO	/	/	/	/
14	F20030258	ETICH. LIMITE VELOCITA' 25	SPEED LIMIT 25 LABEL	/	/	/
15	U50301154	K.PANN.RETRORIFLET ROSSI/BIANC	/	/	/	/
16	F05010819	CATARIFR.TONDO D60 GIALLO	/	/	/	/
17	U30021172	SUPPORTO TABELLE ANTERIORE	/	/	/	/
18	F01230024	DADO M 6X 1 D982 A2 IX	NUT M6X1 D982 A2IX	ECROU AUTOB.NOR.10	SELBSTSP. MUTTER NOR. 10	TUERCA AUTOB. NOR. 10
19	G16612070	ASS.TELAIO SUPP.TABELLE STRAD.	/	/	/	/
20	F01020457	VIT.M 8X1,25X 20 U5739 A2 IX	SCR. M8X1,25X20 U5739 A2IX	VIS M8 X1,25X20 U5739 A2 IX	SCHRAUBE M8X1,25X20 U5739 A2IX	TORNILLO M8X1,25X20 U5739 A2IX
21	F01480044	ROS.G 10,2X 16X2,5 D7980 ZN	SPRING CRINK.WASH10,2X16X2,5ZN	ROND.ELEST.10,2X16X2,5 D7980ZN	FEDERRINGE 10,2X16X2,5 D7980ZN	ARAN.ELICO.10,2X16X2,5 D7980ZN
22	F01410501	ROS.M10 10,5X 20X 2 U6592 IX	ROS.M10 10,5X 20X 2 U6592 IX	/	/	/



**Kit parafanghi / Fender kit**

**TAV. 280**

Pos.	Cod.	Descrizione	Description	Description	Benennung	Description
1	U32060633	TELAIO PORTAPARAFANGO SX C42 /	/	/	/	/
2	U32060634	TELAIO PORTAPARAFANGO DX C42 /	/	/	/	/
3	U24180029	PARAFANGO L=470 AMA12377 /	/	/	/	/
4	F01020534	VITE M10X1,5 X 25 U5739 8.8GE	BOLT	/	/	/
5	F01420059	ROS.M10 10,5X 30X2,5 U6593 IX	WASHER 11X30X2,5 6593 A2	RONDELLE 11X30X2,5 6593 A2	UNTERLEGSCHIEBE 11X30X2,5 6593	ARANDELA 11X30X2,5 6593 A2
6	F01230047	DADO M10X1,5 D982 A2IX	NUT M10X1,5 D982 A2IX	ECROU M10X 1,5 D982 A2 IX	MUTTER M10X 1,5 D982 A2 IX	TUERCA M10X 1,5 D982 A2 IX
7	F01030520	VITE M12X1,75X 40 U5739 8.8GE	VTE M12X40 UNI5739 8.8 DACR.	/	/	/
8	F01200079	DADO M12X1,75 U5587 6S GE	NUT	/	/	/

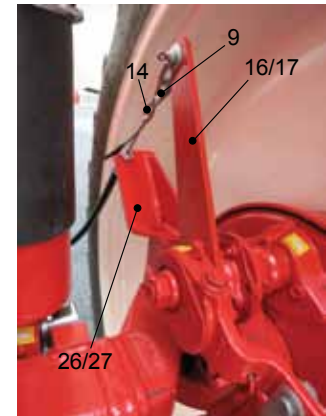
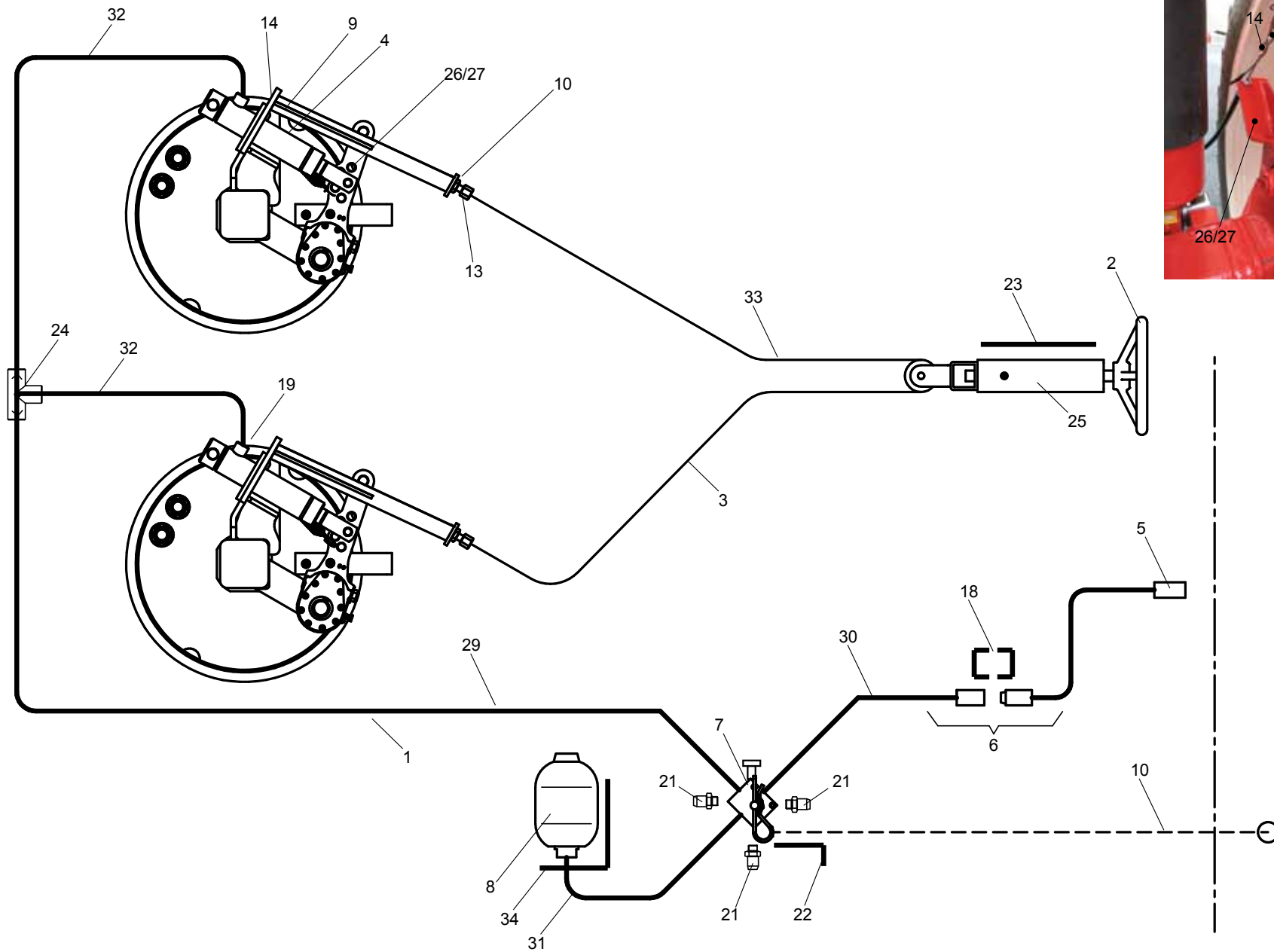




Freni pneumatici / Pneumatic brakes

TAV. 290

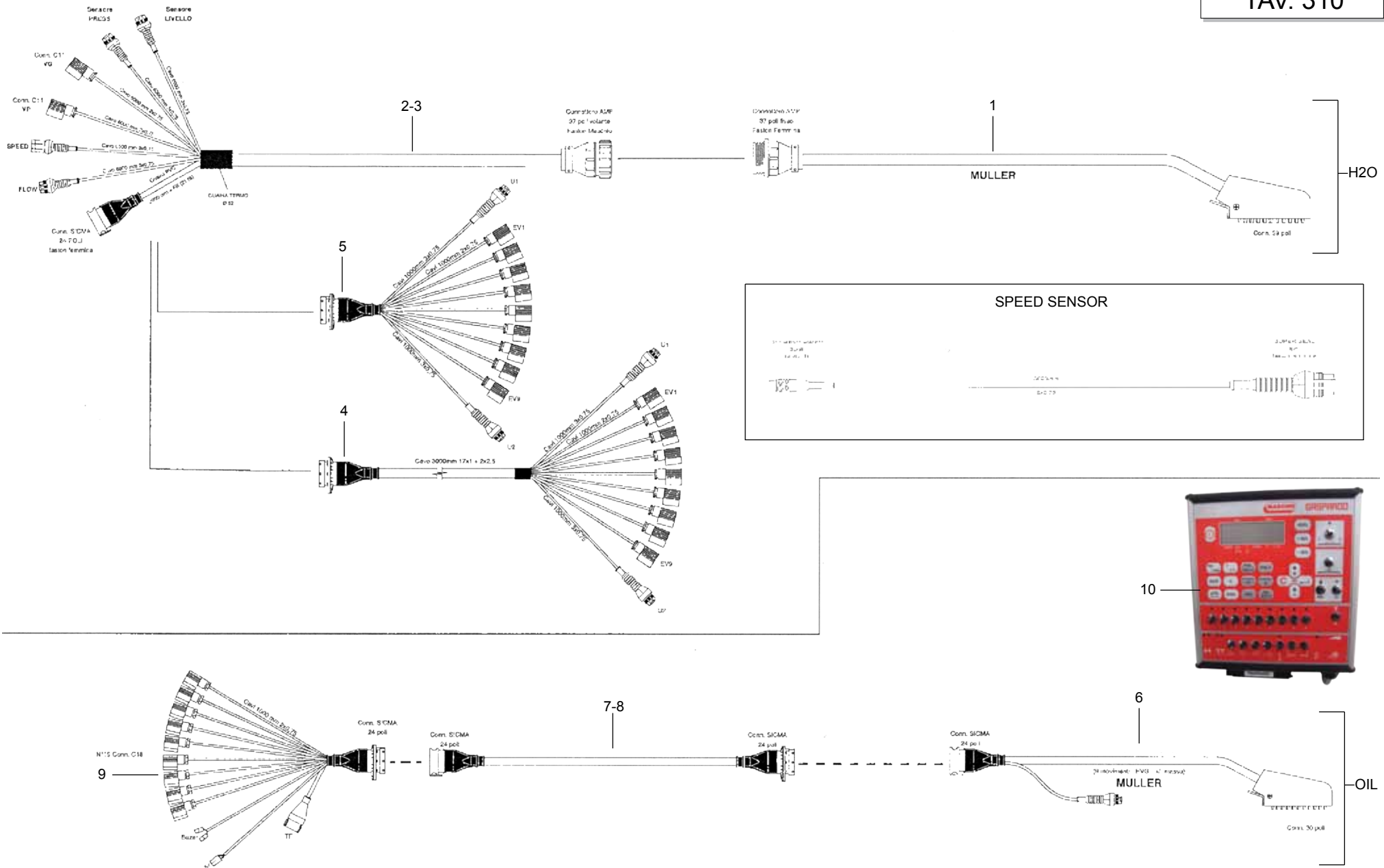
Pos.	Cod.	Descrizione	Description	Description	Benennung	Descripcion
1	U50181184	K.IMP.FREN.AIR BPW GERM.C42 30 /	/	/	/	/
2	U04410116	BRAKE CHAMBER TRISTOP BPW30/30 /	/	/	/	/
3	U32040182	TUBO RILSAN \$12X9 NEUTRO PA11 /	/	/	/	/
4	U32040177	TUBO RILSAN \$20X16 NEUTRO PA11 /	/	/	/	/
5	U24030287	PIASTR FIX SCARICO IMP FRENIA /	/	/	/	/
6	U24040420	PIASTRA FIX VALV. PARKING ARIA /	/	/	/	/
7	U30220123	SQUADRA FIX SERVOAUTO ARIA CAM /	/	/	/	/
8	U32070251	TRAVERSA SOST.SERBAT. ARIA C42 /	/	/	/	/



Freni idraulici / Hydraulic brakes

TAV. 300

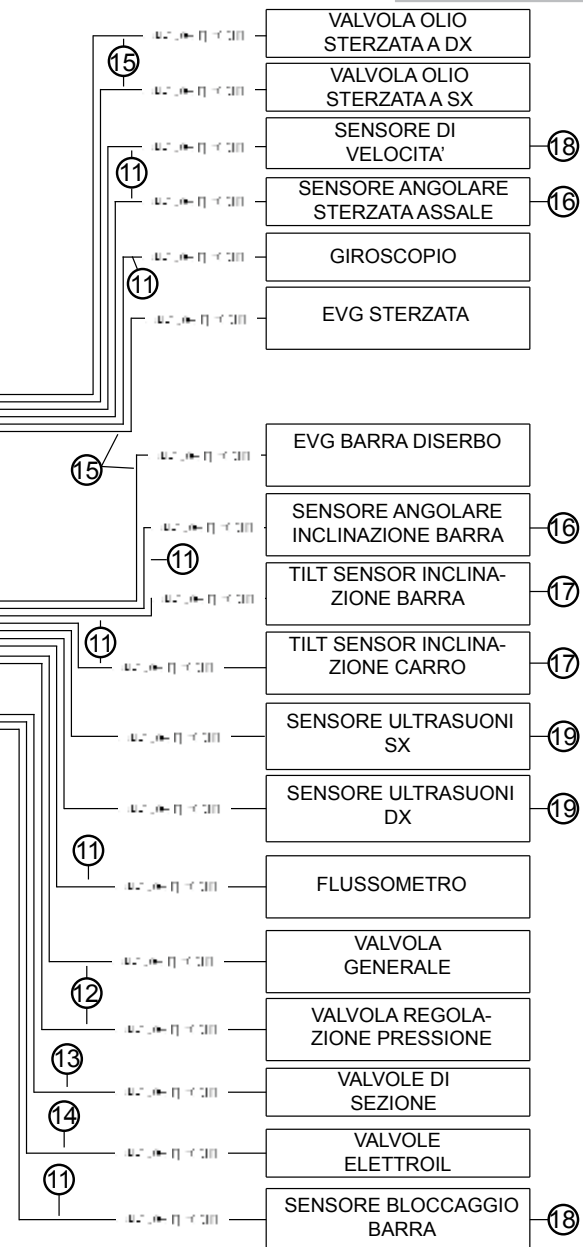
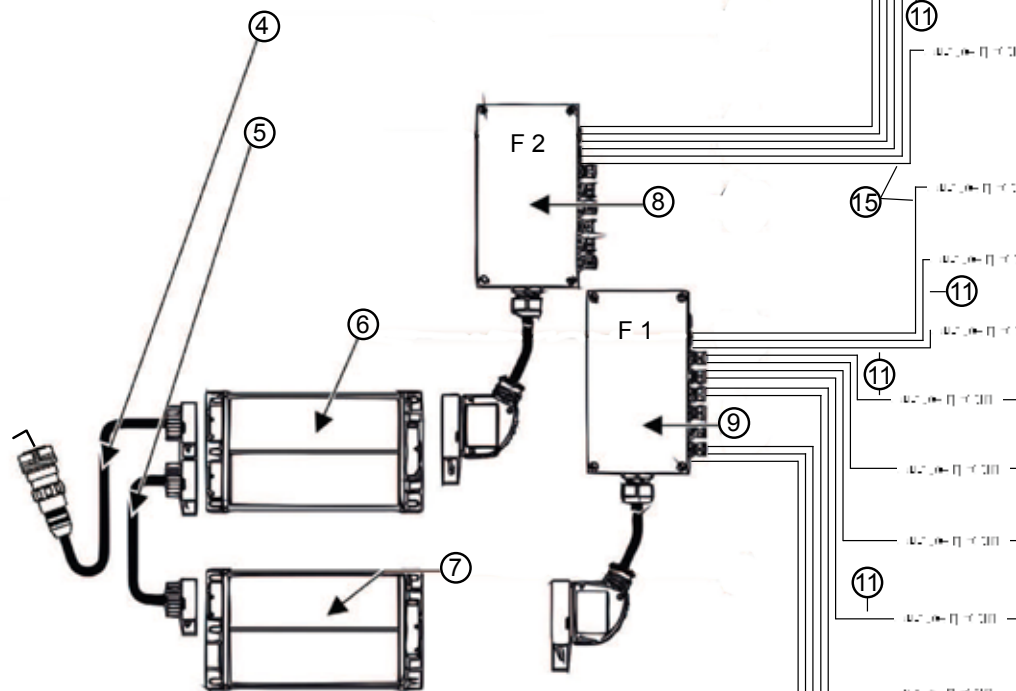
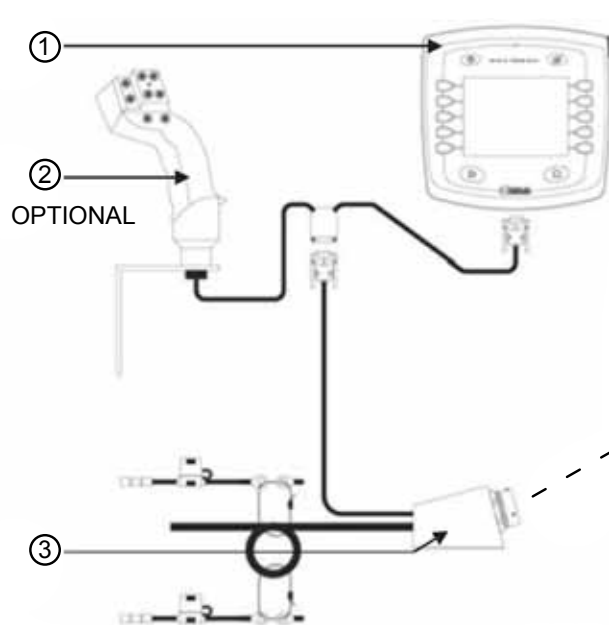
Pos.	Cod.	Descrizione	Description	Description	Benennung	Descripcion
1	U50181185	K.IMP.FRENAT.OLIO FRANCIA C42S	/	/	/	/
2	F06010278	FRENO STAZION.+VOLANTINO D.220	/	/	/	/
3	F02250739	FUNE ACCIAIO ZINCATO FRENI D.6	/	/	/	/
4	U04410112	CILINDRO FRENO D35+PIASTRA BPW	/	/	/	/
5	U14070020	INNESTO RAPID.F RO15507 IS5676	/	/	/	/
6	U14070021	GIUNTO PUSH-PULL RO15508+.5509	/	/	/	/
7	F03151457	VALVOLA EMERGENZA OLIO C/PULS>	/	/	/	/
8	U18460144	ACCUM.IDROPNEUM.1,0LT 70B AZOT	/	/	/	/
9	F02250740	REDANCE X FUNI D.6	/	/	/	/
10	F02350135	REGISTRO P/GUAINA	/	/	/	/
11	F03020103	RONDELLA BONDED AUTOCENT 1/2	BONDED WASHER 1/2"	/	/	/
12	F03020140	RONDELLA BONDED AUTOCE M18X1.5	/	/	/	/
13	F13040002	FERMO PER GUAINA	/	/	/	/
14	U04180034	CAV PRES \$5 AMA 564	/	/	/	/
15	U06000053	DADO ES G1/2"X8X30 OT59	/	/	/	/
16	U16000117	LEVA FRENO STAZ.L=280 DX STERZ	/	/	/	/
17	U16000118	LEVA FRENO STAZ.L=280 SX STERZ	/	/	/	/
18	U18050073	MORSETT.FIX PUSH-PULL FREN.OIL	/	/	/	/
19	U20000036	NIPPLO 1/2-1/2 GAS GIO5080800	NIPPLO 1/2-1/2 GAS GIO5080800	/	/	/
20	F03020056	PASSAPARETE BSP 1/2-14	BULKHEAD BSP 1/2-14	/	/	/
21	U20000097	NIPPLO OLIO 1/2G-M18X1,5 RIO50	/	/	/	/
22	U24030296	PIASTRINA FIX VALVOLA EMERGENZ	/	/	/	/
23	U24040429	PIASTRA FIX VOLANTINO STAZIONA	/	/	/	/
24	U28030414	RACCORDO A T M-M-FG 1/2" M	/	/	/	/
25	U30021182	SUPPORTO VOLANTINO STAZIONAMEN	/	/	/	/
26	U30021183	SUPPORTO GUAINA FRENO DX STERZ	/	/	/	/
27	U30021184	SUPPORTO GUAINA FRENO SX STERZ	/	/	/	/
28	U33010708	K.T.SAE100 R2AT 1/2" FD-FD L2,2M	/	/	/	/
29	U33010709	K.T.S100 R2AT 1/2" FD-F90 L4,2MT	/	/	/	/
30	F03070248	TG 1/2 2SN F90°1/2 F90°1/2 625 OR0°	/	/	/	/
31	/	TG 1/2 2SN F1/2 F45°1/2 550	/	/	/	/
32	U33011236	K.T.SAE100 R2AT 1/2"FD-F90 L1,2M	/	/	/	/
33	F11010005	GUAINA FLEX RICOP. VIPLE D.6MM	/	/	/	/
34	U24040332	PIASTRA FLUS WOLF X C.22-32 IX	/	/	/	/



**Computer Spraydos / Spraydos computer**

TAV. 310

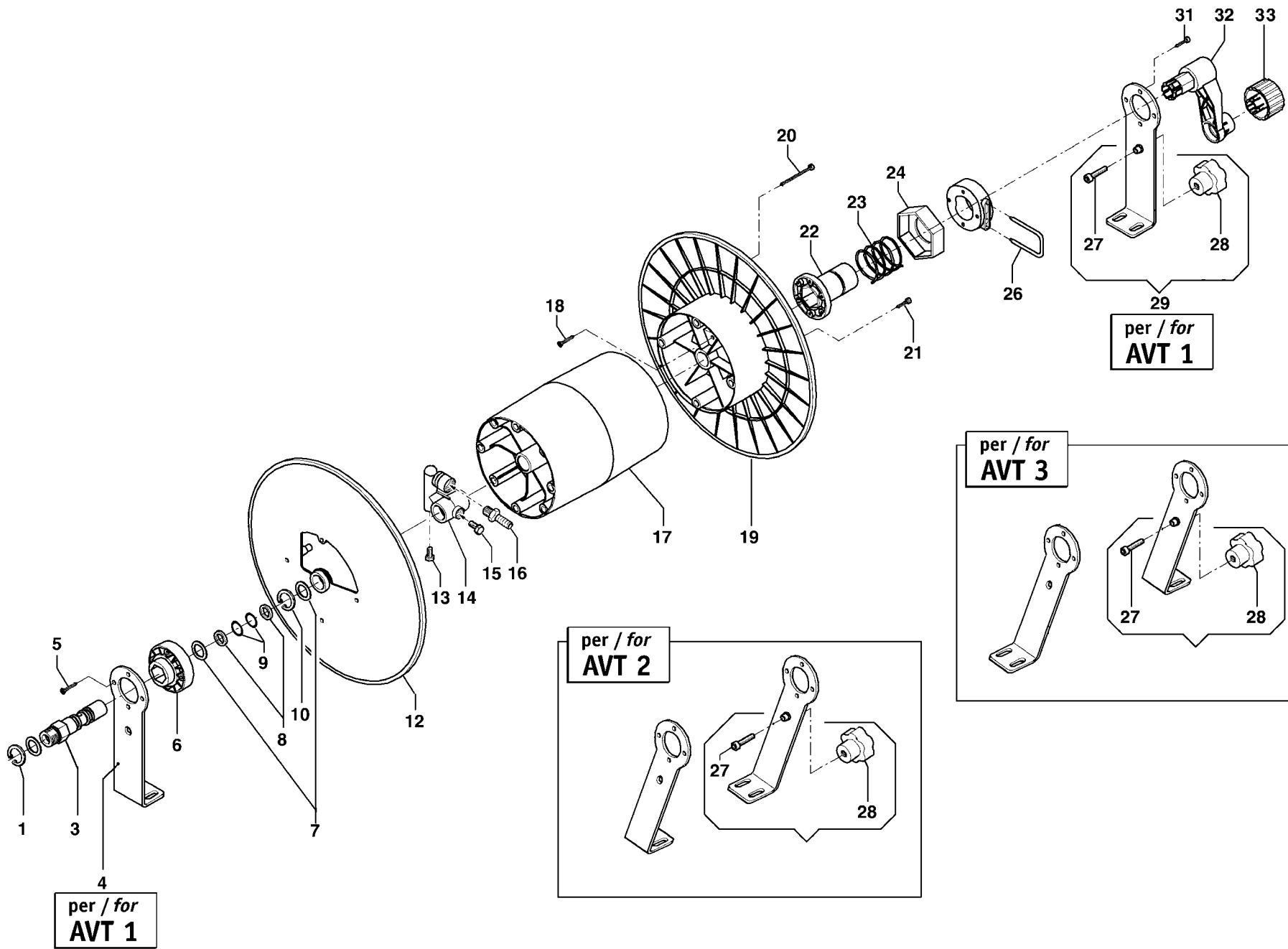
Pos.	Cod.	Descrizione	Description	Description	Benennung	Description
1	U04560051	CAVO H2O X SPRAYDOS 3MT (OF13-0016)	CABLE H2O X SPRAYDOS 3MT	/	/	/
2	U04560060	CAVO H2O+SENSORI 3MT (OF13-0024)	CABLE H2O+SENSOR 3MT	/	/	/
3	U04560048	CAVO H2O+SENSORI 8MT (OF13-0017)	/	/	/	/
4	U04560049	CAVO H2O TERMINALE 4MT 9V OF13-0023	/	/	/	/
5	U04560050	CAVO H2O TERMINALE 1MT 9V OF13-0019	/	/	/	/
6	U04560057	CAVO OIL9 SPRAYDOS 3MT (OF13-0018)	CABLE OIL9 SPRAYDOS 3MT	/	/	/
7	U04560055	CAVO OIL 3MT (919077-3,0)	CABLE OIL 5MT	/	/	/
8	U04560054	CAVO OIL 9MT (917077-9,0)	/	/	/	/
9	U04560056	CAVO OIL9 TERMINALE 1MT (OF13-0020)	/	/	/	/
10	U26000048	MONITOR SPRAYDOS 9 ACQUA+9OLIO	/	/	/	/



**Computer Basic Terminal / Basic Terminal Computer**

TAV. 320

Pos.	Cod.	Descrizione	Description	Description	Benennung	Descripcion
1	U30120001	BASIC TERMINAL (GASPARDO F05010873)	/	/	/	/
2	U26100164	ME-AR JOYSTICK MULTIFUNCTION SUB-D	ME-AR JOYSTICK MULTIFUNC.SUB-D	/	/	/
3	U04560097	ME-GA CAVO COLLEG.ISOBUS TRATTORE	ME-GA CAVO COLLEG.ISOBUS TRATT	/	/	/
4	U04560094	ME-CAVO ISOBUS COLLEGAM.JC F2 11MT	/	/	/	/
5	U04560095	ME-CAVO COLLEGAMENTO JC F1-F2 1,5MT	/	/	/	/
6	U04500170	ME-JOB COMPUTER F2 ECO HYDRAULIK-TC	/	/	/	/
7	U26000083	ME-JOB COMPUTER F1 ECO SPRAYER	/	/	/	/
8	U04500172	ME-JUNCTION BOX JC F2 HYDR./TC 9MT	/	/	/	/
9	U04500171	ME-JUNCTION BOX JC F1 SPRAYER 9MT	/	/	/	/
10	U04500173	ME-ANTENNA GPS A100 EGNOS +/-30CM	/	/	/	/
11	U04560096	ME-CAVO PROLUNGA AMP 3 POLI 8MT	ME-CAVO PROLUNGA AMP 3 POLI 8M	/	/	/
12	U04560082	CONN.C11 CON CAVO 2X0,75 MT.8	/	/	/	/
13	U04560077	CONN.C11 CON CAVO 2X0,75 MT.3	/	/	/	/
14	U04560078	CONN.C18 CON CAVO 2X0,75 MT.3	/	/	/	/
15	U04560083	CONN.C18 CON CAVO 2X0,75 MT.8	/	/	/	/
16	U04500015	ME-SEW ANGLE SENSOR	/	/	/	/
17	U32240064	ME-SEW TILT SENSOR ELECTRONIC 1MT	/	/	/	/
18	U04560061	SENS.VELOCITA + CAVO 0,5MT S.SEAL3P	SENS.VEL.+CAVO 0,5MT S.SEAL3P	/	/	/
19	U04500013	ME-SEU ULTRA SONIC SENSORS	/	/	/	/

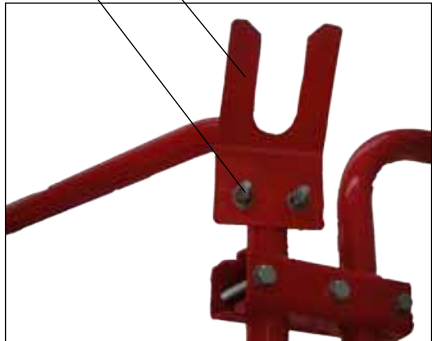
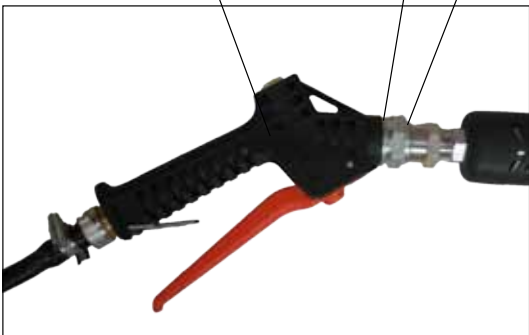
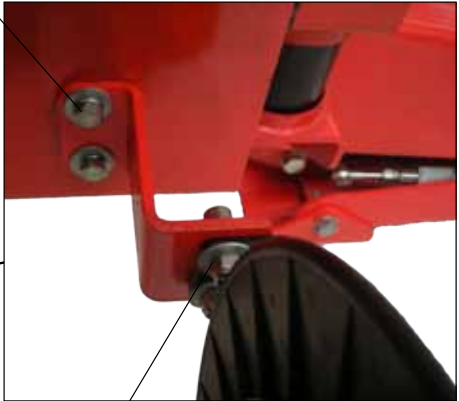
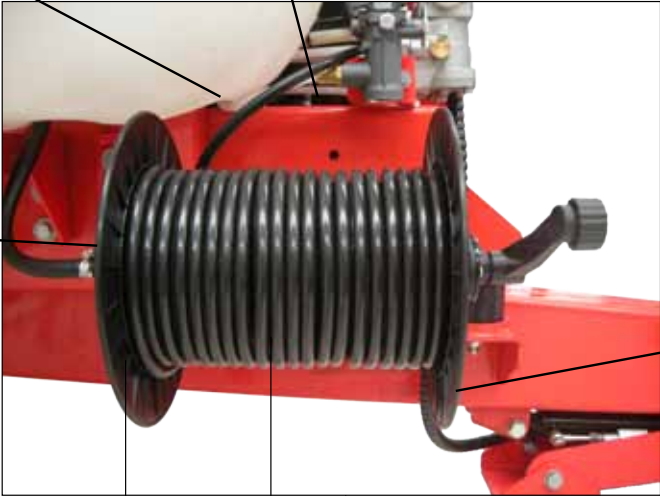
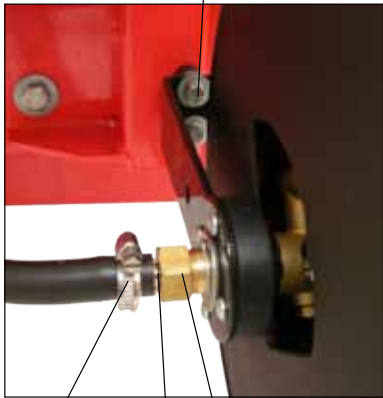
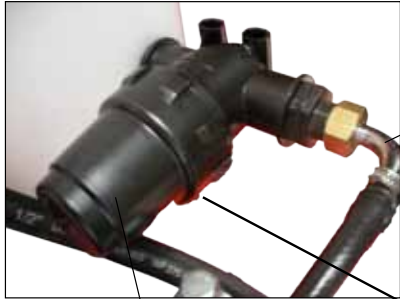




Avvolgitubo Tecno-Roll / Tecno-Roll hose-reel

TAV. 330

Pos.	Cod.	Descrizione	Description	Description	Benennung	Descripcion
1	F02050081	ANELLO E. DE 21X 1,2 U7435 IX	/	/	/	/
3	U24080002	PERNO G1/2" X AVT AGRICOLTURA	PERNO G1/2" X AVT AGRICOLTURA	/	/	/
4	U24140004	PIEDE SOSTEGNO AVT	PIEDE SOSTEGNO AVT	/	/	/
5	F01080046	VIT.M 5X X 20 D7505-B IX	/	/	/	/
6	U06010004	DIST X AVT	/	/	/	/
7	U28120001	RON SPECIALE \$20X30X2 ZN	ROS.SPECIALE \$20X30X2 ZN	/	/	/
8	U00090004	ANL BK H1,35 X\$15,6 X\$20	ANEL.BK H1,35 X\$15,6 X\$20	/	/	/
9	U12100076	GUOR \$15,08 X 2,62 VITON	GUOR \$15,08 X 2,62 VITON	/	/	/
10	F02050079	ANELLO E. DE 20X 1,2 U7435 IX	RETAING RING 20X1,2 U7435 IX	/	/	/
12	U06020003	DISCO POST AVT (KA+AGRIC)	DISCO POST AVT (KA+AGRIC)	/	/	/
13	U32020001	TAPPO G1/8" CONICO OTTONE 58	/	/	/	/
14	U28030028	RACC G1/4 F X AVT	RAC.G1/4 F X AVT	/	/	/
15	U32020001	TAPPO G1/8" CONICO OTTONE 58	/	/	/	/
16	U28000007	RPGD \$8 ATTACCO GC1/4 M	RPGD \$8 ATTACCO GC1/4 M	/	/	/
16	U28000009	RPGD \$10 ATTACCO GC1/4 M	RPGD \$10 ATTACCO GC1/4 M	/	/	/
16	U28000012	RPGD \$12 ATTACCO GC1/4 MASCHIO	/	/	/	/
17	U06010003	DIST X AVT	/	/	/	/
18	U36230004	VTCTC 4X16 DIN 7505-B GEOMET	/	/	/	/
19	U06020005	DISCO ANT AVT AGRICOLTURA	DISCO ANT AVT AGRICOLTURA	/	/	/
20	U36230005	VTCTC 5X70 DIN7505-B GEOMET	/	/	/	/
21	F01080047	VITE M5X25 D7505-B IX	BOLT M5X25 D7505-B IX	/	/	/
22	U04240003	CORPO PROL X AVT	CORPO PROL X AVT	/	/	/
23	U18020002	MOLLA X AVT	/	/	/	/
24	U24260001	PATTINO X AVT	/	/	/	/
26	U12020001	GANCIO X AVT	HOOK FOR AVT	/	/	/
27	U36090004	VTCEI M8X35 UNI5931 A2 GEOMET	/	/	/	/
28	U24310001	POMELLO X BLOCCO AVT	/	/	/	/
31	F01080046	VIT.M 5X X 20 D7505-B IX	/	/	/	/
32	U18040001	MANOVELLA X AVT	MANOVELLA X AVT	/	/	/
33	U24310011	POMELLO X AVT KA	POMELLO X AVT KA	/	/	/



Lavakit / Wash kit

TAV. 340

Pos.	Cod.	Descrizione	Description	Description	Benennung	Descripcion
1	U50320039	LAVAKIT-K.LAV.EST.MACCHINA C42	/	/	/	/
2	F01040082	VITE M 8X1,25X 35 U5931 A2IX	SCREW M8X1,25X 35 U5931 A2IX	/	/	/
3	F01230032	DADO M 8X1,25 D982 A2 IX	NUT M8X1,25 D982 A2IX	ECROU M 8X1,25 D982 A2 IX	MUTTER M 8X1,25 D982 A2 IX	TUERCA M 8X1,25 D982 A2 IX
4	F01420047	ROS.M8 8,4X 24X 2 U6593 IX	WASHER M8 8,4X24X2 U6593 IX	RONDELLE M8 8,4X24X2 U6593 IX	SCHEIBE M8 8,4X24X2 U6593 IX	ARANDELA M8 8,4X24X2 U6593 IX
5	F01480034	ROS.G 8,1X 12,7X2 D7980 IX	/	/	/	/
6	USP000109	CAV.T.B=30 M8X1,25 L=53 GEO	CAV.T.B=30 M8X1,25 L=53 GEO	/	/	/
7	U04560026	CAVO EL.BIPOLARE 2X2,5 MMQ	/	/	/	/
8	U10030089	FASCETTA INOX W4 10X16 BANDA 9	FASCETTA INOX W4 10X16 BANDA 9	/	/	/
9	U10030090	FASC.INOX W4 12X22 BANDA 9	CLAMP INOX W4 12X22 DIAMET.9	/	/	/
10	U12370088	FILTRO ASP <20LT 1/2F 10MM 50M	/	/	/	/
11	U16030005	LANCIA 1200+IMPUG.DOPP.SC5 TBZ	/	/	/	/
12	U18170002	IMPUGNATURA M30 30BAR 1/2"M-F	HANDLE M30 30BAR 1/2"M-F	/	/	/
13	U18460007	TESTA SPAZZOLA FISSA PVC 5BAR	/	/	/	/
14	U12000056	GAL G1/2 CH24 OTTONE	FLY-NUT G1/2 CH24 BRASS	/	/	/
15	U28250046	RID.F-F 1/2-1/4 OTT.NIC.(2553)	/	/	/	/
16	U32040034	TUBO PVC 10X17 NERO 40/120BAR	PVC PIPE 10X17 NERO 40/120BAR	/	/	/
17	U20000008	NIPPLO 1/2-1/2GAS OTT	NIPPLO 1/2-1/2GAS OTT	/	/	/
18	U24040456	VPIASTRA SUPP.SPAZZOLA LAVAKI	/	/	/	/
19	U25000343	POMPA ELETTRICA 12V 5.3L 4BAR	POMP.ELETTRICA 12V 5.3L 4BAR	/	/	/
20	U28030174	K.RPGD \$10 G1/2" ALETTE OR	/	/	/	/
21	U28030389	K.RPGC \$10 G1/2" ALETTE GU.PLT	K.RPGC \$10 G1/2" ALETTE GU.PLT	/	/	/
22	U30050004	SPINA 2 POLI 6-12V	SPINA 2 POLI 6-12V	/	/	/
23	U30380002	KIT PRESA 2 POLI-FASTOM	KIT SOCKET 2 POLE-FASTON	/	/	/
24	U70020331	AVT TECNOROLL X LAVAKIT	/	/	/	/



**4 UNIGREEN**  
 MASCHIO GASPARDO S.p.A.  
 Via Marcello, n. 73 - 35011 Campodarsogo (PD) - ITALY

TYPE \_\_\_\_\_  
 (kg) Max. unladen mass \_\_\_\_\_ kg Max. laden mass \_\_\_\_\_ kg  
 Max. netto weight \_\_\_\_\_ kg Max. maxico peso cargado \_\_\_\_\_ kg

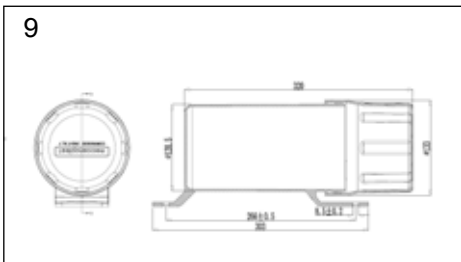
S / N \_\_\_\_\_

(bar) Pmax \_\_\_\_\_ (gpm) PTO \_\_\_\_\_  
 Pmax \_\_\_\_\_ Pmax di tozza \_\_\_\_\_

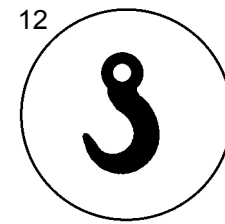
Rated Volume \_\_\_\_\_ Rated Power \_\_\_\_\_  
 Capacidad nominal \_\_\_\_\_ Potencia nominal \_\_\_\_\_

eni CE PRODUCTION YEAR / ANNO DI PRODUZIONE \_\_\_\_\_

F20200724 Made in Italy



**11** LAVARE CON CURA LA MACCHINA DOPO OGNI TRATTAMENTO FACENDO CIRCOLARE ACQUA PULITA PER PULIRE I FILTRI DI ASPIRAZIONE E MANDATA. L'OMMISSIONE DI TALE OPERAZIONE FA DECADERE LA GARANZIA.  
 - PLEASE WASH CAREFULLY THE SPRAYER CIRCUIT USING CLEAN WATER AFTER EACH TREATMENT AND CLEAN THE SUCTION AND DELIVERY FILTERS.  
 THE OMISSION OF THIS OPERATION NULL AND VOIDS ALL WARRANTIES.  
 - DIE MASCHINE IST NACH JEDEM ARBEITSGANG MIT SAUBEREM WASSER ZU SPÜLEN. DER SAUG- UND DER DRUCKFILTER SIND ZU REINIGEN.  
 BEI NICHT BEACHTUNG ERLOBICH DIE GARANTIE.  
 - LAVAR LA MACCHINA CON ACQUA PULITA DOPO OGNI TRATTAMENTO IN FAISANT CIRCOLARE L'ACQUA PULITA PER PULIRE I FILTRI DI ASPIRAZIONE E DI RICOGLIMENTO.  
 L'OMMISSIONE DE CETTE OPERATION FERA DECHOIR N'IMPORTE QUELLE GARANTIE.  
 - LAVAR CUIDADOSAMENTE EL EQUIPO DESPUES DE CADA APLICACION, USANDO AGUA LIMPIA, LIMPIANDO LOS FILTROS DE ASPIRACION Y DE ENVIO.  
 LA OMISSION DE ESTA OPERACION ANULA TODA GARANTIA.  
 - ПОСЛЕ КАЖДОГО ОБРАБОТКИ ТЩАТЕЛЬНО ПРОМОЙТЕ КОМПОНТЫ ОПЫСКИВАТЕЛЯ ЧИСТОЙ ВОДОЙ И ОЧИСТИТЕ ВСАСЫВАЮЩИЕ И ФИЛЬТРЫ ПОДАЧИ. ГАРАНТИЯ НЕ ДЕЙСТВИТЕЛЬНА, ЕСЛИ ЭТА ПРОЦЕДУРА НЕ ДЕЛАЕТСЯ.



Model	Max. unladen mass (kg)	Max. laden mass (kg)	Max. netto weight (kg)	Max. maxico peso cargado (kg)	Rated Volume (l/min)	Rated Power (kW)	Pmax (bar)	Pmax di tozza (bar)	PTO (gpm)	PTO (bar)
CAMPO 44-65	120	180	100	150	100	1.5	4.0	3.0	10	10
CAMPO 44-65 AS	120	180	100	150	100	1.5	4.0	3.0	10	10

**19** **CLORI IDENTIFICATIVI RUBINETTI**  
 Tap identifi cation colours  
 Couleurs pour identif er les robinets  
 Farbe um Die Hähne zu identif zieren  
 Coiores identif cación grifos

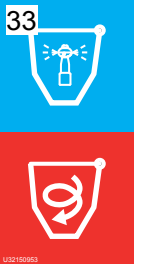
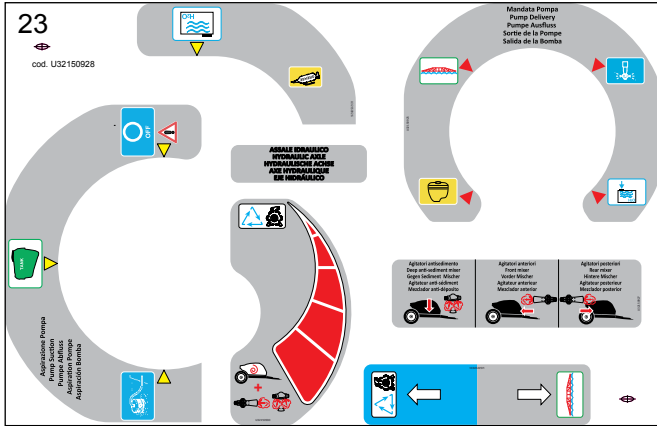
<b>AGITATORE</b> Agitator - Agitateur Rührwerk - Rührer	Red
<b>EIETTORE</b> Ejector - Ejecteur Ejektor - Electeur	Green
<b>PREMISCELATORE</b> Premixer - Pré-mélangeur Vormischer - Premezclador	Yellow
<b>LAVACISTERNA</b> Tank-rinsing - Lave-reservoir Behälterwaschung-düse Limpiador-reservorio	Blue



**Kit adesivi / Stickers kit**

**TAV. 350**

Pos.	Cod.	Descrizione	Description	Description	Benennung	Description
1	U32150528	ADES.NORME DI SICUR.IN PVC	/	/	/	/
2	U32150958	ADESIVO PRESS.GONFIAGGIO RUOTE	/	/	/	/
3	F20030433	ETICH.SERVICE24H UNIGREEN UNIF	/	/	/	/
4	F20200078	MATR. CE MAS-GAS MADE IN ITALY	/	/	/	/
5	U28150007	RIVET. ALL.TT \$ 3.4X11	RIVET.STR.A \$3.2X11 P-AL UNI92	/	/	/
6	U32150585	ADESIVO"ACQUA.PULITA"LAVACIRCU	/	/	/	/
7	U32150527	ADES."LAVAMANI" IN PVC	/	/	/	/
8	U32150586	ADES."GIRI CARDANO"	/	/	/	/
9	U50181261	KIT PORTA DOCUMENTI C22-60	/	/	/	/
10	U32150591	ADES.NON ENTR.IN CISTI.I-GB	/	/	/	/
11	U32150596	ADES."LAV.IL CIRCUITO+FILTRI"	/	/	/	/
12	U32150629	ADES.GANCIO DIAMETRO 40 X PLT	/	/	/	/
13	U32150631	ADESIVO "AVVERTENZE BARRA"	/	/	/	/
14	U32150687	ADES.NON SOST.MACC.E TRATTR	/	/	/	/
15	U32150688	ADES."FLUIDI IN PRESSIONE"	/	/	/	/
16	U32150689	ADESIVO "PERICOL.SCHIACCIAMEN"	/	/	/	/
17	F07011116	OPERATION MANUAL CAMPO 44-65	/	/	/	/
18	U32150703	ADESIVO CARATT.UGELLI ISO	FEATURES ADHESIVE TIPS ISO	/	/	/
19	U32150712	ADES.COLORI RUBINETTI U.GREEN	/	/	/	/
20	U32150752	ADESIVO "MARTINETT.SOLLEVAMEN"	/	/	/	/
21	U32150878	ADES.NON SCARIC.IN AMBIENTE	/	/	/	/



41-42

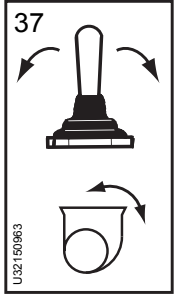


# 27 46 GASPARDO

# 28 GASPARDO



# 45 POMPEO



**44 GASPARDO UNIGREEN**

FRANCE	HOLLANDS
<b>FRANCE</b> Les données techniques sont les mêmes que celles indiquées dans le manuel utilisateur. Les données techniques sont les mêmes que celles indiquées dans le manuel utilisateur. Les données techniques sont les mêmes que celles indiquées dans le manuel utilisateur.	<b>HOLLANDS</b> De technische gegevens zijn gelijk aan de gegevens in de gebruikershandleiding. De technische gegevens zijn gelijk aan de gegevens in de gebruikershandleiding. De technische gegevens zijn gelijk aan de gegevens in de gebruikershandleiding.
<b>GERMANY</b> Die technischen Daten sind identisch mit den Angaben im Benutzerhandbuch. Die technischen Daten sind identisch mit den Angaben im Benutzerhandbuch. Die technischen Daten sind identisch mit den Angaben im Benutzerhandbuch.	<b>DANISH</b> De tekniske data er de samme som de oplyste i brugervejledningen. De tekniske data er de samme som de oplyste i brugervejledningen. De tekniske data er de samme som de oplyste i brugervejledningen.
<b>FRANCAIS</b> Les données techniques sont les mêmes que celles indiquées dans le manuel utilisateur. Les données techniques sont les mêmes que celles indiquées dans le manuel utilisateur. Les données techniques sont les mêmes que celles indiquées dans le manuel utilisateur.	<b>SWEDISH</b> De tekniska uppgifterna är de samma som de som anges i bruksanvisningen. De tekniska uppgifterna är de samma som de som anges i bruksanvisningen. De tekniska uppgifterna är de samma som de som anges i bruksanvisningen.
<b>ITALIANO</b> Le informazioni tecniche sono le stesse riportate nel manuale dell'utente. Le informazioni tecniche sono le stesse riportate nel manuale dell'utente. Le informazioni tecniche sono le stesse riportate nel manuale dell'utente.	<b>WELSH</b> Mae'r wybodaeth technegol hon yn debyg i'r wybodaeth yn y llythyr yrrwr. Mae'r wybodaeth technegol hon yn debyg i'r wybodaeth yn y llythyr yrrwr. Mae'r wybodaeth technegol hon yn debyg i'r wybodaeth yn y llythyr yrrwr.
<b>ESPAÑOL</b> Las características técnicas son las mismas que las indicadas en el manual del usuario. Las características técnicas son las mismas que las indicadas en el manual del usuario. Las características técnicas son las mismas que las indicadas en el manual del usuario.	<b>POLISH</b> Dane techniczne są takie same jak dane podane w instrukcji obsługi. Dane techniczne są takie same jak dane podane w instrukcji obsługi. Dane techniczne są takie same jak dane podane w instrukcji obsługi.

**FILE** **DATA** **OPERATOR** **DATE**

# 38 47 UNIGREEN

# 39 UNIGREEN

**Kit adesivi / Stickers kit**

TAV. 360

Pos.	Cod.	Descrizione	Description	Description	Benennung	Description
22	U32150961	ETICH.NO TOCCARE RUOTA C/BARRA	/	/	/	/
23	U32150928	K.ADESIVI PANN. C42-60	/	/	/	/
24	U32150893	ADESIVO CAMPO T22,5 210X60	/	/	/	/
25	F05150179	SACCHETTO PE TRAS.270X345X0,09	/	/	/	/
26	U32150877	ADESIVO "FILTRO GALLEGGIANTE"	/	/	/	/
27	G19706150	DECAL.GASPARDO H125	/	/	/	/
28	G19706130	DECAL.GASPARDO H75	DECAL.GASPARDO H75 481X91	/	/	/
29	U32150751	ADESIV."PERIC.SCHIACC.LATERAL"	/	/	/	/
30	U32150893	ADESIVO CAMPO T22,5 210X60	/	/	/	/
31	U32150526	ADESIVO "IMPUGNARE" IN PVC	/	/	/	/
32	U32150690	ADESIVO "INGRASSARE"	/	/	/	/
33	U32150953	ADESIVO RUBINETTI GREENMIX	/	/	/	/
34	U32150952	ADESIV.AVVERTENZE GENER.PREMIX	/	/	/	/
35	U32150832	ADES.3VIE CIST-0-LP83 GREENMIX	/	/	/	/
36	U32150630	ADESIVO "AVVERTENZE GIRANTE"	/	/	/	/
37	U32150963	ADESIVO PISTONE INCLIN.MANICA	/	/	/	/
38	U32150851	ADESIVO UNIGREEN T125 802X152	/	/	/	/
39	U32150849	ADESIVO UNIGREEN T75 481X91	/	/	/	/
40	U32150569	ADES.CERTIFICATO DI COLLAUDO	/	/	/	/
41	U32150844	TARGH.LIV.SECCO CAMPO 42S	/	/	/	/
42	U32150924	TARGH.LIV.SECCO CAMP.60S(2012)	/	/	/	/
43	U50300174	QUICK CHECK CARAF.INDIC.SPAND	QUICK CHECK CARAF.INDIC.SPAND.	/	/	/
44	U16100030	FOGL.DICHIAR.CONF CE MACCHI	/	/	/	/
45	G19706901	ADESIVO POMPEO T22,5 210X60	/	/	/	/
46	G19706100	DECAL.GASPARDO H25 X PLA 160X30	/	/	/	/
47	U32150846	ADESIVO UNIGREEN T25 160X30	/	/	/	/
48	U32150893	ADESIVO CAMPO T22,5 210X60	/	/	/	/







**USATE SEMPRE RICAMBI ORIGINALI  
 ALWAYS USE ORIGINAL SPARE PARTS  
 IMMER DIE ORIGINAL-ERSATZTEILE VERWENDEN  
 EMPLOYEZ TOUJOURS LES PIECES DE RECHANGE ORIGINALES  
 UTILIZAR SIEMPRE REPUESTOS ORIGINALES**



**GASPARDO UNIGREEN**

**Servizio Assistenza Tecnica - After Sales Service**

**+39 0421 774956**

**Servizio Ricambi - Spare Parts Service**

**+39 0421 762895**



**GASPARDO UNIGREEN**

**MASCHIO GASPARDO SpA**  
**Registered Office and Production Plant**  
 Via Marcello, 73 - 35011  
 Campodarsego (Padova) - Italy  
 Tel. +39 049 9289810  
 Fax +39 049 9289900  
 info@maschio.com  
 www.maschionet.com

**MASCHIO GASPARDO UNIGREEN SpA**  
**Production Plant**  
 Viale Pordenone, C3 - 30026  
 Portogruaro (VE) - Italy  
 Tel. +39 0421 762811  
 Fax +39 0421 762825  
 info@unigreen-spa.com

**MASCHIO GASPARDO UNIGREEN SpA**  
**Production Plant**  
 Via G. Rinaldi, 105 - 42124  
 Reggio Emilia (RE) - Italy  
 Tel. +39 0522369811  
 Fax +39 0522369898  
 info@unigreen-spa.com

**MASCHIO FRANCE Sarl**  
 1 rue Denis Papin ZA  
 F - 45240 La Ferte St. Aubin  
 France  
 Tel. +33 (0) 2.38.64.12.12  
 Fax +33 (0) 2.38.64.66.79  
 info@maschio.fr

**000 МАСКИО-ГАСПАРДО РУССИЯ**  
 Улица Пушкина, 117 Б  
 404126 Волжский  
 Волгоградская область  
 Тел. +7 (8443) 203100  
 факс. +7 (8443) 203101  
 info@maschio.ru

**MASCHIO GASPARDO SpA**  
**Production Plant**  
 Via Mussons, 7 - 33075  
 Morsano al Tagliamento (PN) - Italy  
 Tel. +39 0434 695410  
 Fax +39 0434 695425  
 info@gaspardo.com

**MASCHIO DEUTSCHLAND GMBH**  
 Äußere Nürnberger Straße 5  
 D - 91177 Thalmässing - Deutschland  
 Tel. +49 (0) 9173 79000  
 Fax +49 (0) 9173 790079  
 dialog@maschio.de  
 www.maschionet.de

**MASCHIO-GASPARDO USA Inc**  
 120 North Scott Park Road  
 Eldridge, IA 52748 - USA  
 Ph. +1 563 2859937  
 Fax +1 563 2859938  
 info@maschio.us

**MASCHIO-GASPARDO ROMANIA S.R.L.**  
**Strada Înfrăţirii, F.N.**  
 315100 Chisineu-Cris (Arad) -România  
 Tel. +40 257 307030  
 Fax +40 257 307040  
 info@maschio.ro

**MASCHIO IBERICA S.L.**  
**MASCHIO-GASPARDO POLAND**  
**MASCHIO-GASPARDO UCRAINA**  
**GASPARDO-MASCHIO TURCHIA**  
**MASCHIO-GASPARDO CINA**  
**MASCHIO-GASPARDO INDIA**  
**MASCHIO-GASPARDO KOREA**