



## ESPLOSI RICAMBI SPARE PARTS

# ERGO - VR. GEOLINE

---

UNIGREEN® S.p.A.  
via Rinaldi, 105 - 42124 REGGIO EMILIA - ITALY  
Tel. (0039) 0522 369811 - Fax. (0039) 0522 369898  
e-mail: [info@unigreen-spa.com](mailto:info@unigreen-spa.com) - [www.unigreen-spa.com](http://www.unigreen-spa.com)  
member of the YAMA group

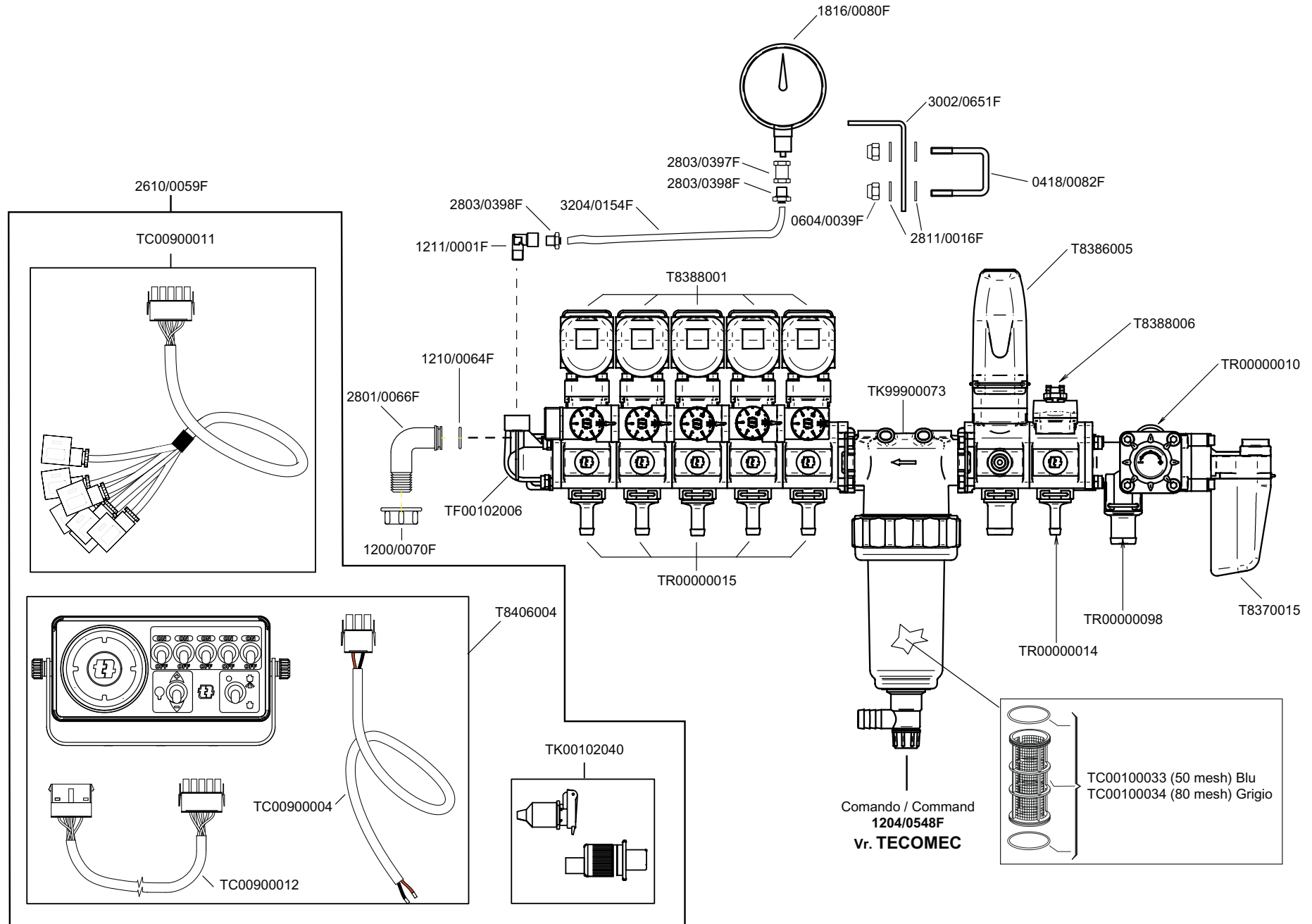


UNACOMA MEMBER

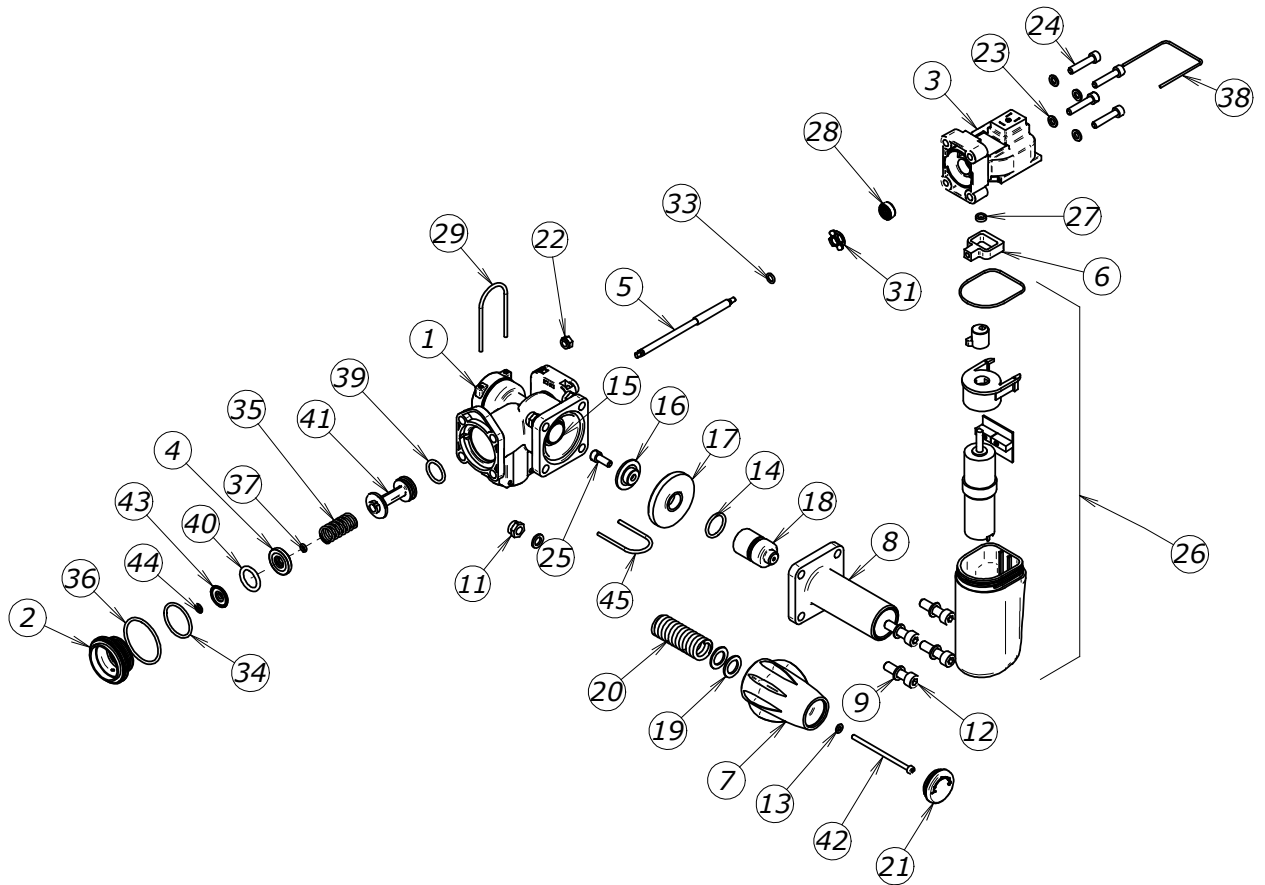
---

## Sommario

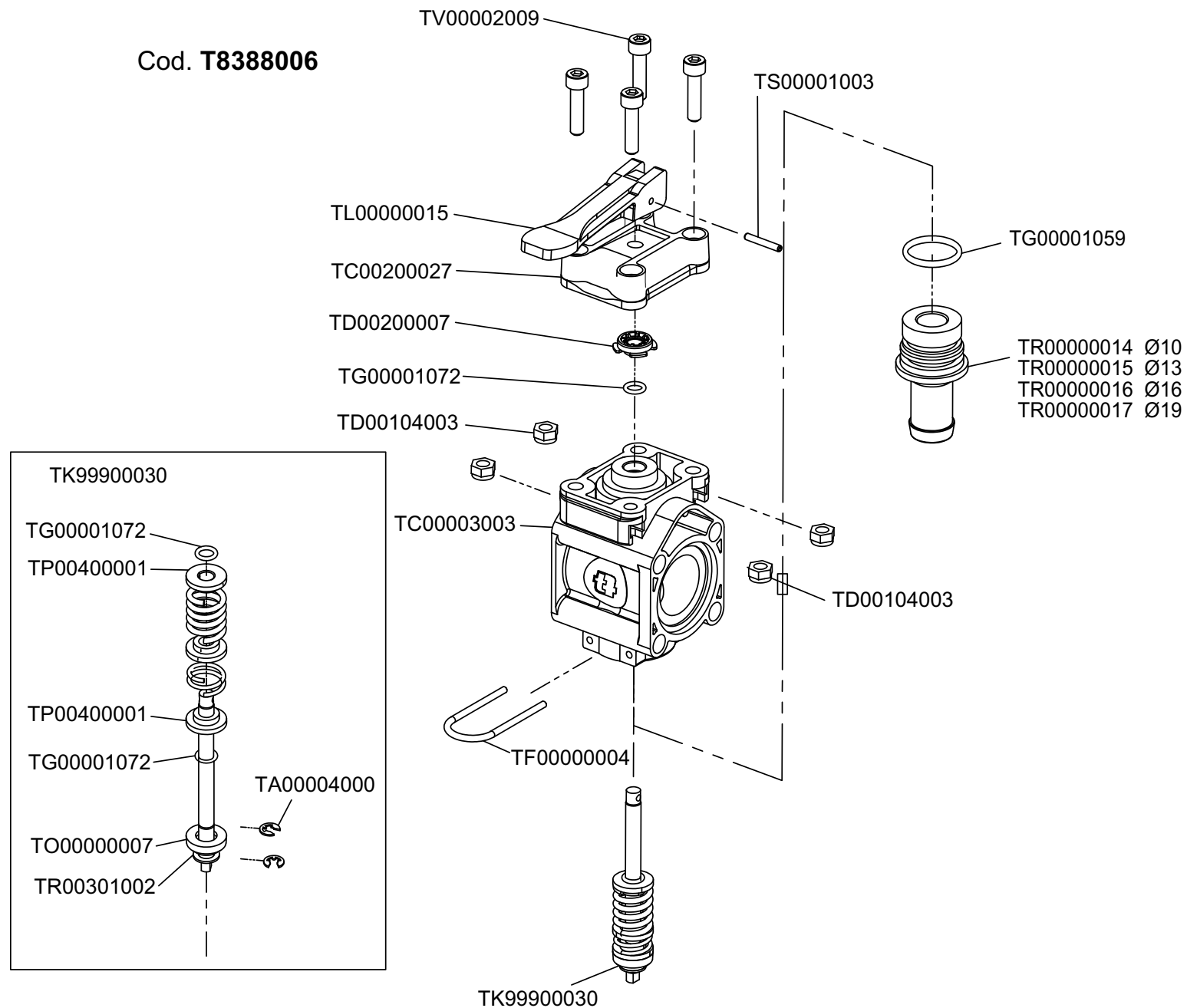
ERGO 5 Vie Vr. GEOLINE con quadro controllo / Pressure regulator with control panel.....	3
T8370015 Valvola comando generale 20 bar Vgme4 / Main control valve.....	4
T8388006 Valvola ON/OFF sezione barra NRG051 / Manual ON/OFF section valve .....	5
Filtro in linea con spurgo GCP Geoline / Flanged line filters with drain valve .....	6
T8386005 VALVOLA VOLUMETRICA NRG024 28 SEC / VOLUMETRIC VALVE .....	7
T8388001 Valvola elet.3V sezione barra NRG011 / 3 way electric section valve for boom..	8
Collettori e kit assemb.valvole GCP GEOLINE / Manifolds and assembling kit electric valve .....	9
Flange e Raccordi GCP Geoline / Adapters and nipples .....	10



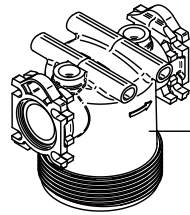
T8370015 VALVOLA COMANDO GENERALE		
Pos	Codice	Descrizione
1	TC00004014	CORPO VALVOLA GEN. 180 L/MIN
2	TS00301010	SEDE OTTURATORE MANDATA VALV 180L/M
3	TC00200019	COPERCHIO VALVOLA DI SEZIONE ELETT.
4	TO00000028	OTTURATORE POST.MAND. VALV 180L/M
5	TA00100023	ASTA COMANDO GENERALE 180 L/MIN
6	TC01100000	CASSETTO VALVOLA NRG001 ELETTRICA
7	TP00100018	POMOLO ORION VERDE
8	TC00000069	CORPO VALVOLA DI REGOLAZIONE
9	TR00301009	ROND.TRANC.8.4 X14 X
11	TD00104006	DEM METAL TRIBLOCK M8 8G ZNB
12	TV00002020	VTCEI UNI 5931 M8X30 INOX
13	TR00301016	ROND.TRANC. 4.3 X9 X 0.8 UNI-6592
14	TG00001018	GUARN. OR 3081 2.62 X 20.24 EPDM
15	TS00301000	SEDE REGOLATORE PRESS.START
16	TO00000022	OTTURATORE VA. PRESS. ORION
17	TM00100003	MEMBR.REG.PRESS. VITON EVOLUTION/
18	TP01100001	PATTINO VALV. REG. ORION
19	TR00301019	ROD.TRANC. 0 14X22X1.5 OT
20	TM00202001	MOLLA PRESS.C72 F3.7 14.6X22X59 ZNB
21	TT00000027	TAPPO NERO PER POMOLO REG.PRESS.
22	T7104001	DE AUTOB 6S M6 UNI7474 ZNB
23	TR00301010	RONDELLA 6.4X11X1.6 DIN 433 INOX
24	TV00002015	VITE VTCEI , 6 X30 .
25	TV00002025	VTCEI M6X16 UNI 5931 INOX
26	TK00102041	KIT RICAMBIO MOTORE VALVOLA NRG 001-NRG 011
27	TB00400000	BOCCOLA PERNO MOTORIDUTTORE
28	TA00007001	ANELLO TENUTA RADIALE 7X16X7 VITON
29	TF00000002	FORCELLA PER RACC.RIF.START
31	TD00200007	DISTANZIALE CENTRAGGIO COPERCHIO VALVOLA
33	TG00001072	GUARN. OR 106 1.78 X 6.75 VITON
34	TG00001174	GUARN.O-RING 312.5X31 VITON
35	TM00201028	MOLLA DI RITEGNO VALVOLA GEN.180L/1
36	TG00001033	GUARN. OR 3168 2.62 X 42.52 VITON
37	TG00001001	GUARN. OR 2018 1.78 X 4.48
38	TF00000008	FORCELLA COPERCHIO VALV. SEZ. NRG
39	TG00001094	GUARN. O-RING 3075 2.62 X 18.72 VITON
40	TG00001171	GUARN. O-RING 4075 3.53 X 18.64 VITON
41	TO00000027	OTTURATORE LATOSCARICO VALV 180L/M
42	TV00002017	VITE VTCEI M4X75 UNI5931 8.8
43	TO00000029	OTTURATORE ANT.MAND. VALV 180L/M
44	TA00004000	Anelli elastici radiali , UNI 7434 4
45	TF00000017	FORCELLA PER RACC.INGR. VGME2



Cod. **T8388006**



Cod. T8125000	50M	150 I/1'
Cod. T8125001	80M	150 I/1'
Cod. <b>TK99900073</b>	50M	180 I/1'
Cod. T8125002	50M	210 I/1'
Cod. <b>T8125003</b>	80M	210 I/1'
Cod. <b>TK99900074</b>	80M	210 I/1'



TC00002049 150 I/1  
 TC00002050 210 I/1  
 TC00002073 per **TK99900073 - TK99900074**

TG00001024 EPDM 150 I/1  
 TG00001025 VITON 150 I/1  
 TG00001046 EPDM 180-210 I/1  
 TG00001047 VITON 180-210 I/1

TC00100004 32M white	150 I/1	TC00100032 32M white	180-210 I/1
TC00100005 50M blue	150 I/1	TC00100033 52M blue	180-210 I/1
TC00100006 80M gray	150 I/1	TC00100034 80M gray	180-210 I/1
TC00100007 100M red	150 I/1	TC00100035 100M red	180-210 I/1

TG00001024 EPDM 150 I/1  
 TG00001025 VITON 150 I/1  
 TG00001046 EPDM 180-210 I/1  
 TG00001047 VITON 180-210 I/1

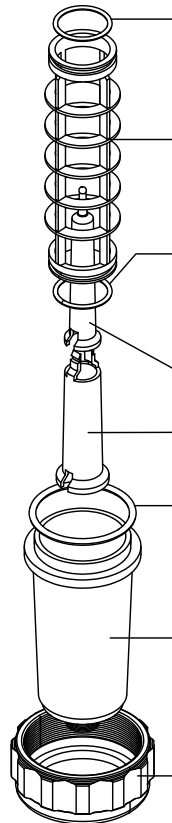
TC00000023

TC00000023 150 I/1  
 TC00000024 180-210 I/1

TG00001050 150 I/1  
 TG00001083 180-210 I/1

TC00201003 150 I/1  
 TC00201017 180-210 I/1

TG00101000 150 I/1  
 TG00101004 180-210 I/1



TP00001000

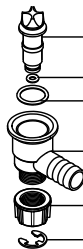
TG00001092

TG00001020

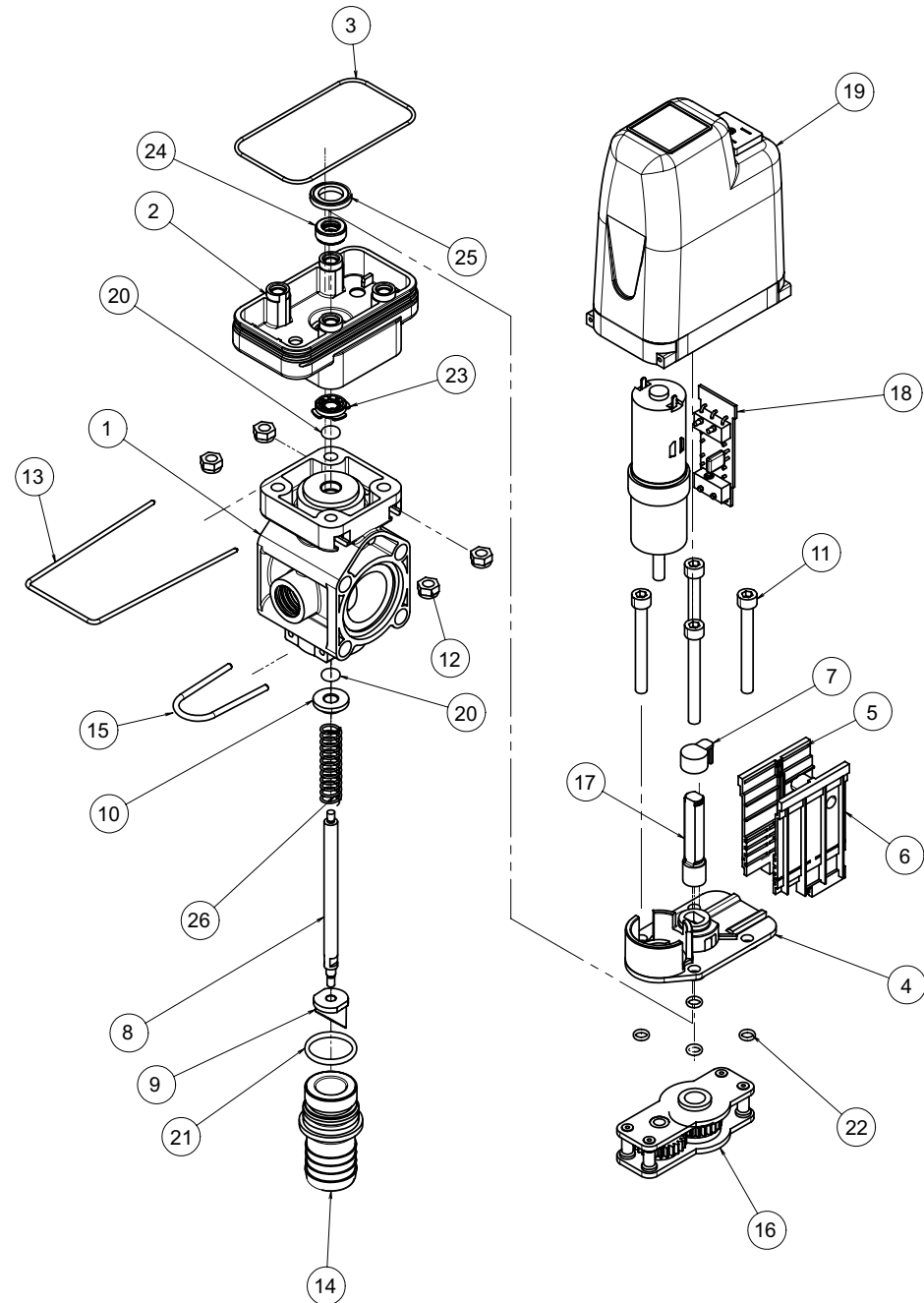
TC00000025

T8040153

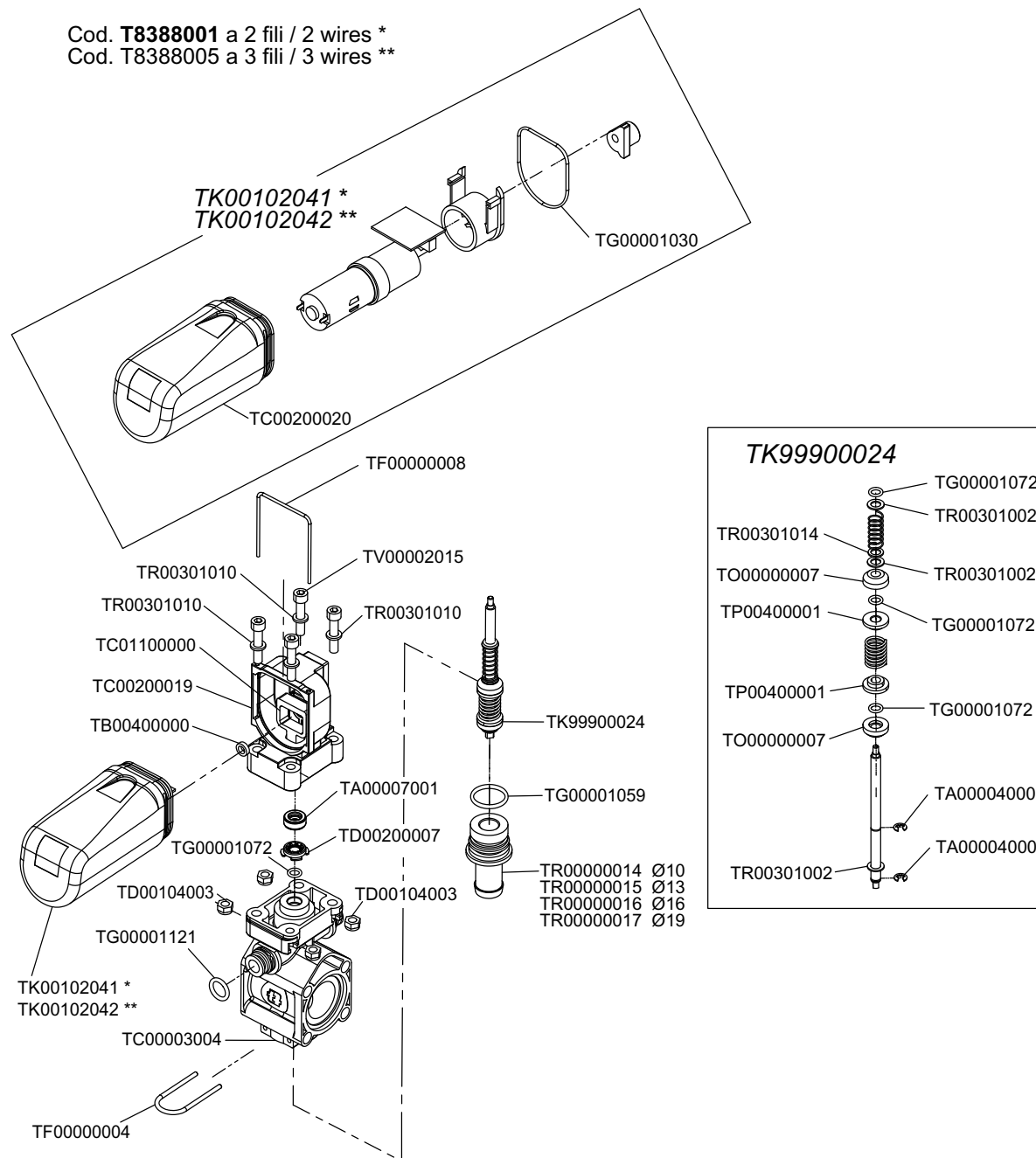
TA00004001



T8386005 NRG024 VALVOLA VOLUMETRICA 28 SEC			
Pos	Codice	Descrizione	Quantità
1	TC00004002	CORPO VALVOLA DI REG. VOLUM. NRG020	1
2	TS00400007	SUPPORTO RIDUTTORE VAL. VOL. NRG020	1
3	TG00001070	GUARN.O-RING 3231 2.62X58.42 VITON	1
4	TS00400008	SUPPORTO MOTORE VALVOLA . VOLUM . E	1
5	TS00400006	SUPPORTO MASCHIO SCHEDA ELE. NRG020	1
6	TS00400005	SUPPORTO FEMMINA SCHEDA ELE. NRG020	1
7	TL00000010	LEVA PER FINECORSA VALVOLA NRG 024	1
8	TA00100013	ASTA VALVOLA VOLUM. NRG020	1
9	T000000015	OTTURATORE VALV. REG. VOLUM. NRG 024	1
10	TP00400001	PREMIMOLLA RUBINETTO START	1
11	TV00002010	VITE VTCEI M6X55 UNI 5931 INOX	4
12	T7104001	DEAUTOB.6SM6 UNI7474 ZNB	4
13	TF00000009	FORCELLA COPERCHIO MOTORE NRG020	1
14	TR00000019	RACCOR. PTG USCITA START D 25 DI 16	1
15	TF00000004	FORCELLA PER RUBINETTO START	1
16	TR00500005	RIDUTTORE SOLZI 1:1 VRP	1
17	TV00000002	VITE DI MANOVRA VALV. VOLUM. NRG020	1
18	TS00701001	SCHEDA ELETTRICA COMPLETA VALV. VOLUM. NRG020	1
19	TC00200021	COPERCHIO MOTORE VALV. VOLUM. NRG020	1
20	TG00001072	GUARN.O-RING 106 1.78X6.75 VITON	2
21	TG00001059	GUARN.O-RING 130 2.62X22.22 VITON	1
22	TG00001147	GUARN.O-RING 2021 1.78X5.28 VITON	4
23	TD00200007	DISTANZIALE CENTRAGGIO COPERCHIO VALVOLA	1
24	TA00007001	ANELLO TENUTA RADIALE 7X16X7 VITON	1
25	TD00200010	DISTANZIALE VALV. EL. VOLUMETRICA E REGOLATRICE	1
26	TM00201007	MOLLA CIL. INOX FI. 1 D8.9X11. 1X47.1	1



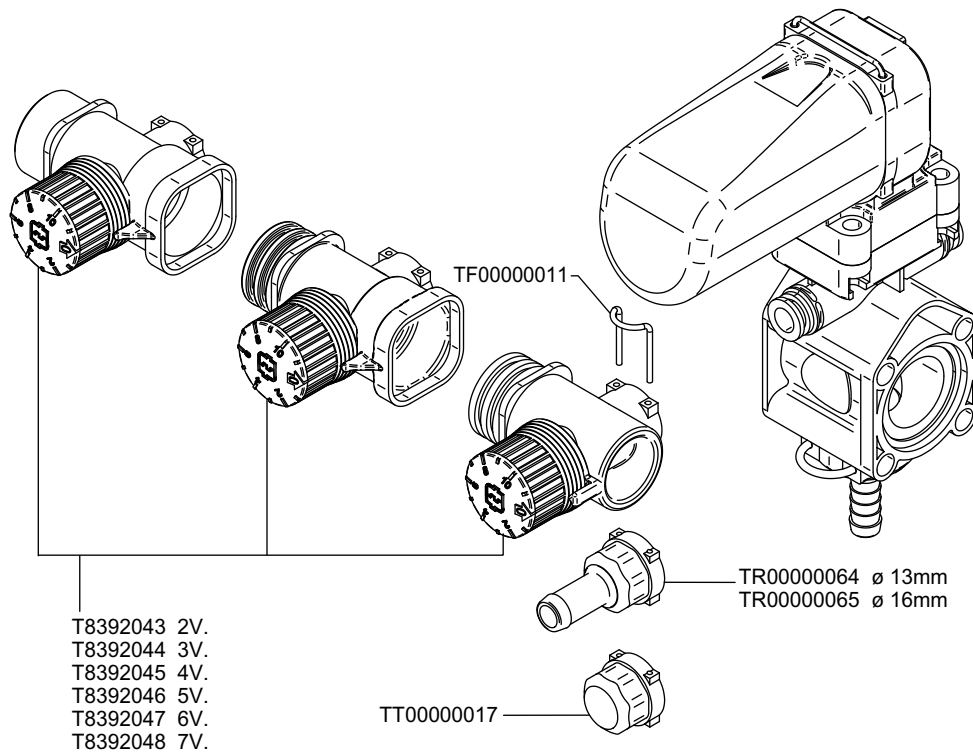
Cod. T8388001 a 2 fili / 2 wires \*  
 Cod. T8388005 a 3 fili / 3 wires \*\*



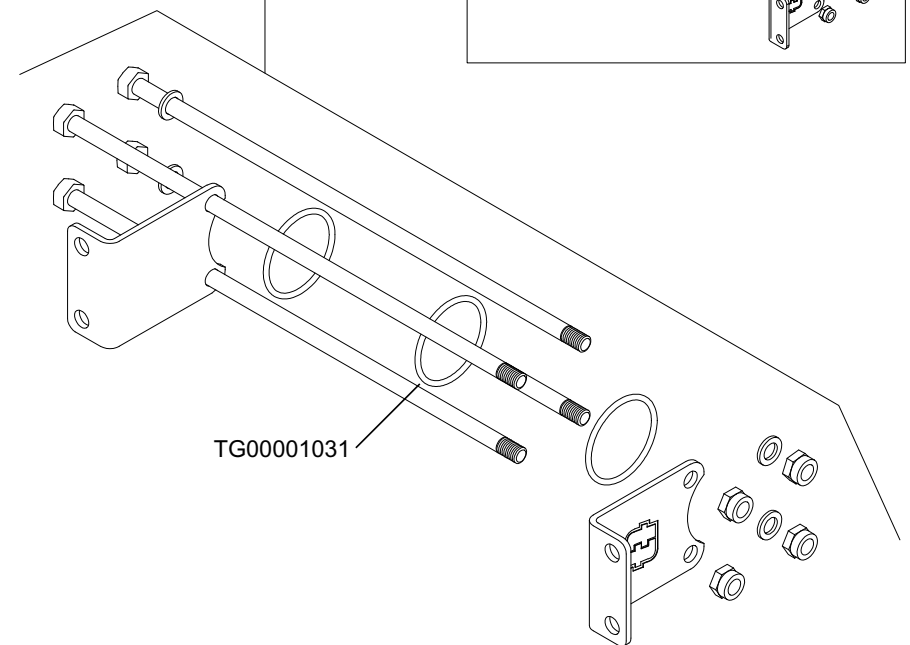
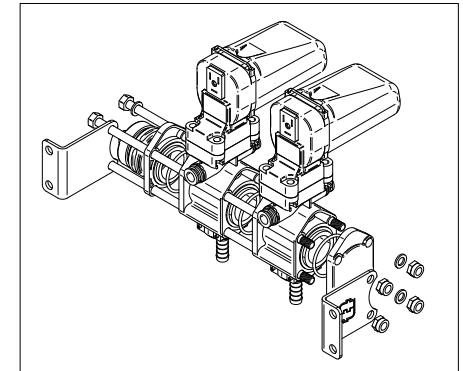


**COLLETTORI / MANIFOLDS**

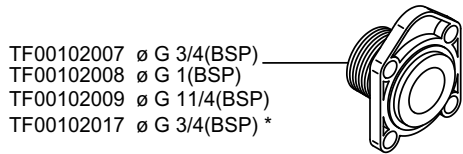
**KIT ASSEMBLAGGIO / ASSEMBLING KIT**



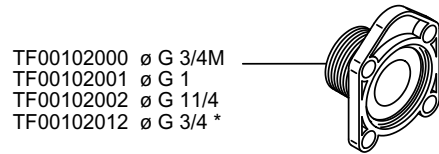
- T8392034 1V.
- T8392035 2V.
- T8392036 3V.
- T8392037 4V.
- T8392038 5V.
- T8392039 6V.
- T8392040 7V.
- T8392041 8V.
- T8392042 9V.



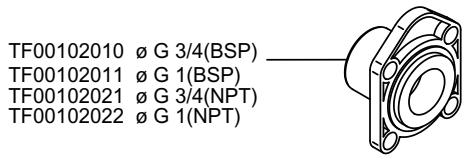
**FLANGE / ADAPTERS**



TF00102007 ø G 3/4(BSP)  
 TF00102008 ø G 1(BSP)  
 TF00102009 ø G 1 1/4(BSP)  
 TF00102017 ø G 3/4(BSP) \*



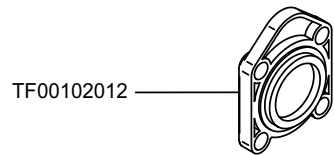
TF00102000 ø G 3/4M  
 TF00102001 ø G 1  
 TF00102002 ø G 1 1/4  
 TF00102012 ø G 3/4 \*



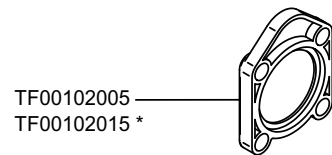
TF00102010 ø G 3/4(BSP)  
 TF00102011 ø G 1(BSP)  
 TF00102021 ø G 3/4(NPT)  
 TF00102022 ø G 1(NPT)



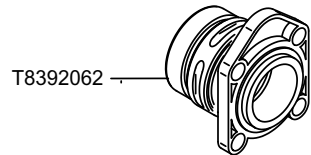
TF00102003 ø G 3/4(BSP)  
 TF00102004 ø G 1(BSP)  
 TF00102019 ø G 3/4(NPT)  
 TF00102020 ø G 1(NPT)



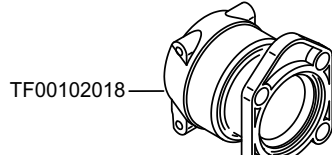
TF00102012



TF00102005  
 TF00102015 \*

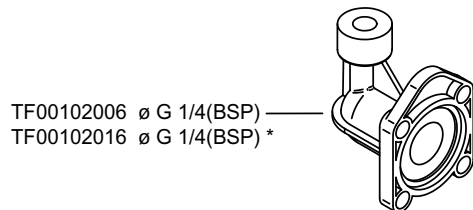


T8392062



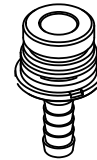
TF00102018

\* = Ottone / Brass



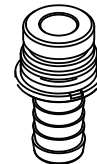
TF00102006 ø G 1/4(BSP)  
 TF00102016 ø G 1/4(BSP) \*

**RACCORDI / NIPPLES**



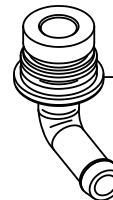
TR00000014 ø10mm  
 TR00000015 ø13mm  
 TR00000016 ø16mm  
 TR00000017 ø19mm

Valvole di sezione  
 Section valves



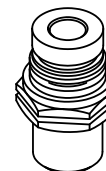
TR00000063 øe13mm øi10mm  
 TR00000017 øe19mm øi14mm  
 TR00000018 øe25mm øi14mm  
 TR00000019 øe25mm øi16mm

Valvole volumetriche  
 Volumetric valves



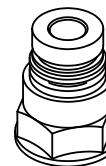
TR00000082 ø13mm

Valvole di sezione  
 Section valves



TR00000083 ø G 3/4M  
 TR00000066 ø G 1/2BSP

Valvole di sezione  
 Section valves



TR00000084 ø G 3/4F  
 TR00000085 ø NPT 3/4F

Valvole di sezione  
 Section valves



TT00000018 NRG 08\_

**unigreen**<sup>®</sup>  
S.p.A.  
CROP PROTECTION



UNIGREEN<sup>®</sup> S.p.A.

via Rinaldi, 105 - 42124 REGGIO EMILIA - ITALY

Tel. (0039) 0522 369811 - Fax. (0039) 0522 369898

e-mail [info@unigreen-spa.com](mailto:info@unigreen-spa.com) - internet [www.unigreen-spa.com](http://www.unigreen-spa.com)

member of the YAMA group