



ESPLOSI RICAMBI SPARE PARTS

REMO - VR. GEOLINE

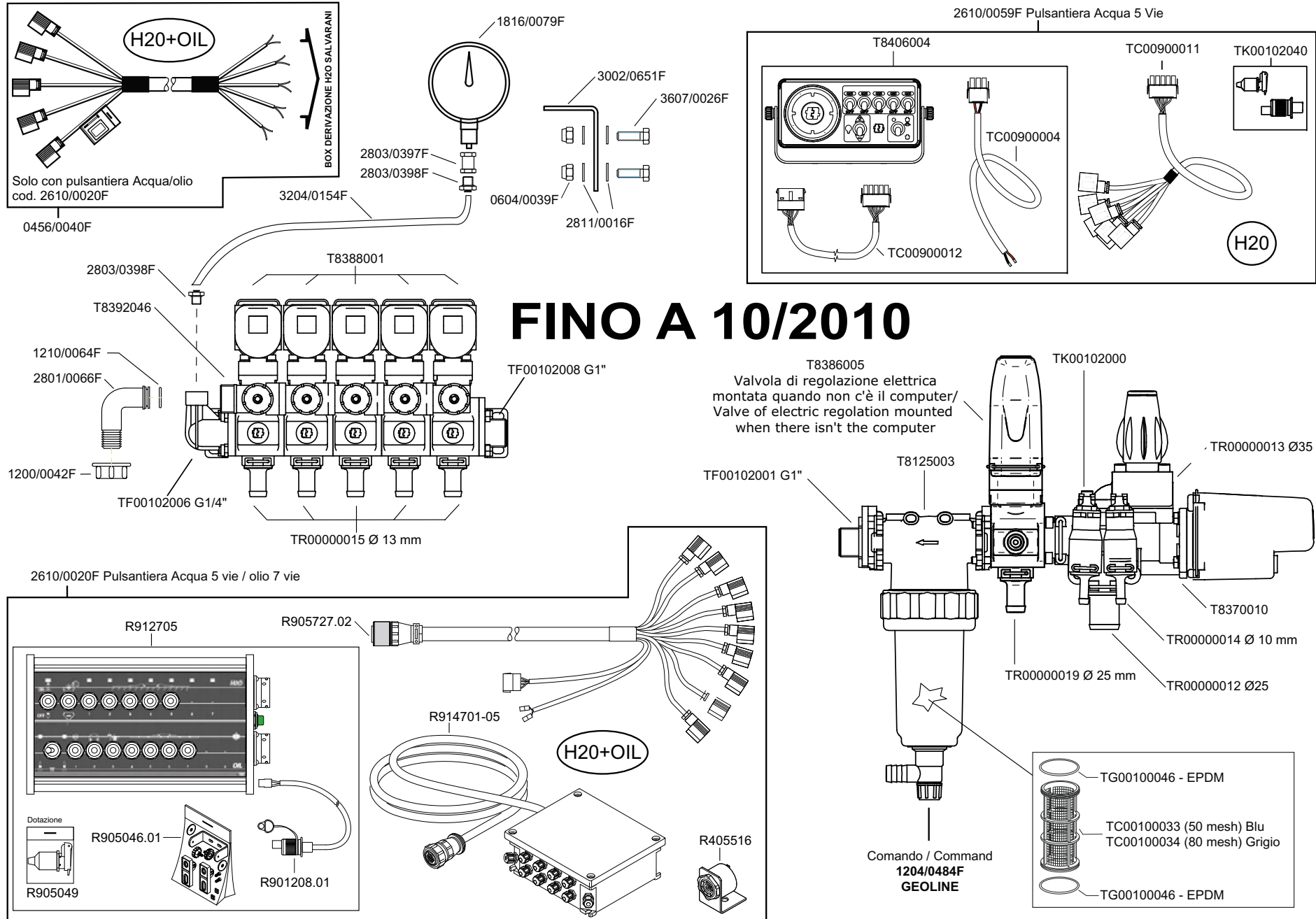
UNIGREEN® S.p.A.
via Rinaldi, 105 - 42124 REGGIO EMILIA - ITALY
Tel. (0039) 0522 369811 - Fax. (0039) 0522 369898
e-mail: info@unigreen-spa.com - www.unigreen-spa.com
member of the YAMA group

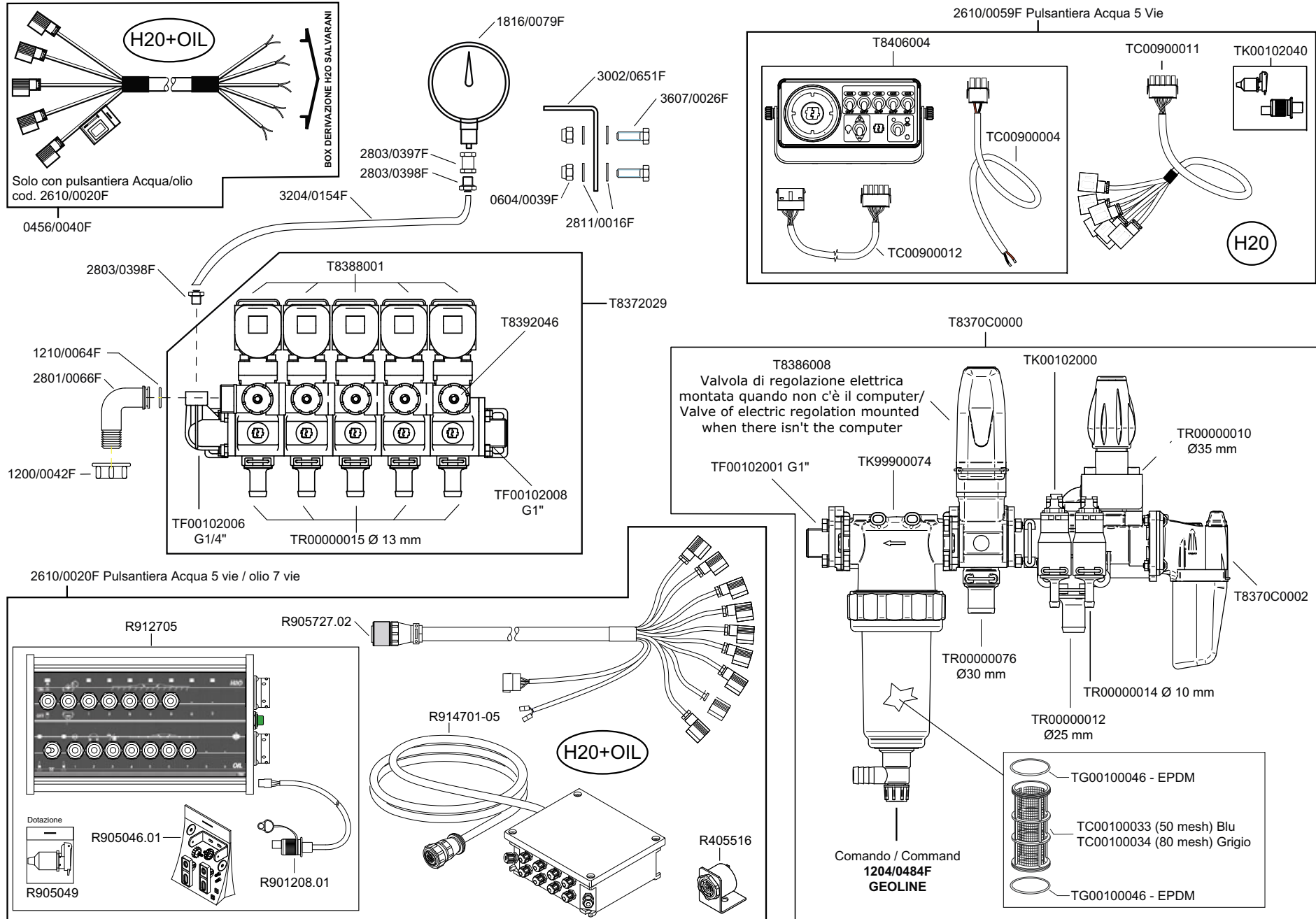


UNACOMA MEMBER

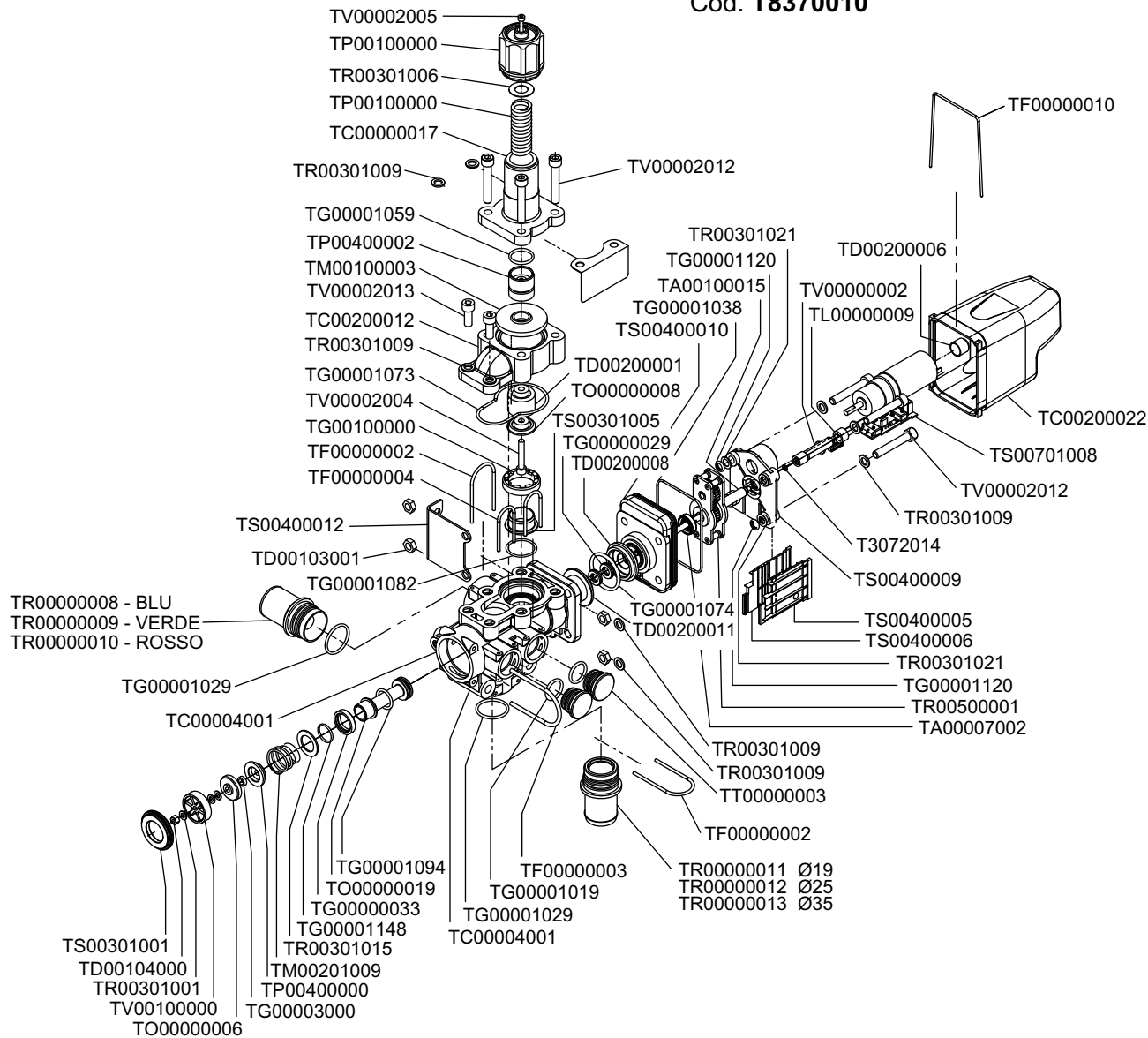
Sommario

GCP elettrico REMO 5V Trainati+pulsant. / Pressure regulator trailed + control panel.....	3
GCP elettrico REMO 5V Trainati+pulsant. / Pressure regulator trailed + control panel.....	4
T8370010 Valvola comando generale VGME1 / Electric main control valve	5
T8370C0002 Valvola generale VGME300 20 bar / Valve general	6
Filtro in linea con spurgo GCP Geoline / Flanged line filters with drain valve	7
T8386005 VALVOLA VOLUMETRICA NRG024 28 SEC / VOLUMETRIC VALVE	8
T8386008 VALVOLA VOLUMETRICA NRG020 14 SEC / VOLUMETRIC VALVE	9
T8388001 Valvola elet.3V sezione barra NRG011 / 3 way electric section valve for boom.....	10
Collettori e kit assemb.valvole GCP GEOLINE / Manifolds and assembling kit electric valve	11
Flange e Raccordi GCP Geoline / Adapters and nipples	12

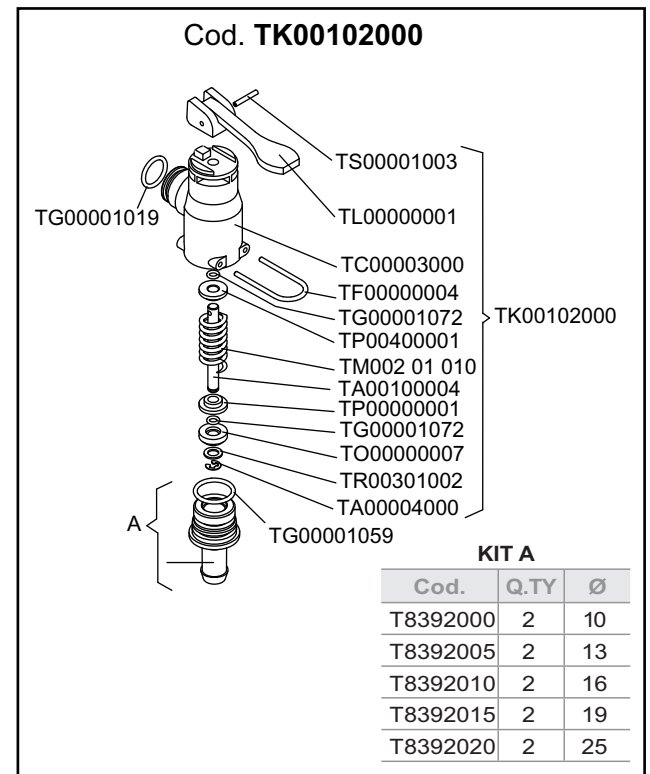


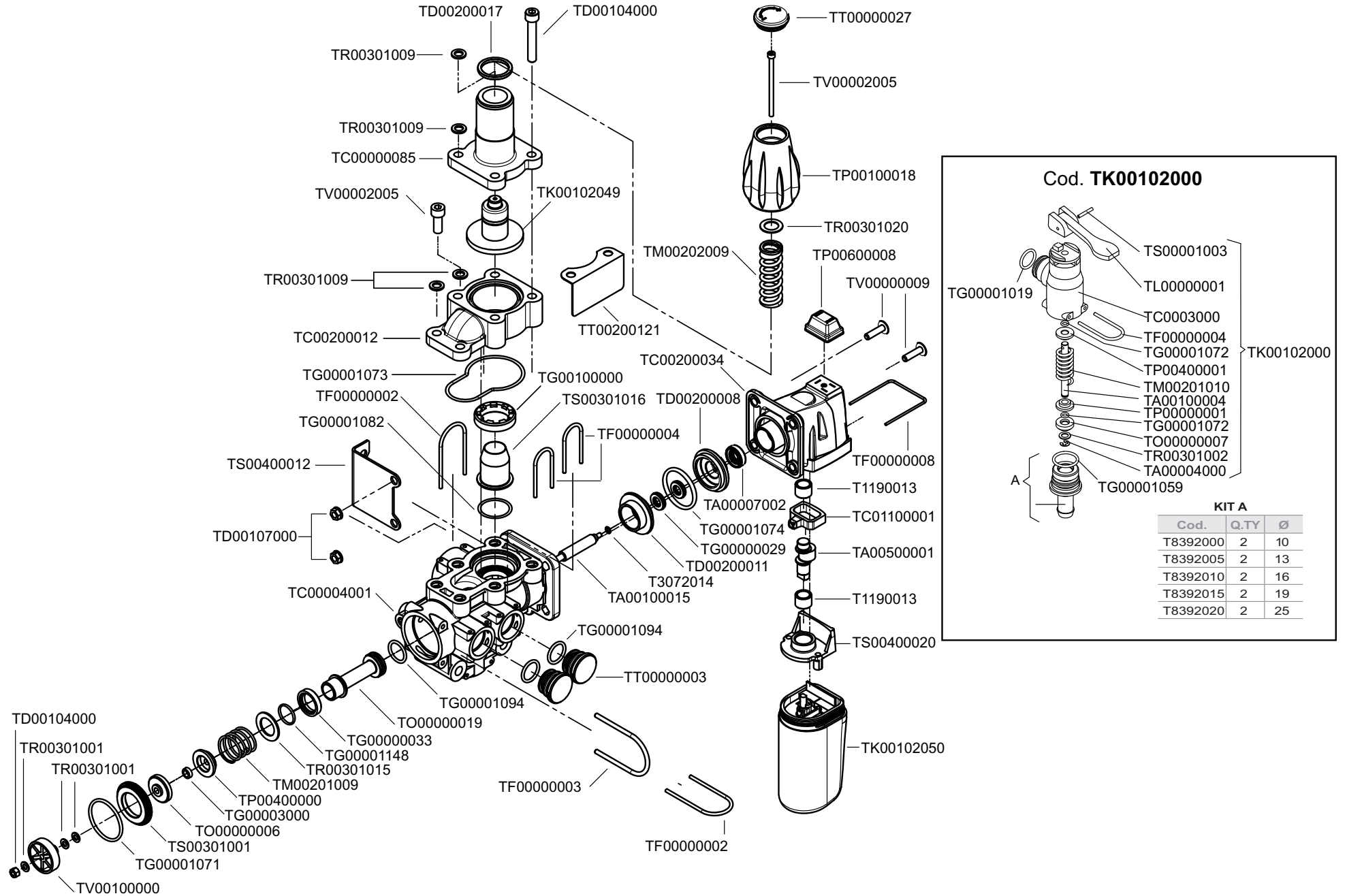


Cod. T8370010

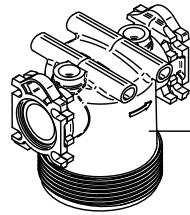


Cod. TK00102000





Cod. T8125000	50M	150 I/1'
Cod. T8125001	80M	150 I/1'
Cod. TK99900073	50M	180 I/1'
Cod. T8125002	50M	210 I/1'
Cod. T8125003	80M	210 I/1'
Cod. TK99900074	80M	210 I/1'



TC00002049 150 I/1
 TC00002050 210 I/1
 TC00002073 per **TK99900073 - TK99900074**

TG00001024 EPDM 150 I/1
 TG00001025 VITON 150 I/1
 TG00001046 EPDM 180-210 I/1
 TG00001047 VITON 180-210 I/1

TC00100004 32M white	150 I/1	TC00100032 32M white	180-210 I/1
TC00100005 50M blue	150 I/1	TC00100033 52M blue	180-210 I/1
TC00100006 80M gray	150 I/1	TC00100034 80M gray	180-210 I/1
TC00100007 100M red	150 I/1	TC00100035 100M red	180-210 I/1

TG00001024 EPDM 150 I/1
 TG00001025 VITON 150 I/1
 TG00001046 EPDM 180-210 I/1
 TG00001047 VITON 180-210 I/1

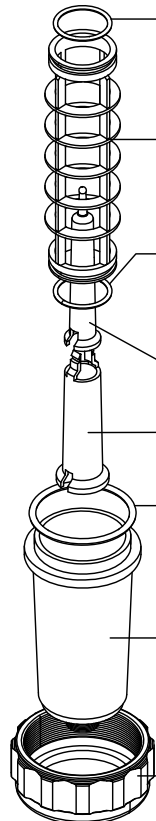
TC00000023

TC00000023 150 I/1
 TC00000024 180-210 I/1

TG00001050 150 I/1
 TG00001083 180-210 I/1

TC00201003 150 I/1
 TC00201017 180-210 I/1

TG00101000 150 I/1
 TG00101004 180-210 I/1



TP00001000

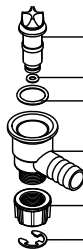
TG00001092

TG00001020

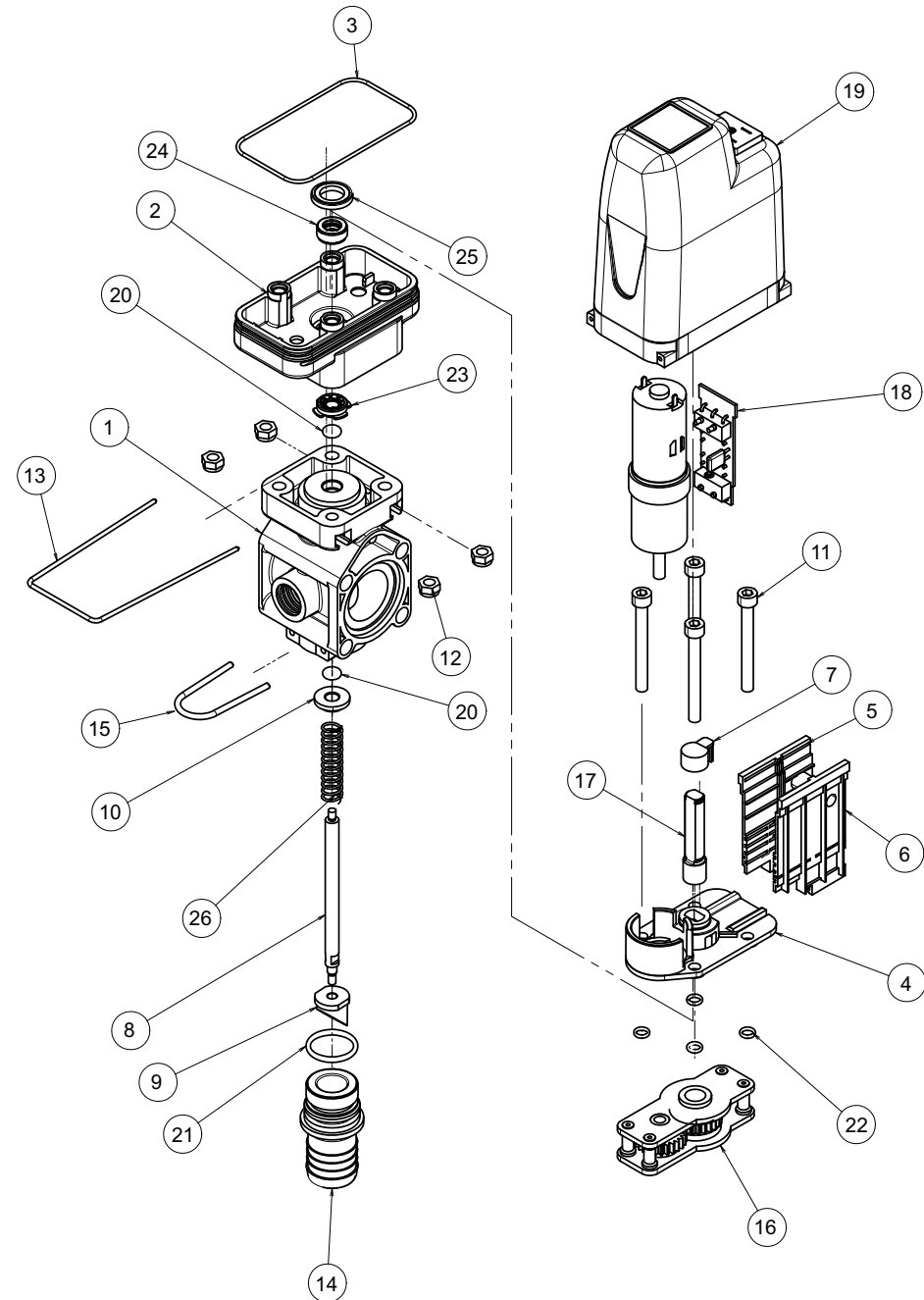
TC00000025

T8040153

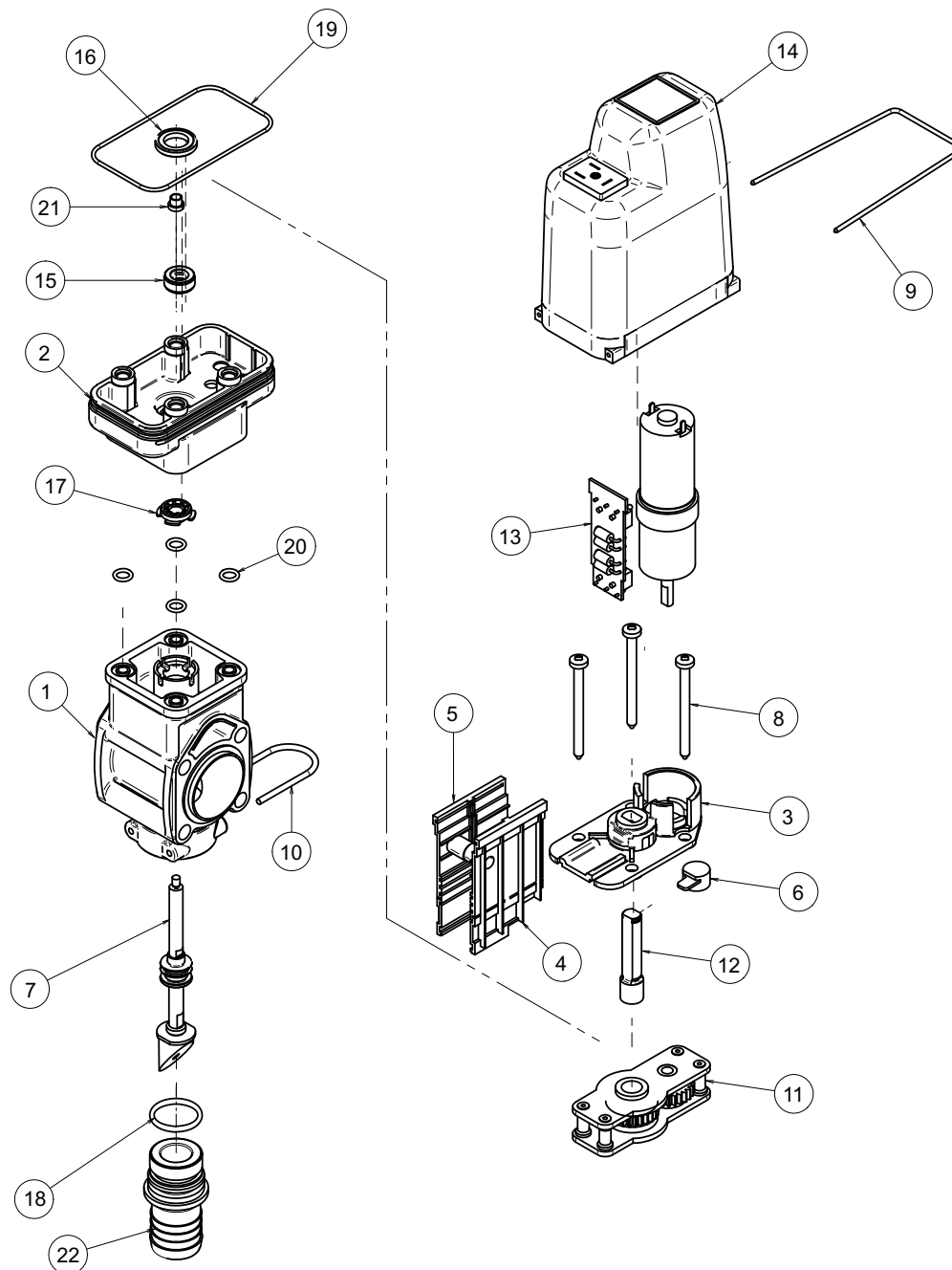
TA00004001



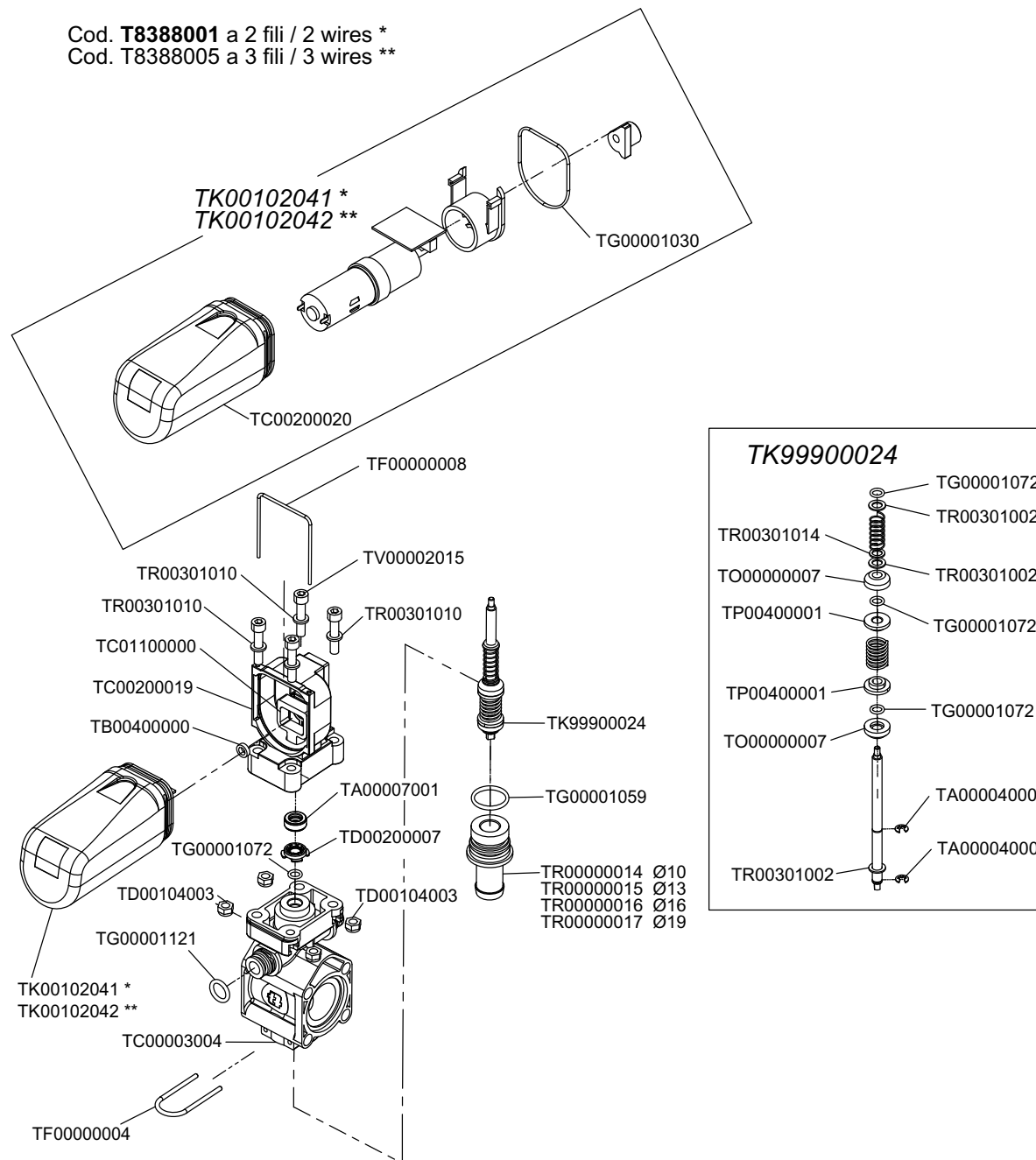
T8386005 NRG024 VALVOLA VOLUMETRICA 28 SEC			
Pos	Codice	Descrizione	Quantità
1	TC00004002	CORPO VALVOLA DI REG. VOLUM. NRG020	1
2	TS00400007	SUPPORTO RIDUTTORE VAL. VOL. NRG020	1
3	TG00001070	GUARN.O-RING 3231 2.62X58.42 VITON	1
4	TS00400008	SUPPORTO MOTORE VALVOLA . VOLUM . E	1
5	TS00400006	SUPPORTO MASCHIO SCHEDA ELE. NRG020	1
6	TS00400005	SUPPORTO FEMMINA SCHEDA ELE. NRG020	1
7	TL00000010	LEVA PER FINECORSA VALVOLA NRG 024	1
8	TA00100013	ASTA VALVOLA VOLUM. NRG020	1
9	T000000015	OTTURATORE VALV. REG. VOLUM. NRG 024	1
10	TP00400001	PREMIMOLLA RUBINETTO START	1
11	TV00002010	VITE VTCEI M6X55 UNI 5931 INOX	4
12	T7104001	DEAUTOB.6SM6 UNI7474 ZNB	4
13	TF00000009	FORCELLA COPERCHIO MOTORE NRG020	1
14	TR00000019	RACCOR. PTG USCITA START D 25 DI 16	1
15	TF00000004	FORCELLA PER RUBINETTO START	1
16	TR00500005	RIDUTTORE SOLZI 1:1 VRP	1
17	TV00000002	VITE DI MANOVRA VALV. VOLUM. NRG020	1
18	TS00701001	SCHEDA ELETTRICA COMPLETA VALV. VOLUM. NRG020	1
19	TC00200021	COPERCHIO MOTORE VALV. VOLUM. NRG020	1
20	TG00001072	GUARN.O-RING 106 1.78X6.75 VITON	2
21	TG00001059	GUARN.O-RING 130 2.62X22.22 VITON	1
22	TG00001147	GUARN.O-RING 2021 1.78X5.28 VITON	4
23	TD00200007	DISTANZIALE CENTRAGGIO COPERCHIO VALVOLA	1
24	TA00007001	ANELLO TENUTA RADIALE 7X16X7 VITON	1
25	TD00200010	DISTANZIALE VALV. EL. VOLUMETRICA E REGOLATRICE	1
26	TM00201007	MOLLA CIL. INOX FI. 1 D8.9X11. 1X47.1	1



T8386008 NRG020 VALVOLA VOLUMETRICA 14 SEC			
Pos	Codice	Descrizione	Quantità
1	TC00004017	CORPO VALV. VOLUM. NRG PLUS 020-070	1
2	TS00400007	SUPPORTO RIDUTTORE VAL. VOL. NRG020	1
3	TS00400008	SUPPORTO MOTORE VALVOLA . VOLUM . E	1
4	TS00400006	SUPPORTO MASCHIO SCHEDA ELE. NRG020	1
5	TS00400005	SUPPORTO FEMMINA SCHEDA ELE. NRG020	1
6	TL00000005	LEVA PER FINECORSIA VALVOLA REGOLATR	1
7	TK99900081	KIT ASTA REG. NRG PLUS 020	1
8	TV00007012	VAUFTB TORX 4,8X60 ISO14585CZNB	4
9	TF00000009	FORCELLA COPERCHIO MOTORE NRG020	1
10	TF00000017	FORCELLA PER RACC.INGR. VGME2	1
11	TR00500005	RIDUTTORE SOLZI 1:1 VRP	1
12	TV00000002	VITE DI MANOVRA VALV. VOLUM. NRG020	1
13	TS00701013	SCHEDA ELETTRICA COMPLETA VALV. VO	1
14	TC00200021	COPERCHIO MOTORE VALV.VOLUM. NRG020	1
15	TA00007001	ANELLO TENUTA RADIALE 7X16X7 VITON	1
16	TD00200010	DISTANZIALE VALV. EL. VOLUMETRICA E REGOLATRICE	1
17	TD00200007	DISTANZIALE CENTRAGGIO COPERCHIO VALVOLA	1
18	TG00001021	GUARN. OR 3100 2.62 X 25.07 VITON	1
19	TG00001070	GUARN.O-RING 3231 2.62X58.42 VITON	1
20	TG00001072	GUARN. OR 106 1.78 X 6.75 VITON	4
21	TB00400007	BOCCOLA CENTRAG.COP.VOLUM.NRG PLUS	4
22	TR00000076	RACCORDO MANDATA \$30 VGM4	1

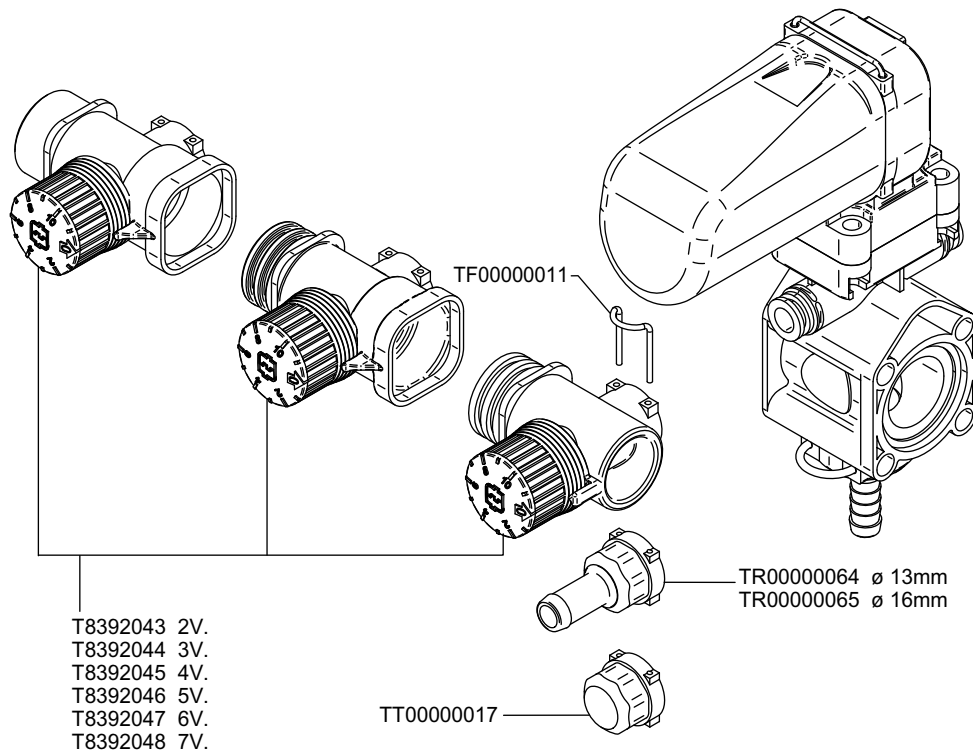


Cod. T8388001 a 2 fili / 2 wires *
 Cod. T8388005 a 3 fili / 3 wires **

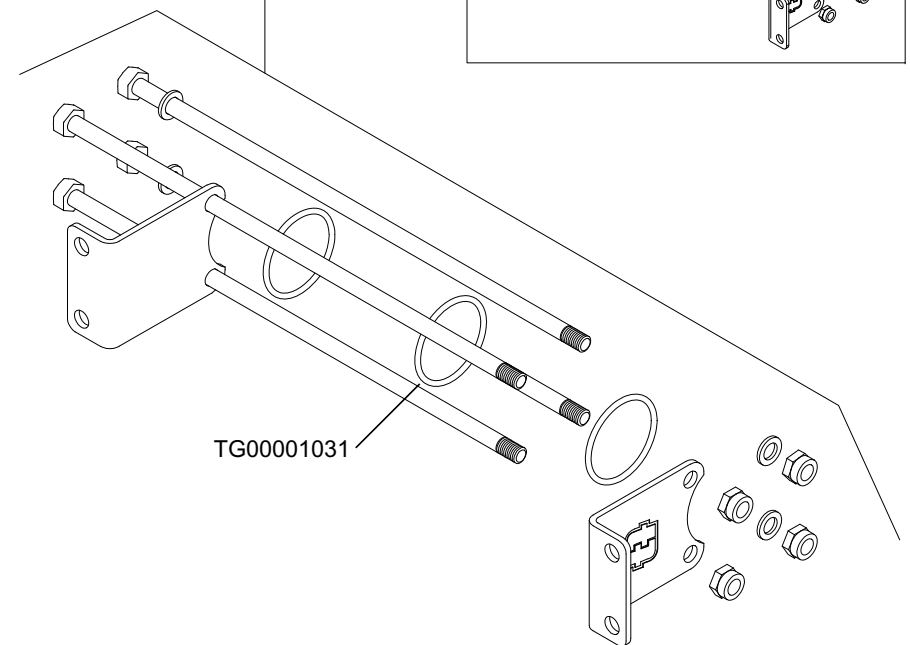
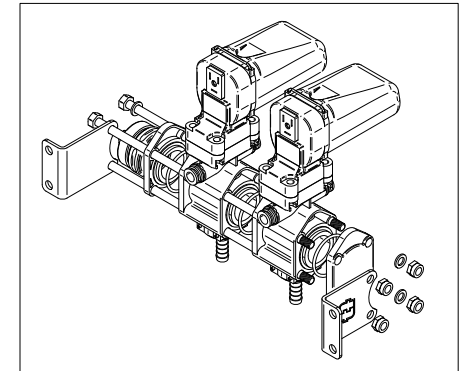


COLLETTORI / MANIFOLDS

KIT ASSEMBLAGGIO / ASSEMBLING KIT

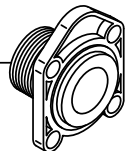


- T8392034 1V.
- T8392035 2V.
- T8392036 3V.
- T8392037 4V.
- T8392038 5V.
- T8392039 6V.
- T8392040 7V.
- T8392041 8V.
- T8392042 9V.

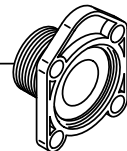


FLANGE / ADAPTERS

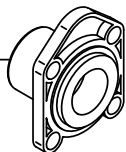
TF00102007 ø G 3/4(BSP)
 TF00102008 ø G 1(BSP)
 TF00102009 ø G 1 1/4(BSP)
 TF00102017 ø G 3/4(BSP) *



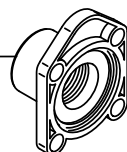
TF00102000 ø G 3/4M
 TF00102001 ø G 1
 TF00102002 ø G 1 1/4
 TF00102012 ø G 3/4 *



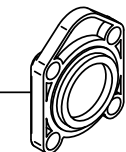
TF00102010 ø G 3/4(BSP)
 TF00102011 ø G 1(BSP)
 TF00102021 ø G 3/4(NPT)
 TF00102022 ø G 1(NPT)



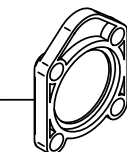
TF00102003 ø G 3/4(BSP)
 TF00102004 ø G 1(BSP)
 TF00102019 ø G 3/4(NPT)
 TF00102020 ø G 1(NPT)



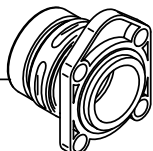
TF00102012



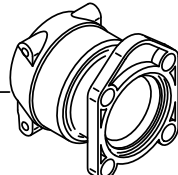
TF00102005
 TF00102015 *



T8392062

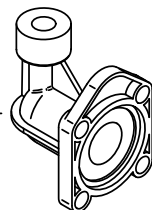


TF00102018

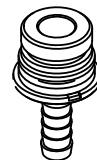


* = Ottone / Brass

TF00102006 ø G 1/4(BSP)
 TF00102016 ø G 1/4(BSP) *



RACCORDI / NIPPLES



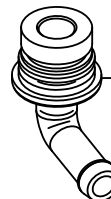
TR00000014 ø10mm
 TR00000015 ø13mm
 TR00000016 ø16mm
 TR00000017 ø19mm

Valvole di sezione
 Section valves



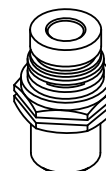
TR00000063 øe13mm øi10mm
 TR00000017 øe19mm øi14mm
 TR00000018 øe25mm øi14mm
 TR00000019 øe25mm øi16mm

Valvole volumetriche
 Volumetric valves



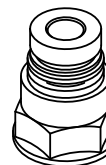
TR00000082 ø13mm

Valvole di sezione
 Section valves



TR00000083 ø G 3/4M
 TR00000066 ø G 1/2BSP

Valvole di sezione
 Section valves



TR00000084 ø G 3/4F
 TR00000085 ø NPT 3/4F

Valvole di sezione
 Section valves



TT00000018 NRG 08_

unigreen[®]
S.p.A.
CROP PROTECTION



UNIGREEN[®] S.p.A.

via Rinaldi, 105 - 42124 REGGIO EMILIA - ITALY

Tel. (0039) 0522 369811 - Fax. (0039) 0522 369898

e-mail info@unigreen-spa.com - internet www.unigreen-spa.com

member of the YAMA group