



ESPLOSI RICAMBI SPARE PARTS

CR 50 - 75 - 80 - 125

UNIGREEN® S.p.A.
via Rinaldi, 105 - 42100 REGGIO EMILIA - ITALY
Tel. (0039) 0522 369811 - Fax. (0039) 0522 369898
e-mail: info@unigreen-spa.com - www.unigreen-spa.com
member of the YAMA group



UNACOMA MEMBER

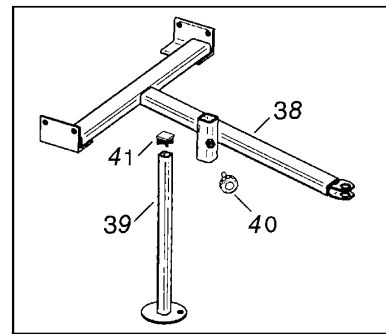
Sommario

CR 50 PLT	3
CR 75-80 PLT	4
CR 70 PLT	5
CR 125 PLT	6
Aste cariole / Wheel barrow rods	7
Avvolgitubo Tecno-Roll 90°-45° / Tecno-Roll 90°-45° hose-reel	8
Avvolgitubo Panorama 20m / Panorama 20m hose-reel	9
Filtro chiuso asp. portata fino 60 l/min / Closed suction for trolley capacity until 60 l/min	10
Getti Standard ed Unijet 2000 / Standard and Unijet 2000 Nozzle-Tip.....	11

CR 50 PLT

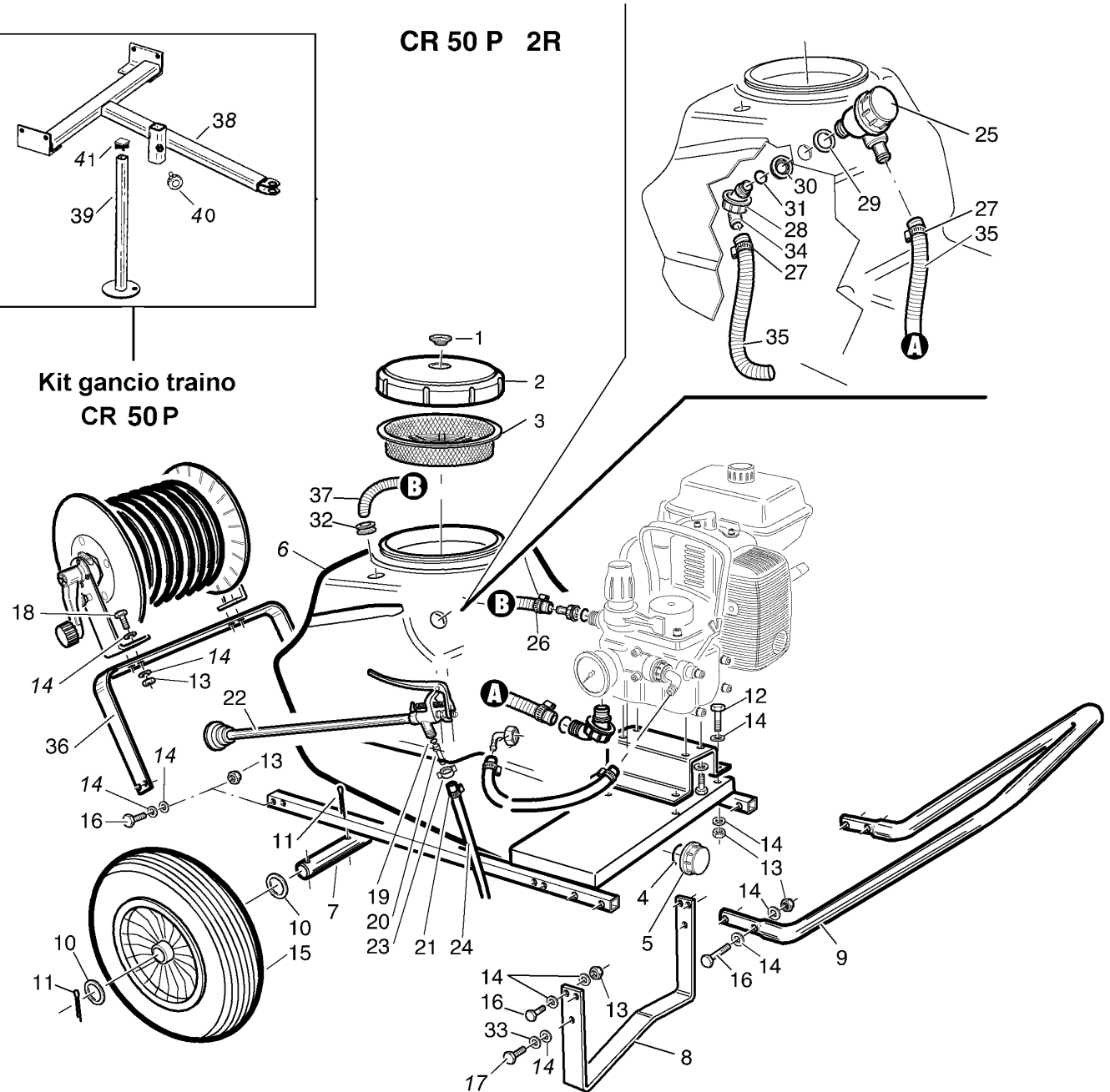
Pos.	Codice	Pos.	Codice
1	3600 0052F	22	1603 0096F
2	0402 0084F	23	1200 0038F
3	1002 0019F	24	3204 0042F
4	1209 0102F	25	R309733
5	3202 0163F	26	1003 0020F
6	0461 0832G	27	1003 0021F
7	3206 0469F	28	1200 0069F
8	2414 0107F	29	1209 0072F
	2414 0115F Vr. Gancio traino	30	1217 0014F
9	1803 0055F	31	1210 0091F
10	2811 0039F	32	2420 0008F
11	0453 0003F	33	2808 0012F
12	3607 0249F	34	T8012203
13	0604 0039F	35	3204 0097F
14	2811 0016F	36	3002 0864F
15	1226 0183F	37	3204 0123F
16	3607 0025F	38	3025 0119F
17	3607 0015F	39	2414 0091F
18	3607 0026F	40	3606 0026F
19	1209 0013F	41	3202 0167F
20	2802 0002F		
21	1003 0019F		

Agg. 12/11/2008



Kit gancio traino
CR 50 P

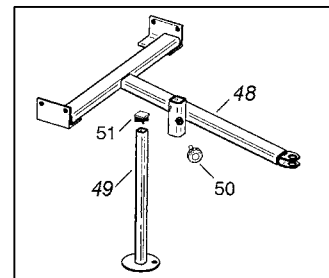
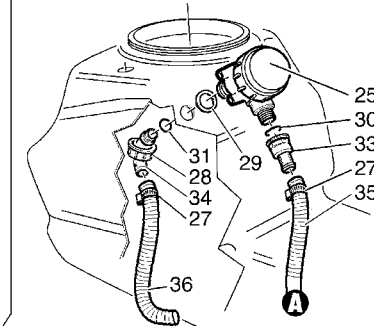
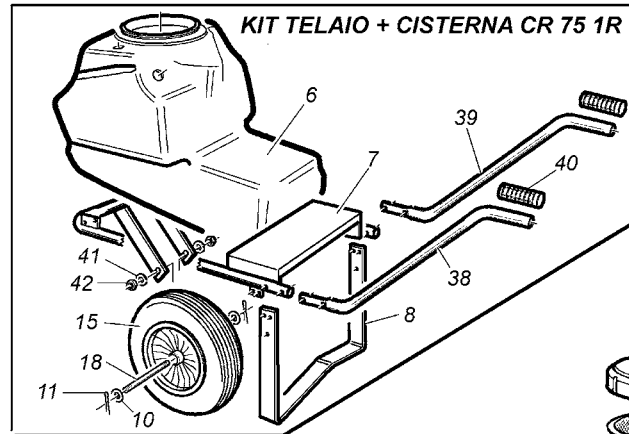
CR 50 P 2R



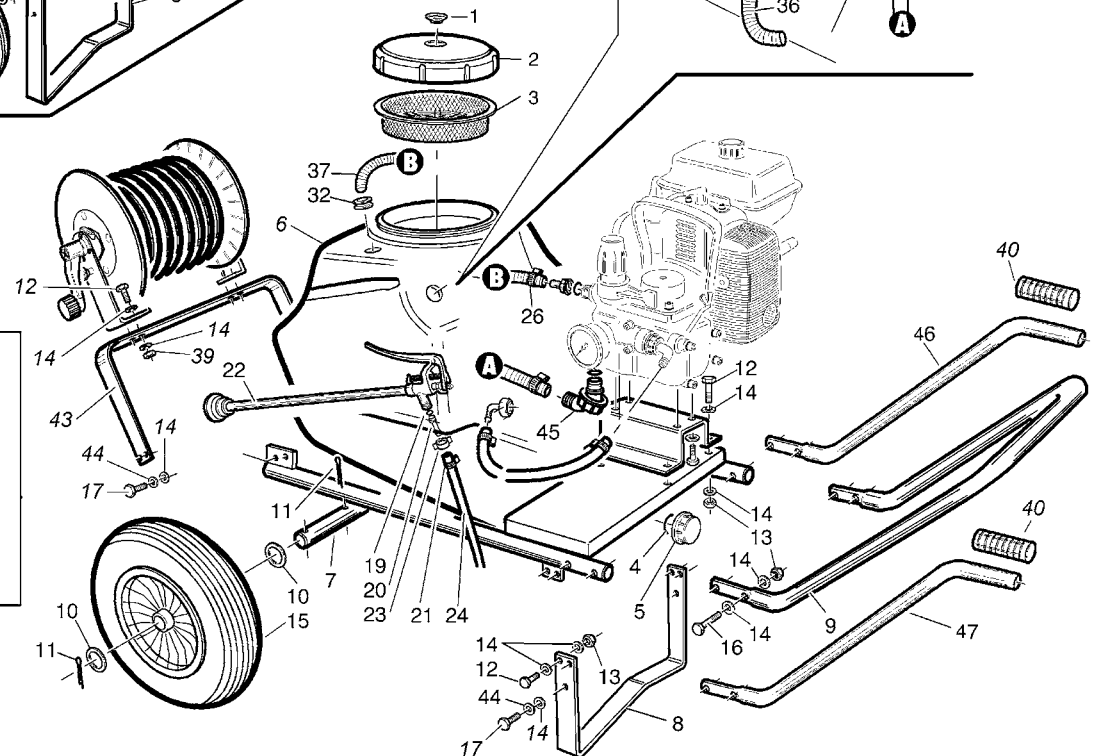
CR 75-80 PLT

Pos.	Codice
1	3600 0052F
2	0402 0084F
3	1002 0019F
4	1209 0102F
5	3202 0163F
6 CR 80	0461 0806G
6 CR75	0461 0811G
7 CR80	3206 0433F
7 CR75	3206 0441F
8 CR80	2414 0088F
	2414 0098F Vr. Gancio traino
8 CR75	2414 0093F
9	1803 0052F
10	2811 0039F
11	0453 0003F
12	3607 0249F
13	0604 0039F
14	2811 0016F
15 CR80	1226 0183F Ø25X75 4.00/4 PR4
	1226 0219F Ø25X75 6" 13.5.PR4 Vr.gancio traino ruote maggiorate
15 CR75	1226 0178F
16	3607 0024F
17	3607 0026F
18	2408 0233F
19	1209 0013F
20	2802 0002F
21	1003 0089F
22	1603 0096F
23	1200 0038F

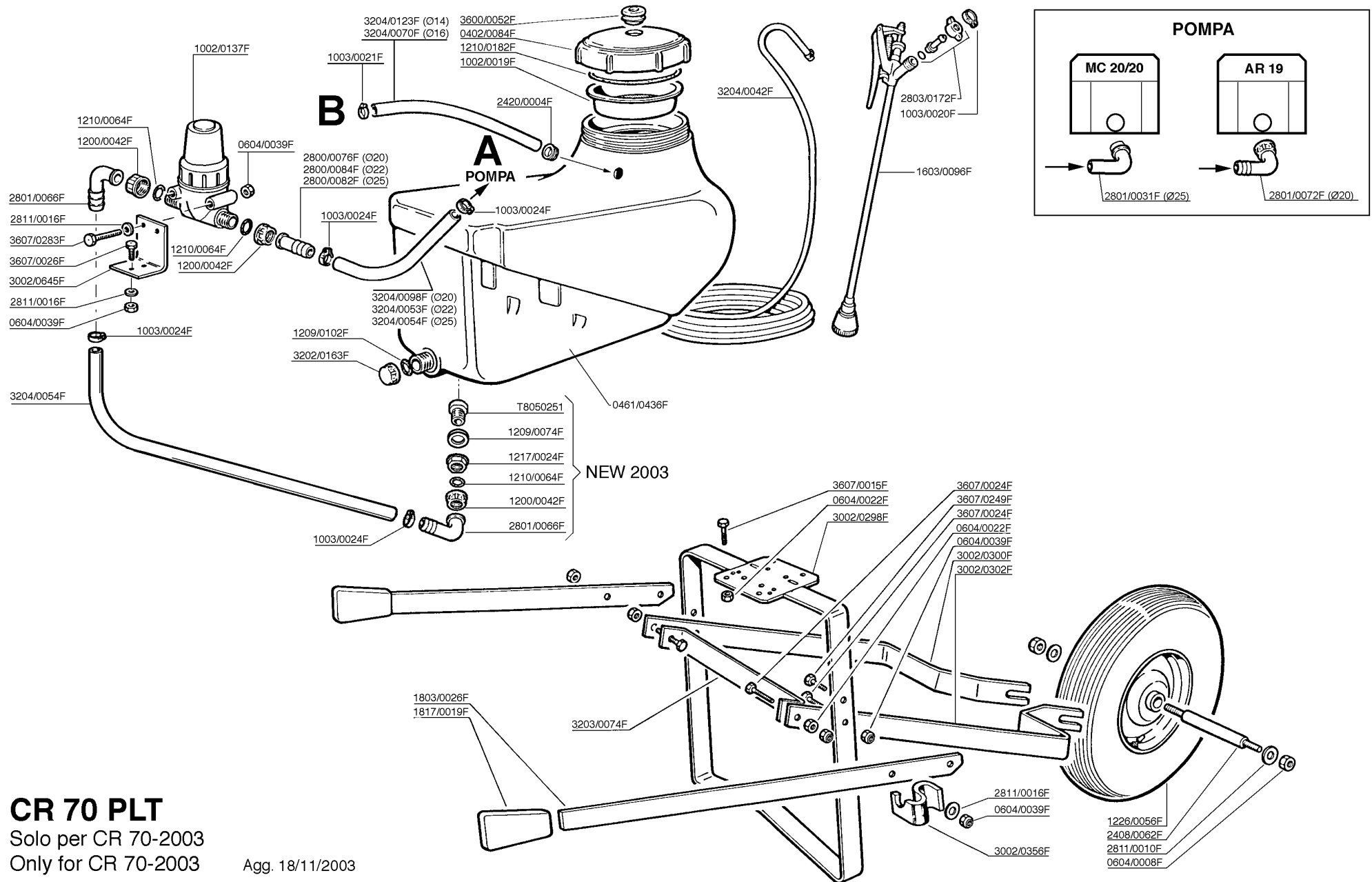
Pos.	Codice
24	3204 0042F
25	1002 0150F
26	1003 0090F
27	1003 0092F
28	1200 0048F
29	1209 0070F
30	1210 0030F
31	1210 0079F
32	2420 0008F
33	2800 0064F
34	2801 0030F
35	3204 0174F
36	3204 0174F
37	3204 0123F
38	1803 0053F
39	1803 0054F
40	1817 0031F
41	2811 0010F
42	0604 0008F
43	R3002056400
44	2808 0012F
45	2801 0031F
46	1803 0047F
47	1803 0048F
48	3025 0096F
49	2414 0091F
50	3606 0014F
51	3202 0167F



Kit gancio traino
CR 80P



Agg.12/11/2008



CR 70 PLT

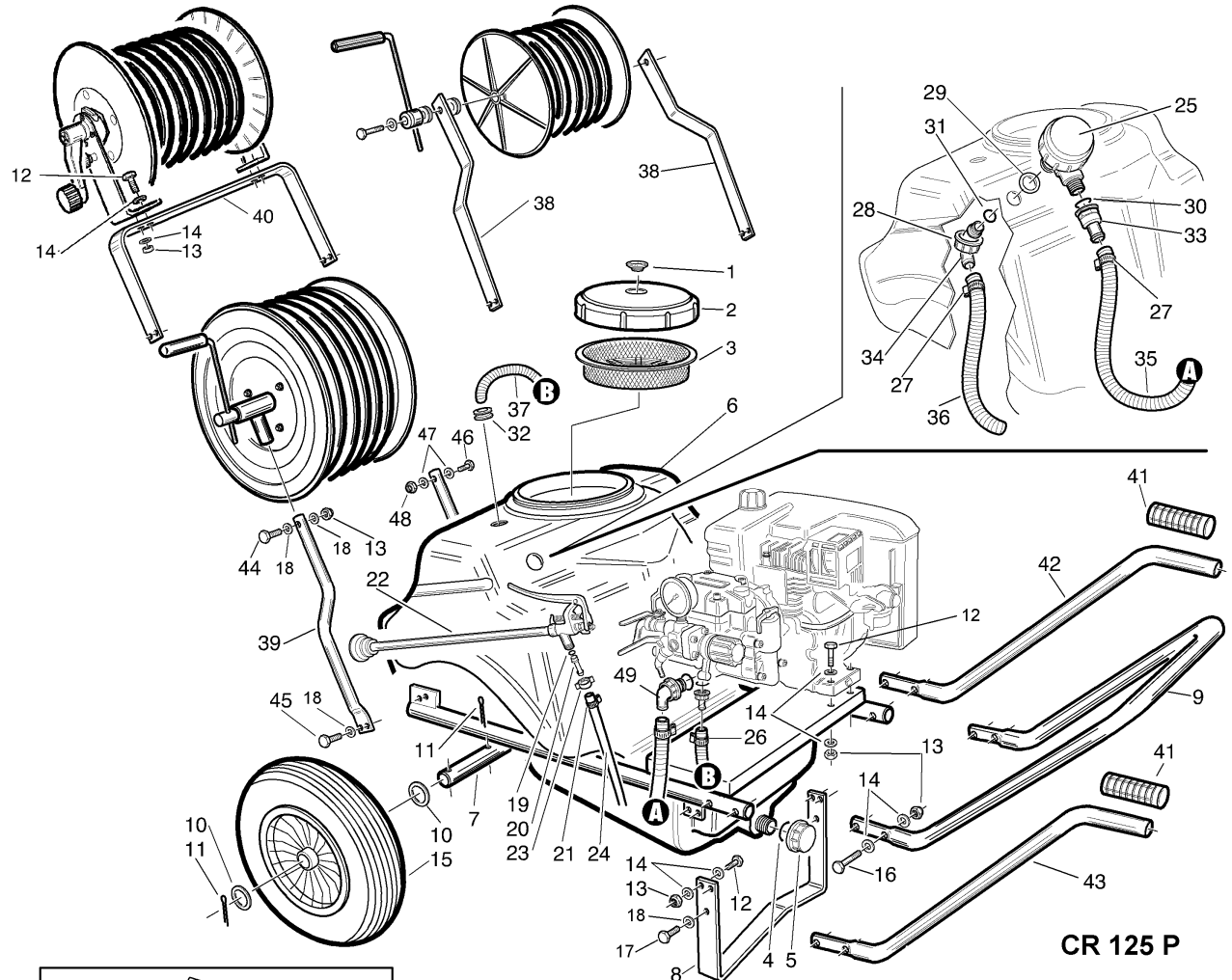
Solo per CR 70-2003
Only for CR 70-2003

Agg. 18/11/2003

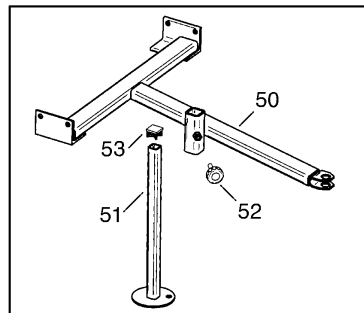
CR 125 PLT

Pos.	Codice
1	3600/0052F
2	0402/0084F
3	1002/0019F
4	1209/0102F
5	3202/0163F
6	0461/0790G
7	3206/0413F
8	2414/0085F
8	2414/0092F Vr.gancio traino
9	1803/0049F
10	2811/0039F
11	0453/0003F
12	3607/0249F
13	0604/0039F
14	2811/0016F
15	1226/0178F Ø25X75 4.00/8 PR4
15	1226/0220F Ø25X75 6» 15.6.00 Ruote maggiorate
16	3607/0024F
17	3607/0026F
18	2808/0012F
19	1209/0013F
20	2802/0002F
21	1003/0089F
22	1603/0096F
23	1200/0038F
24	3204/0042F
25	1002/0150F
26	1003/0090F
27	1003/0092F
28	1200/0048F
29	1209/0070F
30	1210/0030F

Pos.	Codice
31	1210/0079F
32	2420/0008F
33	2800/0064F
34	2801/0030F
35	3204/0174F
36	3204/0174F
37	3204/0123F
38	3002/0763F
39	3002/0762F
40	R3002056500
41	1817/0031F
42	1803/0047F
43	1803/0048F
44	3607/0018F
45	3607/0010F
46	3607/0245F
47	2808/0010F
48	0604/0011F
49	2801/0031F
50	3025/0093F
51	2414/0091F
52	3606/0014F
53	3202/0167F



Agg. 12/11/2008

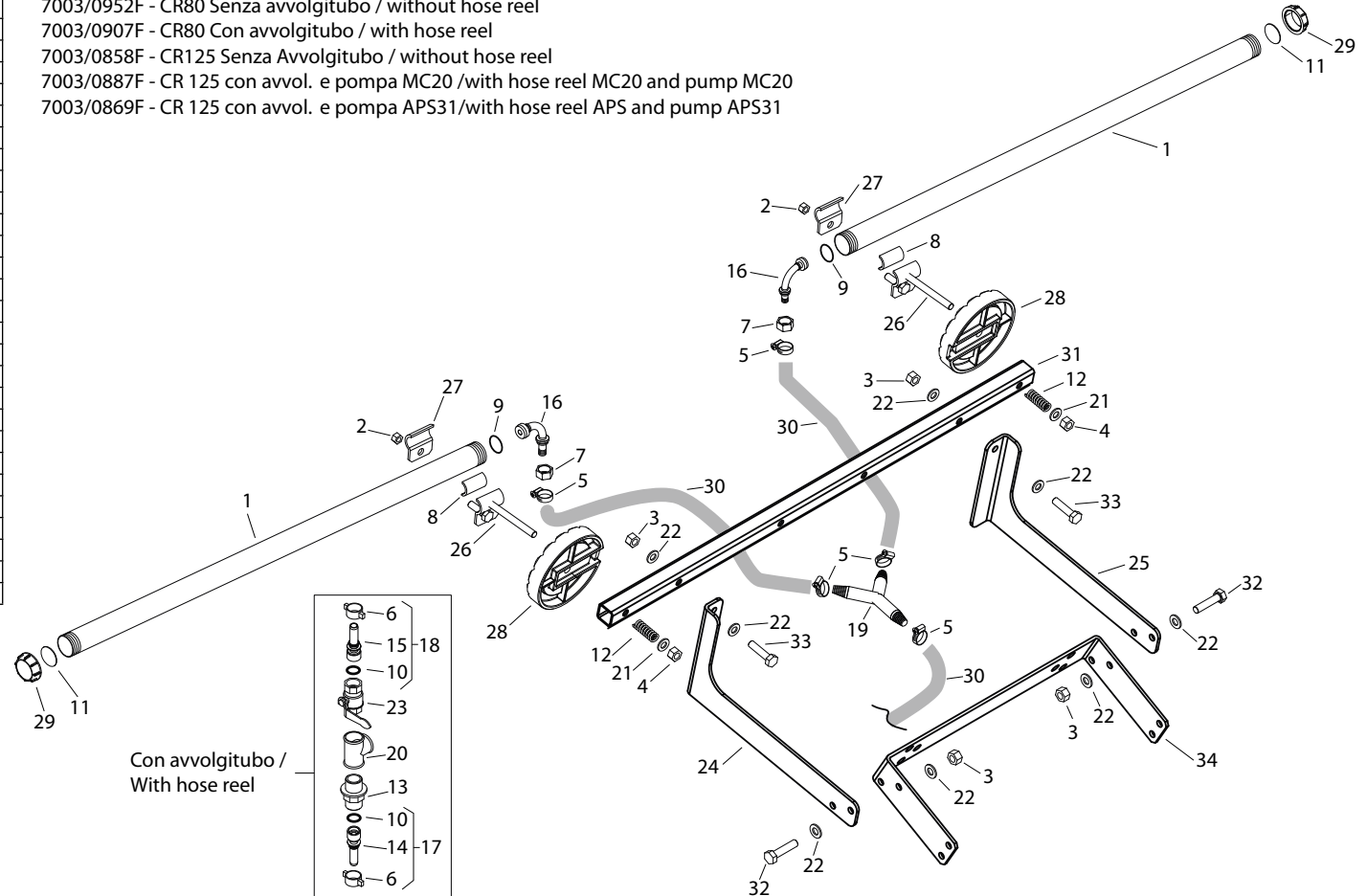


Kit gancio traino
CR 125 P

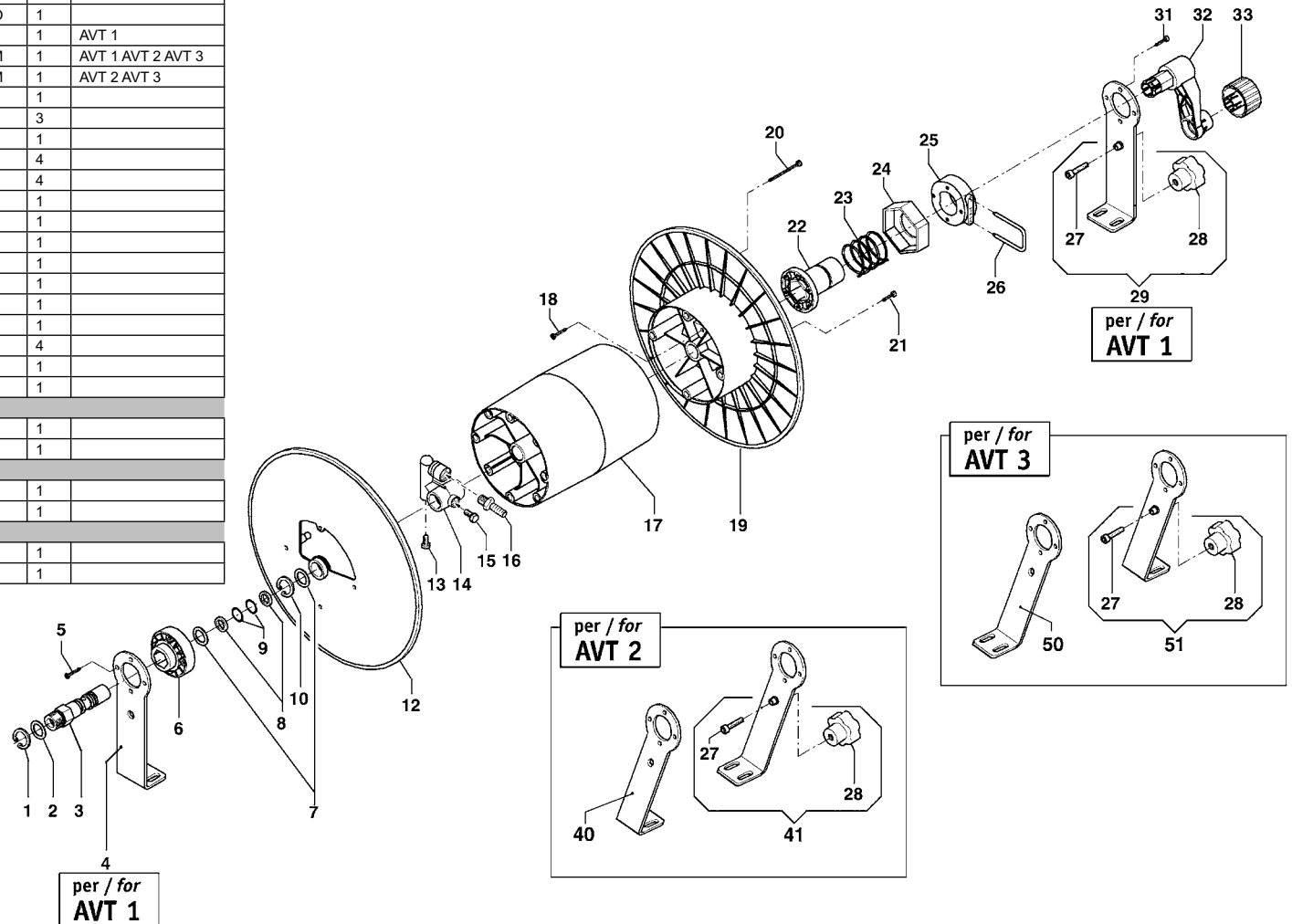
Barre Cariole

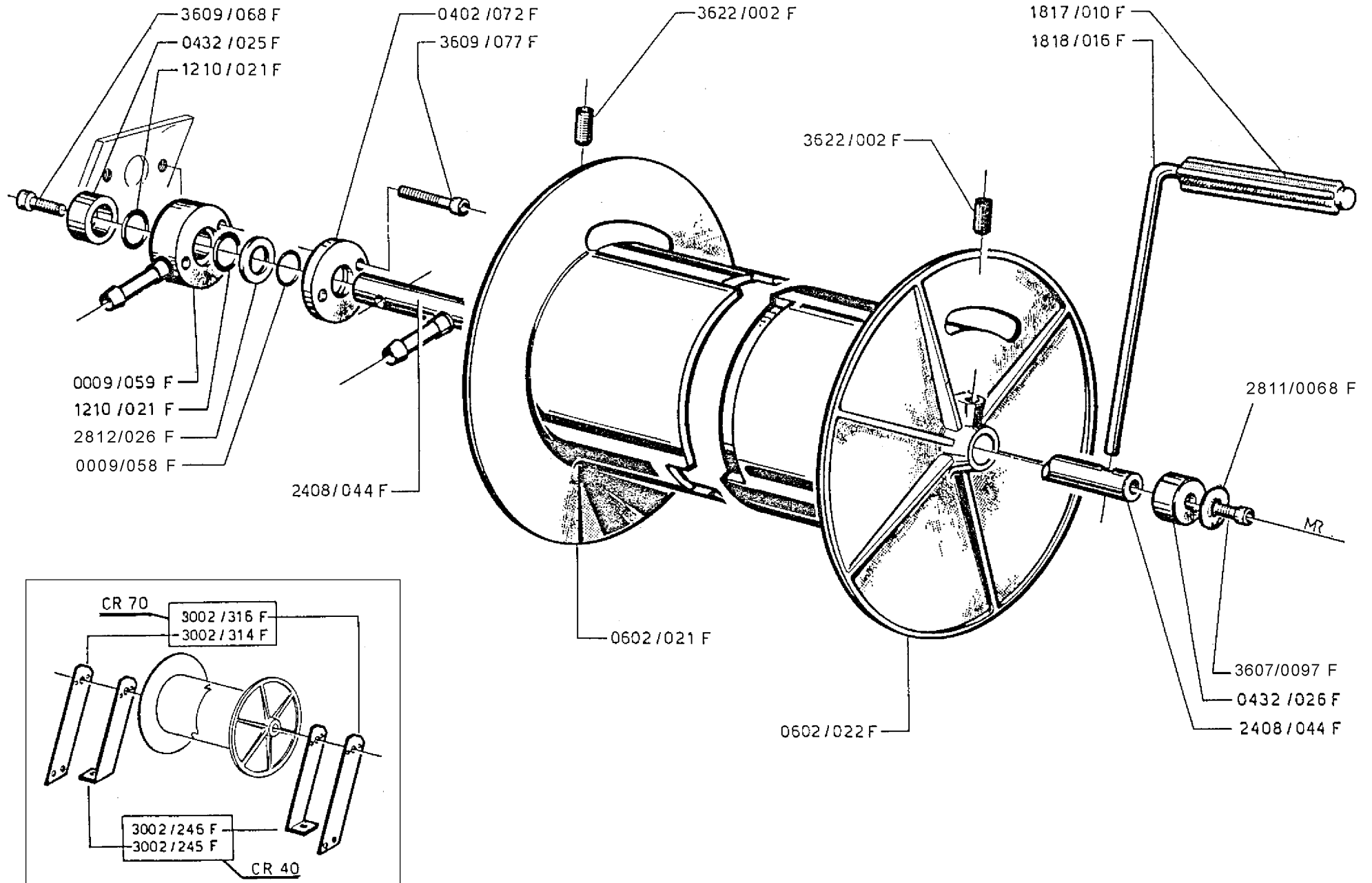
Pos.	Codice	Descrizione
1	0016/0260F	ASTA PORTA GETTI 3F Ø7
2	0604/0038F	DEA M10X17X12,3 AUBL UNI7473
3	0604/0039F	DEA M8X13X10,4 AUBL UNI7473
4	0604/0068F	DEA M10X17X8,6 AUBL TRILB
5	1003/0090F	FASCETTA INOX W2 12X22
6	1200/0038F	GALL 1/2GAS NIKELATO
7	1200/0056F	GAL G1/2 CH24 OTTONE
8	1201/0066F	GU SEMIGUSCIO
9	1209/0008F	GUARN.PIANA \$12,5X18,5X2 POLIET.
10	1209/0013F	GU NOR \$12X18X2 GO ANTIOL
11	1209/0080F	GUARNIZIONE NORMALE &18X2
12	1802/0120F	MOLLA X SL G.POS.AS
13	2000/0008F	NIPPLO 1/2-1/2GAS OTT
14	2802/0002F	RPGM DRITTO \$ 8
15	2802/0018F	RPGM DIRITTO \$10
16	2803/0058F	RPGMC \$11 OTTONE X TU TREG
17	2803/0172F	K RACC PG \$8 DIRITTO MAND GIR.1/2"
18	2803/0174F	K RACC PG \$10 DIRITTO MAND GIR.1/2"
19	2803/0194F	RACCORDO "Y" \$10 NY
20	2803/0408F	RACC.T F/F/G1/2"OTTONE
21	2811/0002F	RT \$10.5X21X2 UNI 6592 4S
22	2811/0016F	RT \$8,4 X 17 X 1,6 UNI6592 4S
23	2826/0006F	RUB N 1/2"-1/2" GAS DX
24	3002/0910F	SUP SINISTRO BD 3MT X CR125
25	3002/0918F	SUP DESTRO BD 3MT X CR125
26	3004/0016F	SEMIGUSCIO INFERIORE
27	3004/0017F	SEMIGUSCIO SUPERIORE
28	3007/0019F	SELETTORE MOPLÉN
29	3202/0100F	TAPPO 1/2 G OTTONE
30	3204/0034F	TG APERFRUT \$10X17 40/120BAR
31	3207/0066F	TV FISS ASTE CR-PLT
32	3607/0010F	VTE M8X16 8G UNI 5739
33	3607/0025F	VTE M8X45 8G UNI5737
34	R3002056400	SUP AVT AGRIC. X CARR 80LT
	R3002056500	SUP AVT AGRIC. X CARR 125LT

Asta diserbo 3m con 6 getti / 3m Sprayers rods with 6 nozzles:
 7003/0952F - CR80 Senza avvolgitubo / without hose reel
 7003/0907F - CR80 Con avvolgitubo / with hose reel
 7003/0858F - CR125 Senza Avvolgitubo / without hose reel
 7003/0887F - CR 125 con avvol. e pompa MC20 /with hose reel MC20 and pump MC20
 7003/0869F - CR 125 con avvol. e pompa APS31/with hose reel APS and pump APS31

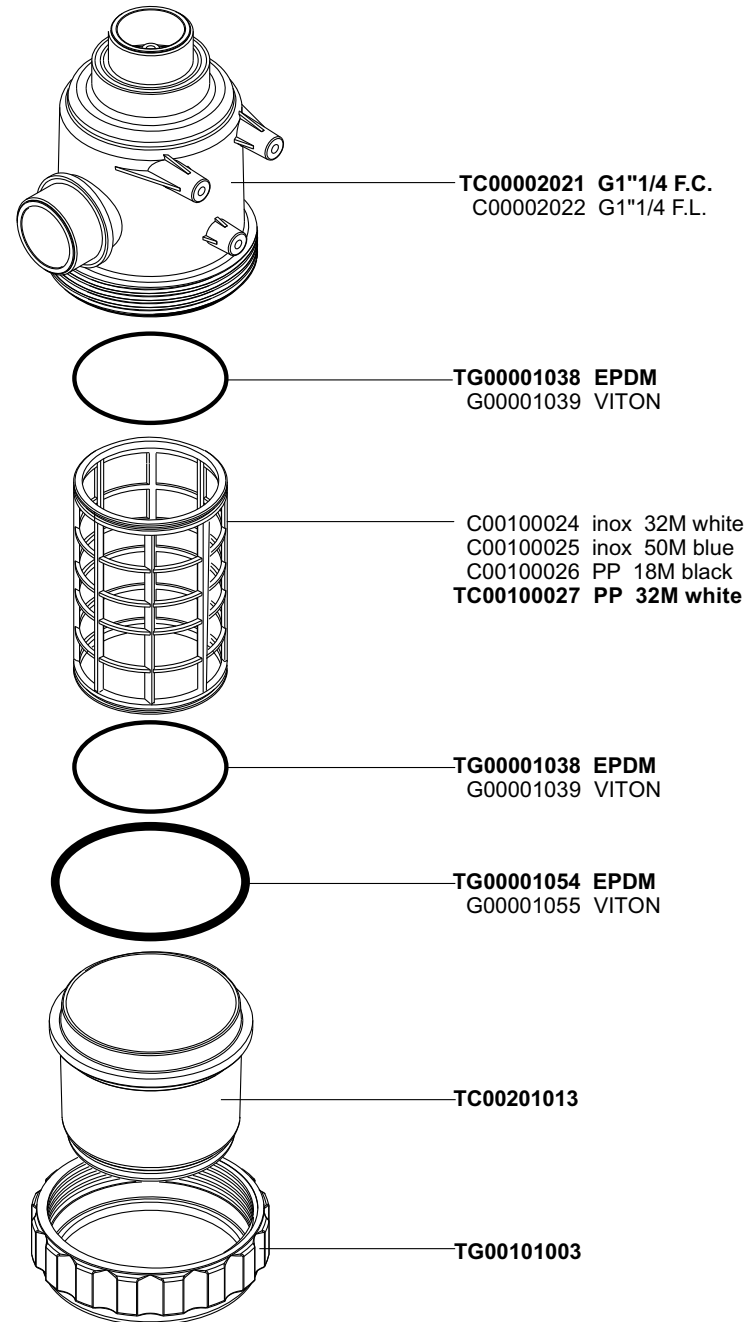


Pos:	Cod.					
1	R3019 003900	Seeger Esterno	Outer Seeger	Ø21	1	
2	R2811 011500	Rondella	Washer	Ø21x37x3	1	
3	R2408 015300	Perno Avvolgitubo	Hose Reel Stop Nut	G 1/2	1	
5	R3623 002100	Vite	Screw	Ø5x20	4	
6	R0601 029300	Distanziale	Spacer		1	
7	R2812 008000	Rondella Speciale	Special Washer	Ø20xØ30x2	2	
8	R0009 016500	Anello BK	Ring BK		2	
9	R1210 023200	Guarnizione OR Viton®	Viton® O-Ring	Ø2,62x15,08	2	
10	R3019 003700	Seeger Esterno	Outer Seeger	Ø20	1	
12	R0602 005100	Disco Posteriore	Back Disc		1	
13	R3202 001800	Tappo	Plug	G1/8" CONICO	1	
14	R2803 048100	Raccordo Speciale	Special Coupling	G1/4	1	
15	R3202 001800	Tappo	Plug	G1/8" CONICO	1	
16	R2800 009900	Raccordo Uscita - Ø8	Outlet Coupling Ø8	Ø8 - GC1/4 M	1	AVT 1
16	R2800 010000	Raccordo Uscita - Ø10	Outlet Coupling Ø10	Ø10 - GC1/4 M	1	AVT 1 AVT 2 AVT 3
16	R2800 010900	Raccordo Uscita - Ø12	Outlet Coupling Ø8	Ø12 - GC1/4 M	1	AVT 2 AVT 3
17	R0601 028900	Distanziale	Spacer		1	
18	R3623 002200	Vite	Screw	Ø4x16	3	
19	R0602 005300	Disco Anteriore	Front Disc		1	
20	R3623 002300	Vite	Screw	Ø5x70	4	
21	R3623 001500	Vite	Screw	Ø5x25	4	
22	R0424 037900	Corpo	Body		1	
23	R1802 021100	Molla	Spring		1	
24	R2426 002600	Pattino	Guide		1	
25	R0601 029400	Distanziale	Spacer		1	
26	R1202 005600	Gancio	Hook	INOX	1	
27	R3609 015400	Vite	Screw	M8x35	1	
28	R2431 000600	Pomello	Knob		1	
31	R3623 002100	Vite	Screw	Ø5x20	4	
32	R1804 000500	Manovella	Handle		1	
33	R2431 000700	Pomello	Knob		1	
Solo per: / Only for: AVT 1						
4	R2400 009300	Piede Sostegno	Mounting Bracket		1	
29	R2400 010200	Kit Piede Sostegno	Mounting Bracket Kit		1	
Solo per: / Only for: AVT 2						
40	R2400 009800	Piede Sostegno	Mounting Bracket		1	
41	R2400 010300	Kit Piede Sostegno	Mounting Bracket Kit		1	
Solo per: / Only for: AVT 3						
50	R2400 009700	Piede Sostegno	Mounting Bracket		1	
51	R2400 010400	Kit Piede Sostegno	Mounting Bracket Kit		1	

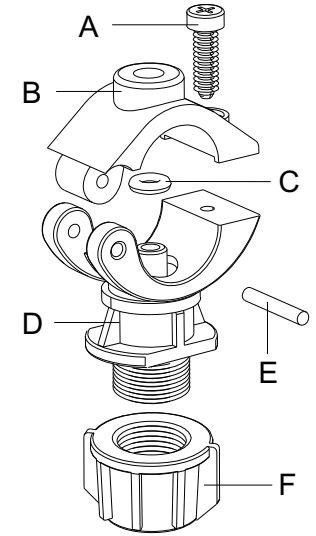
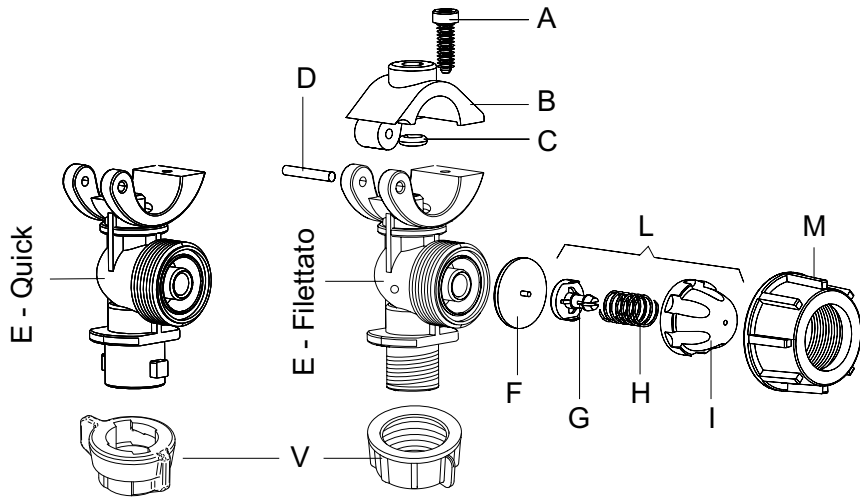




Cod.	8072000	G 1"1/4	32 M	F.C.
Cod.	8072001		50 M	
Cod.	8072002		18 M	
Cod.	8072003 – 1002/0150F		32 M	F.L.
Cod.	8072004		32 M	
Cod.	8072005		50 M	
Cod.	8072006		18 M	
Cod.	8072007	32 M		



COD	A	B	C	D	E	F
1224/0204F GETTO STD	3625/0020F	TC004 01 001 1/2"	TG000 01 006 Ø 7	TC000 06 002 1/2" - Ø7	TS000 00 000	1200/0052F



COD	A	B	C	D	E	F	G	H	I	L	M	V	
1224/0206F UNIJET FILETTATO	3605/0020F	TC004 01 001	TG000 01 006 - Ø7	TS000 00 000	TC000 06 014 1/2" - Øi=7	TM001 00 000 (EPDM) standard TM 001 00 001 (VITON)	TS002 00 002	TM002 01 002(0,2BAR) TM002 01 003 (0,3BAR)	TM 002 01 004 (0,5BAR) standard TM002 01 005 (1BAR)	TC005 00 000(ROSSA) standart TC005 00 001 (GIALLA) TC005 00 002 (ARANCIO) TC005 00 003 (NERA)	TK000 00 000 (ROSSA 0,5BAR) standard TK000 00 001 (GIALLA 0,2BAR) TK000 00 002 (ARANCIO 0,3BAR) TK000 00 003 (NERA 1 BAR)	T8040201	1200/0052F FILETTO
1224/0208F UNIJET QUICK X Ventaglio					TC000 06 020 1/2" - Øi=7								1200/0092F (UGELLI ISO VENTAGLIO)
1224/0209F UNIJET QUICK X Cono					1200/0090F (UGELLI CONO ISO) 1200/0093F (UGELLI CONO ATR)								

unigreen[®]
S.p.A.
CROP PROTECTION



UNIGREEN[®] S.p.A.

via Rinaldi, 105 - 42100 REGGIO EMILIA - ITALY

Tel. (0039) 0522 369811 - Fax. (0039) 0522 369898

e-mail info@unigreen-spa.com - internet www.unigreen-spa.com

member of the YAMA group