



**Spare parts**

**Leading Experts for  
Agricultural Electronics and Precision Farming!**

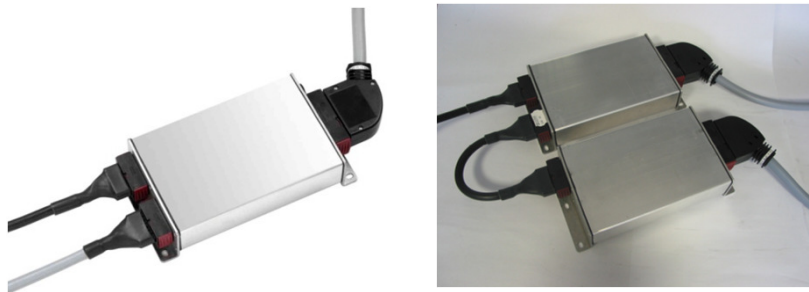
## Jobrechner ECU-MIDI 1.0 & ECU-MAXI 1.0

### Purpose

Containing all the intelligence of the system

### ECU-MIDI 1.0

- Previously known as JR-Fujitsu



#### References

- [30322321 \(JC-F1 – Sprayer & DC\)](#)
- [30322326 \(JC-F2 – Hydraulics & TC\)](#)

### ECU-MAXI 1.0

- Previously known as JR-2

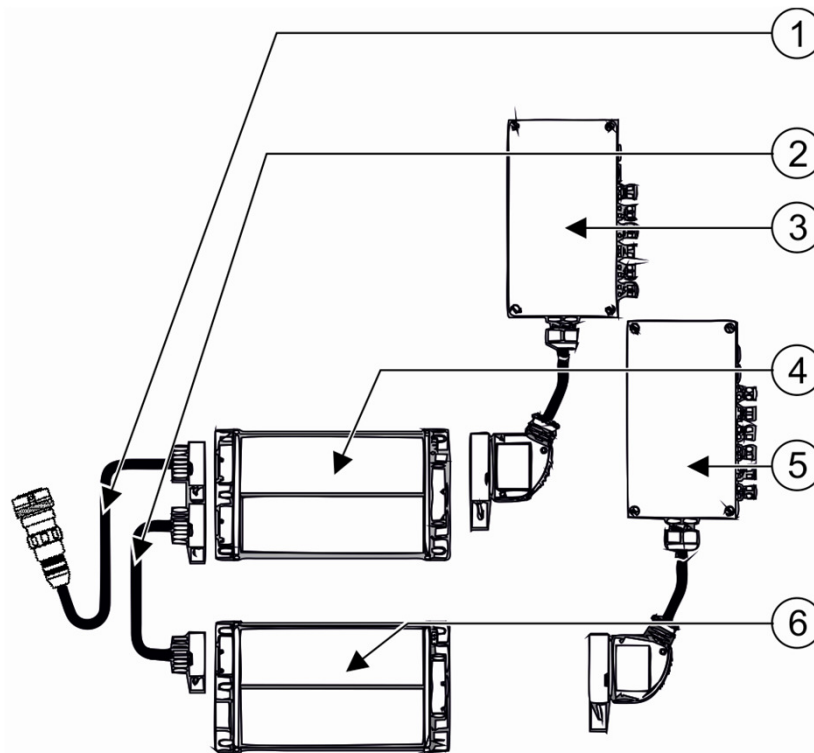


#### References

- [30303103](#)

## ECU-MIDI 1.0

System overview with 2 ECU-MIDI 1.0



- ① ISOBUS cable (for JR-F)

**References**

- 30303146
- 30303140
- 30303142

- ② Connecting cable

**References**

- 30322355
- 30322359
- 30322357

- ③ Junction box for F2

**References**

- 30322365

- ④ ECU F2

**References**

- 30322326

- ⑤ Junction box for F1

**References**

- 30322360

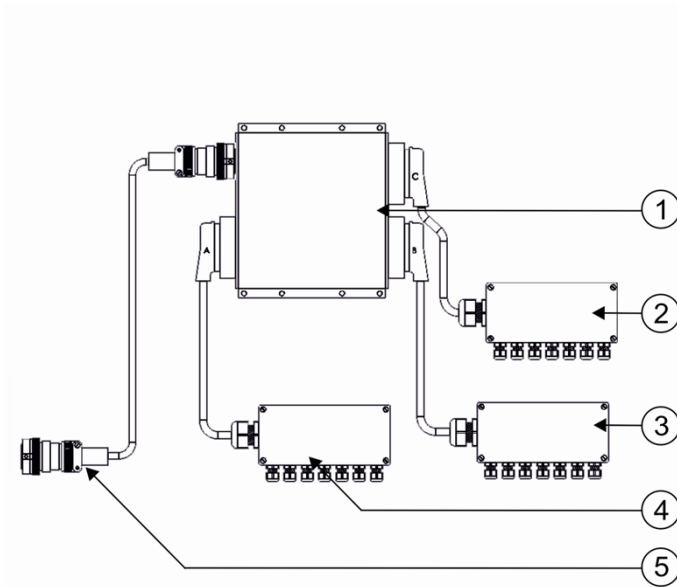
- ⑥ ECU F1

**References**

- 30322321

## Jobrechner ECU-MAXI 1.0

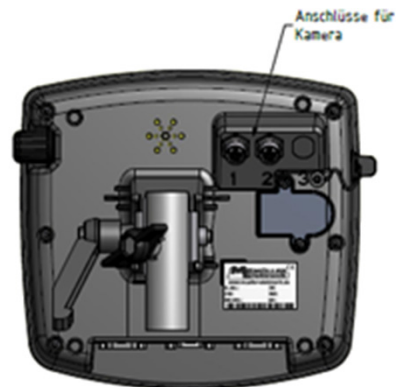
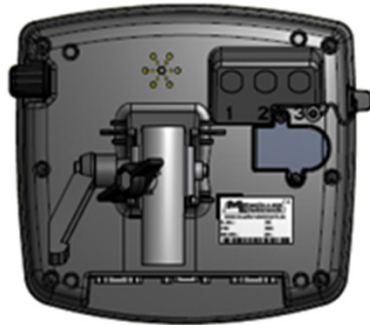
System overview with 3 Junction boxes



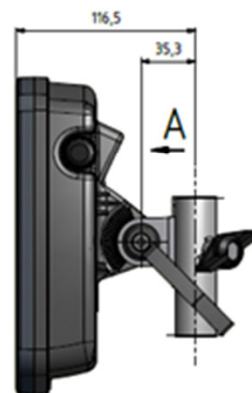
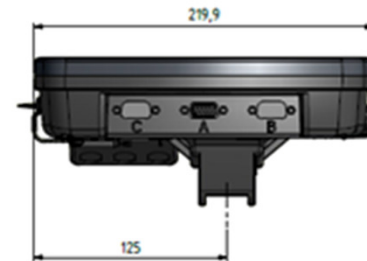
- ① ECU  
*References*  
- 30303103
- ② Junction box C – Sections  
*References*  
- 30303266  
- 30303265
- ③ Junction box B – Hydraulics  
*References*  
- 30303225  
- 30303232
- ④ Junction box A – Regulation & sensors  
*References*  
- 30303214  
- 30303218
- ⑤ Straight ISOBUS cable (for JR2)  
*References*  
- 30303136  
- 30303127  
- 30303132

## BASIC Terminal

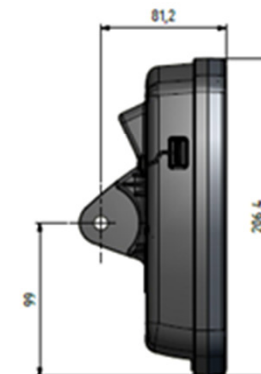
A ( 1 : 2 )  
Rückansicht ohne Kamera



( 1 : 2 )  
Rückansicht mit Kamera



ANSICHT1 ( 1 : 2 )  
- Abb.: 30124694 -



### References

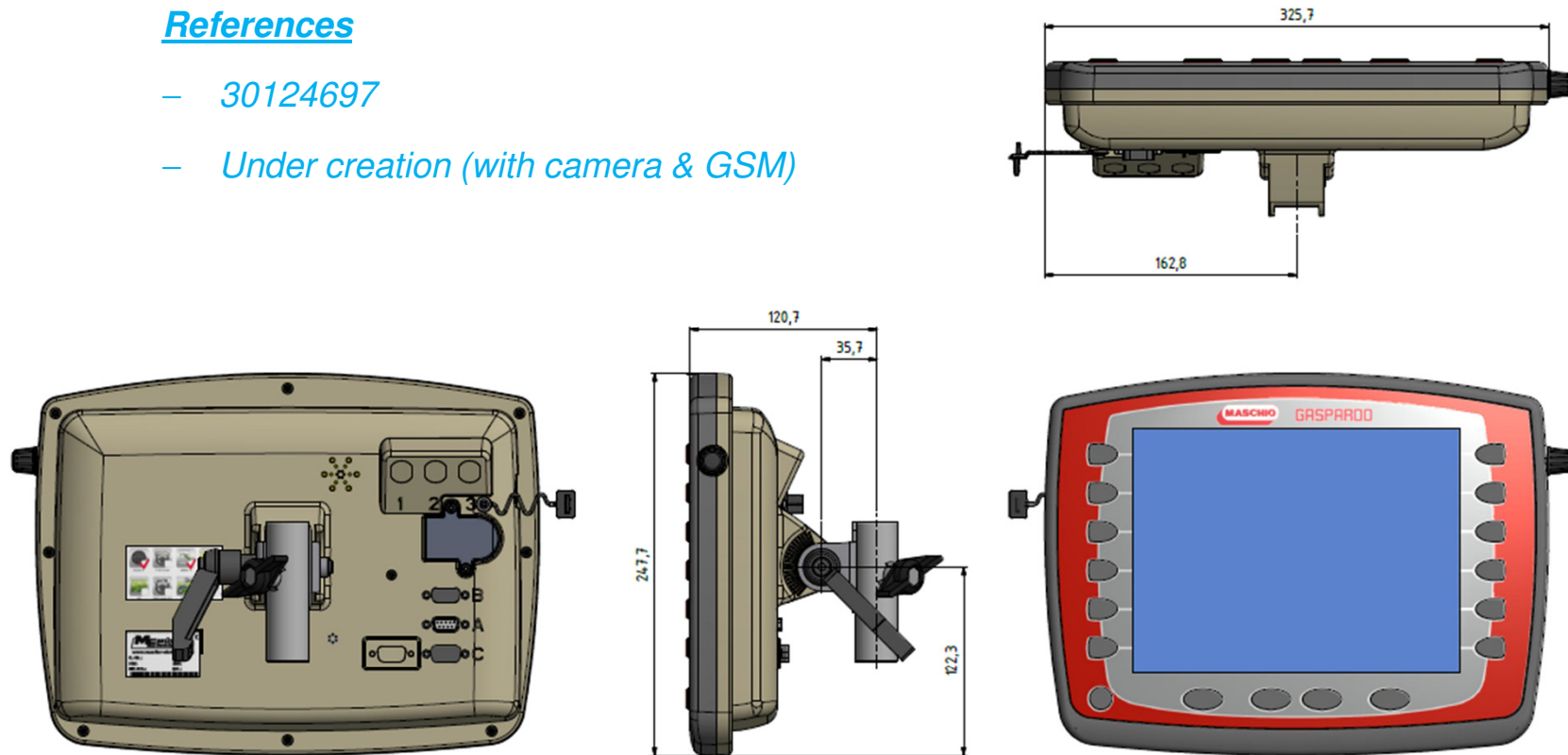
- 30124694
- 3012469401 (with camera & GSM)

**Display size: 5.7"**

## COMFORT Terminal

### References

- 30124697
- Under creation (with camera & GSM)

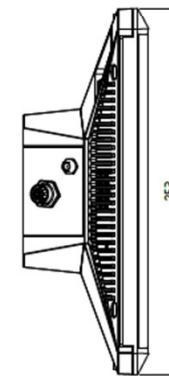
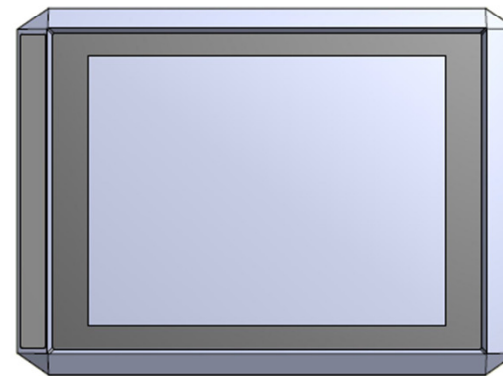
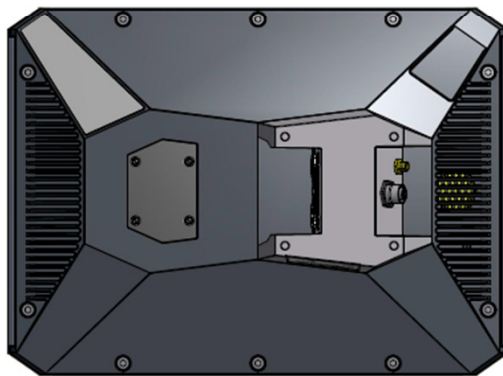
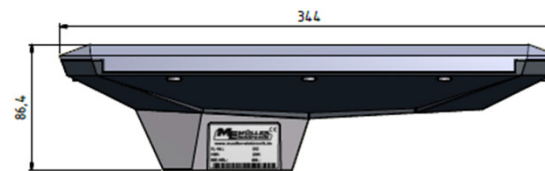


**Display size: 10.4"**

## TOUCH-ME (Tactile)

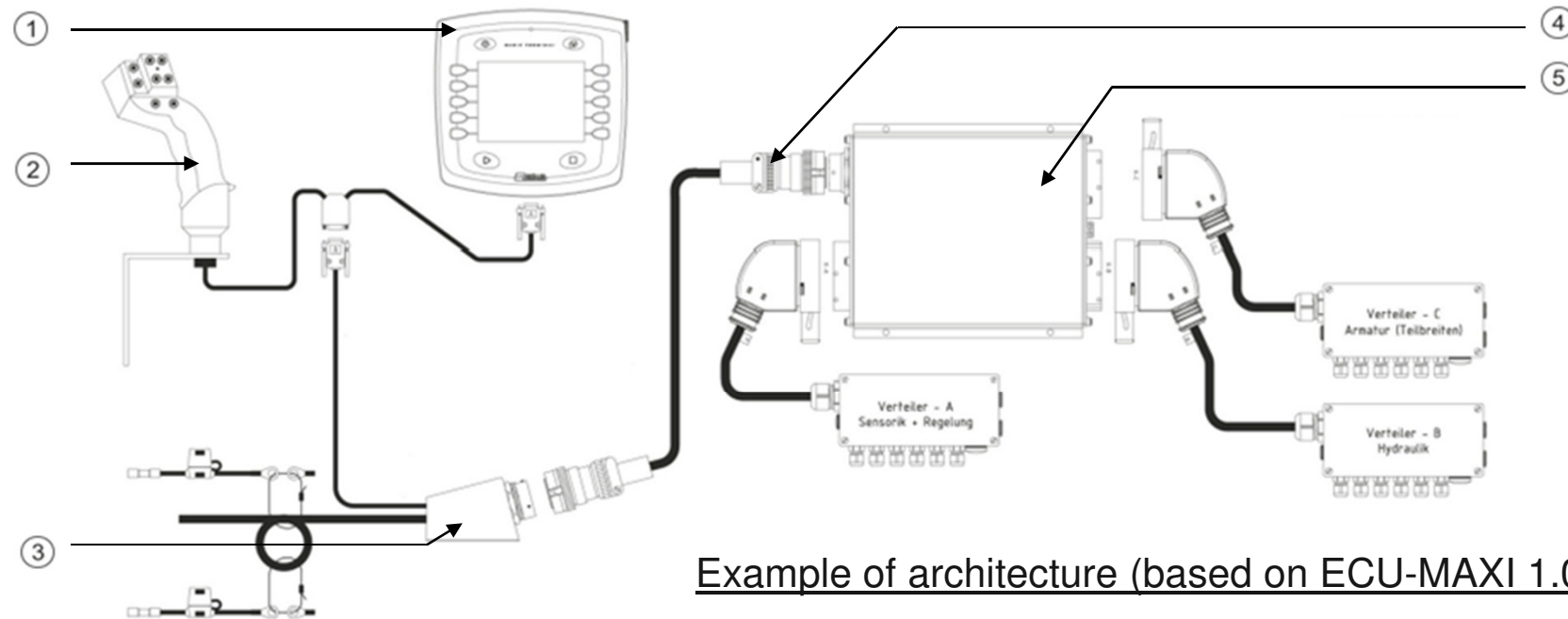
### References

– 30322536



**Display size: 12"**

## System overview



Example of architecture (based on ECU-MAXI 1.0)

① Virtual Terminal

**References**

- 30124694
- 3012469401
- 30124697
- to be defined (Comfort with camera)
- to be defined (Touch-ME)

② Multi-Function Grip

**References**

- 30322586
- 30322582 (CPC connector)

③ Base equipment

**References**

- 30322550
- 30322555

④ ISOBUS cable

**References**

- 30303136
- 30303127
- 30303132

⑤ ECU-MAXI 1.0

**References**

- 30303103



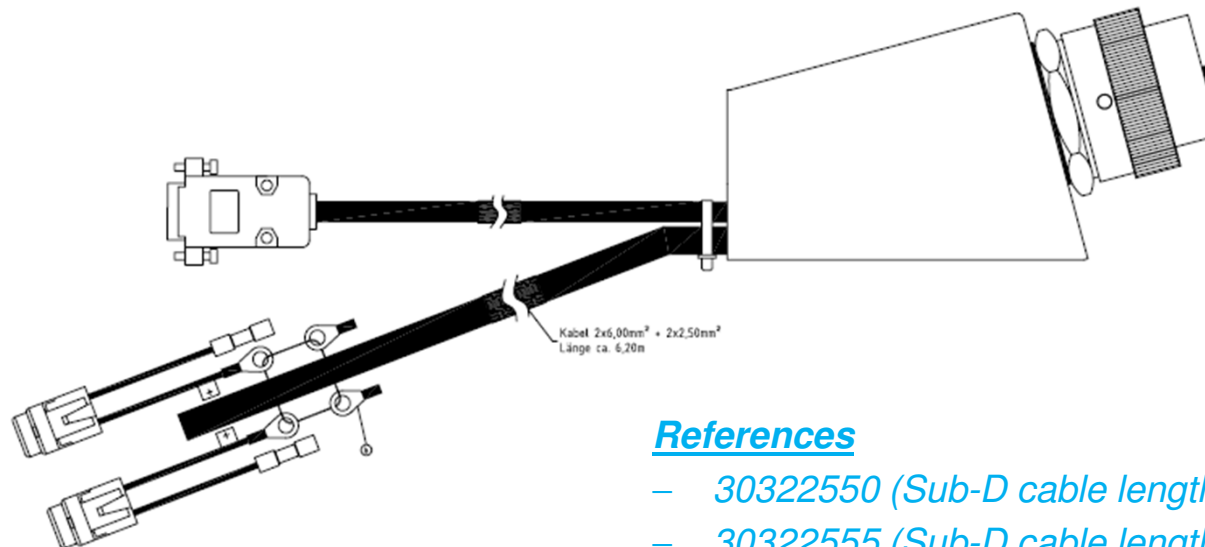
## Cabling – ISOBUS Base equipment

### Purpose

ISOBUS certified connector bringing both the power supply and the CAN bus to the system.

Connects the VT to the ISOBUS CAN bus.

Required in non-ISOBUS tractors.



### References

- 30322550 (Sub-D cable length: 2,2m)
- 30322555 (Sub-D cable length: 6,0m)

Power supply cable length: 6,20m

## Cabling – ISOBUS cable

### For ECU-MIDI 1.0

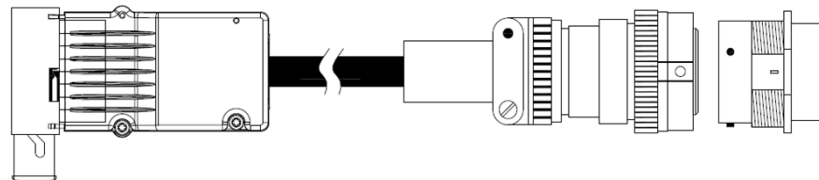


Tabelle Artikelnummern / Kabellängen		
ME Art.nr.:	Kabeltyp	Kabellänge in (mm)
30303140	16x1,50mm <sup>2</sup>	6500
30303141	16x1,50mm <sup>2</sup>	11000
30303142	16x1,50mm <sup>2</sup>	8500
30303143	16x1,50mm <sup>2</sup>	1000
30303145	16x1,50mm <sup>2</sup>	1500
30303146	16x1,50mm <sup>2</sup>	2500
30303147	16x1,50mm <sup>2</sup>	13000

### For ECU-MAXI 1.0



Artikelübersicht	
ME-Art.nr.:	Kabellänge in [mm]
30303127	6500
30303128	8000
30303129	11000
30303131	13000
30303132	9000
30303133	1500
30303136	3000
30303138	4000

*Different cable lengths are available.*

*Please contact Müller-Elektronik for further information.*

## Cabling – ISOBUS cable

*With additional CAN output*

### Purpose

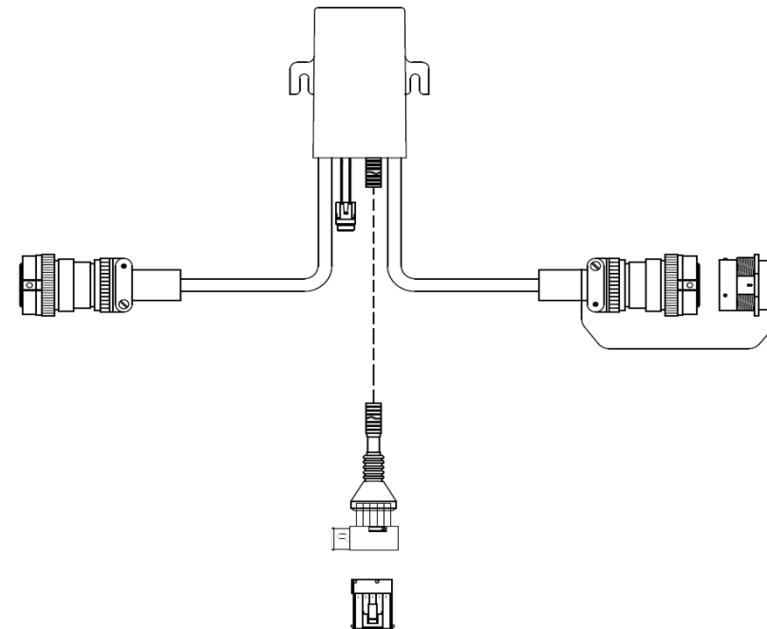
Connecting additional devices such as TANK-Control II

For ECU-MAXI 1.0 architectures

Replaces straight ISOBUS cable

### References

– [30252110](#)



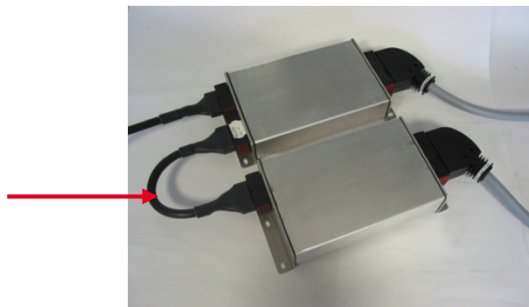
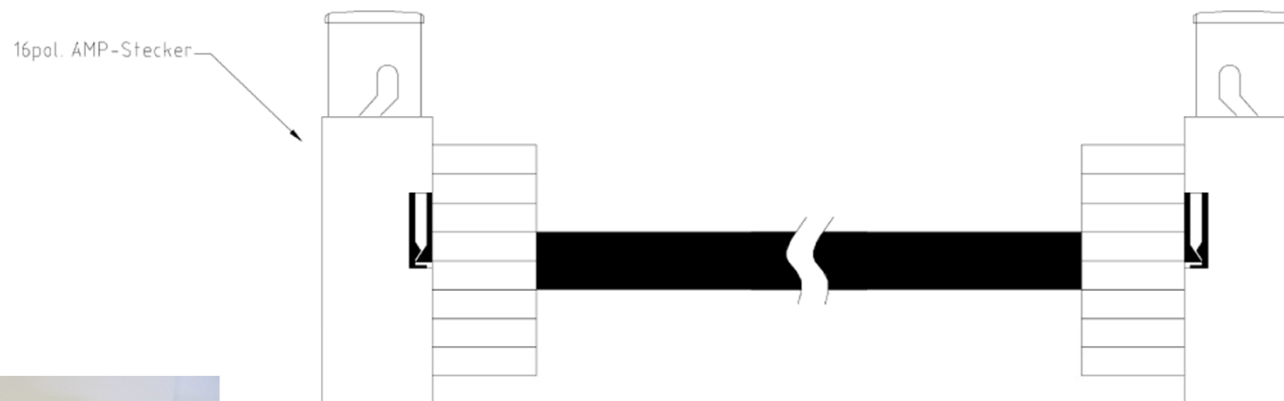
*Different cable lengths are available.*

*Please contact Müller-Elektronik for further information.*

## Cabling – ISOBUS connecting cable

### Purpose

Linking 2 ECU-MIDI 1.0



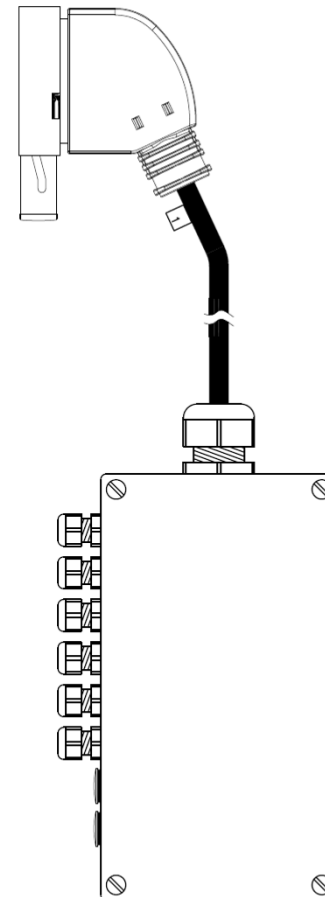
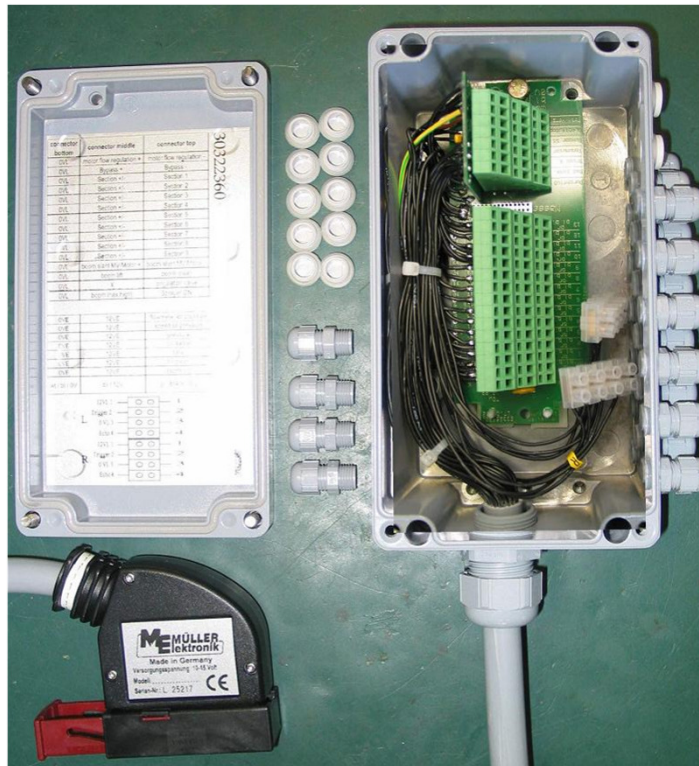
### References

- 30322355 (0,30m)
- 30322359 (1,50m)
- 30322357 (6,50m)

*Different cable lengths are available.*

*Please contact Müller-Elektronik for further information.*

## Cabling – Junction box



Junction box A – Regulation & sensors

**References**

- 30303214
- 30303218

Junction box B – Hydraulics

**References**

- 30303225
- 30303232

Junction box C – Sections

**References**

- 30303266
- 30303265

Junction box for F1

**References**

- 30322360

Junction box for F2

**References**

- 30322365

*Different cable lengths and pinnings are available.  
Please contact Müller-Elektronik for further information.*

## DGPS receiver

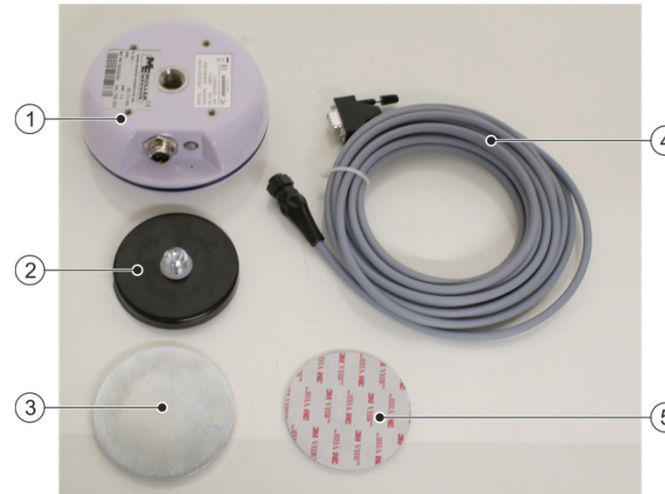
### Hemisphere A100

- EGNOS technology
- Accuracy: +/- 15/30 cm



### Hemisphere A320 GSM

- RTK technology
- Accuracy: +/- 2/3 cm



### Partlist

- |                    |                   |
|--------------------|-------------------|
| ① DGPS receiver    | ④ Connector cable |
| ② Magnetic footing | ⑤ Adhesive plate  |
| ③ Metal plate      |                   |

### References

- 30302462 (A100)
- 3030247501 (A320)
- 31302462 (cable 6m / n°4)

## Peripherals

### Multi-Function grip

- CAN communication
- 3x8 positions
- LED indicator



### References

- 3032258606 (CPC connector)
- 3032258305 (Sub-D connector)

### S-BOX 9 sections

- CAN communication
- 9 switches for sections
- 1 switch for spraying ON/OFF



### References

- 30322638 (CPC connector)
- 30322608 (Sub-D connector)

*Note: CPC for in-CAB connectors (ISO tractors)*

## TANK-Control

### Purpose

Measuring tank volumes

### Advantages

Allows all types of liquids

Allows irregular shapes of tank

Automatic stop of the filling sequence (1)

Wide range of water columns supported

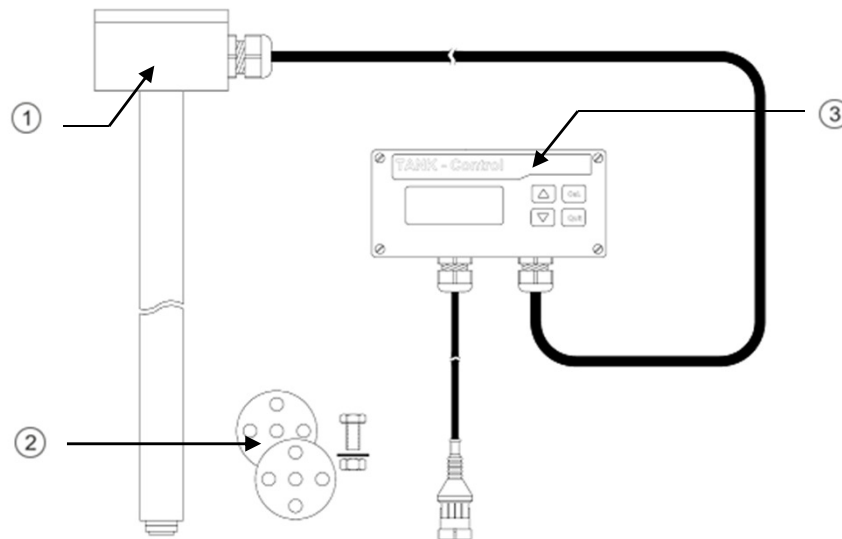
Display of the tank volume in the Sprayer interface



*(1) Requires access to the filling pump command*



## TANK-Control



### Partlist

- ① Floating gauge (6m long cable)
- ② Mounting kit
- ③ TANK-Control

### References

- 30252006 (Max measuring height: 1440mm)
- 30252021 (Max measuring height: 1840mm)
- 30252051 (Max measuring height: 2400mm)

*Different heights are available.*

*Please contact Müller-Elektronik for further information.*

### Cable to connect to Junction boxes

#### References

- 30303296 (4m)
- 30303297 (8m)



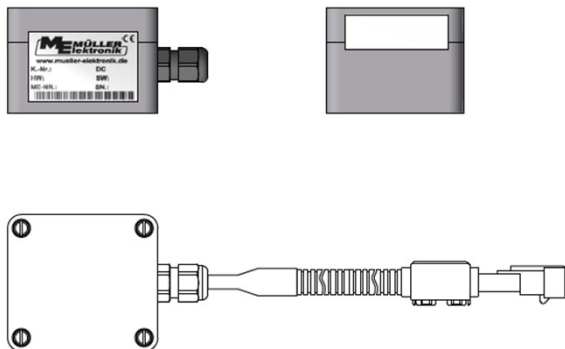
*Different lengths are available.*

*Please contact Müller-Elektronik for further information.*

## TRAIL-Control

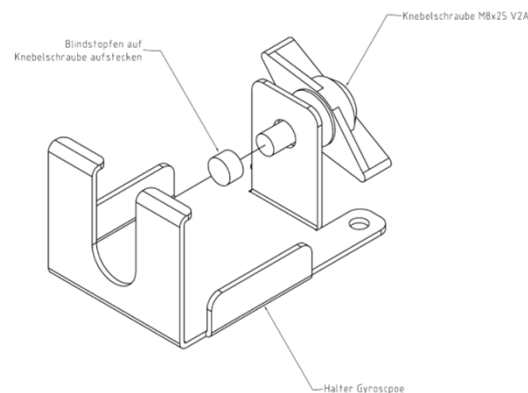
### Containing of the kit:

- Angle sensor (x1)
- Gyroscope (x1)
- Cable
- Mounting kit



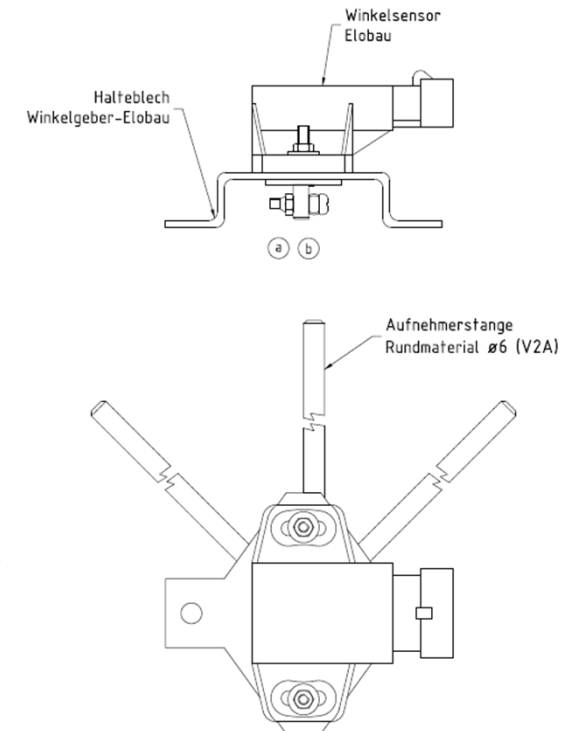
Gyroscope

- 31303160



Gyroscope bracket

- 31303161



Angle sensor

- 30303675

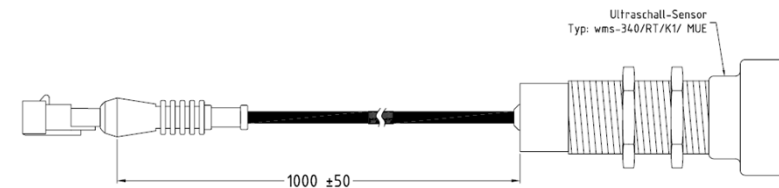
### References

- 30303015

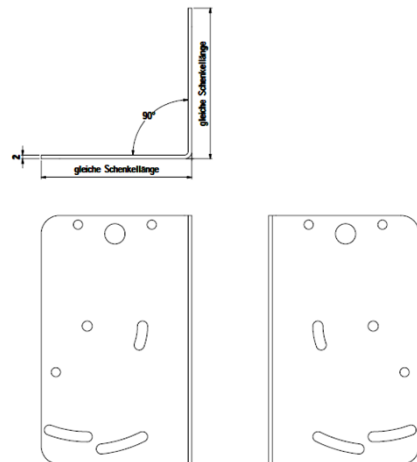
## DISTANCE-Control

### Containing of the kit:

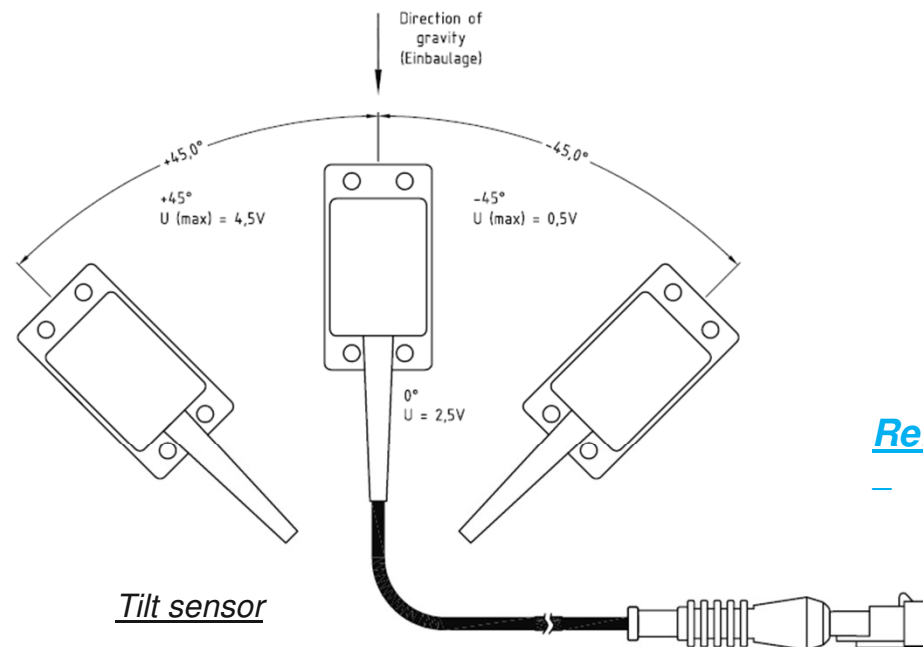
- Ultra-sound sensor (x2)
- 20m long cable for U-S sensor (x2)
- ELOBAU sensor
- Tilt sensor
- Mounting kit



Ultra-Sound sensor



U-S sensor bracket



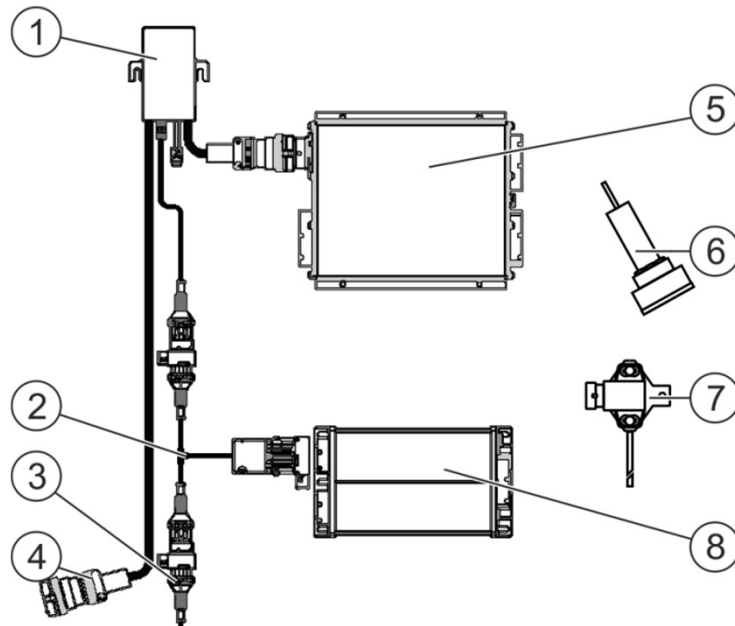
Tilt sensor

### References

– 30303058

## DISTANCE-Control II

### System overview:

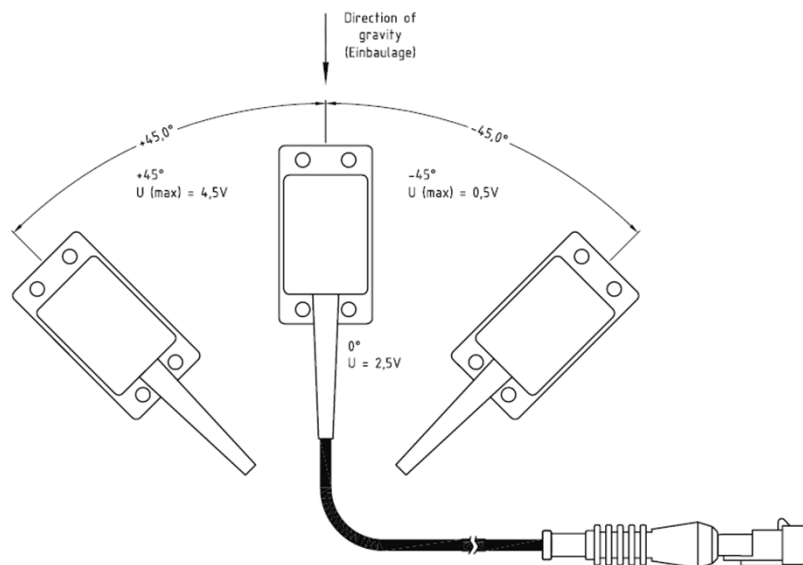


*Non appearing on this drawing:*  
**DISTANCE-Control 2 Junction box**  
*References*  
 - 30303167

- ① ISOBUS cable (with additional CAN outputs)  
*References*  
 - 30252110
- ② Y-cable  
*References*  
 - 30303164
- ③ End resistance  
*References*  
 - Provided with ①
- ④ ISOBUS connector
- ⑤ ECU-MAXI 1.0  
*References*  
 - 30303103
- ⑥ Ultrasonic sensors (x3)  
*Part of the sensor kit - 30217515*
- ⑦ Angle sensors (x2)  
*Part of the sensor kit - 30303675*
- ⑧ DISTANCE-Control 2 ECU  
*References*  
 - 30303165

## Spare parts

### Tilt sensor



#### References

– 30303690

### Pressure sensor WIKA

- 0-16 bar
- 1m cable
- AMP connector

#### References

– 30303591

– 31243210 (Mounting kit)

### Cable extension

- 8m
- To connect into Junction boxes



#### References

– 30303297

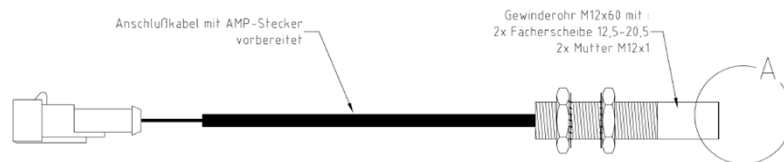
*Different lengths are available.*

*Please contact Müller-Elektronik for further information.*

## Spare parts

### Speed sensor

- Technology: Hall effect
- 1m long cable
- No magnet contained in this ref



#### References

– 31302006

### Magnet

- With screws
- Qty: 1

#### References

– 312140

### Flowmeter Bürkert

- 10 bar
- 7m cable, no connector
- 8-140 l/min (NW20)
- 14-220 l/min (NW25)

#### References

– 30244510 (NW20)

– 30244710 (NW25)

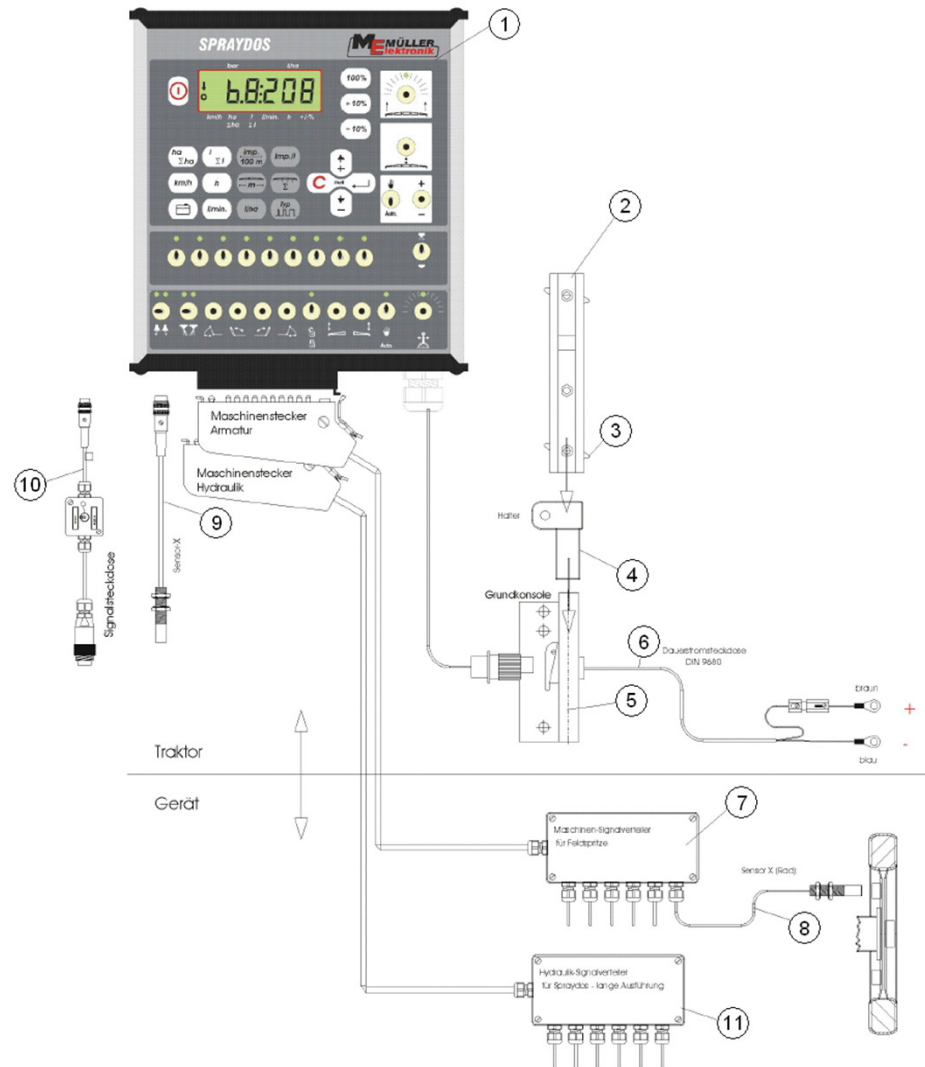
### Flowmeter Polmac

- 1", Turbo-Flow
- 30 bar
- 7m cable, no connector
- 6-140 l/min

#### References

– 30244910

## SPRAYDOS - Architecture



- ① **SPRAYDOS ECU**  
*References*  
- 30221020(Short version)  
- 30221170 (Long version)
- ② **Mounting profile**
- ③ **Wing screw**
- ④ **Bracket**  
*Provided with the SPRAYDOS ECU*
- ⑤ **Base equipment**  
*References*  
- 302724  
- 30273305  
- 302729
- ⑥ **Power cable**  
*Provided with the Base equipment*
- ⑦ **Machine signal Junction box**  
*References*  
- 30221070
- ⑧ **X sensor (wheel)**  
*Provided with Base equipment 30273305*
- ⑨ **X sensor (shaft / wheel)**  
*Provided with Base equipment 302724*
- ⑩ **Tractor signal plug**  
*Provided with Base equipment 302729*
- ⑪ **Hydraulic signal Junction box**  
*References*  
- 30221080

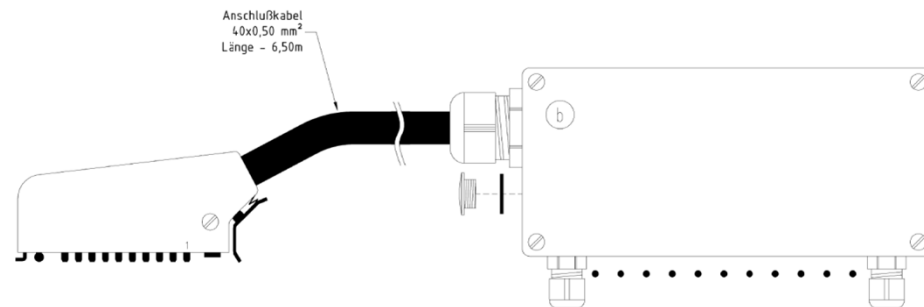
## Junction boxes

### Machine signal derivation box

- Cable length: 6,50m
- Used to connect:
  - Sensors
  - Sprayer controls

#### References

– 30221070

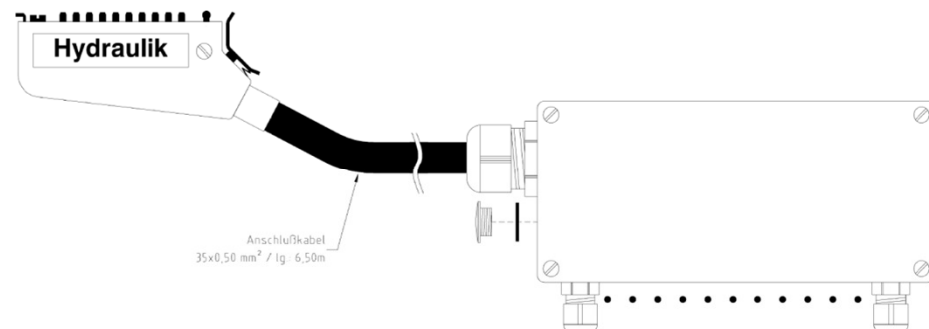


### Hydraulic derivation box

- Cable length: 6,50m
- Used to connect:
  - Hydraulic controls

#### References

– 30221080

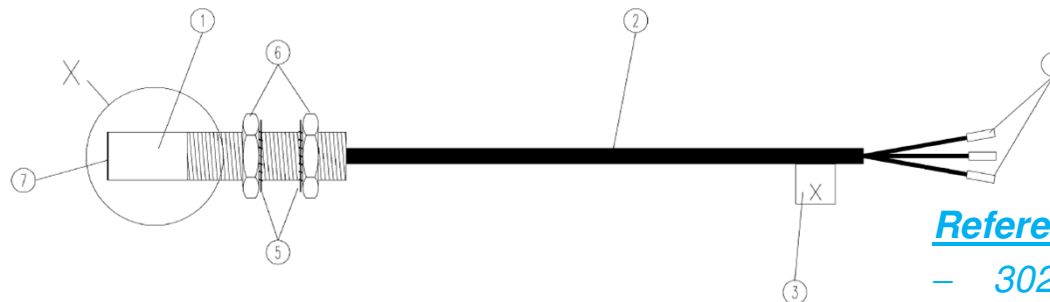




## Base equipment - Variants

### For trailed sprayers

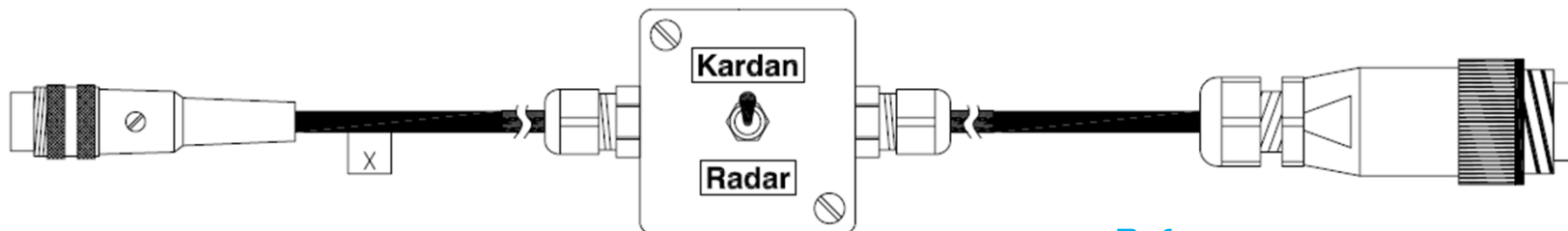
- Speed signal sensor: X sensor without connector (Cable length: 10m)
- Delivered with 12 magnets



References  
– 30273305

### For DIN 9684.1 / ISO11786 tractors

- Speed signal taken from the tractor

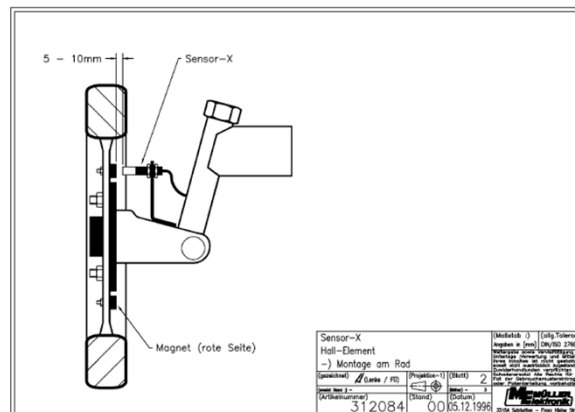


References  
– 302729

## Base equipment - Variants

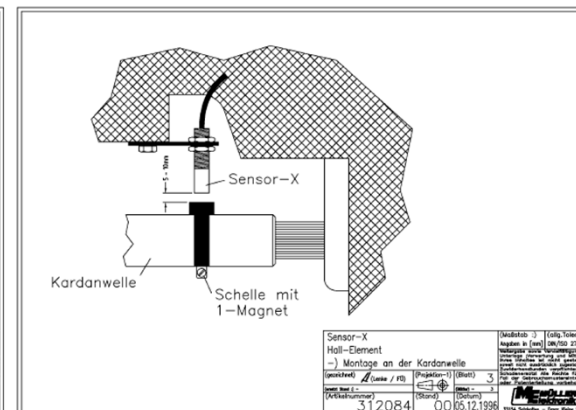
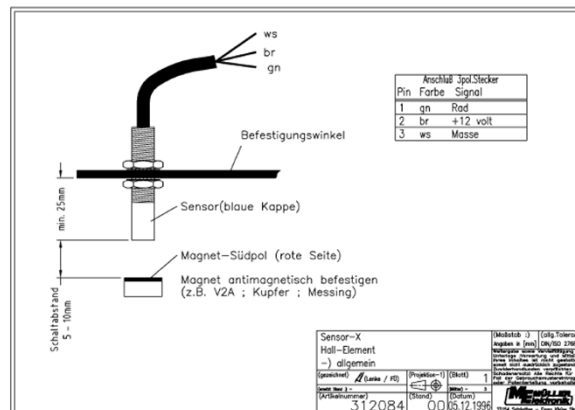
### For tractors with no signal connector

- ❑ Speed signal sensor: X sensor with connector (Cable length: 6m)
- ❑ Delivered with 5+2 round magnets



### References

- 302724 with magnets
- 312084 without magnet



## Flowmeters

### Flowmeter Bürkert NW20

- 10 bar
- 7m cable, no connector
- 8-140 l/min

#### References

– 30244510

### Flowmeter Bürkert NW25

- 10 bar
- 7m cable, no connector
- 14-220 l/min

#### References

– 30244710

### Flowmeter Polmac

- 1", Turbo-Flow
- 30 bar
- 7m cable, no connector
- 6-140 l/min

#### References

– 30244910

## Options

### Pressure sensor with AMP plug

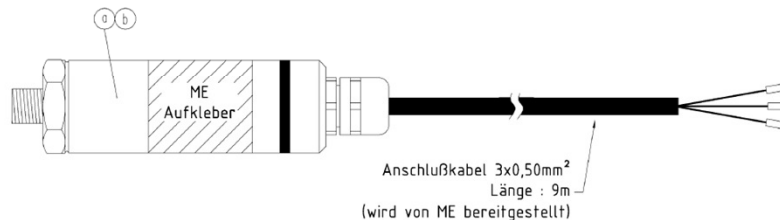
- 0-16 bar
- 1m cable
- AMP connector

#### References

– 30303591

### Pressure sensor without AMP plug

- 0-50 bar
- 9m cable
- no connector



#### References

– 312428

### Extension cable

- For sensors with 3pin AMP connectors
- 8m long
- For junction boxes



#### References

– 30303297

*Different lengths are available.*

*Please contact Müller-Elektronik for further information.*

### Pressure sensor equipment pack

#### Contains:

- Adapter 1/8" NPT
- Adapter 1/4" AG-NYB
- QJ Sealing cap, rubber

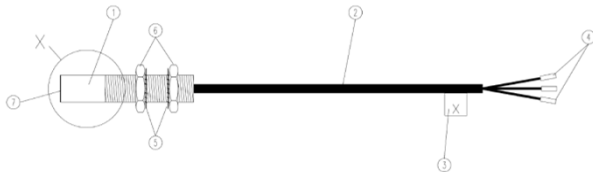
#### References

– 31243210

## Spare parts

### Speed sensor X – No connector

- 6m long cable
- Sold with 12 magnets

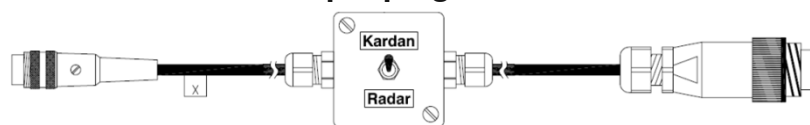


[References](#)  
– 312583

### Speed cable

#### For DIN 9684.1 / ISO11786 tractors

- With 3pin plug



[References](#)  
– 312120

### Speed sensor X – With connector

- 6m long cable
- Sold with 5+2 magnets

[References](#)  
– 312083

### Base equipment without speed sensor

- Bracket support
- No sensor X
- Power supply cable

[References](#)  
– 30273505

### Magnet (for wheels)

- With screws
- Qty: 1

[References](#)  
– 312140

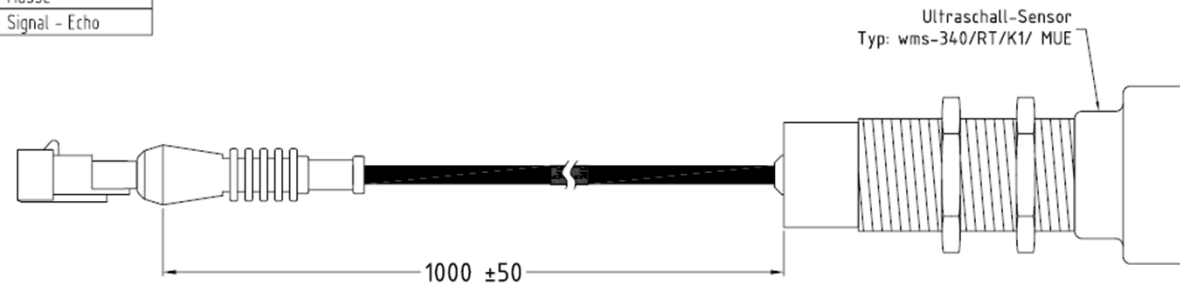
# OPTIONS / SPARE PARTS

## Ultrasonic sensor

Belegung AMP-Stecker		
Pinnr.	Farbe	Signal
1	br	+12Volt
2	ge	Steuerlfg. - Impuls
3	ws	Masse
4	gn	Signal - Echo

### References

– 30217510

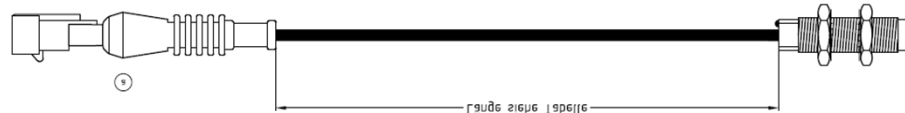


## Inductive Speed sensor – with connector

□ 1m long cable

### References

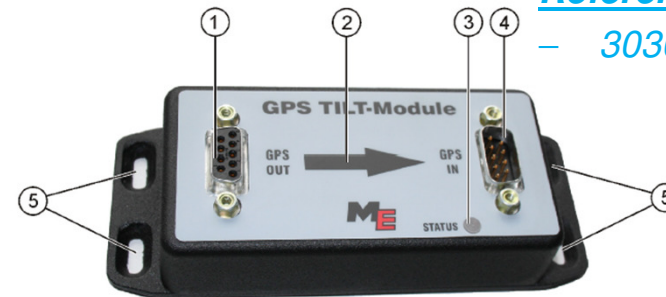
– 30303625



## Tilt modul

### References

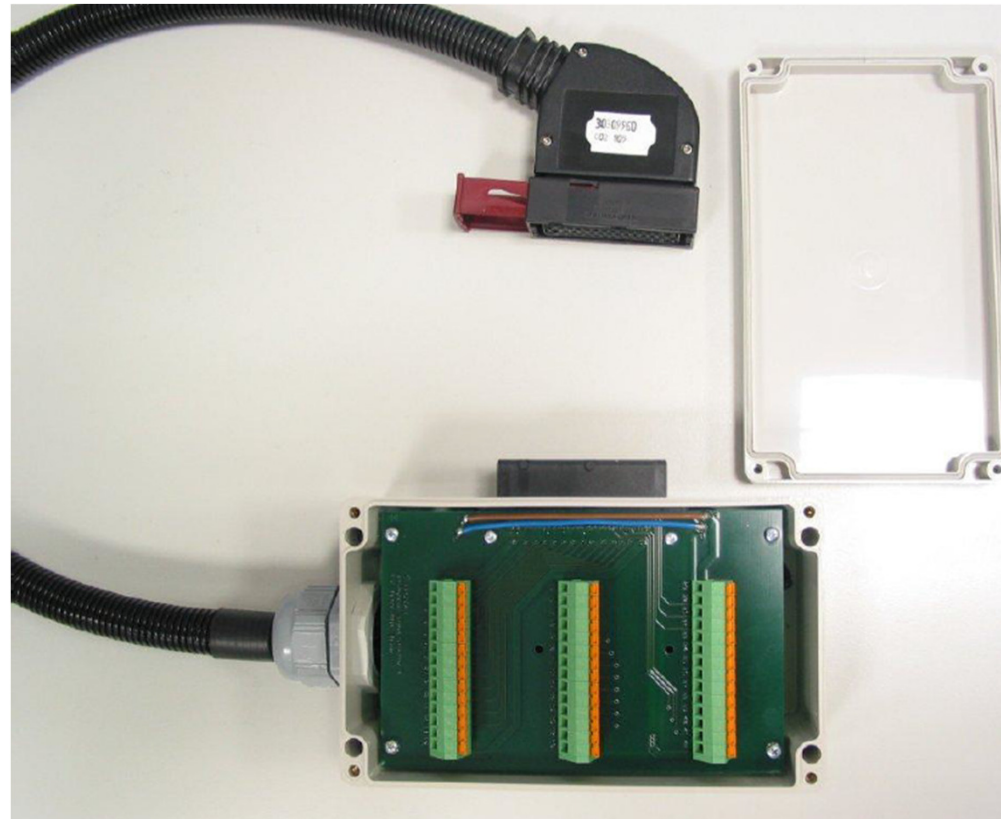
– 30302495



GPS TILT-MODULE – Product overview

①	<b>GPS output</b> Cable to terminal	④	<b>GPS input</b> Cable of the GPS antenna
②	<b>Directional arrow</b> Points forward in the direction of travel	⑤	<b>Openings for screws</b> To fasten the GPS TILT-Module
③	<b>Status LED</b>		

## Test box for After-Sale Technicians



### References

– 30309960

# OPTIONS / SPARE PARTS



## Box service / AMP connector for After-Sale Technicians



### References

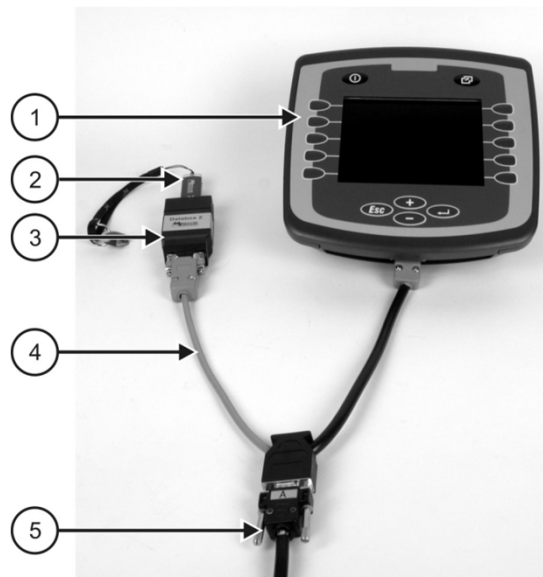
– 30309980



## Databox II / update ECU -Midi

### References

– 3032259205



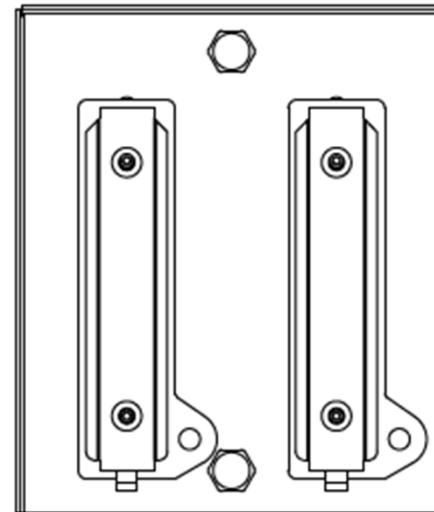
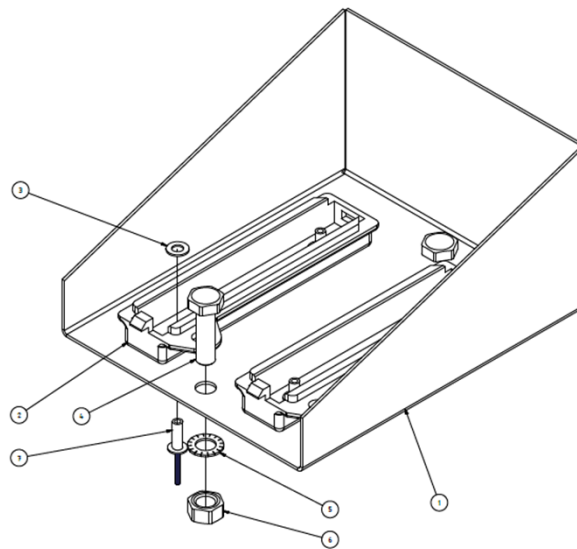
*DataBox connected to the CAN interface*

①	<b>Terminal</b>	④	<b>Adapter cable</b> Connects the DataBox 2 and the terminal with the connector cable. Can be re-ordered.
②	<b>USB flash drive</b>	⑤	<b>Connector cable</b> Included in the basic equipment package.
③	<b>DataBox 2</b>		

## Parkbox for connectors 30/39 pin

### References

- 312471



# SPARE PARTS

## Fuse holders and fuses 10 / 50 A

### References

– 31320902

