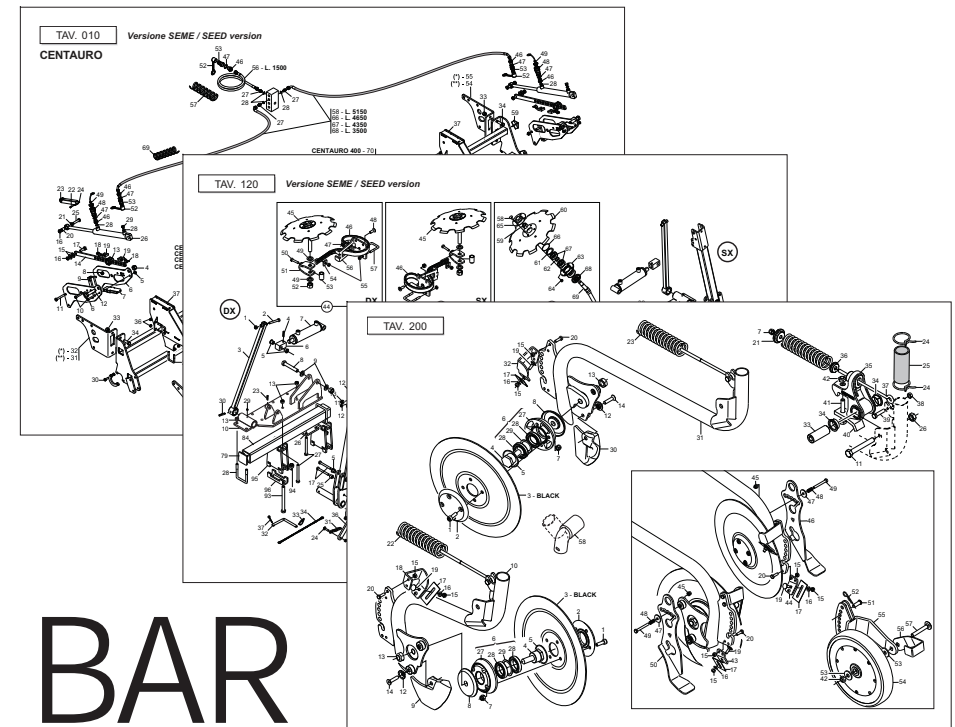


GASPARDO

MASCHIO GASPARDO S.p.A.

CENTAURO CEREAL SEEDING BAR



Cod: G19531510 2014-07

- *) Valido per Paesi UE
- *) Valid for EU member countries
- *) Valable dans les Pays UE
- *) Gilt für EU-Mitgliedsländer
- *) Válido para Países UE

- IT** PARTI DI RICAMBIO
- EN** SPARE PARTS
- DE** ERSATZTEILE
- FR** PIÈCES DÉTACHÉES
- ES** PIEZAS DE REPUESTO

PARTI DI RICAMBIO**SPARE PARTS****ERSATZTEILE****PIECES DÉTACHÉES****RESPUESTOS**

Le ordinazioni delle parti di ricambio vanno fatte presso i nostri concessionari di zona e devono essere sempre corredate dalle seguenti indicazioni:

- **Tipo, modello e numero di matricola dell'attrezzatura.** Tali dati sono stampigliati nell'apposita targhetta di cui è dotata ogni attrezzatura.

- **Numero di codice della parte richiesta** rilevabile dal catalogo ricambi.

- **Descrizione del particolare e quantità richiesta.**

- **Numero della tavola.**

- **Mezzo di trasporto.** Nel caso questa voce non sia specificata, la Ditta Costruttrice, pur dedicando a questo servizio una particolare cura, non risponde di eventuali ritardi di spedizione dovuti a cause di forza maggiore.

Le spese di trasporto si intendono sempre a carico del destinatario. La merce viaggia a rischio e pericolo del committente anche se venduta franco destino.

NOTA: Il termine **(Dx) Destro** o **(Sx) Sinistro** della macchina o di parti di essa, è inteso guardando la macchina dalla parte posteriore. Le eccezioni saranno indicate.

Orders must be transmitted through our area dealers and should always include the following indications:

- **Type, model and serial number of the machine.** *These data are punched on the data plate with which every implement is equipped.*

- **Code number of the required spare part.** *This will be found in the spare parts catalogue.*

- **Description of the part and required quantity.**

- **Table number.**

- **Means of dispatch.** *If this item is not indicated, the Manufacturer, while dedicating particular care to this service, shall not be held responsible for delays in delivery caused by cases of force majeure.*

Transport expenses shall always be at the consignee's charge. The goods travel at the purchaser's risk and peril even when sold ex destination.

NOTE: *The symbols (Dx) right and (Sx) left, concerning the machine or single parts of it, are referred, as in the figure, to a rear view of them. Exceptions will be indicated.*

Die Bestellungen müssen bei unseren Gebietshändler aufgegeben werden. Bei der Bestellung sind stets die folgenden Angaben zu machen:

- **Typ, Modell und Serien-Nummer des Geräts.** Diese Daten stehen auf dem Typenschild, mit dem jedes Gerät versehen ist.

- **Artikel Nr. der erforderlichen Ersatzteile.** Diese stehen im Ersatzteil-Katalog.

- **Beschreibung des Ersatzteils und die erforderliche Stückzahl.**

- **Tafelnummer.**

- **Versandmittel.** Wenn dieser Punkt nicht spezifiziert wird, haftet die Herstellerfirma nicht für etwaigen Lieferverzug aufgrund höherer Gewalt, auch wenn er diesen Service besonders aufmerksam abwickelt. Die Frachtkosten gehen dagegen immer zu Lasten des Empfängers. Die Ware reist auf Gefahr und Risiko des Auftraggebers, auch wenn frei Haus Verkauft vereinbart worden ist.

N.B.: Die Merkzeichen **(Dx) rechts** und **(Sx) links** betreffen eine rückwärtige Aussicht der Maschine oder Teile von ihr (siehe Bild). Ausnahmen werden gezeigt.

Les ordres doivent être effectués auprès de nos concessionaires de zone en précisant les indications suivantes:

- **Type, modèle et numéro de série de la machine.** *Ces données sont gravées sur la plaque d'identification de chaque outil.*

- **Numéro de code de la pièce détachée** indiqué sur le catalogue des pièces détachées.

- **Description de la pièce et quantité requise.**

- **Numéro de plan.**

- **Moyen d'expédition.** *Si cette rubrique n'est pas indiquée, le Constructeur, bien que soucieux de ce service, ne répond pas des retards d'expédition pour des causes de force majeure.*

Les frais de transport sont toujours à la charge du destinataire. La marchandise voyage aux risques et périls de l'acheteur même si vendue franco de port.

N.B.: *Les références (Dx) droit et (Sx) gauche de la machine ou des parties de la même, est entendue, comme de la figure, en regardant la machine de derriere dans le sens de marche.*

Los pedidos han de efectuarse en nuestros consesionarios de zona y deben incluir siempre las siguientes indicaciones:

- **Tipo, modelo y número de matricula del equipo.** Dichos datos están impresos en la relativa placa presente en el equipo.

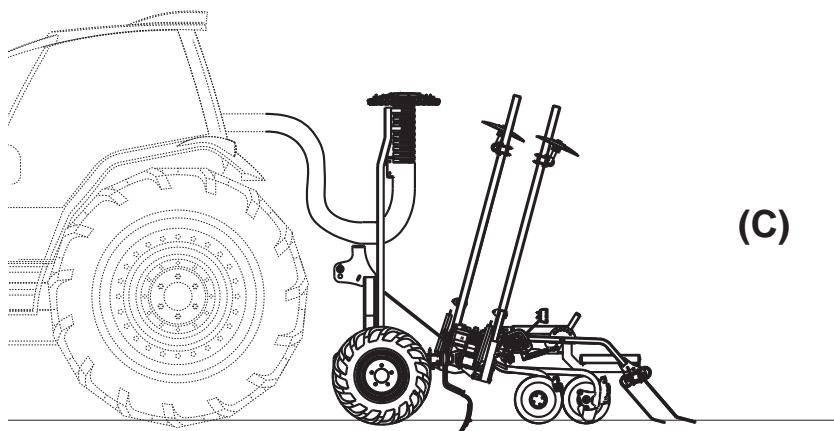
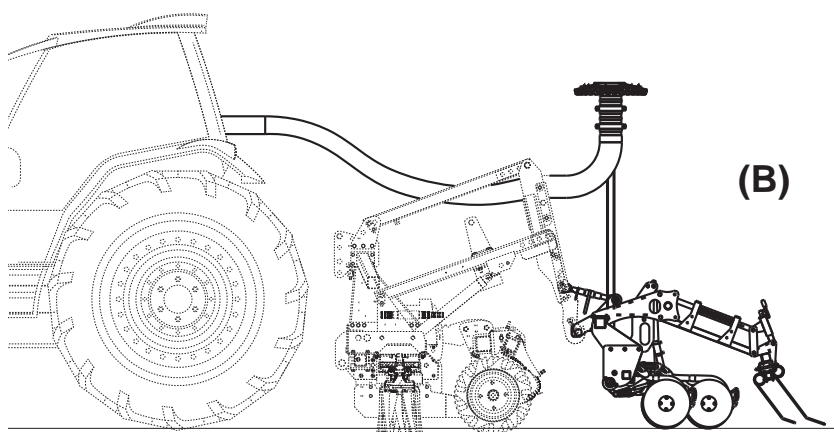
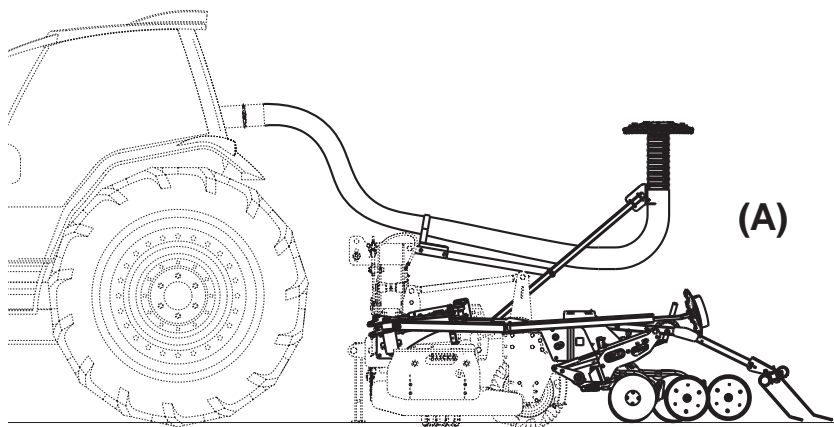
- **Número de código de la parte requerida** presente en el catálogo respuestas.

- **Descripción de la pieza y cantidad requerida.**

- **Numero de ilustración.**

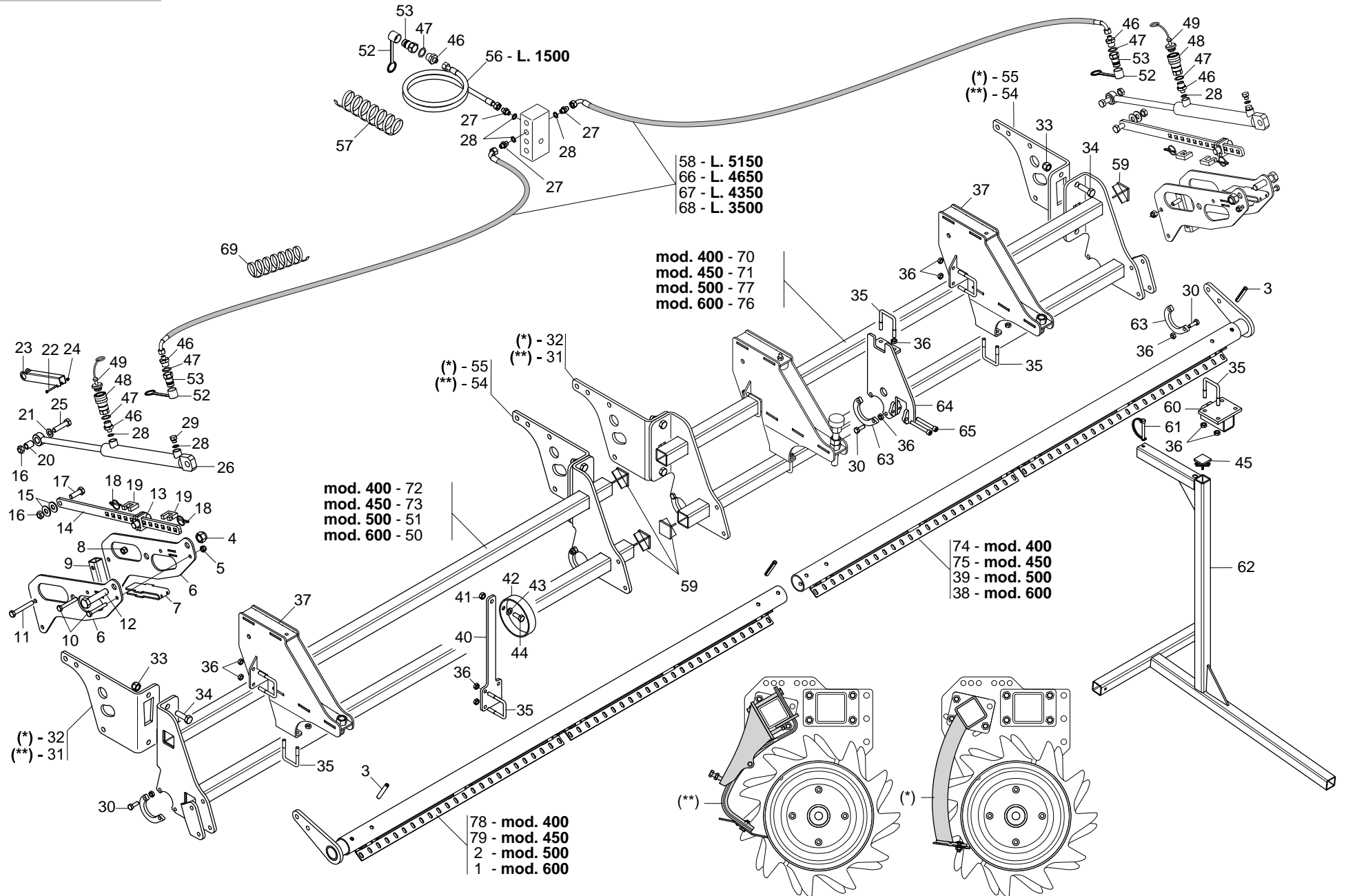
- **Medio de transporte.** En caso que este ítem no esté especificado, el Fabricante, aún prestando la debidas consideraciones para este aspecto, no responde por eventuales retardos de env'o debidos a causas de fuerza mayor. Los gastos de transporte se consideran siempre a cargo del destinatario. La mercadería viaja bajo riesgo y peligro del comprador, incluso cuando se vende franco destino.

N.B.: La refencia **(Dx) derecha** o **(Sx) izquierda** de la máquina o de sus componentes, se entiende, como en la figura, mirando la máquina por la parte trasera. Se indicarán las excepciones.



cod. G19531510

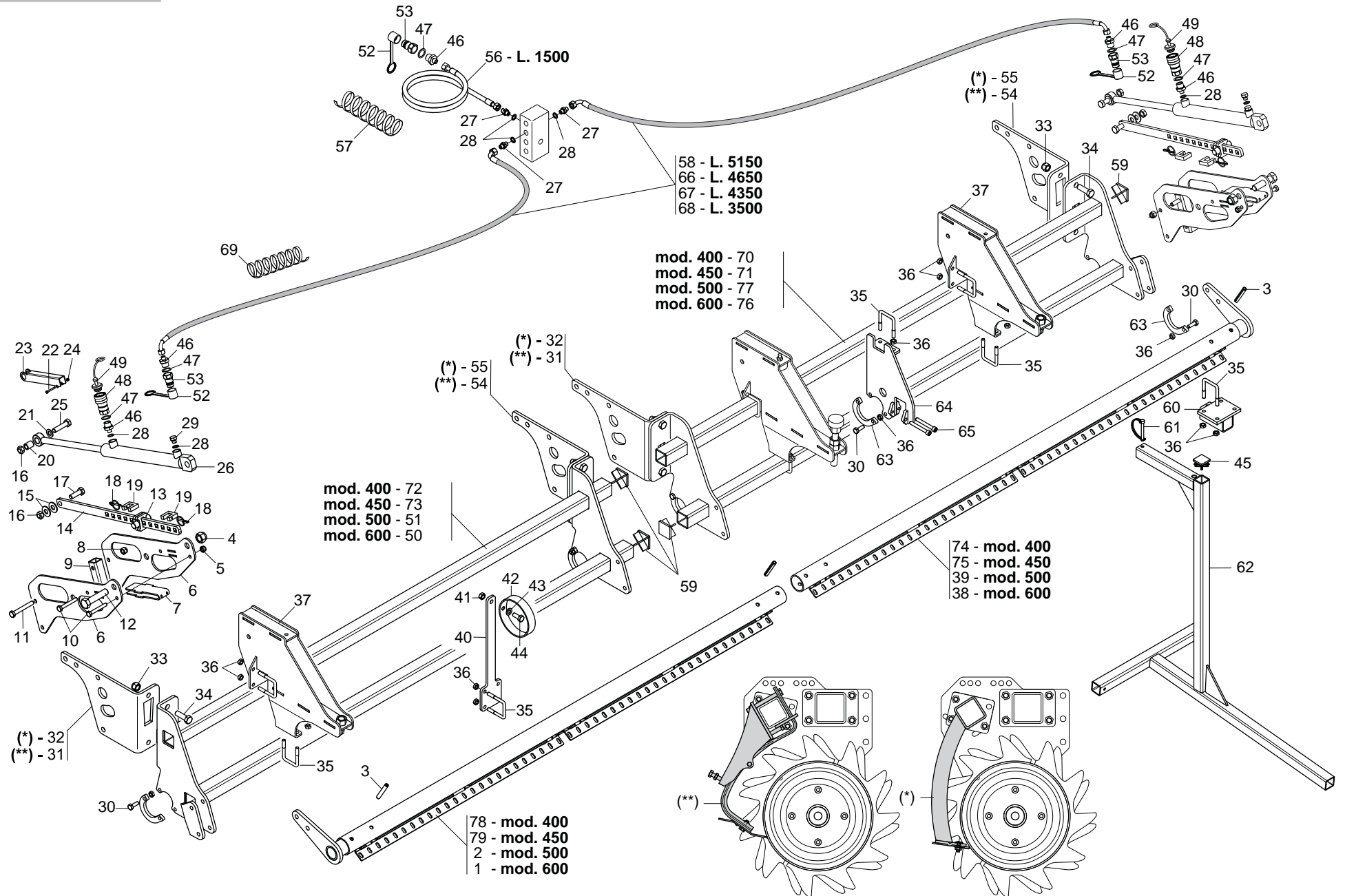
Nr. Tav.	Descrizione - Description	Pag.
(A) CENTAURO (mod. 400 - 450 - 500 - 600)		
TAV. 010	Telaio barra di semina	4
TAV. 020	Teste di distribuzione	8
TAV. 030	Segnafile	10
TAV. 040	Impianto oleodinamico segnafile	12
TAV. 050	Erpice copriseme	14
(B) BARRA CEREALI COMBINATA (mod. 300 - 350 - 400 - 450)		
TAV. 110	Telaio supporto elementi	16
TAV. 120	Pressione assolcatori	18
TAV. 130	Impianto oleodinamico pressione assolcatori	20
TAV. 140	Segnafile	22
TAV. 141	Segnafile	26
TAV. 150	Erpice copriseme	28
(A - B) Comune		
TAV. 210	Assolcatori a stivaletto	30
TAV. 220	Assolcatori a disco semplice	32
TAV. 230	Assolcatori a disco semplice	34
TAV. 240	Assolcatori a disco COREX	36
TAV. 250	Tracciasentieri posteriore	38
(C) BARRA CEREALI PORTATA (mod. 500 - 600)		
TAV. 310	Telaio (mod. 500)	40
TAV. 320	Impianto oleodinamico telaio (mod. 500)	42
TAV. 330	Telaio (mod. 600)	44
TAV. 340	Impianto oleodinamico telaio (mod. 600)	46
TAV. 350	Ruote (mod. 500)	48
TAV. 360	Ruote (mod. 600)	50
TAV. 370	Pedana e scaletta (mod. 500)	52
TAV. 380	Pedana e scaletta (mod. 600)	54
TAV. 390	Segnafile (mod. 500)	56
TAV. 400	Segnafile (mod. 600)	58
TAV. 410	Teste di distribuzione	60
TAV. 420	Telaio porta-elementi assolcatori (mod. 500)	62
TAV. 430	Telaio porta elementi assolcatori (mod. 600)	64
TAV. 440	Assolcatori a stivaletto	66
TAV. 450	Assolcatori a disco semplice	68
TAV. 460	Assolcatori a disco semplice	70
TAV. 470	Assolcatori a disco COREX	72
TAV. 480	Erpice copriseme	74



TELAIO BARRA DI SEMINA

TAV. 010

Pos.	Cod.	Descrizione	Description	Description	Benennung	Descripcion
1	G17340120	ASS.TUBO TENDITORE 300 SX	ASS.TENSION TUBE 300 LEFT			
2	G17340150	ASS.TUBO TENDITORE 250 SX	ASS.TENSION TUBE 250 LEFT			
3	F02100181	SPINA E.P. 12X 80 U6873 C70 BR	PIN EL. 12X 80 U6873 C70 BR	FICHE EL. 12X 80 U6873 C70 BR	SPANNSTIFT 12X 80 U6873 C70 BR	CLAVIJA EL.12X 80 U6873 C70 BR
4	F01230131	DADO M20X2,5 D982 6ZN	NUT M20X2,5 D982 6ZN	ECROU M20X 2,5 D982 6 ZN	MUTTER M20X 2,5 D982 6 ZN	TUERCA M20X 2,5 D982 6 ZN
5	F01230048	DADO M10X1,5 D982 8ZN	NUT M10X1,5 D982 8ZN	ECR.AUTO-FREIN.M10X1,5 D982 ZN	SICHERUNGSMUTT.M10X1,5 D982 ZN	TUERCA SEGURID.M10X1,5 D982 ZN
6	G16042460	SUPPORTO REGOLAZIONE	ADJUSTING SUPPORT			
7	G16042420	RINFORZO	REINFORCEMENT			
8	F01230059	DADO M12X1,75 D982 8ZN	NUT M12X1,75 D982 8ZN	ECROU AUTO-FREINES M12 D982 ZN	SICHERUNGSMUTTER M12 D982 ZN	TUERCA DE SEGURIDAD M12 D982ZN
9	G17340100	TUBO Q. 35X 4X 135 FORI D.13	TUBE Q. 35X 4X 135 HOLES D.13			
10	F01020125	VITE M10X1,5X75 U5737 8.8ZN	SCR. M10X1,5X75 U5737 8.8ZN	VIS 10X75 5737 8.G ZN	SCHRAUBE 10X75 5737 8.G ZN	TORNILLO 10X75 5737 8.G ZN
11	F01020168	VITE M12X1,75X90 U5737 8.8ZN	SCR. M12X1,75X90 U5737 8.8ZN	VIS M12X1,75X90 U5737 8.8 ZN	SCHRAB.M12X1,75X90 5737 8.8 ZN	TORNIL.M12X1,75X90 5737 8.8 ZN
12	F01020325	VITE M20X2,5X90 U5737 10.9ZD	SCR. M20X2,5X90 U5737 10.9ZD			
13	G16042430	GUIDALAMA	GUIDEBLADE			
14	G16042410	ASTA REGOLAZIONE	ADJUSTAMENT ROD	TIGE REGLAGE	EINSTELLSTANGE	VARILLA REGULACIN
15	G18700760	RONDELLA 16X36X3 ZN	WASHER 16X36X3- GALVANIZED	RONDELLE 16X36X3 ZN	UNTERLEGSSCHEIBE 16X36X3	ARANDELA 16X36X3 ZN
16	F01220255	DADO M14X2 D980 8ZN	NUT M14X2 D980 8ZN	ECROU TRISTOP M14X2 D980 8 ZN	MUTTER TRISTOP M14X2 D980 8 ZN	TUERCA TRISTOP M14X2 D980 8 ZN
17	F01020198	VITE M14X2X45 U5737 8.8ZN	SCR. M14X2X45 U5737 8.8ZN	VIS 14X45 5737 8.G ZN *	SCHRAUBE 14X45 5737 8.G ZN *	TORNILLO 14X45 5737 8.G ZN *
18	F02200452	SPINA SCATTO D.4,4 B/80 ZN	SNAP PIN D4.4 B/80 ZN	FICHE A DETENTE D4.4 B/80 ZN	EINRASTSTIFT D4.4 B/80 ZN	CLAVIJA DE MUELLE D4,4 B/80 ZN
19	G16042490	FERMO ZN	LOCK ZN			
20	G18803250	BOCCOLA 14,25X20 X26 ZN	BUSHING 14,25X20 X26 GALVA	BOITE 14,25X20 X26 ZN	BsCHSE 14,25X20 X26 ZN	CASQUILLO 14,25X20 X26 ZN
21	F01410088	ROS.M14 15X 28X2,5 U6592 ZN	WAS.M14 15X 28X2,5 U6592 ZB	RON.M14 15X 28X2,5 U6592 ZB	SCH.M14 15X 28X2,5 U6592 ZB	ARA.M14 15X 28X2,5 U6592 ZB
22	F01020012	VITE M4X0,7X40 U5737 8.8ZN	SCR. M4X0,7X40 U5737 8.8ZN	VIS 4X40 5737 8.G ZN	SCHRAUBE 4X40 5737 8.G ZN	TORNILLO 4X40 5737 8.G ZN
23	G17340110	FERMO PER CILINDRO ZN	CYLINDER LOCK ZN			
24	F01230016	DADO M4X0,7 D982 8ZN	NUT M4X0,7 D982 8ZN	ECROU AUTOB.NOR.4 ZN	SELBSTSP. MUTTER NOR. 4 ZN	TUERCA AUTOB. NOR. 4 ZN
25	F01020203	VITE M14X2X60 U5737 8.8ZN	SCR. M14X2X60 U5737 8.8ZN	VIS M 14X60	SCHRAUBE M 14X60	TORNILLO M 14X60
26	G16012962	CILINDRO DE 32X20 -275	CYLINDER D.E. 32X20 -275	CYLINDRE D.E. 32X20 -275	ZYLINDER D.E. 32X20 -275	CILINDRO D.E. 32X20 -275
27	F03150266	NIPPLIO MM CIL-CIL 1/4-1/4 ZN	NIPPLE GALV.CYL.MALE 1/4 ZN	NIPPLE MALE CYL. 1/4 ZN	NIPPELZYL.1/4 ZN	NIPLE MACHO CIL.1/4 ZN
28	F01500012	RONDELLA IN RAME 1/4"	COPPER WASHER 13X19X1,5-1/4"	RONDELLE	SCHEIBE	ARANDELA
29	F03150701	TAPPO OLIO 1/4 GAS TC2	OIL PLUG 1/4 GAS TC2			
30	F01020476	VITE M10X1,5X30 U5739 8.8ZN	SCR. M10X1,5X30 U5739 8.8ZN	VIS M10X1,5X30 U5739 8.8 ZN	SCHRAUBE M10X1,5X30U5739 8.8ZN	TORNIL.M10X1,5X30 U5739 8.8 ZN
31	G17312480	LAMA SX ATTACCO RULLO	LEFT BLADE ROLL HITCH			
32	G17311710	LAMA SU RULLO	ON ROLLER BLADE			
33	F01230085	DADO M16X2 D982 8ZN	NUT M16X2 D982 8ZN	ECROU M16X 2 D982 8 ZN	MUTTER M16X 2 D982 8 ZN	TUERCA M16X 2 D982 8 ZN
34	F01020287	VITE M16X2X50 U5737 10.9ZD	SCR. M16X2X50 U5737 10.9ZD	VIS M16X 2X 50 U5737 10.9 ZN	SCHR. M16X 2X 50 U5737 10.9 ZN	TORN. M16X 2X 50 U5737 10.9 ZN
35	F20110715	CAV.Q.B=50 M=10X1,5 L=80	UBOLTSTRIKER Q.B=50M10X1,5L=80	BUTEE M10X 1,5X 30 61X 80 ZB	ANSCHLAG M10X 1,5X 30 61X 80	EL. DE EMPALME M10X 1,5X 30
36	F01220033	DADO M10X1,5 D980 8ZN	NUT M10X1,5 D980 8ZN	ECROU M10X 1,5 D980 8 ZN	MUTTER M10X 1,5 D980 8 ZN	TUERCA M10X 1,5 D980 8 ZN
37	G17311631	SUPPORTO ERPICE	HARROW SUPPORT			
38	G17340060	ASS.TUBO TENDITORE 300 DX	ASS.TENSION TUBE 300 RIGHT			
39	G17340130	ASS.TUBO TENDITORE 250 DX	ASS.TENSION TUBE 250 RIGHT			
40	G17916000	LAMA SUPPORTO TUBI	PIPE SUPPORT	SUPPORT TUBES	ROHRHALTERUNG	SOPORTE TUBOS
41	F01220048	DADO M12X1,75 D980 8ZN	NUT M12X1,75 D980 8ZN	ECROU M12X1,75 D980 8 ZN	SCHEIBE M12X1,75 D980 8 ZN	TUERCA M12X1,75 D980 8 ZN
42	G16016580	ANELLO SUPPORTO TUBI	SUPPORTING RING	BAGUE SUPPORT	HALTERUNGSRING	ANILLO SOPORTE
43	F01410076	ROS.M12 13X 24X2,5 U6592 ZN	WASHER 12 13X 24X2,5 U6592 ZN	RONDEL. M12 13X24X2,5 U6592 ZN	SCHEIBE M12 13X24X2,5 U6592 ZN	ARANDELA M12 13 X24X2,5 ZN
44	F01020510	VITE M12X1,75X30 U5739 8.8ZN	SCR. M12X1,75X30 U5739 8.8ZN			
45	F20120348	PUNTALE Q.40 NERO	SQUARE TIP 40 BLACK			
46	F03150211	NIPPLIO MM CIL-CIL 1/2-1/4 ZN	NIPLE MM CIL-CIL 1/4-1/2 ZN	NIPLE MM 1/4-1/2 ZN	NIPLE GG 1/4-1/2 ZN	NIPLE MM 1/4-1/2 ZN
47	F03151237	ROS. 21 X27X1,5 RAME -1/2"	COPPER WASHER 21X27X1,5 1/2	RONDELLE CUIVRE 21X27X1,5 1/2	SCHEIBE KUPFER 21X27X1,5 1/2	ARANDELA COBRE 21X27X1,5 1/2
48	F03150948	INNESTO RAP.FEMM.1/2 A VALVOLA	QUICK-CONNECT 1/2 VALVE FEM.	ACCOUPL. RAPIDE FEM.1/2 VANNE	SCHNELLKUPPLUNG NUT 1/2	ACOPLA. RAP.HEMB.1/2 VÁLVULA
49	F05150327	CAPPUC.M X INN.F RAP.1/2 BLU	CAP INN.F RAP.1/2 BLUE			
50	G17311611	ASS.SUPPORTO ELEMENTI 300 SX	ASS.L. SUPPORT ELEMENTS 300			
51	G17311751	ASS.SUPPORTO ELEMENTI 250 SX	ASS.L. SUPPORT ELEMENTS 250			
52	F05150325	CAPPUC.F X INN.M RAP.1/2 ROSSO	COVER CONNECT F 1/2 RED	COUVERCLE CONNEXION F 1/2 ROSE	DECKEL W 1/2 SCHNELLKUPP. ROT	PAC PROTECCION F 1/2 ROJO
53	F03150935	INNESTO RAP.MASCH.1/2 A VALV.	QUICK CONNECT MALE CONE 1/2	CONNEXION RAPIDE MALE CONE 1/2	SCHNELLKUPP.GEWINDE KONISC 1/2	ACOPLAMIENT.RAP.MACHO CONO 1/2
54	G17312490	LAMA DX ATTACCO RULLO	HITCH SHEET ROLLER RIGHT			
55	G17311720	LAMA SU RULLO	ON ROLLER BLADE			



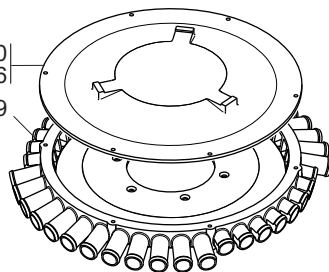
TELAIO BARRA DI SEMINA

TAV. 010

Pos.	Cod.	Descrizione	Description	Description	Benennung	Descrpcion
56	G22270463	TUB.TR.1/4R2 F-F 1/4 L1500 LM	TUBE TR.1/4R2 F-F1/4 L1500 LM	TUB.TR.1/4R2 F-F 1/4 L1500 LM	ROHR1/4R2 F-F 1/4 L1500 LM	TUB.TR.1/4R2 F-F 1/4 L1500 LM
57	F05150485	SPIRALE PROTETTIVA D.44-50	SPIRAL GUARD D.44-50	SPIRALE PROTECTION	SPIRAL SCHUTZ	ESPIRAL PROTECIÉN
58	G17915350	TUBO 1/4R2 F-CF L.5150	PIPE 1/4R2 F-CF L.5150			
59	F20120349	PUNTALE Q.50 ALETT.POLIT.NERO	CAP	BOUCHON	DECKEL	CORCHO
60	G17312050	SUPPORTO PUNTELLO	PROP SUPPORT			
61	F02200562	SPINA SICUR. D. 8X70 ZN	SNAP PIN D.8X 70 ZN	FICHE EL. D.8X70 ZN	SCHERSTIFT D.8X 70 ZN	CLAVIJA D.8X 70 ZN
62	G17312060	PUNTELLO BARRA DI SEMINA	SEEDING BAR PROP			
63	G16312530	ANELLO CHIUSURA INFERIORE ZN	CLOSURE RING INFERIORE ZN			
64	G17340180	ASS.SUPPORTO CENTRALE	ASSY CENTRAL SUPPORT			
65	F01040129	VITE M10X1,5X80 U5931 8.8ZN	SCR. M10X1,5X80 U5931 8.8ZN	VIS M10X 1,5X 80 U5931 8.8 ZG	SCHRAUBE M10X 1,5X 80 U5931 8.	TORNIL. M10X 1,5X 80 U5931 8.8
66	G15413080	TUBO 1/4 C-F L.4650	TUBE 1/4 C-F L.4650	TUBE 1/4 C-F L.4650	ROHR 1/4 C-F L.4650	TUBO 1/4 C-F L.4650
67	G17915340	TUBO 1/4R2 F-CF L.4350	TUBE 1/4R2 F-CF L.4350			
68	G15210561	TUBO 1/4R2 CF1/4- F1/4 3500	PIPE 1/4R2 CF1/4- F1/4 3500	TUBE 1/4R2 CF1/4- F1/4 3500	ROHR 1/4R2 CF1/4- F1/4 3500	TUBO 1/4R2 CF1/4- F1/4 3500
69	F05150484	SPIRALE PROTETTIVA D.27-32	PROTECTIVE SPIRAL D.27-32	SPIRALE DE PROTECTION D.27-32	SPIRAL SCHUTZ D.27-32	ESPIRAL PROTECIEN D.27-32
70	G17312550	BARRA SUPP.EL.200 DX	ELEM.200 SUPP BAR RIGHT			
71	G17312740	BARRA SUPP.EL.225 DX	ELEM.225 SUPP BAR RIGHT			
72	G17312560	BARRA SUPP.EL.200 SX	ELEM.200 SUPP BAR LEFT			
73	G17312750	BARRA SUPP.EL.225 SX	ELEM.225 SUPP BAR LEFT			
74	G17340230	ASS.TUBO TENDITORE 200 DX	ASS.TENSION TUBE 200 RIGHT			
75	G17340270	ASS.TUBO TENDITORE 225DX	ASS.TENSION TUBE 225 RIGHT			
76	G17311551	ASS.SUPPORTO ELEMENTI 300 DX	ASS.R. SUPPORT ELEMENTS 300			
77	G17311741	ASS.SUPPORTO ELEMENTI 250 DX	ASS.R. SUPPORT ELEMENTS 250			
78	G17340240	ASS.TUBO TENDITORE 200 SX	ASS.TENSION TUBE 200 LEFT			
79	G17340280	ASS.TUBO TENDITORE 225SX	ASS.TENSION TUBE 225 LEFT			

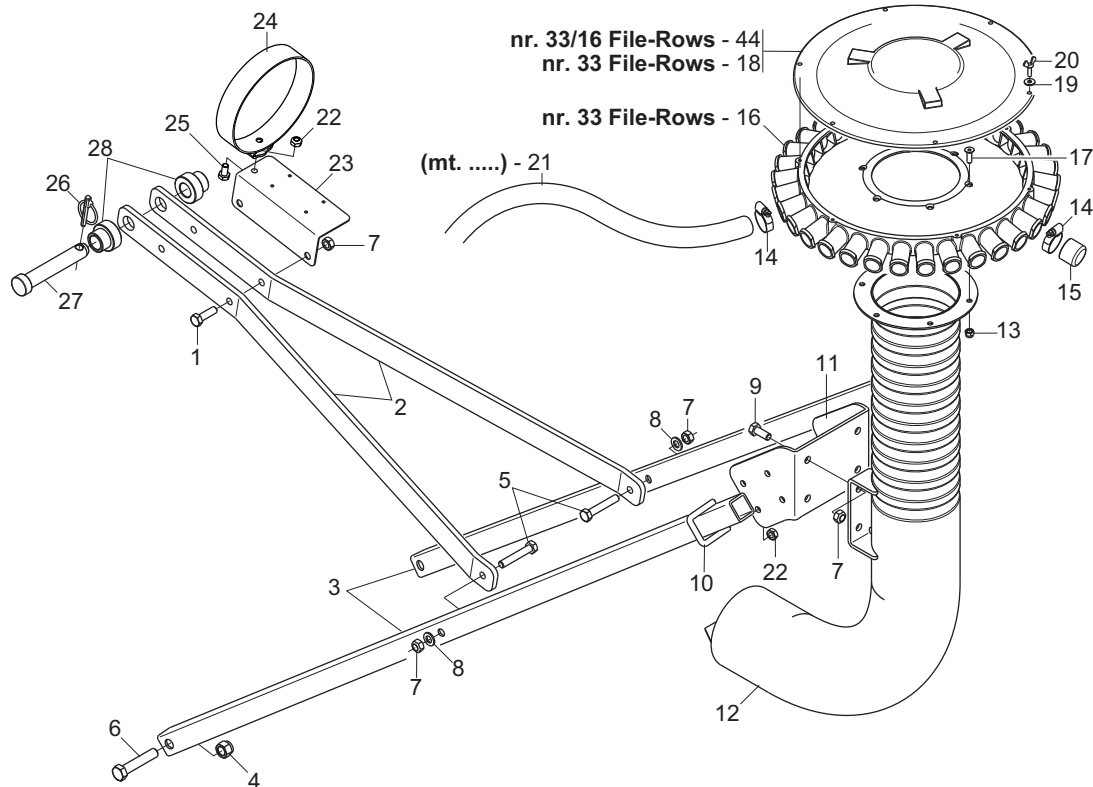
**mod. 400
mod. 450**

nr. 40 File/Rows - 30
nr. 40/20 File/Rows - 46
nr. 40 File/Rows - 29

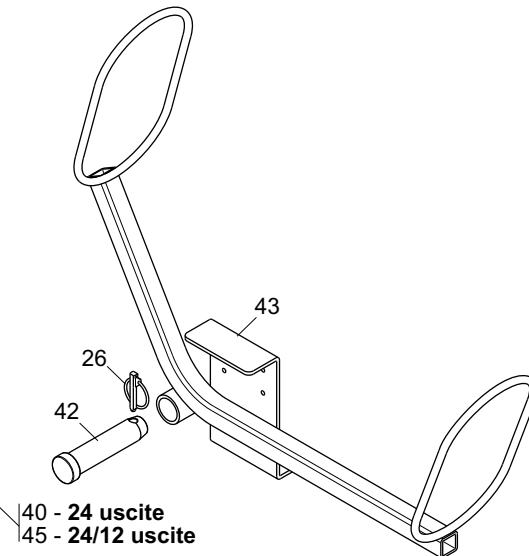


nr. 33/16 File-Rows - 44
nr. 33 File-Rows - 18
nr. 33 File-Rows - 16

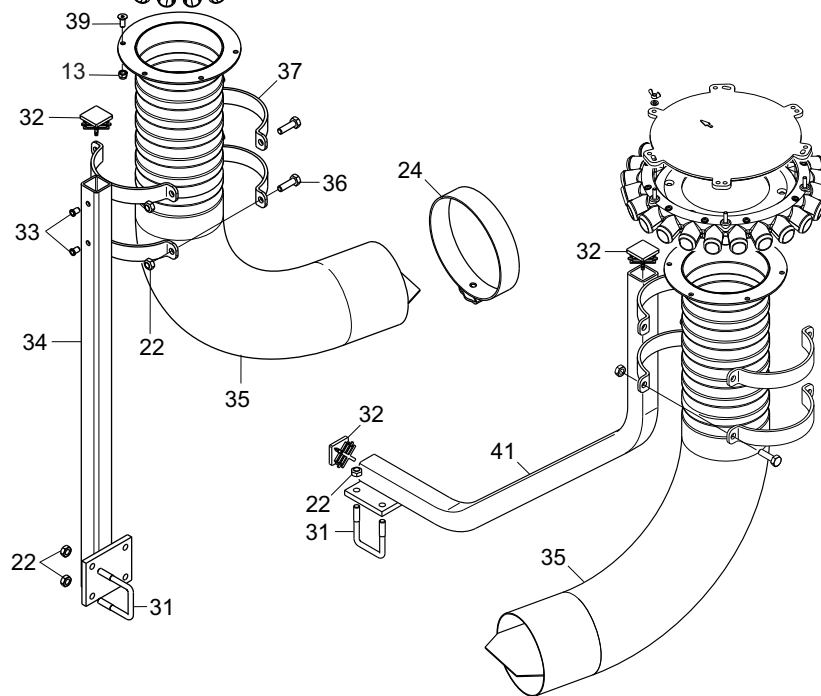
(mt.) - 21



**mod. 500
mod. 600**



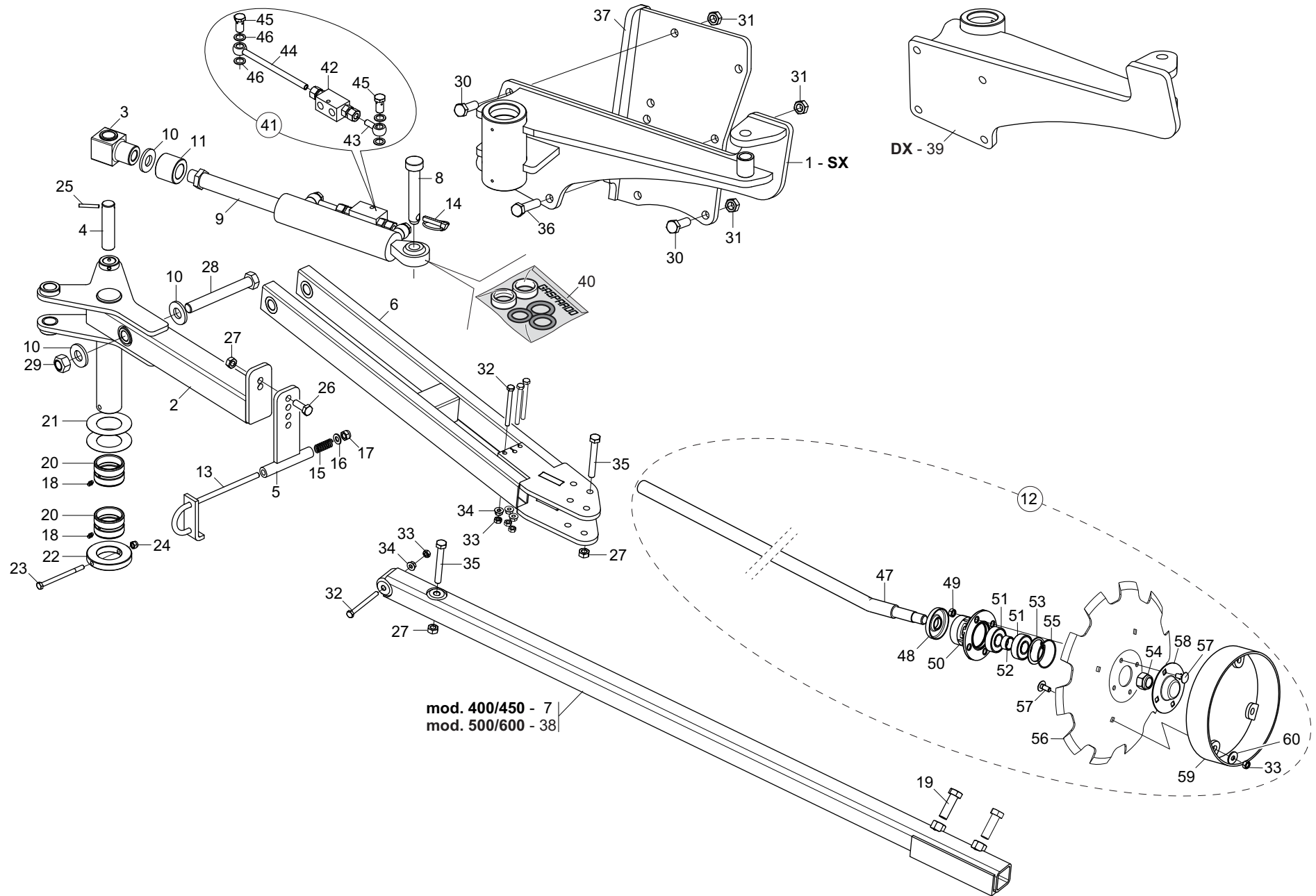
40 - 24 uscite
45 - 24/12 uscite
38 - nr. 24 File/Rows



TESTE DI DISTRIBUZIONE

TAV. 020

Pos.	Cod.	Descrizione	Description	Description	Benennung	Description
1	F01020152	VITE M12X1,75X40 U5737 8.8ZN	SCR. M12X1,75X40 U5737 8.8ZN	VIS M12X1,75X40 U5737 8.8 ZN	SCHRAUBE M12X1,75X40U57378.8ZN	TORNIL.M12X1,75X40 U5737 8.8ZN
2	G17322150	TIRANTE	TIE ROD			
3	G17322140	TUBO Q. 40X 4X1650 2 FORI	TUBE Q. 40X 4X1650 2 HOLES			
4	F01230085	DADO M16X2 D982 8ZN	NUT M16X2 D982 8ZN	ECROU M16X 2 D982 8 ZN	MUTTER M16X 2 D982 8 ZN	TUERCA M16X 2 D982 8 ZN
5	F01020164	VITE M12X1,75X70 U5737 8.8ZN	SCR. M12X1,75X70 U5737 8.8ZN	VIS M12X1,75X70 U5737 8.8 ZN	SCHR. M12X1,75X70 U5737 8.8 ZN	TORN. M12X1,75X70 U5737 8.8 ZN
6	F01020262	VITE M16X2X80 U5737 8.8ZN	SCR. M16X2X80 U5737 8.8ZN	VIS M16X2X80 U5737 8.8 ZN	SCHRAUBE M16X2X80 U5737 8.8 ZN	TORNILLO M16X2X80 U5737 8.8 ZN
7	F01220048	DADO M12X1,75 D980 8ZN	NUT M12X1,75 D980 8ZN	ECROU M12X1,75 D980 8 ZN	SCHEIBE M12X1,75 D980 8 ZN	TUERCA M12X1,75 D980 8 ZN
8	F01410076	ROS.M12 13X 24X2,5 U6592 ZN	WASHER 12 13X 24X2,5 U6592 ZN	RONDEL. M12 13X24X2,5 U6592 ZN	SCHEIBE M12 13X24X2,5 U6592 ZN	ARANDELA M12 13 X24X2,5 ZN
9	F01020510	VITE M12X1,75X30 U5739 8.8ZN	SCR. M12X1,75X30 U5739 8.8ZN			
10	F20110705	CAV.Q.B=40 M=10X1,5 L=62	U BOLT Q.B=40 M=10X1,5 L=62	CAVALIER ZN	BsGELBOLZEN ZN	PERNO EN U ZN
11	G17322130	SUPP.TUBO MISCELATORE	MIXER TUBE SUPPORT			
12	G17322120	ASS.TUBO MISCELAT.D.150X975 C.	LONG MIXER TUBE BEND 90°			
13	F01230034	DADO M8X1,25 D982 8	NUT M8X1,25 D982 8	ECROU M8X 1,25 D982 8 ZN	MUTTER M8X 1,25 D982 8 ZN	TUERCA M8X 1,25 D982 8 ZN
14	F02300020	FASCETTA STRING. 32/50 H.9	HOSE CLAMP 32/50 H.9			
15	G66248098	TAPPO CONVOGLIATORE DEPR. SP	AIR PUMP CONVEYOR PLUG SP	BOUCHON CONVOYEUR TURBINE SP	VAKUUM FTRDERPFROPFEN SP	TAPN CONDUCTOR DEPR. SP D
16	G16121401	DISTRIBUT.33 U. D.140-150 UNIF	DISTRIBUT.33OUT.D.140-150			
17	F01030056	VITE M8X1,25X25 U5933 10.9ZD	SCR. M8X1,25X25 U5933 10.9ZD	VIS 8X25 5933 10.9 ZN	SCHRAUBE 8X25 5933 10.9 ZN	TORNILLO 8X25 5933 10.9 ZN
18	G16121410	COPERCHIO DISTRIBUTORE 33 U.	DISTRIBUTOR COVER 33 OUTPUTS	COUVERCLE DISTRIBUTEUR 33 SORT	DECKEL SZAPPARAT 33 AUSGZNG	TAPA DISTRIBUIDOR 33 SALIDAS
19	F01420036	ROS.M6 6,4X 18X 2 U6593 ZN	WASHER M6 6,4X 18X2 U6593 ZN	RONDELLE M6 6,4X18X2 2 U6593ZN	SCHEIBEN M6 6,4X18X 2 U6593 ZN	ARANDELA M6 6,4X18X2 U6593 ZN
20	F01090203	VITE M6X1X20 U5449 ZN	SCR. M6X1X20 U5449 ZN	VIS M 6X 1X 20 U5449 ZG	SCHRAUBE M 6X 1X 20 U5449	TORNIL. M 6X 1X 20 U5449
21	F03100530	TUBO EOLO PU-P D.32	EOLO TUBE PU-P D.32			
22	F01220033	DADO M10X1,5 D980 8ZN	NUT M10X1,5 D980 8ZN	ECROU M10X 1,5 D980 8 ZN	MUTTER M10X 1,5 D980 8 ZN	TUERCA M10X 1,5 D980 8 ZN
23	G17320970	STAFFA SUPP.SCATOLA CABLAGGIO	WIRING BOX SUPPORT BRACKET			
24	G17323190	ANELLO GUIDA TUBO D.193,7X40	PIPE GUIDE RING D.193,7X40			
25	F01020470	VITE M10X1,5X20 U5739 8.8ZN	SCR. M10X1,5X20 U5739 8.8ZN	VIS M10X1,5X20 U5739 8.8 ZN	SCHRAUBE M10X1,5X20 U5739 ZN	TORNILLOM10X1,5X20 U5739 8.8ZN
26	F02200507	SPINA A SCATTO D 9 B/83	SNAP PIN D9 B/83 ZN	FICHE A DETENTE D9 B/83 ZN	EINRASTSTIFT D9 B/83 ZN	CLAVIJA DE MUELLE D9 B/83 ZN
27	F20100133	PERNO D25 L122 C43 ZN	PIN D25 L122 C43 ZN	BOULON D25 L122 C43 ZN	BOLZEN D25 L122 C43 ZN	PERNO D25 L122 C43 ZN
28	G18803480	BOCCOLA 25,5 X50 X39 ZN	BUSHING D25,5X33X60 ZN	BOITE 25,5 X50 X39 ZN	BsCHSE 25,5 X50 X39 ZN	CASQUILLO 25,5 X50 X39 ZN
29	G17920212	DISTRIBUTORE 40 U.	DISTRIBUTOR 40 OUTPUT			
30	G17920200	COPERCHIO DISTRIBUTORE 40 U.	DISTRIBUTOR COVER 40 OUTPUTS	COUVERCLE DISTRIBUTEUR 40 SORT	DECKEL SZAPPARAT 40 AUSGZNG	TAPA DISTRIBUIDOR 40 SALIDAS
31	F20110715	CAV.Q.B=50 M=10X1,5 L=80	UBOLTSTRIKER Q.B=50M10X1,5L=80	BUTEE M10X 1,5X 30 61X 80 ZB	ANSCHLAG M10X 1,5X 30 61X 80	EL. DE EMPALME M10X 1,5X 30
32	F20120348	PUNTALE Q.40 NERO	SQUARE TIP 40 BLACK			
33	F02250681	INSERTO FIL.M 6X14 ZN T.TONDA	THREADED ZINCKED INSERT M6X14	JOINT FILETE M6X14 ZN	GEWINDE BUGEL M6X14 ZN	YUGO MUESCADO M6ZX14 ZN
34	G17321930	ASS.SUPPORTO DISTRIBUTORE SX	ASSY L.DISTRIBUTOR SUPPORT			
35	G17322040	ASS.TUBO MISC.CORTO CURVA 90	SHORT MIXER TUBE BEND 90°			
36	F01020479	VITE M10X1,5X35 U5739 8.8ZN	SCR. M10X1,5X35 U5739 8.8ZN	VIS M10X1,5X35 U5739 8.8 ZN	SCHR. M10X1,5X35 U5739 8.8 ZN	TORN. M10X1,5X35 U5739 8.8 ZN
37	G16124400	FASCETTA TUBO D.150	STRAP PIPE D.150 ZN	COLLIER SERRAGE TUBE D.150 ZN	ROHRSCHELLE D.150 ZN	ABRAZADERA TUBO D.150 ZN
38	G17321881	DISTRIBUTORE 24 U.X TUBO D.150	DISTRIBUTOR 24 U.X TUBE D.150			
39	F01030055	VITE M8X1,25X20 U5933 10.9ZD	SCR. M8X1,25X20 U5933 10.9ZD	VIS M 8X20	SCHRAUBE M 8X20	TORNILLO M 8X20
40	G19006310	COPERCHIO DISTR. 24 USCITE	DISTRIBUTOR 24 COVER			
41	G17321920	ASS.SUPPORTO DISTRIBUTORE DX	ASSY R.DISTRIBUTOR SUPPORT			
42	F20100141	PERNO D36 L128 C43 ZN	PIN D36 L128 C43 ZN	BOULON D36 L128 C43 ZN	BOLTZEN D36 L128 C43 ZN	PERNO D36 L128 C43 ZN
43	G17321990	ASS.GUIDA TUBO D.150 POST.	ASSY REAR TUBE GUIDE D.150			
44	G16023901	MONT.COPERCHIO DISTRIBUT.33/16	ASS.BLY DISTRIB.COVER33/16			
45	G16024030	COPERCHIO DISTRIBUTORE 24/12	DISTRIBUTOR COVER 24/12			
46	G16024271	COPERCHIO DISTRIBUT.40/20 COMP	DISTRIBUTOR COVER 40/20			

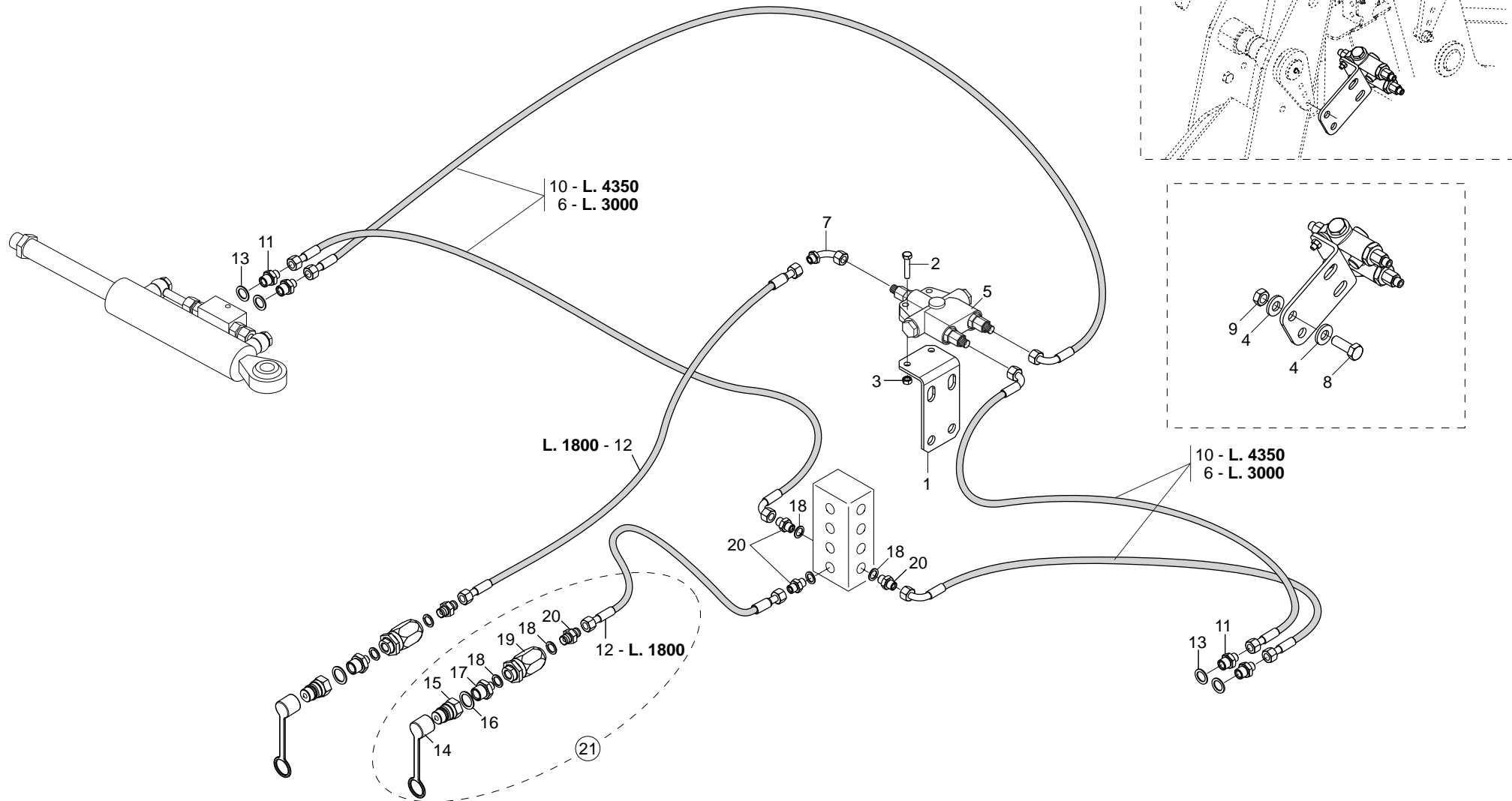


mod. 400/450 - 7
mod. 500/600 - 38

SEGNAFILE (CENTAURO 400/450)

TAV. 030

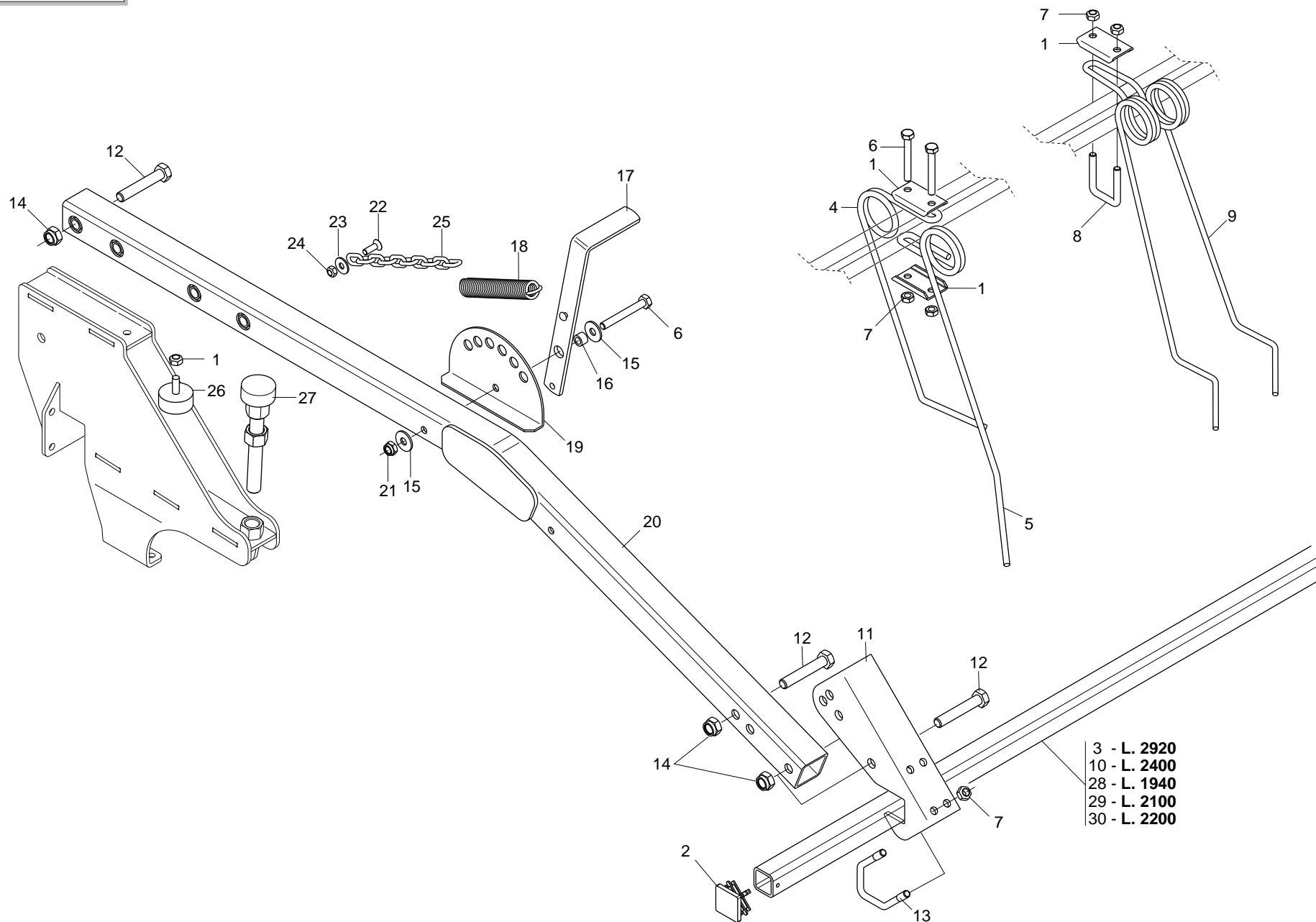
Pos.	Cod.	Descrizione	Description	Description	Benennung	Descripcion
1	G17312650	SUPPORTO SEGN.SX	ASSY L.ROWMARKER SUPPORT			
2	G17310070	ASS.ROTAZIONE BRACCIO	TURN ARM SET			
3	G17310130	MONT.ATTACCO PISTONE	COMPL.PISTON LINK			
4	G17310380	SPINA 25X97 ZN	PIN 25 X97 ZN			
5	G17310290	ASS.FINE CORSA	END OF STROKE			
6	G17312661	BRACCIO	ARM			
7	G16314671	BRACCIO SEGNAFILE	ROW MARKER ARM			
8	F20100047	PERNO D22 L108 C43 ZN	BOLT D22 L108 C43 ZN	GOIJON SUPPORT	BOLZEN	PERNO SOPORTE
9	G13612190	CILINDRO CON VALVOLA DI BLOCCO	CYLINDER WITH STOP-VALVE	CYLINDRE AVEC VANNE DE BLOCAGE	ZYLINDER MIT BLOCKIERVENTIL	CILINDRO CON VALV. DE BLOQUEO
10	G20970016	RONDELLA 48X5X22,5	WASHER 48X5X22-5	RONDELLE 48X5X22-5	UNTERLEGSSCHEIBE 48X5X22-5	ARANDELA 48X5X22-5
11	G19006300	BOCCOLA 30 X52 X42	BUSHING 30 X52 X42	BOITE 30 X52 X42	BUCHSE 30 X52 X42	CASQUILLO 30 X52 X42
12	G17312700	MONT.DISCO SEGN.D.350	ROWMARKER DISK D.350			
13	G17310321					
14	F02200529	SPINA SCATTO D.11 H58 ZN	SNAP PIN D.11	FICHE A DETENTE D.11	EINRASTSTIFT D.11	CLAVIJA DE MUELLE D.11
15	G65338056	MOLLA REGOLATORE MG	ADJUSTER SPRING MG	RESSORT REGULATEUR MG	EINSTELLFEDER MG	MUELLE REGULADOR MG
16	F01410064	ROS.M10 10,5X 20X 2 U6592 ZN	WASHER M10 10,5X20X2 U6592 ZN	RONDEL. M10 10,5X20X2 U6592 ZN	SCHEIBE M10 10,5X20X2 U6592 ZN	ARANDEL.M10 10,5X20X2 U6592 ZN
17	F01230048	DADO M10X1,5 D982 8ZN	NUT M10X1,5 D982 8ZN	ECR.AUTO-FREIN.M10X1,5 D982 ZN	SICHERUNGSMUTT.M10X1,5 D982 ZN	TUERCA SEGURID.M10X1,5 D982 ZN
18	F01100011	ING.M 6X1 7663-A 9SMNPB28 ZN	GREASE NIPPLE M6X1 7663-A ZN	GRAISS. A BILLE M6X1 7663A ZN	SCHMIERBUECHE M6X1 7663-A ZN	ENGRAS. DE ESFERAS M6X1 7663-A
19	F01020253	VITE M16X2X50 U5737 8.8BR	SCR. M16X2X50 U5737 8.8BR	VIS M16X2X50	SCHRAUBE M16X2X50	TORNILLO M16X2X50
20	G15315980	BOCCOLA 50 X60 X40 CEMEN.	BUSHING CEMENT. 50X60X40	BAGUE 50X60X40	BUCHSE 50X60X40	CASQUILLO 50X60X40
21	G18701770	RONDELLA 50 X90 X0,5	WASHER 50 X90 X0,5	RONDELLE 50 X90 X0,5	UNTERLEGSSCHEIBE 50 X90 X0,5	ARANDELA 50 X90 X0,5
22	G17310350	ANELLO DI FERMO DI 50 DE 90	GROMMET	BAGUE D'ARRET	SPERRING	ANILLO DE BLOQUEO
23	F01020092	VITE M8X1,25X110 U5737 8.8ZN	SCR. M8X1,25X110 U5737 8.8ZN	VIS 8 X110 5737 8.G ZN	SCHRAUBE 8 X110 5737 8.G ZN	TORNILLO 8 X110 5737 8.G ZN
24	F01230034	DADO M8X1,25 D982 8	NUT M8X1,25 D982 8	ECROU M8X 1,25 D982 8 ZN	MUTTER M8X 1,25 D982 8 ZN	TUERCA M8X 1,25 D982 8 ZN
25	F02100121	SPINA E.P. 6X 40 U6873 C70 BR	ELASTIC PIN 6X40	GOIJON ELASTIQUE 6X40	SPANNHUELSE 6X40	PASADOR 6X40
26	F01020512	VITE M12X1,75X35 U5739 8.8ZN	SCR. M12X1,75X35 U5739 8.8ZN	VIS M12X1,75X35 5739 8.8 ZN	SCHR. M12X1,75X35 5739 8.8 ZN	TORN. M12X1,75X35 5739 8.8 ZN
27	F01220048	DADO M12X1,75 D980 8ZN	NUT M12X1,75 D980 8ZN	ECROU M12X1,75 D980 8 ZN	SCHEIBE M12X1,75 D980 8 ZN	TUERCA M12X1,75 D980 8 ZN
28	F01020319	VITE M20X2,5X160 U5737 8.8BR	SCR. M20X2,5X160 U5737 8.8BR	VIS M20X2,5X160 U5737 8.8 BR	SCHRAUBE M20X2,5X160 U5737 8.8	TORNILLO M20X2,5X160 U5737 8.8
29	F01220092	DADO M20X2,5 D980 8ZN	NUT M20X2,5 D980 8ZN	ECROU M20X 2,5 D980 8 ZN	MUTTER M20X 2,5 D980 8 ZN	TUERCA M20X 2,5 D980 8 ZN
30	F01020256	VITE M16X2X60 U5737 8.8ZN	SCR. M16X2X60 U5737 8.8ZN	VIS M16X 2X60 U5737 8.8 ZN	SCHRAUBE M16X2X60 U5737 8.8 ZN	TORNILLO M16X2X60 U5737 8.8 ZN
31	F01220266	DADO M16X2 D980 8ZN	NUT M16X2 D980 8ZN	ECROU M16X 2 D980 8 ZN	MUTTER M16X 2 D980 8 ZN	TUERCA M16X 2 D980 8 ZN
32	F01020088	VITE M8X1,25X90 U5737 8.8ZN	SCR. M8X1,25X90 U5737 8.8ZN	VIS M8X1,25X90 U5737 8.8 ZN	SCHR.M8X1,25X90 U5737 8.8 ZN	TORN. M8X1,25X90 U5737 8.8 ZN
33	F01220022	DADO M8X1,25 D980 8ZN	NUT M8X1,25 D980 8ZN	ECROU M8X 1,25 D980 8 ZN	MUTTER M8X 1,25 D980 8 ZN	TUERCA M8X 1,25 D980 8 ZN
34	F01260043	DADO M8 D6923 8.8ZN	NUT M8 D6923 8.8ZN	ECROU BRIDE .M8 DIN 6923 8.8 Z	GEFLANSCHTE MUTTER M8 DIN6923	TUERCA BRIDA M8 DIN 6923 8.8 Z
35	F01020168	VITE M12X1,75X90 U5737 8.8ZN	SCR. M12X1,75X90 U5737 8.8ZN	VIS M12X1,75X90 U5737 8.8 ZN	SCHRAB.M12X1,75X90 5737 8.8 ZN	TORNIL.M12X1,75X90 5737 8.8 ZN
36	F01020260	VITE M16X2X70 U5737 8.8ZN	SCR. M16X2X70 U5737 8.8ZN	VIS M16X2X70 U5737 8.8 ZN	SCHRAUBE M16X2X70 U5737 8.8 ZN	TORNILLO M16X2X70 U5737 8.8 ZN
37	G17314510					
38	G17313151	ASS.BRACCIO SEGNAFILE	ROW MARKER ARM			
39	G17312600	ASS.SUPP.SEGN.DX	ASSY R.ROWMARKER SUPPORT			
40	F03100181	KIT GUARNIZ.CILINDRO 15112630	KIT O-RING CYLINDER 15112630	KIT GARNIT. CYLINDRE 15112630	KIT DICHT.OR ZYLINDER15112630	SET JUNTA OR CILINDRO15112630
41	F03150589	KIT VALVOLA DI BLOCCO 3/8 DE	PIL. BLOCK VALVE VBPDE38EC	SOUPAPE BLOC GUIDEE VBPDE38EC	GEST. SPERRVENTIL VBPDE38EC	VæLVULA BLOQUE PIL.VBPDE38EC
42	F03150499	VALVOLA DI BLOCCO	V+LVULA BLOQUE			
43	F03150823	ADATT. OCCHIO 3/8 L.40	EYE ADAPTER 3/8 L.40	RACCORD OEIL 3/8 L.40	TSENVERBINDUNGSST_CK 3/8 L.40	UNIN OJO 3/8 L.40
44	F03150824	ADATT. OCCHIO 3/8 L.220	EYE UNION 3/8 L.200	RACCORD OEIL 3/8 L.200	TSENVERBINDUNGSSTsCK 3/8 I.200	UNIN OJO 3/8 L.200
45	F03151223	RACCORDO VITE CAVA 3/8	UNION BOLT 3/8	VIS 3/8	SCHRAUBE 3/8	TORNILLO CAVA 3/8
46	F03100023	ROS. 17 X23X1,5 RAME -3/8"	WASHER 17X23X1,5	RONDELLE 17X23X1,5	SCHEIBE 17X23X1,5	ARANDELA 17X23X1,5
47	G15111311	PERNO SEGNAFILE	ROWMARKER PIN			
48	G16610431	FONDELLO ZN	BOTTOM GALV.ED			
49	F01200244	DADO M8X1,25 U5588 6.8ZN	NUT M8X1,25 U5588 6.8ZN	ECROU M8 X1,25 U5588 6.8 ZN	MUTTER M8 X1,25 U5588 6.8 ZN	TUERCA M8 X1,25 U5588 6.8 ZN
50	G16610160	SUPP.CUSCINETTI DISCO SEGN.ZN.	GALVAN. ROWMARKER DISK BEARING	SUPPORT ROULEMENTS DISQUE TRAC	SCHEIBENLAGERHALTERUNG	SOPORTE COJINETE DE DISCO MARC
51	F04010156	CUSC.d20 D47 B14 6204 2RSH	BEARING d20 D47 B14 6204 2RSH			
52	G18801270	BOCCOLA 21 X25 X12 ZN B.	BUSHING 21 X25 X12 ZN			
53	F02050370	ANELLO E. DI 47X1,75 U7437 C70	SEEGER RING 47X 1,75 U7437 C70	SEEEGER E. 47X 1,75 U7437 C70	SEEEGERING E. 47X1,75 U7437 C70	ANILLO E. 47X 1,75 U7437 C70
54	F01230098	DADO M18X2,5 D982 8ZN	NUT M18X2,5 D982 8ZN	ECROU M18X 2,5 D982 8 ZN	MUTTER M18X 2,5 D982 8 ZN	TUERCA M18X 2,5 D982 8 ZN
55	F03010576	ANELLO OR 50,52X1,78 NBR	GASKET OR 50,52X1,78 NBR	BAGUE OR 50,52X1,78 NBR	RING OR 50,52X1,78 NBR	ANILLO OR 50,52X1,78 NBR
56	G16072590	DISCO SEGNAFILE D.350	ROW-MARKER DISK D.350			
57	F01060040	VITE M8X1,25X20 U5732 4.6ZG	SCR. M8X1,25X20 U5732 4.6ZG	VIS M8X1,25X20 U5732 4.6 ZN	SCHRA. M8X1,25X20 U5732 4.6 ZN	TORN. M8X1,25X20 U5732 4.6 ZN
58	G16610190	CHIUSURA CUSCINETTO ZN	END BEARING ZN			
59	G16610210	ASS.LIMITATORE PROFONDITA'	LIMITER DEPTH COUPLYNG	GR. ASS. LIMITEUR DE PROFONDEU	TIEFENBEGRENZERKOMPLEX	CONJ. LIMITADOR DE PROFUNDIDAD
60	F01420048	ROS.M8 8,4X 24X 2 U6593 ZN	WASHER M8 8,4X 24X2 U6593 ZN	RONDELLE M8 8,4X24X 2 U6593 ZN	SCHEIBEN M8 8,4X24X 2 U6593 ZN	ARANDELA M8 8,4X 24X2 U6593 ZN



IMPIANTO OLEODINAMICO SEGNAFILE

TAV. 040

Pos.	Cod.	Descrizione	Description	Description	Benennung	Descripcion
1	G15412351	SUPPORTO VALVOLA	VALVE SUPPORT			
2	F01020068	VITE M8X1,25X40 U5737 8.8ZN	SCR. M8X1,25X40 U5737 8.8ZN	VIS M 8X1,25X40 U5737 8.8 ZN	SCHRA. M8X1,25X40 U5737 8.8 ZN	TORNIL.M8X1,25X40 U5737 8.8 ZN
3	F01200244	DADO M8X1,25 U5588 6.8ZN	NUT M8X1,25 U5588 6.8ZN	ECROU M8 X1,25 U5588 6.8 ZN	MUTTER M8 X1,25 U5588 6.8 ZN	TUERCA M8 X1,25 U5588 6.8 ZN
4	G20970142	RONDELLA 32X4X15,5	WASHER 32X4X15-5	RONDELLE 32X4X15-5	UNTERLEGSCHIEBE 32X4X15-5	ARANDELA 32X4X15-5
5	G16611050	MONT.VALVOLA SEGNAFILE CN	ROWMARKER VALVE ASSY.	SOUPAPE TRACEUR COMPL.	KOMPL. SPURREISSERVENTIL	V-LVULA MARC. DE FILAS COMPL.
6	G15210631	TUBO 1/4R2 CF1/4- F1/4 3000	PIPE 1/4R2 CF1/4- F1/4 3000	TUBE 1/4R2 CF1/4- F1/4 3000	ROHR 1/4R2 CF1/4- F1/4 3000	TUBO 1/4R2 CF1/4- F1/4 3000
7	F03150859	CURVA 90°F.GIREV.1/4 - M.1/4	ELBOW 90° F. SWIVEL 1/4 -M.1/4	COUDE 90° F.TOURN.1/4 - M.1/4	KNIESTsCK 90° F.DREHB.1/4 - M.	CURVA 90 F.GIRAT.1/4 - M.1/4
8	F01020544	VITE M14X2X40 U5739 8.8ZN	SCR. M14X2X40 U5739 8.8ZN	VIS M14X2X40	SCHRAUBE M14X2X40	TORNILLO M14X2X40
9	F01220255	DADO M14X2 D980 8ZN	NUT M14X2 D980 8ZN	ECROU TRISTOP M14X2 D980 8 ZN	MUTTER TRISTOP M14X2 D980 8 ZN	TUERCA TRISTOP M14X2 D980 8 ZN
10	G17915340	TUBO 1/4R2 F-CF L.4350	TUBE 1/4R2 F-CF L.4350			
11	F03150310	NIPPLO MM CIL-CIL 3/8-1/4 ZN	NIPPLE CYL.MALE3/8-1/4 ZN	NIPPLE MALE CYL.3/8-1/4 ZN	NIPPELZYL.3/8-1/4 ZN	NIPLE MACHO CIL.3/8-1/4 ZN
12	G13611771	TUBO 1/4R2 F1/4-F1/4 1800	PIPE 1/4R2 F1/4-F1/4 1800	TUBE 1/4R2 F1/4-F1/4 1800	ROHR 1/4R2 F1/4-F1/4 1800	TUBO 1/4R2 F1/4-F1/4 1800
13	F03100023	ROS. 17 X23X1,5 RAME -3/8"	WASHER 17X23X1,5	RONDELLE 17X23X1,5	SCHEIBE 17X23X1,5	ARANDELA 17X23X1,5
14	F05150325	CAPPUC.F X INN.M RAP.1/2 ROSSO	COVER CONNECT F 1/2 RED	COUVERCLE CONNEXION F 1/2 ROSE	DECKEL W 1/2 SCHNELLKUPP. ROT	PAC PROTECCION F 1/2 ROJO
15	F03150935	INNESTO RAP.MASCH.1/2 A VALV.	QUICK CONNECT MALE CONE 1/2	CONNEXION RAPIDE MALE CONE 1/2	SCHNELLKUPP.GEWINDE KONISC 1/2	ACOPLAMIEN.RAP.MACHO CONO 1/2
16	F03151237	ROS. 21 X27X1,5 RAME -1/2"	COPPER WASHER 21X27X1,5 1/2	RONDELLE CUIVRE 21X27X1,5 1/2	SCHEIBE KUPFER 21X27X1,5 1/2	ARANDELA COBRE 21X27X1,5 1/2
17	F03150211	NIPPLO MM CIL-CIL 1/2-1/4 ZN	NIPLE MM CIL-CIL 1/4-1/2 ZN	NIPLE MM 1/4-1/2 ZN	NIPLE GG 1/4-1/2 ZN	NIPLE MM 1/4-1/2 ZN
18	F01500012	RONDELLA IN RAME 1/4"	COPPER WASHER 13X19X1,5-1/4"	RONDELLE	SCHEIBE	ARANDELA
19	F03151226	REGOL.DI FLUSSO VRF 1/4' GAS	1/4' GAS VALVE VRF	SOUPAPE REG DEBIT VRF 1/4' GAZ	VENITL VRF 1/4' GAS	VæLVULA VRF 1/4' GAS
20	F03150266	NIPPLO MM CIL-CIL 1/4-1/4 ZN	NIPPLE GALV.CYL.MALE 1/4 ZN	NIPPLE MALE CYL. 1/4 ZN	NIPPELZYL.1/4 ZN	NIPLE MACHO CIL.1/4 ZN
21	G17310390	TUBO ATTACCO AL TRATTORE	TRACTOR LINKAGE TUBE	TUBE ATTELAGE AU TRACTEUR	TRAKTORANSCHLUSSROHR	TUBO CONEXION AL TRACTOR

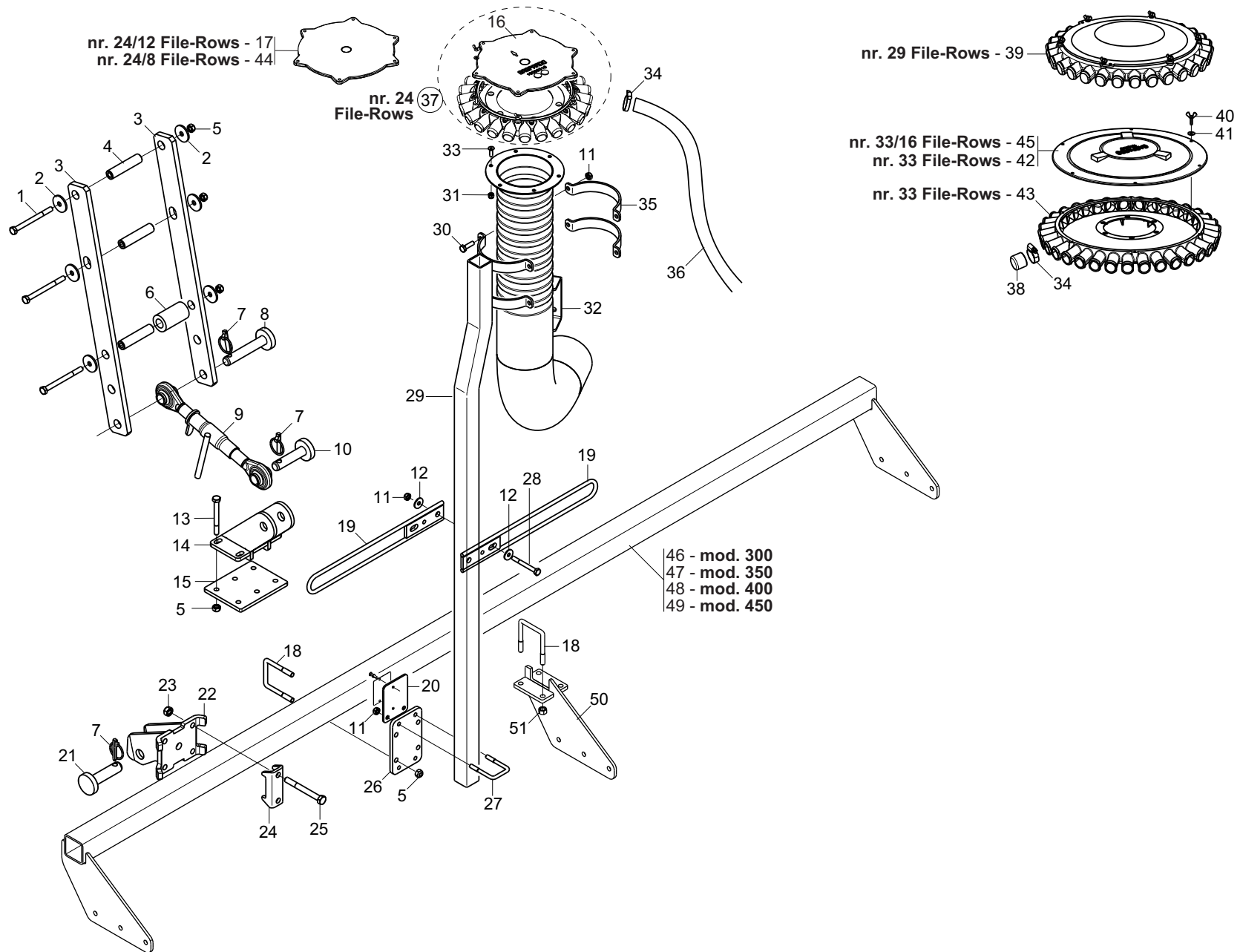


ERPICE COPRISEME

TAV. 050

Pos.	Cod.	Descrizione	Description	Description	Benennung	Descripcion
1	G16240780	PIASTRINA X MOLLA ERPICE ZN	PLATE SEED COVER SPRING	PLAQUETTE RESSORT COUVRE-GRAIN	PLZTTCHEN SAMENABDECKFEDER	PLAQUETA MUELLE CUBRESEMILLAS
2	F20120348	PUNTALE Q.40 NERO	SQUARE TIP 40 BLACK			
3	G16714700	TUBO Q. 40X 4X2920	TUBE Q. 40X 4X2920			
4	G18903640	MOLLA CORTA COPRISEME D.9	SPEC. SPRING SHORT TOOTH D.9	DENT HERSE RECOUVR COURTE D.9	SPEZIALFEDER M. KURZ.ZAHN D.9	MUELLE ESPEC.DIENTE CORTO D.9
5	G18903650	MOLLA LUNGA COPRISEME D.9	SPEC. SPRING LONG TOOTH D.9	DENT HERSE RECOUVR LONGUE D.9	SPEZIALFEDER M. LANG.ZAHN D.9	MUELLE ESPEC.DIENTE LARGO D.9
6	F01020128	VITE M10X1,5X80 U5737 8.8ZN	SCR. M10X1,5X80 U5737 8.8ZN	VIS M10X1,5X80 U5737 8.8 ZN	SCHRAUBE M10X1,5X80 U5737 8.8	TORNIL.M10X1,5X80 U5737 8.8 ZN
7	F01220033	DADO M10X1,5 D980 8ZN	NUT M10X1,5 D980 8ZN	ECROU M10X 1,5 D980 8 ZN	MUTTER M10X 1,5 D980 8 ZN	TUERCA M10X 1,5 D980 8 ZN
8	F20110705	CAV.Q.B=40 M=10X1,5 L=62	U BOLT Q.B=40 M=10X1,5 L=62	CAVALIER ZN	BsGELBOLZEN ZN	PERNO EN U ZN
9	G18904710	MOLLA COPRISEME 2 PUNTE D.9	SEED COVER SPRING 2 TIPS D.9			
10	G13723060	TUBO SUPP.SERBATOIO HS L.2400	TANK SUPP. TUBE L.2400	TUBE SUPP. RESERVOIRS L.2400	ROHR BEHZLTERHALTERUNG L.2400	TUBO SOP.DEPOSITOS L.2400
11	G17311661	STAFFA REGOLAZIONE ERPICE	HARROW ADJUST.BRACKET			
12	F01020210	VITE M14X2X80 U5737 8.8ZN	SCR. M14X2X80 U5737 8.8ZN	VIS M14X 2X 80 U5737 8.8 ZN	SCHRA. M14X 2X80 U5737 8.8 ZN	TORN. M14X 2X 80 U5737 8.8 ZN
13	F20110900	CAV.V.M10X 1,5X 45 65X 87 ZN	V BOLT M10X1,5X45 65X L87	CAVALIER POUR TUBE 40X40 ZN	BsGELBOLZEN FsR ROHR 40X40 ZN	PERNO EN U X TUBO 40X40 ZN
14	F01230073	DADO M14X2 D982 8ZN	NUT M14X2 D982 8ZN	ECROU AUTOBL. M14X2 D982 8 ZN	SELBSTSP.MUTT. M14X2 D982 8 ZN	TUERCA AUTOBL. M14X2 D982 8 ZN
15	F01420060	ROS.M10 10,5X 30X2,5 U6593 ZN	WASHER 10,5X30	RONDELLE 10,5X30	SCHIEBE 10,5X30	ARANDELA 10,5X30
16	G18801610	BOCCOLA 10,25X16 X11 ZN	BUSHING 10.25 X 16 X 11- GALVA	BOITE 10-25X16 X11 ZN	BsCHSE 10-25X16 X11 ZN	CASQUILLO 10-25X16 X11 ZN
17	G16013970	LEVATENDIMOLLA	SPRING EXTENDER LEVER	LEVIER TENDEUR RESSORT	HEBEL FEDERSPANNER	PALANCA TIRA MUELLE
18	G18903540	MOLLA TRAZIONE SCARPETTE	PLANTER SHOE TRACTION SPRING	RESSORT TRACTION SABOTS	ZUGFEDER SZSCHAREN	MUELLE TRACCIN GUA APOYO AR
19	G16013990	AGGANCIO LEVA TENDIMOLLA	LEVER HITCH SPRINGTIGHTNER			
20	G17311901	BRACCIO ERPICE	HARROW ARM	BRAS HERSE	EGGENARM	BRAZO GRADA
21	F01230048	DADO M10X1,5 D982 8ZN	NUT M10X1,5 D982 8ZN	ECR.AUTO-FREIN.M10X1,5 D982 ZN	SICHERUNGSMUTT.M10X1,5 D982 ZN	TUERCA SEGURID.M10X1,5 D982 ZN
22	F01030056	VITE M8X1,25X25 U5933 10.9ZD	SCR. M8X1,25X25 U5933 10.9ZD	VIS 8X25 5933 10.9 ZN	SCHRAUBE 8X25 5933 10.9 ZN	TORNILLO 8X25 5933 10.9 ZN
23	F01420048	ROS.M8 8,4X 24X 2 U6593 ZN	WASHER M8 8,4X 24X2 U6593 ZN	RONDELLE M8 8,4X24X 2 U6593 ZN	SCHIEBEN M8 8,4X24X 2 U6593 ZN	ARANDELA M8 8,4X 24X2 U6593 ZN
24	F01220022	DADO M8X1,25 D980 8ZN	NUT M8X1,25 D980 8ZN	ECROU M8X 1,25 D980 8 ZN	MUTTER M8X 1,25 D980 8 ZN	TUERCA M8X 1,25 D980 8 ZN
25	G16240510	CATENA GENOVESE L.240 ZN	GENOAN CHAIN D.5 L.240 GALVAN	CHAINE GENOISE D.5 L.240 ZN	KETTE GENOVESE D.5 L.240 ZN	CADENA GENOVESA D.5 L.240 ZN
26	F05150460	PARACOLPI CIL.D50X21 M10X26,5	RUBBER BUFFER- CYLINDR.D50X21	PARE-CHOCs CYL. D50X21	PUFFER ZYL.50X21	PARAGOLPES CIL.D50X21
27	G17312380	MONT.VITE DI REGOLAZIONE	ADJUSTER SCREW ASS.BLY			
28	G17310610	TUBO Q. 40X 4X1940	TUBE Q. 40X 4X1940			
29	G16019150	TUBO Q. 40X 4X2100	TUBE Q. 40X 3X2100			
30	G16010480	TUBO Q. 40X 4X2200	SQUARE PIPE 40X2200	TUBE CARRE 40X2200	VIERKANTROHR 40X2200	TUBO CUADRADO 40X2200

BARRA CEREALI COMBINATA - COMBINED CEREAL BAR

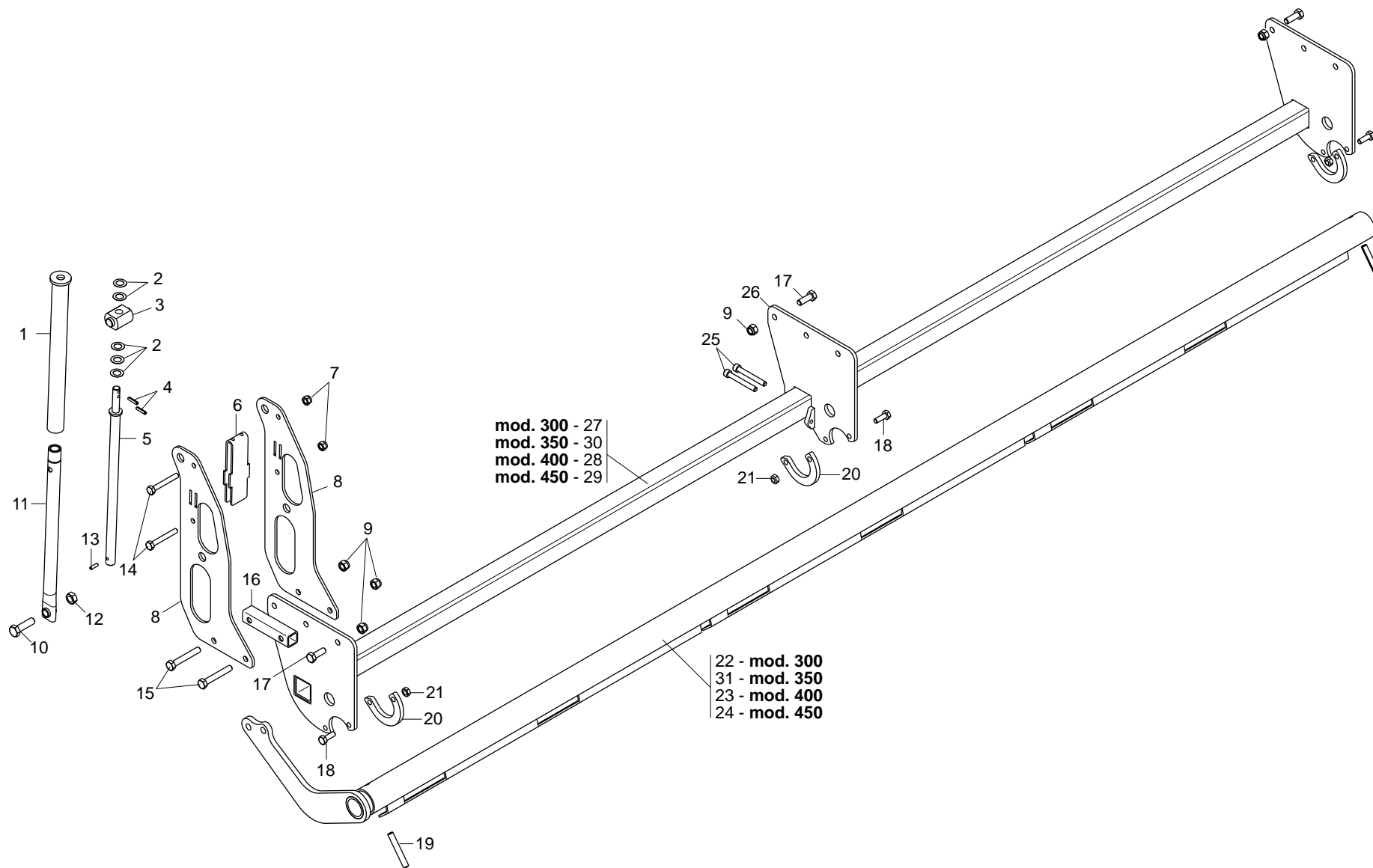


TELAIO SUPPORTO ELEMENTI

TAV. 110

Pos.	Cod.	Descrizione	Description	Description	Benennung	Descripcion
1	F01020178	VITE M12X1,75X140 U5737 8.8BR	SCR. M12X1,75X140 U5737 8.8BR	VIS M12X1,75X140 5737 8.8 BR	SCHR. M12X1,75X140 5737 8.8 BR	TORN. M12X1,75X140 5737 8.8 BR
2	G18701530	RONDELLA 13X48X4 ZN	WASHER 13X48X4 ZN	RONDELLE 13X48X4 ZN	SCHEIBE 13X48X4 ZN	ARANDELA 13X48X4 ZN
3	G17311532	LAMAATTACCO TERZO PUNTO	HITCH BLADE 3RD POINT			
4	G13641770	BOCCOLA 12,40X25 X112	BUSHING 12,4X25X112	BOÎTE 12,4X25X112	BUCHSE 12,4X25X112	MANGUITO 12,4X25X112
5	F01220048	DADO M12X1,75 D980 8ZN	NUT M12X1,75 D980 8ZN	ECROU M12X1,75 D980 8 ZN	SCHEIBE M12X1,75 D980 8 ZN	TUERCA M12X1,75 D980 8 ZN
6	G17311541	BOCCOLA 26,3 X48,3 X87	BUSHING 26,3 X48,3 X87			
7	F02200507	SPINA A SCATTO D 9 B/83	SNAP PIN D9 B/83 ZN	FICHE A DETENTE D9 B/83 ZN	EINRASTSTIFT D9 B/83 ZN	CLAVIJA DE MUELLE D9 B/83 ZN
8	F20100133	PERNO D25 L122 C43 ZN	PIN D25 L122 C43 ZN	BOULON D25 L122 C43 ZN	BOLZEN D25 L122 C43 ZN	PERNO D25 L122 C43 ZN
9	F02450015	MART*M.L.= 330 L= 270 D=25,4 ZG	TIE-ROD L.330 L.270 D=25,4 ZG			
10	F20100132	PERNO D25 L 91 C43 ZN	PIN D25 L91 C43 ZN			
11	F01220033	DADO M10X1,5 D980 8ZN	NUT M10X1,5 D980 8ZN	ECROU M10X 1,5 D980 8 ZN	MUTTER M10X 1,5 D980 8 ZN	TUERCA M10X 1,5 D980 8 ZN
12	F01420060	ROS.M10 10,5X 30X2,5 U6593 ZN	WASHER 10,5X30	RONDELLE 10,5X30	SCHEIBE 10,5X30	ARANDELA 10,5X30
13	F01020172	VITE M12X1,75X110 U5737 8.8ZN	SCR. M12X1,75X110 U5737 8.8ZN	VIS 12X110 5737 8.G ZN	SCHRAUBE 12X110 5737 8.G ZN	TORNILLO 12X110 5737 8.G ZN
14	G17310980	ATTACCO 3 P.BARRA ELEM.	3POINT ELEM.BAR			
15	G16073060	SCONTRIO 140X180- 6F13	PLATE 140X180 6 FORI D.13			
16	G19006310	COPERCHIO DISTR. 24 USCITE	DISTRIBUTOR 24 COVER			
17	G16024030	COPERCHIO DISTRIBUTORE 24/12	DISTRIBUTOR COVER 24/12			
18	F20110745	CAV.Q.B=70 M=12X1,75L=96	U BOLT Q.B=70 M=12X1,75 L=96	CAVALIER M12 POUR TUBE 70X70	BsGELBOLZEN M12 FsR ROHR 70X70	PERNO EN U M12 X TUBO 70X70
19	G16075660	GUIDA TUBO SU TELAIO	GUIDE TUBE FRAME			
20	G17312900					
21	F20100135	PERNO D28 L 93 C43 ZN	PIN D28 L93 C43 GALV.ED			
22	G17310940	ATTACCO 1-2 P.BARRA ELEM.	1-2POINT ELEM.BAR			
23	F01220255	DADO M14X2 D980 8ZN	NUT M14X2 D980 8ZN	ECROU TRISTOP M14X2 D980 8 ZN	MUTTER TRISTOP M14X2 D980 8 ZN	TUERCA TRISTOP M14X2 D980 8 ZN
24	G16740160	SCONTRIO A U SP.8 2F15 84	FLANGE U SHIMS 8 2F15 84	BUTEE EN U CALE 8 2F15 84	U-ANSCHLAG DICKE 8 2F15 84	ELEM. DE EMPAL.U ESP.8 2F15 84
25	F01020218	VITE M14X2X130 U5737 8.8ZN	SCR. M14X2X130 U5737 8.8ZN	VIS M 14X130	SCHRAUBE M 14X130	TORNILLO M 14X130
26	G17311520	PIASTRA DI REGOLAZ.ALT.FUNGO	ADJUSTMENT PLATE			
27	F20110715	CAV.Q.B=50 M=10X1,5 L=80	UBOLTSTRIKER Q.B=50M10X1,5L=80	BUTEE M10X 1,5X 30 61X 80 ZB	ANSCHLAG M10X 1,5X 30 61X 80	EL. DE EMPALME M10X 1,5X 30
28	F01020132	VITE M10X1,5X90 U5737 10.9ZD	SCR. M10X1,5X90 U5737 10.9ZD	VIS M10X1,5X90 U5737 10.9 ZN	SCHR.M10X1,5X90 U5737 10.9 ZN	TORN.M10X1,5X90 U5737 10.9 ZN
29	G17322080	ASS.SUPPORTO TUBO MISCELATORE	ASS.SUPP.MIXER TUBE			
30	F01020479	VITE M10X1,5X35 U5739 8.8ZN	SCR. M10X1,5X35 U5739 8.8ZN	VIS M10X1,5X35 U5739 8.8 ZN	SCHR. M10X1,5X35 U5739 8.8 ZN	TORN. M10X1,5X35 U5739 8.8 ZN
31	F01230034	DADO M8X1,25 D982 8	NUT M8X1,25 D982 8	ECROU M8X 1,25 D982 8 ZN	MUTTER M8X 1,25 D982 8 ZN	TUERCA M8X 1,25 D982 8 ZN
32	G17322120	ASS.TUBO MISCELAT.D.150X975 C.	LONG MIXER TUBE BEND 90;			
33	F01030056	VITE M8X1,25X25 U5933 10.9ZD	SCR. M8X1,25X25 U5933 10.9ZD	VIS 8X25 5933 10.9 ZN	SCHRAUBE 8X25 5933 10.9 ZN	TORNILLO 8X25 5933 10.9 ZN
34	F02300018	FASCETTA STRING. 25/40 H.8	CLAMP 25/40 H.8	GAINIE 25/40 H.8	KLEMME 25/40 H.8	BRAZADERA 25/40 H.8
35	G16124400	FASCETTA TUBO D.150	STRAP PIPE D.150 ZN	COLLIER SERRAGE TUBE D.150 ZN	ROHRSCHELLE D.150 ZN	ABRAZADERA TUBO D.150 ZN
36	F03100530	TUBO EOLO PU-P D.32	EOLO TUBE PU-P D.32			
37	G17321881	DISTRIBUTORE 24 U.X TUBO D.150	DISTRIBUTOR 24 U.X TUBE D.150			
38	G66248098	TAPPO CONVOGLIATORE DEPR. SP	AIR PUMP CONVEYOR PLUG SP	BOUCHON CONVOYEUR TURBINE SP	VAKUUM FTRDERPFROPFEN SP	TAPN CONDUCTOR DEPR. SP D
39	G16121991					
40	F01090203	VITE M6X1X20 U5449 ZN	SCR. M6X1X20 U5449 ZN	VIS M 6X 1X 20 U5449 ZG	SCHRAUBE M 6X 1X 20 U5449	TORNIL. M 6X 1X 20 U5449
41	F01420036	ROS.M6 6,4X 18X 2 U6593 ZN	WASHER M6 6,4X 18X2 U6593 ZN	RONDELLE M6 6,4X18X2 2 U6593ZN	SCHEIBEN M6 6,4X18X 2 U6593 ZN	ARANDELA M6 6,4X18X2 U6593 ZN
42	G16121410	COPERCHIO DISTRIBUTORE 33 U.	DISTRIBUTOR COVER 33 OUTPUTS	COUVERCLE DISTRIBUTEUR 33 SORT	DECKEL SZAPPARAT 33 AUSGZNG	TAPA DISTRIBUIDOR 33 SALIDAS
43	G16121401	DISTRIBUT.33 U. D.140-150 UNIF	DISTRIBUT.33OUT.D.140-150			
44	G16023641	COPERCHIO DISTRIBUT.24/8	DISTRIBUTOR COVER 24/8			
45	G16023901	MONT.COPERCHIO DISTRIBUT.33/16	ASS.BLY DISTRIB.COVER33/16			
46	G16041320	SUPPORTO BARRA SEMINA 300	BAR SUPPORT 300	SUPPORT BARRE 300	HALTERUNG STANGE 300	SOPORTE BARRA 300
47	G16073540	SUPP.BARRA SEMINA 350	SEED BAR SUPPORT 350			
48	G16041350	SUPPORTO BARRA SEMINA 400	BAR SUPPORT 400	SUPPORT BARRE 400	HALTERUNG STANGE 400	SOPORTE BARRA 400
49	G16042990	SUPPORTO BARRA SEMINA 450	SEEDING BAR SUPPORT 450			
50	G16041340	SUPPORTO CENTR.BARRA SEMINA	BAR SUPPORT	SUPPORT BARRE	HALTERUNG STANGE	SOPORTE BARRA
51	F01230059	DADO M12X1,75 D982 8ZN	NUT M12X1,75 D982 8ZN	ECROU AUTO-FREINES M12 D982 ZN	SICHERUNGSMUTTER M12 D982 ZN	TUERCA DE SEGURIDAD M12 D982ZN

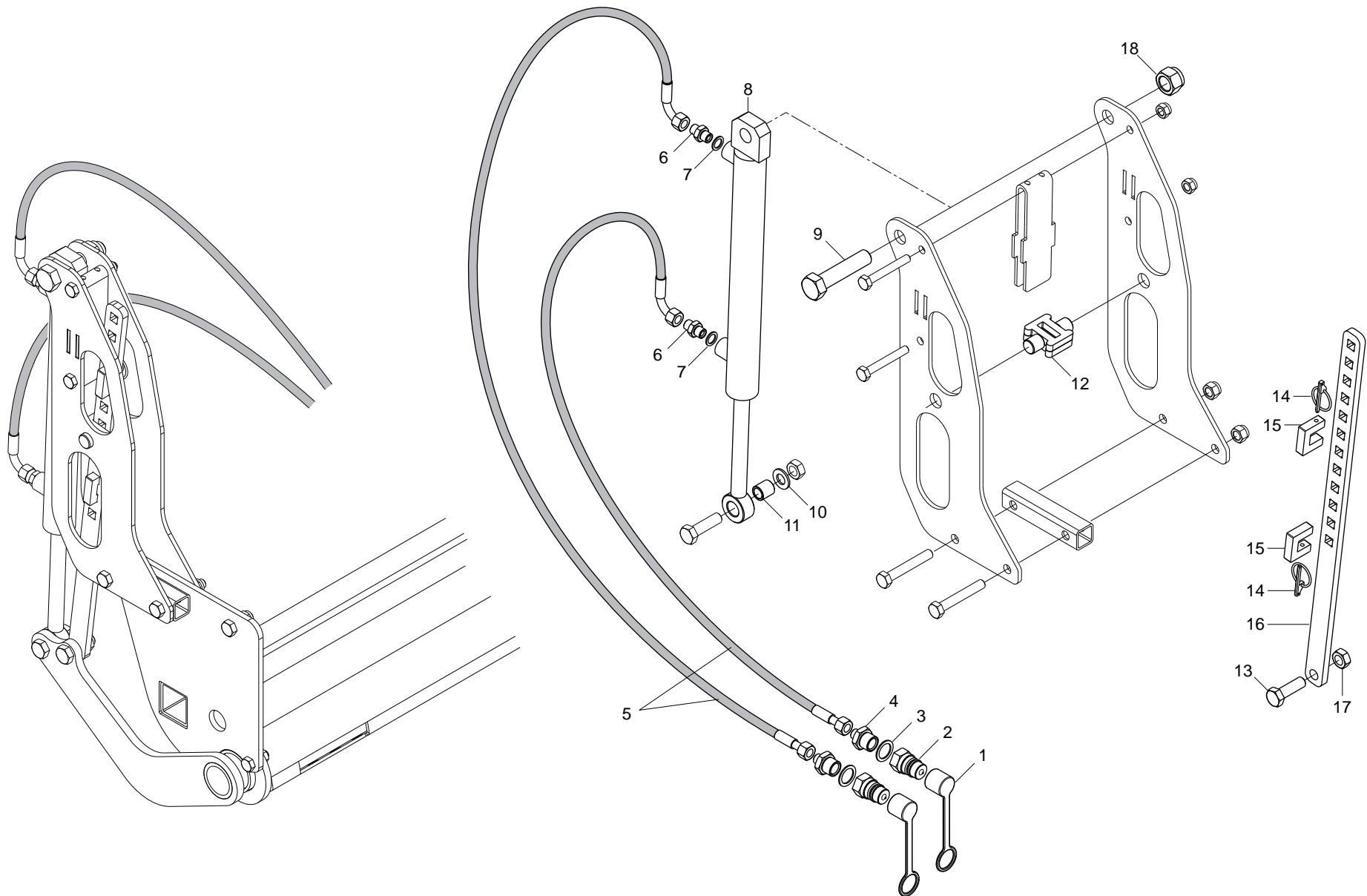
BARRA CEREALI COMBINATA - COMBINED CEREAL BAR



PRESSIONE ASSOLCATORI

TAV. 120

Pos.	Cod.	Descrizione	Description	Description	Benennung	Descripcion
1	G16042700	PROTEZIONE VITE DI REGOLAZIONE	ADJ. BOLT GUARD			
2	G18700220	RONDELLA 16,5 X28 X0,3 ACC.	WASHER 16X 28X 0,3 STEEL			
3	G16042690	ATTACCO VITE REGOLAZIONE ZN	HITCH ADJUSTER SCREW ZN			
4	F02100110	SPINA E.P. 6X 26 U6873 C70 BR	PIN EL. 6 X26 DIN 1481	FICHE EL.6 X26 DIN 1481	SPANNSTIFT 6 X26 DIN 1481	CLAVIJA EL.6 X26 DIN 1481
5	G16042750	BARRA FILETTATA ZN	THREAD BAR GALV.ED			
6	G16042420	RINFORZO	REINFORCEMENT			
7	F01230048	DADO M10X1,5 D982 8ZN	NUT M10X1,5 D982 8ZN	ECR.AUTO-FREIN.M10X1,5 D982 ZN	SICHERUNGSMUTT.M10X1,5 D982 ZN	TUERCA SEGURID.M10X1,5 D982 ZN
8	G16042460	SUPPORTO REGOLAZIONE	ADJUSTING SUPPORT			
9	F01230059	DADO M12X1,75 D982 8ZN	NUT M12X1,75 D982 8ZN	ECROU AUTO-FREINES M12 D982 ZN	SICHERUNGSMUTTER M12 D982 ZN	TUERCA DE SEGURIDAD M12 D982ZN
10	F01020547	VITE M14X2X50 U5739 8.8ZN	SCR. M14X2X50 U5739 8.8ZN	VIS M14X2X50	SCHRAUBE M14X2X50	TORNILLO M14X2X50
11	G16042720	PROLUNGA	EXTENTION			
12	F01220255	DADO M14X2 D980 8ZN	NUT M14X2 D980 8ZN	ECROU TRISTOP M14X2 D980 8 ZN	MUTTER TRISTOP M14X2 D980 8 ZN	TUERCA TRISTOP M14X2 D980 8 ZN
13	F02100106	SPINA E.P. 6X 20 U6873 C70 BR	ELASTIC PIN 6X20	GOUJON 6X 20	BOLZEN 6X 20	ESPINA 6X 20
14	F01020125	VITE M10X1,5X75 U5737 8.8ZN	SCR. M10X1,5X75 U5737 8.8ZN	VIS 10X75 5737 8.G ZN	SCHRAUBE 10X75 5737 8.G ZN	TORNILLO 10X75 5737 8.G ZN
15	F01020166	VITE M12X1,75X80 U5737 8.8ZN	SCR. M12X1,75X80 U5737 8.8ZN			
16	G16042470	TUBO Q.30X3X135 2FORI D.13	TUBE Q.30X3X135 2HOLES D.13			
17	F01020512	VITE M12X1,75X35 U5739 8.8ZN	SCR. M12X1,75X35 U5739 8.8ZN	VIS M12X1,75X35 5739 8.8 ZN	SCHR. M12X1,75X35 5739 8.8 ZN	TORN. M12X1,75X35 5739 8.8 ZN
18	F01020476	VITE M10X1,5X30 U5739 8.8ZN	SCR. M10X1,5X30 U5739 8.8ZN	VIS M10X1,5X30 U5739 8.8 ZN	SCHRAUBE M10X1,5X30U5739 8.8ZN	TORNIL.M10X1,5X30 U5739 8.8 ZN
19	F02100181	SPINA E.P. 12X 80 U6873 C70 BR	PIN EL. 12X 80 U6873 C70 BR	FICHE EL. 12X 80 U6873 C70 BR	SPANNSTIFT 12X 80 U6873 C70 BR	CLAVIJA EL.12X 80 U6873 C70 BR
20	G16312530	ANELLO CHIUSURA INFERIORE ZN	CLOSURE RING INFERIORE ZN			
21	F01220033	DADO M10X1,5 D980 8ZN	NUT M10X1,5 D980 8ZN	ECROU M10X 1,5 D980 8 ZN	MUTTER M10X 1,5 D980 8 ZN	TUERCA M10X 1,5 D980 8 ZN
22	G16042630	TUBO TENDITORE 3000	TENSIONER TUBE 3000			
23	G16042650	TUBO TENDITORE 4000	TENSIONER TUBE 4000			
24	G16042810	TUBO TENSIONE MOLLE 450	SPRING PIPE 450	TUBE RESSORT 450	ROHR FEDER 450	TUBO MUELLE 450
25	F01040129	VITE M10X1,5X80 U5931 8.8ZN	SCR. M10X1,5X80 U5931 8.8ZN	VIS M10X 1,5X 80 U5931 8.8 ZG	SCHRAUBE M10X 1,5X 80 U5931 8.	TORNIL. M10X 1,5X 80 U5931 8.8
26	G16042660	SUPPORTO CENTRALE	CENTRAL SUPPORT			
27	G16042390	BARRA AGGANCIO EL.OPERATORI300	BAR COUPLER 300	ATTELAGE BARRE 300	KUPPLUNG STANGE 300	ENGANCHE BARRA 300
28	G16042590	BARRA AGGANCIO EL.OPERATORI400	BAR COUPLER 400	ATTELAGE BARRE 400	KUPPLUNG STANGE 400	ENGANCHE BARRA 400
29	G16042790	BARRA AGGANCIO ELEMENTI450	BAR COUPLER 450	ATTELAGE BARRE 450	KUPPLUNG STANGE 450	ENGANCHE BARRA 450
30	G16043280	BARRA AGGANCIO ELEMENTI 350	BAR COUPLER 350	ATTELAGE BARRE 350	KUPPLUNG STANGE 350	ENGANCHE BARRA 350
31	G16043260	TUBO TENDITORE 3500	TENSIONER TUBE 3500			

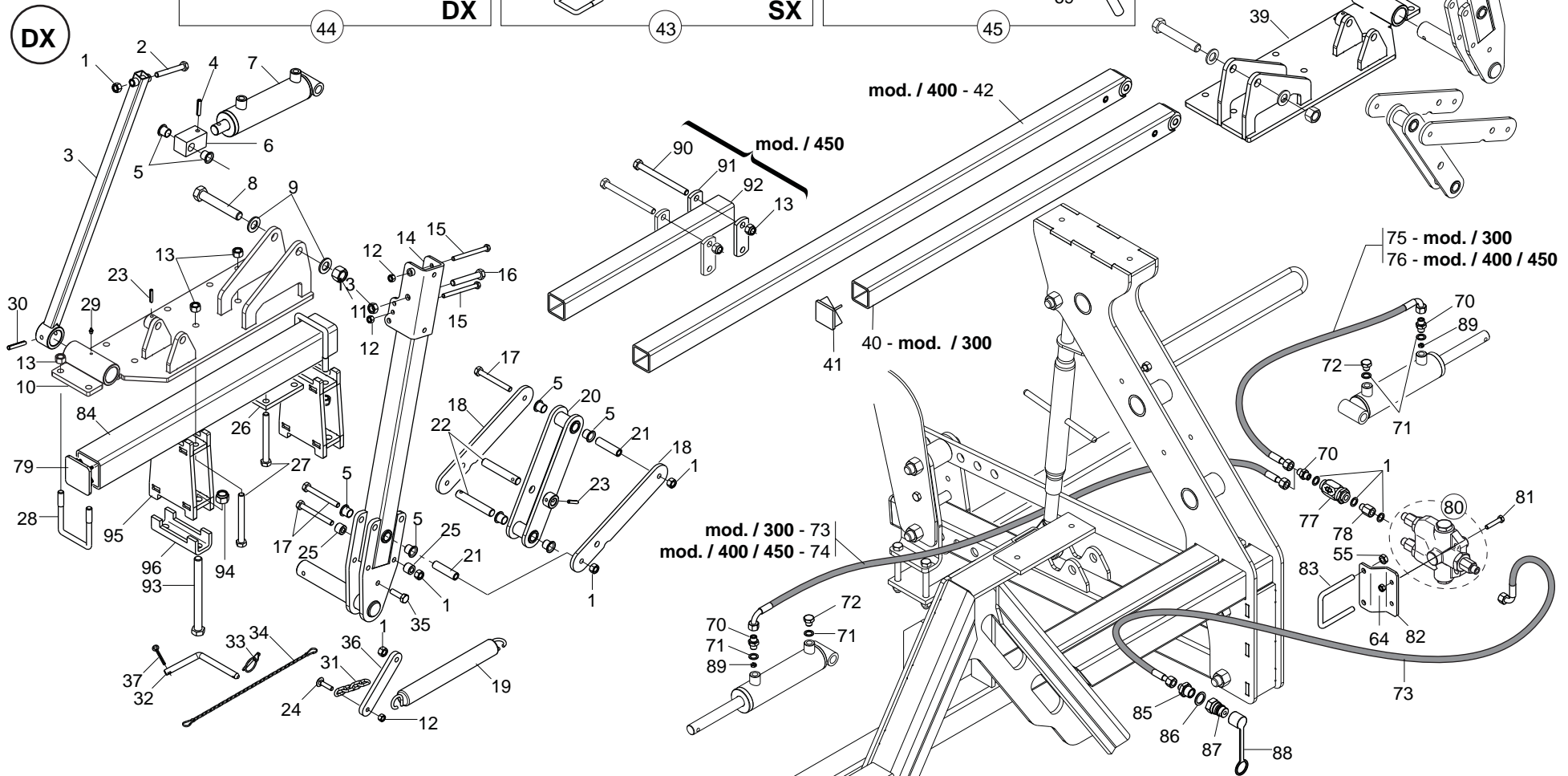
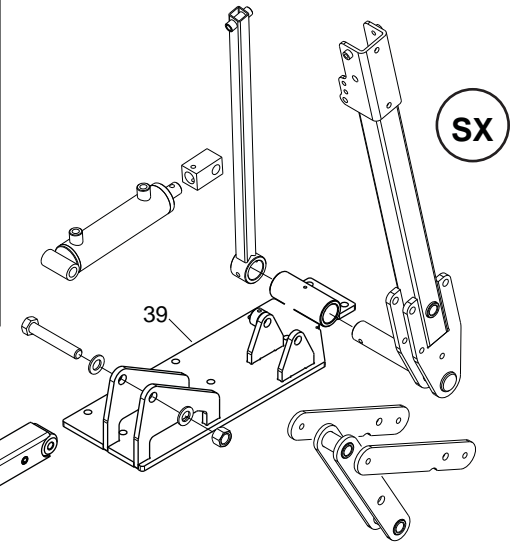
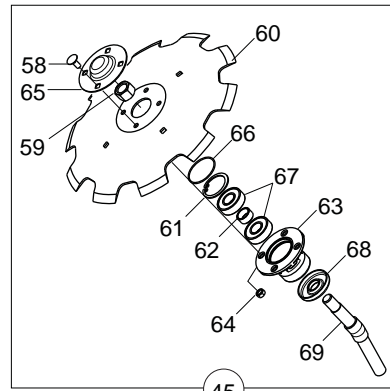
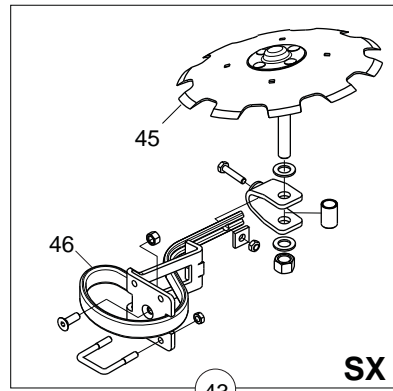
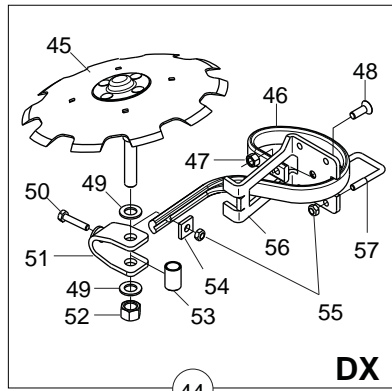


IMPIANTO OLEODINAMICO PRESSIONE ASSOLCATORI

TAV. 130

Pos.	Cod.	Descrizione	Description	Description	Benennung	Descripcion
1	F05150325	CAPPUC.F X INN.M RAP.1/2 ROSSO	COVER CONNECT F 1/2 RED	COUVERCLE CONNEXION F 1/2 ROSE	DECKEL W 1/2 SCHNELLKUPP. ROT	PAC PROTECCION F 1/2 ROJO
2	F03150935	INNESTO RAP.MASCH.1/2 A VALV.	QUICK CONNECT MALE CONE 1/2	CONNEXION RAPIDE MALE CONE 1/2	SCHNELLKUPP.GEWINDE KONISC 1/2	ACOPLAMIENT.RAP.MACHO CONO 1/2
3	F03151237	ROS. 21 X27X1,5 RAME -1/2"	COPPER WASHER 21X27X1,5 1/2	RONDELLE CUIVRE 21X27X1,5 1/2	SCHEIBE KUPFER 21X27X1,5 1/2	ARANDELA COBRE 21X27X1,5 1/2
4	F03150211	NIPPLO MM CIL-CIL 1/2-1/4 ZN	NIPLE MM CIL-CIL 1/4-1/2 ZN	NIPLE MM 1/4-1/2 ZN	NIPLE GG 1/4-1/2 ZN	NIPLE MM 1/4-1/2 ZN
5	G15210561	TUBO 1/4R2 CF1/4- F1/4 3500	PIPE 1/4R2 CF1/4- F1/4 3500	TUBE 1/4R2 CF1/4- F1/4 3500	ROHR 1/4R2 CF1/4- F1/4 3500	TUBO 1/4R2 CF1/4- F1/4 3500
6	F03150266	NIPPLO MM CIL-CIL 1/4-1/4 ZN	NIPPLE GALV.CYL.MALE 1/4 ZN	NIPPLE MALE CYL. 1/4 ZN	NIPPELZYL.1/4 ZN	NIPLE MACHO CIL.1/4 ZN
7	F01500012	RONDELLA IN RAME 1/4"	COPPER WASHER 13X19X1,5-1/4"	RONDELLE	SCHEIBE	ARANDELA
8	G16012962	CILINDRO DE 32X20 -275	CYLINDER D.E. 32X20 -275	CYLINDRE D.E. 32X20 -275	ZYLINDER D.E. 32X20 -275	CILINDRO D.E. 32X20 -275
9	F01020325	VITE M20X2,5X90 U5737 10.9ZD	SCR. M20X2,5X90 U5737 10.9ZD			
10	F01410088	ROS.M14 15X 28X2,5 U6592 ZN	WAS.M14 15X 28X2,5 U6592 ZB	RON.M14 15X 28X2,5 U6592 ZB	SCH.M14 15X 28X2,5 U6592 ZB	ARA.M14 15X 28X2,5 U6592 ZB
11	G18803120	BOCCOLA 14,25X20X21 ZN	BUSHING 14,25X20X21 GALVA	BOITE 14,25X20X21 ZN	BsCHSE 14,25X20X21 ZN	CASQUILLO 14,25X20X21 ZN
12	G16042430	GUIDALAMA	GUIDEBLADE			
13	F01020198	VITE M14X2X45 U5737 8.8ZN	SCR. M14X2X45 U5737 8.8ZN	VIS 14X45 5737 8.G ZN *	SCHRAUBE 14X45 5737 8.G ZN *	TORNILLO 14X45 5737 8.G ZN *
14	F02200452	SPINA SCATTO D.4,4 B/80 ZN	SNAP PIN D4.4 B/80 ZN	FICHE A DETENTE D4.4 B/80 ZN	EINRASTSTIFT D4.4 B/80 ZN	CLAVIJA DE MUELLE D4,4 B/80 ZN
15	G16042490	FERMO ZN	LOCK ZN			
16	G16042410	ASTA REGOLAZIONE	ADJUSATMENT ROD	TIGE REGLAGE	EINSTELLSTANGE	VARILLA REGULACIN
17	F01220255	DADO M14X2 D980 8ZN	NUT M14X2 D980 8ZN	ECROU TRISTOP M14X2 D980 8 ZN	MUTTER TRISTOP M14X2 D980 8 ZN	TUERCA TRISTOP M14X2 D980 8 ZN
18	F01230131	DADO M20X2,5 D982 6ZN	NUT M20X2,5 D982 6ZN	ECROU M20X 2,5 D982 6 ZN	MUTTER M20X 2,5 D982 6 ZN	TUERCA M20X 2,5 D982 6 ZN

BARRA CEREALI COMBINATA - COMBINED CEREAL BAR

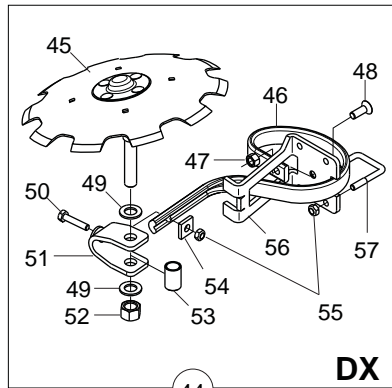


SEGNAFILE

TAV. 140

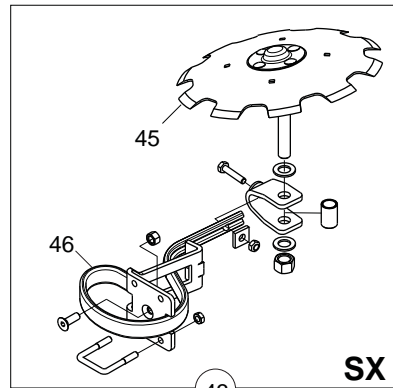
Pos.	Cod.	Descrizione	Description	Description	Benennung	Descripcion
1	F01230048	DADO M10X1,5 D982 8ZN	NUT M10X1,5 D982 8ZN	ECR.AUTO-FREIN.M10X1,5 D982 ZN	SICHERUNGSMUTT.M10X1,5 D982 ZN	TUERCA SEGURID.M10X1,5 D982 ZN
2	F01020128	VITE M10X1,5X80 U5737 8.8ZN	SCR. M10X1,5X80 U5737 8.8ZN	VIS M10X1,5X80 U5737 8.8 ZN	SCHRAUBE M10X1,5X80 U5737 8.8	TORNIL.M10X1,5X80 U5737 8.8 ZN
3	G16072150	RINFORZO SEGNAFILE	ROW MARKER REINFORCEMENT	REINFORCEMENT TRACEUR	VERSTZRKUNG REIHENANREIS	REFUERZO MARCADOR DE FILAS
4	F02100141	SPINA E.P. 8X 36 U6873 C70 BR	PIN EL. 8X 36 U6873 C70 BR	FICHE EL. 8X 36 U6873 C70 BR	SPANNSTIFT 8X 36 U6873 C70 BR	CLAVIJA EL. 8X 36 U6873 C70 BR
5	F04150013	BOCCOLA BK1 16X170 F	BUSHING BK1 16X170 F	BOITE BK1 16X170 F	BÜCHSE BK1 16X170 F	CASQUILLO BK1 16X170 F
6	G16072040	ATTACCO STELO CILINDRO ZN.	CYLINDER COUPLING	FIXATION CYLINDRE	KUPPLUNG ZYLINDER	UNIN CILINDRO
7	G16072360	CILINDRO SEGNAFILE ALIANTE	ROW MARKER CYLINDER	CYLINDRE TRACEUR	SYLINDER REIHENANREISSER	CILINDRO MARCADOR DE FILAS
8	F01010157	VITE M18X1,5X110 U5738 8.8ZN	SCR. M18X1,5X110 U5738 8.8ZN	VIS M18X1,5X110	SCHRAUBE M 18X1,5X110	TORNILLO M 18X1,5X110
9	F01410112	ROS.M18 19X 34X 3 U6592 ZN	WASHER M18 19X 34X 3 U6592 ZN	RONDELLE M18 19X34X 3 U6592 ZN	SCHEIBE M18 19X 34X 3 U6592 ZN	ARANDELA M18 19X 34X3 U6592 ZN
10	G16072200	SUPPORTO SEGNAFILE DX	RIGHT ROW MARKER SUPPORT	SUPPORT TRACEUR DRT	HALTERUNG REIHENANREISSER RE	HALTERUNG REIHENANREISSER RE
11	F01230096	DADO M18X1,5 D982 8ZN	NUT M18X1,5 D982 8ZN	ECROU M18X 1,5 D982 ZB	MUTTER M18X 1,5 D982 ZB	TUERCA M18X 1,5 D982 ZB
12	F01230034	DADO M8X1,25 D982 8	NUT M8X1,25 D982 8	ECROU M8X 1,25 D982 8 ZN	MUTTER M8X 1,25 D982 8 ZN	TUERCA M8X 1,25 D982 8 ZN
13	F01230059	DADO M12X1,75 D982 8ZN	NUT M12X1,75 D982 8ZN	ECROU AUTO-FREINES M12 D982 ZN	SICHERUNGSMUTTER M12 D982 ZN	TUERCA DE SEGURIDAD M12 D982ZN
14	G16072110	BRACCIO SEGNAFILE	ROW MARKER ARM	BRAS TRACEUR	REIHENANREISSARM	BRAZO MARCADOR DE FILAS
15	F01020090	VITE M8X1,25X100 U5737 8.8ZN	SCR. M8X1,25X100 U5737 8.8ZN			
16	F01020168	VITE M12X1,75X90 U5737 8.8ZN	SCR. M12X1,75X90 U5737 8.8ZN	VIS M12X1,75X90 U5737 8.8 ZN	SCHRAB.M12X1,75X90 5737 8.8 ZN	TORNIL.M12X1,75X90 5737 8.8 ZN
17	F01020132	VITE M10X1,5X90 U5737 10.9ZD	SCR. M10X1,5X90 U5737 10.9ZD	VIS M10X1,5X90 U5737 10.9 ZN	SCHR.M10X1,5X90 U5737 10.9 ZN	TORN.M10X1,5X90 U5737 10.9 ZN
18	G16072001	LAMA 325X50X8 F2 10,25	BLADE 325X50X8			
19	G65337004	MOLLA TRAZ.SOLLEV. FU	TRACTION SPRING LIFT. FU	RESSORT TRACT. LEVAGE FU	ZUGFEDER HEBUNG FU	MUELLE TRAC. LEVDEL. FU
20	G16072011	LEVA SOLLEVAM.SEGNAFILE	LIFTING LEVER			
21	G18801892	BOCCOLA 10X16X60,2	BUSHING 10X16X60,2	BOITE 10X16X60,2	BUECHSE 10X16X60,2	CASQUILLO 10X16X60,2
22	G16072190	PERNO D.16X100 ZN	GALVANIZED PIN D.16 X100	PIVOT D.16 X100 ZN.	ZAPPEN D.16 X100 ZN.	PERNO D.16 X100 ZN.
23	F02100113	SPINA E.P. 6X 30 U6873 C70 ZN	PIN EL. 6X30 DIN 1481 ZN *	GOUPILLE EL.6 X30 DIN1481ZN*	SPANNSTIFT 6 X30 DIN 1481 ZN	CLAVIJA EL.6 X30 DIN 1481 ZN
24	F01060041	VITE M8X1,25X25 U5732 4.6ZN	SCR. M8X1,25X25 U5732 4.6ZN	VIS 8 X25 5732 4.6 ZN	SCHRAUBE 8 X25 5732 4.6 ZN	TORNILLO 8 X25 5732 4.6 ZN
25	G18801850	BOCCOLA 10,25X20X15 ZN	BUSHING 10,25X20X15 ZN	BOITE 10,25X20X15 ZN	BÜCHSE 10,25X20X15 ZN	CASQUILLO 10,25X20X15 ZN
26	G16010170	SCONTRO 4 FORI	STRIKER PLATE 4 HOLES	BUTEE 4 TROUS	ANSCHLAG 4 LTCHER	ELEM. DE EMPALME 4 ORIFICIOS
27	F01020174	VITE M12X1,75X120 U5737 8.8ZN	SCR. M12X1,75X120 U5737 8.8ZN	VIS M12X1,75X120 U5737 8.8 ZN	SCHRAUBE M12X1,75X120 U5737 ZN	TORN.M12X1,75X120 U5737 8.8 ZN
28	F20110745	CAV.Q.B=70 M=12X1,75L=96	U BOLT Q.B=70 M=12X1,75 L=96	CAVALIER M12 POUR TUBE 70X70	BsGELBOLZEN M12 Fsr ROHR 70X70	PERNO EN U M12 X TUBO 70X70
29	F01100011	ING.M 6X1 7663-A 9SMNPB28 ZN	GREASE NIPPLE M6X1 7663-A ZN	GRAISS. A BILLE M6X1 7663A ZN	SCHMIERBUECHE M6X1 7663-A ZN	ENGRAS. DE ESFERAS M6X1 7663-A
30	F02100144	SPINA E.P. 8X 50 U6873 C70 BR	ELASTIC PIN 8X50	FICHE EL. D8 L50 D1481 C70 BR	SPANNSTIFT D8 L50 D1481 C70BR	CLAVIJA D8 L50 D1481 C70 BR
31	G16041430	CATENA GENOVESE D.5 L.102 ZN.	GENOAN CHAIN D.5 L.102 ZN	CHAINE GENOISE D.5 L.102 ZN	KETTE GENOVESE D.5 L.102 ZN	CADENA GENOVESA D.5 L.102 ZN
32	G14212010	CHIAVISTELLO PUNTELLO PIEGH.ZN	PROP LATCH ZN			
33	F02200452	SPINA SCATTO D.4,4 B/80 ZN	SNAP PIN D4.4 B/80 ZN	FICHE A DETENTE D4.4 B/80 ZN	EINRASTSTIFT D4.4 B/80 ZN	CLAVIJA DE MUELLE D4,4 B/80 ZN
34	G13812311	CATENELLA CON MOSCHETTONE ZN	CHAIN WITH SPRING CATCH	CHAINETTE AVEC MOUSQUETON	KETTE MIT KARABINERHAKEN	CADENA CON GANCHO
35	F01020479	VITE M10X1,5X35 U5739 8.8ZN	SCR. M10X1,5X35 U5739 8.8ZN	VIS M10X1,5X35 U5739 8.8 ZN	SCHR. M10X1,5X35 U5739 8.8 ZN	TORN. M10X1,5X35 U5739 8.8 ZN
36	G16072030	ASTA TENDI MOLLA	SPRING TENSION ROD	TIGE TENSION. RESSORT	STANGE FEDERSPANNUNG	VARILLA TENSIN MUELLE
37	F02200227	COPIGLIA 5X 30 U1336 ZN	PIN 5X 30 U1336 ZN			
38	F01020172	VITE M12X1,75X110 U5737 8.8ZN	SCR. M12X1,75X110 U5737 8.8ZN	VIS 12X110 5737 8.G ZN	SCHRAUBE 12X110 5737 8.G ZN	TORNILLO 12X110 5737 8.G ZN
39	G16072050	SUPPORTO SEGNAFILE SX	LEFT ROW MARKER SUPPORT	SUPPORT TRACEUR GCH	HALTERUNG REIHENANREISSER LI	SOPORTE MARCADOR DE FILAS IZQ
40	G16912250	BRACCIO SEGNAFILE	ROW MARKER ARM	BRAS TRACEUR	SPURREISSERARM	BRAZO MARCADOR SURCOS
41	F20120349	PUNTALE Q.50 ALETT.POLIT.NERO	CAP	BOUCHON	DECKEL	CORCHO
42	G16072221	BRACCIO SEGNAFILE	ROW MARKER ARM			
43	G16072600	DISCO SUPPORTO A MOLLA SX COMPL.	ROW MARKER DISK SX COMPL.			
44	G16072570	DISCO SUPPORTO A MOLLA DX COMPL.	ROW MARKER DISK DX COMPL.	DISQUE TRACEUR COMPL.	SPURREISSERSCHEIBE KOMPL.	DISCO MARCADOR DE FILAS COMPL.
45	G16072560	DISCO SEGNAFILE COMPL	COMPL. ROW MARKER DISC	DISQUE TRACEUR COMPL	SPURREISSERSCHEIBE KOMPL.	DISCO MARCADOR DE SURCOS COMPL
46	F20120333	MOLLA DISCO SEGNAFILE	ROW MARKER DISC SPRING	RESSORT DISQUE TRACEUR	FEDER SPURREISSERSCHEIBE	MUELLE DISCO MARCADOR DE SURCO
47	F01230059	DADO M12X1,75 D982 8ZN	ROW M12X1,75 D982 8ZN	ECROU AUTO-FREINES M12 D982 ZN	SICHERUNGSMUTTER M12 D982 ZN	TUERCA DE SEGURIDAD M12 D982ZN
48	F01030109	VITE M12X1,75X35 U5933 10.9ZD	SCR. M12X1,75X35 U5933 10.9ZD	VIS M12X1,75X35 U5933 10.9 ZN	SCHRA.M12X1,75X35 U5933 10.9ZN	TORN.M12X1,75X35 U5933 10.9 ZN
49	F01480254	RONDELLA D20 UNI 1751 ZN	WASHER D20 U1751 ZN	RONDELLE D20 U1751 ZN	SCHEIBE D20 U1751 ZN	ARANDELA D20 U1751 ZN
50	F01020114	VITE M10X1,5X50 U5737 8.8ZN	SCR. M10X1,5X50 U5737 8.8ZN	VIS M10X 1,5X50 U5737 8.8 ZN	SCHRA.M10X 1,5X50 U5737 8.8 ZN	TORN. M10X 1,5X50 U5737 8.8 ZN
51	G16071060	SUPPORTO PERNO DISCO SEGNAFILE	ROWMARKER DISK PIN SUPPORT	SUPPORT PIVOT DISQUE TRACEUR	ZAPPENHALTERUNG SPURREISSERSCH	SOPORTE EJE DISCO MARCASURCOS
52	F01230131	DADO M20X2,5 D982 6ZN	NUT M20X2,5 D982 6ZN	ECROU M20X 2,5 D982 6 ZN	MUTTER M20X 2,5 D982 6 ZN	TUERCA M20X 2,5 D982 6 ZN
53	G18802220	BOCCOLA 21,7X26,9X41	BUSH 21.7X26.9X41	DOUILLE 21,7X26,9X41	BUCHSE 21,7X26,9X41	MANGUITO 21,7X26,9X41
54	G16311920	PIATTO FERMO MOLLA	SPRING LOCK PLATE	PLATEAU ARR-T RESSORT	FEDERBLOCKIERPLATTE	DISCO TOPE MUELLE
55	F01220033	DADO M10X1,5 D980 8ZN	NUT M10X1,5 D980 8ZN	ECROU M10X 1,5 D980 8 ZN	MUTTER M10X 1,5 D980 8 ZN	TUERCA M10X 1,5 D980 8 ZN

BARRA CEREALI COMBINATA - COMBINED CEREAL BAR



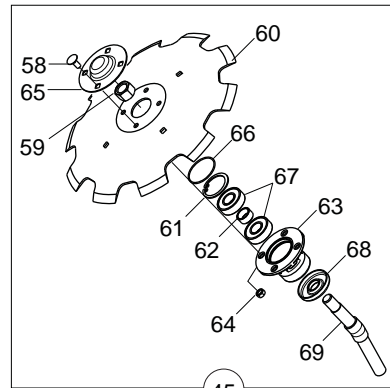
DX

44

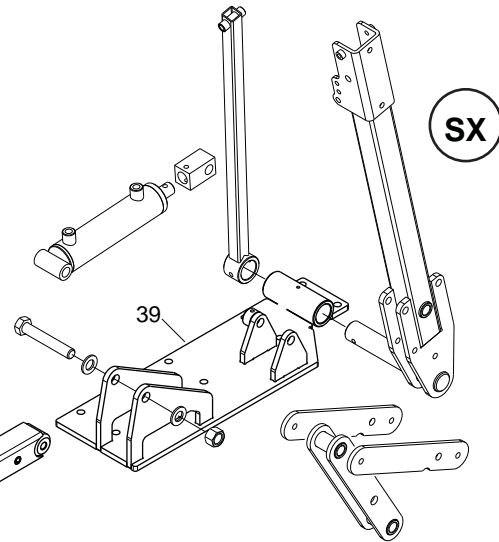


SX

43

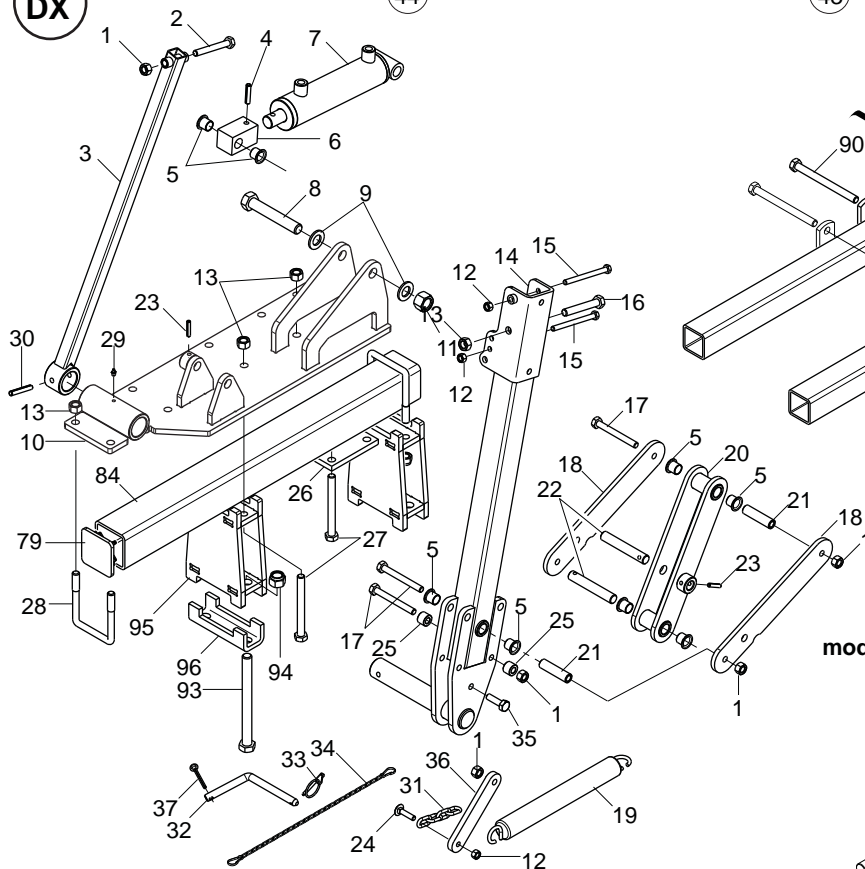


45



SX

DX



mod. / 400 - 42

mod. / 450

40 - mod. / 300

mod. / 300 - 73
mod. / 400 / 450 - 74

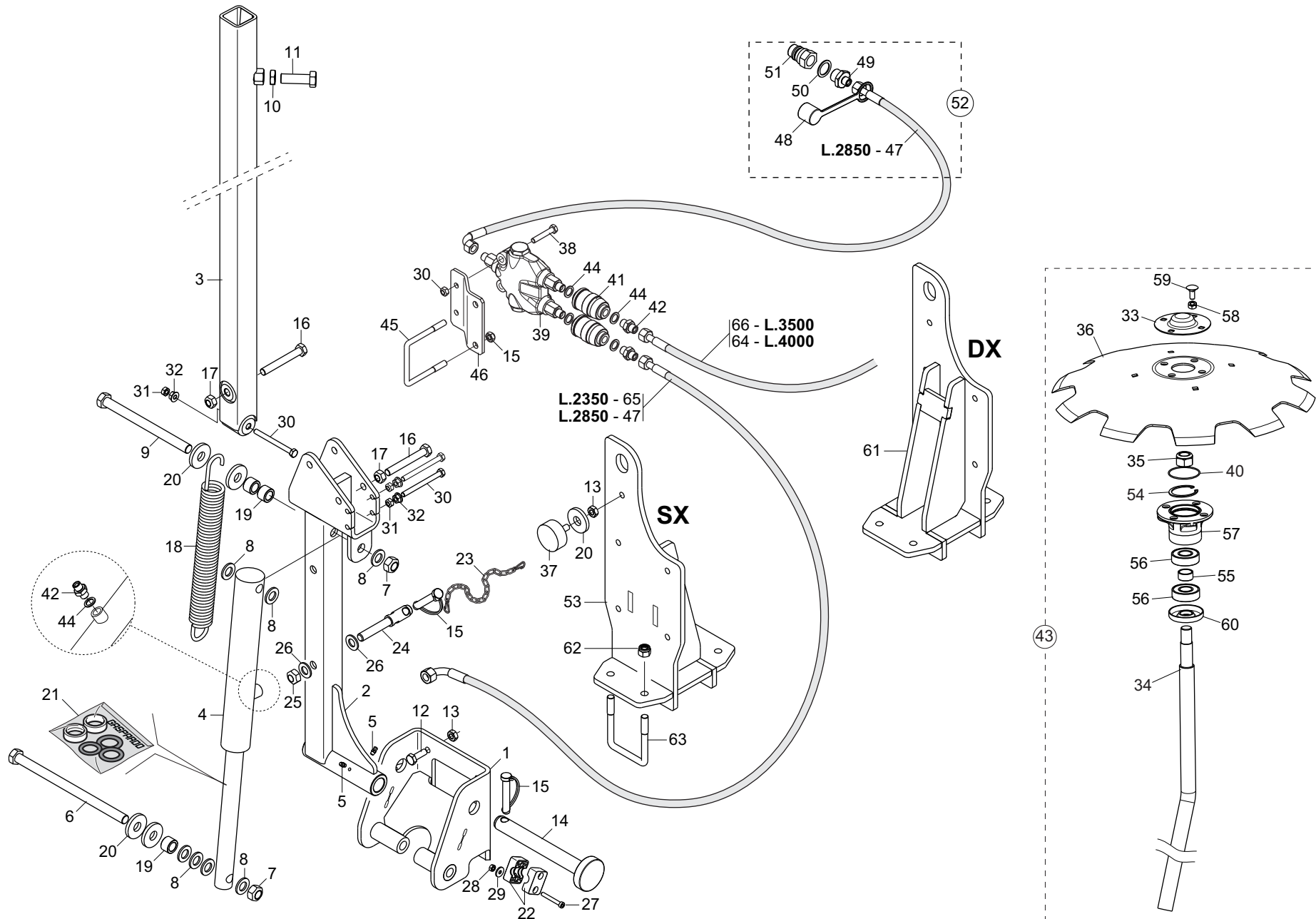
75 - mod. / 300
76 - mod. / 400 / 450

SEGNAFILE

TAV. 140

Pos.	Cod.	Descrizione	Description	Description	Benennung	Description
56	G16311850	SUPPORTO MOLLA MC	SPRING SUPPORT MC	SUPPORT RESSORT MC	FEDERHALTERUNG MC	SOPORTE MUELLE MC
57	F20110715	CAV.Q.B=50 M=10X1,5 L=80	UBOLTSTRIKER Q.B=50M10X1,5L=80	BUTEE M10X 1,5X 30 61X 80 ZB	ANSCHLAG M10X 1,5X 30 61X 80	EL. DE EMPALME M10X 1,5X 30
58	F01060040	VITE M8X1,25X20 U5732 4.6ZG	SCR. M8X1,25X20 U5732 4.6ZG	VIS M8X1,25X20 U5732 4.6 ZN	SCHRA. M8X1,25X20 U5732 4.6 ZN	TORN. M8X1,25X20 U5732 4.6 ZN
59	F01230098	DADO M18X2,5 D982 8ZN	NUT M18X2,5 D982 8ZN	ECROU M18X 2,5 D982 8 ZN	MUTTER M18X 2,5 D982 8 ZN	TUERCA M18X 2,5 D982 8 ZN
60	G16072590	DISCO SEGNAFILE D.350	ROW-MARKER DISK D.350			
61	F02050370	ANELLO E. DI 47X1,75 U7437 C70	SEEGER RING 47X 1,75 U7437 C70	SEEGER E. 47X 1,75 U7437 C70	SEEGERING E. 47X1,75 U7437 C70	ANILLO E. 47X 1,75 U7437 C70
62	G18801270	BOCCOLA 21 X25 X12 ZN B.	BUSHING 21 X25 X12 ZN			
63	G16610160	SUPP.CUSCINETTI DISCO SEGN.ZN.	GALVAN. ROWMARKER DISK BEARING	SUPPORT ROULEMENTS DISQUE TRAC	SCHEIBENLAGERHALTERUNG	SOPORTE COJINETE DE DISCO MARC
64	F01200244	DADO M8X1,25 U5588 6.8ZN	NUT M8X1,25 U5588 6.8ZN	ECROU M8 X1,25 U5588 6.8 ZN	MUTTER M8 X1,25 U5588 6.8 ZN	TUERCA M8 X1,25 U5588 6.8 ZN
65	G16610190	CHIUSURA CUSCINETTO ZN	END BEARING ZN			
66	F03010576	ANELLO OR 50,52X1,78 NBR	GASKET OR 50,52X1,78 NBR	BAGUE OR 50,52X1,78 NBR	RING OR 50,52X1,78 NBR	ANILLO OR 50,52X1,78 NBR
67	F04010156	CUSC.d20 D47 B14 6204 2RSH	BEARING d20 D47 B14 6204 2RSH			
68	G16610431	FONDELLO ZN	BOTTOM GALV.ED			
69	G16072550	ASSE DISCO SEGNAFILE ZN	DISK SPINDLE	AXE DISQUE	SCHEIBENACHSE	EJE DISCO
70	F03150266	NIPPLO MM CIL-CIL 1/4-1/4 ZN	NIPPLE GALV.CYL.MALE 1/4 ZN	NIPPLE MALE CYL. 1/4 ZN	NIPPELZYL.1/4 ZN	NIPLE MACHO CIL.1/4 ZN
71	F01500012	RONDELLA IN RAME 1/4"	COPPER WASHER 13X19X1,5-1/4"	RONDELLE	SCHEIBE	ARANDELA
72	F03150717	TAPPO 1/4 GAS ZN	PLUG 1/4	BOUCHON 1/4	PFROPFEN 1/4	TAPN 1/4
73	G15210553	TUBO 1/4R2 CF45 1/4-F 1/4 2750	PIPE 1/4R2 CF45 1/4-F 1/4 2750			
74	G15210561	TUBO 1/4R2 CF1/4- F1/4 3500	PIPE 1/4R2 CF1/4- F1/4 3500	TUBE 1/4R2 CF1/4- F1/4 3500	ROHR 1/4R2 CF1/4- F1/4 3500	TUBO 1/4R2 CF1/4- F1/4 3500
75	G16011680	TUBO 1/4' R2 C-F 1/4' L.900	PIPE 1/4'R2 C-F 1/4'L.900	TUBE 1/4'R2 C-F 1/4'L. 900	ROHR 1/4'R2 C-F 1/4'L 900	TUBO 1/4'R2 C-F 1/4'L.900
76	G15310732	TUBO 1/4R2 CF45 1/4-F 1/4 1500	TUBE 1/4R2 CF45 1/4-F 1/4 1500			
77	F03151226	REGOL.DI FLUSSO VRF 1/4' GAS	1/4' GAS VALVE VRF	SOUPAPE REG DEBIT VRF 1/4" GAZ	VENITL VRF 1/4' GAS	VæLVULA VRF 1/4' GAS
78	F03151194	PROLUNGA CORTA 036 1/4	SHORT EXTENSION 036 1/4	RALLONGE COURTE 036 1/4	KURZE VERLZNGERUNG 036 1/4	PROLONG. CORTA 036 1/4
79	F05100156	TAPPO PER TUBO 70X70	PLASTIC CAP X PIPE 70X70 TK.5	BOUCHON 70X 70	ROHRKOPFSTOPFEN 70X 70	TAPON 70X 70
80	G16611050	MONT.VALVOLA SEGNAFILE CN	ROWMARKER VALVE ASSY.	SOUPAPE TRACEUR COMPL.	KOMPL. SPURREISSERVENTIL	V-LVULA MARC. DE FILAS COMPL
81	F01020068	VITE M8X1,25X40 U5737 8.8ZN	SCR. M8X1,25X40 U5737 8.8ZN	VIS M 8X1,25X40 U5737 8.8 ZN	SCHRA. M8X1,25X40 U5737 8.8 ZN	TORNIL.M8X1,25X40 U5737 8.8 ZN
82	G16015380	SUPPORTO VALVOLA	VALVE SUPPORT	SUPPORT VANNE	VENTILHALTERUNG	SOPORTE V-LVULA
83	F20110725	CAV.Q.B=70 M=10X1,5 L=92	U BOLT Q.B=70 M=10X1,5 L=92	CAVALIER M10SUPPORT TRACEUR	BsGELBOLZEN M10 SPURREISSERHAL	PERNO EN U M10 SOPORTE MARCA.
84	G16072350	TUBO Q. 70X 5X 700	SQUARE PIPE 70x70 X5 X700	TUBE CARRE 70x70 X5 X700	VIERKANTROHR 70x70 X5 X700	TUBO CUADRADO 70x70 X5 X700
85	F03150211	NIPPLO MM CIL-CIL 1/2-1/4 ZN	NIPLE MM CIL-CIL 1/4-1/2 ZN	NIPLE MM 1/4-1/2 ZN	NIPLE GG 1/4-1/2 ZN	NIPLE MM 1/4-1/2 ZN
86	F03151237	ROS. 21 X27X1,5 RAME -1/2"	COPPER WASHER 21X27X1,5 1/2	RONDELLE CUIVRE 21X27X1,5 1/2	SCHEIBE KUPFER 21X27X1,5 1/2	ARANDELA COBRE 21X27X1,5 1/2
87	F03150935	INNESTO RAP.MASCH.1/2 A VALV.	QUICK CONNECT MALE CONE 1/2	CONNEXION RAPIDE MALE CONE 1/2	SCHNELLKUPP.GEWINDE KONISC 1/2	ACOPLAMIEN.TAP.MACHO CONO 1/2
88	F05150325	CAPPUC.F X INN.M RAP.1/2 ROSSO	COVER CONNECT F 1/2 RED	COUVERCLE CONNEXION F 1/2 ROSE	DECKEL W 1/2 SCHNELLKUPP. ROT	PAC PROTECCION F 1/2 ROJO
89	G15413050	STROZZATORE A PASTIGLIA D.0,8	PAD VENTURI D.0,8	ETRANGLEUR D.0,8	DROSSEL D.0,8	ESTRANGULADOR D.0,8
90	F01020178	VITE M12X1,75X140 U5737 8.8BR	SCR. M12X1,75X140 U5737 8.8BR	VIS M12X1,75X140 5737 8.8 BR	SCHR. M12X1,75X140 5737 8.8 BR	TORN. M12X1,75X140 5737 8.8 BR
91	G22280042	SCONTRO ATTACCO DISCO ID	STRIKER PLATEDISK ATT. ID	BUTEE FIXATION DISQUE ID	SCHEIBENKUPPLUNGS-ANSCHLAG ID	ELEMENTO DE EMPALME CONEXIN DC
92	G17916130	TUBO Q. 50X 4X 500	TUBE Q. 50X 4X 500			
93	F01020279	VITE M16X2X190 U5737 10.9ZD	SCR. M16X2X190 U5737 10.9ZD	VIS M16X2X190 U5737 10.9 ZN	SCHRA. M16X2X190 U5737 10.9 ZN	TORNIL. M16X2X190 U5737 10.9 Z
94	F01230085	DADO M16X2 D982 8ZN	NUT M16X2 D982 8ZN	ECROU M16X 2 D982 8 ZN	MUTTER M16X 2 D982 8 ZN	TUERCA M16X 2 D982 8 ZN
95	G16072310	SUPPORTO SEGNAFILE	ROW MARKER SUPPORT	SUPPORT TRACEUR	HALTERUNG REIHENANREISSER	SOPORTE MARCADOR DE FILAS
96	G36200241	SCONTRO U Q.80	FLANGE 'U' 80	BRIDE 'U' 80	ANSCHLAG 'U' 80	ELEMENTO DE EMPALME 'U' 80

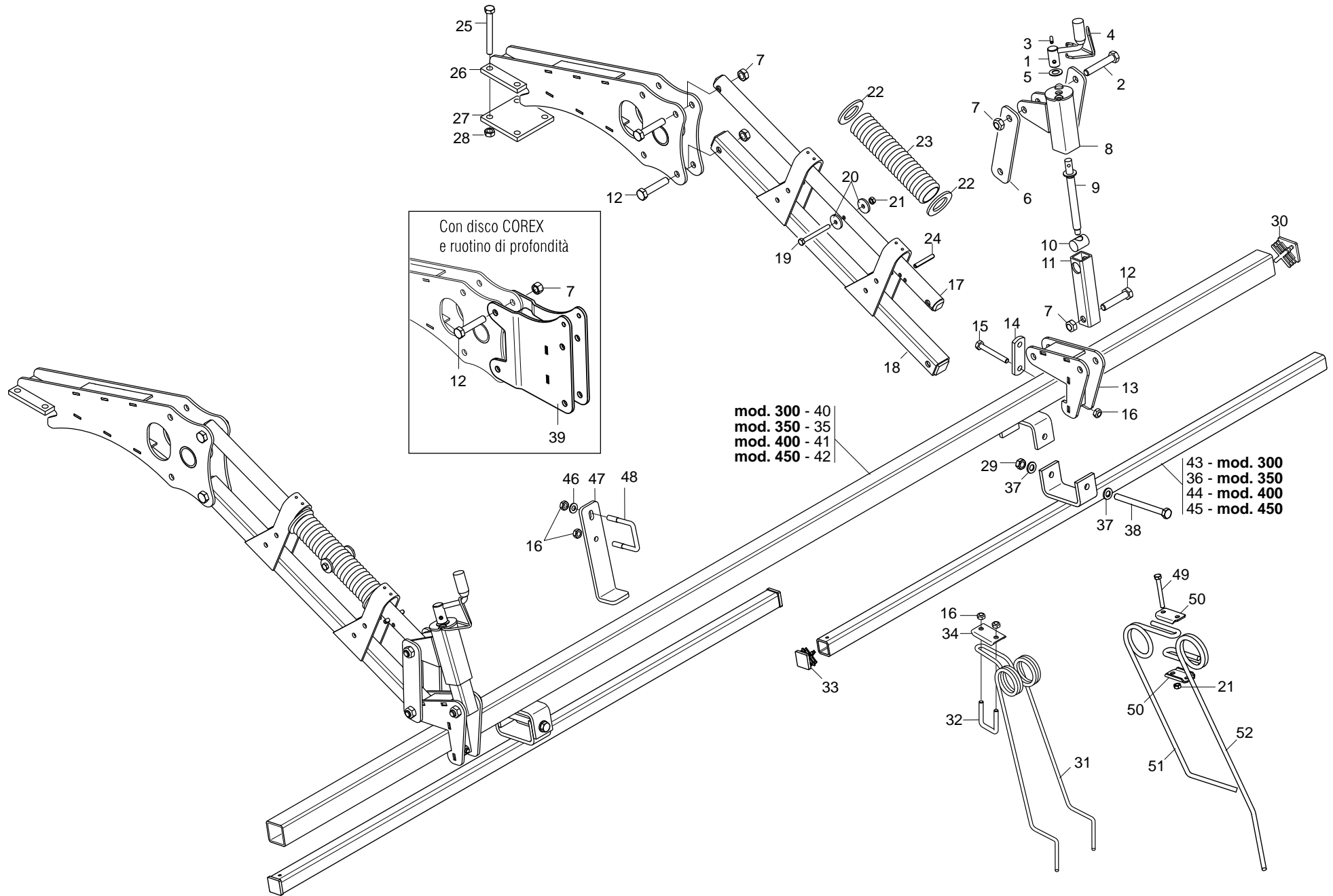
BARRA CEREALI COMBINATA - COMBINED CEREAL BAR



SEGNAFILE

Pos.	Cod.	Descrizione	Description	Description	Benennung	Descripcion
1	G16314690	ASS.SUPP.DX BRACCIO SEGNAFILE	ASS.SUPP.R.ROWMARKER ARM			
2	G16314682	CERNIERA BRACCIO SEGNAFILE	ROWMARKER ARM HINGE			
3	G16315460	PERNO D.19 BLOCCO SEGNAFILE	PIN D.19 ROWMARKER LOCK			
4	G16214000	CILINDRO SE 30X40 -220	CYLINDER SE 30X40 -220			
5	F01100011	ING.M 6X1 7663-A 95MNPB28 ZN	GREASE NIPPLE M6X1 7663-A ZN	GRAISS. A BILLE M6X1 7663-A ZN	SCHMIERBUECHE M6X1 7663-A ZN	ENGRAS. DE ESFERAS M6X1 7663-A
6	F20100134	PERNO D25 L190 C43 ZN	BOLT D25 L190 C43 ZN			
7	F02200529	SPINA SCATTO D.11 H58 ZN	SNAP PIN D.11			
8	F01020282	VITE M16X2X240 U5737 8.8ZN	SCR. M16X2X240 U5737 8.8ZN	FICHE A DETENTE D.11	EINRASTSTIFT D.11	CLAVIJA DE MUELLE D.11
9	F01220266	DADO M16X2 D980 8ZN	NUT M16X2 D980 8ZN	VIS M16X2X240 U5737 8.8 ZN	SCHRA. M16X2X240 U5737 8.8 ZN	TORN. M16X2X240 U5737 8.8 ZN
10	F01410100	ROS.M16 17X 30X 3 U6592 ZN	WASHER M16 17X30X3 U6592 ZN	ECROU M16X 2 D980 8 ZN	MUTTER M16X 2 D980 8 ZN	TUERCA M16X 2 D980 8 ZN
11	F01020279	VITE M16X2X190 U5737 10.9ZD	SCR. M16X2X190 U5737 10.9ZD	RONDELLE M16 17X30X3 U6592 ZN	SCHRAUBE M16 17X 30X3 U6592 ZN	ARANDELA M16 17X30X 3 U6592 ZN
12	F01020260	VITE M16X2X70 U5737 8.8ZN	SCR. M16X2X70 U5737 8.8ZN	VIS M16X2X190 U5737 10.9 ZN	SCHRA. M16X2X190 U5737 10.9 ZN	TORNIL. M16X2X190 U5737 10.9 ZN
13	G18700450	RONDELLA 17 X45 X6 ZN	WASHER 17X45X6 GALV.ED	VIS M16X2X70 U5737 8.8 ZN	SCHRAUBE M16X2X70 U5737 8.8 ZN	TORNILLO M16X2X70 U5737 8.8 ZN
14	F01020476	VITE M10X1,5X30 U5739 8.8ZN	SCR. M10X1,5X30 U5739 8.8ZN			
15	F01220033	DADO M10X1,5 D980 8ZN	NUT M10X1,5 D980 8ZN	VIS M10X1,5X30 U5739 8.8 ZN	SCHRAUBE M10X1,5X30 U5739 8.8ZN	TORNIL.M10X1,5X30 U5739 8.8 ZN
16	F01020166	VITE M12X1,75X80 U5737 8.8ZN	SCR. M12X1,75X80 U5737 8.8ZN	ECROU M10X 1,5 D980 8 ZN	MUTTER M10X 1,5 D980 8 ZN	TUERCA M10X 1,5 D980 8 ZN
17	F01220048	DADO M12X1,75 D980 8ZN	NUT M12X1,75 D980 8ZN			
18	G16214150	MOLLA SEGNAFILE ZN	ROW-MARKER SPRING ZN	ECROU M12X1,75 D980 8 ZN	SCHEIBE M12X1,75 D980 8 ZN	TUERCA M12X1,75 D980 8 ZN
19	F01020050	VITE M6X1X80 U5737 8.8ZN	SCR. M6X1X80 U5737 8.8ZN			
20	G20980014	BOCCOLA 16,5X16,5X25	BUSHING 16-5X16-5X25	VIS 6 X80 5737 8.G ZN	SCHRAUBE 6 X80 5737 8.G ZN	TORNILLO 6 X80 5737 8.G ZN
21	F01220011	DADO M6X1 D980 8ZN	NUT M6X1 D980 8ZN	BOITE 16-5X16-5X25	BsCHSE 16-5X16-5X25	CASQUILLO 16-5X16-5X25
22	F05150460	PARACOLPI CIL.D50X21 M10X26,5	RUBBER BUFFER- CYLINDR.D50X21	ECROU M6X1 D980 8 ZN	MUTTER M6X1 D980 8 ZN	TUERCA M6X1 D980 8 ZN
23	F01420036	ROS.M6 6,4X 18X 2 U6593 ZN	WASHER M6 6,4X 18X2 U6593 ZN	PARE-CHOCs CYL. D50X21	PUFFER ZYL.50X21	PARAGOLPES CIL.D50X21
24	F01040067	VITE M6X1X45 U5931 8.8ZN	SCR. M6X1X45 U5931 8.8ZN	RONDELLE M6 6,4X18X2 U6593ZN	SCHEIBEN M6 6,4X18X 2 U6593 ZN	ARANDELA M6 6,4X18X2 U6593 ZN
25	F03151136	COPPIA COLLARE A1-12 S	COLLAR A1-12 S	VIS M6X45	SCHRAUBE M 6X45	TORNILLO M 6X45
26	F02050370	ANELLO E. DI 47X1,75 U7437 C70	SEEGER RING 47X 1,75 U7437 C70	COLLIER A1-12 S	BUNDRING A1-12 S	ARGOLLA A1-12 S
27	G18801270	BOCCOLA 21 X25 X12 ZN B.	BUSHING 21 X25 X12 ZN	SEEGER E. 47X 1,75 U7437 C70	SEEGERING E. 47X1,75 U7437 C70	ANILLO E. 47X 1,75 U7437 C70
28	F04010156	CUSC.d20 D47 B14 6204 2RSH	BEARING d20 D47 B14 6204 2RSH			
29	G16610160	SUPP.CUSCINETTI DISCO SEGN.ZN.	GALVAN. ROWMARKER DISK BEARING	SUPPORT ROULEMENTS DISQUE TRAC	SCHEIBENLAGERHALTERUNG	SOPORTE COJINETE DE DISCO MARC
30	F01200244	DADO M8X1,25 U5588 6.8ZN	NUT M8X1,25 U5588 6.8ZN	ECROU M8 X1,25 U5588 6.8 ZN	MUTTER M8 X1,25 U5588 6.8 ZN	TUERCA M8 X1,25 U5588 6.8 ZN
31	F01060040	VITE M8X1,25X20 U5732 4.6ZG	SCR. M8X1,25X20 U5732 4.6ZG	VIS M8X1,25X20 U5732 4.6 ZN	SCHRA. M8X1,25X20 U5732 4.6 ZN	TORN. M8X1,25X20 U5732 4.6 ZN
32	G16610431	FONDELLO ZN	BOTTOM GALV.ED			
33	G16610190	CHIUSURA CUSCINETTO ZN	END BEARING ZN			
34	G16314340	PERNO REGGI DISCO SEGNAFILE	ROWMARKER DISK PIN			
35	F01230098	DADO M18X2,5 D982 8ZN	NUT M18X2,5 D982 8ZN	ECROU M18X 2,5 D982 8 ZN	MUTTER M18X 2,5 D982 8 ZN	TUERCA M18X 2,5 D982 8 ZN
36	G17712830	DISCO SEGNAFILE D.450	ROWMARKER DISK D.450			
37	G16314671	BRACCIO SEGNAFILE	ROW MARKER ARM			
38	F01020451	VITE M8X1,25X45 U5739 8.8ZN	SCR. M8X1,25X45 U5739 8.8ZN	VIS M8X45	SCHRAUBE M 8X45	TORNILLO M 8X45
39	G16611050	MONT.VALVOLA SEGNAFILE CN	ROWMARKER VALVE ASSY.	SOUPEPE TRACEUR COMPL.	KOMPL. SPURREISSEVENTIL	V-LVULA MARC. DE FILAS COMPL
40	F03010576	ANELLO OR 50,52X1,78 NBR	GASKET OR 50,52X1,78 NBR	BAGUE OR 50,52X1,78 NBR	RING OR 50,52X1,78 NBR	ANILLO OR 50,52X1,78 NBR
41	F03151226	REGOL.DI FLUSSO VRF 1/4" GAS	1/4" GAS VALVE VRF	SOUPEPE REG DEBIT VRF 1/4" GAZ	VENITL VRF 1/4" GAS	VæLVULA VRF 1/4" GAS
42	F03150266	NIPPLO MM CIL-CIL 1/4-1/4 ZN	NIPPLE GALV.CYL.MALE 1/4 ZN	NIPPLE MALE CYL. 1/4 ZN	NIPPELZYL.1/4 ZN	NIPLE MACHO CIL.1/4 ZN
43	G16314660	MONT.DISCO SEGNAFILE DAMA	ROWMARKER DISK DAMA			
44	F01500012	RONDELLA IN RAME 1/4"	COPPER WASHER 13X19X1,5-1/4"	RONDELLE	SCHEIBE	ARANDELA
45	F20110725	CAV.Q.B=70 M=10X1,5 L=92	U BOLT Q.B=70 M=10X1,5 L=92	CAVALIER M10SUPPORT TRACEUR	BsGELBOLZEN M10 SPURREISSERHAL	PERNO EN U M10 SOPORTE MARCA.
46	G16015380	SUPPORTO VALVOLA	VALVE SUPPORT	SUPPORT VANNE	VENTILHALTERUNG	SOPORTE V-LVULA
47	G15210554	TUBO 1/4R2 F1/4-CF1/4 2850	TUBE 1/4R2 F1/4-CF1/4 2850			
48	F05150325	CAPPUC.F X INN.M RAP.1/2 ROSSO	COVER CONNECT F 1/2 RED	COUVERCLE CONNEXION F 1/2 ROSE	DECKEL W 1/2 SCHNELLKUPP. ROT	PAC PROTECCION F 1/2 ROJO
49	F03150211	NIPPLO MM CIL-CIL 1/2-1/4 ZN	NIPLE MM CIL-CIL 1/4-1/2 ZN	NIPLE MM 1/4-1/2 ZN	NIPLE GG 1/4-1/2 ZN	NIPLE MM 1/4-1/2 ZN
50	F03151237	ROS. 21 X27X1,5 RAME -1/2"	COPPER WASHER 21X27X1,5 1/2	RONDELLE CUIVRE 21X27X1,5 1/2	SCHEIBE KUPFER 21X27X1,5 1/2	ARANDELA COBRE 21X27X1,5 1/2
51	F03150935	INNETTO RAP.MASCH.1/2 A VALV.	QUICK CONNECT MALE CONE 1/2	CONNEXION RAPIDE MALE CONE 1/2	SCHNELLKUPP.GEWINDE KONISC 1/2	ACOPLAMIENT.RAP.MACHO CONO 1/2
52	G13616401	TUBO OLEODINAMICO L.2850 COMPL	OLEOD.TUBE L.2850 COMPL			
53	G16076000					
54	F03100191	KIT GUARNIZ.CILINDRO 15413110	CYLINDER SEAL KIT 15413110	KIT GARNIT. CYLINDRE 15413110	KIT ZYLINDERDICHTUNG 15413110	KIT JUNTA CILINDRO 15413110
55	F02200584	SPINA SICUR. D. 12X70 ZN	PIN D12 L70 ZN	FICHE D12 L70 ZN	STIFT D12 L70 ZN	CLAVIJA D12 L70 ZN
56	G13812311	CATENELLA CON MOSCHETTONE ZN	CHAIN WITH SPRING CATCH	CHAINETTE AVEC MOUSQUETON	KETTE MIT KARABINERHAKEN	CADENA CON GANCHO
57	F01410088	ROS.M14 15X 28X2,5 U6592 ZN	WAS.M14 15X 28X2,5 U6592 ZB	RON.N.M14 15X 28X2,5 U6592 ZB	SCH.M14 15X 28X2,5 U6592 ZB	ARA.M14 15X 28X2,5 U6592 ZB
58	F01480134	ROS.G 15X26,5X4,5 FLZNNC-240H	GROWER 15X26,5X4,5 EX.C70 ZN	RONDELLE GROWER 15X26,5X4,5	SCHEIBE GROWER 15X26,5X4,5	ARANDELA GROWER 15X26,5X4,5
59	F01220255	DADO M14X2 D980 8ZN	NUT M14X2 D980 8ZN	ECROU TRISTOP M14X2 D980 8 ZN	MUTTER TRISTOP M14X2 D980 8 ZN	TUERCA TRISTOP M14X2 D980 8 ZN
60	F01200444	DADO M16X2 U5589 6SZN	NUT M16X2 U5589 6SZN	ECROU M16X2	MUTTER M16X2	DADO M16X2
61	G16076010					
62	F01230059	DADO M12X1,75 D982 8ZN	NUT M12X1,75 D982 8ZN	ECROU AUTO-FREINES M12 D982 ZN	SICHERUNGSMUTTER M12 D982 ZN	TUERCA DE SEGURIDAD M12 D982ZN
63	F20110745	CAV.Q.B=70 M=12X1,75L=96	U BOLT Q.B=70 M=12X1,75 L=96	CAVALIER M12 POUR TUBE 70X70	BsGELBOLZEN M12 F5R ROHR 70X70	PERNO EN U M12 X TUBO 70X70
64	G16012650	TUBO R2 1/4 C-F L.4000	PIPE 1/4 R2 C-F 1/4 L.4000	TUBE 1/4 R2 C-F 1/4 L. 4000	ROHR 1/4 R2 C-F 1/4 L. 4000	TUBO 1/4 R2 C-F 1/4 L.4000
65	G22505140	TUBO 1/4R2 C-F 1/4 L.2350 LM	PIPE 1/4R2 C-F 1/4 L.2350 LM			
66	G15210561	TUBO 1/4R2 CF1/4- F1/4 3500	PIPE 1/4R2 CF1/4- F1/4 3500	TUBE 1/4R2 CF1/4- F1/4 3500	ROHR 1/4R2 CF1/4- F1/4 3500	TUBO 1/4R2 CF1/4- F1/4 3500
67	G16012650	TUBO R2 1/4 C-F L.4000	PIPE 1/4 R2 C-F 1/4 L.4000	TUBE 1/4 R2 C-F 1/4 L. 4000	ROHR 1/4 R2 C-F 1/4 L. 4000	TUBO 1/4 R2 C-F 1/4 L.4000

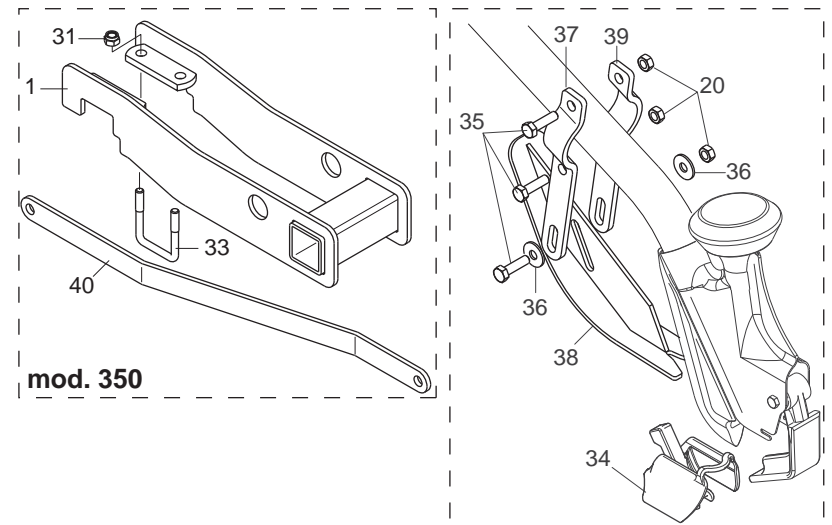
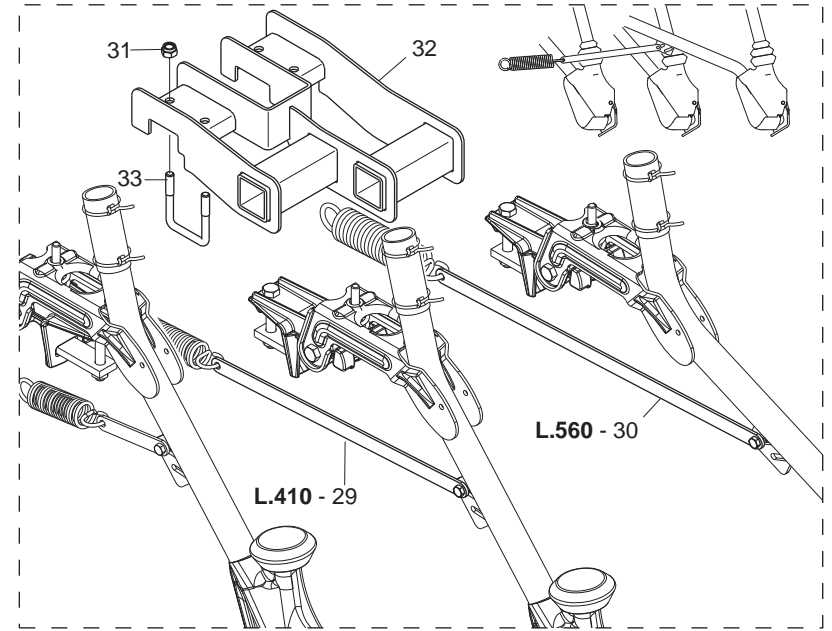
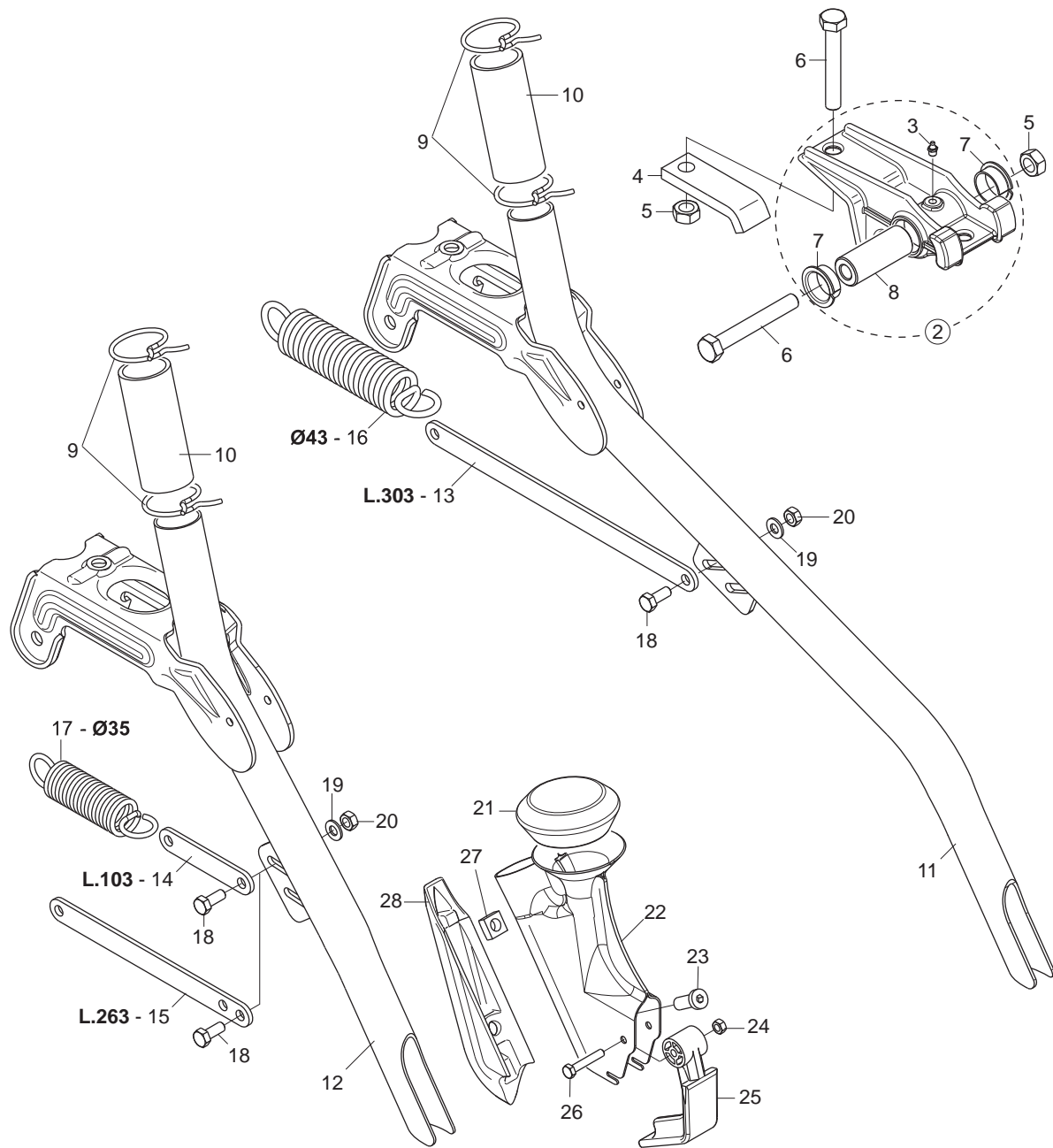
BARRA CEREALI COMBINATA - COMBINED CEREAL BAR



ERPICE COPRISEME

TAV. 150

Pos.	Cod.	Descrizione	Description	Description	Benennung	Description
1	G22270235	MANIGLIA REGOLAZIONE B4	ADJUSTMENT HANDLE B4	POIGNEE REGLAGE B4	EINSTELLGRIFF B4	MANIJA REGULACIN B4 M
2	F01020210	VITE M14X2X80 U5737 8.8ZN	SCR. M14X2X80 U5737 8.8ZN	VIS M14X 2X 80 U5737 8.8 ZN	SCHRA. M14X 2X80 U5737 8.8 ZN	TORN. M14X 2X 80 U5737 8.8 ZN
3	F02100109	SPINA E.P. 6X 24 U6873 C70 BR	PIN EL. .6 X24 DIN 1481	FICHE EL. 6 X24 DIN 1481	SPANNSTIFT 6 X24 DIN 1481	CLAVIJA EL.6 X24 DIN 1481
4	G65336100	MOLLA SPEC.FERMO MANIGLIA SP	SPEC SPRING HANDLE STOP SP	RESSORT SPEC. ARRET POIGNEE SP	SPEZIALFEDER GRIFFSPERRE SP	MUELLE ESPEC. BLOQUEO MANIJA S
5	G20970149	RONDELLA D.15X28X1,5	WASHER D.15X28X1-5	RONDELLE D. 15X28X1-5	UNTERLEGSSCHEIBE D.15X28X1-5	ARANDELA D.15X28X1-5
6	G16243470	SCONTR0 200X 50- 6 2F14 155	STRIKER 200X50 -6 2F14 155	BUTEE 200X50 -6 2F14 155	ANSCHLAG 200X50 -6 2F14 155	ELEMENTO DE EMPALME 200X50 -6
7	F01220255	DADO M14X2 D980 8ZN	NUT M14X2 D980 8ZN	ECROU TRISTOP M14X2 D980 8 ZN	MUTTER TRISTOP M14X2 D980 8 ZN	TUERCA TRISTOP M14X2 D980 8 ZN
8	G16243580	TUBO REGOLAZIONE	ADJUSTMENT TUBE	TUBE REGLAGE	ROHR EINSTELLUNG	TUBO REGULACION
9	G22505058	VITE DI REGOLAZIONE POSTERIORE	REAR ADJUSTMENT BOLT	VIS DE REGLAGE ARRIERE	HINTERE EINSTELLSCHRAUBE	TORNILLO DE REGULACIN TRASEROS
10	G22230063	ELEMENTO ARTICOLATO	ARTICULATED ELEMENT	ELEMENT ARTICULE	GELENKELEMENT	ELEMENTO ARTICULADO
11	G16243530	TUBO INTERNO DI REGOLAZIONE	INTERNAL PIPE	TUBE INT.	INNENROHR	TUBO INTERIOR
12	F01020207	VITE M14X2X70 U5737 8.8ZN	SCR. M14X2X70 U5737 8.8ZN	VIS M14X2X70 U5737 8.8 ZN	SCHRAUBE M14X2X70 U5737 8.8 ZN	TORNILLO M14X2X70 U5737 8.8 ZN
13	G16243491	SUPPORTO ERPICE	HARROW SUPPORT			
14	G20890017	SCONTR0	STRIKER PLATE	BUTEE	ANSCHLAG	ELEMENTO DE EMPALME
15	F01020128	VITE M10X1,5X80 U5737 8.8ZN	SCR. M10X1,5X80 U5737 8.8ZN	VIS M10X1,5X80 U5737 8.8 ZN	SCHRAUBE M10X1,5X80 U5737 8.8	TORNIL.M10X1,5X80 U5737 8.8 ZN
16	F01220033	DADO M10X1,5 D980 8ZN	NUT M10X1,5 D980 8ZN	ECROU M10X 1,5 D980 8 ZN	MUTTER M10X 1,5 D980 8 ZN	TUERCA M10X 1,5 D980 8 ZN
17	G16041760	TUBO SUP.ERPICE	PIPE SUPPORT HARROW	TUBE SUPPORT	ALTERUNGSROHR	TUBO SOPORTE
18	G16243441	TUBO INFERIORE ERPICE	LOWER HARROW TUBE			
19	F01020086	VITE M8X1,25X80 U5737 8.8ZN	SCR. M8X1,25X80 U5737 8.8ZN	VIS M8X1X80	SCHRAUBE M8X1X80	TORNILLO M8X1X80
20	G20970032	RONDELLA 32X4X8,5	WASHER 32X4X8-5	RONDELLE 32X4X8-5	UNTERLEGSSCHEIBE 32X4X8-5	ARANDELA 32X4X8-5
21	F01220022	DADO M8X1,25 D980 8ZN	NUT M8X1,25 D980 8ZN	ECROU M8X 1,25 D980 8 ZN	MUTTER M8X 1,25 D980 8 ZN	TUERCA M8X 1,25 D980 8 ZN
22	F01420118	ROS.M36 37X 66X 5 U6592 ZN	WASHER M36 37X 66X 5 U6592	RONDELLE 39X66X5 6593 ZB	SCHEIBE 39X66X5 6593 ZB	ARANDELA 39X66X5 6593 ZB
23	G18903560	MOLLA COMPRESSIONE ERPICE	SPRING.	RESSORT COMPL.	DRUCKFEDER	MUELLE COMP.
24	F02100146	SPINA E.P. 8X 55 U6873 C70 BR	PIN EL. .8 X55 DIN 1481	FICHE EL.8 X55 DIN 1481	SPANNSTIFT 8 X55 DIN 1481	CLAVIJA EL.8 X55 DIN 1481
25	F01020172	VITE M12X1,75X110 U5737 8.8ZN	SCR. M12X1,75X110 U5737 8.8ZN	VIS 12X110 5737 8.G ZN	SCHRAUBE 12X110 5737 8.G ZN	TORNILLO 12X110 5737 8.G ZN
26	G16042910	SUPPORTO ERPICE	HARROW SUPPORT			
27	F16010170	SCONTR0 4 FORI	STRIKER PLATE 4 HOLES	BUTEE 4 TROUS	ANSCHLAG 4 LTCHER	ELEM. DE EMPALME 4 ORIFICIOS
28	F01230059	DADO M12X1,75 D982 8ZN	NUT M12X1,75 D982 8ZN	ECROU AUTO-FREINES M12 D982 ZN	SICHERUNGSMUTTER M12 D982 ZN	TUERCA DE SEGURIDAD M12 D982ZN
29	F01220048	DADO M12X1,75 D980 8ZN	NUT M12X1,75 D980 8ZN	ECROU M12X1,75 D980 8 ZN	SCHEIBE M12X1,75 D980 8 ZN	TUERCA M12X1,75 D980 8 ZN
30	F20120349	PUNTALE Q.50 ALETT.POLIT.NERO	CAP	BOUCHON	DECKEL	CORCHO
31	G18904710	MOLLA COPRISEME 2 PUNTE D.9	SEED COVER SPRING 2 TIPS D.9			
32	F20110705	CAV.Q.B=40 M=10X1,5 L=62	U BOLT Q.B=40 M=10X1,5 L=62	CAVALIER ZN	BsGELBOLZEN ZN	PERNO EN U ZN
33	F20120346	PUNTALE Q 35 ALETT.POLIT.NERO	SQ.TIP 35 BLACK			
34	G16240780	PIASTRINA X MOLLA ERPICE ZN	PLATE SEED COVER SPRING	PLAQUETTE RESSORT COUVRE-GRAIN	PLZTTCHEN SAMENABDECKFEDER	PLAQUETA MUELLE CUBRESEMILLAS
35	G16043360	TUBO SUPPORTO ERPICE 350	HARROW SUPPORT TUBE 350	TUBE SUP.HERSE 350	ROHR EGGENHALTERUNG 350	TUBO SOP.GARDA 350
36	G16043370	TUBO INF.ERPICE 350	LOWER HARROW TUBE 350			
37	F01410076	ROS.M12 13X 24X2,5 U6592 ZN	WASHER 12 13X 24X2,5 U6592 ZN	RONDEL. M12 13X24X2,5 U6592 ZN	SCHEIBE M12 13X24X2,5 U6592 ZN	ARANDELA M12 13 X24X2,5 ZN
38	F01020179	VITE M12X1,75X150 U5737 8.8ZN	SCR. M12X1,75X150 U5737 8.8ZN	VIS M12X1,75X150 5737 8.8 ZN	SCHRA.M12X1,75X150 5737 8.8 ZN	TORN. M12X1,75X150 5737 8.8 ZN
39	G16041740	PROLUNGA ERPICE COPRISEME	EXTENSION	RALLONGE	VERLZNGERUNG	PROLONGACION
40	G16243560	TUBO SUPPORTO ERPICE	HARROW SUPPORT TUBE	TUBE SUP.HERSE	ROHR EGGENHALTERUNG	TUBO SOP.GARDA
41	G16243710	TUBO SUPPORTO ERPICE	HARROW SUPPORT TUBE	TUBE SUP.HERSE	ROHR EGGENHALTERUNG	TUBO SOP.GARDA
42	G16042840	TUBO SUPPORTO ERPICE 450	HARROW SUPPORT TUBE 450	TUBE SUP.HERSE 450	ROHR EGGENHALTERUNG 450	TUBO SOP.GARDA 450
43	G16240430	TUBO INFERIORE ERPICE	LOWER HARROW TUBE	TUBE INFERIEUR HERSE	UNTERES ROHR EGGE	TUBO INFERIOR GRADA
44	G16240840	TUBO INF.ERPICE M400	TUB INF.HARROW M400			
45	G16042860	TUBO INF.ERPICE 450	LOWER HARROW TUBE 450			
46	F01420060	ROS.M10 10,5X 30X2,5 U6593 ZN	WASHER 10,5X30	RONDELLE 10,5X30	SCHEIBE 10,5X30	ARANDELA 10,5X30
47	G16073100	GUIDA BRACCIO OSCILLANTE	ARM GUIDE OSCILLATING			
48	F20110715	CAV.Q.B=50 M=10X1,5 L=80	UBOLTSTRIKER Q.B=50M10X1,5L=80	BUTEE M10X 1,5X 30 61X 80 ZB	ANSCHLAG M10X 1,5X 30 61X 80	EL. DE EMPALME M10X 1,5X 30
49	F01020083	VITE M8X1,25X70 U5737 8.8ZN	SCR. M8X1,25X70 U5737 8.8ZN	VIS M 8X70	SCHRAUBE M 8X70	TORNILLO M 8X70
50	G07000026	PIASTR.DENTI A MOLLA ZN	GALVAN. SPRING TOOTHED PLATE	PLAQUE DENTS A RESSORT ZN	PLATTE FEDERZZHNE ZN	PLACA DIENTES DE MUELLE ZN
51	G18903640	MOLLA CORTA COPRISEME D.9	SPEC. SPRING SHORT TOOTH D.9	DENT HERSE RECOUVR COURTE D.9	SPEZIALFEDER M. KURZ.ZAHN D.9	MUELLE ESPEC.DIENTE CORTO D.9
52	G18903650	MOLLA LUNGA COPRISEME D.9	SPEC. SPRING LONG TOOTH D.9	DENT HERSE RECOUVR LONGUE D.9	SPEZIALFEDER M. LANG.ZAHN D.9	MUELLE ESPEC.DIENTE LARGO D.9

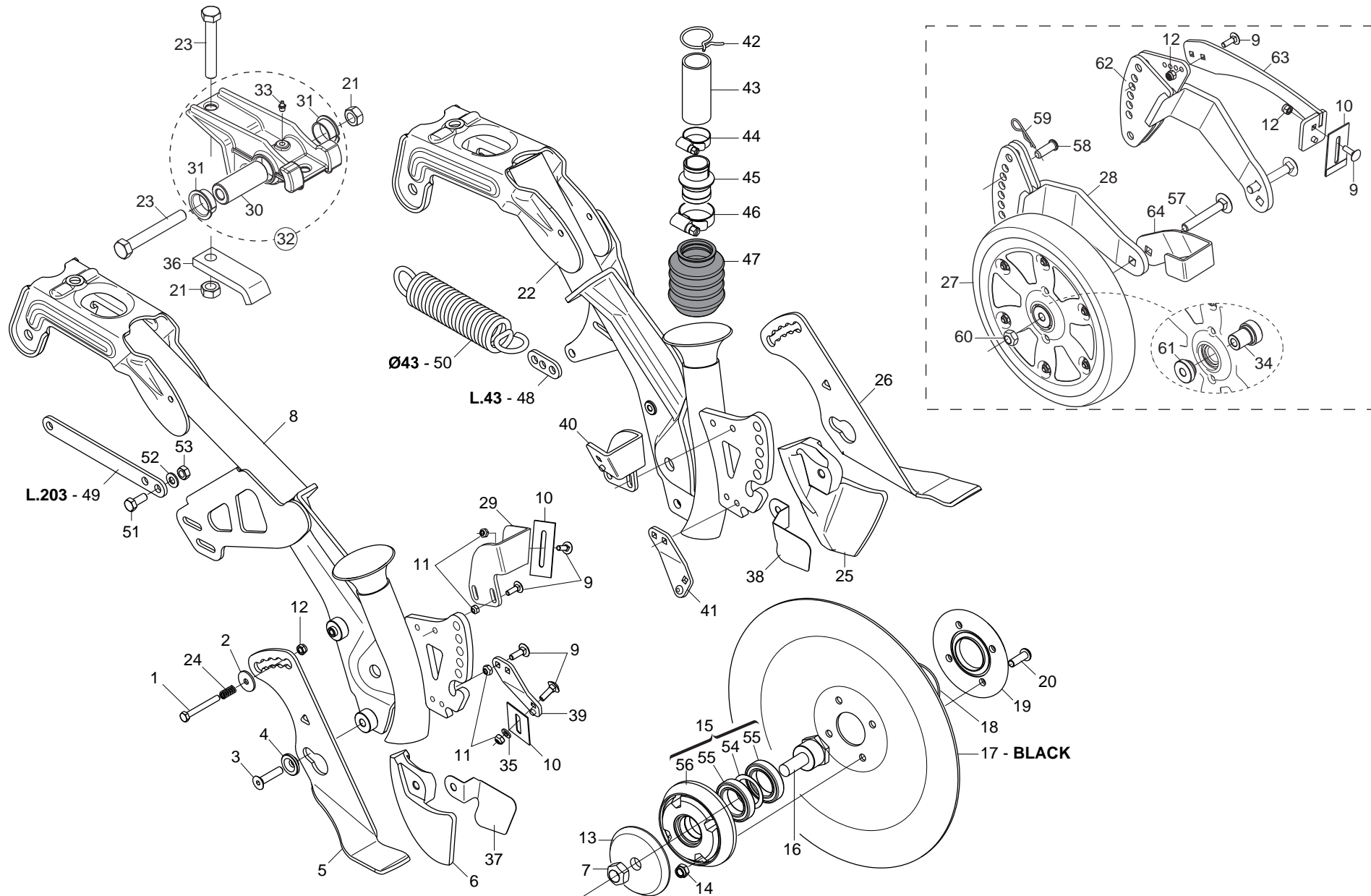


ASSOLCATORI A STIVALETTO

TAV. 210

Pos.	Cod.	Descrizione	Description	Description	Benennung	Descripcion
1	G16043390	SUPPORTO LATERALE DX	RIGHT LATERAL SUPPORT			
2	G16248351	MONT.SUPPORTO ASSOLCATORE	FURROW SUPPORT COMPL.			
3	F01100011	ING.M 6X1 7663-A 9SMNPB28 ZN	GREASE NIPPLE M6X1 7663-A ZN	GRAISS. A BILLE M6X1 7663A ZN	SCHMIERBUECHE M6X1 7663-A ZN	ENGRAS. DE ESFERAS M6X1 7663-A
4	G16340810	SCONTRIO FISSAGGIO	FIXING STRIKER PLATE	BUTEE DE FIXATION	BEFESTIGUNGSANSCHLAG	ELEM. DE EMPALME DE SUJECION
5	F01220048	DADO M12X1,75 D980 8ZN	NUT M12X1,75 D980 8ZN	ECROU M12X1,75 D980 8 ZN	SCHEIBE M12X1,75 D980 8 ZN	TUERCA M12X1,75 D980 8 ZN
6	F01020168	VITE M12X1,75X90 U5737 8.8ZN	SCR. M12X1,75X90 U5737 8.8ZN	VIS M12X1,75X90 U5737 8.8 ZN	SCHRAB.M12X1,75X90 5737 8.8 ZN	TORNIL.M12X1,75X90 5737 8.8 ZN
7	F04150034	CUSCINETTO FLANGIATO 25X28X16	BEARING FLANGED 25X28X16			
8	G18802740	BOCCOLA 12X25X63,5	BUSHING 25X12X63,5	BOITE 25X12X63,5	BUCHSE 25X12X63,5	CASQUILLO 25X12X63,5
9	G65336001	MOLLA SPEC.ZN STRING.CONC. SP	SPEC SPRING ZN MAN. PIPE CLAMP	RESSORT SPEC. ZN SERRE-TUBE LO	SPEZIALFEDER ZN DsNGERSCHELLE.	MUELLE ESPEC. ZN APLASTA ABONO
10	G19005340	MANICOTTO DI GIUNZIONE	JOINT SLEEVE	MANCHON DE RACCORD	VERBINDUNGSMUFFE	MANGUITO DE UNIN
11	G16244041	TUBO LUNGO BASSO	LONG LOW PIPE			
12	G16042171	TUBO CORTO BASSO	SHORT LOW TUBE			
13	G16042680	TIRANTE L.303	TIE ROD L.303			
14	G16042500	TIRANTE L.103	TIE-ROD L.103			
15	G16042510	TIRANTE L.263	TIE-ROD L.263			
16	G18904360	MOLLA TENSIONAM.ELEM.LUNGO	SPRING	RESSORT	FEDER	MUELLE
17	G18904350	MOLLA TENSIONAM.ELEM.CORTO ZN	DRILL COULTER TENS. SPRING	RESSORT TENDEUR SOC	EDER SZSCHARSPANNUNG	UELLE TENSIN SURCADOR
18	F01020436	VITE M8X1,25X20 U5739 8.8ZN	SCR. M8X1,25X20 U5739 8.8ZN	VIS M8X1,25X 20 U5739 8.8 ZN	SCHRAUBE M8X1,25X20U5739 8.8ZN	TORN. M8X1,25X20 U5739 8.8 ZN
19	F01410051	ROS.M8 8,4X 17X1,6 U6592 ZN	WASHER M8 8,4X17X1,6 U6592 ZN	RONDELLE M8 8,4X17X1,6 U6592ZN	SCHEIBE M8 8,4X17X1,6 U6592 ZN	ARANDELA M8 8,4X17X1,6 U6592ZN
20	F01220022	DADO M8X1,25 D980 8ZN	NUT M8X1,25 D980 8ZN	ECROU M8X 1,25 D980 8 ZN	MUTTER M8X 1,25 D980 8 ZN	TUERCA M8X 1,25 D980 8 ZN
21	G19003270	CUFFIA TUBO SCARPETTA	SLIDE PIPE HOUSING	BOUCHON TUBE SABOT	KASTEN ROHR SCHUH	ENVOLTURA TUBO GUA APOYO G
22	G16243990	SCARPETTA INTERCAMBIABILE	INTERCHANGE CUTTER	HACHOIR	SAASCHAR	HOJA DE CORTE
23	F01040600	VITE M10X1,5X30 U9327 8.8ZN	SCR. M10X1,5X30 U9327 8.8ZN	VIS M10X 30 U9327 8.8 ZN	SCHRAUBE M10X 30 U9327 8.8 ZN	TORNILLO M10X 30 U9327 8.8 ZN
24	F01220011	DADO M6X1 D980 8ZN	NUT M6X1 D980 8ZN	ECROU M6X1 D980 8 ZN	MUTTER M6X1 D980 8 ZN	TUERCA M6X1 D980 8 ZN
25	G07002218	ANTI INTASAMENTO M	ANTI CLOGGING M	ANTI BOURRAGE SOC	VERSTOPFUNGSHEMMENDES ELEMENT	ANTI OBSTRUCCIN M A
26	F01020039	VITE M6X1X35 U5737 8.8ZN	SCR. M6X1X35 U5737 8.8ZN	VIS 6 X35 5737 8.G ZN	SCHRAUBE 6 X35 5737 8.G ZN	TORNILLO 6 X35 5737 8.G ZN
27	F01270010	DADO M10X1,517X8 D557 ZN	NUT M10X1,517X8 D557 ZN	ECROU M10 17X8 D557 Z	MUTTER M10 17X8 D557	TUERCA M10 17X8 D557
28	G16243760	FALCIONE SCARPETTA FS1	CUTTER	COUPEUR FS1	SAASCHAR	HOJA DE CORTE
29	G16043230	TIRANTE L.410 ZN	TIE ROD L.410			
30	G16043240	TIRANTE L.560 ZN	TIE ROD L.560			
31	F01230048	DADO M10X1,5 D982 8ZN	NUT M10X1,5 D982 8ZN	ECR.AUTO-FREIN.M10X1,5 D982 ZN	SICHERUNGSMUTT.M10X1,5 D982 ZN	TUERCA SEGURID.M10X1,5 D982 ZN
32	G16043151	SUPPORTO 3 RANGHI	THREE LINE SUPPORT SET			
33	F20110715	CAV.Q.B=50 M=10X1,5 L=80	UBOLTSTRIKER Q.B=50M10X1,5L=80	BUTEE M10X 1,5X 30 61X 80 ZB	ANSCHLAG M10X 1,5X 30 61X 80	EL. DE EMPALME M10X 1,5X 30
34	G16243770	SCARPA SEMINA A FASCIA	BANDS CUTTER	HACHOIR BANDES	SZSCHAR BANDEL	GUA#ADORA FAJA
35	F01020445	VITE M8X1,25X30 U5739 8.8ZN	SCR. M8X1,25X30 U5739 8.8ZN	VIS M8X30	SCHRAUBE M 8X30	TORNILLO M 8X30
36	F01420048	ROS.M8 8,4X 24X 2 U6593 ZN	WASHER M8 8,4X 24X2 U6593 ZN	RONDELLE M8 8,4X24X 2 U6593 ZN	SCHEIBEN M8 8,4X24X 2 U6593 ZN	ARANDELA M8 8,4X 24X2 U6593 ZN
37	G16249010	SUPPORTO SX PATTINO LIMITATORE	LEFT SUPPORT LIMITER SLIDING			
38	G16248980	ASS.PATTINO LIMITATORE	LIMITER SLIDING			
39	G16249000	SUPPORTO DX PATTINO LIMITATORE	RIGT SUPP.LIMITER SLIDING			
40	G16341340	TIRANTE ELEM.EST.DX	OUTER RIGHT ELEMENT TIE ROD			

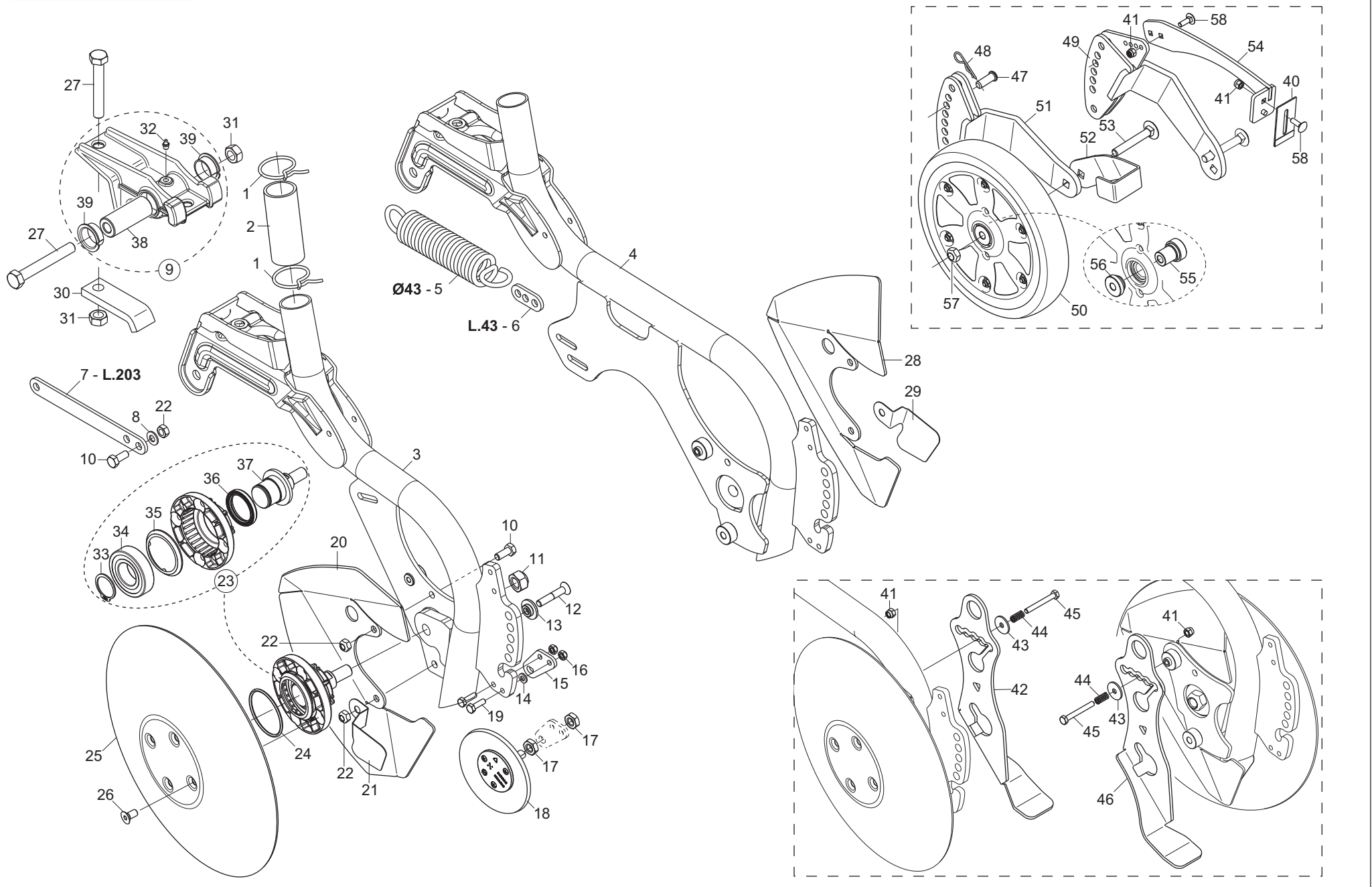
TAV. 220



ASSOLCATORI A DISCO SEMPLICE

TAV. 220

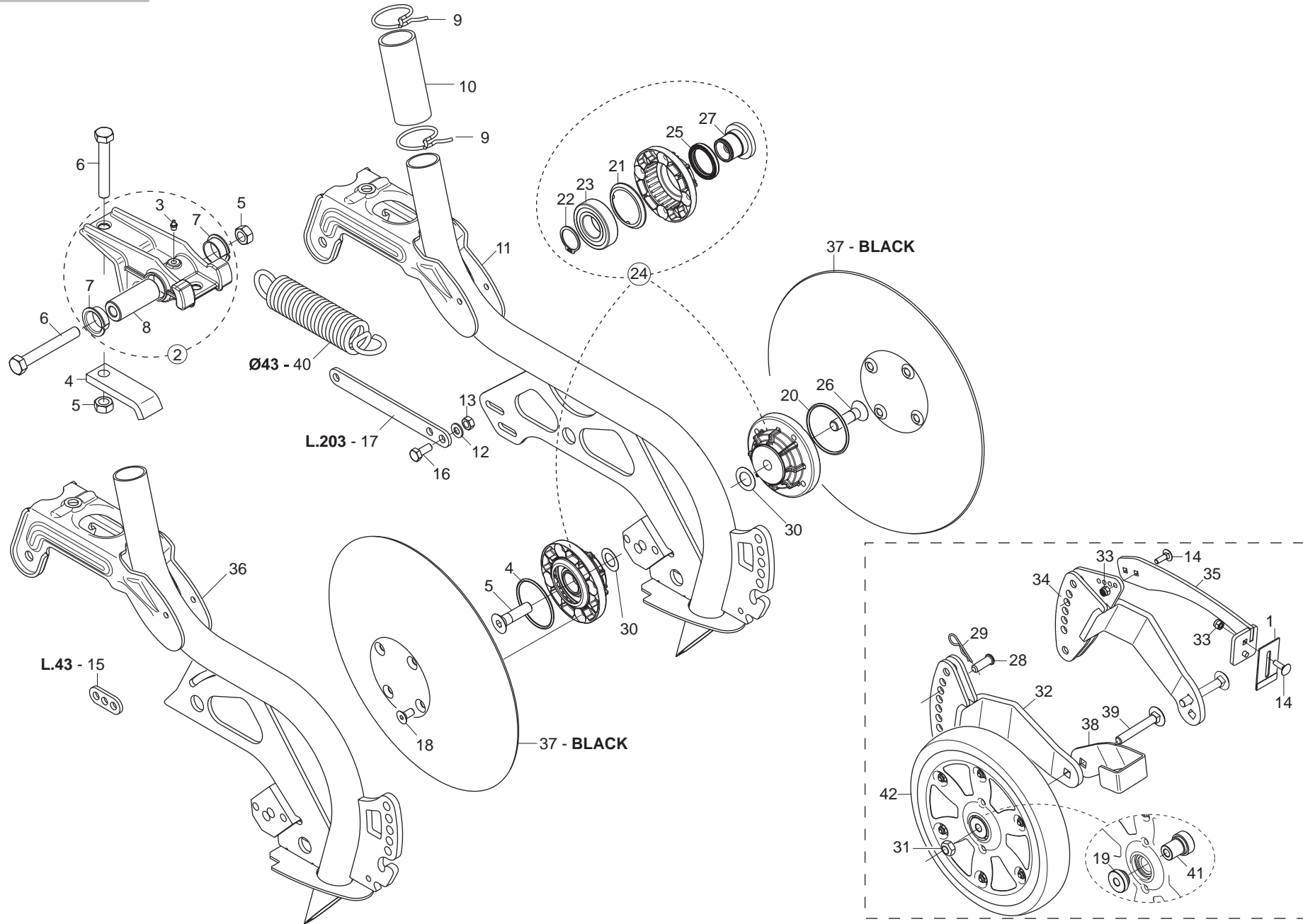
Pos.	Cod.	Descrizione	Description	Description	Benennung	Descripcion
1	F01020042	VITE M6X1X50 U5737 8.8ZN	SCR. M6X1X50 U5737 8.8ZN	VIS 6 X50 5737 8.G ZN	SCHRAUBE 6 X50 5737 8.G ZN	TORNILLO 6x50 5737 8.G ZN
2	F01420037	ROS.M6 6,4X 24X 2 U6593 ZN	WASHER M6 6,4X24X2 U6593 ZN			
3	F01030060	VITE M8X1,25X35 U5933 10.9ZD	SCR. M8X1,25X35 U5933 10.9ZD	VIS 8X35 5933 8.8 ZN	SCHRAUBE 8X35 5933 8.8 ZN	TORNILLO 8X35 5933 8.8 ZN
4	G15821110	BOCCOLA SUPPORTO COPRISEME	SEED COVER SUPP. BUSHING	BOITE SUPPORT COUVRE-SEMENCE	BsCHSE SAMENABDECKERHALTER.	CASQUILLO SOPORTE CUBRESEMILLA
5	G16248622	LIMITATORE DI PROFONDITA SX	LEFT DEPTH LIMITER			
6	G19203970	FALCIONE DS SX	LEFT CUTTER			
7	F01220255	DADO M14X2 D980 8ZN	NUT M14X2 D980 8ZN	ECROU TRISTOP M14X2 D980 8 ZN	MUTTER TRISTOP M14X2 D980 8 ZN	TUERCA TRISTOP M14X2 D980 8 ZN
8	G16248632	ELEMENTO DS LUNGO	ELEMENT LONG SIMPLE DISC			
9	F01060013	VITE M6X1X20 U5732 4.6ZN	SCR. M6X1X20 U5732 4.6ZN	VIS 6X20 5732 4.6 ZN	SCHRAUBE 6X20 5732 4.6 ZN	TORNILLO 6X20 5732 4.6 ZN
10	G16043880	RASCHIATERRA DS CON RIPORTO ZN	SOILSCRAPER DS ZN			
11	F01220011	DADO M6X1 D980 8ZN	NUT M6X1 D980 8ZN	ECROU M6X1 D980 8 ZN	MUTTER M6X1 D980 8 ZN	TUERCA M6X1 D980 8 ZN
12	F01230022	DADO M6X1 D982 8ZN	NUT M6X1 D982 8ZN	ECROU AUTO-FREIN.M6X1 D982 8ZN	SICHERUNGSMUT. M6X1 D982 8 ZN	TUERCA DE SEGU.M6X1 D982 8 ZN
13	G16040863	PARAPOLVERE DI BLOCCAGGIO ZAMA	ZAMA LOCK DUST SEAL	PARE-POUSSI+RE DE BLOCAGE ZAMA	FESTSTELL-STAUBABDECKUNG ZAMA	GUARDAPOLVO DE BLOQUEO ZAMAK
14	F01230034	DADO M8X1,25 D982 8	NUT M8X1,25 D982 8	ECROU M8X 1,25 D982 8 ZN	MUTTER M8X 1,25 D982 8 ZN	TUERCA M8X 1,25 D982 8 ZN
15	G16040921	FLANGIA CON CUSCINETTI	FLANGE w/ BEARING	BRIDE AVEC ROULEMENTS	FLANSCH MIT LAGERN	BRIDA CON COJINETES
16	G16040820	ASSE DISCO	DISK SPINDLE	AXE DISQUE	SCHIEBENACHSE	EJE DISCO
17	G16043890	DISCO ASSOLCATORE D.328 SP.2,5	DISC OPENER D.328 SP.2,5			
18	F03010576	ANELLO OR 50,52X1,78 NBR	GASKET OR 50,52X1,78 NBR	BAGUE OR 50,52X1,78 NBR	RING OR 50,52X1,78 NBR	ANILLO OR 50,52X1,78 NBR
19	G19003411	DISCO ESTERNO	OUTER DISK	DISQUE EXTERNE	AUSSENSCHEIBE	DISCO ESTERNO
20	F01040501	VITE M8X1,25X25 D7984 8.8ZN	SCR. M8X1,25X25 U7984 8.8ZN	VIS 8X25 DIN 7984 ZN	SCHRAUBE 8X25 DIN 7984 ZN	TORNILLO 8X25 DIN 7984 ZN
21	F01220048	DADO M12X1,75 D980 8ZN	NUT M12X1,75 D980 8ZN	ECROU M12X1,75 D980 8 ZN	SCHIEBE M12X1,75 D980 8 ZN	TUERCA M12X1,75 D980 8 ZN
22	G16248682	ELEMENTO DS CORTO	ELEMENT DS SHORT			
23	F01020168	VITE M12X1,75X90 U5737 8.8ZN	SCR. M12X1,75X90 U5737 8.8ZN	VIS M12X1,75X90 U5737 8.8 ZN	SCHRAUB.M12X1,75X90 5737 8.8 ZN	TORNIL.M12X1,75X90 5737 8.8 ZN
24	G18904240	MOLLA APERTURA PORTA CONTROLLO	SPRING	RESSORT	FEDER	MUELLE
25	G19203980	FALCIONE DS DX	RIGHT CUTTER			
26	G16248782	LIMITATORE DI PROFONDITA DX	RIGHT DEPTH LIMITER			
27	F06120409	RUOTA GOMMA 250X42L PLA.2CUS.>	RUBBER WHEEL 250X42L PLA.2BEAR			
28	G16043460	ASS. SUPP.RUOTINO	ASSY WHEEL SUPPORT			
29	G16249070	RASCHIATERRA CORTO INT. ZN	INT.AL SHORT SOILSCRAPER ZN			
30	G18802740	BOCCOLA 12X25X63,5	BUSHING 25X12X63,5	BOITE 25X12X63,5	BUCHSE 25X12X63,5	CASQUILLO 25X12X63,5
31	F04150034	CUSCINETTO FLANGIATO 25X28X16	BEARING FLANGED 25X28X16			
32	G16248351	MONT.SUPPORTO ASSOLCATORE	FURROW SUPPORT COMPL.			
33	F01100011	ING.M 6X1 7663-A 9SMNPB28 ZN	GREASE NIPPLE M6X1 7663-A ZN	GRAISS. A BILLE M6X1 7663A ZN	SCHMIERBUECHE M6X1 7663-A ZN	ENGRAS. DE ESFERAS M6X1 7663-A
34	G16043820	BOCCOLA D10XD29-35 ZN	BUSHING D10XD29-35 ZN			
35	F01410037	ROS.M6 6,4X12,5X1,6 U6592 ZN	WASHER M6 6,4X12,5X1,6 U6592ZN	RONDEL.M6 6,4X12,5X1,6 U6592ZN	SCHIEB.M6 6,4X12,5X1,6 U6592ZN	ARAND.M6 6,4X12,5X1,6 U6592 ZN
36	G16340810	SCONTRO FISSAGGIO	FIXING STRIKER PLATE	BUTEE DE FIXATION	BEFESTIGUNGSANSCHLAG	ELEM. DE EMPALME DE SUJECION
37	G16249040	SUPPORTO LAMELLA DS DX IX	BLADE SUPPORT DS DX IX			
38	G16249050	SUPPORTO LAMELLA DS SX IX	BLADE SUPPORT DS SX IX			
39	G16249130	SUPPORTO INF.RASCHIAT.DX ZN	R.LOW SOILSCRAPER SUPPORT ZN			
40	G16249100	RASCHIATERRA CORTO EST. ZN	EXT.AL SHORT SOILSCRAPER ZN			
41	G16249140	SUPPORTO INF.RASCHIAT.SX ZN	LOW.MUDSCRAPER SUPP.LEFT			
42	G65336001	MOLLA SPEC.ZN STRING.CONC. SP	SPEC SPRING ZN MAN. PIPE CLAMP	RESSORT SPEC. ZN SERRE-TUBE LO	SPEZIALFEDER ZN DsNGERSCHELLE.	MUELLE ESPEC. ZN APLASTA ABONO
43	G19005340	MANICOTTO DI GIUNZIONE	JOINT SLEEVE	MANCHON DE RACCORD	VERBINDUNGSMUFFE	MANGUITO DE UNIN
44	F02300020	FASCETTA STRING. 32/50 H.9	HOSE CLAMP 32/50 H.9			
45	G19004320	MANICOTTO DI UNIONE	COUPLING SLEEVE			
46	F02300021	FASCETTA STRING. 40/60 H.8	STRING FASTEN.STRAP 40/60 H.8	COLLIER DE SERRAGE 40/60 H.8	SCHELLE 40/60 H.8	ABRAZADERA 40/60 H.8
47	G07000126	CUFFIA ATTACCO SCARPETTA	SLIDE LINKAGE HOUSING	PROTECTEUR FIXATION SABOT	FALTENBALG	ENVOLTURA CONEXIN GUA APOYO GL
48	G16340860	PIATTO TIRO MOLLA CORTO	PLATE SPRING TIGHTENER			
49	G16340840	PIATTO TIRO MOLLA INTERMEDIO	PLATE INTERM.			
50	G18904360	MOLLA TENSIONAM.ELEM.LUNGO	SPRING	RESSORT	FEDER	MUELLE
51	F01020436	VITE M8X1,25X20 U5739 8.8ZN	SCR. M8X1,25X20 U5739 8.8ZN	VIS M8X1,25X 20 U5739 8.8 ZN	SCHRAUBE M8X1,25X20U5739 8.8ZN	TORN. M8X1,25X20 U5739 8.8 ZN
52	F01410051	ROS.M8 8,4X 17X1,6 U6592 ZN	WASHER M8 8,4X17X1,6 U6592 ZN	RONDELLE M8 8,4X17X1,6 U6592ZN	SCHIEBE M8 8,4X17X1,6 U6592 ZN	ARANDELA M8 8,4X17X1,6 U6592ZN
53	F01220022	DADO M8X1,25 D980 8ZN	NUT M8X1,25 D980 8ZN	ECROU M8X 1,25 D980 8 ZN	MUTTER M8X 1,25 D980 8 ZN	TUERCA M8X 1,25 D980 8 ZN
54	F01440081	ROS. 37X47X0,1 D988 ST2K60 BR	RAISING WASHER 37X47X0,1	RONDELLE D'EPaisseur 37X47X0,1	AUSGLEICHSSCHIEBE 37X47X0,1	ARANDELA DE APOYO 37X47X0,1
55	F04010309	CUSC. D30 D47 B9 61906 LLU	BEARING D30 D47 B9 61906 2RS	PALIER 61906-2RS	LAGER 61906-2RS	COJINETE 61906-2RS
56	G19003422	FLANGIA PORTA CUSCINETTI	BEARING-HOLDER FLANGE	BRIDE PORTE-ROULEMENTS	LAGERTR-GERFLANSCH	BRIDA PORTACOJINETES
57	F01060086	VITE M10X1,5X70 U5732 4.6ZN	SCR. M10X1,5X70 U5732 4.6ZN	VIS 10X70 5732 4.6 ZN	SCHRAUBE 10X70 5732 4.6 ZN	TORNILLO 10X70 5732 4.6 ZN
58	F02100336	PERNO D.10 UNI 1710 ZN	PIN D.10 UNI 1710	PIVOT D.10 UNI 1710	BOLZEN D.10 UNI 1710	PERNO D.10 UNI 1710
59	F02200342	COPIGLIA R 2X 50 ZN	SPRING SPLIT PIN 2X50 ZN	GOUPILE R 2X50 ZN	SPLIT R 2X50 ZN	CHAVETA R 2X50 ZN
60	F01220033	DADO M10X1,5 D980 8ZN	NUT M10X1,5 D980 8ZN	ECROU M10X 1,5 D980 8 ZN	MUTTER M10X 1,5 D980 8 ZN	TUERCA M10X 1,5 D980 8 ZN
61	G16043830	BOCCOLA D10XD29-13 ZN	BUSHING D10XD29-13 ZN			
62	G16043461	SUPPORTO RUOTINO	WHEEL SUPPORT			
63	G16045500	SUPPORTO RASCHIA RUOTINO250X42	SOIL SCRAPER SUPPORT			
64	G16043490	RASCHIATERRA	SOILSCRAPER			



ASSOLCATORI A DISCO SEMPLICE

TAV. 230

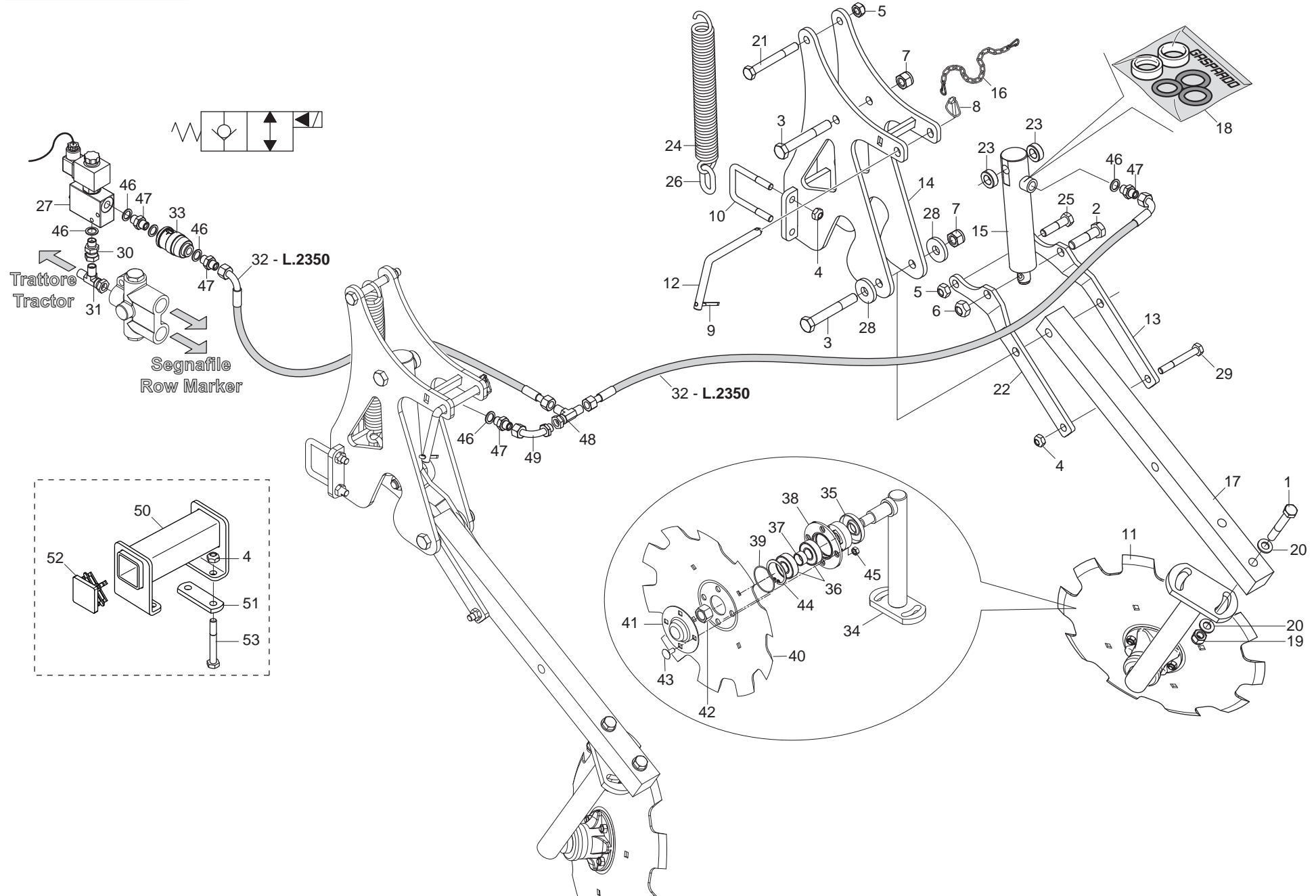
Pos.	Cod.	Descrizione	Description	Description	Benennung	Descripcion
1	G65336001	MOLLA SPEC.ZN STRING.CONC. SP	SPEC SPRING ZN MAN. PIPE CLAMP	RESSORT SPEC. ZN SERRE-TUBE LO	SPEZIALFEDER ZN DsNGERSCHELLE.	MUELLE ESPEC. ZN APLASTA ABONO
2	G19005340	MANICOTTO DI GIUNZIONE	JOINT SLEEVE	MANCHON DE RACCORD	VERBINDUNGSMUFFE	MANGUITO DE UNIN
3	G16044850	TUBO CORTO DISCO SEMPLICE	SHORT PIPE SIMPLE DISK			
4	G16044800	TUBO LUNGO DISCO SEMPLICE	LONG PIPE SIMPLE DISK			
5	G18904360	MOLLA TENSIONAM.ELEM.LUNGO	SPRING	RESSORT	FEDER	MUELLE
6	G16340860	PIATTO TIRO MOLLA CORTO	PLATE SPRING TIGHTENER			
7	G16340840	PIATTO TIRO MOLLA INTERMEDIO	PLATE INTERM.			
8	F01410051	ROS.M8 8,4X 17X1,6 U6592 ZN	WASHER M8 8,4X17X1,6 U6592 ZN	RONDELLE M8 8,4X17X1,6 U6592ZN	SCHEIBE M8 8,4X17X1,6 U6592 ZN	ARANDELA M8 8,4X17X1,6 U6592ZN
9	G16248351	MONT.SUPPORTO ASSOLCATORE	FURROW SUPPORT COMPL.			
10	F01020436	VITE M8X1,25X20 U5739 8.8ZN	SCR. M8X1,25X20 U5739 8.8ZN	VIS M8X1,25X 20 U5739 8.8 ZN	SCHRAUBE M8X1,25X20U5739 8.8ZN	TORN. M8X1,25X20 U5739 8.8 ZN
11	F01220255	DADO M14X2 D980 8ZN	NUT M14X2 D980 8ZN	ECROU TRISTOP M14X2 D980 8 ZN	MUTTER TRISTOP M14X2 D980 8 ZN	TUERCA TRISTOP M14X2 D980 8 ZN
12	F01030061	VITE M8X1,25X45 U5933 10.9ZD	SCR. M8X1,25X45 U5933 10.9ZD	VIS 8X45 5933 8.8 ZN	SCHRAUBE 8X45 5933 8.8 ZN	TORNILLO 8X45 5933 8.8 ZN
13	G15821110	BOCCOLA SUPPORTO COPRISEME	SEED COVER SUPP. BUSHING	BOITE SUPPORT COUVRE-SEMENCE	BsCHSE SAMENABDECKERHALTER.	CASQUILLO SOPORTE CUBRESEMILLA
14	F01410037	ROS.M6 6,4X12,5X1,6 U6592 ZN	WASHER M6 6,4X12,5X1,6 U6592ZN	RONDEL.M6 6,4X12,5X1,6 U6592ZN	SCHEIB.M6 6,4X12,5X1,6 U6592ZN	ARAND.M6 6,4X12,5X1,6 U6592 ZN
15	G16044540	SUPP.RASCHIETTO ROTATIVO ZN	SCRAPER SUPPORT			
16	F01220011	DADO M6X1 D980 8ZN	NUT M6X1 D980 8ZN	ECROU M6X1 D980 8 ZN	MUTTER M6X1 D980 8 ZN	TUERCA M6X1 D980 8 ZN
17	F01200416	DADO M10X1,5 U5589 6SZN	NUT M10X1,5 U5589 6SZN	ECROU 10 UNI 5589 6.8 ZN	MUTTER 10 UNI 5589 6.8 ZN	TUERCA 10 UNI 5589 6.8 ZN
18	G16044280	RASCHIETTO ROTATIVO COMPL	SCRAPER			
19	F01020404	VITE M6X1X20 U5739 8.8ZN	SCR. M6X1X20 U5739 8.8ZN			
20	G16045450	GUSCIO DISCO VORTEX ELEM.CORTO	DISC SHELL SHORT ELEMENT			
21	G16249050	SUPPORTO LAMELLA DS SX IX	BLADE SUPPORT DS SX IX			
22	F01220022	DADO M8X1,25 D980 8ZN	NUT M8X1,25 D980 8ZN	ECROU M8X 1,25 D980 8 ZN	MUTTER M8X 1,25 D980 8 ZN	TUERCA M8X 1,25 D980 8 ZN
23	G16044570	MOZZO DISCO COMPL	DISK HUB			
24	F03011144	GUARNIZIONE OR 3 X 56	SEAL 3 X 56			
25	G16044560	DISCO ASSOLCAT.VX D.320	DISK OPENER VX D.320			
26	F01030054	VITE M8X1,25X16 U5933 10.9ZD	SCR. M8X1,25X16 U5933 10.9ZD	VIS 8X16 UNI 5933 10.9 ZN	SCHRAUBE 8X16 UNI 5933 10.9 ZN	TORNILLO 8X16 UNI 5933 10.9 ZN
27	F01020168	VITE M12X1,75X90 U5737 8.8ZN	SCR. M12X1,75X90 U5737 8.8ZN	VIS M12X1,75X90 U5737 8.8 ZN	SCHHRAB.M12X1,75X90 5737 8.8 ZN	TORNIL.M12X1,75X90 5737 8.8 ZN
28	G16045440	GUSCIO DISCO VORTEX ELEM.LUNGO	DISC SHELL LONG ELEMENT			
29	G16249040	SUPPORTO LAMELLA DS DX IX	BLADE SUPPORT DS DX IX			
30	G16340810	SCONTRO FISSAGGIO	FIXING STRIKER PLATE	BUTEE DE FIXATION	BEFESTIGUNGSANSCHLAG	ELEM. DE EMPALME DE SUJECION
31	F01220048	DADO M12X1,75 D980 8ZN	NUT M12X1,75 D980 8ZN	ECROU M12X1,75 D980 8 ZN	SCHEIBE M12X1,75 D980 8 ZN	TUERCA M12X1,75 D980 8 ZN
32	F01100011	ING.M 6X1 7663-A 9SMNPB28 ZN	GREASE NIPPLE M6X1 7663-A ZN	GRAISS. A BILLE M6X1 7663A ZN	SCHMIERBUECHE M6X1 7663-A ZN	ENGRAS. DE ESFERAS M6X1 7663-A
33	F02050112	ANELLO E. DE 30X 1,5 U7435 C70	SEEGER RING 30X 1,5 U7435 C70	SEEGER E. 30 X 1,5 U7435 C70	SEEGERING E. 30X 1,5 U7435 C70	ANILLO E. 30 X 1,5 U7435 C70
34	F04010174	CUSCINETTO 6206 2RS	BEARING D30 D62 B16 6206 2RS	PALIER 6206 2RS	LAGER 6206 2RS	COJINETE 6206 2RS
35	G16244181	ANELLO DI SOSTEGNO ZAMA	RING	BAGUE	RING	ANILLO
36	F03010074	ANELLO T.A. 32X 47X 7 D3760NBR	RING T.A. 32X 47X 7 D3760NBR	BAGUE 32X 47X 7 D3760NBR	SCHUTZRING 32X 47X 7 D3760NBR	ANILLO T.A. 32X 47X 7 D3760NBR
37	G16044580	ASSE DISCO ZN	DISC SPINDLE			
38	G18802740	BOCCOLA 12X25X63,5	BUSHING 25X12X63,5	BOITE 25X12X63,5	BUCHSE 25X12X63,5	CASQUILLO 25X12X63,5
39	F04150034	CUSCINETTO FLANGIATO 25X28X16	BEARING FLANGED 25X28X16			
40	G16043880	RASCHIATERRA DS CON RIPORTO ZN	SOILSCRAPER DS ZN			
41	F01230022	DADO M6X1 D982 8ZN	NUT M6X1 D982 8ZN	ECROU AUTO-FREIN.M6X1 D982 8ZN	SICHERUNGSMUT. M6X1 D982 8 ZN	TUERCA DE SEGU.M6X1 D982 8 ZN
42	G16043852	LIMITATORE DI PROF.DX	RIGHT DEPTH CONTROLLER			
43	F01420037	ROS.M6 6,4X 24X 2 U6593 ZN	WASHER M6 6,4X24X2 U6593 ZN			
44	G18904240	MOLLA APERTURA PORTA CONTROLLO	SPRING	RESSORT	FEDER	MUELLE
45	F01020042	VITE M6X1X50 U5737 8.8ZN	SCR. M6X1X50 U5737 8.8ZN	VIS 6 X50 5737 8.G ZN	SCHRAUBE 6 X50 5737 8.G ZN	TORNILLO 6x50 5737 8.G ZN
46	G16043842	LIMITATORE DI PROF.SX	LEFT DEPTH CONTROLLER			
47	F02100336	PERNO D.10 UNI 1710 ZN	PIN D.10 UNI 1710	PIVOT D.10 UNI 1710	BOLZEN D.10 UNI 1710	PERNO D.10 UNI 1710
48	F02200342	COPIGLIA R 2X 50 ZN	SPRING SPLIT PIN 2X50 ZN	GOUPILLE R 2X50 ZN	SPLINT R 2X50 ZN	CHAVETA R 2X50 ZN
49	G16043461	SUPPORTO RUOTINO	WHEEL SUPPORT			
50	F06120409	RUOTA GOMMA 250X42L PLA.2CUS.>	RUBBER WHEEL 250X42L PLA.2BEAR			
51	G16043460	ASS.SUPP.RUOTINO	ASSY WHEEL SUPPORT			
52	G16043490	RASCHIATERRA	SOILSCRAPER			
53	F01060086	VITE M10X1,5X70 U5732 4.6ZN	SCR. M10X1,5X70 U5732 4.6ZN	VIS 10X70 5732 4.6 ZN	SCHRAUBE 10X70 5732 4.6 ZN	TORNILLO 10X70 5732 4.6 ZN
54	G16045500	SUPPORTO RASCHIA RUOTINO250X42	SOIL SCRAPER SUPPORT			
55	G16043820	BOCCOLA D10XD29-35 ZN	BUSHING D10XD29-35 ZN			
56	G16043830	BOCCOLA D10XD29-13 ZN	BUSHING D10XD29-13 ZN			
57	F01220033	DADO M10X1,5 D980 8ZN	NUT M10X1,5 D980 8ZN	ECROU M10X 1,5 D980 8 ZN	MUTTER M10X 1,5 D980 8 ZN	TUERCA M10X 1,5 D980 8 ZN
58	F01060013	VITE M6X1X20 U5732 4.6ZN	SCR. M6X1X20 U5732 4.6ZN	VIS 6X20 5732 4.6 ZN	SCHRAUBE 6X20 5732 4.6 ZN	TORNILLO 6X20 5732 4.6 ZN



ASSOLCATORI CON DISCO COREX

TAV. 240

Pos.	Cod.	Descrizione	Description	Description	Benennung	Descripcion
1	G16043880	RASCHIATERRA DS CON RIPOORTO ZN	SOILSCRAPER DS ZN			
2	G16248351	MONT.SUPPORTO ASSOLCATORE	FURROW SUPPORT COMPL.			
3	F01100011	ING.M 6X1 7663-A 9SMNPB28 ZN	GREASE NIPPLE M6X1 7663-A ZN	GRAISS. A BILLE M6X1 7663A ZN	SCHMIERBUECHE M6X1 7663-A ZN	ENGRAS. DE ESFERAS M6X1 7663-A
4	G16340810	SCONTRIO FISSAGGIO	FIXING STRIKER PLATE	BUTEE DE FIXATION	BEFESTIGUNGSANSCHLAG	ELEM. DE EMPALME DE SUJECION
5	F01220048	DADO M12X1,75 D980 8ZN	NUT M12X1,75 D980 8ZN	ECROU M12X1,75 D980 8 ZN	SCHIEBE M12X1,75 D980 8 ZN	TUERCA M12X1,75 D980 8 ZN
6	F01020168	VITE M12X1,75X90 U5737 8.8ZN	SCR. M12X1,75X90 U5737 8.8ZN	VIS M12X1,75X90 U5737 8.8 ZN	SCHRAB.M12X1,75X90 5737 8.8 ZN	TORNIL.M12X1,75X90 5737 8.8 ZN
7	F04150034	CUSCINETTO FLANGIATO 25X28X16	BEARING FLANGED 25X28X16			
8	G18802740	BOCCOLA 12X25X63,5	BUSHING 25X12X63,5	BOITE 25X12X63,5	BUCHSE 25X12X63,5	CASQUILLO 25X12X63,5
9	G65336001	MOLLA SPEC.ZN STRING.CONC. SP	SPEC SPRING ZN MAN. PIPE CLAMP	RESSORT SPEC. ZN SERRE-TUBE LO	SPEZIALFEDER ZN DsNGERSCHELLE.	MUELLE ESPEC. ZN APLASTA ABONO
10	G19005340	MANICOTTO DI GIUNZIONE	JOINT SLEEVE	MANCHON DE RACCORD	VERBINDUNGSMUFFE	MANGUITO DE UNIN
11	G16244112	ASS.TUBO DISCO COREX LUNGO P	LONG COREX TUBE P ASS.BLY			
12	F01410051	ROS.M8 8,4X 17X1,6 U6592 ZN	WASHER M8 8,4X17X1,6 U6592 ZN	RONDELLE M8 8,4X17X1,6 U6592ZN	SCHIEBE M8 8,4X17X1,6 U6592 ZN	ARANDELA M8 8,4X17X1,6 U6592ZN
13	F01220022	DADO M8X1,25 D980 8ZN	NUT M8X1,25 D980 8ZN	ECROU M8X 1,25 D980 8 ZN	MUTTER M8X 1,25 D980 8 ZN	TUERCA M8X 1,25 D980 8 ZN
14	F01060013	VITE M6X1X20 U5732 4.6ZN	SCR. M6X1X20 U5732 4.6ZN	VIS 6X20 5732 4.6 ZN	SCHRAUBE 6X20 5732 4.6 ZN	TORNILLO 6X20 5732 4.6 ZN
15	G16340860	PIATTO TIRO MOLLA CORTO	PLATE SPRING TIGHTENER			
16	F01020436	VITE M8X1,25X20 U5739 8.8ZN	SCR. M8X1,25X20 U5739 8.8ZN	VIS M8X1,25X 20 U5739 8.8 ZN	SCHRAUBE M8X1,25X20U5739 8.8ZN	TORN. M8X1,25X20 U5739 8.8 ZN
17	G16340840	PIATTO TIRO MOLLA INTERMEDIO	PLATE INTERM.			
18	F01030054	VITE M8X1,25X16 U5933 10.9ZD	SCR. M8X1,25X16 U5933 10.9ZD	VIS 8X16 UNI 5933 10.9 ZN	SCHRAUBE 8X16 UNI 5933 10.9 ZN	TORNILLO 8X16 UNI 5933 10.9 ZN
19	G16043830	BOCCOLA D10XD29-13 ZN	BUSHING D10XD29-13 ZN			
20	F03011144	GUARNIZIONE OR 3 X 56	SEAL 3 X 56			
21	G16244181	ANELLO DI SOSTEGNO ZAMA	RING	BAGUE	RING	ANILLO
22	F02050112	ANELLO E. DE 30X 1,5 U7435 C70	SEEGER RING 30X 1,5 U7435 C70	SEEGER E. 30 X 1,5 U7435 C70	SEEGERING E. 30X 1,5 U7435 C70	ANILLO E. 30 X 1,5 U7435 C70
23	F04010174	CUSCINETTO 6206 2RS	BEARING D30 D62 B16 6206 2RS	PALIER 6206 2RS	LAGER 6206 2RS	COJINETE 6206 2RS
24	G16248850	KIT MOZZO COREX	KIT HUB COREX			
25	F03010074	ANELLO T.A. 32X 47X 7 D3760NBR	RING T.A. 32X 47X 7 D3760NBR	BAGUE 32X 47X 7 D3760NBR	SCHUTZRING 32X 47X 7 D3760NBR	ANILLO T.A. 32X 47X 7 D3760NBR
26	F01030112	VITE M12X1,75X45 U5933 10.9ZD	SCR. M12X1,75X45 U5933 10.9ZD	VIS M12X1,75X45 U5933 10.9 ZD	SCHRAUBE M12X1,75X45 U5933 10.	TORNIL. M12X1,75X45 U5933 10.9
27	G16244050	ASSE COREX ZN	AXLE COREX ZN	AXE COREX ZN	ACHSE COREX ZN	EJE COREX ZN
28	F02100336	PERNO D.10 UNI 1710 ZN	PIN D.10 UNI 1710	PIVOT D.10 UNI 1710	BOLZEN D.10 UNI 1710	PERNO D.10 UNI 1710
29	F02200342	COPIGLIA R 2X 50 ZN	SPRING SPLIT PIN 2X50 ZN	GOUPILLE R 2X50 ZN	SPLINT R 2X50 ZN	CHAVETA R 2X50 ZN
30	G18700220	RONDELLA 16,5 X28 X0,3 ACC.	WASHER 16X 28X 0,3 STEEL			
31	F01220033	DADO M10X1,5 D980 8ZN	NUT M10X1,5 D980 8ZN	ECROU M10X 1,5 D980 8 ZN	MUTTER M10X 1,5 D980 8 ZN	TUERCA M10X 1,5 D980 8 ZN
32	G16043460	ASS.SUPP.RUOTINO	ASSY WHEEL SUPPORT			
33	F01230022	DADO M6X1 D982 8ZN	NUT M6X1 D982 8ZN	ECROU AUTO-FREIN.M6X1 D982 8ZN	SICHERUNGSMUT. M6X1 D982 8 ZN	TUERCA DE SEGU.M6X1 D982 8 ZN
34	G16043461	SUPPORTO RUOTINO	WHEEL SUPPORT			
35	G16045500	SUPPORTO RASCHIA RUOTINO250X42	SOIL SCRAPER SUPPORT			
36	G16042532	ASS.TUBO COREX CORTO P	SHORT COREX TUBE P ASS.BLY			
37	G16043090	DISCO COREX FE-B SP.2,5	DISC COREX FE-B SP.2,5			
38	G16043490	RASCHIATERRA	SOILSCRAPER			
39	F01060086	VITE M10X1,5X70 U5732 4.6ZN	SCR. M10X1,5X70 U5732 4.6ZN	VIS 10X70 5732 4.6 ZN	SCHRAUBE 10X70 5732 4.6 ZN	TORNILLO 10X70 5732 4.6 ZN
40	G18904360	MOLLA TENSIONAM.ELEM.LUNGO	SPRING	RESSORT	FEDER	MUELLE
41	G16043820	BOCCOLA D10XD29-35 ZN	BUSHING D10XD29-35 ZN			
42	F06120409	RUOTA GOMMA 250X42L PLA.2CUS.>	RUBBER WHEEL 250X42L PLA.2BEAR			

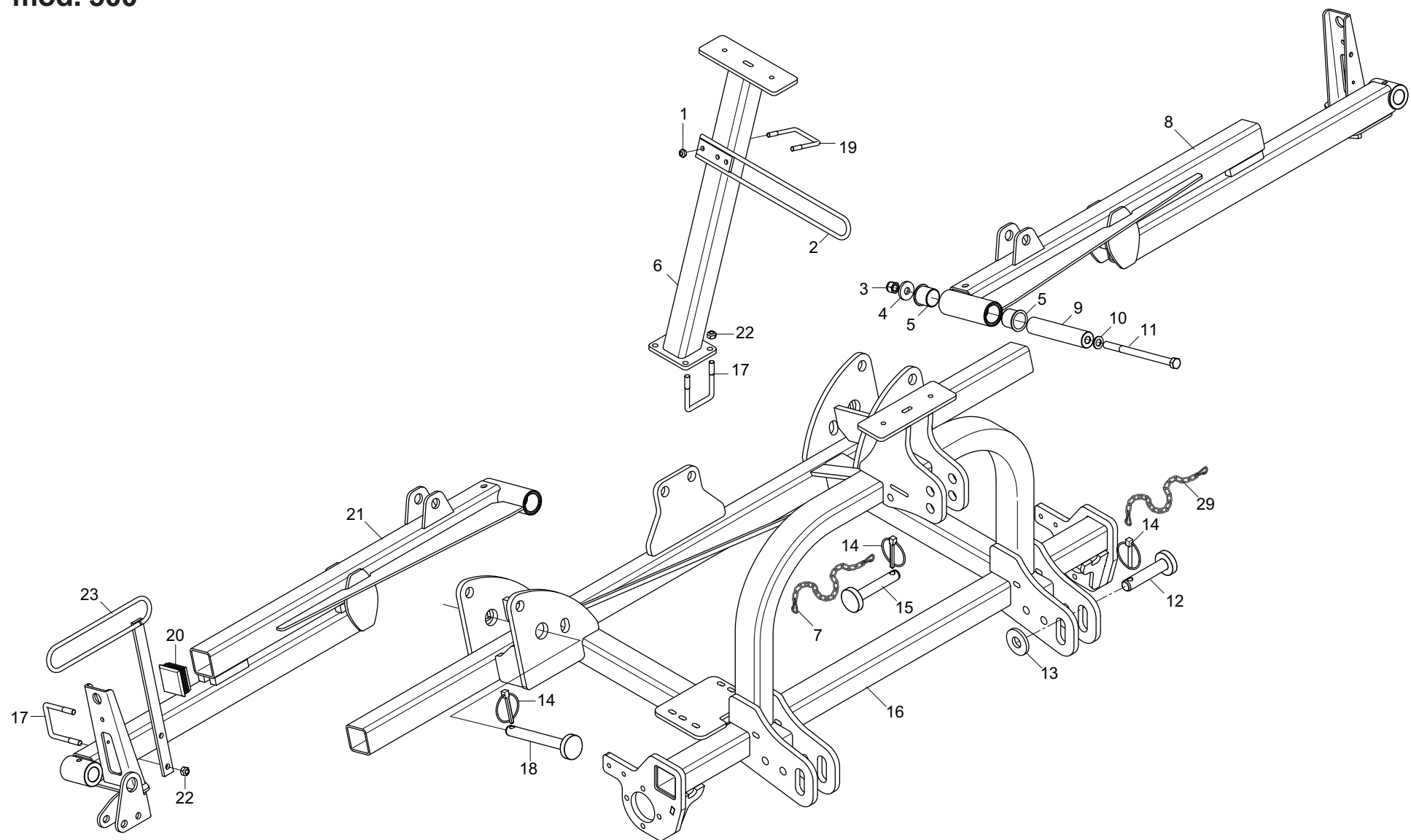


TRACCIASIENTIERI POSTERIORE

TAV. 250

Pos.	Cod.	Descrizione	Description	Description	Benennung	Descripcion
1	F01020166	VITE M12X1,75X80 U5737 8.8ZN	SCR. M12X1,75X80 U5737 8.8ZN			
2	F01020201	VITE M14X2X55 U5737 8.8ZN	SCR. M14X2X55 U5737 8.8ZN	VIS M14X55	SCHRAUBE M 14X55	TORNILLO M 14X55
3	F01020214	VITE M14X2X100 U5737 8.8ZN	SCREW M14X 2X100 U5737 8.8 ZN	VIS M14X 2X100 U5737 8.8 ZN	SCHRAU. M14X2X100 U5737 8.8 ZN	TORNIL. M14X2X100 U5737 8.8 ZN
4	F01220033	DADO M10X1,5 D980 8ZN	NUT M10X1,5 D980 8ZN	ECROU M10X 1,5 D980 8 ZN	MUTTER M10X 1,5 D980 8 ZN	TUERCA M10X 1,5 D980 8 ZN
5	F01220048	DADO M12X1,75 D980 8ZN	NUT M12X1,75 D980 8ZN	ECROU M12X1,75 D980 8 ZN	SCHEIBE M12X1,75 D980 8 ZN	TUERCA M12X1,75 D980 8 ZN
6	F01220255	DADO M14X2 D980 8ZN	NUT M14X2 D980 8ZN	ECROU TRISTOP M14X2 D980 8 ZN	MUTTER TRISTOP M14X2 D980 8 ZN	TUERCA TRISTOP M14X2 D980 8 ZN
7	F01230073	DADO M14X2 D982 8ZN	NUT M14X2 D982 8ZN	ECROU AUTOBL. M14X2 D982 8 ZN	SELBSTSP.MUTT. M14X2 D982 8 ZN	TUERCA AUTOBL. M14X2 D982 8 ZN
8	F02200452	SPINA SCATTO D.4,4 B/80 ZN	SNAP PIN D4.4 B/80 ZN	FICHE A DETENTE D4.4 B/80 ZN	EINRASTSTIFT D4.4 B/80 ZN	CLAVIJA DE MUELLE D4,4 B/80 ZN
9	F02200227	COPIGLIA 5X 30 U1336 ZN	PIN 5X 30 U1336 ZN			
10	F20110715	CAV.Q.B=50 M=10X1,5 L=80	UBOLTSTRIKER Q.B=50M10X1,5L=80	BUTE M10X 1,5X 30 61X 80 ZB	ANSCHLAG M10X 1,5X 30 61X 80	EL. DE EMPALME M10X 1,5X 30
11	G15317292	MONT.DISCO SEGNAFILE	COMPLETE ROW MARKER DISK	DISQUE TRACEUR COMPLET	REIHENANREISSERSCHEIBE KOMPLET	DISCO MARCADOR DE FILAS COMPL.
12	G14212010	CHIAVISTELLO PUNTELLO PIEGH.ZN	PROP LATCH ZN			
13	G17942550	LEVA SOLLEVAMENTO SX	LEFT LIFTING LEVER			
14	G17942520	SUPPORTO TRACCIASIENTIERI	TRAIL TRACER SUPPORT			
15	G16910360	CILINDRO SE 25X35-100	CYLINDER SE 25X35-100	CYLINDRE SE 25X35-100	ZYLINDER SE 25X35-100	CILINDRO SE 25X35-100
16	G13812311	CATENELLA CON MOSCHETTONE ZN	CHAIN WITH SPRING CATCH	CHAINETTE AVEC MOUSQUETON	KETTE MIT KARABINERHAKEN	CADENA CON GANCHO
17	G17942570	QUADRO 40 X590 4F14,5	SQUARE SHAFT 40 X590 4F14,5			
18	F03100200	KIT GUARNIZ.CILINDRO 16910360	CYLINDER GASKETS 16910360	JOINTS CYLINDRE 16910360	DICHTUNG ZYLINDER 16910360	PROTECCIONES CILINDRO 16910360
19	F01230059	DADO M12X1,75 D982 8ZN	NUT M12X1,75 D982 8ZN	ECROU AUTO-FREINES M12 D982 ZN	SICHERUNGSMUTTER M12 D982 ZN	TUERCA DE SEGURIDAD M12 D982ZN
20	F01410076	ROS.M12 13X 24X2,5 U6592 ZN	WASHER 12 13X 24X2,5 U6592 ZN	RONDEL. M12 13X24X2,5 U6592 ZN	SCHEIBE M12 13X24X2,5 U6592 ZN	ARANDELA M12 13 X24X2,5 ZN
21	F01020170	VITE M12X1,75X100 U5737 8.8ZN	SCR. M12X1,75X100 U5737 8.8ZN	VIS M12X1,75X100 5737 8.8 ZN	SCHRA.M12X1,75X100 5737 8.8 ZN	TORN. M12X1,75X100 5737 8.8 ZN
22	G17942560	LEVA SOLLEVAMENTO DX	RIGHT LIFTING LEVER			
23	G18800940	BOCCOLA 15,25X28 X10	BUSHING 15,25 X 28 X 10	BOITE 15-25X28 X10	BsCHSE 15-25X28 X10	CASQUILLO 15-25X28 X10
24	G65337004	MOLLA TRAZ.SOLLEV. FU	TRACTION SPRING LIFT. FU	RESSORT TRACT. LEVAGE FU	ZUGFEDER HEBUNG FU	MUELLE TRAC. LEVDEL. FU
25	F01020156	VITE M12X1,75X50 U5737 8.8ZN	SCR. M12X1,75X50 U5737 8.8ZN	VIS M12X1,75X50 U5737 8.8 ZN	SCHR. M12X1,75X50 U5737 8.8 ZN	TORN. M12X1,75X50 U5737 8.8 ZN
26	G16621390	ANELLO CAT.LUC.GENOVESE 8 ZN	RING CHAIN GENOVESE 8			
27	G16070900	VALVOLA CABLATATA	ASSY WIRED VALVE			
28	G18700690	RONDELLA 15 X40 X6 ZN	WASHER 15 X 40 X 6 ZN	RONDELLE 15 X40 X6 ZN	UNTERLEGSSCHEIBE 15 X40 X6 ZN	ARANDELA 15 X40 X6 ZN
29	F01020128	VITE M10X1,5X80 U5737 8.8ZN	SCR. M10X1,5X80 U5737 8.8ZN	VIS M10X1,5X80 U5737 8.8 ZN	SCHRAUBE M10X1,5X80 U5737 8.8	TORNIL.M10X1,5X80 U5737 8.8 ZN
30	F03150045	>NIPPLO MF GIREVOLE 1/4 ZN CIL	NIPPLE MF SWIVEL 1/4 ZN CIL			
31	F03151217	RACCORDO -T- LATER.M-M-FG 1/4	T M-FG-M LATER.CONNECTION PIPE	RACCORD T M-FG-M 1/4	ANSCHLUSST M-FG-M 1/4	UNION T M-HG-M 1/4
32	G22505140	TUBO 1/4R2 C-F 1/4 L.2350 LM	TUBE 1/4R1 C-F 1/4 L.2350 LM			
33	F03151226	REGOL.DI FLUSSO VRF 1/4' GAS	1/4' GAS VALVE VRF	SOUPAPE REG DEBIT VRF 1/4' GAZ	VENITL VRF 1/4' GAS	VæLVULA VRF 1/4' GAS
34	G17714260	SUPPORTO DISCO SEGNAFILE	ROWMARKER DISK SUPPORT			
35	G16610431	FONDELLO ZN	BOTTOM GALV.ED			
36	F04010156	CUSC.d20 D47 B14 6204 2RSH	BEARING d20 D47 B14 6204 2RSH			
37	G18801270	BOCCOLA 21 X25 X12 ZN B.	BUSHING 21 X25 X12 ZN			
38	G16610160	SUPP.CUSCINETTI DISCO SEGN.ZN.	GALVAN. ROWMARKER DISK BEARING	SUPPORT ROULEMENTS DISQUE TRAC	SCHEIBENLAGERHALTERUNG	SOPORTE COJINETE DE DISCO MARC
39	F03010576	ANELLO OR 50,52X1,78 NBR	GASKET OR 50,52X1,78 NBR	BAGUE OR 50,52X1,78 NBR	RING OR 50,52X1,78 NBR	ANILLO OR 50,52X1,78 NBR
40	G16072590	DISCO SEGNAFILE D.350	ROW-MARKER DISK D.350			
41	G16610190	CHIUSURA CUSCINETTO ZN	END BEARING ZN			
42	F01230098	DADO M18X2,5 D982 8ZN	NUT M18X2,5 D982 8ZN	ECROU M18X 2,5 D982 8 ZN	MUTTER M18X 2,5 D982 8 ZN	TUERCA M18X 2,5 D982 8 ZN
43	F01060040	VITE M8X1,25X20 U5732 4.6ZG	SCR. M8X1,25X20 U5732 4.6ZG	VIS M8X1,25X20 U5732 4.6 ZN	SCHRA. M8X1,25X20 U5732 4.6 ZN	TORN. M8X1,25X20 U5732 4.6 ZN
44	F02050370	ANELLO E. DI 47X1,75 U7437 C70	SEEGER RING 47X 1,75 U7437 C70	SEEGER E. 47X 1,75 U7437 C70	SEEGERING E. 47X1,75 U7437 C70	ANILLO E. 47X 1,75 U7437 C70
45	F01200244	DADO M8X1,25 U5588 6.8ZN	NUT M8X1,25 U5588 6.8ZN	ECROU M8 X1,25 U5588 6.8 ZN	MUTTER M8 X1,25 U5588 6.8 ZN	TUERCA M8 X1,25 U5588 6.8 ZN
46	F01500012	RONDELLA IN RAME 1/4"	COPPER WASHER 13X19X1,5-1/4"	RONDELLE	SCHEIBE	ARANDELA
47	F03150266	NIPPLO MM CIL-CIL 1/4-1/4 ZN	NIPPLE GALV.CYL.MALE 1/4 ZN	RACCORD T M-FG-M 1/4	NIPPELZYL.1/4 ZN	NIPLE MACHO CIL.1/4 ZN
48	F03151217	RACCORDO -T- LATER.M-M-FG 1/4	T M-FG-M LATER.CONNECTION PIPE	RACCORD T M-FG-M 1/4	ANSCHLUSST M-FG-M 1/4	UNION T M-HG-M 1/4
49	F03150859	CURVA 90° F.GIREV.1/4 - M.1/4	ELBOW 90° F. SWIVEL 1/4 - M.1/4	COUDE 90° F.TOURN.1/4 - M.1/4	KNIESTsCK 90° F.DREHB.1/4 - M.	CURVA 90 F.GIRAT.1/4 - M.1/4
50	G17312180	SUPPORTO TRACCIASIENTIERI	TRAIL TRACER SUPPORT			
51	G23440198	SCONTRO ATTACCO BRACCIO HL/2	STRIKER PLATE ARM ATTACH. HL/2	BUTE FIXATION BRAS HL/2	ARMKUPPLUNGSANSCHLAG HL/2	ELEMENTO DE EMPALME CONEXIN BC
52	F20120349	PUNTALE Q.50 ALETT.POLIT.NERO	CAP	BOUCHON	DECKEL	CORCHO
53	F01020120	VITE M10X1,5X65 U5737 8.8ZN	SCR. M10X1,5X65 U5737 8.8ZN	VIS M10X1,5X65 U5737 8.8 ZN	SCHRA. M10X1,5X65 U5737 8.8 ZN	TORN. M10X1,5X65 U5737 8.8 ZN

mod. 500



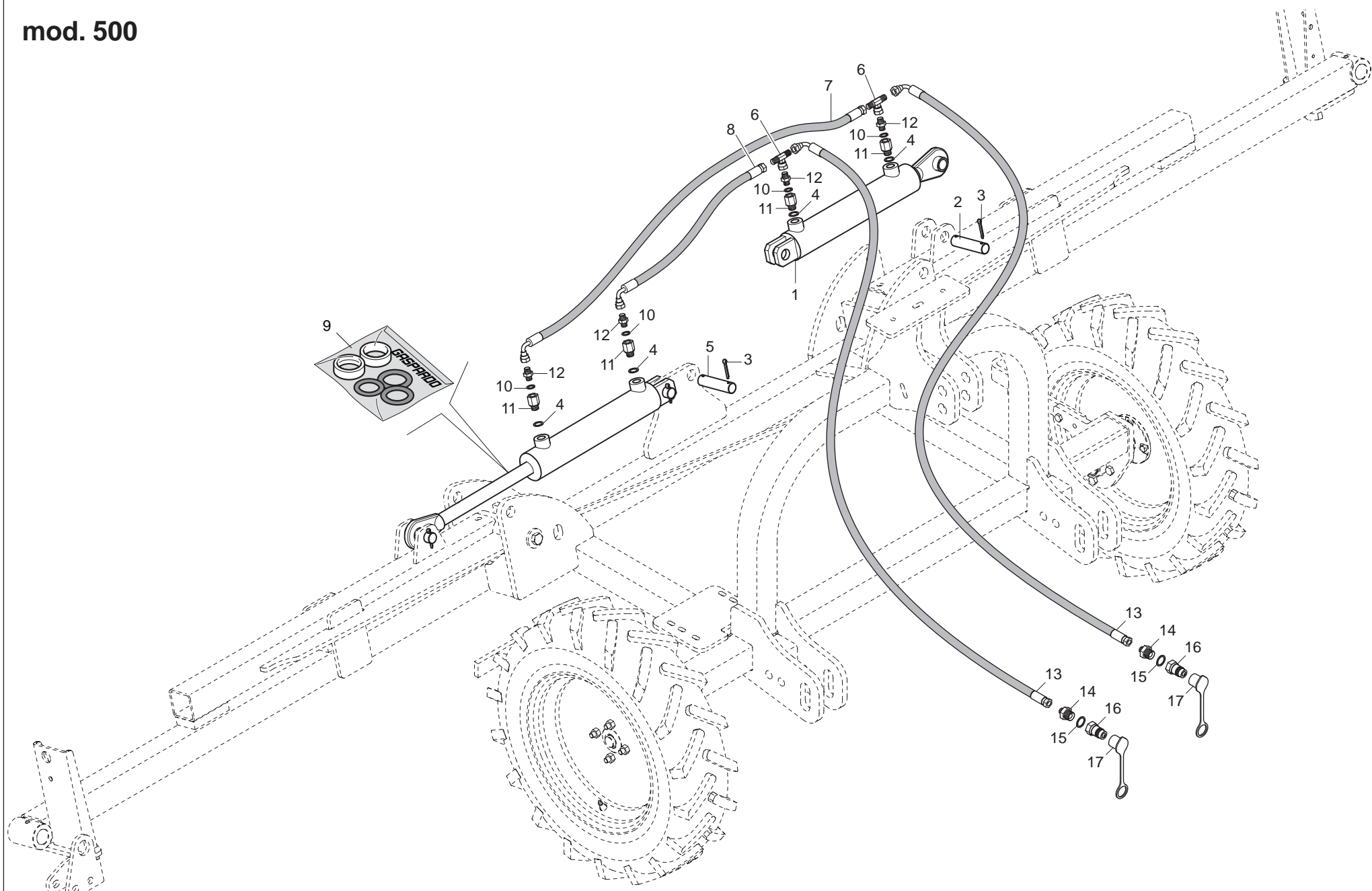
TELAIO «mod. 500»

TAV. 310

Pos.	Cod.	Descrizione	Description	Description	Benennung	Descripcion
1	F01220033	DADO M10X1,5 D980 8ZN	NUT M10X1,5 D980 8ZN	ECROU M10X 1,5 D980 8 ZN	MUTTER M10X 1,5 D980 8 ZN	TUERCA M10X 1,5 D980 8 ZN
2	G16015840	GUIDATUBI DISCESA SEMI	SEED DOWN PIPE-GUIDE	GUIDE-TUBES DESC.GRAINE	SENKROHRFÜHRUNG SAMEN	GUA DE TUBO DESCENSO SEME
3	F01230085	DADO M16X2 D982 8ZN	NUT M16X2 D982 8ZN	ECROU M16X 2 D982 8 ZN	MUTTER M16X 2 D982 8 ZN	TUERCA M16X 2 D982 8 ZN
4	G18700450	RONDELLA 17 X45 X6 ZN	WASHER 17X45X6 GALV.ED			
5	F04150035	CUSCIN.FLANG.GFM-4044-40	BEARING FLANG.GFM-4044-40			
6	G16073300	SUPPORTO LATERALE TRAMOGGIA	HOPPER LATERAL SUPPORT			
7	G13812311	CATENELLA CON MOSCHETTONE ZN	CHAIN WITH SPRING CATCH	CHAINETTE AVEC MOUSQUETON	KETTE MIT KARABINERHAKEN	CADENA CON GANCHO
8	G16073692	BRACCIO PIEG.SX	LEFT FOLDING ARM			
9	G18803370	BOCCOLA 16,5 X40 X194 ZN	BUSH 16,5 X40X194 ZN			
10	F01410100	ROS.M16 17X 30X 3 U6592 ZN	WASHER M16 17X30X3 U6592 ZN	RONDELLE M16 17X30X3 U6592 ZN	SCHRAUBE M16 17X 30X3 U6592 ZN	ARANDELA M16 17X30X 3 U6592 ZN
11	F01020282	VITE M16X2X240 U5737 8.8ZN	SCR. M16X2X240 U5737 8.8ZN	VIS M16X2X240 U5737 8.8 ZN	SCHRA. M16X2X240 U5737 8.8 ZN	TORN. M16X2X240 U5737 8.8 ZN
12	F20100136	PERNO D28 L109 C43 ZN	BOLT D28 L109 C43 ZN	BOULON D28 L109 C43 ZN	BOLTZEN D28 L109 C43 ZN	PERNO D28 L109 C43 ZN
13	G20970120	RONDELLA 70X8X28,5	WASHER 70X8X28-5	RONDELLE 70X8X28-5	UNTERLEGSCHIEBE 70X8X28-5	ARANDELA 70X8X28-5
14	F02200507	SPINA A SCATTO D 9 B/83	SNAP PIN D9 B/83 ZN	FICHE A DETENTE D9 B/83 ZN	EINRASTSTIFT D9 B/83 ZN	CLAVIJA DE MUELLE D9 B/83 ZN
15	F20100133	PERNO D25 L122 C43 ZN	PIN D25 L122 C43 ZN	BOULON D25 L122 C43 ZN	BOLZEN D25 L122 C43 ZN	PERNO D25 L122 C43 ZN
16	G16073243	TELAIO PINTA'13	FRAME PINTA'13			
17	F20110745	CAV.Q.B=70 M=12X1,75L=96	U BOLT Q.B=70 M=12X1,75 L=96	CAVALIER M12 POUR TUBE 70X70	BsGELBOLZEN M12 Fsr ROHR 70X70	PERNO EN U M12 X TUBO 70X70
18	F20100134	PERNO D25 L190 C43 ZN	BOLT D25 L190 C43 ZN			
19	F20110725	CAV.Q.B=70 M=10X1,5 L=92	U BOLT Q.B=70 M=10X1,5 L=92	CAVALIER M10SUPPORT TRACEUR	BsGELBOLZEN M10 SPURREISSERHAL	PERNO EN U M10 SOPORTE MARCA.
20	F05100156	TAPPO PER TUBO 70X70	PLASTIC CAP X PIPE 70X70 TK.5	BOUCHON 70X 70	ROHRKOPFSTOPFEN 70X 70	TAPON 70X 70
21	G16073682	BRACCIO PIEG.DX	RH FOLDING ARM			
22	F01220048	DADO M12X1,75 D980 8ZN	NUT M12X1,75 D980 8ZN	ECROU M12X1,75 D980 8 ZN	SCHEIBE M12X1,75 D980 8 ZN	TUERCA M12X1,75 D980 8 ZN
23	G16018910	GUIDATUBI	PIPE GUIDE	GUIDE-TUBES	ROHRFÜHRUNG	GU A TUBOS

BARRA CEREALI PORTATA - MOUNTED CEREAL BAR

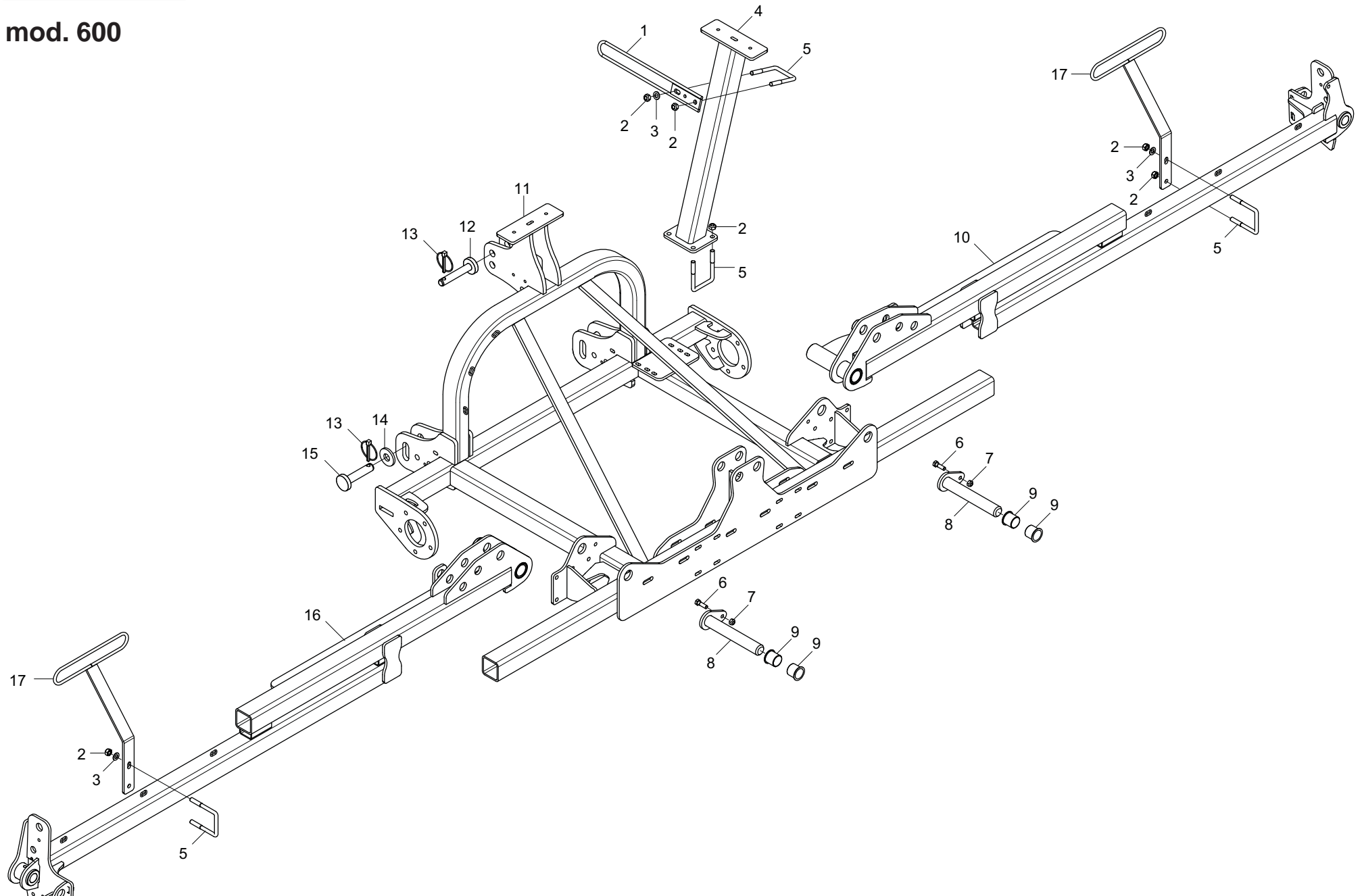
mod. 500



IMPIANTO OLEODINAMICO TELAIO «mod. 500»
TAV. 320

Pos.	Cod.	Descrizione	Description	Description	Benennung	Description
1	G17910260	CILINDRO DE 35X70 -275	CYLINDER DE 35X70 -275			
2	G15310160	SPINA PROLUNGA 1-2° PUNTO	EXTENSION 1.-2. POINT PIN	BROCHE RALLONGE 1-2. POINT	VERLZNGERUNGSSTIFT 1-2. PUNKT	CLAVIJA PROLONGACION 1-2. PUNTS
3	F02200229	COPIGLIA 5X 45 U1336 ZN	SPLIT PIN 5X 45 U1336 ZN	GOUPILLE 5X 45 U1336 ZN	SPANNSTIFT 5X 45 U1336 ZN	PASADOR 5X 45 U1336 ZN
4	F03100023	ROS. 17 X23X1,5 RAME -3/8"	WASHER 17X23X1,5	RONDELLE 17X23X1,5	SCHEIBE 17X23X1,5	ARANDELA 17X23X1,5
5	G13616180	SPINA 25 X 60 ZN	GALVANIZED PIN 25 X 60	GOUPILLE 25 X 60 ZN	STIFT 25 X 60 ZN	CLAVIJA 25 X 60 ZN
6	F03151216	RACCORDO -T- CENTR.M-FG-M 1/4	UNION T M-M-F 1/4' ZN	RACCORD T M-M-F 1/4' ZN	ANSCHLUSSTsCK TM-M-F 1/4' ZN	UNIN T M-M-F 1/4' ZN R
7	G16011680	TUBO 1/4' R2 C-F 1/4' L.900	PIPE 1/4'R2 C-F 1/4'L.900	TUBE 1/4'R2 C-F 1/4'L. 900	ROHR 1/4'R2 C-F 1/4'L 900	TUBO 1/4'R2 C-F 1/4'L.900
8	G16011670	TUBO 1/4' R2 C-F 1/4' L.500	PIPE 1/4'R2 C-F 1/4'L.500	TUBE 1/4'R2 C-F 1/4'L. 500	ROHR 1/4'R2 C-F 1/4'L 500	TUBO 1/4'R2 C-F 1/4'L.500
9	F03100185	KIT GUAR.CIL.15312720-17910260	KIT O-RING CYLINDER 15312720	KIT GARNIT. CYLINDRE 15312720	KIT DICHT.OR ZYLINDER15312720	SET JUNTA OR CILINDRO15312720
10	F01500012	RONDELLA IN RAME 1/4"	COPPER WASHER 13X19X1,5-1/4"	RONDELLE	SCHEIBE	ARANDELA
11	F03150409	NIPPLO MF CIL-CIL 3/8-1/4 ZN	NIPPLE MF CIL-CIL 3/8-1/4 ZN			
12	G16011690	MONT.NIPPLO 1/4 GRANO F.1,0	UPRIGHT 1/4" NIPPLE WITH GRUB	MONTANT NIPPLE 1/4 AVEC GRAIN	STZNDER NIPPEL 1/4 MIT STIFT 8	MONT.NIPL 1/4 TORNIL.SIN CABE
13	G22505140	TUBO 1/4R2 C-F 1/4 L.2350 LM	TUBE 1/4R1 C-F 1/4 L.2350 LM			
14	F03150211	NIPPLO MM CIL-CIL 1/2-1/4 ZN	NIPLE MM CIL-CIL 1/4-1/2 ZN	NIPLE MM 1/4-1/2 ZN	NIPLE GG 1/4-1/2 ZN	NIPLE MM 1/4-1/2 ZN
15	F03151237	ROS. 21 X27X1,5 RAME -1/2"	COPPER WASHER 21X27X1,5 1/2	RONDELLE CUIVRE 21X27X1,5 1/2	SCHEIBE KUPFER 21X27X1,5 1/2	ARANDELA COBRE 21X27X1,5 1/2
16	F03150935	INNESTO RAP.MASCH.1/2 A VALV.	QUICK CONNECT MALE CONE 1/2	CONNEXION RAPIDE MALE CONE 1/2	SCHNELLKUPP.GEWINDE KONISC 1/2	ACOPLAMIENT.RAP.MACHO CONO 1/2
17	F05150325	CAPPUC.F X INN.M RAP.1/2 ROSSO	COVER CONNECT F 1/2 RED	COUVERCLE CONNEXION F 1/2 ROSE	DECKEL W 1/2 SCHNELLKUPP. ROT	PAC PROTECCION F 1/2 ROJO

mod. 600

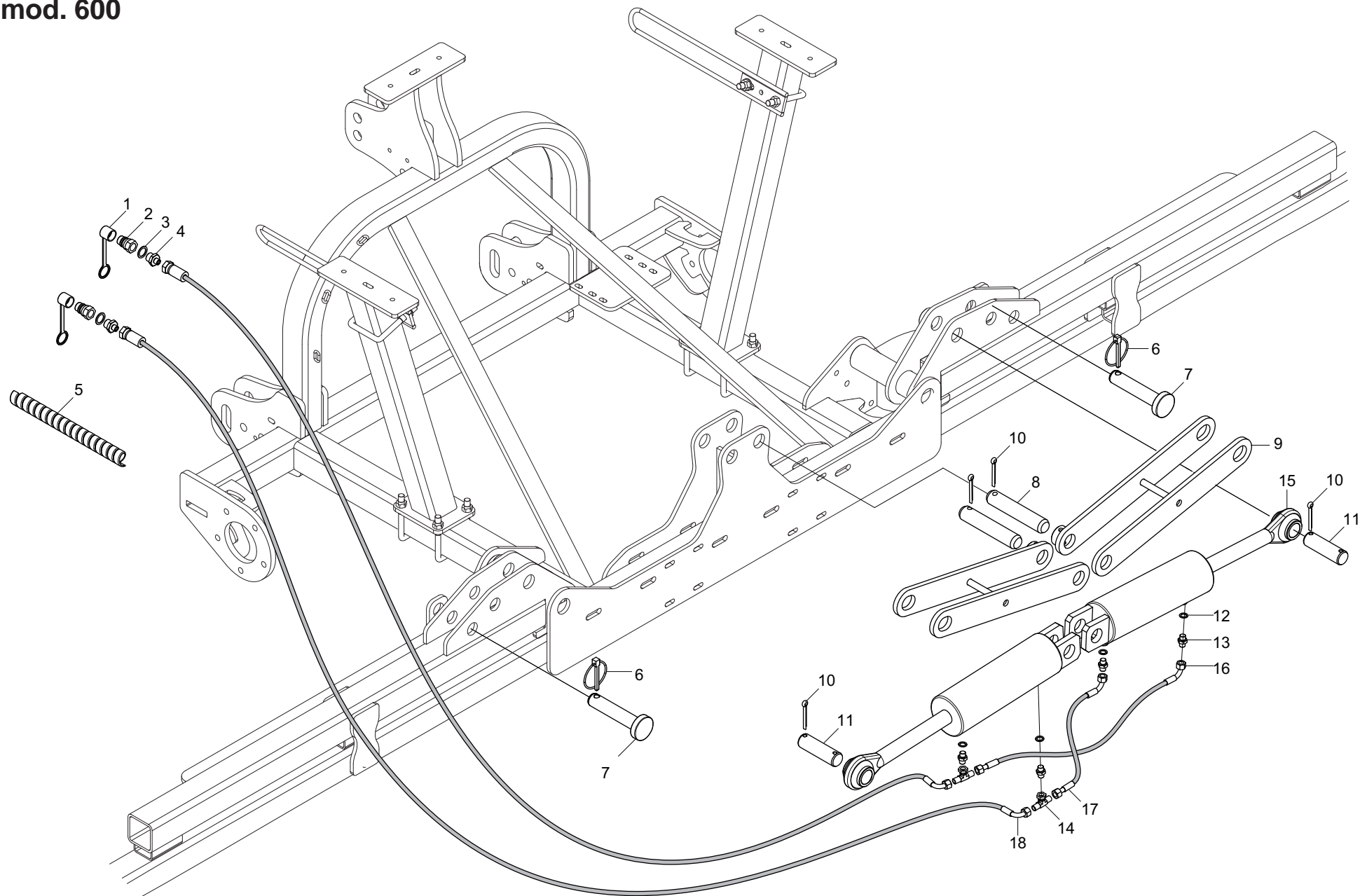


TELAIO «mod. 600»

TAV. 330

Pos.	Cod.	Descrizione	Description	Description	Benennung	Descripcion
1	G16075660	GUIDA TUBO SU TELAIO	GUIDE TUBE FRAME			
2	F01220255	DADO M14X2 D980 8ZN	NUT M14X2 D980 8ZN	ECROU TRISTOP M14X2 D980 8 ZN	MUTTER TRISTOP M14X2 D980 8 ZN	TUERCA TRISTOP M14X2 D980 8 ZN
3	F01410088	ROS.M14 15X 28X2,5 U6592 ZN	WAS.M14 15X 28X2,5 U6592 ZB	RON.M14 15X 28X2,5 U6592 ZB	SCH.M14 15X 28X2,5 U6592 ZB	ARA.M14 15X 28X2,5 U6592 ZB
4	G16074600	SUPPORTO LATERALE TRAMOGGIA	SIDE HOPPER SUPPORT			
5	F20110770	CAV.Q.B=80 M=14X2 L=119	U BOLT Q.B=80 M=14X2 L=119	BRIDE U M14X2X50 96X119 ZN	ANSCHLANG U M14X2X50 96X119 ZN	EL.DE EMPALME M14X2X50 96X119
6	F01020152	VITE M12X1,75X40 U5737 8.8ZN	SCR. M12X1,75X40 U5737 8.8ZN	VIS M12X1,75X40 U5737 8.8 ZN	SCHRAUBE M12X1,75X40U57378.8ZN	TORNIL.M12X1,75X40 U5737 8.8ZN
7	F01220048	DADO M12X1,75 D980 8ZN	NUT M12X1,75 D980 8ZN	ECROU M12X1,75 D980 8 ZN	SCHEIBE M12X1,75 D980 8 ZN	TUERCA M12X1,75 D980 8 ZN
8	G16074970	SPINA ZN	PIN			
9	F04150035	CUSCIN.FLANG.GFM-4044-40	BEARING FLANG.GFM-4044-40			
10	G16074490	BRACCIO PIEGH.DX PINTA 600	RIGHT FOLDING ARM PINTA600			
11	G16074350	TELAIO PINTA 600	FRAME PINTA 600			
12	F20100133	PERNO D25 L122 C43 ZN	PIN D25 L122 C43 ZN	BOULON D25 L122 C43 ZN	BOLZEN D25 L122 C43 ZN	PERNO D25 L122 C43 ZN
13	F02200507	SPINA A SCATTO D 9 B/83	SNAP PIN D9 B/83 ZN	FICHE A DETENTE D9 B/83 ZN	EINRASTSTIFT D9 B/83 ZN	CLAVIJA DE MUELLE D9 B/83 ZN
14	G20970120	RONDELLA 70X8X28,5	WASHER 70X8X28-5	RONDELLE 70X8X28-5	UNTERLEGSCHIEBE 70X8X28-5	ARANDELA 70X8X28-5
15	F20100136	PERNO D28 L109 C43 ZN	BOLT D28 L109 C43 ZN	BOULON D28 L109 C43 ZN	BOLTZEN D28 L109 C43 ZN	PERNO D28 L109 C43 ZN
16	G16074500	BRACCIO PIEGH.SX PINTA 600	LEFT FOLDING ARM PINTA600			
17	G16075620	GUIDA TUBI TELAIO LATERALE	GUIDE TUBE FRAME			

mod. 600



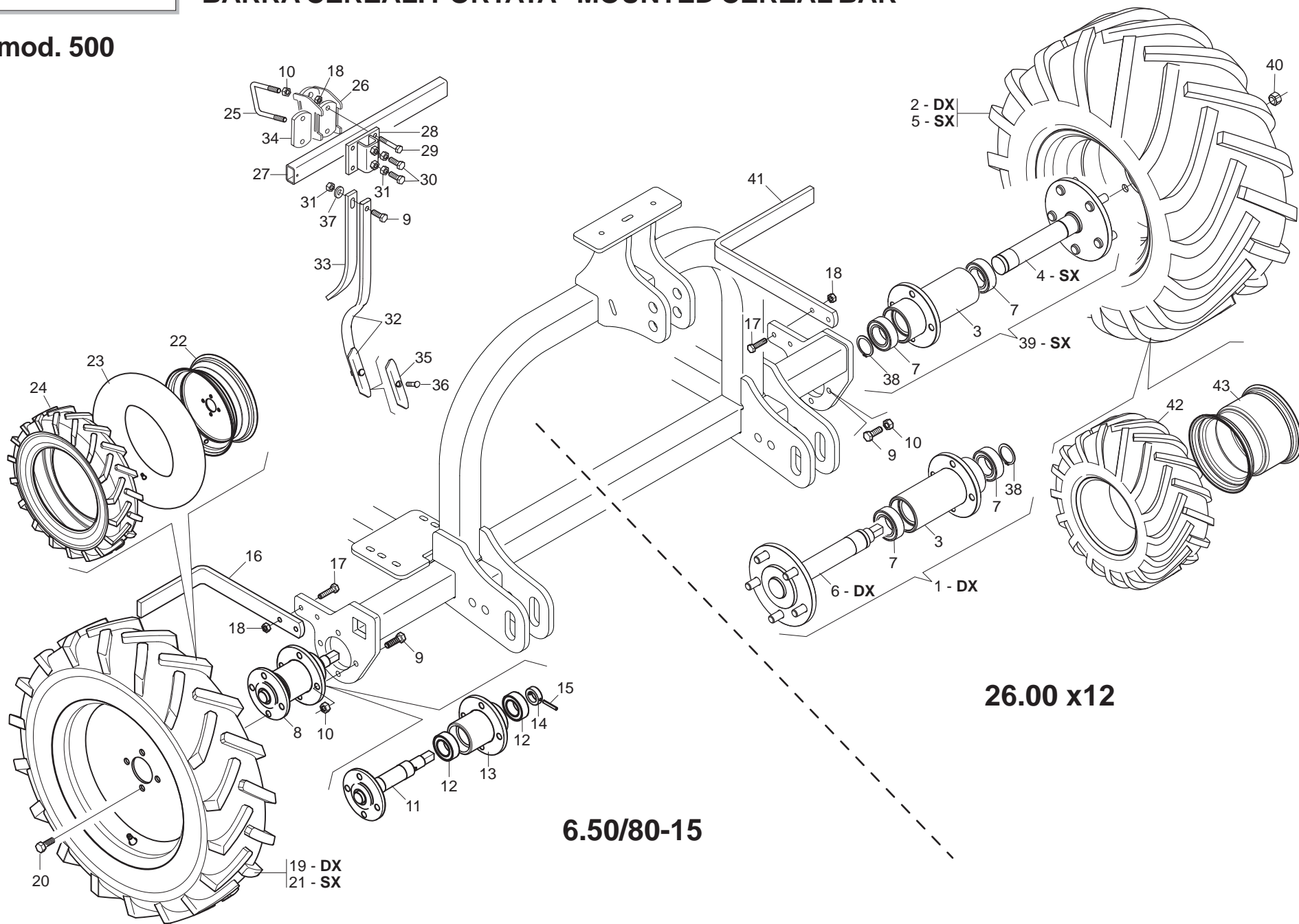
IMPIANTO OLEODINAMICO TELAIO «mod. 600»
TAV. 340

Pos.	Cod.	Descrizione	Description	Description	Benennung	Descripcion
1	F05150325	CAPPUC.F X INN.M RAP.1/2 ROSSO	COVER CONNECT F 1/2 RED	COUVERCLE CONNEXION F 1/2 ROSE	DECKEL W 1/2 SCHNELLKUPP. ROT	PAC PROTECCION F 1/2 ROJO
2	F03150935	INNESTO RAP.MASCH.1/2 A VALV.	QUICK CONNECT MALE CONE 1/2	CONNEXION RAPIDE MALE CONE 1/2	SCHNELLKUPP.GEWINDE KONISC 1/2	ACOPLAMIENT.RAP.MACHO CONO 1/2
3	F03151237	ROS. 21 X27X1,5 RAME -1/2"	COPPER WASHER 21X27X1,5 1/2	RONDELLE CUIVRE 21X27X1,5 1/2	SCHEIBE KUPFER 21X27X1,5 1/2	ARANDELA COBRE 21X27X1,5 1/2
4	F03150211	NIPPLO MM CIL-CIL 1/2-1/4 ZN	NIPLE MM CIL-CIL 1/4-1/2 ZN	NIPLE MM 1/4-1/2 ZN	NIPLE GG 1/4-1/2 ZN	NIPLE MM 1/4-1/2 ZN
5	F05150484	SPIRALE PROTETTIVA D.27-32	PROTECTIVE SPIRAL D.27-32	SPIRALE DE PROTECTION D.27-32	SPIRAL SCHUTZ D.27-32	ESPIRAL PROTECIEN D.27-32
6	F02200507	SPINA A SCATTO D 9 B/83	SNAP PIN D9 B/83 ZN	FICHE A DETENTE D9 B/83 ZN	EINRASTSTIFT D9 B/83 ZN	CLAVIJA DE MUELLE D9 B/83 ZN
7	F20100139	PERNO D32 L135 C43 ZN	PIN D32 L135 C40 ZN			
8	G16113350	SPINA 35,00X180 1F11	PIN 35X180 ZN	GOUPILLE 35X180 ZN	BOLZENSTIFT 35X180 ZN	PASADOR 35X180 ZN
9	G17915232	ASS.DI SICUREZZA	ASSY SAFETY			
10	F02200260	COPIGLIA 8 X60 1336 ZN	SPLIT PIN 8 X60 1336 ZN	GOUPILLE 8 X60 1336 ZN	SPLINT 8 X60 1336 ZN	PASADOR 8 X60 1336 ZN
11	R17012460	SPINA 35X99 ZN	PIN 35X99 ZN	FICHE EL. 35X99 ZN	STIFT 35X99 ZN	CLAVIJA 35X99 ZN
12	F01500012	RONDELLA IN RAME 1/4"	COPPER WASHER 13X19X1,5-1/4"	RONDELLE	SCHEIBE	ARANDELA
13	G16011690	MONT.NIPPLO 1/4 GRANO F.1,0	UPRIGHT 1/4" NIPPLE WITH GRUB	MONTANT NIPPLE 1/4 AVEC GRAIN	STZNDER NIPPEL 1/4 MIT STIFT 8	MONT.NIPLE 1/4 TORNIL.SIN CABE
14	F03151216	RACCORDO -T- CENTR.M-FG-M 1/4	UNION T M-M-F 1/4' ZN	RACCORD T M-M-F 1/4' ZN	ANSCHLUSSTsCK TM-M-F 1/4' ZN	UNIN T M-M-F 1/4' ZN R
15	G17913720	CILINDRO TELAIO POSTERIORE	REAR FRAME CYLINDER			
16	G17911270	TUBO 1/4R2 CF-F L. 700	PIPE 1/4R2 CF-F L. 700	TUBE 1/4R2 CF-F L. 700	ROHR 1/4R2 CF-F L. 700	TUBO 1/4R2 CF-F L. 700
17	G16011670	TUBO 1/4' R2 C-F 1/4' L.500	PIPE 1/4'R2 C-F 1/4'L.500	TUBE 1/4'R2 C-F 1/4'L. 500	ROHR 1/4'R2 C-F 1/4'L 500	TUBO 1/4'R2 C-F 1/4'L.500
18	G15210553	TUBO 1/4R2 CF45 1/4-F 1/4 2750	PIPE 1/4R2 CF45 1/4-F 1/4 2750			

TAV. 350

BARRA CEREALI PORTATA - MOUNTED CEREAL BAR

mod. 500



RUOTE «mod. 500»

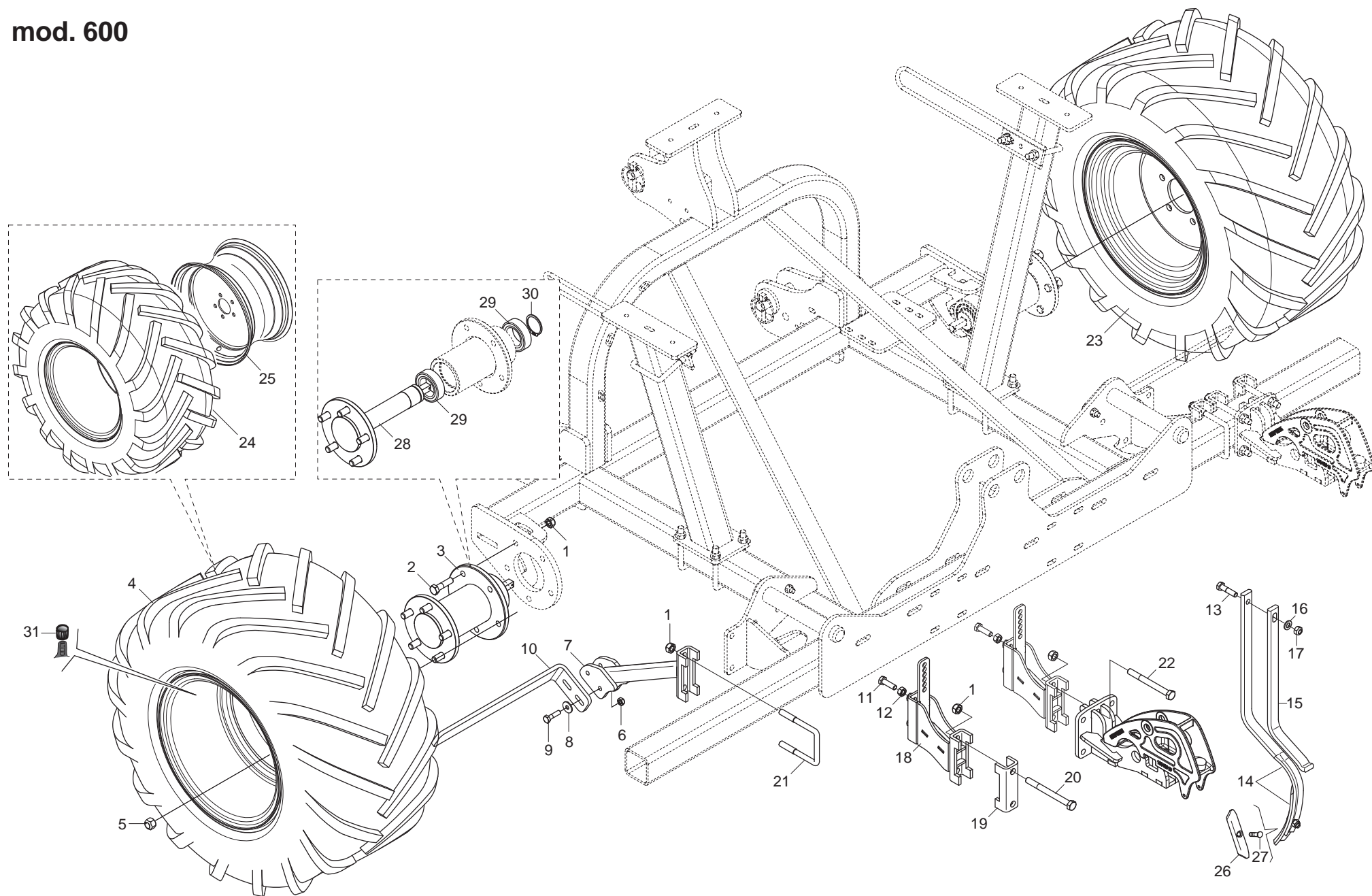
TAV. 350

Pos.	Cod.	Descrizione	Description	Description	Benennung	Descripcion
1	G16072240	SUPP.RUOTA TRASMISSIONE COMPL.	TRANS.WHEEL SUPPORT COMPL.			
2	G16716160	RUOTA GOMMATA 26.00-12 DX COMP	RUBBER WHEEL 26.00-12 RIGHT			
3	G16071430	SUPPORTO ASSE RUOTA	WHEEL AXLE SUPPORT			
4	G17931262	ASSE RUOTA DX	WHEEL AXLE DX			
5	G16715750	RUOTA GOMMATA 26.00-12 SX COMP	RUBBER WHEEL 26.00-12 LEFT			
6	G16072251	MONT.ASSE RUOTA TRASM.	TRANS.WHEEL AXLE ASS.BLY			
7	F04010346	CUSC.D40 D68 B21 63008 2RS1	BEARING D40 D68 B21 63008 2RS1	ROULEMENT 63008 2RS1	LAGER 63008 2RS1	COJINETE 63008 2RS1
8	G16010151	SUPPORTO RUOTA P-PI COMPL.	COMPL. WHEEL SUPPORT P-PI	SUPPORT ROUE P-PI COMPL.	HALTERUNG RAD P-PI KOMPL.	SOPORTE RUEDA P-PI COMPL.
9	F01020528	VITE M12X1,75X40 U5739 10.9ZD	SCR. M12X1,75X40 U5739 10.9ZD	VIS M12X1,75X40 U5739 10.9 ZN	SCHR.M12X1,75X40 U5739 10.9 ZN	TORN.M12X1,75X40 U5739 10.9 ZN
10	F01220048	DADO M12X1,75 D980 8ZN	NUT M12X1,75 D980 8ZN	ECROU M12X1,75 D980 8 ZN	SCHEIBE M12X1,75 D980 8 ZN	TUERCA M12X1,75 D980 8 ZN
11	G16010122	ASSE RUOTA D.35	WHEEL AXIS D.35	AXE ROUE D.35	RADACHSE D.35	EJE RUEDA O 35
12	F04010345	CUSC.D35 D62 B20 63007 2RS1>	BEARING D35 D62 B20 63007 2RS1	PALIER 63007 2RS1	LAGER 63007 2RS1	COJINETE 63007 2RS1
13	G16011250	SUPPORTO ASSE RUOTA P-PI	WHEEL SPINDLE SUPPORT P-PI	SUPPORT AXE ROUE P-PI	RADACHSHALTERUNG P-PI	SOPORTE EJE RUEDA P-PI
14	G16010080	BOCCOLA 25X40X13 ZN	BUSHING 25X40X13 ZN	BOITE 25X40X13 ZN	BÜCHSE 25X40X13 ZN	CASQUILLO 25X40X13 ZN
15	F02100121	SPINA E.P. 6X 40 U6873 C70 BR	ELASTIC PIN 6X40	GOIJON ELASTIQUE 6X40	SPANNHUELSE 6X40	PASADOR 6X40
16	G16010471	RASCHIAFANGO	MUD SCRAPER	RACLE-BOUE	SCHLAMMSCHABER	RASCADOR DE LODO
17	F01020483	VITE M10X1,5X40 U5739 10.9ZD	SCR. M10X1,5X40 U5739 10.9ZD	VIS M10X1,5X40 U5739 10.9 ZD	SCHR.M10X1,5X40 U5739 10.9 ZD	TORN. M10X1,5X40 U5739 10.9 ZD
18	F01220033	DADO M10X1,5 D980 8ZN	NUT M10X1,5 D980 8ZN	ECROU M10X 1,5 D980 8 ZN	MUTTER M10X 1,5 D980 8 ZN	TUERCA M10X 1,5 D980 8 ZN
19	F06120116	RUOTA 6.50/80-15 COMPL.	COMPLETE WHEEL 6.50/80-15			
20	F01250028	DADO COLON.CON.60°M12X20 ZN	STUD BOLT M12X20 ZN	COLONNETTE M12X20 ZN	SCHRAUBBOLZEN M12X20 ZN	ESP-RRAGO M12X20 ZN
21	F06120115	RUOTA GOMMATA LARGA SX COMPL.	UPRIGHT- WIDE RUBBERED WHEEL	MONT. ROUE CAOUTCHOUT. LARG.	STZNDER BREITES GUMMIRAD	MONT.RUEDA DE CAUCHO ANCHA
22	F06120207	CERCHIO 5J 15 H2 PV RAL 9001	RIM 5J 15 H2 PV RAL 9001			
23	F06120134	CAMERA X R5.00-15 E 6.5/80-15	INNER TUBE R5.00-15 6.5/80-15	CHAMBRE R5.00-15 6.5/80-15	KAMMER R5.00-15 6.5/80-15	CAMARA R5.00-15 6.5/80-15
24	F06120180	COPERTURA 6.5/80-15 IM 110 6PR	TYRE 6.5/80-15 IM 110 6PR			
25	F20110745	CAV.Q.B=70 M=12X1,75L=96	U BOLT Q.B=70 M=12X1,75 L=96	CAVALIER M12 POUR TUBE 70X70	BsGELBOLZEN M12 FsR ROHR 70X70	PERNO EN U M12 X TUBO 70X70
26	G19204340	SUPP.TUBO X FISS.ROMPITRACCIA	FIX.SUPP. TUBE ROWBRAKER			
27	G16018790	TUBO R. 50X 30X 4X 430	R.50X30X4X550 TUBE	TUBE R.50X30X4X550	ROHR R.50X30X4X550	TUBO R.50X30X4X550
28	G19204220	SUPPORTO ROMPITRACCIA	WIPEMARK SUPPORT			
29	F01020120	VITE M10X1,5X65 U5737 8.8ZN	SCR. M10X1,5X65 U5737 8.8ZN	VIS M10X1,5X65 U5737 8.8 ZN	SCHR. M10X1,5X65 U5737 8.8 ZN	TORN. M10X1,5X65 U5737 8.8 ZN
30	F01020512	VITE M12X1,75X35 U5739 8.8ZN	SCR. M12X1,75X35 U5739 8.8ZN	VIS M12X1,75X35 5739 8.8 ZN	SCHR. M12X1,75X35 5739 8.8 ZN	TORN. M12X1,75X35 5739 8.8 ZN
31	F01200421	DADO M12X1,75 U5589 6SZN	NUT M12X1,75 U5589 6SZN	ECROU M12	MUTTER M12	DADO M12
32	G67002019	ROMPITRACCIA	TRACEBREAKER	BRIS. DE TRACES	SPURMESSER	ROMPEHUELLA
33	G67002020	RINFORZO ROMPITRACCIA	ROWBRAKER REINFORC.	RENFORT EFFACEUR DE TRACES	VERST-RKUNG SPURLOCKERERZINKEN	REFUERZO ROMPETRAZAS
34	G16019090	SCONTRIO 90X 50-10 2F11 62	STRIKER 90 X50 -10 2F11 62	BUTEE 90 X50 -10 2F11 62	ANSCHLAG 90 X50 -10 2F11 62	ELEMENTO DE EMPALME 90 X50 -10
35	F20120013	VOMERE REVERSIBILE 36X6X210	REVERSIBLE PLOWSHARE 36X6X210			
36	G67002011	BULLONE TESTA OVALE M10X35	OVAL HEAD BOLT M10X35	BOULON TETE AVALE M10X35	SCHRAUBE OVAL KOPF. M10X35	PERNO CABEZA OVALADO M10X35
37	F01410076	ROS.M12 13X 24X2,5 U6592 ZN	WASHER 12 13X 24X2,5 U6592 ZN	RONDEL. M12 13X24X2,5 U6592 ZN	SCHEIBE M12 13X24X2,5 U6592 ZN	ARANDELA M12 13 X24X2,5 ZN
38	F02050168	ANELLO E. DE 40X1,75 U7435 C70	SEEGER RING 40X1,75 U7435 C70	BAGUE SEEGER 40X1,75 U7435 C70	SEEGERRING 40X1,75 U7435 C70	ANIL.SEEGER 40X1,75 U7435 C70
39	G16071500	MOZZO RUOTA CARRELLO COMPL.	WHEEL CARRIAGE HUB COMPL.			
40	F01250046	DADO COLON. 16X1,5 ZN	NUT STUD M16X 1.5 ZN	ECROU M16X1,5 COLONNETTE ZN	SCHRAUBBOLZENMUTTER M16X1,5 ZN	TUERCA M16X1,5 COLUMNA ZN
41	G16019240	RASCHIA FANGO RUOTA LARGA	SOIL-SCRAPER	RACLEUR	ERDSCHABER	RASCADOR TIERRA
42	F06120162	COPERTURA 26X12.00-12	TYRE 26X12.00 - 12			
43	F06120204	CERCHIO K12 S 384 5 FORI	CIRCLE K12 S 384 5 HOLES			

TAV. 360

BARRA CEREALI PORTATA - MOUNTED CEREAL BAR

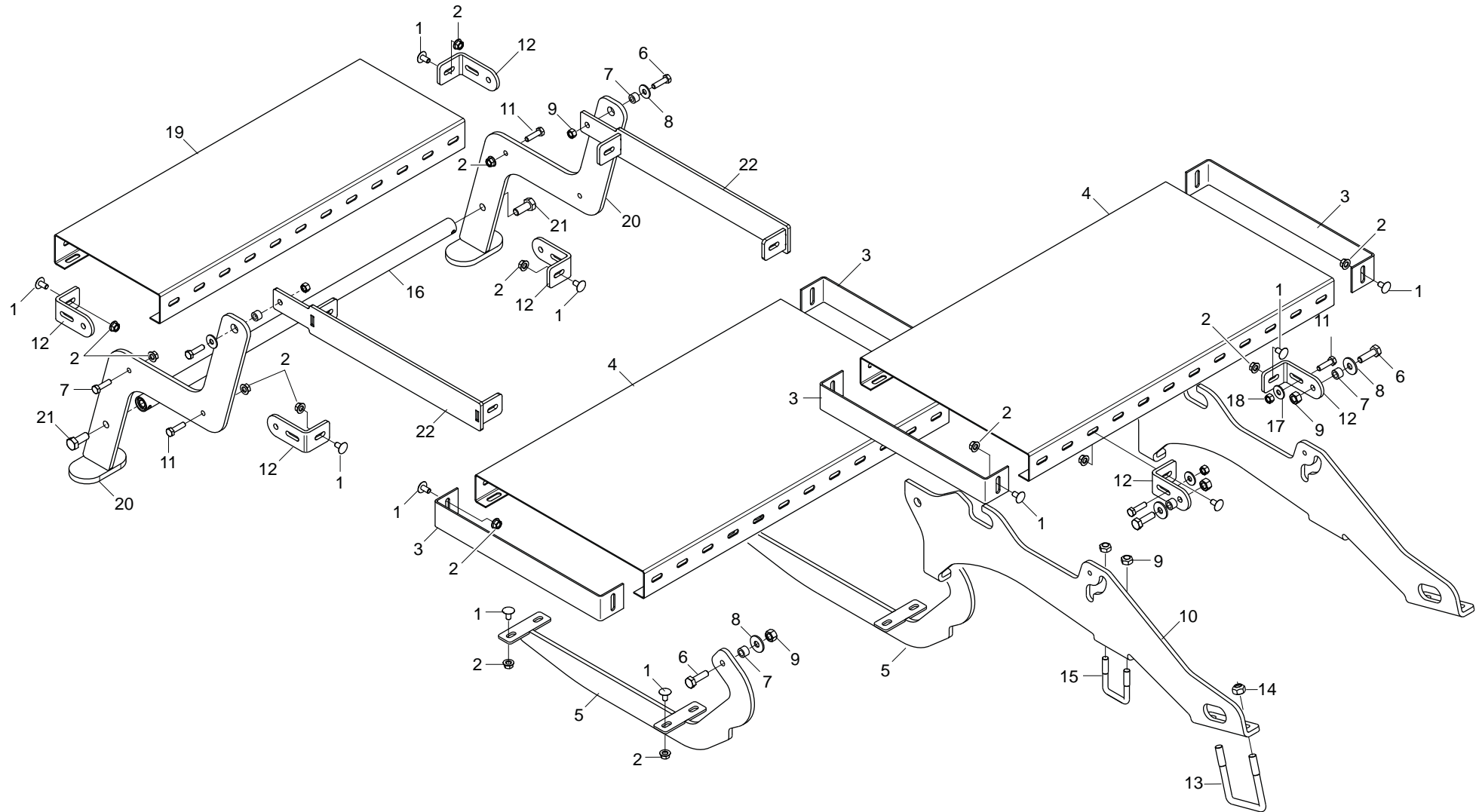
mod. 600



RUOTE «mod. 600»
TAV. 360

Pos.	Cod.	Descrizione	Description	Description	Benennung	Descripcion
1	F01220255	DADO M14X2 D980 8ZN	NUT M14X2 D980 8ZN	ECROU TRISTOP M14X2 D980 8 ZN	MUTTER TRISTOP M14X2 D980 8 ZN	TUERCA TRISTOP M14X2 D980 8 ZN
2	F01020201	VITE M14X2X55 U5737 8.8ZN	SCR. M14X2X55 U5737 8.8ZN	VIS M 14X55	SCHRAUBE M 14X55	TORNILLO M 14X55
3	G16075670	MOZZO RUOTA COMPL.	WHEEL HUB			
4	F06120282	RUOTA 31X15.5-15 SX	WHEEL 31X15.5-15 SX			
5	F01250046	DADO COLON. 16X1,5 ZN	NUT STUD M16X 1.5 ZN	ECROU M16X1,5 COLONNETTE ZN	SCHRAUBBOLZENMUTTER M16X1,5 ZN	TUERCA M16X1,5 COLUMNA ZN
6	F01220033	DADO M10X1,5 D980 8ZN	NUT M10X1,5 D980 8ZN	ECROU M10X 1,5 D980 8 ZN	MUTTER M10X 1,5 D980 8 ZN	TUERCA M10X 1,5 D980 8 ZN
7	G16075890	SUPPORTO RASCHIATERRA	SOIL SCRAPER SUPPORT			
8	F01420060	ROS.M10 10,5X 30X2,5 U6593 ZN	WASHER 10,5X30	RONDELLE 10,5X30	SCHEIBE 10,5X30	ARANDELA 10,5X30
9	F01020110	VITE M10X1,5X40 U5737 8.8ZN	SCR. M10X1,5X40 U5737 8.8ZN	VIS M 10X40	SCHRAUBE M 10X40	TORNILLO M 10X40
10	G17932320	LAMA RASCHIATERRA	SOILSCRAPER BLADE			
11	F01020528	VITE M12X1,75X40 U5739 10.9ZD	SCR. M12X1,75X40 U5739 10.9ZD	VIS M12X1,75X40 U5739 10.9 ZN	SCHR.M12X1,75X40 U5739 10.9 ZN	TORN.M12X1,75X40 U5739 10.9 ZN
12	F01200293	DADO M12X1,75 U5588 6.8ZN	NUT M12X1,75 U5588 6.8ZN	ECROU M12X1,75 U5588 6.8 ZN	MUTTER M12X1,75 U5588 6.8 ZN	TUERCA M12X1,75 U5588 6.8 ZN
13	F01020156	VITE M12X1,75X50 U5737 8.8ZN	SCR. M12X1,75X50 U5737 8.8ZN	VIS M12X1,75X50 U5737 8.8 ZN	SCHR. M12X1,75X50 U5737 8.8 ZN	TORN. M12X1,75X50 U5737 8.8 ZN
14	G67002019	ROMPITRACCIA	TRACEBREAKER	BRIS. DE TRACES	SPURMESSER	ROMPEHUELLA
15	G67002020	RINFORZO ROMPITRACCIA	ROWBRAKER REINFORC.	RENFORT EFFACEUR DE TRACES	VERST-RKUNG SPURLOCKERERZINKEN	REFUERZO ROMPETRAZAS
16	F01410076	ROS.M12 13X 24X2,5 U6592 ZN	WASHER 12 13X 24X2,5 U6592 ZN	RONDEL. M12 13X24X2,5 U6592 ZN	SCHEIBE M12 13X24X2,5 U6592 ZN	ARANDELA M12 13 X24X2,5 ZN
17	F01220048	DADO M12X1,75 D980 8ZN	NUT M12X1,75 D980 8ZN	ECROU M12X1,75 D980 8 ZN	SCHEIBE M12X1,75 D980 8 ZN	TUERCA M12X1,75 D980 8 ZN
18	G16075860	SUPPORTO ROMPITRACCIA	ROWBREAKER SUPPORT			
19	G36200241	SCONTRO U Q.80	FLANGE 'U' 80	BRIDE 'U' 80	ANSCHLAG 'U' 80	ELEMENTO DE EMPALME 'U' 80
20	F01020223	VITE M14X2X150 U5737 8.8BR	SCR. M14X2X150 U5737 8.8BR	VIS 14X150 5737 8.G	SCHRAUBE 14X150 5737 8.G	TORNILLO 14X150 5737 8.G
21	F20110770	CAV.Q.B=80 M=14X2 L=119	U BOLT Q.B=80 M=14X2 L=119	BRIDE U M14X2X50 96X119 ZN	ANSCHLANG U M14X2X50 96X119 ZN	EL.DE EMPALME M14X2X50 96X119
22	F01020221	VITE M14X2X140 U5737 8.8BR	SCR. M14X2X140 U5737 8.8BR	VIS M 14 X140 5737 8.G	SCHRAUBE M 14 X140 5737 8.G	TORNILLO M 14 X140 5737 8.G
23	F06120283	RUOTA 31X15.5-15 DX	WHEEL 31X15.5-15 RIGHT			
24	F06120162	COPERTURA 26X12.00-12	TYRE 26X12.00 - 12			
25	F06120204	CERCHIO K12 S 384 5 FORI	CIRCLE K12 S 384 5 HOLES			
26	F20120013	VOMERE REVERSIBILE 36X6X210	REVERSIBLE PLOWSHARE 36X6X210			
27	G67002011	BULLONE TESTA OVALE M10X35	OVAL HEAD BOLT M10X35	BOULON TETE AVALE M10X35	SCHRAUBE OVAL KOPF. M10X35	PERNO CABEZA OVALADO M10X35
28	G17931791	MONT.ASSE RUOTA	WHEEL AXLE ASS.BLY			
29	F04010347	CUSC.D50 D80 B23 63010 2RS1>	BEARING D50 D80 B23 63010 2RS1	PALIER D50 D80 B23 63010 2RS1	LAGER D50 D80 B23 63010 2RS1	COJINET.D50 D80 B23 63010 2RS1
30	F02050203	ANELLO E. DE 50X 2 U7435 C70	SEEGER RING D50X2 U7435 C70	ANEL SEEGER D50X2 U7435 C70	SEEGER RING D50X2 U7435 C70	ANILLO SEEGER D50X2 U7435 C70
31	F05050025	CAPPELLOTTO PROTEZ. X VALV.PVC	PROTECTION CAP PVC X VALVA	CAPUCHON PROTECION PVC X VALVA	SCHUTZKAPPE PVC X VENTIL	TAPA PROTECION PVC X VALVA

mod. 500



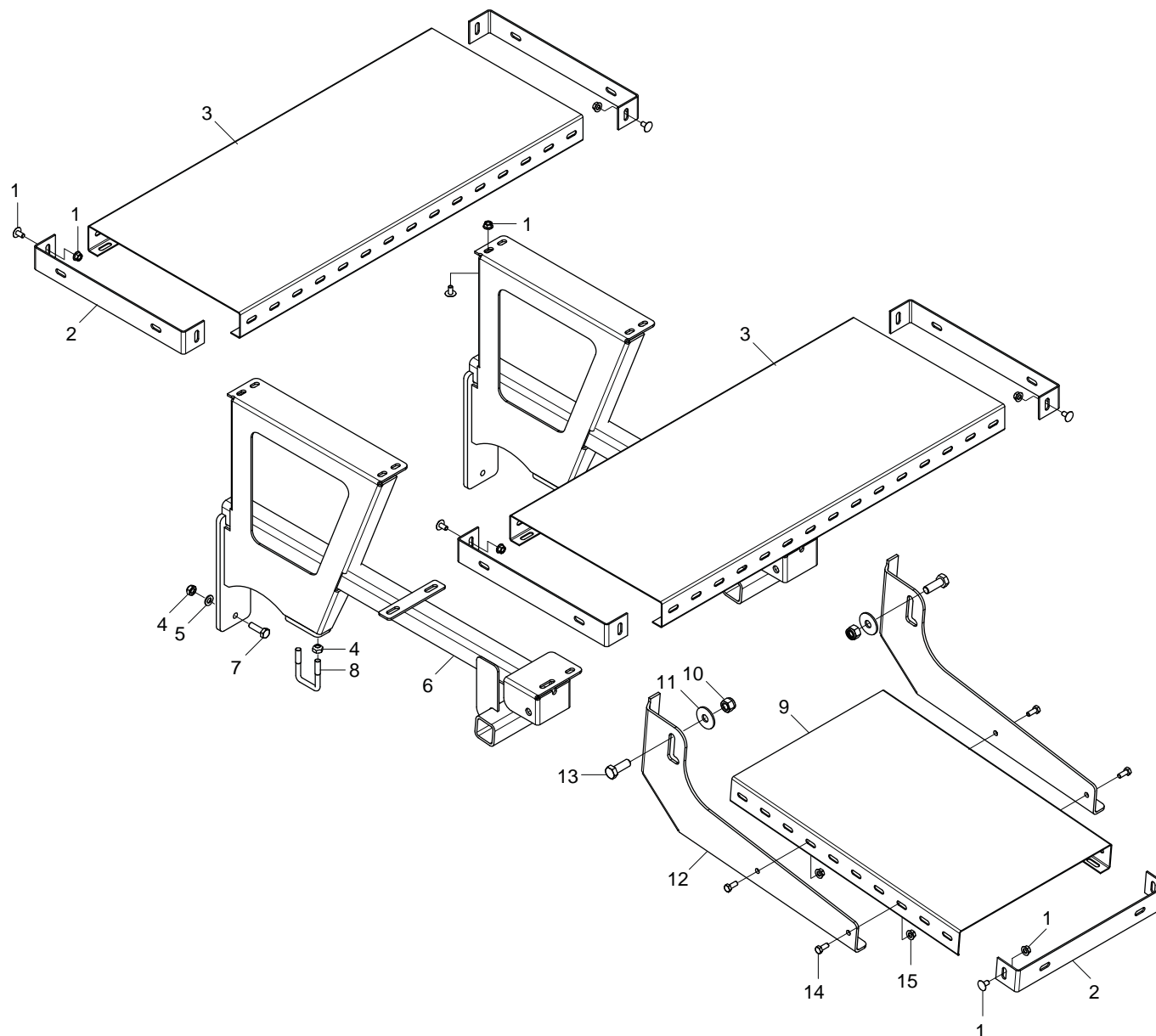
PEDANA E SCALETTA «mod. 500»

TAV. 370

Pos.	Cod.	Descrizione	Description	Description	Benennung	Descripcion
1	F01030495	VITE TTCN 90' M8X16 ZN	TTCN 90' BOLT M8X16 GALVANIZED	VIS TTCN 90' M8X16 ZN	SCHRAUBE TTCN 90' M8X16 ZN	TORNILLO TTCN 90' M8x16 ZN
2	F01260043	DADO M8 D6923 8.8ZN	NUT M8 D6923 8.8ZN	ECROU BRIDE .M8 DIN 6923 8.8 Z	GEFLANSCHTE MUTTER M8 DIN6923	TUERCA BRIDA M8 DIN 6923 8.8 Z
3	G16310680	TERMINALE PEDANA	GALVANIZED PLATFORM END	PIECE TERMINALE MARCHEPIED ZN	LAUFSTEGABSCHLUSS ZN	TERMINAL PLATAFORMA ZN
4	G16012440	PEDANA 400 X720 X2 ZN	PLATFORM 400 X720 X2 GALVAN	MARCHEPIED 400 X720 X2 ZN	TRITTBRETT 400 X720 X2 ZN	PLATAFORMA 400 X720 X2 ZN
5	G16075520	FIANCO SUPPORTO SCALINO	FOOTBOARD SUPPORT			
6	F01020479	VITE M10X1,5X35 U5739 8.8ZN	SCR. M10X1,5X35 U5739 8.8ZN	VIS M10X1,5X35 U5739 8.8 ZN	SCHR. M10X1,5X35 U5739 8.8 ZN	TORN. M10X1,5X35 U5739 8.8 ZN
7	G18801610	BOCCOLA 10,25X16 X11 ZN	BUSHING 10.25 X 16 X 11- GALVA	BOITE 10-25X16 X11 ZN	BsCHSE 10-25X16 X11 ZN	CASQUILLO 10-25X16 X11 ZN
8	F01420060	ROS.M10 10,5X 30X2,5 U6593 ZN	WASHER 10,5X30	RONDELLE 10,5X30	SCHIEBE 10,5X30	ARANDELA 10,5X30
9	F01220033	DADO M10X1,5 D980 8ZN	NUT M10X1,5 D980 8ZN	ECROU M10X 1,5 D980 8 ZN	MUTTER M10X 1,5 D980 8 ZN	TUERCA M10X 1,5 D980 8 ZN
10	G16075510	SUPPORTO PEDANA	PLATFORM SUPPORT			
11	F01020445	VITE M8X1,25X30 U5739 8.8ZN	SCR. M8X1,25X30 U5739 8.8ZN	VIS M 8X30	SCHRAUBE M 8X30	TORNILLO M 8X30
12	G16071520	STAFFA FISSAGGIO PEDANA ZN	FIXING BRACKET FOOTBOARD			
13	F20110745	CAV.Q.B=70 M=12X1,75L=96	U BOLT Q.B=70 M=12X1,75 L=96	CAVALIER M12 POUR TUBE 70X70	BsGELBOLZEN M12 Fsr ROHR 70X70	PERNO EN U M12 X TUBO 70X70
14	F01220048	DADO M12X1,75 D980 8ZN	NUT M12X1,75 D980 8ZN	ECROU M12X1,75 D980 8 ZN	SCHIEBE M12X1,75 D980 8 ZN	TUERCA M12X1,75 D980 8 ZN
15	F20110705	CAV.Q.B=40 M=10X1,5 L=62	U BOLT Q.B=40 M=10X1,5 L=62	CAVALIER ZN	BsGELBOLZEN ZN	PERNO EN U ZN
16	G16071860	DISTANZIATORE	SPACER			
17	F01420048	ROS.M8 8,4X 24X 2 U6593 ZN	WASHER M8 8,4X 24X2 U6593 ZN	RONDELLE M8 8,4X24X 2 U6593 ZN	SCHEIBEN M8 8,4X24X 2 U6593 ZN	ARANDELA M8 8,4X 24X2 U6593 ZN
18	F01230034	DADO M8X1,25 D982 8	NUT M8X1,25 D982 8	ECROU M8X 1,25 D982 8 ZN	MUTTER M8X 1,25 D982 8 ZN	TUERCA M8X 1,25 D982 8 ZN
19	G15171760	PEDANA 250X720X60 SP2 ZN	PLATFORM 250X720X60 SP2 ZN	MARCHEPIED 250X720X60 SP2 ZN	TRITTBRETT 250X720X60 SP2 ZN	PLATAFORMA 250X720X60 SP2 ZN
20	G16071820	SUPPORTO SCALINO	STEP SUPPORT			
21	F01020510	VITE M12X1,75X30 U5739 8.8ZN	SCR. M12X1,75X30 U5739 8.8ZN			
22	G16071830	ATTACCO SUPPORTO SCALINO	STEP SUPPORT			

BARRA CEREALI PORTATA - MOUNTED CEREAL BAR

mod. 600

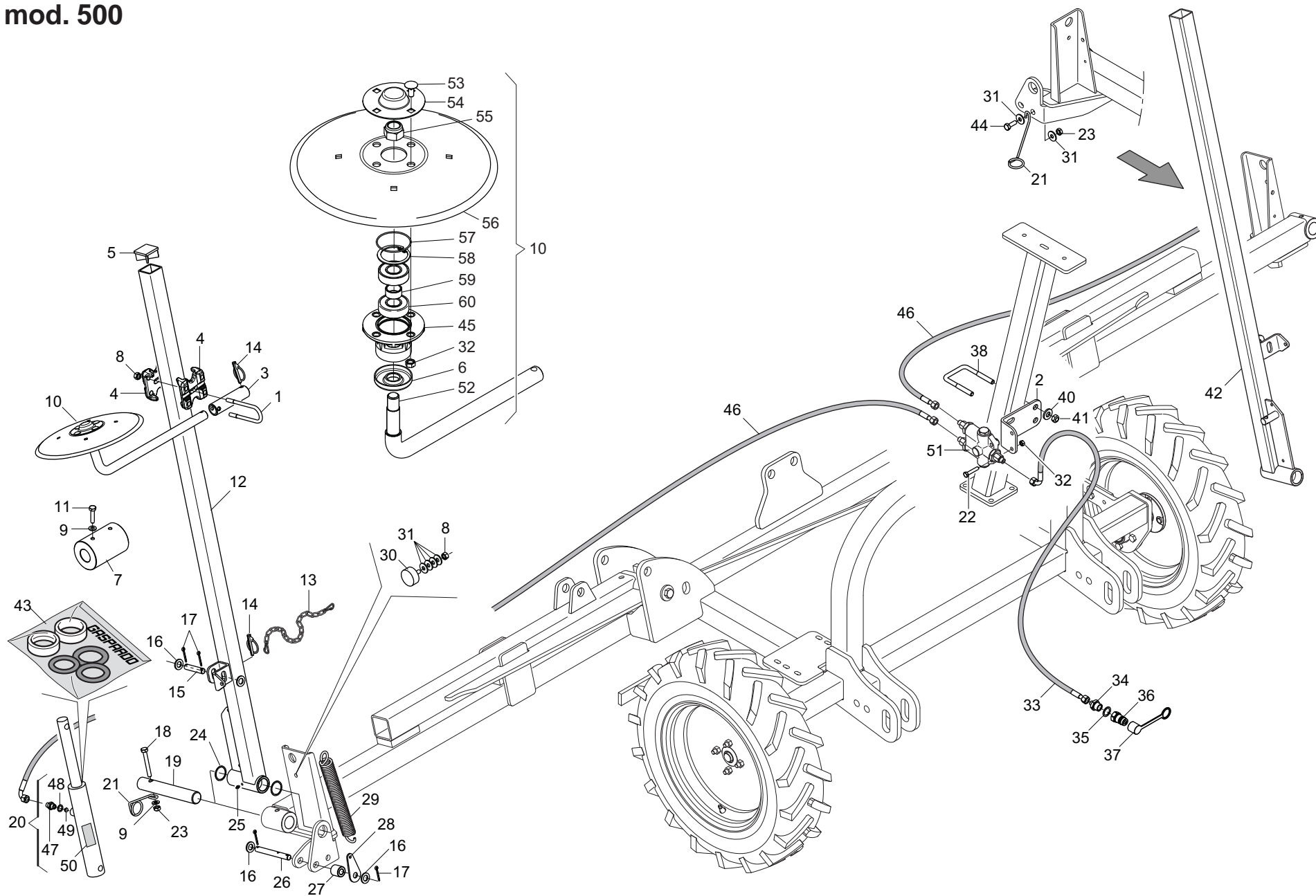


PEDANA E SCALETTA «mod. 600»

TAV. 380

Pos.	Cod.	Descrizione	Description	Description	Benennung	Descripcion
1	F01030495	VITE TTCN 90' M8X16 ZN	TTCN 90' BOLT M8X16 GALVANIZED	VIS TTCN 90' M8X16 ZN	SCHRAUBE TTCN 90' M8X16 ZN	TORNILLO TTCN 90' M8x16 ZN
2	G16310680	TERMINALE PEDANA	GALVANIZED PLATFORM END	PIECE TERMINALE MARCHEPIED ZN	LAUFSTEGABSCHLUSS ZN	TERMINAL PLATAFORMA ZN
3	G16016320	PEDANA 400X900X58 ZN	PLATFORM 400X900X58 ZN			
4	F01220033	DADO M10X1,5 D980 8ZN	NUT M10X1,5 D980 8ZN	ECROU M10X 1,5 D980 8 ZN	MUTTER M10X 1,5 D980 8 ZN	TUERCA M10X 1,5 D980 8 ZN
5	F01410064	ROS.M10 10,5X 20X 2 U6592 ZN	WASHER M10 10,5X20X2 U6592 ZN	RONDEL. M10 10,5X20X2 U6592 ZN	SCHEIBE M10 10,5X20X2 U6592 ZN	ARANDEL.M10 10,5X20X2 U6592 ZN
6	G16075310	SUPPORTO PEDANA	PLATFORM SUPPORT			
7	F01020479	VITE M10X1,5X35 U5739 8.8ZN	SCR. M10X1,5X35 U5739 8.8ZN	VIS M10X1,5X35 U5739 8.8 ZN	SCHR. M10X1,5X35 U5739 8.8 ZN	TORN. M10X1,5X35 U5739 8.8 ZN
8	F20110705	CAV.Q.B=40 M=10X1,5 L=62	U BOLT Q.B=40 M=10X1,5 L=62	CAVALIER ZN	BsGELBOLZEN ZN	PERNO EN U ZN
9	G17917220	PEDANA 400 X 600 X 58 SP2 ZN>	BOARD 400 X 600 X 58 SP2 ZN>			
10	F01230073	DADO M14X2 D982 8ZN	NUT M14X2 D982 8ZN	ECROU AUTOBL. M14X2 D982 8 ZN	SELBSTSP.MUTT. M14X2 D982 8 ZN	TUERCA AUTOBL. M14X2 D982 8 ZN
11	F01420084	ROS.M14 14,5X 36X 3 U6593 ZN	GALVANIZED WASHER 14 X36 X3	RONDELLE 14 X36 X3 ZN	UNTERLEGSCHEIBE 14 X36 X3 ZN	ARANDELA 14 X36 X3 ZN
12	G16314480	SUPPORTO PEDANA	BOARD SUPPORT			
13	F01020544	VITE M14X2X40 U5739 8.8ZN	SCR. M14X2X40 U5739 8.8ZN	VIS M14X2X40	SCHRAUBE M14X2X40	TORNILLO M14X2X40
14	F01020436	VITE M8X1,25X20 U5739 8.8ZN	SCR. M8X1,25X20 U5739 8.8ZN	VIS M8X1,25X 20 U5739 8.8 ZN	SCHRAUBE M8X1,25X20U5739 8.8ZN	TORN. M8X1,25X20 U5739 8.8 ZN
15	F01260043	DADO M8 D6923 8.8ZN	NUT M8 D6923 8.8ZN	ECROU BRIDE .M8 DIN 6923 8.8 Z	GEFLANSCHTE MUTTER M8 DIN6923	TUERCA BRIDA M8 DIN 6923 8.8 Z

mod. 500



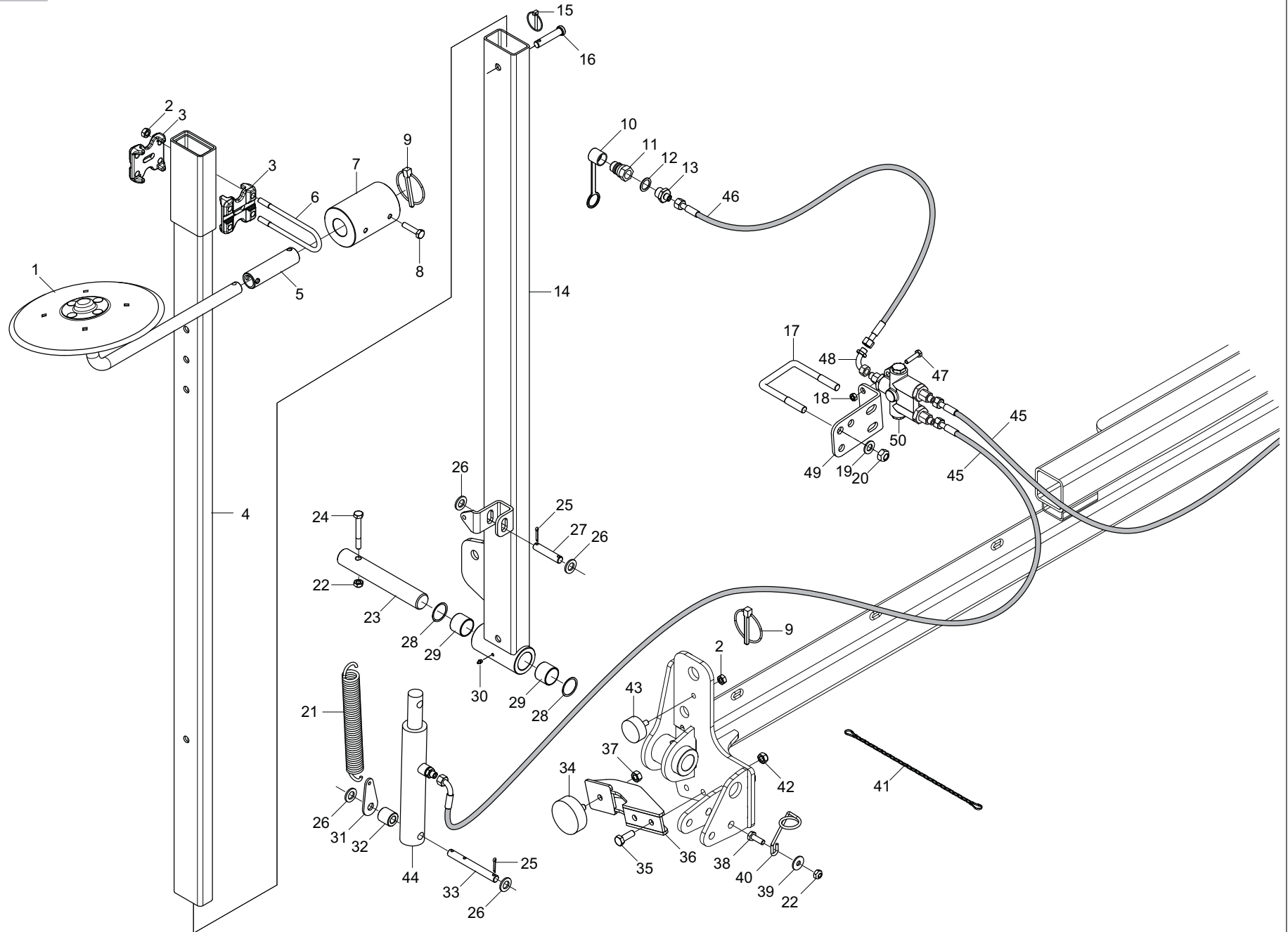
SEGNAFILE «mod. 500»

TAV. 390

Pos.	Cod.	Descrizione	Description	Description	Benennung	Descripcion
1	F20110860	CAV.T.M10X1,5X30 46X128,5ZN	U BOLT.T.M10X1,5X30 46X L128,5	CAVALIER M10X46 ZN	VERBINDUNG M10X46 ZN	PERNO EN U M10X46 ZN
2	G15412351	SUPPORTO VALVOLA	VALVE SUPPORT			
3	G17111290	MANICOTTO DISCO ZN	DISC SLEEVE U BOLT	MANCHON DISQUE	SCHLEIBENMUFFE	MANGUITO DISCO
4	G19204230	SUPPORTO MANICOTTO TQ.50	SLEEVE SUPPORT TQ.50			
5	F20120349	PUNTALE Q.50 ALETT.POLIT.NERO	CAP	BOUCHON	DECKEL	CORCHO
6	G16610431	FONDELLO ZN	BOTTOM GALV.ED			
7	G16012950	ZAVORRA	BALLAST	LEST	BALLAST	CONTRAPESO
8	F01200270	DADO M10X1,5 U5588 6.8ZN	NUT M10X1,5 U5588 6.8ZN	ECROU M10X 1,5 U5588 6.8 ZN	MUTTER M10X 1,5 U5588 6.8 ZN	TUERCA M10X 1,5 U5588 6.8 ZN
9	F01410064	ROS.M10 10,5X 20X 2 U6592 ZN	WASHER M10 10,5X20X2 U6592 ZN	RONDEL. M10 10,5X20X2 U6592 ZN	SCHLEIBE M10 10,5X20X2 U6592 ZN	ARANDEL.M10 10,5X20X2 U6592 ZN
10	G17111481	DISCO D.320 COMPL.MAGICA	DISK D.320 COMPLETE MAGICA			
11	F01020484	VITE M10X1,5X45 U5739 8.8ZN	SCR. M10X1,5X45 U5739 8.8ZN	VIS 10X45 5739 8.G ZN	SCHRAUBE 10X45 5739 8.G ZN	TORNILLO 10X45 5739 8.G ZN
12	G16018572	BRACCIO SEGNAFILE DX	ROWMARKER ARM RIGHT			
13	G13812311	CATENELLA CON MOSCHETTONE ZN	CHAIN WITH SPRING CATCH	CHAINETTE AVEC MOUSQUETON	KETTE MIT KARABINERHAKEN	CADENA CON GANCHO
14	F02200507	SPINA A SCATTO D 9 B/83	SNAP PIN D9 B/83 ZN	FICHE A DETENTE D9 B/83 ZN	EINRASTSTIFT D9 B/83 ZN	CLAVIJA DE MUELLE D9 B/83 ZN
15	G15413010	SPINA 15X62 ZN	PIN 15X62 ZN	GOUPILLE 15X62 ZN	BOLZENSTIFT 15X62 ZN	PASADOR 15X62 ZN
16	F01410100	ROS.M16 17X 30X 3 U6592 ZN	WASHER M16 17X30X3 U6592 ZN	RONDELLE M16 17X30X3 U6592 ZN	SCHRAUBE M16 17X 30X3 U6592 ZN	ARANDELA M16 17X30X3 U6592 ZN
17	F02200194	COPIGLIA 4X 25 U1336 ZN	SPLIT PIN 4 X25 1336 GALVAN.	RONDELLE M16 17X30X3 U6592 ZN	SPLINT 4 X25 1336 ZN	PASADOR 4 X25 1336 ZN
18	F01020128	VITE M10X1,5X80 U5737 8.8ZN	SCR. M10X1,5X80 U5737 8.8ZN	VIS M10X1,5X80 U5737 8.8 ZN	SCHRAUBE M10X1,5X80 U5737 8.8	TORNIL.M10X1,5X80 U5737 8.8 ZN
19	G16011590	PERNO SEGNAFILE ZN	BOLT ROW MAKER ZN			
20	G15413110	CILINDRO SEGNAFILE SP COMPL.	ROW MARKER CYLINDER SP	CYLINDRE TRACEUR SP	SYLINDER REIHENANREISSER SP	CILINDRO MARCADOR DE FILAS
21	G65336078	MOLLA SPEC.ZN GUID.MICRO SV	SPEC.SPRING ZN MICRO GUIDE SV	RESSORT SPEC. ZN GUIDE MICRO S	SPEZIALFEDER ZN FSHR.MIKRO SV	MUELLE ESPEC. ZN GUA MICRO SVA
22	F01020068	VITE M8X1,25X40 U5737 8.8ZN	SCR. M8X1,25X40 U5737 8.8ZN	VIS M 8X1,25X40 U5737 8.8 ZN	SCHRA. M8X1,25X40 U5737 8.8 ZN	TORNIL.M8X1,25X40 U5737 8.8 ZN
23	F01220033	DADO M10X1,5 D980 8ZN	NUT M10X1,5 D980 8ZN	ECROU M10X 1,5 D980 8 ZN	MUTTER M10X 1,5 D980 8 ZN	TUERCA M10X 1,5 D980 8 ZN
24	G18701800	RONDELLA 35,5 X42 X0,5	WASHER 35,5 X42 X0,5	RONDELLE 35,5 X42 X0,5	UNTERLEGSCHLEIBE 35,5 X42 X0,5	ARANDELA 35,5 X42 X0,5
25	F01100011	ING.M 6X1 7663-A 9SMNPB28 ZN	GREASE NIPPLE M6X1 7663-A ZN	GRAISS. A BILLE M6X1 7663A ZN	SCHMIERBUECHE M6X1 7663-A ZN	ENGRAS. DE ESFERAS M6X1 7663-A
26	G15413020	SPINA 15X120 ZN	GALVANIZED PIN 15X120	GOUPILLE 15X120 ZN	STIFT 15X120 ZN	CLAVIJA 15X120 ZN
27	G18802250	BOCCOLA 15,25X30X30 ZN	BUSHING 15,25 X 30 X30 ZN	BOITE 15,25X30 X30 ZN	BÜCHSE 15,25X30 X30 ZN	CASQUILLO 15,25X30 X30 ZN
28	G16012810	ATTACCO MOLLA INFERIORE ZN	LOWER SPRING COUPLING	FIXATION RESSORT INF.	UNTERER KUPPLUNG FEDER	CONEXIN MUELLE INFERIOR
29	G65337004	MOLLA TRAZ.SOLLEV. FU	TRACTION SPRING LIFT. FU	RESSORT TRACT. LEVAGE FU	ZUGFEDER HEBUNG FU	MUELLE TRAC. LEVDEL. FU
30	F05150460	PARACOLPI CIL.D50X21 M10X26,5	RUBBER BUFFER- CYLINDR.D50X21	PARE-CHOC CYL. D50X21	PUFFER ZYL.50X21	PARAGOLPES CIL.D50X21
31	F01420060	ROS.M10 10,5X 30X2,5 U6593 ZN	WASHER 10,5X30	RONDELLE 10,5X30	SCHLEIBE 10,5X30	ARANDELA 10,5X30
32	F01200244	DADO M8X1,25 U5588 6.8ZN	NUT M8X1,25 U5588 6.8ZN	ECROU M8 X1,25 U5588 6.8 ZN	MUTTER M8 X1,25 U5588 6.8 ZN	TUERCA M8 X1,25 U5588 6.8 ZN
33	G23440517	TUBO 1/4R2 C-F 1/4 L2000 HL/ID	PIPE 1/4R2 C-F 1/4 L2000 HL/ID	TUBE 1/4R2 C-F 1/4 L2000 HL/ID	ROHR 1/4R2 C-F 1/4 L2000 HL/ID	TUBO 1/4R2 C-F 1/4 L2000 HL/ID
34	F03150211	NIPPLIO MM CIL-CIL 1/2-1/4 ZN	NIPLE MM CIL-CIL 1/4-1/2 ZN	NIPLE MM 1/4-1/2 ZN	NIPLE GG 1/4-1/2 ZN	NIPLE MM 1/4-1/2 ZN
35	F03151237	ROS. 21 X27X1,5 RAME -1/2"	COPPER WASHER 21X27X1,5 1/2	RONDELLE CUIVRE 21X27X1,5 1/2	SCHLEIBE KUPFER 21X27X1,5 1/2	ARANDELA COBRE 21X27X1,5 1/2
36	F03150935	INNESTO RAP.MASCH.1/2 A VALV.	QUICK CONNECT MALE CONE 1/2	CONNEXION RAPIDE MALE CONE 1/2	SCHNELLKUPP.GEWINDE KONISC 1/2	ACOPLAMIENTO RAP.MACHO CONO 1/2
37	F05150325	CAPPUC.F X INN.M RAP.1/2 ROSSO	COVER CONNECT F 1/2 RED	COUVERCLE CONNEXION F 1/2 ROSE	DECKEL W 1/2 SCHNELLKUPP. ROT	PAC PROTECCION F 1/2 ROJO
38	F20110745	CAV.Q.B=70 M=12X1,75L=96	U BOLT.Q.B=70 M=12X1,75 L=96	CAVALIER M12 POUR TUBE 70X70	BsGELBOLZEN M12 Fsr ROHR 70X70	PERNO EN U M12 X TUBO 70X70
39	G15412590	VALVOLA SEGNAFILE S.REG.COMPL	ROWMARKER VALVE ASSY.	SOUPAPE TRACEUR COMPL.	KOMPL. SPURREISSERVENTIL	VæLVULA MARC. DE FILAS COMPL
40	G20970142	RONDELLA 32X4X15,5	WASHER 32X4X15-5	RONDELLE 32X4X15-5	UNTERLEGSCHLEIBE 32X4X15-5	ARANDELA 32X4X15-5
41	F01220048	DADO M12X1,75 D980 8ZN	NUT M12X1,75 D980 8ZN	ECROU M12X1,75 D980 8 ZN	SCHLEIBE M12X1,75 D980 8 ZN	TUERCA M12X1,75 D980 8 ZN
42	G16018562	BRACCIO SEGNAFILE SX	ROWMARKER ARM LEFT			
43	F03100191	KIT GUARNIZ.CILINDRO 15413110	CYLINDER SEAL KIT 15413110	KIT GARNIT. CYLINDRE 15413110	KIT ZYLINDERDICHTUNG 15413110	KIT JUNTA CILINDRO 15413110
44	F01020476	VITE M10X1,5X30 U5739 8.8ZN	SCR. M10X1,5X30 U5739 8.8ZN	VIS M10X1,5X30 U5739 8.8 ZN	SCHRAUBE M10X1,5X30U5739 8.8ZN	TORNIL.M10X1,5X30 U5739 8.8 ZN
45	G16610160	SUPP.CUSCINETTI DISCO SEGN.ZN.	GALVAN. ROWMARKER DISK BEARING	SUPPORT ROULEMENTS DISQUE TRAC	SCHLEIBENLAGERHALTERUNG	SOPORTE COJINETE DE DISCO MARC
46	G16012650	TUBO R2 1/4 C-F L.4000	PIPE 1/4 R2 C-F 1/4 L.4000	TUBE 1/4 R2 C-F 1/4 L. 4000	ROHR 1/4 R2 C-F 1/4 L 4000	TUBO 1/4 R2 C-F 1/4 L.4000
47	F03150266	NIPPLIO MM CIL-CIL 1/4-1/4 ZN	NIPPLE GALV.CYL.MALE 1/4 ZN	NIPPLE MALE CYL. 1/4 ZN	NIPPELZYL.1/4 ZN	NIPLE MACHO CIL.1/4 ZN
48	F01500012	RONDELLA IN RAME 1/4"	COPPER WASHER 13X19X1,5-1/4"	RONDELLE	SCHLEIBE	ARANDELA
49	G15413050	STROZZATORE A PASTIGLIA D.0,8	PAD VENTURI D.0,8	ETRANGLEUR D.0,8	DROSSEL D.0,8	ESTRANGULADOR D.0,8
50	G19702710	DECAL.POSIZIONE STROZZATORE	VENTURI POSITION STICKER	DECAL.COM POSITION TAQUET	ABZIEHBILD POSIZION DROSSELSTE	CALCOMAN-A. POSICIÉN ESTRANGUL
51	G16611050	MONT.VALVOLA SEGNAFILE CN	ROWMARKER VALVE ASSY.	SOUPAPE TRACEUR COMPL.	KOMPL. SPURREISSERVENTIL	V-LVULA MARC. DE FILAS COMPL
52	G17111490	PERNO REGGIDISCO SEGN.MAGICA	ROWMARKER DISCHOLDER PIN			
53	F01060040	VITE M8X1,25X20 U5732 4.6ZG	SCR. M8X1,25X20 U5732 4.6ZG	VIS M8X1,25X20 U5732 4.6 ZN	SCHRA. M8X1,25X20 U5732 4.6 ZN	TORN. M8X1,25X20 U5732 4.6 ZN
54	G16610190	CHIUSURA CUSCINETTO ZN	END BEARING ZN			
55	F01230098	DADO M18X2,5 D982 8ZN	NUT M18X2,5 D982 8ZN	ECROU M18X 2,5 D982 8 ZN	MUTTER M18X 2,5 D982 8 ZN	TUERCA M18X 2,5 D982 8 ZN
56	G16610170	DISCO SEGNAFILE D.320	ROW MARKER DISK D.320	DISQUE TRACEUR D320	SPURREISSERSCHLEIBE D. 320	DISCO MARCADOR DE FILAS O 320
57	F03010576	ANELLO OR 50,52X1,78 NBR	GASKET OR 50,52X1,78 NBR	BAGUE OR 50,52X1,78 NBR	RING OR 50,52X1,78 NBR	ANILLO OR 50,52X1,78 NBR
58	F02050370	ANELLO E. DI 47X1,75 U7437 C70	SEEEGER RING 47X 1,75 U7437 C70	SEEEGER E. 47X 1,75 U7437 C70	SEEEGERING E. 47X 1,75 U7437 C70	ANILLO E. 47X 1,75 U7437 C70
59	G18801270	BOCCOLA 21 X25 X12 ZN B.	BUSHING 21 X25 X12 ZN			
60	F04010156	CUSC.d20 D47 B14 6204 2RSH	BEARING d20 D47 B14 6204 2RSH			

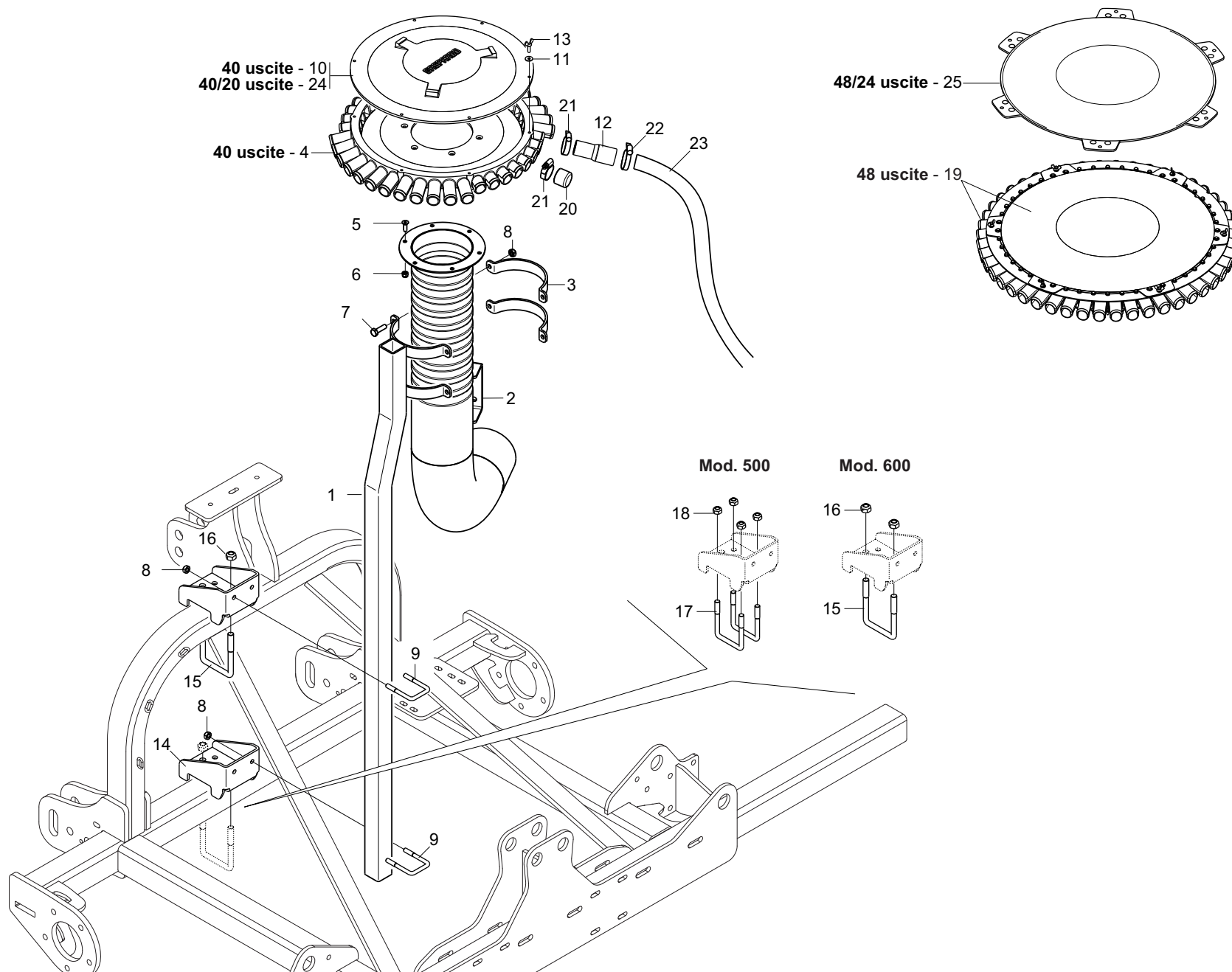
BARRA CEREALI PORTATA - MOUNTED CEREAL BAR

mod. 600



Pos.	Cod.	Descrizione	Description	Description	Benennung	Descripcion
1	G17111481	DISCO D.320 COMPL.MAGICA	DISK D.320 COMPLETE MAGICA			
2	F01200270	DADO M10X1,5 U5588 6.8ZN	NUT M10X1,5 U5588 6.8ZN	ECROU M10X 1,5 U5588 6.8 ZN	MUTTER M10X 1,5 U5588 6.8 ZN	TUERCA M10X 1,5 U5588 6.8 ZN
3	G19204230	SUPPORTO MANICOTTO TQ.50	SLEEVE SUPPORT TQ.50			
4	G16075410	BRACCIO TELES. SEGNAFILE	TELESCOPIC ROWMARKER ARM			
5	G17111290	MANICOTTO DISCO ZN	DISC SLEEVE U BOLT	MANCHON DISQUE	SCHLEIFENMUFFE	MANGUITO DISCO
6	F20110865	CAV.T.M10X 1,5X30 46X168,5ZN	U BOLT T.M10X1,5X30 46X168,5	ETRIER EN U M10 ZN	U-BOLZEN M10 ZN	PERNO EN U M10 ZN
7	G16012950	ZAVORRA	BALLAST	LEST	BALLAST	CONTRAPESO
8	F01020484	VITE M10X1,5X45 U5739 8.8ZN	SCR. M10X1,5X45 U5739 8.8ZN	VIS 10X45 5739 8.G ZN	SCHRAUBE 10X45 5739 8.G ZN	TORNILLO 10X45 5739 8.G ZN
9	F02200507	SPINA A SCATTO D 9 B/83	SNAP PIN D9 B/83 ZN	FICHE A DETENTE D9 B/83 ZN	EINRASTSTIFT D9 B/83 ZN	CLAVIJA DE MUELLE D9 B/83 ZN
10	F05150325	CAPPUC.F X INN.M RAP.1/2 ROSSO	COVER CONNECT F 1/2 RED	COUVERCLE CONNEXION F 1/2 ROSE	DECKEL W 1/2 SCHNELLKUPP. ROT	PAC PROTECCION F 1/2 ROJO
11	F03150935	INNESTO RAP.MASCH.1/2 A VALV.	QUICK CONNECT MALE CONE 1/2	CONNEXION RAPIDE MALE CONE 1/2	SCHNELLKUPP.GEWINDE KONISC 1/2	ACOPLAMIENTO RAP.MACHO CONO 1/2
12	F03151237	ROS. 21 X27X1,5 RAME -1/2"	COPPER WASHER 21X27X1,5 1/2	RONDELLE CUIVRE 21X27X1,5 1/2	SCHLEIBE KUPFER 21X27X1,5 1/2	ARANDELA COBRE 21X27X1,5 1/2
13	F03150211	NIPPLO MM CIL-CIL 1/2-1/4 ZN	NIPLE MM CIL-CIL 1/4-1/2 ZN	NIPLE MM 1/4-1/2 ZN	NIPLE GG 1/4-1/2 ZN	NIPLE MM 1/4-1/2 ZN
14	G16074860	BRACCIO SEGNAFILE	ROWMARKER ARM			
15	F02200463	SPINA SCATTO D. 5 B/81 ZN	SNAP PIN D5 B/81 ZN	FICHE A DETENTE D5 B/81 ZN	EINRASTSTIFT D5 B/81 ZN	CLAVIJA DE MUELLE D5 B/81 ZN
16	G07002569	PERNO 14 X68 ZN	PIN	PIVOT	ZAPFEN	PERNO
17	F20110770	CAV.Q.B=80 M=14X2 L=119	U BOLT Q.B=80 M=14X2 L=119	BRIDE U M14X2X50 96X119 ZN	ANSCHLANG U M14X2X50 96X119 ZN	EL.DE EMPALME M14X2X50 96X119
18	F01200244	DADO M8X1,25 U5588 6.8ZN	NUT M8X1,25 U5588 6.8ZN	ECROU M8 X1,25 U5588 6.8 ZN	MUTTER M8 X1,25 U5588 6.8 ZN	TUERCA M8 X1,25 U5588 6.8 ZN
19	F01410088	ROS.M14 15X 28X2,5 U6592 ZN	WAS.M14 15X 28X2,5 U6592 ZB	RON.M14 15X 28X2,5 U6592 ZB	SCH.M14 15X 28X2,5 U6592 ZB	ARA.M14 15X 28X2,5 U6592 ZB
20	F01220255	DADO M14X2 D980 8ZN	NUT M14X2 D980 8ZN	ECROU TRISTOP M14X2 D980 8 ZN	MUTTER TRISTOP M14X2 D980 8 ZN	TUERCA TRISTOP M14X2 D980 8 ZN
21	G65337004	MOLLA TRAZ.SOLLEV. FU	TRACTION SPRING LIFT. FU	RESSORT TRACT. LEVAGE FU	ZUGFEDER HEBUNG FU	MUELLE TRAC. LEVDEL. FU
22	F01220033	DADO M10X1,5 D980 8ZN	NUT M10X1,5 D980 8ZN	ECROU M10X 1,5 D980 8 ZN	MUTTER M10X 1,5 D980 8 ZN	TUERCA M10X 1,5 D980 8 ZN
23	G16011590	PERNO SEGNAFILE ZN	BOLT ROW MAKER ZN			
24	F01020128	VITE M10X1,5X80 U5737 8.8ZN	SCR. M10X1,5X80 U5737 8.8ZN	VIS M10X1,5X80 U5737 8.8 ZN	SCHRAUBE M10X1,5X80 U5737 8.8	TORNIL.M10X1,5X80 U5737 8.8 ZN
25	F02200194	COPIGLIA 4X 25 U1336 ZN	SPLIT PIN 4 X25 1336 GALVAN.	GOUPILLE 4 X25 1336 ZN	SPLINT 4 X25 1336 ZN	PASADOR 4 X25 1336 ZN
26	F01410100	ROS.M16 17X 30X 3 U6592 ZN	WASHER M16 17X30X3 U6592 ZN	RONDELLE M16 17X30X3 U6592 ZN	SCHRAUBE M16 17X 30X3 U6592 ZN	ARANDELA M16 17X30X 3 U6592 ZN
27	G15413010	SPINA 15X62 ZN	PIN 15X62 ZN	GOUPILLE 15X62 ZN	BOLZENSTIFT 15X62 ZN	PASADOR 15X62 ZN
28	F18701800	RONDELLA 35,5 X42 X0,5	WASHER 35,5 X42 X0,5	RONDELLE 35,5 X42 X0,5	UNTERLEGSCHLEIBE 35,5 X42 X0,5	ARANDELA 35,5 X42 X0,5
29	F04150053	CUSCINETTO GSM-3539-30	BEARING GSM-3539-30			
30	F01100011	ING.M 6X1 7663-A 9SMNPB28 ZN	GREASE NIPPLE M6X1 7663-A ZN	GRAISS. A BILLE M6X1 7663A ZN	SCHMIERBUECHE M6X1 7663-A ZN	ENGRAS. DE ESFERAS M6X1 7663-A
31	G16012810	ATTACCO MOLLA INFERIORE ZN	LOWER SPRING COUPLING	FIXATION RESSORT INF.	UNTERER KUPPLUNG FEDER	CONEXIN MUELLE INFERIOR O
32	G18802250	BOCCOLA 15,25X30X30 ZN	BUSHING 15,25 X 30 X30 ZN	BOITE 15,25X30 X30 ZN	BÜCHSE 15,25X30 X30 ZN	CASQUILLO 15,25X30 X30 ZN
33	G15413020	SPINA 15X120 ZN	GALVANIZED PIN 15X120	GOUPILLE 15X120 ZN	STIFT 15X120 ZN	CLAVIJA 15X120 ZN
34	F05150459	PARACOLPI CIL.75X25 M12 SH70	CYLINDER GUARD 75X25 M12 SH71	TAMPON CIL. 75X25 M12	PUFFER CIL. 75X25 M12	PARACHOQ. CIL. 75X25 M12
35	F01020512	VITE M12X1,75X35 U5739 8.8ZN	SCR. M12X1,75X35 U5739 8.8ZN	VIS M12X1,75X35 5739 8.8 ZN	SCHR. M12X1,75X35 5739 8.8 ZN	TORN. M12X1,75X35 5739 8.8 ZN
36	G16075810	SUPPORTO APPOGGIO SEGNAFILE	ROWMARKER SUPPORT REST			
37	F01200293	DADO M12X1,75 U5588 6.8ZN	NUT M12X1,75 U5588 6.8ZN	ECROU M12X1,75 U5588 6.8 ZN	MUTTER M12X1,75 U5588 6.8 ZN	TUERCA M12X1,75 U5588 6.8 ZN
38	F01020476	VITE M10X1,5X30 U5739 8.8ZN	SCR. M10X1,5X30 U5739 8.8ZN	VIS M10X1,5X30 U5739 8.8 ZN	SCHRAUBE M10X1,5X30 U5739 8.8ZN	TORNIL.M10X1,5X30 U5739 8.8 ZN
39	F01420060	ROS.M10 10,5X 30X2,5 U6593 ZN	WASHER 10,5X30	RONDELLE 10,5X30	SCHLEIBE 10,5X30	ARANDELA 10,5X30
40	G65336078	MOLLA SPEC.ZN GUID.MICRO SV	SPEC.SPRING ZN MICRO GUIDE SV	RESSORT SPEC. ZN GUIDE MICRO S	SPEZIALFEDER ZN FSHR.MIKRO SV	MUELLE ESPEC. ZN GUA MICRO SVA
41	G13812311	CATENELLA CON MOSCHETTONE ZN	CHAIN WITH SPRING CATCH	CHAINETTE AVEC MOUSQUETON	KETTE MIT KARABINERHAKEN	CADENA CON GANCHO
42	F01220048	DADO M12X1,75 D980 8ZN	NUT M12X1,75 D980 8ZN	ECROU M12X1,75 D980 8 ZN	SCHLEIBE M12X1,75 D980 8 ZN	TUERCA M12X1,75 D980 8 ZN
43	F05150460	PARACOLPI CIL.D50X21 M10X26,5	RUBBER BUFFER- CYLINDR.D50X21	PARE-CHOCS CYL. D50X21	PUFFER ZYL.50X21	PARAGOLPES CIL.D50X21
44	G15413110	CILINDRO SEGNAFILE SP COMPL.	ROW MARKER CYLINDER SP	CYLINDRE TRACEUR SP	SYLINDER REIHENANREISSER SP	CILINDRO MARCADOR DE FILAS
45	G15413080	TUBO 1/4 C-F L.4650	TUBE 1/4 C-F L.4650	TUBE 1/4 C-F L.4650	ROHR 1/4 C-F L.4650	TUBO 1/4 C-F L.4650
46	G22505140	TUBO 1/4R2 C-F 1/4 L.2350 LM	TUBE 1/4R1 C-F 1/4 L.2350 LM			
47	F01020451	VITE M8X1,25X45 U5739 8.8ZN	SCR. M8X1,25X45 U5739 8.8ZN	VIS M 8X45	SCHRAUBE M 8X45	TORNILLO M 8X45
48	F03150859	CURVA 90° F.GIREV.1/4 - M.1/4	ELBOW 90° F. SWIVEL 1/4 - M.1/4	COUDE 90° F.TOURN.1/4 - M.1/4	KNIESTSCK 90° F.DREHB.1/4 - M.	CURVA 90 F.GIRAT.1/4 - M.1/4
49	G15412351	SUPPORTO VALVOLA	VALVE SUPPORT			
50	G16611050	MONT.VALVOLA SEGNAFILE CN	ROWMARKER VALVE ASSY.	SOUPAPE TRACEUR COMPL.	KOMPL. SPURREISSERVENTIL	V-LVULA MARC. DE FILAS COMPL

BARRA CEREALI PORTATA - MOUNTED CEREAL BAR



TESTE DI DISTRIBUZIONE
TAV. 410

Pos.	Cod.	Descrizione	Description	Description	Benennung	Descripcion
1	G17322080	ASS.SUPPORTO TUBO MISCELATORE	ASS.SUPP.MIXER TUBE			
2	G17322120	ASS.TUBO MISCELAT.D.150X975 C.	LONG MIXER TUBE BEND 90°			
3	G16124400	FASCETTA TUBO D.150	STRAP PIPE D.150 ZN	COLLIER SERRAGE TUBE D.150 ZN	ROHRSCHELLE D.150 ZN	ABRAZADERA TUBO D.150 ZN
4	G17920212	DISTRIBUTORE 40 U.	DISTRIBUTOR 40 OUTPUT			
5	F01030056	VITE M8X1,25X25 U5933 10.9ZD	SCR. M8X1,25X25 U5933 10.9ZD	VIS 8X25 5933 10.9 ZN	SCHRAUBE 8X25 5933 10.9 ZN	TORNILLO 8X25 5933 10.9 ZN
6	F01230034	DADO M8X1,25 D982 8	NUT M8X1,25 D982 8	ECROU M8X 1,25 D982 8 ZN	MUTTER M8X 1,25 D982 8 ZN	TUERCA M8X 1,25 D982 8 ZN
7	F01020479	VITE M10X1,5X35 U5739 8.8ZN	SCR. M10X1,5X35 U5739 8.8ZN	VIS M10X1,5X35 U5739 8.8 ZN	SCHR. M10X1,5X35 U5739 8.8 ZN	TORN. M10X1,5X35 U5739 8.8 ZN
8	F01220033	DADO M10X1,5 D980 8ZN	NUT M10X1,5 D980 8ZN	ECROU M10X 1,5 D980 8 ZN	MUTTER M10X 1,5 D980 8 ZN	TUERCA M10X 1,5 D980 8 ZN
9	F20110715	CAV.Q.B=50 M=10X1,5 L=80	UBOLTSTRIKER Q.B=50M10X1,5L=80	BUTEE M10X 1,5X 30 61X 80 ZB	ANSCHLAG M10X 1,5X 30 61X 80	EL. DE EMPALME M10X 1,5X 30
10	G17920200	COPERCHIO DISTRIBUTORE 40 U.	DISTRIBUTOR COVER 40 OUTPUTS	COUVERCLE DISTRIBUTEUR 40 SORT	DECKEL SZAPPARAT 40 AUSGZNG	TAPA DISTRIBUIDOR 40 SALIDAS
11	F01420036	ROS.M6 6,4X 18X 2 U6593 ZN	WASHER M6 6,4X 18X2 U6593 ZN	RONDELLE M6 6,4X18X2 2 U6593ZN	SCHEIBEN M6 6,4X18X 2 U6593 ZN	ARANDELA M6 6,4X18X2 U6593 ZN
12	F05150361	RIDUZIONE	REDUCTION			
13	F01090203	VITE M6X1X20 U5449 ZN	SCR. M6X1X20 U5449 ZN	VIS M 6X 1X 20 U5449 ZG	SCHRAUBE M 6X 1X 20 U5449	TORNIL. M 6X 1X 20 U5449
14	G16075930					
15	F20110770	CAV.Q.B=80 M=14X2 L=119	U BOLT Q.B=80 M=14X2 L=119	BRIDE U M14X2X50 96X119 ZN	ANSCHLANG U M14X2X50 96X119 ZN	EL.DE EMPALME M14X2X50 96X119
16	F01220255	DADO M14X2 D980 8ZN	NUT M14X2 D980 8ZN	ECROU TRISTOP M14X2 D980 8 ZN	MUTTER TRISTOP M14X2 D980 8 ZN	TUERCA TRISTOP M14X2 D980 8 ZN
17	F20110745	CAV.Q.B=70 M=12X1,75L=96	U BOLT Q.B=70 M=12X1,75 L=96	CAVALIER M12 POUR TUBE 70X70	BsGELBOLZEN M12 Fsr ROHR 70X70	PERNO EN U M12 X TUBO 70X70
18	F01220048	DADO M12X1,75 D980 8ZN	NUT M12X1,75 D980 8ZN	ECROU M12X1,75 D980 8 ZN	SCHEIBE M12X1,75 D980 8 ZN	TUERCA M12X1,75 D980 8 ZN
19	G68005165	DISTRIBUTORE 48U COMPL	DISTRIBUTOR 48 OUTPUTS			
20	G66248098	TAPPO CONVOGLIATORE DEPR. SP	AIR PUMP CONVEYOR PLUG SP	BOUCHON CONVOYEUR TURBINE SP	VAKUUM FTRDERPFROPFEN SP	TAPN CONDUCTOR DEPR. SP D
21	F02300018	FASCETTA STRING. 25/40 H.8	CLAMP 25/40 H.8	GAINE 25/40 H.8	KLEMME 25/40 H.8	BRAZADERA 25/40 H.8
22	F02300020	FASCETTA STRING. 32/50 H.9	HOSE CLAMP 32/50 H.9			
23	F03100530	TUBO EOLO PU-P D.32	EOLO TUBE PU-P D.32			
24	G16024271	COPERCHIO DISTRIBUT.40/20 COMP	DISTRIBUTOR COVER 40/20			
25	G16025220					

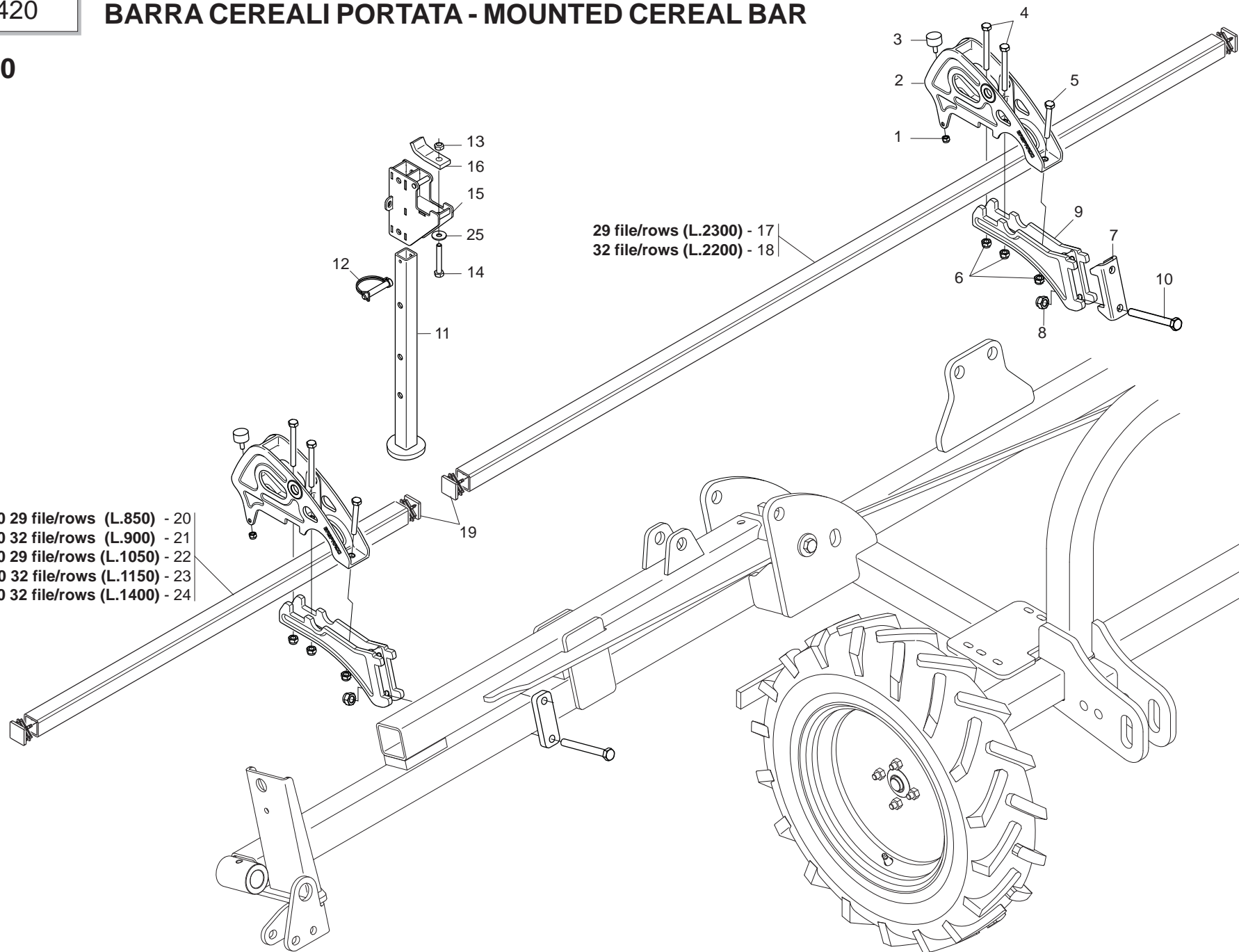
TAV. 420

BARRA CEREALI PORTATA - MOUNTED CEREAL BAR

mod. 500

- mod. 400 29 file/rows (L.850) - 20
- mod. 400 32 file/rows (L.900) - 21
- mod. 450 29 file/rows (L.1050) - 22
- mod. 450 32 file/rows (L.1150) - 23
- mod. 500 32 file/rows (L.1400) - 24

- 29 file/rows (L.2300) - 17
- 32 file/rows (L.2200) - 18

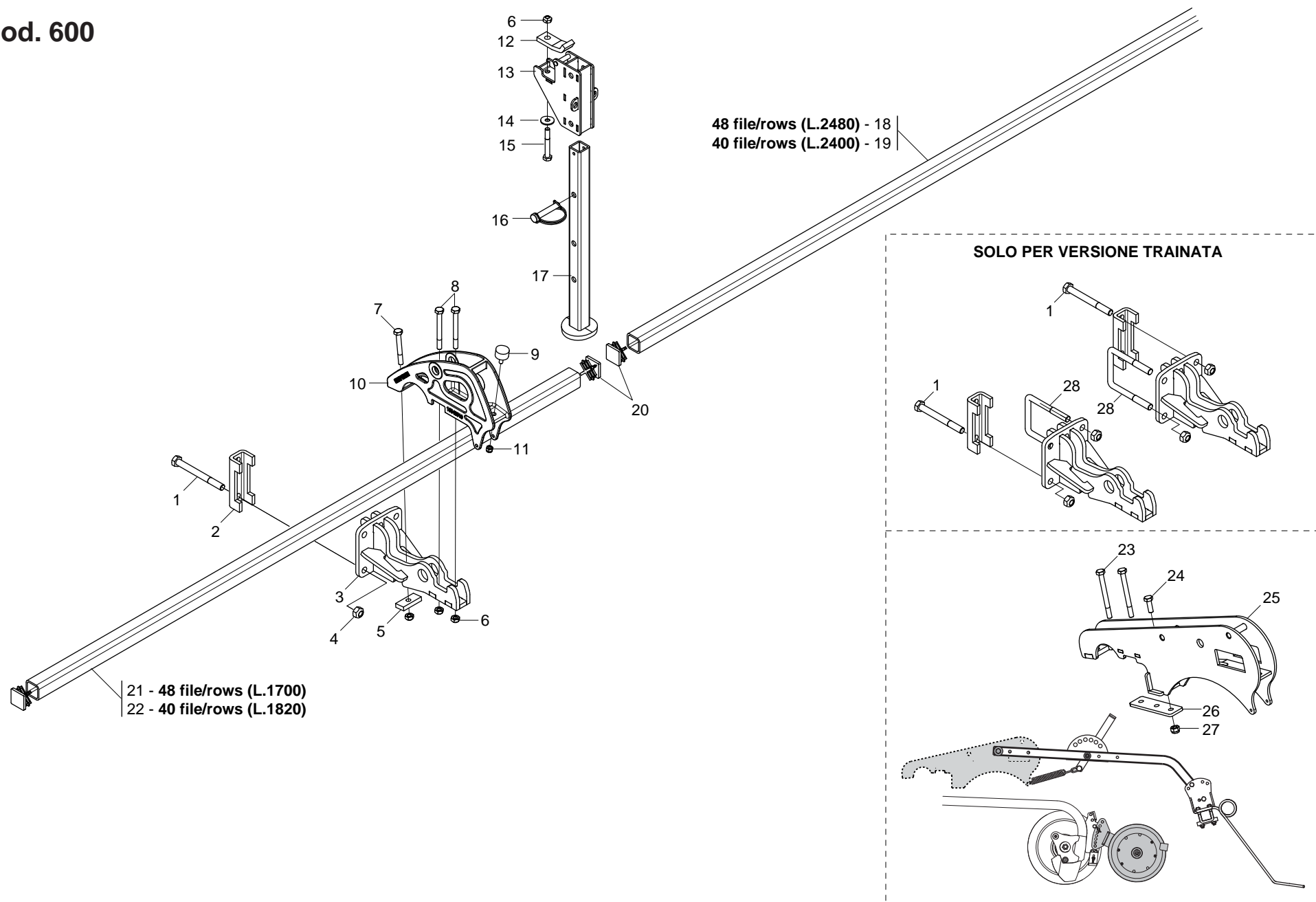


TELAIO PORTA ELEMENTI ASSOLCATORI «mod. 500»
TAV. 420

Pos.	Cod.	Descrizione	Description	Description	Benennung	Descripcion
1	F01230034	DADO M8X1,25 D982 8	NUT M8X1,25 D982 8	ECROU M8X 1,25 D982 8 ZN	MUTTER M8X 1,25 D982 8 ZN	TUERCA M8X 1,25 D982 8 ZN
2	G16043510	SUPP.BRACCIO ERPICE COPRISEME	ARM SUPP.SEEDCOVER HARROW			
3	F05150456	PARACOLPI 30X15 M8X25	BUFFER 30X17 M8X21	PARE-CHOC30X17 M8X21	STOSSDZMPFER 30X17 M8X21	PARAGOLPES 30X17 M8X21
4	F01020133	VITE M10X1,5X100 U5737 8.8ZN	SCR. M10X1,5X100 U5737 8.8ZN	VIS 10X100 5737 8.G ZN	SCHRAUBE 10X100 5737 8.G ZN	TORNILLO 10X100 5737 8.G ZN
5	F01020128	VITE M10X1,5X80 U5737 8.8ZN	SCR. M10X1,5X80 U5737 8.8ZN	VIS M10X1,5X80 U5737 8.8 ZN	SCHRAUBE M10X1,5X80 U5737 8.8	TORNIL.M10X1,5X80 U5737 8.8 ZN
6	F01230048	DADO M10X1,5 D982 8ZN	NUT M10X1,5 D982 8ZN	ECR.AUTO-FREIN.M10X1,5 D982 ZN	SICHERUNGSMUTT.M10X1,5 D982 ZN	TUERCA SEGURID.M10X1,5 D982 ZN
7	G16740160	SCONTRO A U SP.8 2F15 84	FLANGE U SHIMS 8 2F15 84	BUTEE EN U CALE 8 2F15 84	U-ANSCHLAG DICKE 8 2F15 84	ELEM. DE EMPAL.U ESP.8 2F15 84
8	F01230073	DADO M14X2 D982 8ZN	NUT M14X2 D982 8ZN	ECROU AUTOBL. M14X2 D982 8 ZN	SELBSTSP.MUTT. M14X2 D982 8 ZN	TUERCA AUTOBL. M14X2 D982 8 ZN
9	G19204320	SUPP.BARRA DI SEMINA	SEED BAR SUPPORT			
10	F01020218	VITE M14X2X130 U5737 8.8ZN	SCR. M14X2X130 U5737 8.8ZN	VIS M 14X130	SCHRAUBE M 14X130	TORNILLO M 14X130
11	G15112691	PUNTELLO ST250	PROP ST250			
12	F02200584	SPINA SICUR. D. 12X70 ZN	PIN D12 L70 ZN	FICHE D12 L70 ZN	STIFT D12 L70 ZN	CLAVIJA D12 L70 ZN
13	F01220033	DADO M10X1,5 D980 8ZN	NUT M10X1,5 D980 8ZN	ECROU M10X 1,5 D980 8 ZN	MUTTER M10X 1,5 D980 8 ZN	TUERCA M10X 1,5 D980 8 ZN
14	F01020122	VITE M10X1,5X70 U5737 8.8ZN	SCR. M10X1,5X70 U5737 8.8ZN	VIS M10X1,5X70 U5737 8.8 ZN	SCHRA.M10X1,5X70 U5737 8.8 ZN	TORN. M10X1,5X70 U5737 8.8 ZN
15	G16041472	ASS.SUPPORTO PUNTELLO	ASS.PROP SUPPORT			
16	G16015981	SCONTRO DI FISSAGGIO ZN	SECURING STOP TEETH	BUTEE DE FIXATION	FESTANSCHLAG	DIENTE DE PARADA DE FIJACIÉN
17	G17912340	TUBO Q. 40X 4X2300 2F6	TUBE Q. 40X 4X2300			
18	G16010480	TUBO Q. 40X 4X2200	SQUARE PIPE 40X2200	TUBE CARRE 40X2200	VIERKANTROHR 40X2200	TUBO CUADRADO 40X2200
19	F20120348	PUNTALE Q.40 NERO	SQUARE TIP 40 BLACK			
20	G13641890	TUBO Q. 40X 4X 850 1F8	PIPE Q.40X4X 850			
21	G16010490	TUBO Q. 40X 4X 900	PIPE 40X40X4 L.900			
22	G16071400	TUBO Q. 40X 4X1050	TUBE Q. 40X 4X1050			
23	G16011050	TUBO Q. 40X 4X1150 1F6	SQUARE PIPE 40X4X1150	TUBE CARRE 40X4X1150	VIERKANTROHR 40X4X1150	TUBO CUADRADO 40X4X1150
24	G16071030	TUBO Q. 40X 4X1400	TUBE Q. 40X 4X1400			
25	F01420060	ROS.M10 10,5X 30X2,5 U6593 ZN	WASHER 10,5X30	RONDELLE 10,5X30	SCHEIBE 10,5X30	ARANDELA 10,5X30

BARRA CEREALI PORTATA - MOUNTED CEREAL BAR

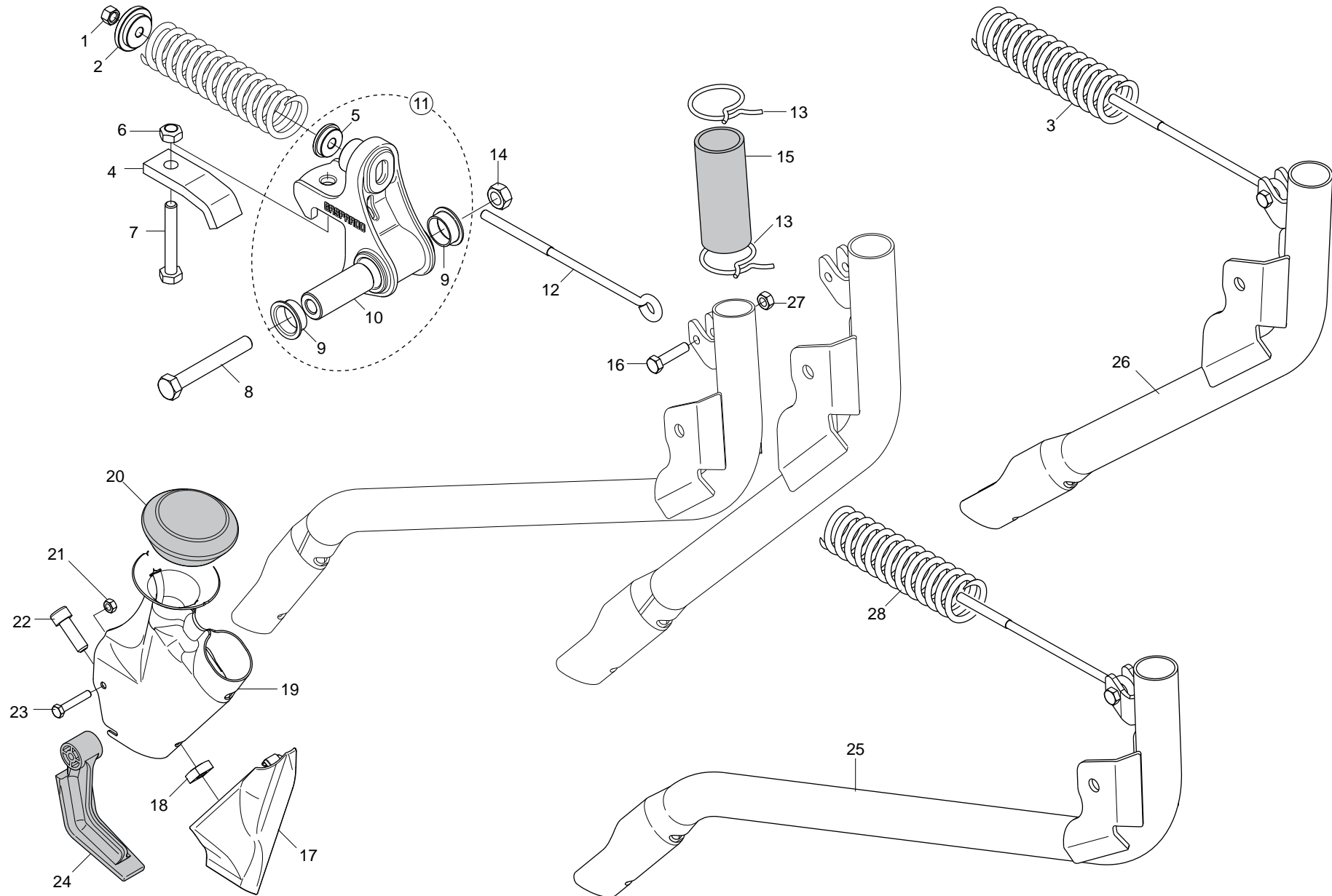
mod. 600



TELAIO PORTA ELEMENTI ASSOLCATORI «mod. 600»
TAV. 430

Pos.	Cod.	Descrizione	Description	Description	Benennung	Descripcion
1	F01020221	VITE M14X2X140 U5737 8.8BR	SCR. M14X2X140 U5737 8.8BR	VIS M 14 X140 5737 8.G	SCHRAUBE M 14 X140 5737 8.G	TORNILLO M 14 X140 5737 8.G
2	G36200241	SCONTRO U Q.80	FLANGE 'U' 80	BRIDE 'U' 80	ANSCHLAG 'U' 80	ELEMENTO DE EMPALME 'U' 80
3	G16075060	SUPPORTO BARRA DI SEMINA	SEED SUPPORT BAR			
4	F01220255	DADO M14X2 D980 8ZN	NUT M14X2 D980 8ZN	ECROU TRISTOP M14X2 D980 8 ZN	MUTTER TRISTOP M14X2 D980 8 ZN	TUERCA TRISTOP M14X2 D980 8 ZN
5	G16071640	PIASTRINA DI ANCORAGGIO ZN	ANCHORING PLATE			
6	F01220033	DADO M10X1,5 D980 8ZN	NUT M10X1,5 D980 8ZN	ECROU M10X 1,5 D980 8 ZN	MUTTER M10X 1,5 D980 8 ZN	TUERCA M10X 1,5 D980 8 ZN
7	F01020128	VITE M10X1,5X80 U5737 8.8ZN	SCR. M10X1,5X80 U5737 8.8ZN	VIS M10X1,5X80 U5737 8.8 ZN	SCHRAUBE M10X1,5X80 U5737 8.8	TORNIL.M10X1,5X80 U5737 8.8 ZN
8	F01020133	VITE M10X1,5X100 U5737 8.8ZN	SCR. M10X1,5X100 U5737 8.8ZN	VIS 10X100 5737 8.G ZN	SCHRAUBE 10X100 5737 8.G ZN	TORNILLO 10X100 5737 8.G ZN
9	F05150456	PARACOLPI 30X15 M8X25	BUFFER 30X17 M8X21	PARE-CHOCS 30X17 M8X21	STOSSDZMPFER 30X17 M8X21	PARAGOLPES 30X17 M8X21
10	G16043510	SUPP.BRACCIO ERPICE COPRISEME	ARM SUPP.SEEDCOVER HARROW			
11	F01230034	DADO M8X1,25 D982 8	NUT M8X1,25 D982 8	ECROU M8X 1,25 D982 8 ZN	MUTTER M8X 1,25 D982 8 ZN	TUERCA M8X 1,25 D982 8 ZN
12	G16015981	SCONTRO DI FISSAGGIO ZN	SECURING STOP TEETH	BUTEE DE FIXATION	FESTANSCHLAG	DIENTE DE PARADA DE FIJACIÉN
13	G16041472	ASS.SUPPORTO PUNTELLO	ASS.PROP SUPPORT			
14	F01420060	ROS.M10 10,5X 30X2,5 U6593 ZN	WASHER 10,5X30	RONDELLE 10,5X30	SCHEIBE 10,5X30	ARANDELA 10,5X30
15	F01020125	VITE M10X1,5X75 U5737 8.8ZN	SCR. M10X1,5X75 U5737 8.8ZN	VIS 10X75 5737 8.G ZN	SCHRAUBE 10X75 5737 8.G ZN	TORNILLO 10X75 5737 8.G ZN
16	F02200584	SPINA SICUR. D. 12X70 ZN	PIN D12 L70 ZN	FICHE D12 L70 ZN	STIFT D12 L70 ZN	CLAVIJA D12 L70 ZN
17	G15112691	PUNTELLO ST250	PROP ST250			
18	G16340170	TUBO Q. 40X 4X2480	TUBE Q. 40X 4X2480			
19	G13723060	TUBO SUPP.SERBATOIO HS L.2400	TANK SUPP. TUBE L.2400	TUBE SUPP. RESERVOIRS L.2400	ROHR BEHZLTERHALTERUNG L.2400	TUBO SOP.DEPOSITOS L.2400
20	F20120348	PUNTALE Q.40 NERO	SQUARE TIP 40 BLACK			
21	G17916490	TUBO Q.40X4X1700	SQUARE TUBE 40X4X1700			
22	G17914960	TUBO Q.40X4X1820	SQUARE TUBE 40X4X1820			
23	F01020135	VITE M10X1,5X110 U5737 8.8ZN	SCR. M10X1,5X110 U5737 8.8ZN	VIS M 10X110	SCHRAUBE M 10X110	TORNILLO M 10X110
24	F01020476	VITE M10X1,5X30 U5739 8.8ZN	SCR. M10X1,5X30 U5739 8.8ZN	VIS M10X1,5X30 U5739 8.8 ZN	SCHRAUBE M10X1,5X30U5739 8.8ZN	TORNIL.M10X1,5X30 U5739 8.8 ZN
25	G16074370	SUPPORTO BRACCIO ERPICE	HARROW ARM SUPPORT			
26	G16074580	SCONTRO 135X 40- 6 3F11 51-46	PLATE135X40-6 3HOLES11 51-46			
27	F01230048	DADO M10X1,5 D982 8ZN	NUT M10X1,5 D982 8ZN	ECR.AUTO-FREIN.M10X1,5 D982 ZN	SICHERUNGSMUTT.M10X1,5 D982 ZN	TUERCA SEGURID.M10X1,5 D982 ZN
28	F20110770	CAV.Q.B=80 M=14X2 L=119	U BOLT Q.B=80 M=14X2 L=119	BRIDE U M14X2X50 96X119 ZN	ANSCHLANG U M14X2X50 96X119 ZN	EL.DE EMPALME M14X2X50 96X119

BARRA CEREALI PORTATA - MOUNTED CEREAL BAR

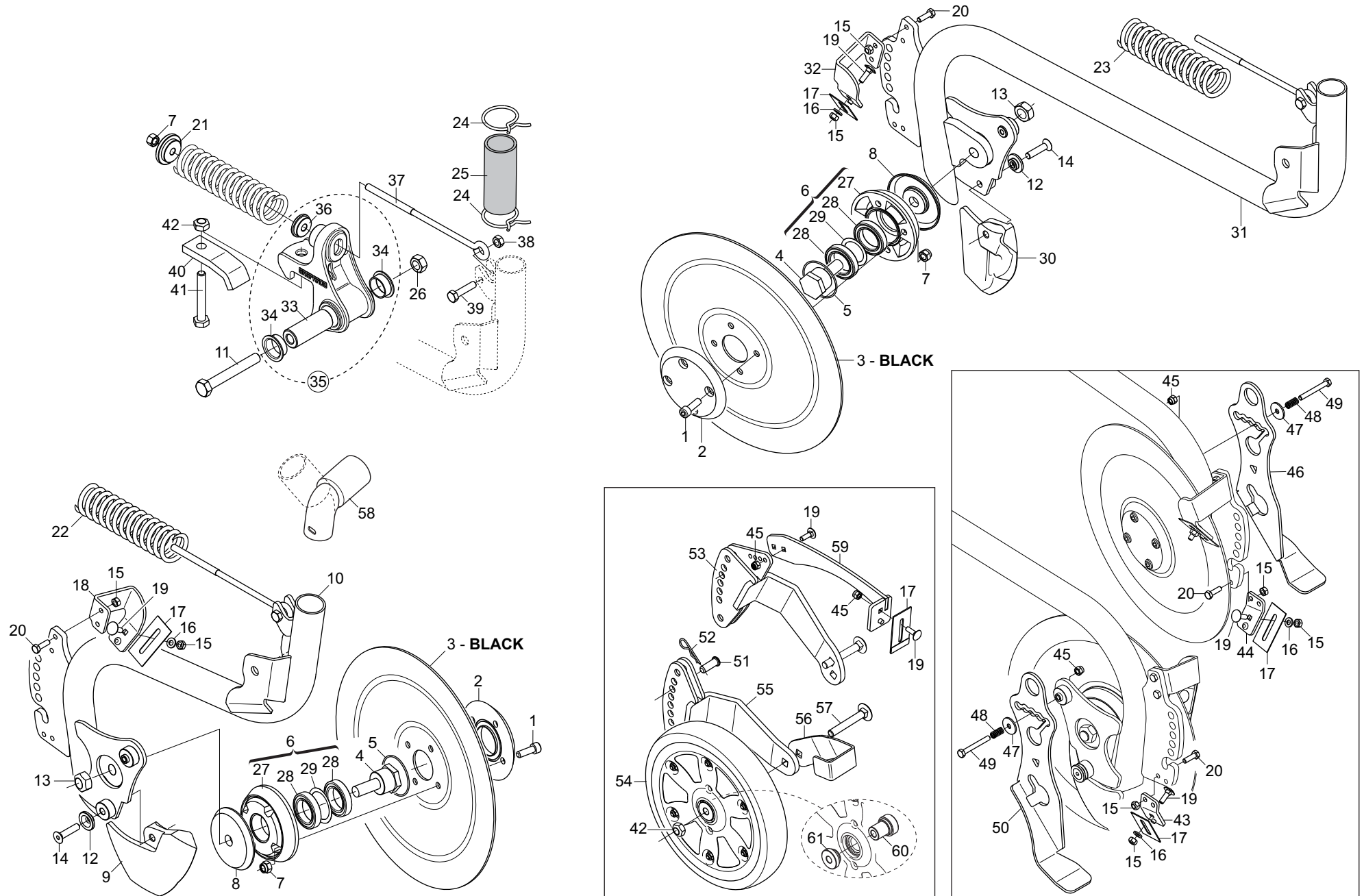


ASSOLCATORI A STIVALETTO

TAV. 440

Pos.	Cod.	Descrizione	Description	Description	Benennung	Descripcion
1	F01230034	DADO M8X1,25 D982 8	NUT M8X1,25 D982 8	ECROU M8X 1,25 D982 8 ZN	MUTTER M8X 1,25 D982 8 ZN	TUERCA M8X 1,25 D982 8 ZN
2	G16041260	FONDELLO ZN	BOTTOM GALV.ED			
3	G18904420	MOLLA TENSIONE ASSOLCATORI ZN	ZN VOLTAGE COULTER SPRING			
4	G16015981	SCONTRIO DI FISSAGGIO ZN	SECURING STOP TEETH	BUTEE DE FIXATION	FESTANSCHLAG	DIENTE DE PARADA DE FIJACIÉN
5	G19006510	BOCCOLA GUIDA TIRANTE	BUSHING TIE-ROD GUIDE			
6	F01220033	DADO M10X1,5 D980 8ZN	NUT M10X1,5 D980 8ZN	ECROU M10X 1,5 D980 8 ZN	MUTTER M10X 1,5 D980 8 ZN	TUERCA M10X 1,5 D980 8 ZN
7	F01020125	VITE M10X1,5X75 U5737 8.8ZN	SCR. M10X1,5X75 U5737 8.8ZN	VIS 10X75 5737 8.G ZN	SCHRAUBE 10X75 5737 8.G ZN	TORNILLO 10X75 5737 8.G ZN
8	F01020168	VITE M12X1,75X90 U5737 8.8ZN	SCR. M12X1,75X90 U5737 8.8ZN	VIS M12X1,75X90 U5737 8.8 ZN	SCHRAB.M12X1,75X90 5737 8.8 ZN	TORNIL.M12X1,75X90 5737 8.8 ZN
9	F04150034	CUSCINETTO FLANGIATO 25X28X16	BEARING FLANGED 25X28X16			
10	G18802740	BOCCOLA 12X25X63,5	BUSHING 25X12X63,5	BOITE 25X12X63,5	BUCHSE 25X12X63,5	CASQUILLO 25X12X63,5
11	G16043680	SUPPORTO ASSOLCATORE COMPL.	FURROW SUPPORT COMPL.			
12	G16041251	TIRANTE	TIE ROD			
13	G65336001	MOLLA SPEC.ZN STRING.CONC. SP	SPEC SPRING ZN MAN. PIPE CLAMP	RESSORT SPEC. ZN SERRE-TUBE LO	SPEZIALFEDER ZN DsNGERSCHELLE.	MUELLE ESPEC. ZN APLASTA ABONO
14	F01220048	DADO M12X1,75 D980 8ZN	NUT M12X1,75 D980 8ZN	ECROU M12X1,75 D980 8 ZN	SCHEIBE M12X1,75 D980 8 ZN	TUERCA M12X1,75 D980 8 ZN
15	G19005340	MANICOTTO DI GIUNZIONE	JOINT SLEEVE	MANCHON DE RACCORD	VERBINDUNGSMUFFE	MANGUITO DE UNIN
16	F01020063	VITE M8X1,25X35 U5737 8.8ZN	SCR. M8X1,25X35 U5737 8.8ZN	VIS 8 X35 5737 8.G ZN	SCHRAUBE 8 X35 5737 8.G ZN	TORNILLO 8 X35 5737 8.G ZN
17	G16243960	FALCIONE SCARP.TAGLIENTE	SUFFOLK KNIFE COULTER			
18	F01270010	DADO M10X1,517X8 D557 ZN	NUT M10X1,517X8 D557 ZN	ECROU M10 17X8 D557 Z	MUTTER M10 17X8 D557	TUERCA M10 17X8 D557
19	G16243990	SCARPETTA INTERCAMBIABILE	INTERCHANGE CUTTER	HACHOIR	SAASCHAR	HOJA DE CORTE
20	G19003270	CUFFIA TUBO SCARPETTA	SLIDE PIPE HOUSING	BOUCHON TUBE SABOT	KASTEN ROHR SCHUH	ENVOLTURA TUBO GUA APOYO G
21	F01220011	DADO M6X1 D980 8ZN	NUT M6X1 D980 8ZN	ECROU M6X1 D980 8 ZN	MUTTER M6X1 D980 8 ZN	TUERCA M6X1 D980 8 ZN
22	F01040600	VITE M10X1,5X30 U9327 8.8ZN	SCR. M10X1,5X30 U9327 8.8ZN	VIS M10X 30 U9327 8.8 ZN	SCHRAUBE M10X 30 U9327 8.8 ZN	TORNILLO M10X 30 U9327 8.8 ZN
23	F01020411	VITE M6X1X35 U5739 8.8ZN	SCR. M6X1X35 U5739 8.8ZN	VIS 6 X35 5739 8.G ZN	SCHRAUBE 6 X35 5739 8.G ZN	TORNILLO 6X35 5739 8.G ZN
24	G07002218	ANTI INTASAMENTO M	ANTI CLOGGING M	ANTI BOURRAGE SOC	VERSTOPFUNGSHEMMENDES ELEMENT	ANTI OBSTRUCCIN M A
25	G16041692	TUBO LUNGO E TIRANTE COMPL	LONG TUBE-TIE ROD ASS.BLY			
26	G16041672	TUBO CORTO E TIRANTE COMPL	SHORT TUBE AND TIE ROD			
27	F01220022	DADO M8X1,25 D980 8ZN	NUT M8X1,25 D980 8ZN	ECROU M8X 1,25 D980 8 ZN	MUTTER M8X 1,25 D980 8 ZN	TUERCA M8X 1,25 D980 8 ZN
28	G18904630	MOLLA TENS.ASSOLCAT.LUNGO ZN	SPRING TENSION FURROW LONG			

BARRA CEREALI PORTATA - MOUNTED CEREAL BAR

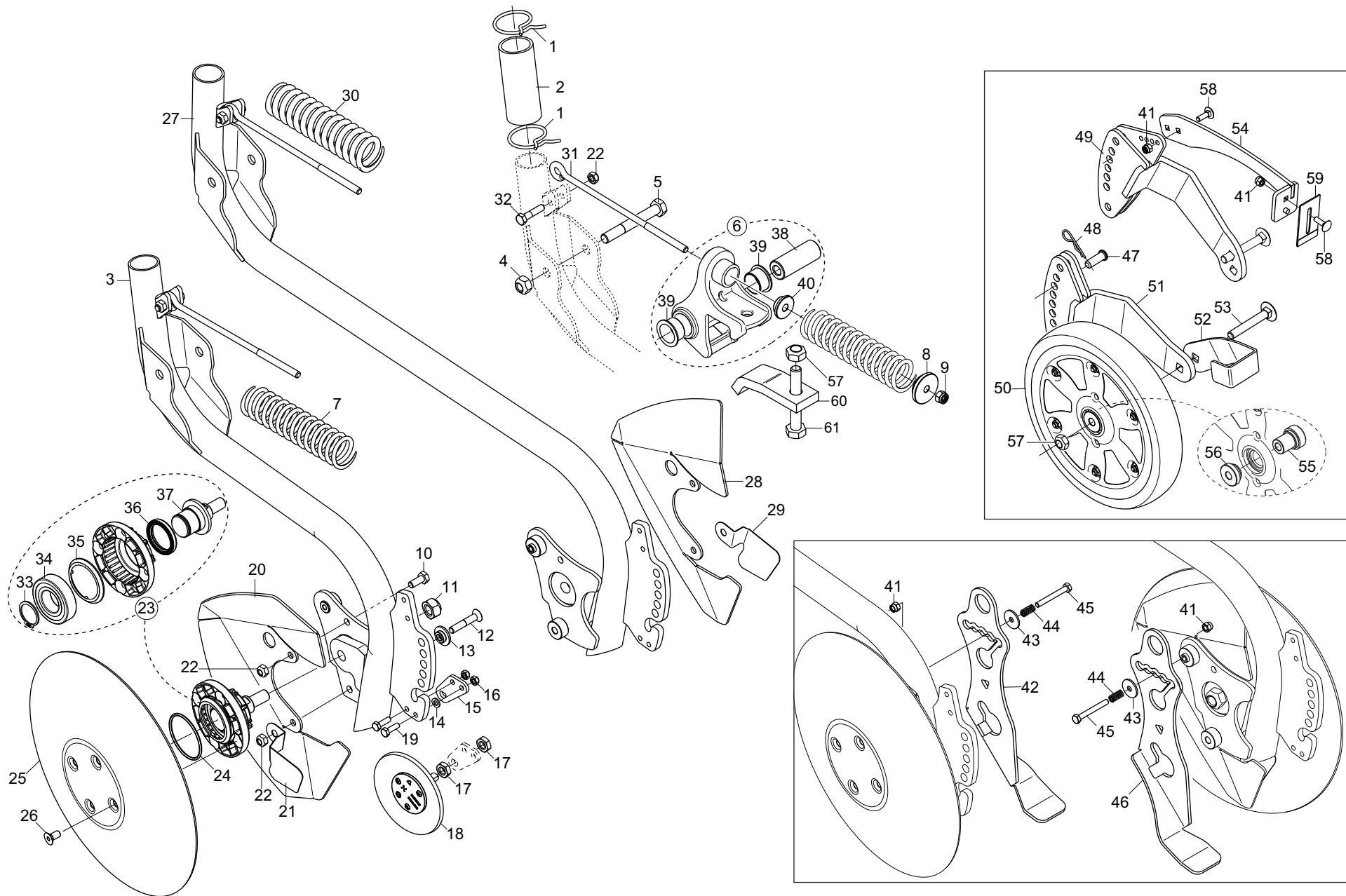


ASSOLCATORI A DISCO

TAV. 450

Pos.	Cod.	Descrizione	Description	Description	Benennung	Descripcion
1	F01040501	VITE M8X1,25X25 D7984 8.8ZN	SCR. M8X1,25X25 U7984 8.8ZN	VIS 8X25 DIN 7984 ZN	SCHRAUBE 8X25 DIN 7984 ZN	TORNILLO 8X25 DIN 7984 ZN
2	G19003411	DISCO ESTERNO	OUTER DISK	DISQUE EXTERNE	AUSSENSCHEIBE	DISCO ESTERNO
3	G16043890	DISCO ASSOLCATORE D.328 SP.2,5	DISC OPENER D.328 SP.2,5			
4	G16040820	ASSE DISCO	DISK SPINDLE	AXE DISQUE	SCHEIBENACHSE	EJE DISCO
5	F03010576	ANELLO OR 50,52X1,78 NBR	GASKET OR 50,52X1,78 NBR	BAGUE OR 50,52X1,78 NBR	RING OR 50,52X1,78 NBR	ANILLO OR 50,52X1,78 NBR
6	G16040921	FLANGIA CON CUSCINETTI	FLANGE w/ BEARING	BRIDE AVEC ROULEMENTS	FLANSCH MIT LAGERN	BRIDA CON COJINETES
7	F01230034	DADO M8X1,25 D982 8	NUT M8X1,25 D982 8	ECROU M8X 1,25 D982 8 ZN	MUTTER M8X 1,25 D982 8 ZN	TUERCA M8X 1,25 D982 8 ZN
8	G16040863	PARAPOLVERE DI BLOCCAGGIO ZAMA	ZAMA LOCK DUST SEAL	PARE-POUSSI+RE DE BLOCAGE ZAMA	FESTSTELL-STAUBABDECKUNG ZAMA	GUARDAPOLVO DE BLOQUEO ZAMAK
9	G19203980	FALCIONE DS DX	RIGHT CUTTER			
10	G16043690	MONT.TUBO CORTO D.S. E TIRANTE	SHORT TUBE S.DIS & TIGHTENER			
11	F01020168	VITE M12X1,75X90 U5737 8.8ZN	SCR. M12X1,75X90 U5737 8.8ZN	VIS M12X1,75X90 U5737 8.8 ZN	SCHRAB.M12X1,75X90 5737 8.8 ZN	TORNIL.M12X1,75X90 5737 8.8 ZN
12	G15821110	BOCCOLA SUPPORTO COPRISEME	SEED COVER SUPP. BUSHING	BOITE SUPPORT COUVRE-SEMENCE	BsCHSE SAMENABDECKERHALTER.	CASQUILLO SOPORTE CUBRESEMILLA
13	F01220255	DADO M14X2 D980 8ZN	NUT M14X2 D980 8ZN	ECROU TRISTOP M14X2 D980 8 ZN	MUTTER TRISTOP M14X2 D980 8 ZN	TUERCA TRISTOP M14X2 D980 8 ZN
14	F01030060	VITE M8X1,25X35 U5933 10.9ZD	SCR. M8X1,25X35 U5933 10.9ZD	VIS 8X35 5933 8.8 ZN	SCHRAUBE 8X35 5933 8.8 ZN	TORNILLO 8X35 5933 8.8 ZN
15	F01220011	DADO M6X1 D980 8ZN	NUT M6X1 D980 8ZN	ECROU M6X1 D980 8 ZN	MUTTER M6X1 D980 8 ZN	TUERCA M6X1 D980 8 ZN
16	F01410037	ROS.M6 6,4X12,5X1,6 U6592 ZN	WASHER M6 6,4X12,5X1,6 U6592ZN	RONDEL.M6 6,4X12,5X1,6 U6592ZN	SCHEIB.M6 6,4X12,5X1,6 U6592ZN	ARAND.M6 6,4X12,5X1,6 U6592 ZN
17	G16043880	RASCHIATERRA DS CON RIPORTO ZN	SOILSCRAPER DS ZN			
18	G16043730	ASS.SUPP.SUP.RASCHIATERRA SX	ASS.SUPP.L.SOILSCRAPER			
19	F01060013	VITE M6X1X20 U5732 4.6ZN	SCR. M6X1X20 U5732 4.6ZN	VIS 6X20 5732 4.6 ZN	SCHRAUBE 6X20 5732 4.6 ZN	TORNILLO 6X20 5732 4.6 ZN
20	F01020404	VITE M6X1X20 U5739 8.8ZN	SCR. M6X1X20 U5739 8.8ZN			
21	G16041260	FONDELLO ZN	BOTTOM GALV.ED			
22	G18904420	MOLLA TENSIONE ASSOLCATORI ZN	ZN VOLTAGE COULTER SPRING			
23	G18904630	MOLLA TENS.ASSOLCAT.LUNGO ZN	SPRING TENSION FURROW LONG			
24	G65336001	MOLLA SPEC.ZN STRING.CONC. SP	SPEC SPRING ZN MAN. PIPE CLAMP	RESSORT SPEC. ZN SERRE-TUBE LO	SPEZIALFEDER ZN DsNGERSCHELLE.	MUELLE ESPEC. ZN APLASTA ABONO
25	G19005340	MANICOTTO DI GIUNZIONE	JOINT SLEEVE	MANCHON DE RACCORD	VERBINDUNGSMUFFE	MANGUITO DE UNIN
26	F01220048	DADO M12X1,75 D980 8ZN	NUT M12X1,75 D980 8ZN	ECROU M12X1,75 D980 8 ZN	SCHEIBE M12X1,75 D980 8 ZN	TUERCA M12X1,75 D980 8 ZN
27	G19003422	FLANGIA PORTA CUSCINETTI	BEARING-HOLDER FLANGE	BRIDE PORTE-ROULEMENTS	LAGERTR-GERFLANSCH	BRIDA PORTACOJINETES
28	F04010309	CUSCINETTO FLANGIATO 25X28X16	BEARING D30 D47 B9 61906 2RS	PALIER 61906-2RS	LAGER 61906-2RS	COJINETE 61906-2RS
29	F01440081	ROS. 37X47X0,1 D988 ST2K60 BR	RAISING WASHER 37X47X0.1	RONDELLE D'EPaisseur 37X47X0,1	AUSGLEICHSSCHEIBE 37X47X0,1	ARANDELA DE APOYO 37X47X0,1
30	G19203970	FALCIONE DS SX	LEFT CUTTER			
31	G16043700	MONT.TUBO LUNGO D.S. E TIRANTE	MONT.PIPE LONG DISK SMPL.TIE-R			
32	G16043720	ASS.SUPP.SUP.RASCHIATERRA DX	ASS.SUPP.R.SOILSCRAPER			
33	G18802740	BOCCOLA 12X25X63,5	BUSHING 25X12X63,5	BOITE 25X12X63,5	BUCHSE 25X12X63,5	CASQUILLO 25X12X63,5
34	F04150034	CUSCINETTO FLANGIATO 25X28X16	BEARING FLANGED 25X28X16			
35	G16043680	SUPPORTO ASSOLCATORE COMPL.	FURROW SUPPORT COMPL.			
36	G19006510	BOCCOLA GUIDA TIRANTE	BUSHING TIE-ROD GUIDE			
37	G16041251	TIRANTE	TIE ROD			
38	F01220022	DADO M8X1,25 D980 8ZN	NUT M8X1,25 D980 8ZN	ECROU M8X 1,25 D980 8 ZN	MUTTER M8X 1,25 D980 8 ZN	TUERCA M8X 1,25 D980 8 ZN
39	F01020063	VITE M8X1,25X35 U5737 8.8ZN	SCR. M8X1,25X35 U5737 8.8ZN	VIS 8 X35 5737 8.G ZN	SCHRAUBE 8 X35 5737 8.G ZN	TORNILLO 8 X35 5737 8.G ZN
40	G16015981	SCONTRO DI FISSAGGIO ZN	SECURING STOP TEETH	BUTEE DE FIXATION	FESTANSCHLAG	DIENTE DE PARADA DE FIJACIEN
41	F01020125	VITE M10X1,5X75 U5737 8.8ZN	SCR. M10X1,5X75 U5737 8.8ZN	VIS 10X75 5737 8.G ZN	SCHRAUBE 10X75 5737 8.G ZN	TORNILLO 10X75 5737 8.G ZN
42	F01220033	DADO M10X1,5 D980 8ZN	NUT M10X1,5 D980 8ZN	ECROU M10X 1,5 D980 8 ZN	MUTTER M10X 1,5 D980 8 ZN	TUERCA M10X 1,5 D980 8 ZN
43	G16043760	ASS.SUPP.INF.RASCHIATERRA DX	ASS.SUPP.LOWER R.SOILSCRAPER			
44	G16043740	ASS.SUPP.INF.RASCHIATERRA SX	ASS.SUPP.LOWER L.SOILSCRAPER			
45	F01230022	DADO M6X1 D982 8ZN	NUT M6X1 D982 8ZN	ECROU AUTO-FREIN.M6X1 D982 8ZN	SICHERUNGSMUT. M6X1 D982 8 ZN	TUERCA DE SEGU.M6X1 D982 8 ZN
46	G16043852	LIMITATORE DI PROF.DX	RIGHT DEPTH CONTROLLER			
47	F01420037	ROS.M6 6,4X 24X 2 U6593 ZN	WASHER M6 6,4X24X2 U6593 ZN			
48	G18904240	MOLLA APERTURA PORTA CONTROLLO	SPRING	RESSORT	FEDER	MUELLE
49	F01020042	VITE M6X1X50 U5737 8.8ZN	SCR. M6X1X50 U5737 8.8ZN	VIS 6 X50 5737 8.G ZN	SCHRAUBE 6 X50 5737 8.G ZN	TORNILLO 6x50 5737 8.G ZN
50	G16043842	LIMITATORE DI PROF.SX	LEFT DEPTH CONTROLLER			
51	F02100336	PERNO D.10 UNI 1710 ZN	PIN D.10 UNI 1710	PIVOT D.10 UNI 1710	BOLZEN D.10 UNI 1710	PERNO D.10 UNI 1710
52	F02200342	COPIGLIA R 2X 50 ZN	SPRING SPLIT PIN 2X50 ZN	GOUPILLE R 2X50 ZN	SPLINT R 2X50 ZN	CHAVETA R 2X50 ZN
53	G16043461	SUPPORTO RUOTINO	WHEEL SUPPORT			
54	F06120409	RUOTA GOMMA 250X42L PLA.2CUS.>	RUBBER WHEEL 250X42L PLA.2BEAR			
55	G16043460	ASS.SUPP.RUOTINO	ASSY WHEEL SUPPORT			
56	G16043490	RASCHIATERRA	SOILSCRAPER			
57	F01060086	VITE M10X1,5X70 U5732 4.6ZN	SCR. M10X1,5X70 U5732 4.6ZN	VIS 10X70 5732 4.6 ZN	SCHRAUBE 10X70 5732 4.6 ZN	TORNILLO 10X70 5732 4.6 ZN
58	G19004350	MANICOTTO PIEGATO	BEND SLEEVE			
59	G16045500	SUPPORTO RASCHIA RUOTINO250X42	SOIL SCRAPER SUPPORT			
60	G16043820	BOCCOLA D10XD29-35 ZN	BUSHING D10XD29-35 ZN			
61	G16043830	BOCCOLA D10XD29-13 ZN	BUSHING D10XD29-13 ZN			

BARRA CEREALI PORTATA - MOUNTED CEREAL BAR

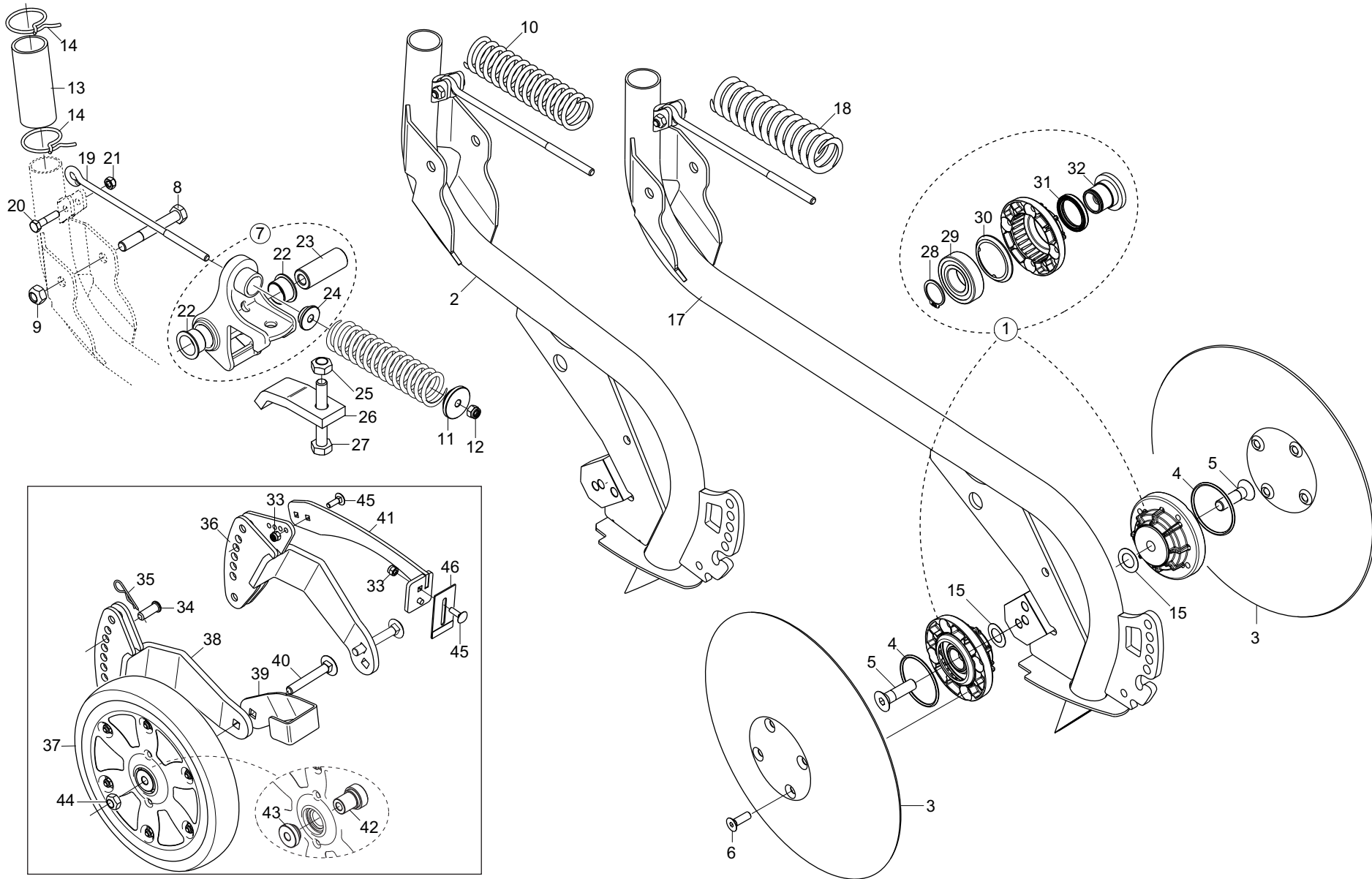


ASSOLCATORI A DISCO

TAV. 460

Pos.	Cod.	Descrizione	Description	Description	Benennung	Descripcion
1	G16248850	KIT MOZZO COREX	KIT HUB COREX			
2	G16045410	TUBO CORTO COREX E TIRANTE	SHORT COREX TUBE			
3	G16043090	DISCO COREX FE-B SP.2,5	DISC COREX FE-B SP.2,5			
4	F03011144	GUARNIZIONE OR 3 X 56	SEAL 3 X 56			
5	F01030112	VITE M12X1,75X45 U5933 10.9ZD	SCR. M12X1,75X45 U5933 10.9ZD	VIS M12X1,75X45 U5933 10.9 ZD	SCHRAUBE M12X1,75X45 U5933 10.	TORNIL. M12X1,75X45 U5933 10.9
6	F01030056	VITE M8X1,25X25 U5933 10.9ZD	SCR. M8X1,25X25 U5933 10.9ZD	VIS 8X25 5933 10.9 ZN	SCHRAUBE 8X25 5933 10.9 ZN	TORNILLO 8X25 5933 10.9 ZN
7	G16043680	SUPPORTO ASSOLCATORE COMPL.	FURROW SUPPORT COMPL.			
8	F01020168	VITE M12X1,75X90 U5737 8.8ZN	SCR. M12X1,75X90 U5737 8.8ZN	VIS M12X1,75X90 U5737 8.8 ZN	SCHRAB.M12X1,75X90 5737 8.8 ZN	TORNIL.M12X1,75X90 5737 8.8 ZN
9	F01220048	DADO M12X1,75 D980 8ZN	NUT M12X1,75 D980 8ZN	ECROU M12X1,75 D980 8 ZN	SCHEIBE M12X1,75 D980 8 ZN	TUERCA M12X1,75 D980 8 ZN
10	G18904420	MOLLA TENSIONE ASSOLCATORI ZN	ZN VOLTAGE COULTER SPRING			
11	G16041260	FONDELLO ZN	BOTTOM GALV.ED			
12	F01230034	DADO M8X1,25 D982 8	NUT M8X1,25 D982 8	ECROU M8X 1,25 D982 8 ZN	MUTTER M8X 1,25 D982 8 ZN	TUERCA M8X 1,25 D982 8 ZN
13	G19005340	MANICOTTO DI GIUNZIONE	JOINT SLEEVE	MANCHON DE RACCORD	VERBINDUNGSMUFFE	MANGUITO DE UNIN
14	G65336001	MOLLA SPEC.ZN STRING.CONC. SP	SPEC SPRING ZN MAN. PIPE CLAMP	RESSORT SPEC. ZN SERRE-TUBE LO	SPEZIALFEDER ZN DsNGERSCHELLE.	MUELLE ESPEC. ZN APLASTA ABONO
15	G18700220	RONDELLA 16,5 X28 X0,3 ACC.	WASHER 16X 28X 0,3 STEEL			
16	F03240018	LOCTITE*243 1X250 ML.	LOCTITE*243 1X250 ML.	LOCTITE*243 1X250 ML.	LOCTITE*243 1X250 ML.	LOCTITE*243 1X250 ML.
17	G16045370	TUBO LUNGO COREX E TIRANTE	LONG COREX TUBE			
18	G18904630	MOLLA TENS.ASSOLCAT.LUNGO ZN	SPRING TENSION FURROW LONG			
19	G16041251	TIRANTE	TIE ROD			
20	F01020063	VITE M8X1,25X35 U5737 8.8ZN	SCR. M8X1,25X35 U5737 8.8ZN	VIS 8 X35 5737 8.G ZN	SCHRAUBE 8 X35 5737 8.G ZN	TORNILLO 8 X35 5737 8.G ZN
21	F01220022	DADO M8X1,25 D980 8ZN	NUT M8X1,25 D980 8ZN	ECROU M8X 1,25 D980 8 ZN	MUTTER M8X 1,25 D980 8 ZN	TUERCA M8X 1,25 D980 8 ZN
22	F04150034	CUSCINETTO FLANGIATO 25X28X16	BEARING FLANGED 25X28X16			
23	G18802740	BOCCOLA 12X25X63,5	BUSHING 25X12X63,5	BOITE 25X12X63,5	BUCHSE 25X12X63,5	CASQUILLO 25X12X63,5
24	G19006510	BOCCOLA GUIDA TIRANTE	BUSHING TIE-ROD GUIDE			
25	F01220033	DADO M10X1,5 D980 8ZN	NUT M10X1,5 D980 8ZN	ECROU M10X 1,5 D980 8 ZN	MUTTER M10X 1,5 D980 8 ZN	TUERCA M10X 1,5 D980 8 ZN
26	G16015981	SCONTRO DI FISSAGGIO ZN	SECURING STOP TEETH	BUTEE DE FIXATION	FESTANSCHLAG	DIENTE DE PARADA DE FIJACIÉN
27	F01020125	VITE M10X1,5X75 U5737 8.8ZN	SCR. M10X1,5X75 U5737 8.8ZN	VIS 10X75 5737 8.G ZN	SCHRAUBE 10X75 5737 8.G ZN	TORNILLO 10X75 5737 8.G ZN
28	F02050112	ANELLO E. DE 30X 1,5 U7435 C70	SEEGER RING 30X 1,5 U7435 C70	SEEGER E. 30 X 1,5 U7435 C70	SEEGERING E. 30X 1,5 U7435 C70	ANILLO E. 30 X 1,5 U7435 C70
29	F04010174	CUSCINETTO 6206 2RS	BEARING D30 D62 B16 6206 2RS	PALIER 6206 2RS	LAGER 6206 2RS	COJINETE 6206 2RS
30	G16244181	ANELLO DI SOSTEGNO ZAMA	RING	BAGUE	RING	ANILLO
31	F03010074	ANELLO T.A. 32X 47X 7 D3760NBR	RING T.A. 32X 47X 7 D3760NBR	BAGUE 32X 47X 7 D3760NBR	SCHUTZRING 32X 47X 7 D3760NBR	ANILLO T.A. 32X 47X 7 D3760NBR
32	G16244050	ASSE COREX ZN	AXLE COREX ZN	AXE COREX ZN	ACHSE COREX ZN	EJE COREX ZN
33	F01230022	DADO M6X1 D982 8ZN	NUT M6X1 D982 8ZN	ECROU AUTO-FREIN.M6X1 D982 8ZN	SICHERUNGSMUT. M6X1 D982 8 ZN	TUERCA DE SEGU.M6X1 D982 8 ZN
34	F02100336	PERNO D.10 UNI 1710 ZN	PIN D.10 UNI 1710	PIVOT D.10 UNI 1710	BOLZEN D.10 UNI 1710	PERNO D.10 UNI 1710
35	F02200342	COPIGLIA R 2X 50 ZN	SPRING SPLIT PIN 2X50 ZN	GOUPILLE R 2X50 ZN	SPLINT R 2X50 ZN	CHAVETA R 2X50 ZN
36	G16043461	SUPPORTO RUOTINO	WHEEL SUPPORT			
37	F06120409	RUOTA GOMMA 250X42L PLA.2CUS.>	RUBBER WHEEL 250X42L PLA.2BEAR			
38	G16043460	ASS.SUPP.RUOTINO	ASSY WHEEL SUPPORT			
39	G16043490	RASCHIATERRA	SOILSCRAPER			
40	F01060086	VITE M10X1,5X70 U5732 4.6ZN	SCR. M10X1,5X70 U5732 4.6ZN	VIS 10X70 5732 4.6 ZN	SCHRAUBE 10X70 5732 4.6 ZN	TORNILLO 10X70 5732 4.6 ZN
41	G16045500	SUPPORTO RASCHIA RUOTINO250X42	SOIL SCRAPER SUPPORT			
42	G16043820	BOCCOLA D10XD29-35 ZN	BUSHING D10XD29-35 ZN			
43	G16043830	BOCCOLA D10XD29-13 ZN	BUSHING D10XD29-13 ZN			
44	F01220033	DADO M10X1,5 D980 8ZN	NUT M10X1,5 D980 8ZN	ECROU M10X 1,5 D980 8 ZN	MUTTER M10X 1,5 D980 8 ZN	TUERCA M10X 1,5 D980 8 ZN
45	F01060013	VITE M6X1X20 U5732 4.6ZN	SCR. M6X1X20 U5732 4.6ZN	VIS 6X20 5732 4.6 ZN	SCHRAUBE 6X20 5732 4.6 ZN	TORNILLO 6X20 5732 4.6 ZN
46	G16043880	RASCHIATERRA DS CON RIPORTO ZN	SOILSCRAPER DS ZN			

BARRA CEREALI PORTATA - MOUNTED CEREAL BAR

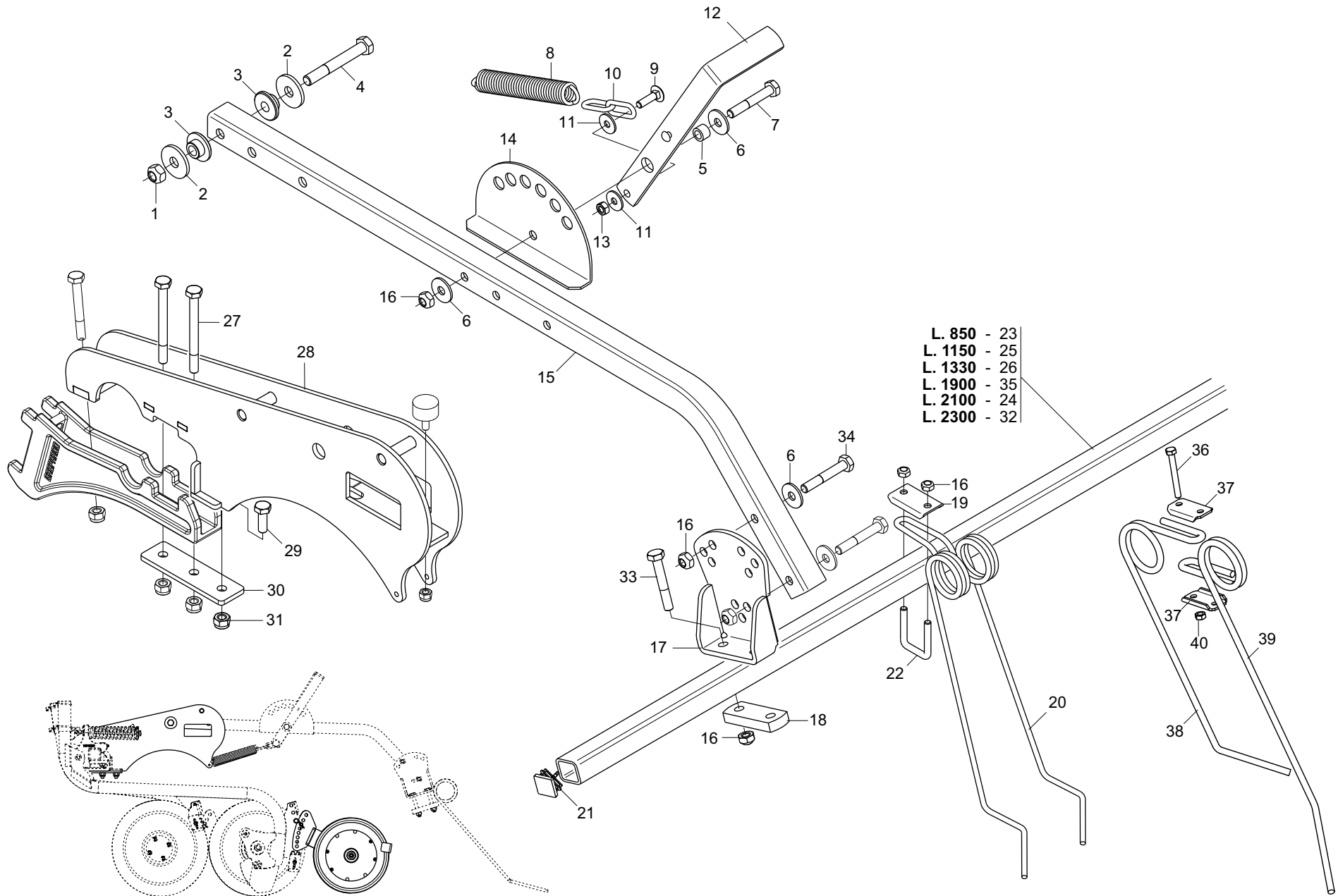


ASSOLCATORI CON DISCO COREX

TAV. 470

Pos.	Cod.	Descrizione	Description	Description	Benennung	Description
1	G65336001	MOLLA SPEC.ZN STRING.CONC. SP	SPEC SPRING ZN MAN. PIPE CLAMP	RESSORT SPEC. ZN SERRE-TUBE LO	SPEZIALFEDER ZN DsNGERSCHELLE.	MUELLE ESPEC. ZN APLASTA ABONO
2	G19005340	MANICOTTO DI GIUNZIONE	JOINT SLEEVE	MANCHON DE RACCORD	VERBINDUNGSMUFFE	MANGUITO DE UNIN
3	G16043690	MONT.TUBO CORTO D.S. E TIRANTE	SHORT TUBE S.DISC & TIGHTENER			
4	F01220048	DADO M12X1,75 D980 8ZN	NUT M12X1,75 D980 8ZN	ECROU M12X1,75 D980 8 ZN	SCHEIBE M12X1,75 D980 8 ZN	TUERCA M12X1,75 D980 8 ZN
5	F01020168	VITE M12X1,75X90 U5737 8.8ZN	SCR. M12X1,75X90 U5737 8.8ZN	VIS M12X1,75X90 U5737 8.8 ZN	SCHRAB.M12X1,75X90 5737 8.8 ZN	TORNIL.M12X1,75X90 5737 8.8 ZN
6	G16043680	SUPPORTO ASSOLCATORE COMPL.	FURROW SUPPORT COMPL.			
7	G18904420	MOLLA TENSIONE ASSOLCATORI ZN	ZN VOLTAGE COULTER SPRING			
8	G16041260	FONDELLO ZN	BOTTOM GALV.ED			
9	F01230034	DADO M8X1,25 D982 8	NUT M8X1,25 D982 8	ECROU M8X 1,25 D982 8 ZN	MUTTER M8X 1,25 D982 8 ZN	TUERCA M8X 1,25 D982 8 ZN
10	F01020436	VITE M8X1,25X20 U5739 8.8ZN	SCR. M8X1,25X20 U5739 8.8ZN	VIS M8X1,25X 20 U5739 8.8 ZN	SCHRAUBE M8X1,25X20U5739 8.8ZN	TORN. M8X1,25X20 U5739 8.8 ZN
11	F01220255	DADO M14X2 D980 8ZN	NUT M14X2 D980 8ZN	ECROU TRISTOP M14X2 D980 8 ZN	MUTTER TRISTOP M14X2 D980 8 ZN	TUERCA TRISTOP M14X2 D980 8 ZN
12	F01030061	VITE M8X1,25X45 U5933 10.9ZD	SCR. M8X1,25X45 U5933 10.9ZD	VIS 8X45 5933 8.8 ZN	SCHRAUBE 8X45 5933 8.8 ZN	TORNILLO 8X45 5933 8.8 ZN
13	G15821110	BOCCOLA SUPPORTO COPRISEME	SEED COVER SUPP. BUSHING	BOITE SUPPORT COUVRE-SEMENCE	BsCHSE SAMENABDECKERHALTER.	CASQUILLO SOPORTE CUBRESEMILLA
14	F01410037	ROS.M6 6,4X12,5X1,6 U6592 ZN	WASHER M6 6,4X12,5X1,6 U6592ZN	RONDEL.M6 6,4X12,5X1,6 U6592ZN	SCHEIB.M6 6,4X12,5X1,6 U6592ZN	ARAND.M6 6,4X12,5X1,6 U6592 ZN
15	G16044540	SUPP.RASCHIETTO ROTATIVO ZN	SCRAPER SUPPORT			
16	F01220011	DADO M6X1 D980 8ZN	NUT M6X1 D980 8ZN	ECROU M6X1 D980 8 ZN	MUTTER M6X1 D980 8 ZN	TUERCA M6X1 D980 8 ZN
17	F01200416	DADO M10X1,5 U5589 6SZN	NUT M10X1,5 U5589 6SZN	ECROU 10 UNI 5589 6.8 ZN	MUTTER 10 UNI 5589 6.8 ZN	TUERCA 10 UNI 5589 6.8 ZN
18	G16044280	RASCHIETTO ROTATIVO COMPL	SCRAPER			
19	F01020404	VITE M6X1X20 U5739 8.8ZN	SCR. M6X1X20 U5739 8.8ZN			
20	G16045450	GUSCIO DISCO VORTEX ELEM.CORTO	DISC SHELL SHORT ELEMENT			
21	G16249050	SUPPORTO LAMELLA DS SX IX	BLADE SUPPORT DS SX IX			
22	F01220022	DADO M8X1,25 D980 8ZN	NUT M8X1,25 D980 8ZN	ECROU M8X 1,25 D980 8 ZN	MUTTER M8X 1,25 D980 8 ZN	TUERCA M8X 1,25 D980 8 ZN
23	G16044570	MOZZO DISCO COMPL	DISK HUB			
24	F03011144	GUARNIZIONE OR 3 X 56	SEAL 3 X 56			
25	G16044560	DISCO ASSOLCAT.VX D.320	DISK OPENER VX D.320			
26	F01030054	VITE M8X1,25X16 U5933 10.9ZD	SCR. M8X1,25X16 U5933 10.9ZD	VIS 8X16 UNI 5933 10.9 ZN	SCHRAUBE 8X16 UNI 5933 10.9 ZN	TORNILLO 8X16 UNI 5933 10.9 ZN
27	G16043700	MONT.TUBO LUNGO D.S. E TIRANTE	MONT.PIPE LONG DISK SMPL.TIE-R			
28	G16045440	GUSCIO DISCO VORTEX ELEM.LUNGO	DISC SHELL LONG ELEMENT			
29	G16249040	SUPPORTO LAMELLA DS DX IX	BLADE SUPPORT DS DX IX			
30	G18904630	MOLLA TENS.ASSOLCAT.LUNGO ZN	SPRING TENSION FURROW LONG			
31	G16041251	TIRANTE	TIE ROD			
32	F01020063	VITE M8X1,25X35 U5737 8.8ZN	SCR. M8X1,25X35 U5737 8.8ZN	VIS 8 X35 5737 8.G ZN	SCHRAUBE 8 X35 5737 8.G ZN	TORNILLO 8 X35 5737 8.G ZN
33	F02050112	ANELLO E. DE 30X 1,5 U7435 C70	SEEGER RING 30X 1,5 U7435 C70	SEEGER E. 30 X 1,5 U7435 C70	SEEGERING E. 30X 1,5 U7435 C70	ANILLO E. 30 X 1,5 U7435 C70
34	F04010174	CUSCINETTO 6206 2RS	BEARING D30 D62 B16 6206 2RS			
35	G16244181	ANELLO DI SOSTEGNO ZAMA	RING	BAGUE	RING	ANILLO
36	F03010074	ANELLO T.A. 32X 47X 7 D3760NBR	RING T.A. 32X 47X 7 D3760NBR	BAGUE 32X 47X 7 D3760NBR	SCHUTZRING 32X 47X 7 D3760NBR	ANILLO T.A. 32X 47X 7 D3760NBR
37	G16044580	ASSE DISCO ZN	DISC SPINDLE			
38	G18802740	BOCCOLA 12X25X63,5	BUSHING 25X12X63,5	BOITE 25X12X63,5	BUCHSE 25X12X63,5	CASQUILLO 25X12X63,5
39	F04150034	CUSCINETTO FLANGIATO 25X28X16	BEARING FLANGED 25X28X16			
40	G19006510	BOCCOLA GUIDA TIRANTE	BUSHING TIE-ROD GUIDE			
41	F01230022	DADO M6X1 D982 8ZN	NUT M6X1 D982 8ZN	ECROU AUTO-FREIN.M6X1 D982 8ZN	SICHERUNGSMUT. M6X1 D982 8 ZN	TUERCA DE SEGU.M6X1 D982 8 ZN
42	G16043852	LIMITATORE DI PROF.DX	RIGHT DEPTH CONTROLLER			
43	F01420037	ROS.M6 6,4X 24X 2 U6593 ZN	WASHER M6 6,4X24X2 U6593 ZN			
44	G18904240	MOLLA APERTURA PORTA CONTROLLO	SPRING	RESSORT	FEDER	MUELLE
45	F01020042	VITE M6X1X50 U5737 8.8ZN	SCR. M6X1X50 U5737 8.8ZN	VIS 6 X50 5737 8.G ZN	SCHRAUBE 6 X50 5737 8.G ZN	TORNILLO 6x50 5737 8.G ZN
46	G16043842	LIMITATORE DI PROF.SX	LEFT DEPTH CONTROLLER			
47	F02100336	PERNO D.10 UNI 1710 ZN	PIN D.10 UNI 1710	PIVOT D.10 UNI 1710	BOLZEN D.10 UNI 1710	PERNO D.10 UNI 1710
48	F02200342	COPIGLIA R 2X 50 ZN	SPRING SPLIT PIN 2X50 ZN	GOUPILLE R 2X50 ZN	SPLINT R 2X50 ZN	CHAVETA R 2X50 ZN
49	G16043461	SUPPORTO RUOTINO	WHEEL SUPPORT			
50	F06120409	RUOTA GOMMA 250X42L PLA.2CUS.>	RUBBER WHEEL 250X42L PLA.2BEAR			
51	G16043460	ASS.SUPP.RUOTINO	ASSY WHEEL SUPPORT			
52	G16043490	RASCHIATERRA	SOILSCRAPER			
53	F01060086	VITE M10X1,5X70 U5732 4.6ZN	SCR. M10X1,5X70 U5732 4.6ZN	VIS 10X70 5732 4.6 ZN	SCHRAUBE 10X70 5732 4.6 ZN	TORNILLO 10X70 5732 4.6 ZN
54	G16045500	SUPPORTO RASCHIA RUOTINO250X42	SOIL SCRAPER SUPPORT			
55	G16043820	BOCCOLA D10XD29-35 ZN	BUSHING D10XD29-35 ZN			
56	G16043830	BOCCOLA D10XD29-13 ZN	BUSHING D10XD29-13 ZN			
57	F01220033	DADO M10X1,5 D980 8ZN	NUT M10X1,5 D980 8ZN	ECROU M10X 1,5 D980 8 ZN	MUTTER M10X 1,5 D980 8 ZN	TUERCA M10X 1,5 D980 8 ZN
58	F01060013	VITE M6X1X20 U5732 4.6ZN	SCR. M6X1X20 U5732 4.6ZN	VIS 6X20 5732 4.6 ZN	SCHRAUBE 6X20 5732 4.6 ZN	TORNILLO 6X20 5732 4.6 ZN
59	G16043880	RASCHIATERRA DS CON RIPORTO ZN	SOILSCRAPER DS ZN			
60	G16015981	SCONTRO DI FISSAGGIO ZN	SECURING STOP TEETH	BUTEE DE FIXATION	FESTANSCHLAG	DIENTE DE PARADA DE FIJACIÉN
61	F01020125	VITE M10X1,5X75 U5737 8.8ZN	SCR. M10X1,5X75 U5737 8.8ZN	VIS 10X75 5737 8.G ZN	SCHRAUBE 10X75 5737 8.G ZN	TORNILLO 10X75 5737 8.G ZN

BARRA CEREALI PORTATA - MOUNTED CEREAL BAR



ERPICE COPRISEME

TAV. 480

Pos.	Cod.	Descrizione	Description	Description	Benennung	Descripcion
1	F01220048	DADO M12X1,75 D980 8ZN	NUT M12X1,75 D980 8ZN	ECROU M12X1,75 D980 8 ZN	SCHEIBE M12X1,75 D980 8 ZN	TUERCA M12X1,75 D980 8 ZN
2	G20970085	RONDELLA 40X4X13	WASHER 40X4X13	RONDELLE 40X4X13	UNTERLEGSSCHEIBE 40X4X13	ARANDELA 40X4X13
3	G15421232	BOCCOLA BRACCIO PARALLELO SP.8	ARM BUSHING PARALLEL SP.8	BOITE BRAS PARALLELE SP.8	BsCHSE ARM PARALLEL SP.8	CASQUILLO BRAZO PARALELO SP.8
4	F01020168	VITE M12X1,75X90 U5737 8.8ZN	SCR. M12X1,75X90 U5737 8.8ZN	VIS M12X1,75X90 U5737 8.8 ZN	SCHRAB.M12X1,75X90 5737 8.8 ZN	TORNIL.M12X1,75X90 5737 8.8 ZN
5	G18801610	BOCCOLA 10,25X16 X11 ZN	BUSHING 10.25 X 16 X 11- GALVA	BOITE 10-25X16 X11 ZN	BsCHSE 10-25X16 X11 ZN	CASQUILLO 10-25X16 X11 ZN
6	F01420060	ROS.M10 10,5X 30X2,5 U6593 ZN	WASHER 10,5X30	RONDELLE 10,5X30	SCHEIBE 10,5X30	ARANDELA 10,5X30
7	F01020120	VITE M10X1,5X65 U5737 8.8ZN	SCR. M10X1,5X65 U5737 8.8ZN	VIS M10X1,5X65 U5737 8.8 ZN	SCHRA. M10X1,5X65 U5737 8.8 ZN	TORN. M10X1,5X65 U5737 8.8 ZN
8	G18903540	MOLLA TRAZIONE SCARPETTE	PLANTER SHOE TRACTION SPRING	RESSORT TRACTION SABOTS	ZUGFEDER SZSCHAREN	MUELLE TRACCIN GUA APOYO AR
9	F01060042	VITE M8X1,25X30 U5732 4.6ZN	SCR. M8X1,25X30 U5732 4.6ZN	VIS 8 X30 5732 4.6 ZN	SCHRAUBE 8 X30 5732 4.6 ZN	TORNILLO 8 X30 5732 4.6 ZN
10	G16015370	CATENA GENOVESE D.5 ZN	CHAIN D.5 ZN	CHA+NE D.5 ZN	KETTE D.5 ZN	CADENA Ì 5 ZN
11	F01420048	ROS.M8 8,4X 24X 2 U6593 ZN	WASHER M8 8,4X 24X2 U6593 ZN	RONDELLE M8 8,4X24X 2 U6593 ZN	SCHREIBEN M8 8,4X24X 2 U6593 ZN	ARANDELA M8 8,4X 24X2 U6593 ZN
12	G16013970	LEVATENDIMOLLA	SPRING EXTENDER LEVER	LEVIER TENDEUR RESSORT	HEBEL FEDERSPANNER	PALANCA TIRA MUELLE
13	F01200244	DADO M8X1,25 U5588 6.8ZN	NUT M8X1,25 U5588 6.8ZN	ECROU M8 X1,25 U5588 6.8 ZN	MUTTER M8 X1,25 U5588 6.8 ZN	TUERCA M8 X1,25 U5588 6.8 ZN
14	G16013990	AGGANCI0 LEVA TENDIMOLLA	LEVER HITCH SPRINGTIGHTNER			
15	G16071671	BRACCIO SUPPORTO ERPICE	HARROW SUPPORT ARM			
16	F01220033	DADO M10X1,5 D980 8ZN	NUT M10X1,5 D980 8ZN	ECROU M10X 1,5 D980 8 ZN	MUTTER M10X 1,5 D980 8 ZN	TUERCA M10X 1,5 D980 8 ZN
17	G16075470	PIASTRAATTACCO COPRISEME	SEEDCOVER PLATE			
18	G16075760	SCONTR0 90X 40-15 2F11,5 52	PLATE 90X 40-15 2F11,5 52	PLAQUETTE RESSORT COUVRE-GRAIN	PLZTTCHEN SAMENABDECKFEDER	PLAQUETA MUELLE CUBRESEMILLAS
19	G16240780	PIASTRINA X MOLLA ERPICE ZN	PLATE SEED COVER SPRING			
20	G18904710	MOLLA COPRISEME 2 PUNTE D.9	SEED COVER SPRING 2 TIPS D.9			
21	F20120348	PUNTALE Q.40 NERO	SQUARE TIP 40 BLACK			
22	F20110705	CAV.Q.B=40 M=10X1,5 L=62	U BOLT Q.B=40 M=10X1,5 L=62	CAVALIER ZN	BsGELBOLZEN ZN	PERNO EN U ZN
23	G13641890	TUBO Q. 40X 4X 850 1F8	PIPE Q.40X4X 850			
24	G16019150	TUBO Q. 40X 4X2100	TUBE Q. 40X 3X2100			
25	G16011050	TUBO Q. 40X 4X1150 1F6	SQUARE PIPE 40X4X1150	TUBE CARRE 40X4X1150	VIERKANTROHR 40X4X1150	TUBO CUADRADO 40X4X1150
26	G17912350	TUBO Q. 40X 4X1330 1F8	TUBE Q. 40X 4X1330			
27	F01020135	VITE M10X1,5X110 U5737 8.8ZN	SCR. M10X1,5X110 U5737 8.8ZN	VIS M 10X110	SCHRAUBE M 10X110	TORNILLO M 10X110
28	G16074370	SUPPORTO BRACCIO ERPICE	HARROW ARM SUPPORT			
29	F01020476	VITE M10X1,5X30 U5739 8.8ZN	SCR. M10X1,5X30 U5739 8.8ZN	VIS M10X1,5X30 U5739 8.8 ZN	SCHRAUBE M10X1,5X30U5739 8.8ZN	TORNIL.M10X1,5X30 U5739 8.8 ZN
30	G16074580	SCONTR0 135X 40- 6 3F11 51-46	PLATE135X40-63HOLES11 51-46			
31	F01230048	DADO M10X1,5 D982 8ZN	NUT M10X1,5 D982 8ZN	ECR.AUTO-FREIN.M10X1,5 D982 ZN	SICHERUNGSMUTT.M10X1,5 D982 ZN	TUERCA SEGURID.M10X1,5 D982 ZN
32	G17912340	TUBO Q. 40X 4X2300 2F6	TUBE Q. 40X 4X2300			
33	F01020125	VITE M10X1,5X75 U5737 8.8ZN	SCR. M10X1,5X75 U5737 8.8ZN	VIS 10X75 5737 8.G ZN	SCHRAUBE 10X75 5737 8.G ZN	TORNILLO 10X75 5737 8.G ZN
34	F01020118	VITE M10X1,5X60 U5737 8.8ZN	SCR. M10X1,5X60 U5737 8.8ZN	VIS 10X60 5737 8.G ZN	SCHRAUBE 10X60 5737 8.G ZN	TORNILLO 10X60 5737 8.G ZN
35	G16213980	TUBO Q.40X 4X1900	SQUARE TUBE 40X4X1900			
36	F01020083	VITE M8X1,25X70 U5737 8.8ZN	SCR. M8X1,25X70 U5737 8.8ZN	VIS M 8X70	SCHRAUBE M 8X70	TORNILLO M 8X70
37	G07000026	PIASTR.DENTI A MOLLA ZN	GALVAN. SPRING TOOTHED PLATE	PLAQUE DENTS A RESSORT ZN	PLATTE FEDERZZHNE ZN	PLACA DIENTES DE MUELLE ZN
38	G18903640	MOLLA CORTA COPRISEME D.9	SPEC. SPRING SHORT TOOTH D.9	DENT HERSE RECOUVR COURTE D.9	SPEZIALFEDER M. KURZ.ZAHN D.9	MUELLE ESPEC.DIENTE CORTO D.9
39	G18903650	MOLLA LUNGA COPRISEME D.9	SPEC. SPRING LONG TOOTH D.9	DENT HERSE RECOUVR LONGUE D.9	SPEZIALFEDER M. LANG.ZAHN D.9	MUELLE ESPEC.DIENTE LARGO D.9
40	F01220022	DADO M8X1,25 D980 8ZN	NUT M8X1,25 D980 8ZN	ECROU M8X 1,25 D980 8 ZN	MUTTER M8X 1,25 D980 8 ZN	TUERCA M8X 1,25 D980 8 ZN

**USATE SEMPRE RICAMBI ORIGINALI
ALWAYS USE ORIGINAL SPARE PARTS
IMMER DIE ORIGINAL-ERSATZTEILE VERWENDEN
EMPLOYEZ TOUJOURS LES PIECES DE RECHANGE ORIGINALES
UTILIZAR SIEMPRE REPUESTOS ORIGINALES**

GASPARDO

**Servizio Assistenza Tecnica - After Sales Service
Servizio Ricambi - Spare Parts Service
+39 0434 695410**

DEALER:



MASCHIO GASPARDO SpA
Registered office & Production plant
Via Marcello, 73 - 35011 Campodarsego (Padova) - Italy
Tel. +39 049 9289810
Fax +39 049 9289900
info@maschio.com
www.maschionet.com

MASCHIO GASPARDO SpA
Production plant
Via Mussons, 7 - 33075
Morsano al Tagliamento (PN) - Italy
Tel. +39 0434 695410
Fax +39 0434 695425
info@gaspardo.it

MASCHIO DEUTSCHLAND GMBH
Äußere Nürnberger Straße 5
D - 91177 Thalmässing - Deutschland
Tel. +49 (0) 9173 79000
Fax +49 (0) 9173 790079
dialog@maschio.de
www.maschio.de

MASCHIO FRANCE Sarl
Rue Denis Papin ZA
F - 45240 La Ferté Saint Aubin
France
Tel. +33 (0) 2.38.64.12.12
Fax +33 (0) 2.38.64.66.79
info@maschio.fr

000 МАСКИО-ГАСПАРДО РУССИЯ
Улица Пушкина, 117 Б
404126 Волжский
Волгоградская область
Тел. +7 8443 203100
факс. +7 8443 203101
info@maschio.ru

MASCHIO-GASPARDO ROMANIA S.R.L.
Strada Înfrăţirii, F.N.
315100 Chisineu-Cris (Arad) -România
Tel. +40 257 307030
Fax +40 257 307040
info@maschio.ro

MASCHIO-GASPARDO North America
112 3rd Avenue East
Dewitt, IA 52742 - USA
Ph. +1 563 659 6400
Fax +1 563 659 6405
info@maschio.us

MASCHIO IBERICA S.L.
MASCHIO-GASPARDO POLAND
MASCHIO-GASPARDO UCRAINA
GASPARDO-MASCHIO TURCHIA
MASCHIO-GASPARDO CINA
MASCHIO-GASPARDO INDIA
MASCHIO-GASPARDO KOREA