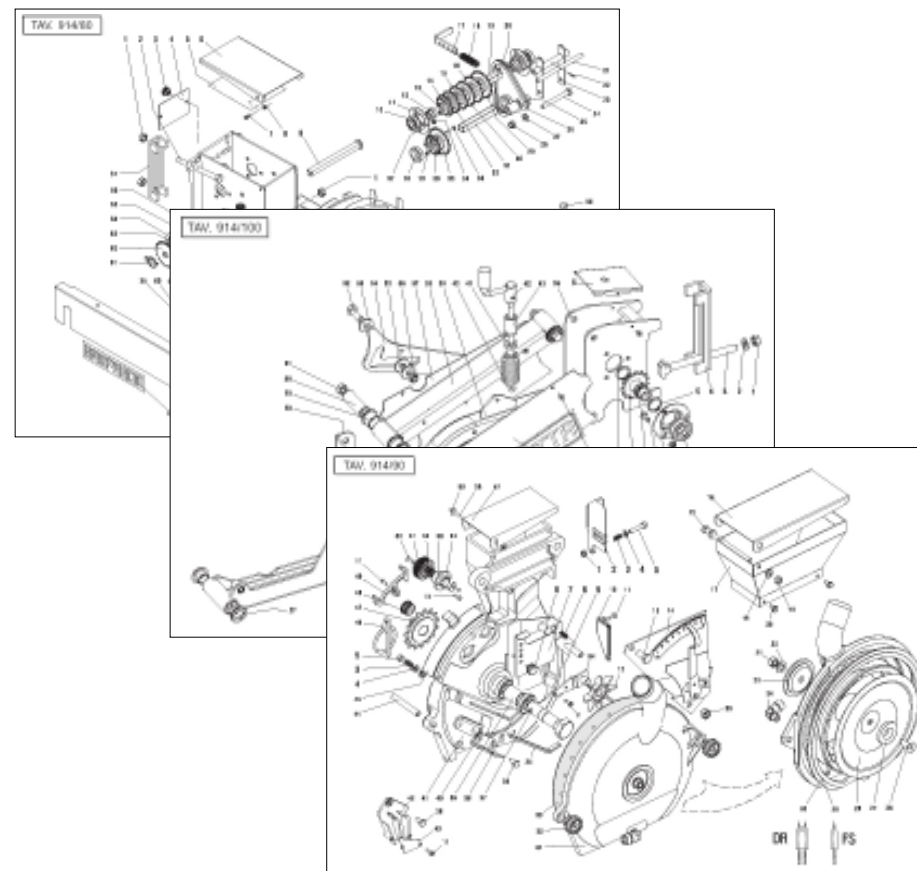


# GASPARDO



# ORIETTA

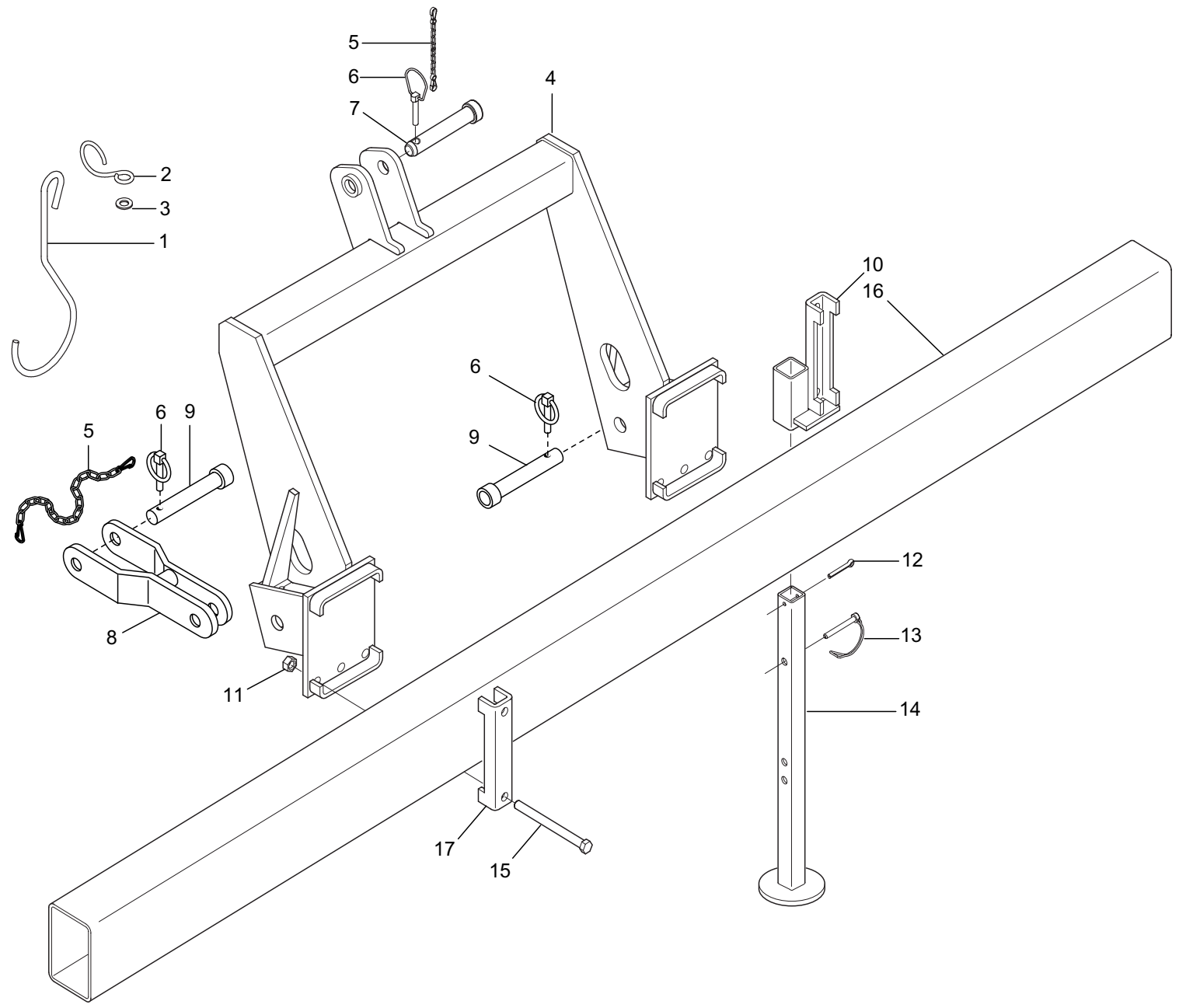
Cod: 19530510 02.2004

# GASPARDO

- IT** PARTI DI RICAMBIO
- GB** SPARE PARTS
- DE** ERSATZTEILE
- FR** PIÈCES DÉTACHÉES
- ES** PIEZAS DE REPUESTO

ITALIANO	ENGLISH	DEUTSCH	FRANÇAIS	ESPAÑOL
<b>PARTI DI RICAMBIO</b>	<b>SPARE PARTS</b>	<b>ERSATZTEILE</b>	<b>PIECES DÉTACHÉES</b>	<b>RESPUESTOS</b>
<p>Le ordinazioni delle parti di ricambio vanno fatte presso i nostri concessionari di zona e devono essere sempre corredate dalle seguenti indicazioni:</p> <ul style="list-style-type: none"> <li>- <b>Tipo, modello e numero di matricola dell'attrezzatura.</b> Tali dati sono stampigliati nell'apposita targhetta di cui è dotata ogni attrezzatura.</li> <li>- <b>Numero di codice della parte richiesta</b> rilevabile dal catalogo ricambi.</li> <li>- <b>Descrizione del particolare e quantità richiesta.</b></li> <li>- <b>Numero della tavola.</b></li> <li>- <b>Mezzo di trasporto.</b> Nel caso questa voce non sia specificata, la Ditta Costruttrice, pur dedicando a questo servizio una particolare cura, non risponde di eventuali ritardi di spedizione dovuti a cause di forza maggiore. Le spese di trasporto si intendono sempre a carico del destinatario. La merce viaggia a rischio e pericolo del committente anche se venduta franco destino.</li> </ul> <p><b>NOTA:</b> Il termine <b>(Dx) Destro</b> o <b>(Sx) Sinistro</b> della macchina o di parti di essa, è inteso guardando la macchina dalla parte posteriore. Le eccezioni saranno indicate.</p>	<p><i>Orders must be transmitted through our area dealers and should always include the following indications:</i></p> <ul style="list-style-type: none"> <li>- <b>Type, model and serial number of the machine.</b> <i>These data are punched on the data plate with which every implement is equipped.</i></li> <li>- <b>Code number of the required spare part.</b> <i>This will be found in the spare parts catalogue.</i></li> <li>- <b>Description of the part and required quantity.</b></li> <li>- <b>Table number.</b></li> <li>- <b>Means of dispatch.</b> <i>If this item is not indicated, the Manufacturer, while dedicating particular care to this service, shall not be held responsible for delays in delivery caused by cases of force majeure. Transport expenses shall always be at the consignee's charge. The goods travel at the purchaser's risk and peril even when sold ex destination.</i></li> </ul> <p><b>NOTE:</b> <i>The symbols (Dx) right and (Sx) left, concerning the machine or single parts of it, are referred, as in the figure, to a rear view of them. Exceptions will be indicated.</i></p>	<p>Die Bestellungen müssen bei unseren Gebietshändlern aufgegeben werden. Bei der Bestellung sind stets die folgenden Angaben zu machen:</p> <ul style="list-style-type: none"> <li>- <b>Typ, Modell und Serien-Nummer des Geräts.</b> Diese Daten stehen auf dem Typenschild, mit dem jedes Gerät versehen ist.</li> <li>- <b>Artikel Nr. der erforderlichen Ersatzteile.</b> Diese stehen im Ersatzteil-Katalog.</li> <li>- <b>Beschreibung des Ersatzteils und die erforderliche Stückzahl.</b></li> <li>- <b>Tafelnummer.</b></li> <li>- <b>Versandmittel.</b> Wenn dieser Punkt nicht spezifiziert wird, haftet die Herstellerfirma nicht für etwaigen Lieferverzug aufgrund höherer Gewalt, auch wenn er diesen Service besonders aufmerksam abwickelt. Die Frachtkosten gehen dagegen immer zu Lasten des Empfängers. Die Ware reist auf Gefahr und Risiko des Auftraggebers, auch wenn frei Haus Verkauft vereinbart worden ist.</li> </ul> <p><b>N.B.:</b> Die Merkzeichen <b>(Dx) rechts</b> und <b>(Sx) links</b> betreffen eine rückwärtige Aussicht der Maschine oder Teile von ihr (siehe Bild). Ausnahmen werden gezeigt.</p>	<p><i>Les ordres doivent être effectués auprès de nos concessionnaires de zone en précisant les indications suivantes:</i></p> <ul style="list-style-type: none"> <li>- <b>Type, modèle et numéro de série de la machine.</b> <i>Ces données sont gravées sur la plaque d'identification de chaque outil.</i></li> <li>- <b>Numéro de code de la pièce détachée</b> indiqué sur le catalogue des pièces détachées.</li> <li>- <b>Description de la pièce et quantité requise.</b></li> <li>- <b>Numéro de plan.</b></li> <li>- <b>Moyen d'expédition.</b> <i>Si cette rubrique n'est pas indiquée, le Constructeur, bien que soucieux de ce service, ne répond pas des retards d'expédition pour des causes de force majeure. Les frais de transport sont toujours à la charge du destinataire. La marchandise voyage aux risques et périls de l'acheteur même si vendue franco de port.</i></li> </ul> <p><b>N.B.:</b> <i>Les références (Dx) droit et (Sx) gauche de la machine ou des parties de la même, est entendue, comme de la figure, en regardant la machine de derriere dans le sens de marche.</i></p>	<p>Los pedidos han de efectuarse en nuestros concesionarios de zona y deben incluir siempre las siguientes indicaciones:</p> <ul style="list-style-type: none"> <li>- <b>Tipo, modelo y número de matrícula del equipo.</b> Dichos datos están impresos en la relativa placa presente en el equipo.</li> <li>- <b>Número de código de la parte requerida</b> presente en el catálogo respuestos.</li> <li>- <b>Descripción de la pieza y cantidad requerida.</b></li> <li>- <b>Numero de ilustración.</b></li> <li>- <b>Medio de transporte.</b> En caso que este ítem no esté especificado, el Fabricante, aún prestando la debidas consideraciones para este aspecto, no responde por eventuales retardos de env'o debidos a causas de fuerza mayor. Los gastos de transporte se consideran siempre a cargo del destinatario. La mercadería viaja bajo riesgo y peligro del comprador, incluso cuando se vende franco destino.</li> </ul> <p><b>N.B.:</b> La refencia <b>(Dx) derecha</b> o <b>(Sx) izquierda</b> de la máquina o de sus componentes, se entiende, como en la figura, mirando la máquina por la parte trasera. Se indicarán las excepciones.</p>

<b>N° Tavola</b>	<b>Descrizione</b>	<b>Pagina</b>
TAV. 914/10	Telaio e attacco 3 punti	4
TAV. 914/20	Segnafile	6
TAV. 914/30	Segnafile rinforzato	8
TAV. 914/40	Comando segnafile oleodinamico	10
TAV. 914/50	Comando segnafile meccanico	12
TAV. 914/60	Depressore	14
TAV. 914/70	Impianto aspirazione e soffiaggio	18
TAV. 914/80	Ruota di trasmissione	20
TAV. 914/90	Distributore semi	24
TAV. 914/100	Telaio elemeto	26
TAV. 914/110	Seminatore - Falcioni assolcatori	28
TAV. 914/120	Bilanciere	30
TAV. 914/130	Ruotini di compressione	32
TAV. 914/140	Ruotini "DR"	34
TAV. 914/150	Supporti serbatoi spandiconcime plastica	36
TAV. 914/160	Serbatoi spandiconcime plastica	38
TAV. 914/170	Supporti serbatoi spandiconcime ferro	42
TAV. 914/180	Serbatoi spandiconcime ferro	44
TAV. 914/190	Microgranulatore	48
TAV. 914/200	Trasmissione spandiconcime e microgranulatore	52
TAV. 914/210	Concimazione pneumatica	54
TAV. 914/220	Speedy set	58
TAV. 914/230	Rullo anteriore	60
TAV. 914/240	Accessori	62

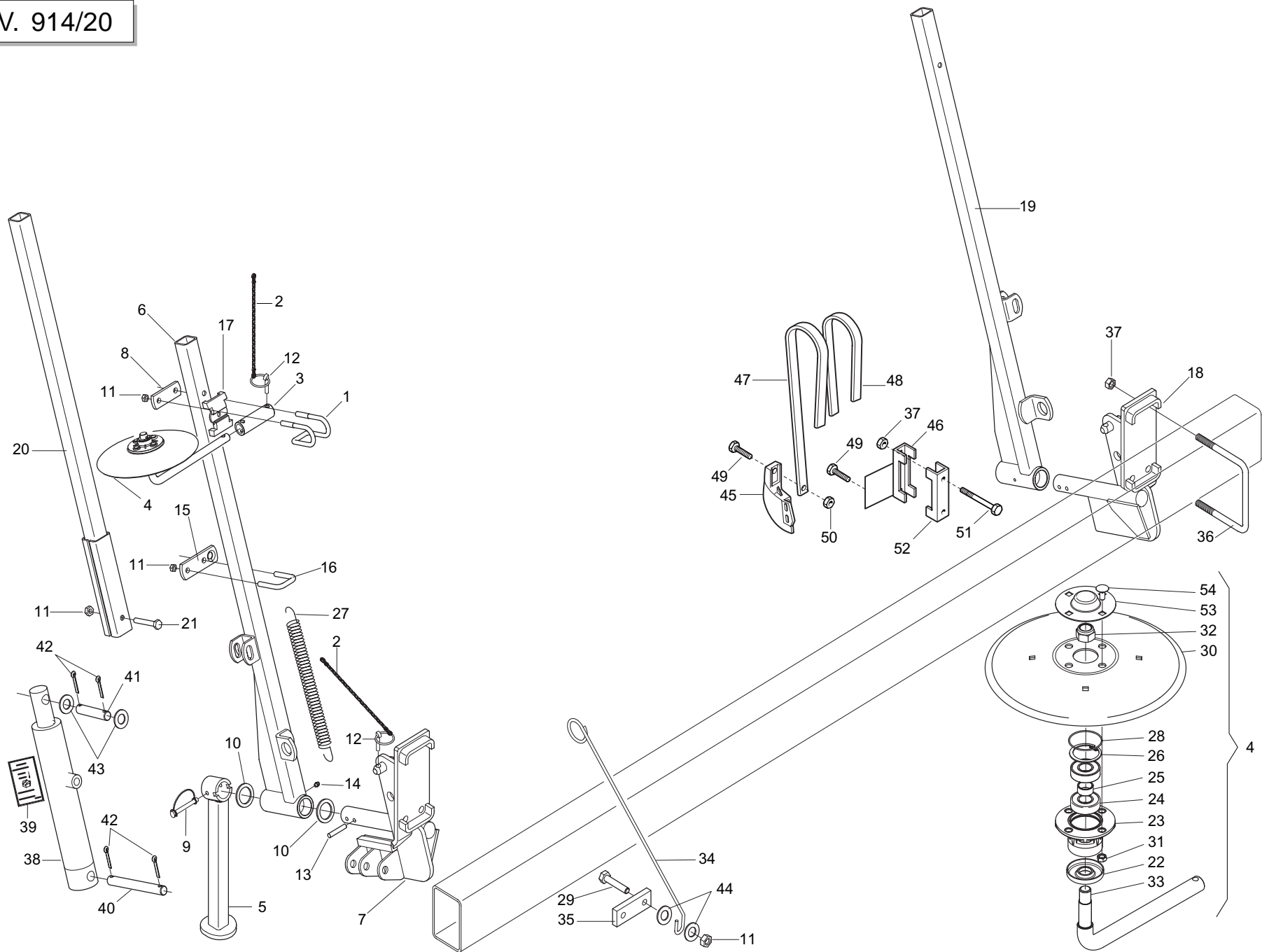




**TELAIO ED ATTACCO TERZO PUNTO**

**TAV. 914/10**

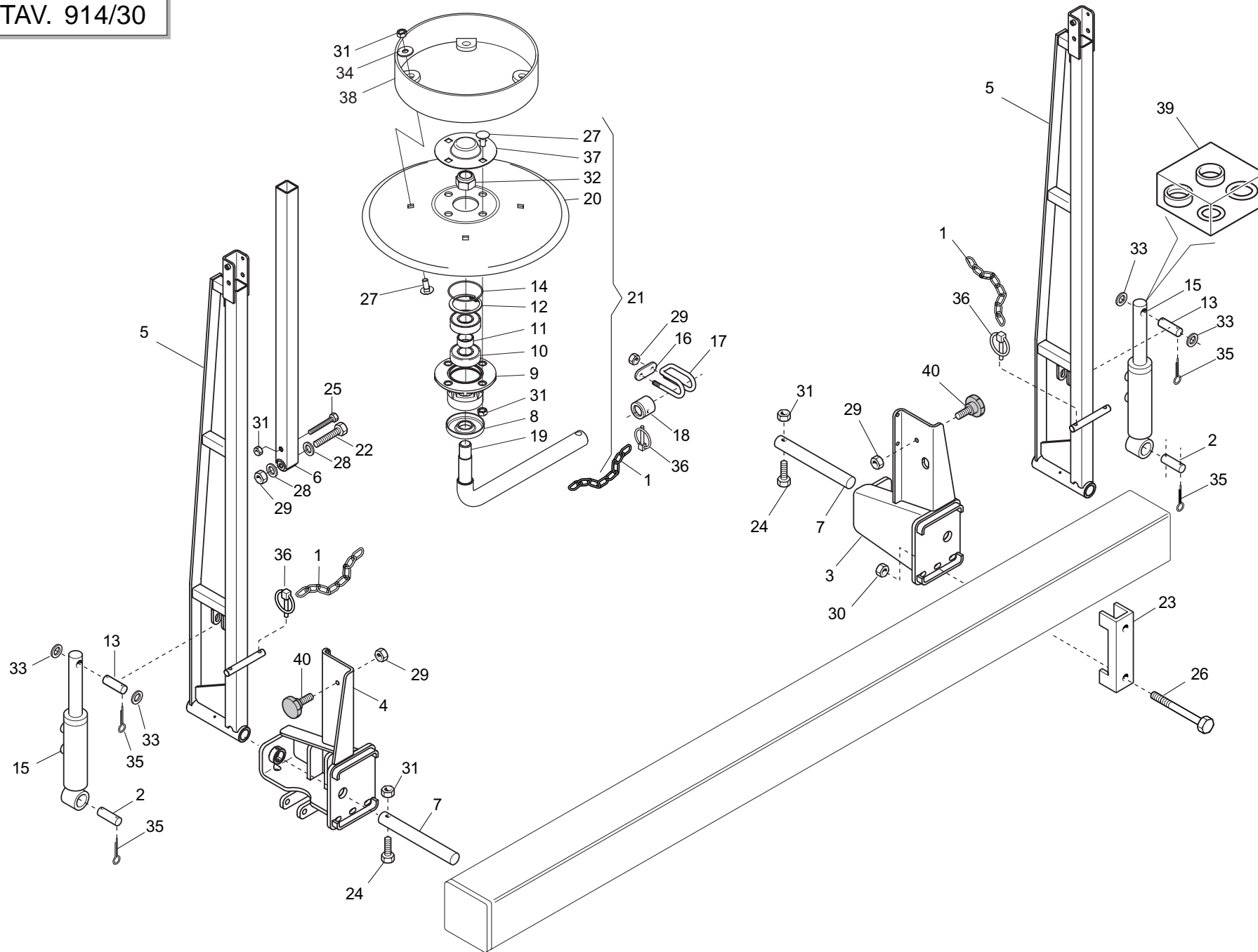
Pos.	Cod.	Descrizione	Description	Description	Benennung	Descripcion
1	15411190	GANCIO SOSTEGNO CARDANO	UNIVERSAL JOINT SUPPORT HOOK	CROCHET SOUTIEN CARDAN	KARDANSTSTZHAKEN	GANCHO SOTN CARDAN C
2	65336004	MOLLA SPEC.ZN AGG.SEMINAT. SP	SPEC SPRING- ZN ADD. SEEDER SP	RESSORT SPEC. ZNATTELAGE SEME	SPEZIALFEDER ZN SZELEM. KUPPL.	MUELLE ESPEC. ZN CONEX. SEMBRA
3	44953006	RONDELLA D14 UNI 6592 ZN	WASHER D14 UNI 6592 GALVANIZED	RONDELLE D14 UNI 6592 ZN	UNTERLEGSCHEIBE D14 UNI 6592 Z	ARANDELA D14 UNI 6592 ZN
4	15211770	TERZO PUNTO RINF.150	THIRD POINT REINFORCEMENT 150	TROISIEME POINT RENFORCE	DRITTER PUNKT VERSTZRKT	TERCER PUNTO REF.
5	13812311	CATENELLA CON MOSCHETTONE	CHAIN WITH SPRING CATCH	CHAINETTE AVEC MOUSQUETON	KETTE MIT KARABINERHAKEN	CADENA CON GANCHO
6	45965007	SPINA A SCATTO D 9 B/83	SNAP PIN D 9 B/83	FICHE A DETENTE D. 9 B/83	EINRASTSTIFT D 9 B/83	CLAVIJA DE MUELLE D 9 B/83
7	15412340	SPINA GASPARD0 25X128	GASPARD0 PIN 25X128	BROCHE GASPARD0 25X128	STIFT GASPARD025X128	CLAVIJA GASPARD0 25X128
8	15410122	PRIMO/SECONDO PUNTO	FIRST/SECOND POINT	PREMIER/DEUXIEME POINT	ERSTER/ZWEITER PUNKT	PRIMER/SEGUNDO PUNTO
9	15412330	SPINA GASPARD0 28X99	GASPARD0 PIN 28X99	BROCHE GASPARD0 28X99	STIFT GASPARD0 28X99	CLAVIJA GASPARD0 28X99
10	15410471	SUPP.PUNTELLO TEL.150	PROP SUPPORT TEL.150	SUPP. ETRESILLON TEL.150	HALTERUNG RAHMENSTSTZE 150	SOPORTE PUNTAL BASTIDOR 150
11	43530009	DADO 14 5588 6.8 ZN	NUT 14 UNI 5588 6.8 GALVANIZED	ECROU 14 UNI 5588 6.8 ZN	MUTTER 14 UNI 5588 6.8 ZN	TUERCA 14 UNI 5588 6.8 ZN
12	45961109	COPIGLIA 6 X45 1336 ZN	SPLIT PIN 6 X45 1336 GALVAN.	GOUPILLE 6 X45 1336 ZN	SPLINT 6 X45 1336 ZN	PASADOR 6 X45 1336 ZN
13	45965013	SPINA DI SICUREZZA D.12X70 ZN	GALVAN. SAFETY PIN D.12X70	GOUPILLE DE S+CURIT+ D.12X70 Z	SCHERSTIFT D.12X70 ZN	PASADOR DE SEGURIDAD 12X70 Z
14	15410492	PUNTELLO	PROP	+TR+SILLON	ST_TZE	PUNTAL
15	41601101	VITE 14 X160 5737 8.G	BOLT M 14 X160 5737 8.G	VIS M 14 X160 5737 8.G	SCHRAUBE M 14 X160 5737 8.G	TORNILLO M 14 X160 5737 8.G
16	16610040	TUBO RET.150X100X1900	RECTANGULAR PIPE 150X100X1900	TUBE RECTANGULAIRE 150X100X190	RECHTECK.ROHR150X100X1900	TUBO RECT.150X100X1900
16	16610050	TUBO R.150X100X2480	RECTANGULAR PIPE 150X100X248	TUBE RECT.150X100X6X2480	R. ROHR150X100X6X2480	TUBO RECT.150X100X6X2480
16	16610060	TUBO R.150X100X3500	RECTANGULAR PIPE 150X100X3500	TUBE RECT.150X100X3500	R. ROHR150X100X3500	TUBO RECT.150X100X3500
16	16610070	TUBO R.150X100X4200	RECTANGULAR PIPE 150X100X4200	TUBE RECT.150X100X4200	R. ROHR150X100X4200	TUBO RECT.150X100X4200
16	16610080	TUBO R.150X100X6X2750	RECTANGULAR PIPE 150X100X6X275	TUBE RECT.150X100X6X2750	R. ROHR150X100X6X2750	TUBO RECT.150X100X6X2750
16	15211250	TUBO R.150X100X6X2990	RECTANGULAR PIPE 150X100X6X299	TUBE RECT.150X100X6X2990	R. ROHR150X100X6X2990	TUBO RECT.150X100X6X2990
17	15110091	SCONTRO A U	STRIKER	BRIDE 150 MM	ANSCHLAG	ELEMENTO DE EMPALME



# SEGNAFILE

TAV. 914/20

Pos.	Cod.	Descrizione	Description	Description	Benennung	Descripcion
1	16610230	CAVALLOTTO MANICOTTO DISCO	DISK SLEEVE U BOLT	ETRIER MANCHON DISQUE	_BERBR_KCUNG MUFFE SCHEIBE	ABRAZADERA MANGUITO DE DISCO
2	13812311	CATENELLA CON MOSCHETTONE	CHAIN WITH SPRING CATCH	CHAINETTE AVEC MOUSQUETON	KETTE MIT KARABINERHAKEN	CADENA CON GANCHO
3	17111290	MANICOTTO DISCO	DISC COUPLING SLEEVE	MANCHON DISQUE	SCHEIBENMUFFE	MANGUITO DISCO
4	16610200	DISCO D.320 COMPL	DISK D.320 COMPL	DISQUE D.320 COMPLET	SCHEIBE D.320 KOMP	DISCO D.320 COM
5	15412720	PUNTELLO	PROP	+TR+SILLON	ST_TZE	PUNTAL
6	15412690	BRACCIO SEGNAFILE SX *	ROW MARKER ARM L.T	BRAS TRACEUR GAUCHE	SPURREISSERARM LI	BRAZO MARCADOR SURCOS IZQDO
7	15412680	SUPPORTO SEGNAFILE SX	LEFT ROWMARKER SUPPORT	0	0	SOPORTE MARCAFILE SX
8	23440198	SCONTRO ATTACCO BRACCIO HL/2	STRIKER PLATE ARM ATTACH. HL/2	BUTEE FIXATION BRAS HL/2	ARMKUPPLUNGSANSCHLAG HL/2	ELEMENTO DE EMPALME CONEXIN BC
9	45965010	SPINA DI SICUREZZA D.8X70 ZN	SAFETY PIN D.8X70 ZN	FICHE DE SECURITE D. 8X70 ZN	SICHERHEITSTIFT D.8X70 ZN	CLAVIJA DE SEGURIDAD D.8X70 ZN
10	18701600	RONDELLA 35,5 X50 X3 ZN	WASHER 35.5 X 50 X 3- GALVANIZ	RONDELLE 35-5 X50 X3 ZN	UNTERLEGSSCHEIBE 35-5 X50 X3	ARANDELA 35-5 X50 X3 ZN
11	43530007	DADO 10 5588 6.8 ZN	SCREW 10 UNI 5588 6.8 GALVANIZ	ECROU 10 UNI 5588 6.8 ZN	MUTTER 10 UNI 5588 6.8 ZN	TUERCA 10 UNI 5588 6.8 ZN
12	45965007	SPINA A SCATTO D 9 B/83	SNAP PIN D 9 B/83	FICHE A DETENTE D. 9 B/83	EINRASTSTIFT D 9 B/83	CLAVIJA DE MUELLE D 9 B/83
13	46966131	SPINA EL.8 X55 DIN 1481	PIN EL. .8 X55 DIN 1481	FICHE EL.8 X55 DIN 1481	SPANNSTIFT 8 X55 DIN 1481	CLAVIJA EL.8 X55 DIN 1481
14	47969001	INGRASS.A SFERE M6X1/A	SPHERE NIPPLE M6X1/A	GRAISSEUR A BILLES M6X1/A	KUGELFETTBSCHSE M6X1/A	ENGRAS. DE ESFERAS M6X1/A
15	15412810	ATTACCO FUNE SEGNAFILE	ROW MARKER ROPE LINKAGE	FIXATION CABLE TRACEUR	SEILKUPPLUNG SPURANZEIGER	CONEXIÓN CABLE MARCADOR DE FIL
16	16240500	CAVALLOTTO ZN	U-BOLT GALVAN	CAVALIER ZN	BsGELBOLZEN	PERNO EN U ZN
17	19203740	ELEMENTO FISSAGGIO GAMBO ZN.	GALVAN. SHANK FASTENING ELEMEN	ELEMENT FIXATION TIGES ZN	BEFESTIGUNGSELEMENT SCHZCHTE Z	ELEMENTO SUJECIN VµSTAGOS ZN
18	15412850	SUPPORTO SEGNAFILE DX	RIGHT ROWMARKER SUPPORT	0	0	SOPORTE MARCAFILE DX
19	15412860	BRACCIO SEGNAFILE DX *	ROW MARKER ARM R.T	BRAS TRACEUR DROIT	SPURREISSERARM RE	BRAZO MARCADOR SURCOS DCHO
20	15412780	PROLUNGA BRACCIO SEGNAFILE	ROWMARKER EXTENSION	RALLONGE TRACEUR SOL.	VERLZNGERUNG SPURREISSER	PROLONG. MARC. DE FILAS
21	41602044	VITE 10X70 5737 8.G ZN	BOLT 10X70 5737 8.G GALVANIZED	VIS 10X70 5737 8.G ZN	SCHRAUBE 10X70 5737 8.G ZN	TORNILLO 10X70 5737 8.G ZN
22	19203730	FONDELLO ZN	GALVAN. HOLDER	FOND ZN	BODENSCHLEIBE ZN	FONDO ZN
23	16610160	SUPP.CUSCINETTI DISCO SEGN.ZN.	GALVAN. ROWMAKER DISK BEARING	SUPPORT ROULEMENTS DISQUE TRAC	SCHIEBENLAGERHALTERUNG	SOPORTE COJINETE DE DISCO MARC
24	51105408	CUSCINETTO 6204 2RS	BEARING 6204 2RS	ROULEMENT 6204 2RS	LAGER 6204 2RS	COJINETE 6204 2RS
25	18801270	BOCCOLA 21 X25 X12 ZN	BUSHING 21 X 25 X 12 ZN	BOITE 21 X25 X12 ZN	BsCHSE 21 X25 X12 ZN	CASQUILLO 21 X25 X12 ZN
26	52122038	ANELLO ARR.47 UNI 7437-75	STOP RING 47 UNI 7437-75	BAGUE ARRET 47 UNI 7437-75	RING 47 UNI 7437-75	ANILLO PARADA 47 UNI 7437-75
27	65337004	MOLLA TRAZ.SOLLEV. FU	TRACTION SPRING LIFT. FU	RESSORT TRACT. LEVAGE FU	ZUGFEDER HEBUNG FU	MUELLE TRAC. LEVDEL. FU
28	53230048	GUARNIZIONE OR 2200	O-RING 2200	GARNITURE OR 2200	DICHTUNG OR 2200	JUNTA OR 2200
29	41605042	VITE 10X30 5739 8.G ZN	BOLT 10X30 5739 8.G GALVANIZED	VIS 10X30 5739 8.G ZN	SCHRAUBE 10X30 5739 8.G ZN	TORNILLO 10X30 5739 8.G ZN
30	16610170	DISCO SEGNAFILE D.320	ROW MARKER DISK D.320	DISQUE TRACEUR D320	SPURREISSERSCHEIBE D. 320	DISCO MARCADOR DE FILAS O 320
31	43530006	DADO 8 5588 6.8 ZN	NUT 8 UNI 5588 6.8 GALVANIZED	ECROU 8 UNI 5588 6.8 ZN	MUTTER 8 UNI 5588 6.8 ZN	TUERCA 8 UNI 5588 6.8 ZN
32	43442010	DADO AUTOB.NOR.18 ZN	NORMAL SELF-LOCKING NUT 18 GAL	ECROU AUTOB. NOR. 18 ZN	MUTTER AUTOB.NOR.18 ZN	TUERCA AUTOB. NOR.18 ZN
33	16610180	PERNO REGGIDISCO SEGNAF.	ROWMAKER DISC-HOLDER PIN	PIVOT PORTE-DISQUE TRACEUR	SCHIEBENTRAGBOLZEN	PERNO SOPORTE DISCO MARCAFILE
34	65336135	MOLLA GUIDACORDA D.45	ROPE GUIDE SPRING D.45	RESSORT GUIDE-CORDE D. 45	FEDER SEILFSHRUNG D.45	MUELLE GUA CUERDA D.45 A
35	15470810	SUPPORTO GUIDACORDA SP	ROPE GUIDE SUPPORT SP	SUPPORT GUIDE-CORDE SP	HALTERUNG SEILFSHRUNG SP	SOPORTE GUIACUERDA SP
36	15413150	CAVALLOTTO M14X165-128	U-BOLT M14X165-128	CAVALIER M14X165-128	VERBINDUNG M14X165-128	PERNO EN U M14X165-128
37	43530009	DADO 14 5588 6.8 ZN	NUT 14 UNI 5588 6.8 GALVANIZED	ECROU 14 UNI 5588 6.8 ZN	MUTTER 14 UNI 5588 6.8 ZN	TUERCA 14 UNI 5588 6.8 ZN
38	14217360	CILINDRO SEGNAF.30X40-155	ROWMARKER CYLINDER.D.30X40-155	CYLINDRE TRACEUR 30X40-155	ZYLINDER SPURREISSER.30X40-155	CILINDRO MARC.FILAS 35X40-155
39	19702710	DECAL.POSIZIONE STROZZATORE	VENTURI POSITION STICKER	DECALCOM POSITION TAQUET	ABZIEHBILD POSIZION DROSSELSTE	CALCOMAN-A. POSICIÉN ESTRANGUL
40	15413020	SPINA 15X120 ZN	GALVANIZED PIN 15X120	GOUPILE 15X120 ZN	STIFT 15X120 ZN	CLAVIJA 15X120 ZN
41	15413010	SPINA 15X62 ZN	PIN 15X62 ZN	GOUPILE 15X62 ZN	BOLZENSTIFT 15X62 ZN	PASADOR 15X62 ZN
42	45961061	COPIGLIA 4 X25 1336 ZN	SPLIT PIN 4 X25 1336 GALVAN.	GOUPILE 4 X25 1336 ZN	SPLINT 4 X25 1336 ZN	PASADOR 4 X25 1336 ZN
43	20970142	RONDELLA 32X4X15,5	WASHER 32X4X15-5	RONDELLE 32X4X15-5	UNTERLEGSSCHEIBE 32X4X15-5	ARANDELA 32X4X15-5
44	20970111	RONDELLA 29,8X2X16,5	WASHER 29,8X2X16,5	RONDELLE 29,8X2X16,5	UNTERLEGSSCHEIBE 29,8X2X16,5	ARANDELA 29,8X2X16,5
45	13811261	FALCIONE SEGNAFILE INT.	INNER ROWM. CUTTER	HACHOIR TRACEUR INT.	SZSCHAR SPURREISSER INNEN	GUADAFADORA MARCADOR DE HILE
46	15470232	SUPPORTO MOLLA PIATTA 150	FLAT SPRING SUPPORT 150	SUPPORT RESSORT PLAT 150	HALTERUNG FLACHFEDER 150	SOPORTE MUELLE PLANO 150
47	18901092	GAMBO CONCIMAZ.MOLLA PIATTA SP	FLAT SPRING MANURING LEG SP	TIGE FUMAGE RESSORT PLAT SP	SCHAFT DsNGUNG FLACHE FEDER SP	VæSTAGTO ABONO MUELLE CHATO SP
48	18902861	RINF.MOLLA PIATTA CONCIM.SP	MANUR.PLATE SPRING REINFORCE.S	RENF. RESSORT PLAT FUMAGE SP	VERSTRZKUNG FLACHFEDER DsNGUNG	REFUERZO MUELLE ABONO SP
49	41605051	VITE 12X35 5739 8.G ZN	BOLT 12X35 5739 8.G GALVANIZED	VIS 12X35 5739 8.G ZN	SCHRAUBE 12X35 5739 8.G ZN	TORNILLO 12X35 5739 8.G ZN
50	43530008	DADO 12 5588 6.8 ZN	NUT 12 UNI 5588 6.8 GALVANIZED	ECROU 12 UNI 5588 6.8 ZN	MUTTER 12 UNI 5588 6.8 ZN	TUERCA 12 UNI 5588 6.8 ZN
51	41602124	VITE 14X220 5737 8.G ZN	BOLT 14X220 5737 8.G GALVANIZ.	VIS 14X220 5737 8.G ZN	SCHRAUBE 14X220 5737 8.G ZN	TORNILLO 14X220 5737 8.G ZN
52	15110091	SCONTRO A U	STRIKER	BRIDE 150 MM	ANSCHLAG	ELEMENTO DE EMPALME
53	15211910	BRACCIO SEGNAFILE SX	LEFT ROW MARKER ARM ASSEMBLY	GR. BRAS TRACEUR GCH	EINHEIT REIHENANREISSERARM LI	BRAZO MARCADOR DE FILAS IZQ
54	15211930	BRACCIO SEGNAFILE DX	RIGHT ROW MARKER ARM ASSEMBLY	GR. BRAS TRACEUR DRT	EINHEIT REIHENANREISSERARM RE	BRAZO MARCADOR DE FILAS DER
55	16610190	CHIUSURA CUSCINETTO ZN	GALVAN. BEARING CLOSURE	FERMETURE ROULEMENT ZN	LAGERVERSCHLUSS ZN	CIERRE COJINETE ZN
56	41182001	VITE 8 X20 5732 4.6 ZN	BOLT 8 X20 5732 4.6 GALVANIZED	VIS 8 X20 5732 4.6 ZN	SCHRAUBE 8 X20 5732 4.6 ZN	TORNILLO 8 X20 5732 4.6 ZN

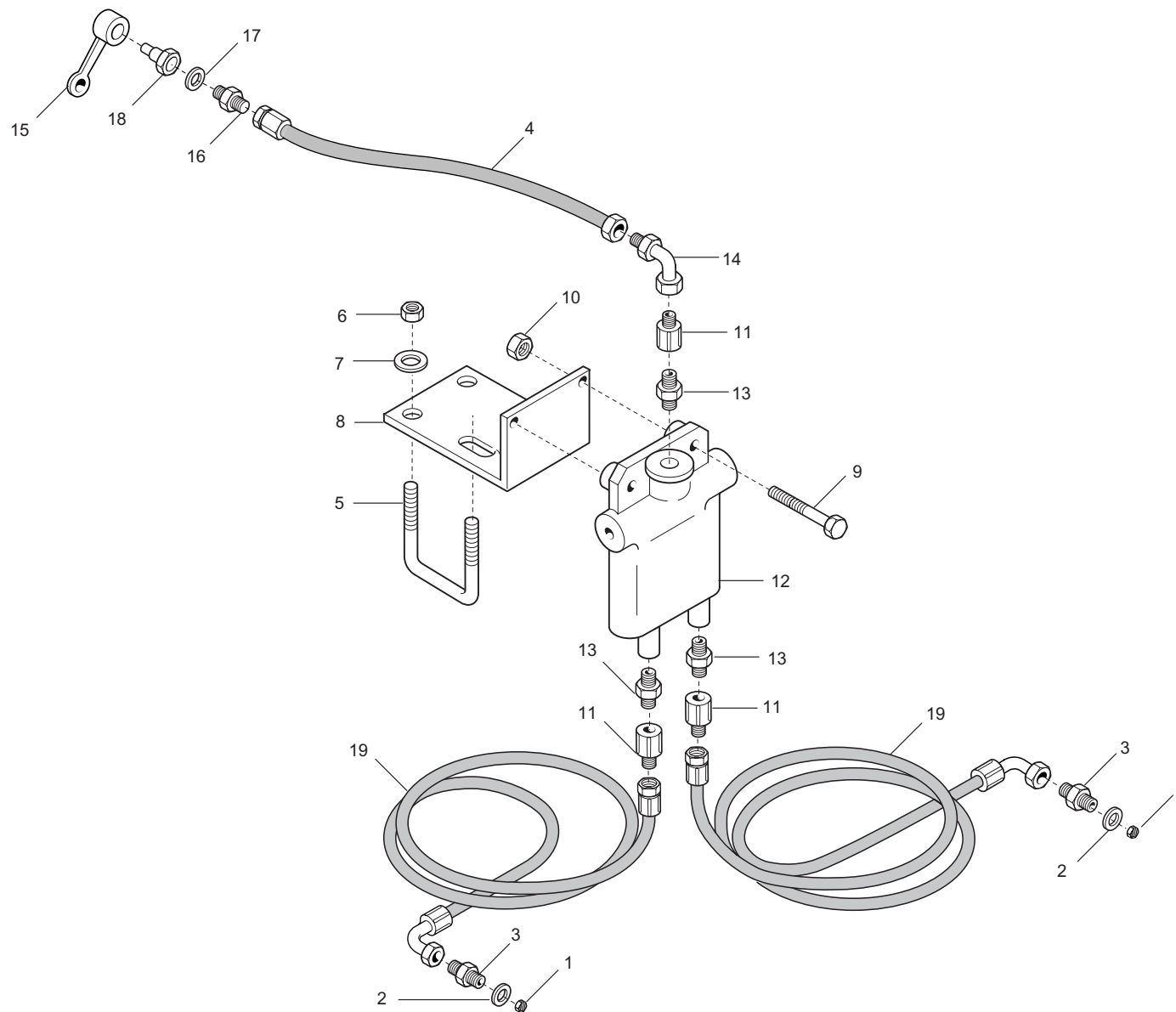


# SEGNAFIL RINFORZATO

TAV. 914/30

Pos.	Cod.	Descrizione	Description	Description	Benennung	Description
1	13812311	CATENELLA CON MOSCHETTONE	CHAIN WITH SPRING CATCH	CHAINETTE AVEC MOUSQUETON	KETTE MIT KARABINERHAKEN	CADENA CON GANCHO
2	15413020	SPINA 15X120 ZN	GALVANIZED PIN 15X120	GOUPILLE 15X120 ZN	STIFT 15X120 ZN	CLAVIJA 15X120 ZN
3	15411381	SUPPORTO BRACCIO DX	RIGHT ARM SUPPORT	RACLEUR GCH BAGUE	HALTERUNG ARM RE	SOPORTE BRAZO DER
4	15411391	SUPPORTO BRACCIO SX	LEFT ARM SUPPORT	SUPPORT BRAS GCH	HALTERUNG ARM LI	SOPORTE BRAZO IZQ
5	15411471	BRACCIO SEGNAFILE FRANCIA	FRENCH ROWMARKER ARM	BRAS TRACEUR	SPURREISSERARM	BRAZO MARCADOR DE FILAS
6	16912250	BRACCIO SEGNAFILE	ROW MARKER ARM	BRAS TRACEUR	SPURREISSERARM	BRAZO MARCADOR SURCOS
7	14215830	ASSE SEGNAFILE ZN	GALVAN. ROWMAKER AXLE	AXE BRAS TRACEUR ZN	REISSERASCHE	EJE MARCADOR DE FILAS
8	19203730	FONDELLO ZN	GALVAN. HOLDER	FOND ZN	BODENSCHLEIBE ZN	FONDO ZN
9	16610160	SUPP.CUSCINETTI DISCO SEGN.ZN.	GALVAN. ROWMAKER DISK BEARING	SUPPORT ROULEMENTS DISQUE TRAC	SCHLEIBENLAGERHALTERUNG	SOPORTE COJINETE DE DISCO MARC
10	51105408	CUSCINETTO 6204 2RS	BEARING 6204 2RS	ROULEMENT 6204 2RS	LAGER 6204 2RS	COJINETE 6204 2RS
11	18801270	BOCCOLA 21 X25 X12 ZN	BUSHING 21 X 25 X 12 ZN	BOITE 21 X25 X12 ZN	BsCHSE 21 X25 X12 ZN	CASQUILLO 21 X25 X12 ZN
12	52122038	ANELLO ARR.47 UNI 7437-75	STOP RING 47 UNI 7437-75	BAGUE ARRET 47 UNI 7437-75	RING 47 UNI 7437-75	ANILLO PARADA 47 UNI 7437-75
13	22270186	SPINA INF.CILINDRO SEGN. SP	LOWER CYLINDR. ROWMARKER PIN S	BROCHE INF.CYLINDRE TRACEUR SP	SPURREISSER UNT. ZYLINDER STIF	CLAVIJA INF.CILINDRO MARC. FIL
14	53230048	GUARNIZIONE OR 2200	O-RING 2200	GARNITURE OR 2200	DICHTUNG OR 2200	JUNTA OR 2200
15	16610140	CILINDRO DE 30X40-155	CYLINDER D.E.30-40/155	CYLINDRE D.E. 30-40/155	ZYLINDER D.E.30-40/155	CILINDRO D.E. 30-40/155
16	22280042	SCONTRO ATTACCO DISCO ID	STRIKER PLATEDISK ATT. ID	BUTEE FIXATION DISQUE ID	SCHLEIBENKUPPLUNGS-ANSCHLAG ID	ELEMENTO DE EMPALME CONEXIN DC
17	22280045	ATTACCO DISCO ID	DISK COUPLING - ID	FIXATION DISQUE ID	KUPPLUNG SCHEIBE ID	CONEXIN DISCO ID O
18	17111290	MANICOTTO DISCO	DISC COUPLING SLEEVE	MANCHON DISQUE	SCHLEIBENMUFFE	MANGUITO DISCO
19	16610180	PERNO REGGIDISCO SEGNAF.	ROWMAKER DISC-HOLDER PIN	PIVOT PORTE-DISQUE TRACEUR	SCHLEIBENTRAGBOLZEN	PERNO SOPORTE DISCO MARCAFILE
20	16610170	DISCO SEGNAFILE D.320	ROW MARKER DISK D.320	DISQUE TRACEUR D320	SPURREISSERSCHLEIBE D. 320	DISCO MARCADOR DE FILAS O 320
21	16610220	DISCO D.320 LIMITATORE COMPL	LIMITER DISK D.320 COMPL	DISQUE LIMITEUR D.320 COMPLET	BREGENZERSCHLEIBE D.320 KOMP	DISCO LIMITADOR D.320 COM
22	41602063	VITE 12X90 5737 8.G ZN	BOLT 12X90 5737 8.G GALVANIZED	VIS 12X90 5737 8.G ZN	SCHRAUBE 12X90 5737 8.G ZN	TORNILLO 12X90 5737 8.G ZN
23	15110091	SCONTRO A U	STRIKER	BRIDE 150 MM	ANSCHLAG	ELEMENTO DE EMPALME
24	41602028	VITE 8 X60 5737 8.G ZN	BOLT 8 X60 5737 8.G GALVANIZED	VIS 8 X60 5737 8.G ZN	SCHRAUBE 8 X60 5737 8.G ZN	TORNILLO 8 X60 5737 8.G ZN
25	41602033	VITE 8 X90 5737 8.G ZN	BOLT 8 X90 5737 8.G GALVANIZED	VIS 8 X90 5737 8.G ZN	SCHRAUBE 8 X90 5737 8.G ZN	TORNILLO 8 X90 5737 8.G ZN
26	41602124	VITE 14X220 5737 8.G ZN	BOLT 14X220 5737 8.G GALVANIZ.	VIS 14X220 5737 8.G ZN	SCHRAUBE 14X220 5737 8.G ZN	TORNILLO 14X220 5737 8.G ZN
27	41182001	VITE 8 X20 5732 4.6 ZN	BOLT 8 X20 5732 4.6 GALVANIZED	VIS 8 X20 5732 4.6 ZN	SCHRAUBE 8 X20 5732 4.6 ZN	TORNILLO 8 X20 5732 4.6 ZN
28	44953005	RONDELLA D12 UNI 6592 ZN	WASHER D12 UNI 6592 ZN	RONDELLE D12 UNI 6592 ZN	UNTERLEGSCHLEIBE D12 UNI 6592 Z	ARANDELA D12 UNI 6592 ZN
29	43530008	DADO 12 5588 6.8 ZN	NUT 12 UNI 5588 6.8 GALVANIZED	ECROU 12 UNI 5588 6.8 ZN	MUTTER 12 UNI 5588 6.8 ZN	TUERCA 12 UNI 5588 6.8 ZN
30	43530009	DADO 14 5588 6.8 ZN	NUT 14 UNI 5588 6.8 GALVANIZED	ECROU 14 UNI 5588 6.8 ZN	MUTTER 14 UNI 5588 6.8 ZN	TUERCA 14 UNI 5588 6.8 ZN
31	43530006	DADO 8 5588 6.8 ZN	NUT 8 UNI 5588 6.8 GALVANIZED	ECROU 8 UNI 5588 6.8 ZN	MUTTER 8 UNI 5588 6.8 ZN	TUERCA 8 UNI 5588 6.8 ZN
32	43442010	DADO AUTOB.NOR.18 ZN	NORMAL SELF-LOCKING NUT 18 GAL	ECROU AUTOB. NOR. 18 ZN	MUTTER AUTOB.NOR.18 ZN	TUERCA AUTOB. NOR.18 ZN
33	44953006	RONDELLA D14 UNI 6592 ZN	WASHER D14 UNI 6592 GALVANIZED	RONDELLE D14 UNI 6592 ZN	UNTERLEGSCHLEIBE D14 UNI 6592 Z	ARANDELA D14 UNI 6592 ZN
34	44953503	ROND.PIANA 9X 24X2 6593 ZN	FLAT WASHER 9X 24X2 6593 GALV.	ROND. PLATE 9X 24X2 6593 ZN	SCHLEIBE 9X 24X2 6593 ZN	ARAND. PLANA 9X 24X2 6593 ZN
35	45961083	COPIGLIA 5 X30 1336 ZN	SPLIT PIN 5 X30 1336 GALVAN.	GOUPILLE 5 X30 1336 ZN	SPLINT 5 X30 1336 ZN	PASADOR 5 X30 1336 ZN
36	45965007	SPINA A SCATTO D 9 B/83	SNAP PIN D 9 B/83	FICHE A DETENTE D. 9 B/83	EINRASTSTIFT D 9 B/83	CLAVIJA DE MUELLE D 9 B/83
37	16610190	CHIUSURA CUSCINETTO ZN	GALVAN. BEARING CLOSURE	FERMETURE ROULEMENT ZN	LAGERVERSCHLUSS ZN	CIERRE COJINETE ZN
38	16610210	ASS.LIMITATORE PROFONDAITA'	LIMITER DEPTH COUPLYNG	GR. ASS. LIMITEUR DE PROFONDEU	TIEFENBEGRENZERKOMPLEX	CONJ. LIMITADOR DE PROFUNDIDAD
39	53230029	KIT GUARNIZ.CILINDRO 13812061	KIT O-RING CYLINDER 13812061	KIT GARNIT. CYLINDRE 13812061	KIT DICHT.OR ZYLINDER13812061	SET JUNTA OR CILINDRO13812061
40	67004022	PARACOLPI CIL.75X25 M12 781103	RUBBER BUFFER- CYLINDR. 75X25	PARE-CHOC CYL. 75X25 M12 7811	PUFFER ZYL.75X25 M12 781103	PARAGOLPES CIL.75X25 M12 78110

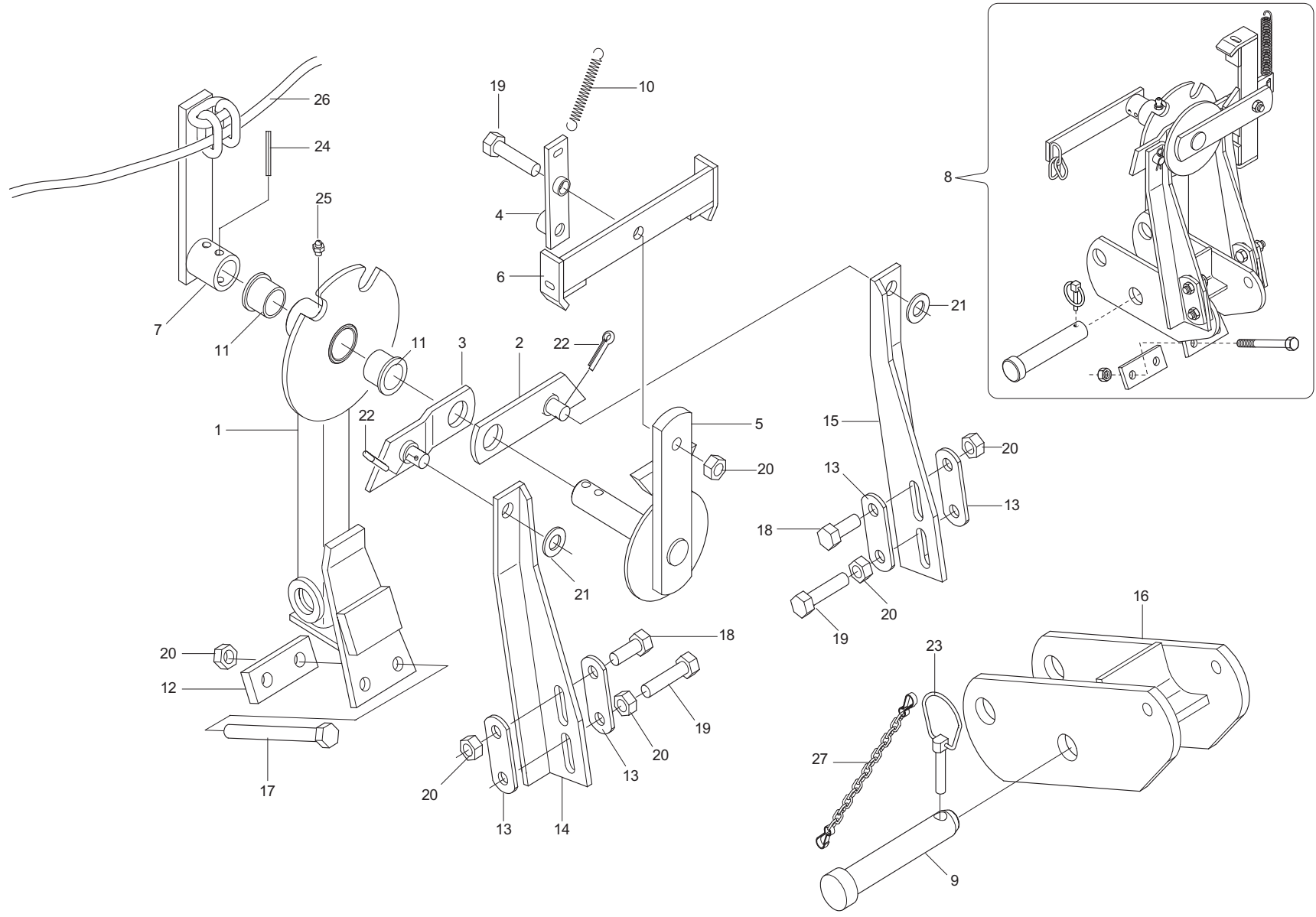
TAV. 914/40



# COMANDO SEGNAFILE OLEODINAMICO

TAV. 914/40

Pos.	Cod.	Descrizione	Description	Description	Benennung	Description
1	15413050	STROZZATORE A PASTIGLIA D.0,8	PAD VENTURI D.0,8	ETRANGLEUR D.0,8	DROSSEL D.0,8	ESTRANGULADOR D.0,8
2	67007269	RONDELLA RAME 1/4	1/4 COPPER WASHER	RONDELLE CUIVRE a	UNTERLEGSCHEIBE KUPFER 1/4	ARANDELA COBRE 1/4
3	67007270	NIPPLO MASCH.CIL.1/4 ZN	NIPPLE GALV.CYLINDR.MALE 1/4	NIPPLE MALE CYL. 1/4 ZN	NIPPELZYL.1/4 ZN	NIPLE MACHO CIL.1/4 ZN
4	22270463	TUB.TR.1/4R2 F-F 1/4 L1500 LM	TUBE TR.1/4R2 F-F1/4 L1500 LM	TUB.TR.1/4R2 F-F 1/4 L1500 LM	ROHR1/4R2 F-F 1/4 L1500 LM	TUB.TR.1/4R2 F-F 1/4 L1500 LM
5	22500068	CAVALLOTTO M 14	M 14 U BOLT	CAVALIER M 14	VERBINDUNG M 14	PERNO EN U M 14
6	43530009	DADO 14 5588 6.8 ZN	NUT 14 UNI 5588 6.8 GALVANIZED	ECROU 14 UNI 5588 6.8 ZN	MUTTER 14 UNI 5588 6.8 ZN	TUERCA 14 UNI 5588 6.8 ZN
7	18700690	RONDELLA 15 X40 X6 ZN	WASHER 15 X 40 X 6 ZN	RONDELLE 15 X40 X6 ZN	UNTERLEGSCHEIBE 15 X40 X6 ZN	ARANDELA 15 X40 X6 ZN
8	15412350	SUPPORTO VALVOLA SEGNAFILE	ROWMARKER VALVE SUPPORT	SUPPORT SOUPAPE TRACEUR	VENTILHALTERUNG SPURREISSE	SOPORTE VALVOLA MARC. DE FILAS
9	41602024	VITE 8 X40 5737 8.G ZN	BOLT 8 X40 5737 8.G GALVANIZED	VIS 8 X40 5737 8.G ZN	SCHRAUBE 8 X40 5737 8.G ZN	TORNILLO 8 X40 5737 8.G ZN
10	43530006	DADO 8 5588 6.8 ZN	NUT 8 UNI 5588 6.8 GALVANIZED	ECROU 8 UNI 5588 6.8 ZN	MUTTER 8 UNI 5588 6.8 ZN	TUERCA 8 UNI 5588 6.8 ZN
11	67007294	PROLUNGA CORTA 036 1/4	SHORT EXTENSION 036 1/4	RALLONGE COURTE 036 1/4	KURZE VERLÄNGERUNG 036 1/4	PROLONG. CORTA 036 1/4
12	67007430	VALVOLA SEGNAFILE C.SQV >	ROW MARKER VALVE ATI C128513	SOUPAPE TRACEUR C.SQV	VENTIL SPURREISSE ATI C128513	VALVOLA MARCAFILAS ATI C128513
13	67007475	NIPPLO 3/4 JIC OR - 1/4	NIPPLE- 3/4 JIC OR - 1/4	NIPPLE 3/4 JIC OR - 1/4	NIPPEL 3/4 JIC OR - 1/4	NIPLE 3/4 JIC OR - 1/4
14	67007432	CURVA 90° F.GIREV.1/4 - M.1/4	ELBOW 90° F. SWIVEL 1/4 - M.1/4	COUDE 90° F.TOURN.1/4 - M.1/4	KNIESTÜCK 90° F.DREHB.1/4 - M.	CURVA 90 F.GIRAT.1/4 - M.1/4C
15	67008034	CAPPUCCIO INNESTO 1/2	CONNECTION CAP NUT 1/2	CAPUCHON ACCOUPLEMENT 1/2	HAUBE KUPPLUNG 1/2	CAPUCHON ACOPLAMIENTO 1/2
16	67007291	NIPPLO MASCH.CIL.1/2-1/4 ZN	NIPPLE- GALVAN. CYLINDR.MALE-1/2	NIPPLE MALE CYL. 1/2-1/4 ZN	NIPPELZYL.1/2-1/4 ZN	NIPLE MACHO CIL.1/2-1/4 ZN
17	67007243	RONDELLA RAME 1/2	1/2 COPPER WASHER	RONDELLE CUIVRE ®	UNTERLEGSCHEIBE KUPFER 1/2	ARANDELA COBRE 1/2
18	67007210	INNESTO RAPIDO MASCH.CONO 1/2	QUICK CONNECT MALE CONE 1/2 CO	CONNEXION RAPIDE MALE CONE 1/2	SCHNELLKUPPLUNG GEWINDE KONISC	ACOPLAMIENTO RÁPIDO MACHO CONO
19	23440517	TUBO 1/4R2 C-F 1/4 L2000 HL/ID	PIPE 1/4R1 C-F 1/4 L2000 HL/ID	TUBE 1/4R1 C-F 1/4 L2000 HL/ID	ROHR 1/4R1 C-F 1/4 L2000 HL/ID	TUBO 1/4R1 C-F 1/4 L2000 HL/ID
19	22505140	TUBO 1/4R2 C-F 1/4 L.2350 LM	PIPE 1/4R1 C-F 1/4 L.2350 LM	TUBE 1/4R1 C-F 1/4 L. 2350 LM	ROHR 1/4R1 C-F 1/4 L.2350 LM	TUBO 1/4R1 C-F 1/4 L.2350 LM
19	22505141	TUBO 1/4R2 C-F L.2750 LM	PIPE 1/4R1 C-F L.2750 LM	TUBE 1/4R1 C-F L. 2750 LM	ROHR 1/4R1 C-F L.2750 LM	TUBO 1/4R1 C-F L.2750 LM
19	15210950	TUBO 1/4 R2 C-F 1/4 L.3150	PIPE 1/4-R2 C-F 1/4 M.3-15	TUBE 1/4-R2 C-F 1/4 M.3-15	ROHR 1/4-R2 C-F 1/4 M.3-15	TUBO 1/4-R2 C-F 1/4 M.3-15
19	22505143	TUBO 1/4R2 C-F 1/4 L.3500 LM	PIPE 1/4R1 C-F 1/4 L.3500 LM	TUBE 1/4R1 C-F 1/4 L. 3500 LM	ROHR 1/4R1 C-F 1/4 L.3500 LM	TUBO 1/4R1 C-F 1/4 L.3500 LM
19	15413060	TUBO 1/4R2 CF1/4- F1/4 3850	TUBE 1/4R2 CF1/4-F1/4 3850	TUYAU 1/4R2 CF1/4-F1/4 3850	SCHLAUCH 1/4R2 CF1/4-F1/4 3850	TUBO 1/4R2 CF1/4-F1/4 3850
19	16012650	TUBO R2 1/4 C-F L.4000	PIPE 1/4 R2 C-F 1/4 L.4000	TUBE 1/4 R2 C-F 1/4 L. 4000	ROHR 1/4 R2 C-F 1/4 L 4000	TUBO 1/4 R2 C-F 1/4 L.4000
19	15413070	TUBO 1/4R2 CF1/4- F1/4 4250	TUBE 1/4R2 CF1/4-F1/4 4250	TUYAU 1/4R2 CF1/4-F1/4 4250	SCHLAUCH 1/4R2 CF1/4-F1/4 4250	TUBO 1/4R2 CF1/4-F1/4 4250
19	15413080	TUBO 1/4 C-F L.4650	TUBE 1/4 C-F L.4650	TUBE 1/4 C-F L.4650	ROHR 1/4 C-F L.4650	TUBO 1/4 C-F L.4650

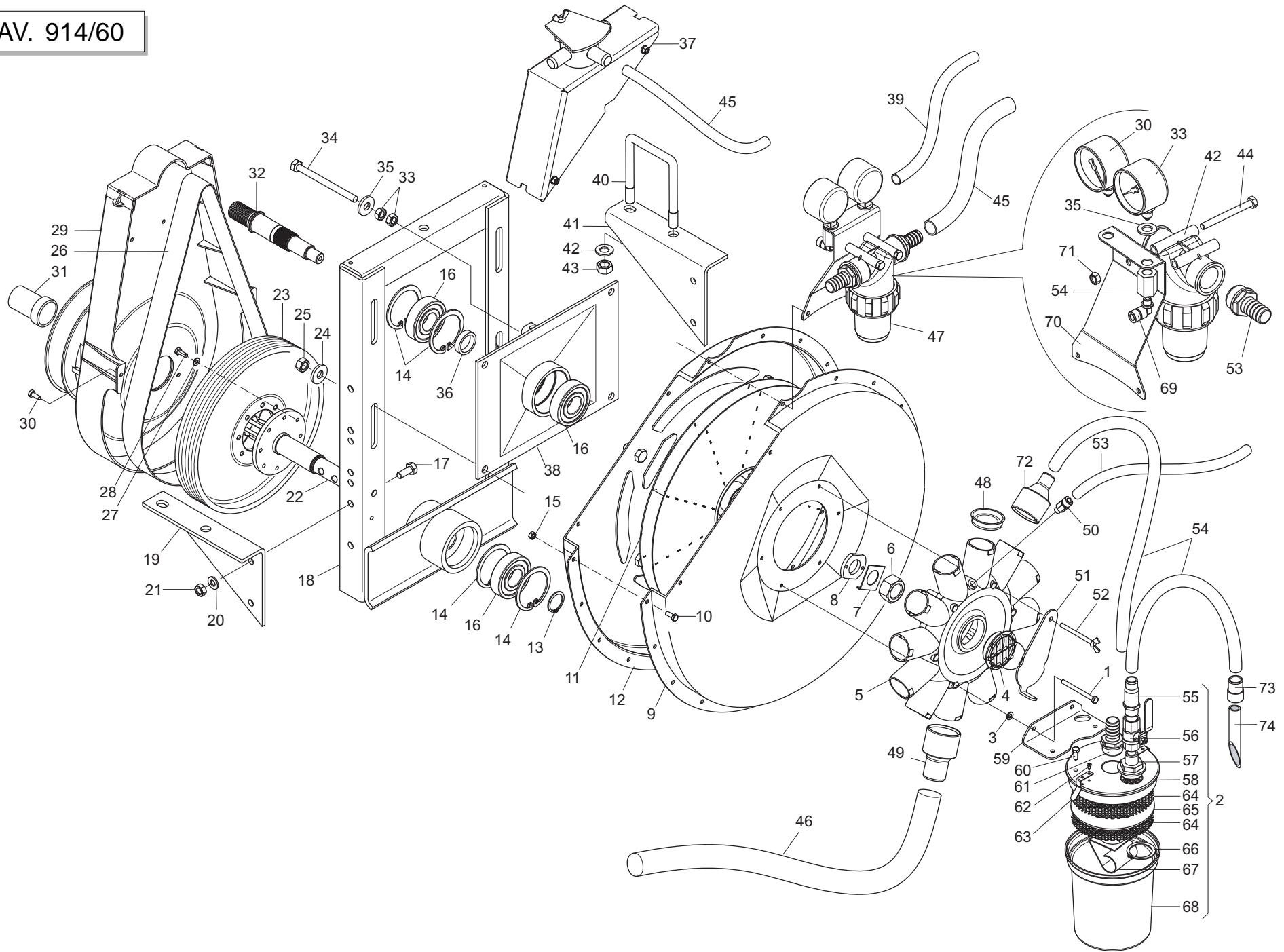




# COMANDO SEGNAFILE MECCANICO

TAV. 914/50

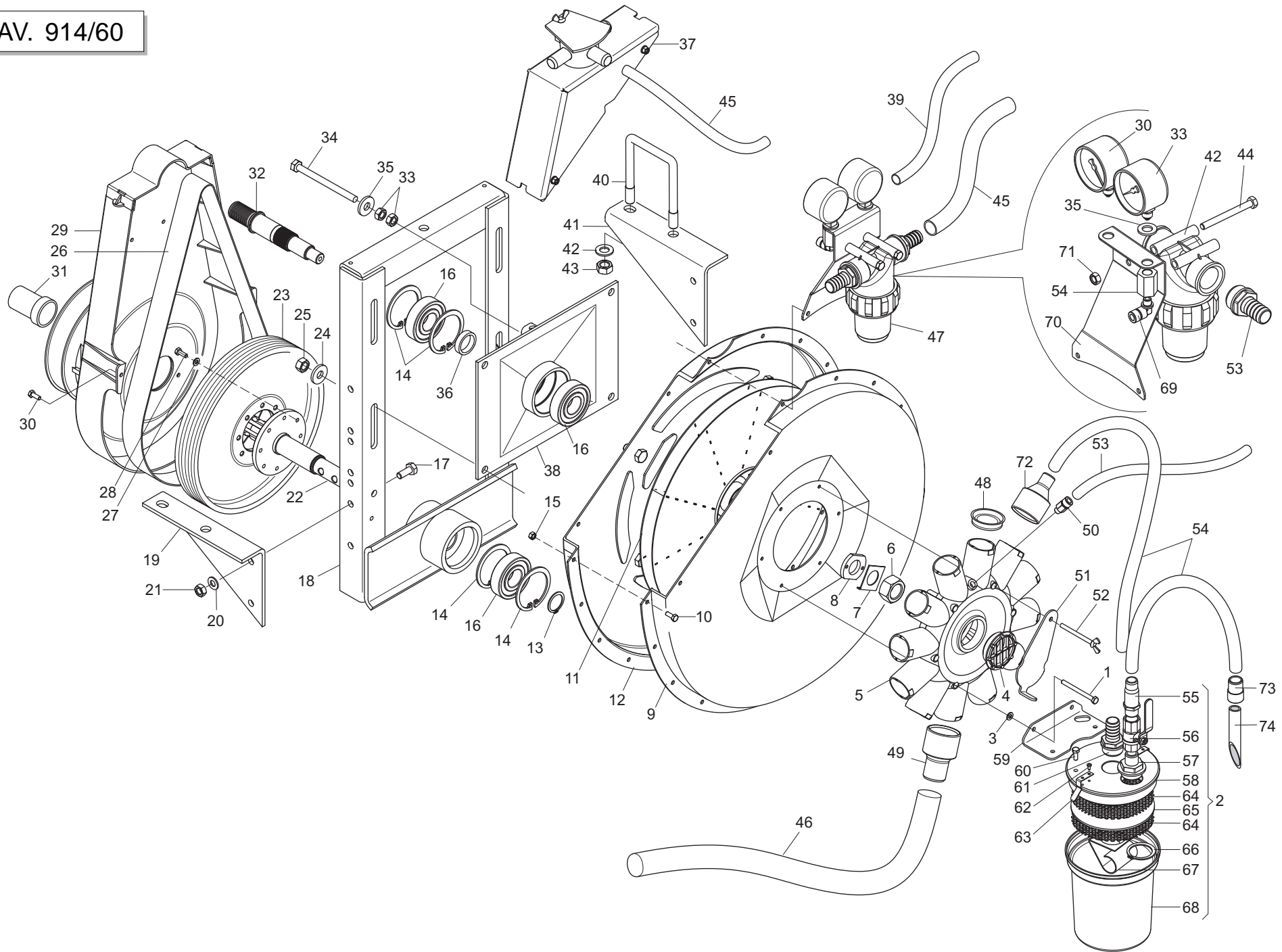
Pos.	Cod.	Descrizione	Description	Description	Benennung	Descrpcion
1	15410920	COMANDO SEGNAFILE	ROWMARKER CONTROL	COMMANDE TRACEUR	SPURREISSERSCHALTUNG	MANDO MARCADOR DE FILAS
2	15410950	LEVA PIANA	FLAT LEVER	LEVIER PLAT	FLACHER HEBEL	PALANCA PLANA
3	15410960	LEVA STAMPATA	PRESSED LEVER	LEVIER IMPRESSION	GEPRESSTER HEBEL	PALANCA MOLDEADA
4	15410990	LEVA SCATTO SEGNAFILE	ROWMARKER SNAP LEVER	LEVIER DETENTE TRACEUR	SCHNAPPHEBEL REIHENANREISSER	PALANCA DISPARO MARCADOR DE FI
5	15411110	SUPPORTO LEVA SCATTO	SNAP LEVER SUPPORT	SUPPORT LEVIER DETENTE	HALTERUNG SCHNAPPHEBEL	SOPORTE PALANCA DISPARADOR
6	15411120	FERMO LEVE AGGANCIO	LEVERS HOOK UP STOP	ARRET LEVIER ACCORCHAGE	FESTSTELLVORRICHTUNG KUPPLUNGS	BLOQUEO PALANCA ENGANCHE
7	15411130	FERMO CORDE SEGNAFILE SP	ROWMARKER ROPE STOP SP	ARRET CORDES TRACEUR SP	FESTSTELLVOR. SEILE REIHENANRE	BLOQUEO CUERDAS MARCADOR FILAS
8	15411140	MONT.SCATTO AUTOMATICO SP	UPRIGHT- AUTOMATIC SNAP SP	MONTANT DETENTE AUTOMATIQUE SP	STZNDER AUTOMATISCHES EINRASTE	MONT.DISPARADOR AUTOMÆTICO SP
9	15412340	SPINA GASPARDO 25X128	GASPARDO PIN 25X128	BROCHE GASPARDO 25X128	STIFT GASPARDO25X128	CLAVIJA GASPARDO 25X128
10	18902680	MOLLATRAZ.ZN SERBATOIO SV290	GALV.TANK TRACT.SPRING SV290	RESSORT RAZ.ZN RESERVOIR SV290	ZUGFEDER ZN BEHZLTER SV290	MUELLE TRAC.ZN DEPOSITO SV290 A
11	21120067	BOCCOLA IN BRONZO	BRONZE BUSHING	BOITE EN BRONZE	BRONZEBsCHSE	CASQUILLO DE BRONCE
12	22220124	SCONTRIO	STRIKER PLATE	BUTEE	ANSCHLAG	ELEMENTO DE EMPALME
13	22220132	SCONTRIO BRACCI	STRIKER PLATE- ARMS	BUTEE BRAS	ARME ANSCHLAG	ELEMENTO DE EMPALME BRAZOS
14	22270021	BRACCIO INF.SX COMANDO SEGNAF.	ARM-LOWER LEFT ROWMARK. CONTR.	BRAS INF. GCH. COMMANDE TRACEU	LINKER UNT. ARM SPURREISSERSTE	BRAZO INF.IZQ. MANDO MARC. FIL
15	22270022	BRACCIO INF.DX COMANDO SEGNAF.	RIGHT LOWER ARM-ROWMARK.CONTR.	BRAS INF. DRT. COMMANDE TRACEU	RECHTER UNT. ARM SPURREISSERST	BRAZO INF.DER. MANDO MARC. FIL
16	13810341	ATTACCO COMANDO 3°PUNTO	CONTROL COUPLING 3. POINT	FIXATION COMMANDE 3 POINT K	UPPLUNG STEUERUNG 3. PUNKT C	ONEXIN MANDO 3PUNTO OPR
17	41601068	VITE 12X140 5737 8.G *	SCREW 12X140 5737 8.G	VIS 12X140 5737 8.G *	SCHRAUBE 12X140 5737 8.G	TORNILLO 12X140 5737 8.G
18	41605050	VITE 12X30 5739 8.G ZN	BOLT12X30 5739 8.G GALVANIZED	VIS 12X30 5739 8.G ZN	SCHRAUBE 12X30 5739 8.G ZN	TORNILLO 12X30 5739 8.G ZN
19	41605054	VITE 12X50 5739 8.G ZN	BOLT 12X50 5739 8.G GALVANIZED	VIS 12X50 5739 8.G ZN	SCHRAUBE 12X50 5739 8.G ZN	TORNILLO 12X50 5739 8.G ZN
20	43530008	DADO 12 5588 6.8 ZN	NUT 12 UNI 5588 6.8 GALVANIZED	ECROU 12 UNI 5588 6.8 ZN	MUTTER 12 UNI 5588 6.8 ZN	TUERCA 12 UNI 5588 6.8 ZN
21	44953006	RONDELLA D14 UNI 6592 ZN	WASHER D14 UNI 6592 GALVANIZED	RONDELLE D14 UNI 6592 ZN	UNTERLEGSSCHEIBE D14 UNI 6592 Z	ARANDELA D14 UNI 6592 ZN
22	45961083	COPIGLIA 5 X30 1336 ZN	SPLIT PIN 5 X30 1336 GALVAN.	GOUPILLE 5 X30 1336 ZN	SPLINT 5 X30 1336 ZN	PASADOR 5 X30 1336 ZN
23	45965007	SPINA A SCATTO D 9 B/83	SNAP PIN D 9 B/83	FICHE A DETENTE D. 9 B/83	EINRASTSTIFT D 9 B/83	CLAVIJA DE MUELLE D 9 B/83
24	46966127	SPINA EL.8 X36 DIN 1481	PIN EL. 8 X36 DIN 1481	FICHE EL. 8 X36 DIN 1481	SPANNSTIFT 8 X36 DIN 1481	CLAVIJA EL.8 X36 DIN 1481
25	47969001	INGRASS.A SFERE M6X1/A	SPHERE NIPPLE M6X1/A	GRAISSEUR A BILLES M6X1/A	KUGELFETTBSCHSE M6X1/A	ENGRAS. DE ESFERAS M6X1/A
26	63226002	CORDA POLIPROPILENE D.12	POLIPROPILENE 12 CABLE	CORDE POLIPROPILENE 12	SEIL POLIPROPILENE 12	CUERDA POLIPROPILENE 12
27	13812311	CATENELLA CON MOSCHETTONE	CHAIN WITH SPRING CATCH	CHAINETTE AVEC MOUSQUETON	KETTE MIT KARABINERHAKEN	CADENA CON GANCHO



# DEPRESSORE

TAV. 914/60

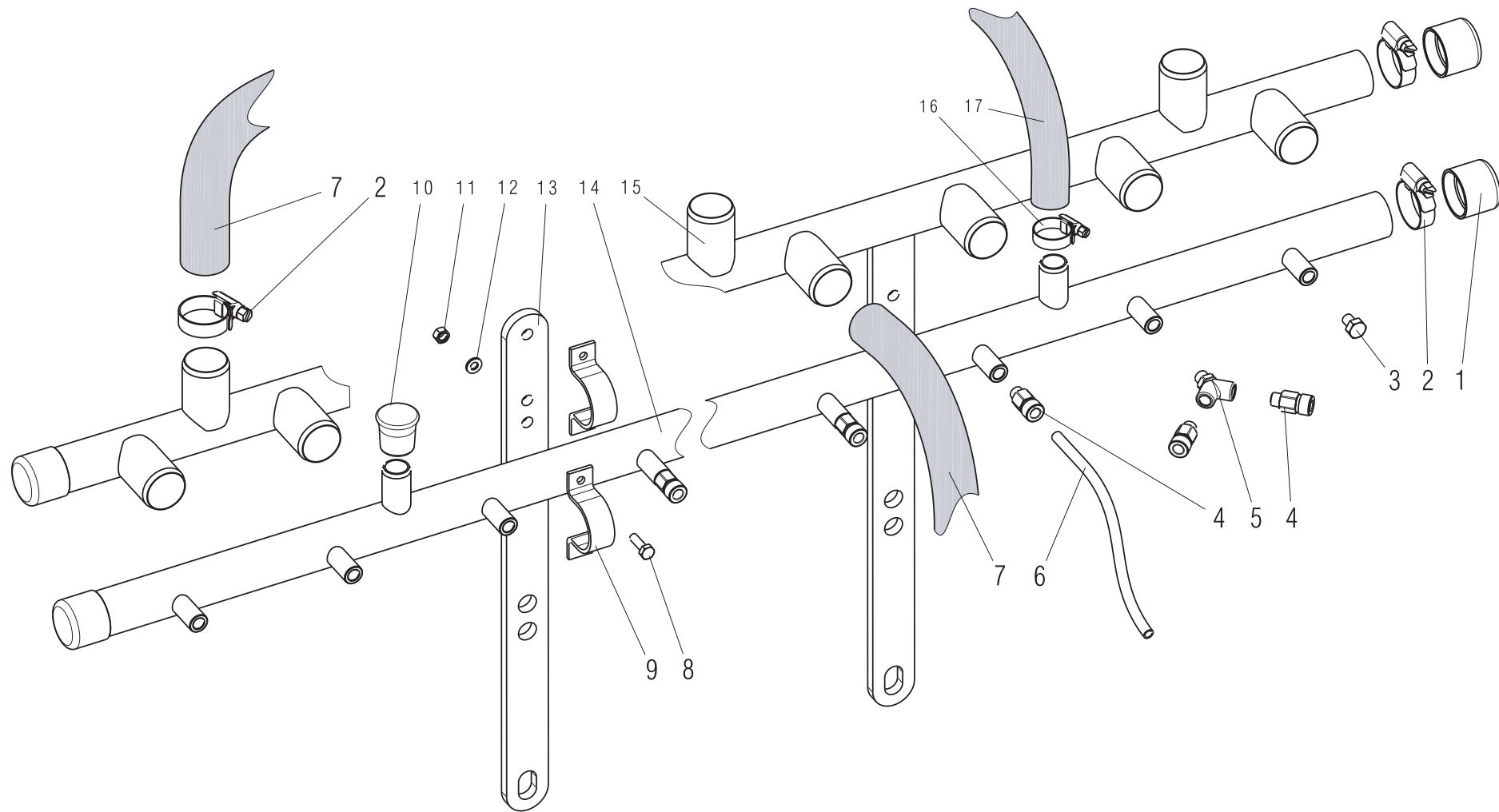
Pos.	Cod.	Descrizione	Description	Description	Benennung	Descripcion
1	41602018	VITE 6 X70 5737 8.G ZN	BOLT 6 X70 5737 8.G GALVANIZED	VIS 6 X70 5737 8.G ZN	SCHRAUBE 6 X70 5737 8.G ZN	TORNILLO 6 X70 5737 8.G ZN
2	15855360	ASPIRASEME COMPL.	SEED Suction GROUP	GROUPE ASPIRATEUR DE GRAINES	GEBL-SEAGREGAT	GRUPO ASPIRASEMILLAS
3	44957004	RONDELLA D6 DIN 6798 D.INT.ZN	WASHER D6 DIN 6798 D.INT.GALV.	RONDELLE D6 DIN 6798 D. INT. Z	UNT. SCHEIBE D6 DIN 6798 D. IN	ARANDELA D6 DIN 6798 D.INT.ZN
4	19005240	TAPPO ASPIRAZIONE FORATO	FLANGE	BRIDE	FLANSH	BRIDA
5	19004480	CONVOGLIATORE 12 USCITE	CONVEYOR 12 OUTLETS	CONVOYEUR 12 SORTIES	TRICHTER MIT 12 AUSG-NGEN	TRANSPORTADOR 12 SALIDAS
6	43442013	DADO AUTOB.NOR.24X2 ZN	NORMAL SELF-LOCK.NUT 24X2 GAL	ECROU AUTOB. NOR. 24X2 ZN	MUTTER AUTOB.NOR.24X2 ZN	TUERCA AUTOB. NOR.24X2 ZN
7	13912060	PIASTRINA DI TENUTA	STOP PLATE	PLAQUETTE DE TENUE	DICHTPLZTTCHEN	PLACA DE RETENCIN P
8	13912050	RONDELLA DI FERMO	STOP WASHER	RONDELLE DE BLOCAGE	FESTSTELLSCHEIBE	ARANDELLA DE BLOQUEO
9	22230019	INVOLUCRO POSTERIORE	INVOLUCRO POSTERIORE	INVOLUCRO POSTERIORE	INVOLUCRO POSTERIORE	INVOLUCRO POSTERIORE
10	41605015	VITE 6 X16 5739 8.G ZN	BOLT 6X16 5739 8.G GALVANIZED	VIS 6X16 5739 8.G ZN	SCHRAUBE 6X16 5739 8.G ZN	TORNILLO 6X16 5739 8.G ZN
11	22230015	GIRANTE	IMPELLER	ROUE TURBINE	LAUFRAD	RODETE
12	22230018	INVOLUCRO ANTERIORE	INVOLUCRO ANTERIORE	INVOLUCRO ANTERIORE	INVOLUCRO ANTERIORE	INVOLUCRO ANTERIORE
13	52121027	ANELLO ARR.30 UNI 7435-75	STOP RING 30 UNI 7435-75	BAGUE ARRET 30 UNI 7435-75	RING 30 UNI 7435-75	ANILLO PARADA 30 UNI 7435-75
14	52122059	ANELLO ARR.72 UNI 7437-75	STOP RING 72 UNI 7437-75	BAGUE ARRET 72 UNI 7437-75	RING 72 UNI 7437-75	ANILLO PARADA 72 UNI 7437-75
15	43549001	DADO TRISTOP M 6	NUT- TRISTOP M 6	ECROU TRISTOP M 6	MUTTER TRISTOP M 6	TUERCA TRISTOP M 6
16	51106407	CUSCINETTO 6306 2RS C3	BEARING 6306 2RS C3	PALIER 6306 2RS C3	LAGER 6306 2RS C3	COJINETE 6306 2RS C3
17	41605041	VITE 10X25 5739 8.G ZN	BOLT 10X25 5739 8.G GALVANIZED	VIS 10X25 5739 8.G ZN	SCHRAUBE 10X25 5739 8.G ZN	TORNILLO 10X25 5739 8.G ZN
18	15450042	ASSIEMAGGIO INCASTELLATURA	CASTING ASSEMBLY	GR. BATI	GESTELL	CONJ. BASTIDOR
19	15450060	SUPPORTO SX	LEFT SUPPORT	SUPPORT GCH	HALTERUNG LI	SOPORTE IZQ
20	44957007	RONDELLA D10 DIN 6798 D.INT.ZN	WASHER D10 DIN 6798 D.INT.ZN	RONDELLE D10 DIN 6798 D. INT.	UNT. SCHEIBE D10 DIN 6798 D.IN	ARANDELA D10 DIN 6798 D.INT.ZN
21	43530007	DADO 10 5588 6.8 ZN	SCREW 10 UNI 5588 6.8 GALVANIZ	ECROU 10 UNI 5588 6.8 ZN	MUTTER 10 UNI 5588 6.8 ZN	TUERCA 10 UNI 5588 6.8 ZN
22	22270369	P.DI P.CON CODOLO	POWER TAKE-OFF- W/ SPIGOT	PRISE DE FORCE AVEC CONE	KRAFTABTRIEB MIT ENDSTsCK	TOMA DE FUERZA CON MANGO
23	22230012	PULEGGIA MOTRICE	DRIVING PULLEY	POULIE MOTRICE 540T	ANTRIEBSSCHEIBE	POLEA MOTRIZ
24	44953506	RONDELLA 14 X36 X3 ZN	GALVANIZED WASHER 14 X36 X3	RONDELLE 14 X36 X3 ZN	UNTERLEGSscheibe 14 X36 X3 ZN	ARANDELA 14 X36 X3 ZN
25	43530008	DADO 12 5588 6.8 ZN	NUT 12 UNI 5588 6.8 GALVANIZED	ECROU 12 UNI 5588 6.8 ZN	MUTTER 12 UNI 5588 6.8 ZN	TUERCA 12 UNI 5588 6.8 ZN
26	54236002	CINGHIA POLY V 1287 J-16 GOLE	BELT- POLY V 1287 J-16 GOLE	COURROIE POLY V 1287 J-16 CANN	RIEMEN POLY V 1287 J-16 RILLEN	CORREA POLY V 1287 J-16 GARGAN
27	44957004	RONDELLA D6 DIN 6798 D.INT.ZN	WASHER D6 DIN 6798 D.INT.GALV.	RONDELLE D6 DIN 6798 D. INT. Z	UNT. SCHEIBE D6 DIN 6798 D. IN	ARANDELA D6 DIN 6798 D.INT.ZN
28	41605015	VITE 6 X16 5739 8.G ZN	BOLT 6X16 5739 8.G GALVANIZED	VIS 6X16 5739 8.G ZN	SCHRAUBE 6X16 5739 8.G ZN	TORNILLO 6X16 5739 8.G ZN
29	15450341	PROTEZ.CINGHIA DEPRES.COMPLETO	VACUUM PUMP BELT GUARD COMPL.	PROTECT.COURROIE DEPRESS.COMPL	SCHUTZ RIEMEN VAK.PUMPE KOMPL	PROT.CORREA B.VACO COMPLETA P
30	67007101	VACUOM.0-100 MBAR C.SMORZ.INC.	VACUUM METER 0-100 MBAR C.SMOR	VACUOMETRE 0-100 MBARS A/SUPPO	VAKUUMMETER 0-100 MBAR M. DZMP	VACUM. 0-100 MBAR C.ATEN.INC.V
31	66248227	CUFFIA PROTEZIONE P.D.P.	POWER TAKE-OFF PROTECTION HOUS	PROTECTEUR PRISE DE PUISSANCE	SCHUTZKASTEN KRAFTABTRIEB	ENVOLTURA PROTECCIN T. DE P. G
32	15450390	PULEGGIA CONDOTTA	DRIVEN PULLEY D.28	POULIE ENTRAINEE D. 28	GETRIEBENE SCHEIBE D.28	POLEA CONDUCTICA D.28
33	67007102	MANOM.0 A 25 MBAR C.SMORZ.INC.	PRESSURE GAUGE 25 MBAR C.SMORZ	MANOMETRE 0-25 MBARS AVEC SUPP	MANOM.0 - 25 MBAR MIT DZMPFFER	MANM.DE 0 A 25 MBARES M
34	15450270	VITE 10X130 8.8 FIL.60 ZN	GALVANIZ. SCREW 10X130 8.8 FIL	VIS 10X130 8.8 FIL.60 ZN	SCHRAUBE 10X130 8.8 GEW.60 ZN	TORNILLO 10X130 8.8 FIL.60 ZN
35	22250108	ROND.APPOGGIO MANOMETRI SV	PRESSURE GAUGE REST WASHER	ROND. LOGEMENT MANOMETRES SV	SttZSCHEIBE MANOMETER SV	ARAND. SOPORTE MANOMETROS SV
36	22230014	DISTANZIALE	SPACER	ENTRETOISE	DISTANZSTsCK	DISTANCIADOR
37	15850180	CONVOGLIATORE SOFFIAGGIO COMPL	CONVEYOR COMPL	CONVOYEUR COMPLET	FTRDERER KOMP	CONDUCTOR COM
38	15450092	SUPPORTO PULEGGIA CONDOTTA	DRIVEN PULLEY SUPPORT ASSEMBLY	GR. SUPPORT POULIE ENTRAINEE	HALTERUNG GETRIEBENE RIEMENSCH	CONJ. SOPORTE POLEA CONDUCTICA
39	61206001	TUBO POLIAMMIDE 8-6	PIPE POLYAMIDE 8-6	TUBE POLYAMIDE 8-6	ROHR POLYAMID 8-6	TUBO POLIAMIDA 8-6
40	15111050	CAVALLOTTO M14X96 - 119 ZN	U-BOLT M14X96 - 119 ZN	CAVALIER M14X96 - 119 ZN	VERBINDUNG M14X96 - 119 ZN	PERNO EN U M14X96 - 119 ZN
41	15450050	SUPPORTO DX	RIGHT SUPPORT	SUPPORT DRT	HALTERUNG RE	SOPORTE DER
42	67007610	FILTRO LINEA 1'F 100 MESH	LINE FILTER 1'F 100 MESH	FILTRE LIGNE 1'F 100 MESH	LEITUNGSFILTER 1' F 100 MESH	FILTRO LINEA 1'F 100 MESH
43	43530009	DADO 14 5588 6.8 ZN	NUT 14 UNI 5588 6.8 GALVANIZED	ECROU 14 UNI 5588 6.8 ZN	MUTTER 14 UNI 5588 6.8 ZN	TUERCA 14 UNI 5588 6.8 ZN
44	41602032	VITE 8 X80 5737 8.G ZN	BOLT 8 X80 5737 8.G GALVANIZ.	VIS 8 X80 5737 8.G ZN	SCHRAUBE 8 X80 5737 8.G ZN	TORNILLO 8x80 5737 8.G ZN
45	61205008	TUBO EOLO PU-P D.22	EOLO PIPE PU-P D.22	TUBE EOLO PU-P D.22	ROHR EOLO PU-P D.22	TUBO EOLO PU-P D.22
46	61209107	TUBO EOLO 35 PU	EOLO PIPE 35 PU	TUBE EOLO 35 PU	ROHR EOLO 35 PU	TUBO EOLO 35 PU
47	15855370	FILTRO E MANOMETRI COMPL	FILTER AND PRESSURE GAUGE UNIT	GROUPE FILTRE ET MANOMETRES	FILTER- EOLO MANOMETERAGGREGAT	GRUPO FILTRO Y MANEMETROS
48	67008010	TAPPO SALVAFILETTO D.39	CONVEYOR PLUG D.39	BOUCHON PROTEGE-FILET D. 39	GEWINDESCHUTZPFROPFEN D.39	TAPN GUARDARROSCA D.39 D
49	19005250	#N/D	#N/D	#N/D	#N/D	#N/D
50	67321086	RACC.SUPERAPIDO DRITTO 1/8G-8>	STRAIGHT SUPER-QUICK CONNECTOR	RACC.SUPERAPIDE DRT. 1/8G-8	GERADER SUPERSCHNELLANSCHLUSS	RACOR SUPERRAPIDO RECTO 1/8G-8
51	15855330	PORTELLO REGOLAZ.ASPIRAZIONE	ASPIRATION ADJUSTMENT FLAP	PORTE REGLAGE ASPIRATION	EINSTELLUNGSDECKEL GEBL-SE	REGISTRO REGULADOR DE ASPIRACI
52	41419008	VITE 6 X70 5449 5.8 ZN	GALVAN. SCREW 6X70 5449 5.8	VIS 6X70 5449 5.8 ZN	SCHRAUBE 6X70 5449 5.8. ZN	TORNILLO 6X70 5449 5.8 ZN
53	67007607	P/GOMMA 1"X22 M	HOSE 1"X22 M	RACCORD PLASTIQUE 1"X22 M	P/GUMMI 1"X22 M	P/CAUCHO 1"X22 M
54	22250274	COLLEGAMENTO MANOMETRI SP-SV	PRESSURE GAUGE CONNECT. SP-SV	RACCORD MANOMETRES SP-SV	VERBINDUNG MANOMETER SP-SV	CONEXIN MANMETROS SP-SV LE



# DEPRESSORE

TAV. 914/60

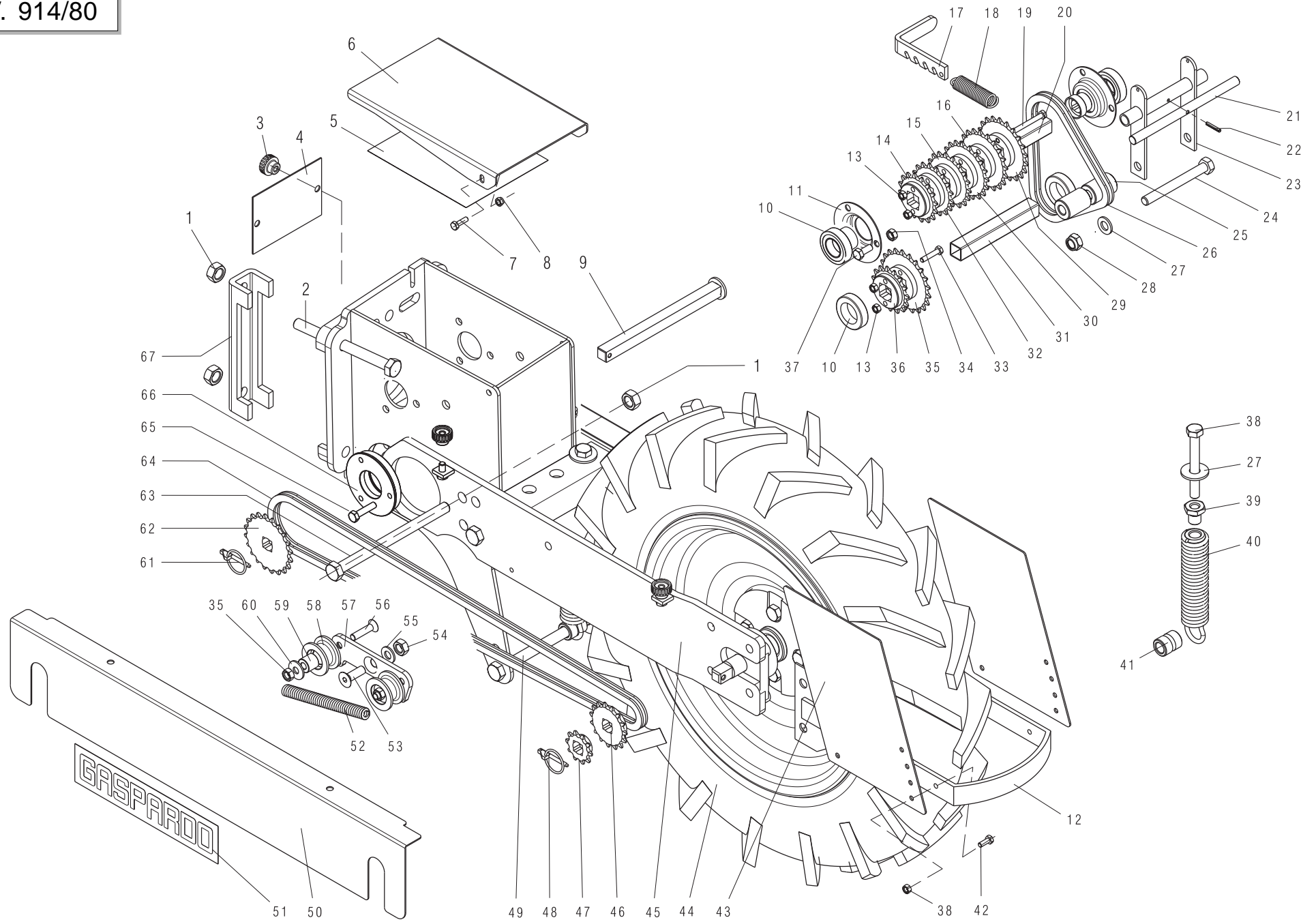
Pos.	Cod.	Descrizione	Description	Description	Benennung	Descrpcion
55	67007617	P/GOMMA PVC 1/2X20 >	PVC 1/2X20 RUBBER/TIRE-CARRIER	PORTE-ROUE PVC 1/2X20	REIFENHALTERUNG PVC 1/2X20	CARGA GOMA PVC 1/2X20
56	67007618	RUBINETTO	BREATHERTAP	BOUCHON REFOUL.	ENTLsFTUNGSPFROPFEN	TAPON PURGADOR
57	15850300	RIDUZIONE G1'-G1/2'	REDUCTION G1'-G1/2'	REDUCTION G1'-G1/2'	UNTERSETZUNG G1'-G1/2'	REDUCCIN G1'-G1/2'
58	10551030	COPERCHIO ASPIRASEMI	SEED SUCTION COVER	COUVERCLE ASPIR. DE GRAINES	SAMENABSAUGERDECKEL	TAPAASPIRADOR DE SEMILLAS
59	15855350	SUPPORTO ASPIRASEME	SEED SUCTION SUPPORT	SUPPORT ASPIRATEUR DE GRAINES	GEBL-SEHALTERUNG	SOPORTRE ASPIRA SEMILLAS
60	41605015	VITE 6 X16 5739 8.G ZN	BOLT 6X16 5739 8.G GALVANIZED	VIS 6X16 5739 8.G ZN	SCHRAUBE 6X16 5739 8.G ZN	TORNILLO 6X16 5739 8.G ZN
61	67007607	P/GOMMA 1"X22 M	HOSE 1"X22 M	RACCORD PLASTIQUE 1"X22 M	P/GUMMI 1"X22 M	P/CAUCHO 1"X22 M
62	41982001	VITE 3,5X9,5 DIN 7981	BOLT 3-5X 9-5 DIN 7981	VIS 3-5X 9-5 DIN 7981	SCHRAUBE 3-5X 9-5 DIN 7981	TORNILLO 3-5X 9-5 DIN 7981
63	18901451	PIASTRINA COPERCHIO ASPIRASEMI	SEED UPTAKE COVER PLATE	PLAQUE COUVERCLE ASPIRATEUR GR	PLATTE GEBL-SEABDECKUNG	PLACA TAPAASPIR. SEMILLAS
64	22250314	GRIGLIA FILTRO ASPIRASEMI SV	SEED SUCTION FILTER GRID SV	GRILLE FILTRE ASPIRATEUR DE GR	GITTER SAMENABSAUGERFILTER SV	REJILLA FILTRO ASPIRADOR DE SE
65	22250315	FILTRO ASPIRASEMI SV	SEED SUCTION FILTER SV	FILTRE ASPIRATEUR DE GRAINES S	SAMENABSAUGFILTER SV	FILTRO ASPIRADOR DE SEMILLAS S
66	52121037	ANELLO ARR.40 UNI 7435-75	STOP RING 40 UNI 7435-75	BAGUE ARRET 40 UNI 7435-75	RING 40 UNI 7435-75	ANILLO PARADA 40 UNI 7435-75
67	22250316	DEFLETTORE ASPIRASEMI SV	SEED SUCTION DEFLECTOR SV	DEFLECTEUR ASPIR.DE GRAINES SV	ABLENKER SAMENABSAUGER SV	DEFLECTOR ASPIRADOR DE SEMILLA
68	67004027	CONTENIT.SOTTOVUOT.LT.2 AR.122	VACUUM CONTAINER LT.2 AR.122	CONTENEUR SOUS VIDE LT. 2 AR.	LUFTDICHTER BEHZLTER .L2 AR.	CONTENED. AL VACO LT. 2 AR.12C
69	67321000	RACCORDO OCCHIO 1/4 L.38 >	EYE UNION 1/4 L.38	RACCORD OEIL 1/4 L.38	TSENVERBINDUNGSSTsCK 1/4 L.38	UNIN OJO 1/4 L.38 R
70	15855340	SUPP.FILTRO E MANOMETRI	FILTER AND PRESSURE GAUGE SUPP	SUPPORT FILTRE ET MANOMETRES	FILTER- UND MANOMETERHALTERUNG	SOPORTE FILTRO Y MANĒMETROS
71	43530006	DADO 8 5588 6.8 ZN	NUT 8 UNI 5588 6.8 GALVANIZED	ECROU 8 UNI 5588 6.8 ZN	MUTTER 8 UNI 5588 6.8 ZN	TUERCA 8 UNI 5588 6.8 ZN
72	19005260	RIDUZIONE CONVOGLIATORE 45-22	CONVEYOR REDUCTION 45-22	REDUCTION DE CONVOYEUR 45-22	FTRDERERUNTERSETZUNG 45-22	REDUCCIN DE CONDUCTOR 45-22
73	19005270	RIDUZIONE CONVOGLIATORE 22-19	CONVEYOR REDUCTION 22-19	REDUCTION DE CONVOYEUR 22-19	FTRDERERUNTERSETZUNG 22-19	REDUCCIN DE CONDUCTOR 22-19
74	61201009	TUBO PVC ANTIG.NEU.TRA.14X19	PIPE- ANTIFREEZE NEU.TRA.14X19	TUBE PVC TRA. 14X19	ROHR PVC FROSTSCHUTZNEU.TRA.14	TUBO PVC ANTICONG.14X19



# IMPIANTO ASPIRAZIONE E SOFFIAGGIO

TAV. 914/70

Pos.	Cod.	Descrizione	Description	Description	Benennung	Descripcion
1	66248098	TAPPO CONVOGLIATORE DEPR. SP	AIR PUMP CONVEYOR PLUG SP	BOUCHON CONVOYEUR TURBINE SP	VAKUUM FTRDERPFROPFEN SP	TAPN CONDUCTOR DEPR. SP D
2	62122002	FASCETTA STRING 32/50	STRING FASTENING STRAPS 32/50	COLLIER DE SERRAGE 32/50	ROHRSCHELLE 32/50	ABRAZADERA APRET. 32/50
3	67008033	PUNTALE PVC D.20	PVC TIP D.20	EMBOUT PVC D. 20	STTSSELSCHAFT PVC D.20	PUNTAL PVC D.20
4	67321086	RACC.SUPERAPIDO DRITTO 1/8G-8>	STRAIGHT SUPER-QUICK CONNECTOR	RACC.SUPERAPIDE DRT. 1/8G-8	GERADER SUPERSCHNELLANSCHLUSS	RACOR SUPERRAPIDO RECTO 1/8G-8
5	67321087	RACCORDO Y 1/8G F-F-M >	UNION Y 1/8G F-F-M	RACCORD Y 1/8G F-F-M	ANSCHLUSSTsCK Y 1/8G F-F-M	UNIN Y 1/8G F-F-M
6	61206001	TUBO POLIAMMIDE 8-6	PIPE POLYAMIDE 8-6	TUBE POLYAMIDE 8-6	ROHR POLYAMID 8-6	TUBO POLIAMIDA 8-6
7	61209107	TUBO EOLO 35 PU	EOLO PIPE 35 PU	TUBE EOLO 35 PU	ROHR EOLO 35 PU	TUBO EOLO 35 PU
8	41605018	VITE 6 X20 5739 8.G ZN	BOLT 6X20 5739 8.G GALVANIZED	VIS 6X20 5739 8.G ZN	SCHRAUBE 6X20 5739 8.G ZN	TORNILLO 6X20 5739 8.G ZN
9	22250091	FORCELLA SUPP.TUBI SV	FORK	FOURCHETTE SUPPORT TUBES SV	GABEL ROHRHALTERUNG SV	HORQUILLA SOPORTE TUBOS SV
10	67008033	PUNTALE PVC D.20	PVC TIP D.20	EMBOUT PVC D. 20	STTSSELSCHAFT PVC D.20	PUNTAL PVC D.20
11	43530004	DADO 6 5588 6.8 ZN	NUT 6 UNI 5588 6.8 GALVANIZED	ECROU 6 UNI 5588 6.8 ZN	MUTTER 6 UNI 5588 6.8 ZN	TUERCA 6 UNI 5588 6.8 ZN
12	44953002	RONDELLA D6 UNI 6592 ZN	WASHER D6 UNI 6592 GALVANIZED	RONDELLE D6 UNI 6592 ZN	UNTERLEGSSCHEIBE D6 UNI 6592 ZN	ARANDELA D6 UNI 6592 ZN
13	15855170	SUPPORTO RAMPASOFFIAGGIO	BLOWER RAMP SUPPORT	SUPPORT RAMPE SOUFFLAGE	GEBL-SERAMPENHALTERUNG	SOPORTE RAMPASOPLO
14	15855150	RAMPASOFFIAGGIO 1600X12	1600X12 BLOW RAMP COUPLING	ASS. RAMPE SOUFFLAGE 1600X12	GEBL-SERAMPENKOMPLEX 1600X12	CONJ. RAMPASOPLO 1600X12
14	15855240	RAMPASOFFIAGGIO 2100X14	2100X14 BLOW RAMP COUPLING	ASS. RAMPE SOUFFLAGE 2100X14	GEBL-SERAMPENKOMPLEX 2100X14	CONJ. RAMPASOPLO 2100X14
14	15855280	RAMPASOFFIAGGIO 2100X8	2100X8 BLOW RAMP COUPLING	ASS. RAMPE SOUFFLAGE 2100X8	GEBL-SERAMPENKOMPLEX 2100X8	CONJ. RAMPASOPLO 2100X8
15	15855140	RAMPASPIRAZIONE 1600X12	1600X12 BLOW RAMP COUPLING	ASS. RAMPE ASPIRATION 1600X12	GEBL-SERAMPENKOMPLEX 1600X12	CONJ. RAMPASPIRACIEN 160
15	15855230	RAMPASPIRAZIONE 2100X14	2100X14 BLOW RAMP COUPLING	ASS. RAMPE ASPIRATION 2100X14	GEBL-SERAMPENKOMPLEX 2100X14	CONJ.. RAMPASPIRACIEN 210
15	15855270	RAMPASPIRAZIONE 2100X8	2100X8 BLOW RAMP COUPLING	ASS. RAMPE ASPIRATION 2100X8	GEBL-SERAMPENKOMPLEX 2100X8	CONJ.. RAMPASPIRACIEN 210
20	62122003	FASCETTA STRING. 20/32	STRING FASTENING STRAPS 20/32	COLLIER DE SERRAGE 20/32	ROHRSCHELLE 20/32	ABRAZADERA APRET. 20/32
21	61205008	TUBO EOLO PU-P D.22	EOLO PIPE PU-P D.22	TUBE EOLO PU-P D.22	ROHR EOLO PU-P D.22	TUBO EOLO PU-P D.22

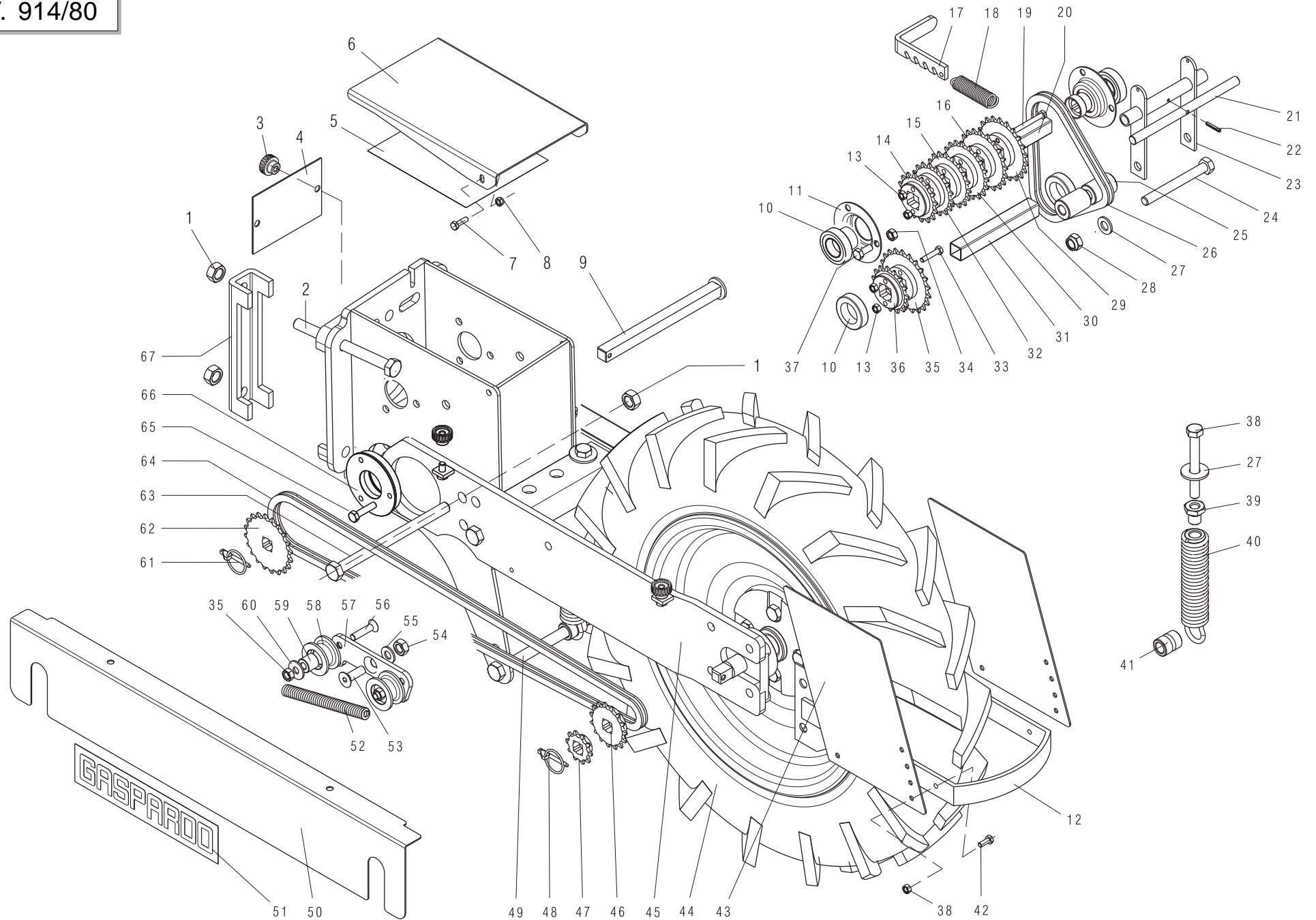




# RUOTA DI TRASMISSIONE

TAV. 914/80

Pos.	Cod.	Descrizione	Description	Description	Benennung	Description
1	43530009	DADO 14 5588 6.8 ZN	NUT 14 UNI 5588 6.8 GALVANIZED	ECROU 14 UNI 5588 6.8 ZN	MUTTER 14 UNI 5588 6.8 ZN	TUERCA 14 UNI 5588 6.8 ZN
2	41601135	VITE 14 X140 5737 8.G	BOLT M 14 X140 5737 8.G	VIS M 14 X140 5737 8.G	SCHRAUBE M 14 X140 5737 8.G	TORNILLO M 14 X140 5737 8.G
3	67008090	VOLANTINO ZIGR.D.26-M8 FEM	KNURLED FLYWHEEL D.26-M8 FEM	VOLANT CANNEL+ D.26-M8 FEM	GER-ND. HANDRAD D.26-M8 FEM	VOLANTE ESTR. Ĩ26-M8 FEM
4	22250035	PORTA DI CHIUSURA SV	CLOSURE DOOR SV	PORTE DE FERMETURE SV	ABSCHLUSSsR SV	PUERTA DE CIERRE SV
5	19704260	TABELLA DISTANZA DI SEMINA R	R SEED PLANTING DISTANCE TABLE	TABLEAU DISTANCE DE SEMIS R	TABELLE AUSSAATSABSTAND R	TABLA DE DISTANCIA DE SIEMBRA
6	15835170	COPERCHIO SCATOLA CAMBIO R.5"	GEARBOX COVER R.5"	COUVERCLE BOITE DE VITESSE R.5"	DECKEL GETRIEBEGEHZUSE R.5"	TAPA CAJA DEL CAMBIO R.5"
7	41724033	VITE 6X20 5931 8.G ZN	GALVAN. SCREW 6X20 5931 8.G	VIS 6X20 5931 8.G ZN	SCHRAUBE 6X20 5931 8.G ZN	TORNILLO 6X20 5931 8.G ZN
8	43442004	DADO AUTOB.NOR.6 ZN	NORM.SELF-LOCKING NUT 6 GALVAN	ECROU AUTOB.NOR.6 ZN	SELBSTSP. MUTTER NOR.6 ZN	TUERCA AUTOB. NOR. 6 ZN
9	22250037	ASSE INF.CAMBIO SV	LOWER GEARBOX SPINDLE SV	AXE INF. BOITE DE VITESSE	UNTERE GETRIEBEACHSE SV	EJE INF. CAMBIO SV
10	10538350	CUSCINETTO FORO QUADRO RIB.	SQUARE HOLE BEARING	PALIER TROU CARRE	LAGER VIERKANTLOCH	COJINETE ORIFICIO CUADRADO
11	22230094	SUPPORTO CUSCINETTO	BEARING SUPPORT	SUPPORT PALIER	LAGERBsCHSE	SOPORTE COJINETE
12	10530101	ASS.RASCHIATERRA	SOIL SCRAPER ASSEMBLY	GR. RACLEUR	ERDSCHABER	CONJ. RASC. TIERRA
13	43530004	DADO 6 5588 6.8 ZN	NUT 6 UNI 5588 6.8 GALVANIZED	ECROU 6 UNI 5588 6.8 ZN	MUTTER 6 UNI 5588 6.8 ZN	TUERCA 6 UNI 5588 6.8 ZN
14	22250043	CORONA CAMBIO Z-16 SV	GEARBOX RING GEAR Z-16 SV	COURONNE BOITE DE VITESSE	GETRIEBEKRANZ Z-16 SV	CORONA CAMBIO Z-16 SV
15	22250045	CORONA CAMBIO Z-18 SV	GEARBOX RING GEAR Z-18 SV	COURONNE BOITE DE VITESSE	GETRIEBEKRANZ Z-18 SV	CORONA CAMBIO Z-18 SV
16	22250047	CORONA CAMBIO Z-20 SV	GEARBOX RING GEAR Z-20 SV	COURONNE BOITE DE VITESSE	GETRIEBEKRANZ Z-20 SV	CORONA CAMBIO Z-20 SV
17	22250038	MANIGLIA SV	HANDLE SV	POIGNEE SV	GRIFF SV	MANIJA SV
18	65337005	MOLLA TRAZ.CAMBIO SV	TRACTION COUPLING SPRING- GEAR	RESSORT TRACT.BOITE DE VITESSE	ZUGFEDER GETRIEBE SV	MUELLE TRAC. CAMBIO SV
19	41602020	VITE 6 X80 5737 8.G ZN	BOLT 6 X80 5737 8.G GALVANIZED	VIS 6 X80 5737 8.G ZN	SCHRAUBE 6 X80 5737 8.G ZN	TORNILLO 6 X80 5737 8.G ZN
20	10530361	#N/D	#N/D	#N/D	#N/D	#N/D
21	22250040	SPINA TENDICATENA SV	CHAIN TIGHTENER PIN SV	BROCHE TENDEUR DE CHAINE SV	KETTENSANNERSTIFT SV	CLAVIJA TENSOR DE CADENA SV
22	46966058	SPINA EL.4 X24 DIN 1481	PIN EL. 4 X24 DIN 1481	FICHE EL. 4 X24 DIN 1481	SPANNSTIFT 4 X24 DIN 1481	CLAVIJA EL.4 X24 DIN 1481
23	10530271	#N/D	#N/D	#N/D	#N/D	#N/D
24	41602065	VITE 12X110 5737 8.G ZN	BOLT 12X110 5737 8.G GALVANIZ.	VIS 12X110 5737 8.G ZN	SCHRAUBE 12X110 5737 8.G ZN	TORNILLO 12X110 5737 8.G ZN
25	66248024	RULLO TEND. SP	TIGHTENER ROLLER SP	ROULEAU TENDEUR SP	SPANNERROLLE SP	RODILLO TENSOR SP
26	57158004	SPEZ.CAT.1/2 ISO 083 42MAGLIE	CHAIN SECTION 1/2 ISO 083 42	TRONÇON CHA+NE 1/2 ISO 083 42	KETTENABSCHNITT 1/2 ISO 083 42	TRAMO CAD.1/2 ISO 083 42 ESCLA
27	44957008	RONDELLA D12 DIN 6798 D.INT.ZN	WASHER D12 DIN 6798 D.INT.ZN	RONDELLE D12 DIN 6798 D. INT.	UNT. SCHEIBE D12 DIN 6798 D.IN	ARANDELA D12 DIN 6798 D.INT.ZN
28	43442007	DADO AUTOB.NOR.12 ZN	NORMAL SELF-LOCKING NUT 12 GAL	ECROU AUTOB. NOR. 12 ZN	SELBSTSP. MUTTER NOR.12 ZN	TUERCA AUTOB. NOR.12 ZN
29	22250048	CORONA CAMBIO Z-21 SV	GEARBOX RING GEAR Z-21 SV	COURONNE BOITE DE VITESSE	GETRIEBEKRANZ Z-21 SV	CORONA CAMBIO Z-21 SV
30	22250046	CORONA CAMBIO Z-19 SV	GEARBOX RING GEAR Z-19 SV	COURONNE BOITE DE VITESSE	GETRIEBEKRANZ Z-19 SV	CORONA CAMBIO Z-19 SV
31	22250053	DISTAN.INFERIORE SV	LOWER SPACER SV	ENTRETOISE INF. SV	UNTERES DISTANZSTsCK SV	DISTAN. INFERIOR SV
32	22250044	CORONA CAMBIO Z-17 SV	GEARBOX RING GEAR Z-17 SV	COURONNE BOITE DE VITESSE	GETRIEBEKRANZ Z-17 SV	CORONA CAMBIO Z-17 SV
33	41605020	VITE 6 X30 5739 8.G ZN	BOLT 6X30 5739 8.G GALVANIZED	VIS 6X30 5739 8.G ZN	SCHRAUBE 6X30 5739 8.G ZN	TORNILLO 6X30 5739 8.G ZN
34	43530006	DADO 8 5588 6.8 ZN	NUT 8 UNI 5588 6.8 GALVANIZED	ECROU 8 UNI 5588 6.8 ZN	MUTTER 8 UNI 5588 6.8 ZN	TUERCA 8 UNI 5588 6.8 ZN
35	22250048	CORONA CAMBIO Z-21 SV	GEARBOX RING GEAR Z-21 SV	COURONNE BOITE DE VITESSE	GETRIEBEKRANZ Z-21 SV	CORONA CAMBIO Z-21 SV
36	22250050	CORONA CAMBIO Z-15 SV	GEARBOX RING GEAR Z-15 SV	COURONNE BOITE DE VITESSE	GETRIEBEKRANZ Z-15 SV	CORONA CAMBIO Z-15 SV
37	41605027	VITE 8 X16 5739 8.G ZN	BOLT 8X16 5739 8.G GALVANIZED	VIS 8X16 5739 8.G ZN	SCHRAUBE 8X16 5739 8.G ZN	TORNILLO 8X16 5739 8.G ZN
38	41601064	VITE 12X100 5737 8.G *	SCREW 12X100 5737 8.G *	VIS 12X100 5737 8.G *	SCHRAUBE 12X100 5737 8.G	TORNILLO 12X100 5737 8.G
39	22505040	VITE DI REGOLAZIONE MOLLA	SPRING ADJUSTMENT BOLT	VIS DE REGLAGE RESSORT	EINSTELLSCHRAUBE FEDER	TORNILLO DE REGULACIN MUELLE S
40	22310042	MOLLA COMPR.ELEMENTO COMPL.DP	COMPR. ELEM.SPRING ASSY .DP	RESSORT COMPR. ELEMENTO COMPL.	DRUCKFEDER ELEMENT KOMPL DP	MUELLE COMPR. ELEMENTO COMPL.D
41	15830440	BOCCOLA MOLLA TRAZIONE ZN.	GALVANIZED BUSH EXTENSION SPR	DOUILLE RESSORT TRACTION ZN	ZUGFEDERBUCHSE	MANGUITO MUELLE DE TRACCIÈN GA
42	41605015	VITE 6 X16 5739 8.G ZN	BOLT 6X16 5739 8.G GALVANIZED	VIS 6X16 5739 8.G ZN	SCHRAUBE 6X16 5739 8.G ZN	TORNILLO 6X16 5739 8.G ZN
43	15830141	PARAFANGO	MUDGARD/FENDER	PARE-BOUE	KOTFL. GEL	GUARDABARRO
44	15830190	PREMONTAGGIO RUOTA TRASM.R	TRANSMISSION WHEEL R	ROUE ENTRAINEMENT R	ANTRIEBSRAD R	CONJ. BRAZOS RUEDA DE TRANSMIS
45	15835110	BRACCI RUOTA TRASMISSIONE	TRANSMISSION WHEEL ARMS ASSEMB	GR. BRAS ROUE ENTRAINEMENT	ANTRIEBSRADARME	RUEDA DE TRANSMISIN R
46	22250028	PIGNONE Z-15 SV	Z-15 PINION SV	PIGNON Z-15 SV	RITZEL Z-15 SV	PI¼N Z-15 SV
47	22250006	INGR.CON MOZZO 1/2 Z-10 SV	GEARS- W/ HUB 1/2 Z-10 SV	ENGRENAGE AVEC MOYEU 1/2 Z-10	ZAHNRAD MIT NABE 1/2 Z-10 SV	ENGRAN.CON PERNO 1/2 Z-10 SV
48	45965008	SPINA A SCATTO D.4,4 B/80	SNAP PIN D.4-4 B/80	FICHE A DETENTE D. 4-4 B/80	EINRASTSTIFT D 4-4 B/80	CLAVIJA DE MUELLE D.4-4 B/80
49	41602083	VITE 14X180 5737 8.G ZN	BOLT 14X180 5737 8.G GALVANIZ.	VIS 14X180 5737 8.G ZN	SCHRAUBE 14X180 5737 8.G ZN	TORNILLO 14X180 5737 8.G ZN
50	15835240	CARTER RUOTA TRASMISSIONE R	TRANSMISSION CASE	CARTER DE TRANSMISSION	ANTRIEBSGEHZUSE	CµTER DE TRANSMISIN C
51	89900170	DECAL.GASPARDO 354X75	GASPARDO STICKER 354X75	DECALCOMANIE GASPARDO 354X75	ABZIEHB. GASPARDO 354X75	CAL. GASPARDO 354X75
52	65337035	MOLLA TENDICATENA RUOTA DP	CHAIN TIGHTENER SPRING DP	RESSORT TENDEUR DE CHAINE ROUE	FEDER KETTENSANNER RAD DP	MUELLE TENSOR DE LA CADENA RUE
53	41724082	VITE 10X25 5933 10.9 ZN	0	0	0	0
54	43549003	DADO TRISTOP M10	NUT TRISTOP M10	ECROU TRISTOP M10	MUTTER TRISTOP M10	TUERCA TRISTOP M10

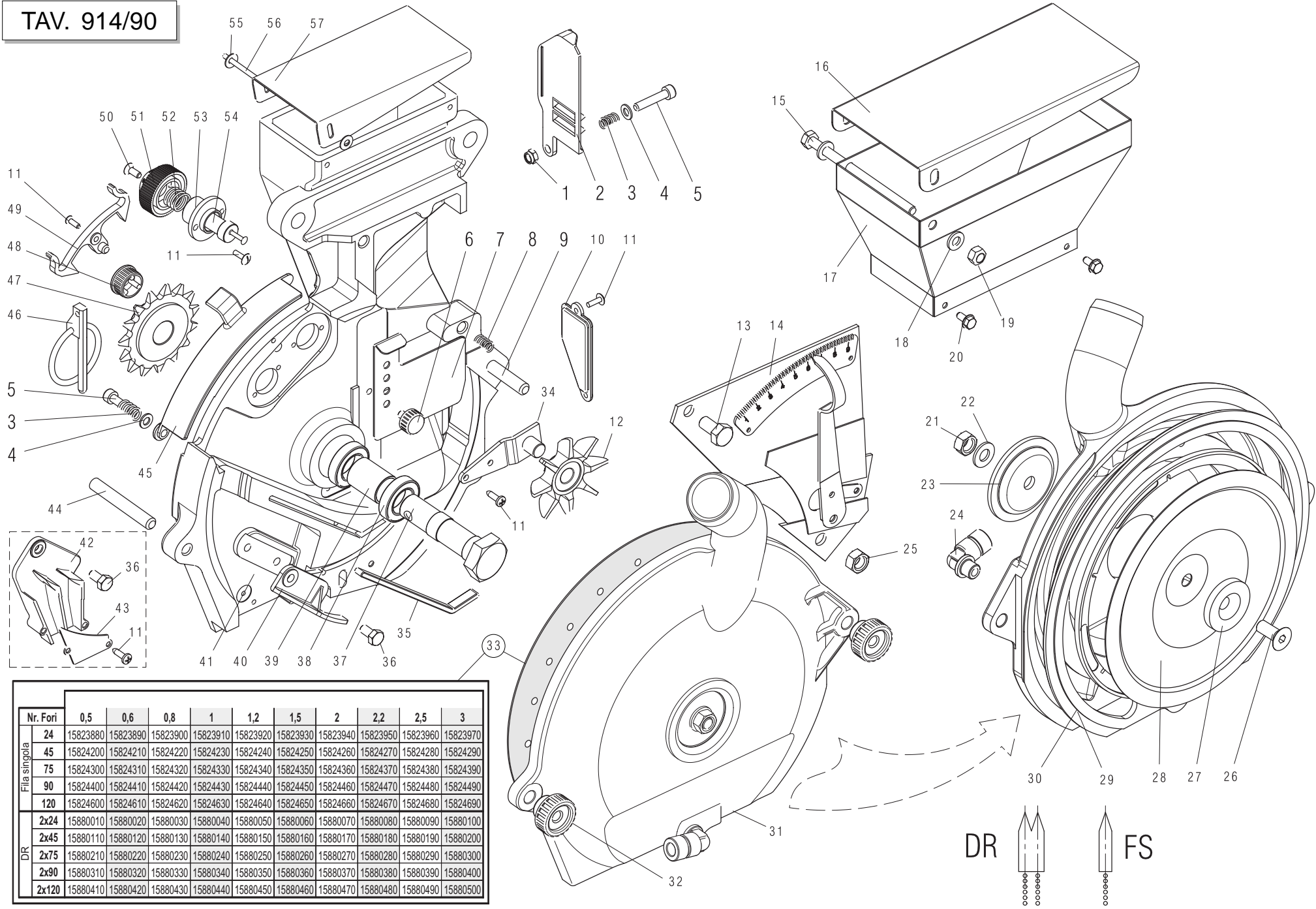


# RUOTA DI TRASMISSIONE

TAV. 914/80

Pos.	Cod.	Descrizione	Description	Description	Benennung	Descripcion
55	44953004	RONDELLA D10 UNI 6592 ZN	WASHER D10 UNI 6592 GALVANIZED	RONDELLE D10 UNI 6592 ZN	UNTERLEGSSCHEIBE D10 UNI 6592 Z	ARANDELA D10 UNI 6592 ZN
56	41724047	VITE 8X35 5933 8.8 ZN	BOLT 8X35 5933 8.8 GALVANIZ.	VIS 8X35 5933 8.8 ZN	SCHRAUBE 8X35 5933 8.8 ZN	TORNILLO 8X35 5933 8.8 ZN
57	15830460	TENDICATENA SEM. R	SEEDER CHAIN TIGHTENER R	TENDEUR DE CHAINE SEMEUR R	KETTENSPELLER SZELEMENT R	TENSOR DE CADENA SEMBRADOR R
58	19005110	RULLO TENDICATENA	CHAIN TIGHTENER ROLLER	ROULEAU TENDEUR DE CHAINE	ROLLE KETTENSPELLER	RODILLO TENSOR DE LA CADENA
59	18801450	BOCCOLA 8,25 X18 X17	BUSHING 8,25 X 18 X 17	BOITE 8,25 X18 X17	BsCHSE 8,25 X18 X17	CASQUILLO 8,25 X18 X17
60	44953503	ROND.PIANA 9X 24X2 6593 ZN	FLAT WASHER 9X 24X2 6593 GALV.	ROND. PLATE 9X 24X2 6593 ZN	SCHEIBE 9X 24X2 6593 ZN	ARAND. PLANA 9X 24X2 6593 ZN
61	45965008	SPINA A SCATTO D.4,4 B/80	SNAP PIN D.4-4 B/80	FICHE A DETENTE D. 4-4 B/80	EINRASTSTIFT D 4-4 B/80	CLAVIJA DE MUELLE D.4-4 B/80
62	22250007	INGR.CON MOZZO 1/2 Z-20 SV	GEARS- W/ HUB 1/2 Z-20 SV	ENGRENAGE 1/2 Z-20	ZAHNRAD MIT NABE 1/2 Z-20 SV	ENGRAN.CON PERNO 1/2 Z-20 SV
63	41602143	VITE 14X190 5737 8.8 ZN	BOLT 14X190 5737 8.G GALVANIZ	VIS 14X190 5737 8.G ZN	SCHRAUBE 14X190 5737 8.G ZN	TORNILLO 14X190 5737 8.G ZN
64	57158213	SP.CAT.1/2-3/16 113M.ISO 084-1	CHAIN 1/2-3/16 113 LINKS ISO 0	CHAINE 1/2-3/16 113 MAILLES IS	KETTE 1/2-3/16 113 GLIEDER ISO	CADENA 1/2-3/16 113ESLAB. ISO
65	41605032	VITE 8 X30 5739 8.G ZN	BOLT 8X30 5739 8.G GALVANIZED	VIS 8X30 5739 8.G ZN	SCHRAUBE 8X30 5739 8.G ZN	TORNILLO 8X30 5739 8.G ZN
66	22310011	FLANGIA CAMBIO DP	GEARBOX FLANGE DP	BRIDE BOITE DE VITESSE DP	FLANSCH GETRIEBE DP	BRIDA CAMBIO DP
67	15110091	SCONTRO A U	STRIKER	BRIDE 150 MM	ANSCHLAG	ELEMENTO DE EMPALME

# TAV. 914/90

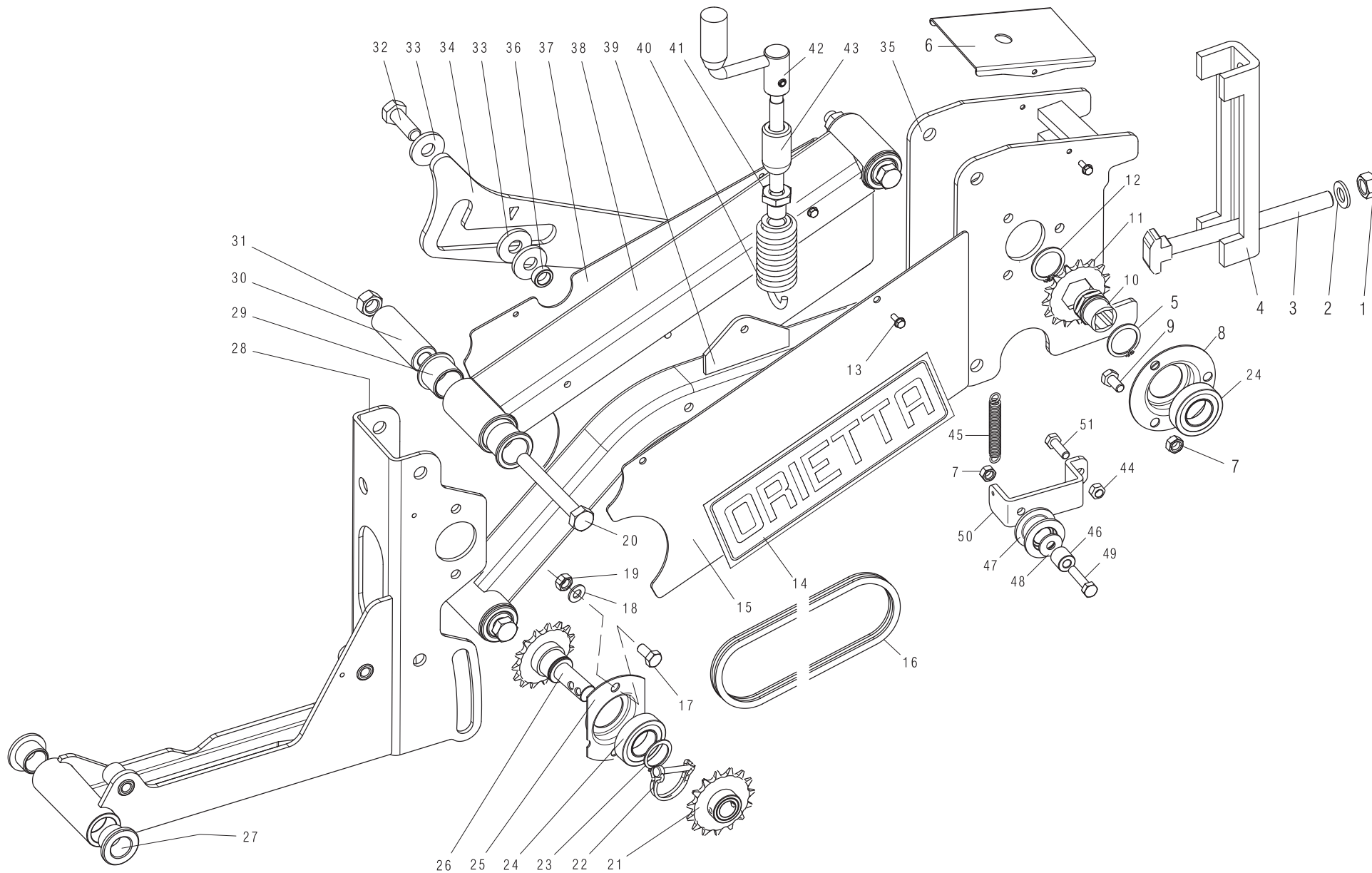


	Nr. Fori	0,5	0,6	0,8	1	1,2	1,5	2	2,2	2,5	3
Fila singola	24	15823880	15823890	15823900	15823910	15823920	15823930	15823940	15823950	15823960	15823970
	45	15824200	15824210	15824220	15824230	15824240	15824250	15824260	15824270	15824280	15824290
	75	15824300	15824310	15824320	15824330	15824340	15824350	15824360	15824370	15824380	15824390
	90	15824400	15824410	15824420	15824430	15824440	15824450	15824460	15824470	15824480	15824490
	120	15824600	15824610	15824620	15824630	15824640	15824650	15824660	15824670	15824680	15824690
DR	2x24	15880010	15880020	15880030	15880040	15880050	15880060	15880070	15880080	15880090	15880100
	2x45	15880110	15880120	15880130	15880140	15880150	15880160	15880170	15880180	15880190	15880200
	2x75	15880210	15880220	15880230	15880240	15880250	15880260	15880270	15880280	15880290	15880300
	2x90	15880310	15880320	15880330	15880340	15880350	15880360	15880370	15880380	15880390	15880400
	2x120	15880410	15880420	15880430	15880440	15880450	15880460	15880470	15880480	15880490	15880500

# DISTRIBUTORE SEMI

TAV. 914/90

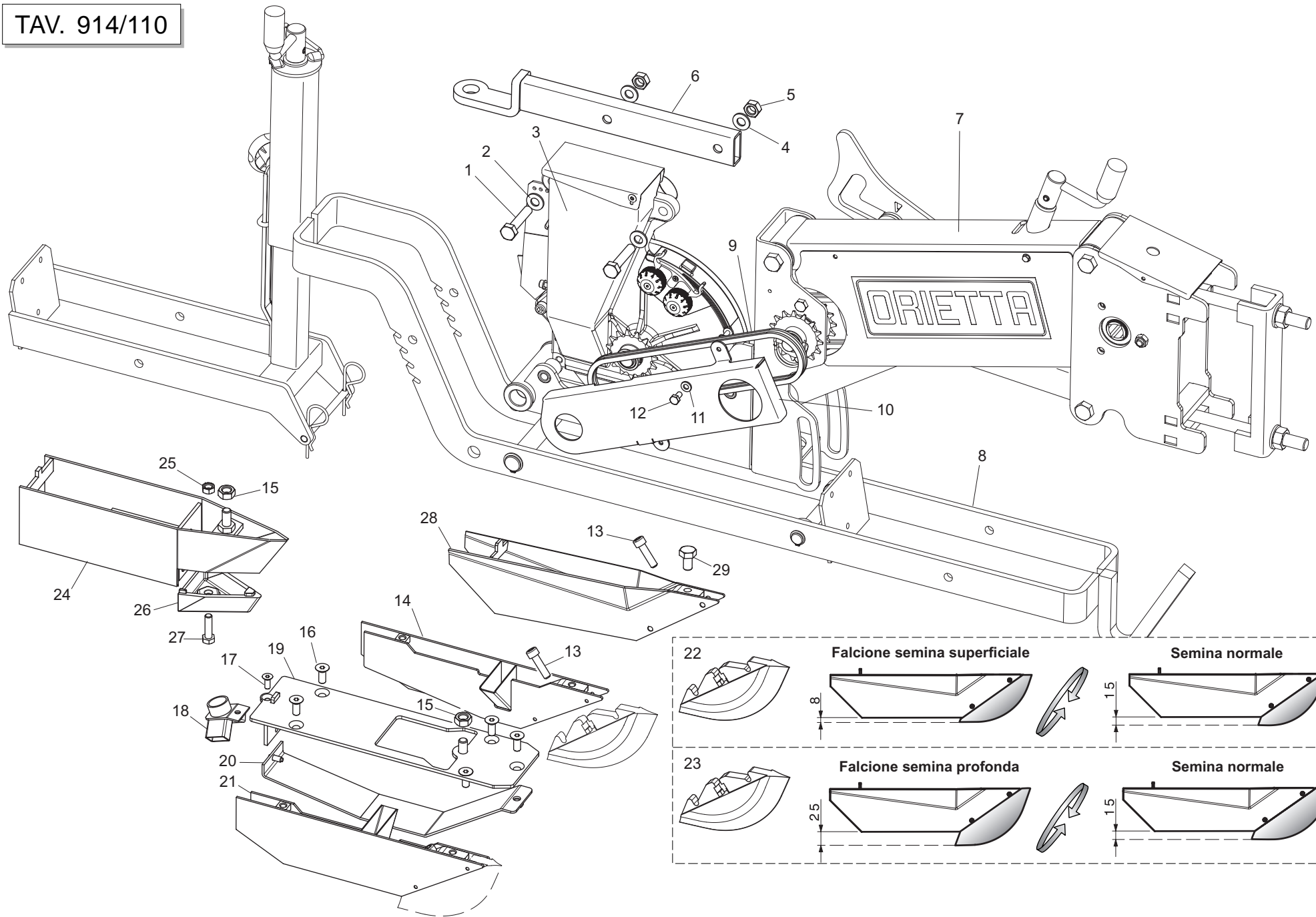
Pos.	Cod.	Descrizione	Description	Description	Benennung	Description
1	43442003	DADO AUTOB.NOR.5 ZN	NORM.SELF-LOCKING NUT 5 GALVAN	ECROU AUTOB.NOR.5 ZN	SELBSTSP. MUTTER NOR.5 ZN	TUERCA AUTOB. NOR. 5 ZN
2	19004880	FINESTRA DISTRIBUTORE	DISTRIBUTOR OPENING	FENETRE DISTRIBUTEUR	VERTEILERFENSTER	VENTANA DISTRIBUIDOR
3	18904240	MOLLA APERTURA PORTA CONTROLLO	SPRING	RESSORT	FEDER	MUELLE
4	44953001	RONDELLA D5 UNI 6592 ZN	WASHER D5 UNI 6592 ZN	RONDELLE D5 UNI 6592 ZN	UNTERLEGSSCHEIBE D5 UNI 6592 ZN	ARANDELA D5 UNI 6592 ZN
5	41605009	VITE 5 X30 5739 8.G ZN	BOLT 5X30 5739 8.G GALVANIZED	VIS 5X30 5739 8.G ZN	SCHRAUBE 5X30 5739 8.G ZN	TORNILLO 5X30 5739 8.G ZN
6	67008091	VOLANTINO ZIGR. D.15-M5 X10 >	KNURLED FLYWHEEL D.15-M5 X10	VOLANT CANNEL+ D.15-M5 X10	GER-ND. HANDRAD D.15-M5 X10	VOLANTE ESTR. D.15-M5 X10
7	15826040	PORTELLO ALIMENTAZIONE	POWER FLAP	PORTILLONALIMENTATION	ZUF_HRUNGSDECKEL	REGISTRO ALIMENTACIEN
8	65338044	MOLLA COMP.ZN PRESS.SELETT. SV	ZN SELECT. PRESS. COMP. SPRING	RESSORT COMPL. ZN PRESS. SELEC	DRUCKFEDER ZN WZHLERDRUCK SV	MUELLE COMP.ZN PRES. SELECT. S
9	41605036	VITE 8 X50 5739 8.G ZN	BOLT 8 X50 5739 8.G GALVANIZED	VIS 8 X50 5739 8.G ZN	SCHRAUBE 8 X50 5739 8.G ZN	TORNILLO 8 X50 5739 8.G ZN
10	19004640	FINESTRA LIVELLO SEME "R"	SEED LEVEL OPENING "R"	FENETRE DE NIVEAU DES GRAINES	SAMENINSPEKTIONSFENSTER "R"	VENTANA DE NIVEL SEMILLAS
11	41982007	VITE 3,5X6,5 DIN 7981	SCREW 3.5X6.5 DIN 7981	VIS 3,5X6,5 DIN 7981	SCHRAUBE 3,5X6,5 DIN 7981	TORNILLO 3,5X6,5 DIN 7981
12	15828430	ASS.AGITATORE R	STIRRER ASSEMBLY R	GR. AGITATEUR R	SAMENMISCHER R	CONJ. AGITADOR R
13	41984001	VITE AUTOF.4,2X9,5T.E.TAG.F.R.O	BOLT- SELF-TAPPING 4-2X9-5T.E.	VIS AUTOTAR. 4-2X9-5 T. E. COU	SELBSTSCHNEID. SCHRAUBE 4-2X9-5	TORNILLO AUTORROSC. 4-2X9-5
14	15828070	ASSIEME SELETTORE	SELECTOR ASSEMBLY	GR. SELECTEUR	WZHLER	CONJ. SELECTOR
15	41602021	VITE 6 X100 5737 8.G ZN	BOLT 6 X100 5737 8.G GALVANIZ.	VIS 6 X100 5737 8.G ZN	SCHRAUBE 6 X100 5737 8.G ZN	TORNILLO 6 X100 5737 8.G ZN
16	15828611	COPERCHIO RIALZO TRAMOGGIA	LIFT HOOPER COVER	COUVERCLE HAUTEUR TREMIE	ERYHTHUNG TRICHTERDECKEL	TAPAREALCE DE LA TOLVA
17	15828561	RIALZO TRAMOGGIA	LIFT HOOPER ASSEMBLY	GR. HAUTEUR TREMIE	TRICHTERDECKEL	CONJ. REALCE DE LA TOLVA
18	44953002	RONDELLA D6 UNI 6592 ZN	WASHER D6 UNI 6592 GALVANIZED	RONDELLE D6 UNI 6592 ZN	UNTERLEGSSCHEIBE D6 UNI 6592 ZN	ARANDELA D6 UNI 6592 ZN
19	43549001	DADO TRISTOP M 6	NUT- TRISTOP M 6	ECROU TRISTOP M 6	MUTTER TRISTOP M 6	TUERCA TRISTOP M 6
20	41984001	VITE AUTOF.4,2X9,5T.E.TAG.F.R.O	BOLT- SELF-TAPPING 4-2X9-5T.E.	VIS AUTOTAR. 4-2X9-5 T. E. COU	SELBSTSCHNEID. SCHRAUBE 4-2X9-5	TORNILLO AUTORROSC. 4-2X9-5
21	43530006	DADO 8 5588 6.8 ZN	NUT 8 UNI 5588 6.8 GALVANIZED	ECROU 8 UNI 5588 6.8 ZN	MUTTER 8 UNI 5588 6.8 ZN	TUERCA 8 UNI 5588 6.8 ZN
22	44957006	RONDELLA D8 DIN 6798 D.INT.ZN	WASHER D8 DIN 6798 D.INT.ZN	RONDELLE D8 DIN 6798 D. INT. Z	UNT. SCHEIBE D8 DIN 6798 D. IN	ARANDELA D8 DIN 6798 D.INT.ZN
23	16620470	TAPPO CENTRALE H=7,5	CENTRAL PLUG H=7,5	BOUCHON CENTRAL H=7,5	ZENTRALER PFROPFEN H=7,5	TAPEN CENTRAL H=7,5
24	67321088	RACC.SUPERAPIDO 90° 1/8G-8	SUPER-QUICK CONNECTOR 90° 1/8G	RACC.SUPERAPIDE 90° 1/8G-8	SUPERSCHNELLANSCHLUSS 90° 1/8G	RACOR SUPERR-PIDO 90° 1/8G-8
25	43530006	DADO 8 5588 6.8 ZN	NUT 8 UNI 5588 6.8 GALVANIZED	ECROU 8 UNI 5588 6.8 ZN	MUTTER 8 UNI 5588 6.8 ZN	TUERCA 8 UNI 5588 6.8 ZN
26	41724073	VITE 8X20 5933 8.G ZN.	SCREW 8X20 5933 8.G ZN.	VIS 8X20 5933 8.G ZN.	SCHRAUBE 8X20 5933 8.G ZN.	TORNILLO 8X20 5933 8.G ZN.
27	18701890	RONDELLA D.8,5 SVASATA ZN.	FLARED WASHER D.8.5 ZN.	RONDELLE D.8,5 +VAS+E ZN.	F-CHERSCHEIBE D.8,5 ZN.	ARANDELA Ì 8,5 ABOCINADA ZN.
28	15828290	CAPPELLOTTO TENUTA GUARNIZ.DR	SEALING RING CAP DR.	CAPUCHON D'TANCHEITE GARNITUR	ABSCHLUSSKAPPE DICHTUNG DR	ENVOLTURA HERMETICIDAD JUNTA D
29	19005010	GUARNIZIONE COPERCHIO R13 - R1	COVER SEAL R13 - R1	GARNITURE COUVERCLE R13 - R1	DICHTUNG DECKEL R13 - R1	JUNTA TAPA R13 - R1
30	19005030	GUARNIZIONE COPERCHIO R13 - DR	COVER SEAL R13 - DR	GARNITURE COUVERCLE R13 - DR	DICHTUNG DECKEL R13 - DR	JUNTA TAPA R13 - DR
31	15826060	COPERCHIO CORPO DISTR.R1"LAV."	DISTRIB. CASING COVER R1"LAV."	COUVERCLE CORPS DISTRIBUTEUR R	DECKEL SZAPPARATKTRPER R1"LAV.	TAPA CUERPO DISTRIB. R1"LAV."
32	67008090	VOLANTINO ZIGR.D.26-M8 FEM	KNURLED FLYWHEEL D.26-M8 FEM	VOLANT CANNEL+ D.26-M8 FEM	GER-ND. HANDRAD D.26-M8 FEM	VOLANTE ESTR. Ì 26-M8 FEM
33	***	VEDI TABELLA	SEE TABLE	SIEHE TABELLE	VOIR TABLEAU	VER TABLA
34	10521093	SUPPORTO AGITATORE R	STIRRER SUPPORT R	SUPPORT AGITATEUR R	HALTERUNG R_HRWELLE R	SOPORTE AGITADOR R
35	19004650	GUARNIZIONE SEME "R"	SEED SEAL "R"	GARNITURE GRAINES "R"	SAMEN DIHTUNG "R"	JUNTA SEMILLAS "R"
36	41605004	VITE 5 X12 5739 8.G ZN	BOLT 4X12 5739 8.G GALVANIZED	VIS 5X12 5739 8.G ZN	SCHRAUBE 5X12 5739 8.G ZN	TORNILLO 5X12 5739 8.G ZN
37	15828390	TRASCINATORE DISCO ZN.	GALVAN. DISK DRIVER	ENTRAINEUR DISQUE ZN	MITNEHMER SCHEIBE ZN	ARRASTRADOR DISCO ZN
38	51104208	CUSCINETTO 61903-2RS1	BEARING 61903-2RS1	PALIER 61903-2RS1	LAGER 61903-2RS1	COJINETE 61903-2RS1
39	15826970	DISTANZIALE ZN.	GALVAN. SPACER	ENTRETOISE ZN	DISTANZSTsCK ZN	DISTANCIADOR ZN
40	19004890	ESPULSORE SEME DISTRIB.R1	0	0	0	0
41	15826051	CORPO DISTRIBUTORE R1 "LAVOR."	"MACHINED" DISTRIBUTOR CASING	CORPS DISTRIBUTEUR R1 "TRAVAIL	"BEARBEITET" SZAPPARATKTRPER R	CUERPO DISTRIBUCIN MECANIZADO
42	19005020	DIVISORE SEME DISTRIBUTORE DR	SEED DIVIDER DISTRIBUTOR DR	DISTRIBUTEUR SEPARATEUR GRAINE	SZAPPARAT SAAMENABSCHIEDER DR	DISTRIBUDOR DIVISOR SEMILLAS D
43	15823830	DISCO 8 FORI D.3,0 S.P. V	DIVIDER CASE	CARTER SEPARATEUR	TRENNUNGSGEH-USE	C-RTER DIVISOR
44	10521111	PRIGIONIERO CORPO DISTR.	DISTR. CASING STUD BOLT . SV	PRISONNIER CORPS DISTRIB.	STIFTSCHRAUBE SZAPPARATKTRPER	TIRANTE CUERPO DISTR.
45	19004591	#N/D	#N/D	#N/D	#N/D	#N/D
46	45965001	SPINA A SCATTO D 5 B/81	SNAP PIN D 5 B/81	FICHE A DETENTE D. 5 B/81	EINRASTSTIFT D 5 B/81	CLAVIJA DE MUELLE D 5 B/81
47	15827420	INGRANAGGIO Z.15 COMPL.	FITTING GEAR Z.15	MONT. ENGRANAGE Z.15	MONT. ZAHNRAD Z.15	MONT. ENGRANAJE Z.15
48	67008099	TAPPO FORO SELETTORE >	SELECTOR HOLE PLUG	BOUCHON TROU SELECTEUR	PFROPFEN LOCHWZLER	TAPN AGUJERO SELECTOR
49	19004580	SCATTO SELETTORE DR "R"	SELECTOR RELEASE	DETENTE SELECTEUR	PFROPFEN EINRASTUNG	DISPARADOR SELECTOR
50	41724010	VITE 4 X10 5933 10.9 ZN	BOLT 4X10 5933 10.9 GALVANIZ.	VIS 4X10 5933 10.9 ZN	SCHRAUBE 4X10 5933 10.9 ZN	TORNILLO 4X10 5933 10.9 ZN
51	19002121	POMELLO GRADUATO SELET.ECC.SV	GRADUATED KNOB SV	POIGNEE GRADUEE SV	SKALENGRIFF SV	PERILLA GRADUADA SV
52	65338045	MOLLA COMP.SELETT.ECCEN. SV	ECCENTRIC SELECTOR COMP. SPRIN	RESSORT COMPL. SELECT. EXCEN.	DRUCKFEDER WZHLER NOCKEN SV	MUELLE COMP.SELECT. EXCN. SV A
53	15825840	SUPPORTO SELETTORE SEM.ORTAG.	VEGETABLE SEED SELECTOR SUPPOR	SUPPORT SELECTEUR SEMIS LEGUM	GEM_SESAMENABSTREIFERHALTERUNG	SOPORTE SELECTOR SEMBRADOR DE.
54	22250145	PUNTA SELETTORE ECCENTRICO SV	ECCENTRIC SELECTOR POINT SV	POINTE SELECTEUR EXCENTR. SV	NOCKENWZHLERSPITZE SV	PUNTA SELECTOR EXCNTRICO SV P
55	52123001	FISSATORE ELAST.ALBERO D.3 S.S	D.3 S.S ELASTIC SHAFT FASTENE	FIXATEUR ELAST. ARBRE D.3 S.S	WELLE, ELASTISCHE BEFESTIGUNG	FIJADOR EL-STICO -RBOL D.3.S.S
56	15828220	PERNO COPERCHIO DISTRIB.ZN	DISTRIBUTOR COVER PIN	PIVOT COUVERCLE DISTRIBUTEUR	BOLZEN DECKEL SZAPPARAT	PERNO TAPA DISTRIBUDOR
57	15828210	COPERCHIO DISTRIBUTORE	DISTRIBUTOR COVER	COUVERCLE DISTRIB.	DECKEL SZAPPARAT	TAPA DISTRIB.



**TELAIO ELEMENTO**
**TAV. 914/100**

Pos.	Cod.	Descrizione	Description	Description	Benennung	Descripcion
1	43529009	DADO 14 5588 6.8	NUT 14 UNI 5588 6.8	ECROU 14 UNI 5588 6.8	MUTTER 14 UNI 5588 6.8	TUERCA 14 UNI 5588 6.8
2	44953006	RONDELLA D14 UNI 6592 ZN	WASHER D14 UNI 6592 GALVANIZED	RONDELLE D14 UNI 6592 ZN	UNTERLEGSCHIEBE D14 UNI 6592 Z	ARANDELA D14 UNI 6592 ZN
3	16610010	VITE A MARTELLLO M14X165	WINGED SCREW M14X165	VIS A TETE MARTEAU M14X165	ZWEIFLÜGEL- SCHRAUBEN M14X165	TORNILLO DE MARIPOSA M14X165
4	15110091	SCONTRIO A U	STRIKER	BRIDE 150 MM	ANSCHLAG	ELEMENTO DE EMPALME
5	52121025	ANELLO ARR.28 UNI 7435-75	STOP RING 28 UNI 7435-75	BAGUE DE SERRAGE 28 UNI 7435-7	DRAHTSPRENGRING 28 UNI 7435-75	ANILLO PARADA 28 UNI 7435-75
6	15829050	CARTER SUPERIORE	TOP CASE	CARTER SUPERIEUR	OBERES GEHZUSE	CARTER SUPERIOR
7	43530006	DADO 8 5588 6.8 ZN	NUT 8 UNI 5588 6.8 GALVANIZED	ECROU 8 UNI 5588 6.8 ZN	MUTTER 8 UNI 5588 6.8 ZN	TUERCA 8 UNI 5588 6.8 ZN
8	22230094	SUPPORTO CUSCINETTO	BEARING SUPPORT	SUPPORT PALIER	LAGERBSCHSE	SOPORTE COJINETE
9	41605027	VITE 8 X16 5739 8.G ZN	BOLT 8X16 5739 8.G GALVANIZED	VIS 8X16 5739 8.G ZN	SCHRAUBE 8X16 5739 8.G ZN	TORNILLO 8X16 5739 8.G ZN
10	22250441	MOZZO CORONA SEMINATORE SV/2	PLANTING UNIT CROWN HUB SV/2	MOYEU COURONNE SEMEUR SV/2	KRANZNABE SZELEMENT SV/2	CUBO CORONA SEMBRADOR SV/2
11	22250190	CORONA ASSE SEMINAT.Z-15 SV	PLANTING UNIT AXLE Z-15 RING G	COURONNE AXE SEMEUR Z-15 SV	KRANZ SZELEMENTACHSE Z-15 SV	CORONA EJE SEMBR. Z-15 SV
12	52121025	ANELLO ARR.28 UNI 7435-75	STOP RING 28 UNI 7435-75	BAGUE DE SERRAGE 28 UNI 7435-7	DRAHTSPRENGRING 28 UNI 7435-75	ANILLO PARADA 28 UNI 7435-75
13	41605014	VITE 6 X14 5739 8.G ZN	BOLT 6X14 5739 8.G GALVANIZED	VIS 6X14 5739 8.G ZN	SCHRAUBE 6X14 5739 8.G ZN	TORNILLO 6X14 5739 8.G ZN
14	19704363	DECALCOMANIA ADESIVA ORIETTA	ORIETTA STICKER	DECAL. ORIETTA	ABZIEHB. ORIETTA	CAL. ORIETTA
15	15826272	CARTER PARALLELOGRAMMADX	0	0	0	0
16	57158008	SPEZ.CAT.1/2 ISO 083 80MAGLIE	CUT-DOWN CHAIN 1/2 ISO 083 80	TR. CH.1/2 ISO 083 54 MAILLES	KETTENZANGE 1/2 ISO 083 80 GL	TRECHO CADENA 1/2 ISO 083 80 E
17	41605025	VITE 8 X12 5739 8.G ZN	BOLT 8X12 5739 8.G GALVANIZ.	VIS 8X12 5739 8.G ZN	SCHRAUBE 8X12 5739 8.G ZN	TORNILLO 8X12 5739 8.G ZN
18	44953003	RONDELLA D8 UNI 6592 ZN	WASHER D8 UNI 6592 GALVANIZED	RONDELLE D8 UNI 6592 ZN	UNTERLEGSCHIEBE D8 UNI 6592 ZN	ARANDELA D8 UNI 6592 ZN
19	43440005	DADO 8 5448 5.8 ZN	NUT 8 UNI 5448 5.8 ZN	ECROU 8 UNI 5448 5.8 ZN	MUTTER 8 UNI 5448 5.8 ZN	TUERCA 8 UNI 5448 5.8 ZN
20	41602126	VITE 12X100 5737 8.G ZN	BOLT 12X100 5737 8.G GALVANIZ.	VIS 12X100 5737 8.G ZN	SCHRAUBE 12X100 5737 8.G ZN	TORNILLO 12X100 5737 8.G ZN
21	15826640	MOZZO RINVIO COMPL.	TRANSM. HUB FITTING	MONT. MOYEU TRANSMISSION	MONT. VORGELEGENABE	MONT. CUBO TRASMSIN
22	45965001	SPINA A SCATTO D 5 B/81	SNAP PIN D 5 B/81	FICHE A DETENTE D. 5 B/81	EINRASTSTIFT D 5 B/81	CLAVIJA DE MUELLE D 5 B/81
23	52121022	ANELLO ARR.25 UNI 7435-75	STOP RING 25 UNI 7435-75	BAGUE DE SERRAGE 25 UNI 7435-7	DRAHTSPRENGRING 25 UNI 7435-75	ANILLO PARADA 25 UNI 7435-75
24	51104406	CUSCINETTO 6005 2RS	BEARING 6005 2RS	ROULEMENT 6005 2RS	LAGER 6005 2RS	COJINETE 6005 2RS
25	15725030	SUPPORTO CUSCINETTO	BEARING SUPPORT	SUPPORT PALIER	LAGERHALTERUNG	SOPORTE COJINETE
26	15826600	ASS.ALBERO RINVIO R13 ZN	INTERMEDIATE SHAFT ASSEMBLY R1	GR. ARBRE TRANSMISSION R13 ZN	VORGELEGEWELLE R13 ZN	CONJ µRBOL TRANSMISIN R13 ZN
27	66349006	BOCCOLA	BUSHING	BOITE	BSCHSE	CASQUILLO
28	15826701	ATTACCO DISTRIBUTORE OR.	0	0	0	0
29	66349003	BOCCOLA SINT.	BUSHING- SINTERED	BOITE FRITTEE	SYNTH. BUECHSE	CASQUILLO SINT.
30	22250405	PERNO BRACCIO INFERIORE SV/2	PIN- LOWER ARM SV/2	PIVOT BRAS INF. SV/2	ZAPFEN UNTERER ARM SV/2	PERNO BRAZO INFERIOR SV/2
31	43549004	DADO TRISTOP M12	NUT- TRISTOP M12	ECROU TRISTOP M12	MUTTER TRISTOP M12	TUERCA TRISTOP M12
32	41605051	VITE 12X35 5739 8.G ZN	BOLT 12X35 5739 8.G GALVANIZED	VIS 12X35 5739 8.G ZN	SCHRAUBE 12X35 5739 8.G ZN	TORNILLO 12X35 5739 8.G ZN
33	20970035	RONDELLA 32X4X13	WASHER 32X4X13	RONDELLE 32X4X13	UNTERLEGSCHIEBE 32X4X13	ARANDELA 32X4X13
34	15826771	ASTAAGGANCIO PARALLELOGRAMMA	0	0	0	0
35	15828500	ATTACCO TELAI0150	FRAME COUPLING 150	FIXATION BATI 150	KUPPLUNG RAHMEN 150	CONEXIN BASTIDOR 150
36	20980082	BOCCOLA 18X7X12,25	BUSHING 18X7X12-25	BOITE 18X7X12-25	BSCHSE 18X7X12-25	CASQUILLO 18X7X12-25
37	15829041	CARTER PARALLELOGRAMMA SX	0	0	0	0
38	15826281	BRACCIO SUP.SEMIN.ORIETTA	ORIETTA TOP ARM SEEDER ASS.	GR. BRAS SUPERIEUR SEMEUR ORIE	OBERER ARM SZELEMENT ORIETTA	CONJ. BRAZO SUPERIOR SEMBRADOR
39	15826501	BRACCIO INF.PARALLELO OR.	PARALLELOGRAM LOWER ARM ASS.	GR. BRAS INF.	EINHEIT PARALLELOGRAMM UNT. AR	CONJ. BRAZO INF. PARALELOGRAMA
40	15828660	ASS.MOLLA ALLEGGERIMENTO	LIGHTENING SPRING COUPLING	ASS. RESSORT ALLEGEMENT	ERLEICHTERUNGSFEDERKOMPLEX	CONJ. MUELLE DE ALIGERAMIENTO
41	22505040	VITE DI REGOLAZIONE MOLLA	SPRING ADJUSTMENT BOLT	VIS DE REGLAGE RESSORT	EINSTELLSCHRAUBE FEDER	TORNILLO DE REGULACIN MUELLE S
42	15220960	MANIGLIA REGOLAZIONE	ADJUSTMENT HANDLE	POIGNEE REGLAGE	EINSTELLGRIFF	MANIJA REGULACION
43	15828760	BOCCOLA TENDITORE	BUSHING- TIGHTENER	BOITE TENDEUR	BSCHSE SPANNER	CASQUILLO TENSOR
44	43549002	DADO TRISTOP M 8	NUT- TRISTOP M 8	ECROU TRISTOP M 8	MUTTER TRISTOP M 8	TUERCA TRISTOP M 8
45	65337037	MOLLA TRAZ.AGGANCIO SEGN. SP/S	TRACTION COUPL.SPRING ROWMARKE	RESSORT TRACT. ATTEL. TRACEUR	ZUGFEDER SPURREISSERKUPPLUNG S	MUELLE TRAC. ENGANCHE MARC. FI
46	18801450	BOCCOLA 8,25 X18 X17	BUSHING 8,25 X 18 X 17	BOITE 8,25 X18 X17	BSCHSE 8,25 X18 X17	CASQUILLO 8,25 X18 X17
47	19005110	RULLO TENDICATENA	CHAIN TIGHTENER ROLLER	ROULEAU TENDEUR DE CHAINE	ROLLE KETTENSANNER	RODILLO TENSOR DE LA CADENA
48	44953503	ROND.PIANA 9X 24X2 6593 ZN	FLAT WASHER 9X 24X2 6593 GALV.	ROND. PLATE 9X 24X2 6593 ZN	SCHEIBE 9X 24X2 6593 ZN	ARAND. PLANA 9X 24X2 6593 ZN
49	41605033	VITE 8 X35 5739 8.G ZN	BOLT 8X35 5739 8.G GALVANIZED	VIS 8X35 5739 8.G ZN	SCHRAUBE 8X35 5739 8.G ZN	TORNILLO 8X35 5739 8.G ZN
50	15829150	#N/D	#N/D	#N/D	#N/D	#N/D
51	41605031	VITE 8 X25 5739 8.G ZN	BOLT 8X25 5739 8.G GALVANIZED	VIS 8X25 5739 8.G ZN	SCHRAUBE 8X25 5739 8.G ZN	TORNILLO 8X25 5739 8.G ZN



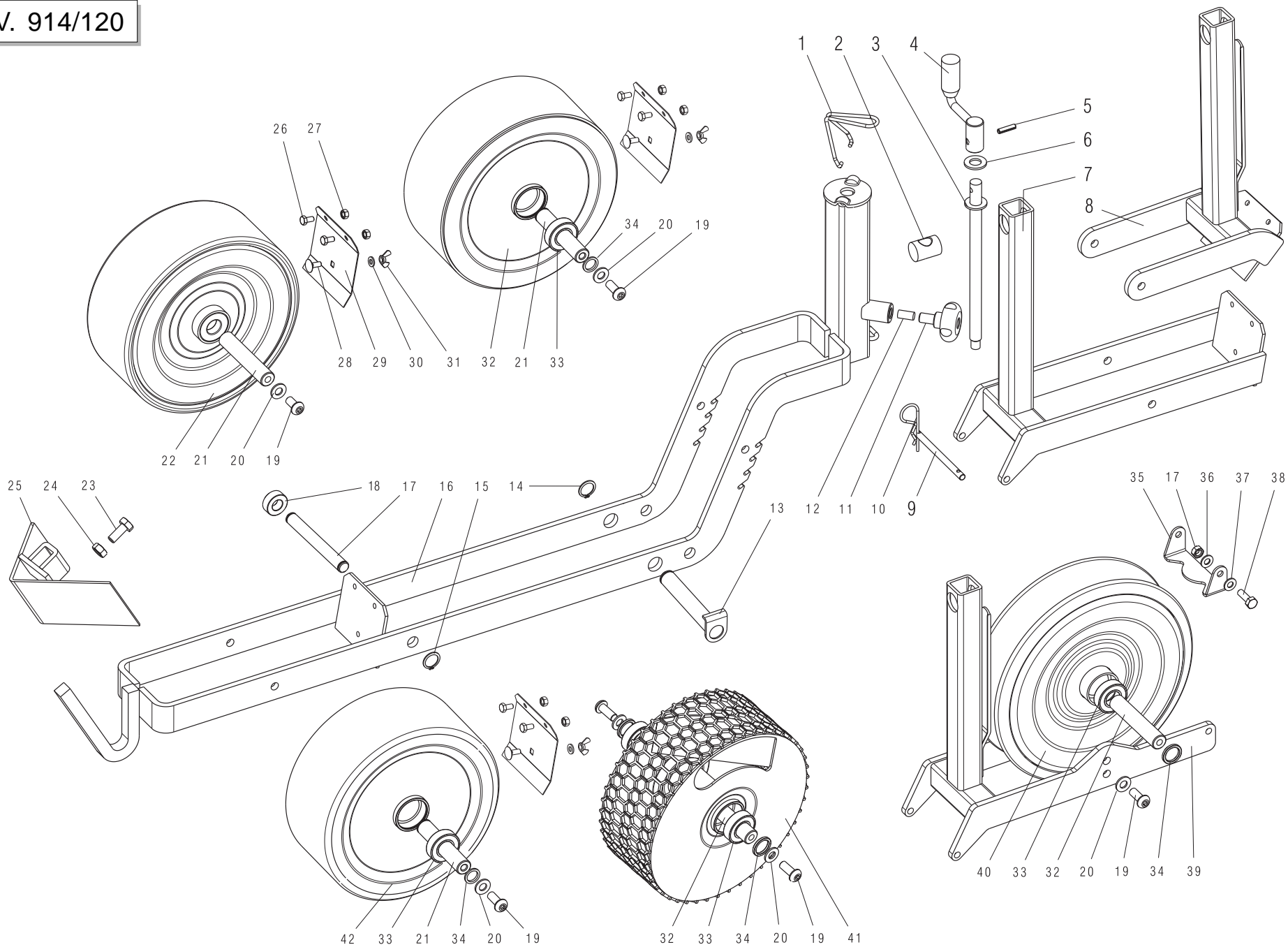




# SEMINATORE - FALCIONI ASSOLCATORI

TAV. 914/110

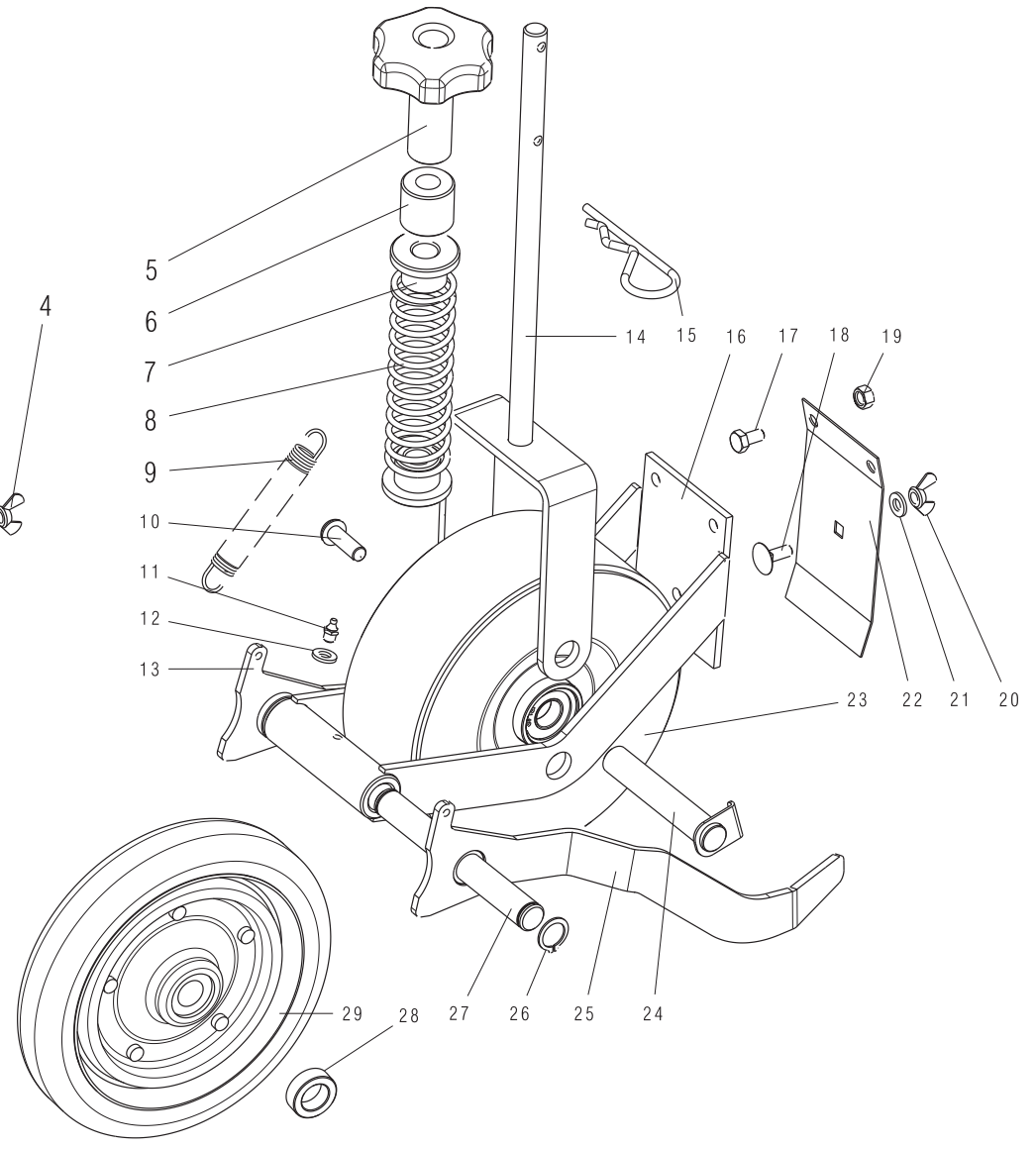
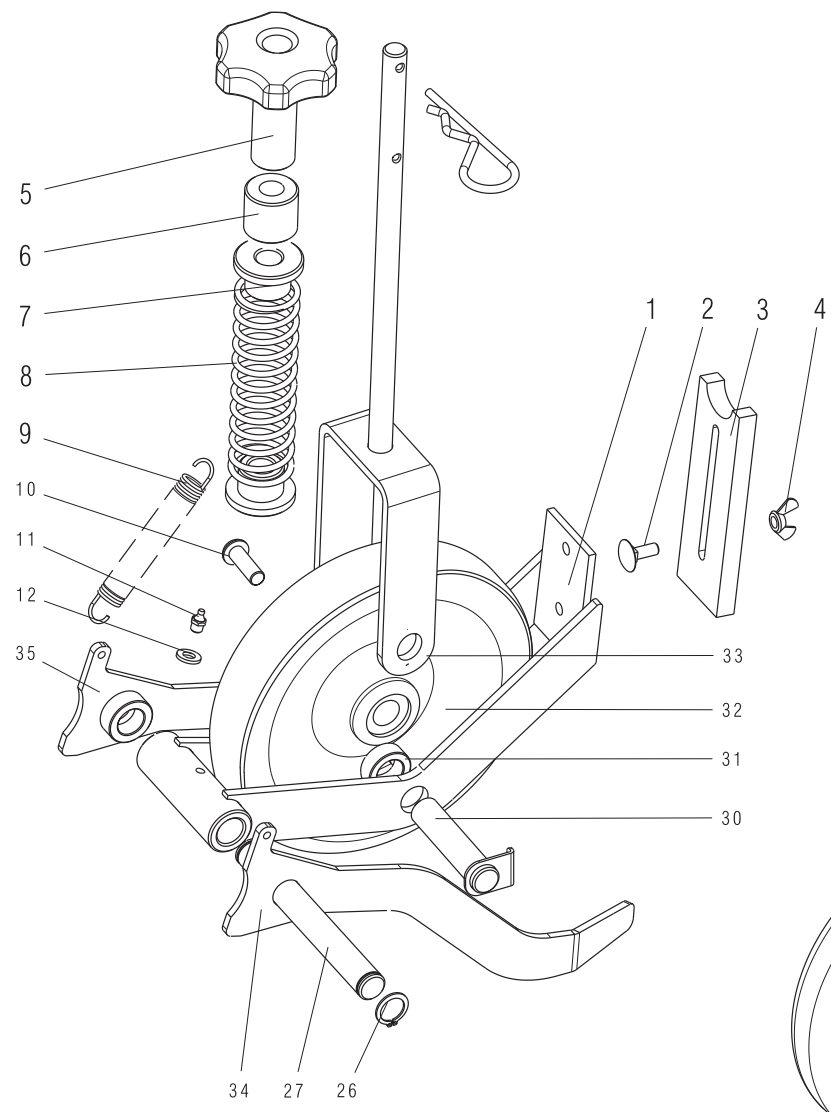
Pos.	Cod.	Descrizione	Description	Description	Benennung	Description
1	41602040	VITE 10X50 5737 8.G ZN	BOLT 10X50 5737 8.G GALVANIZED	VIS 10X50 5737 8.G ZN	SCHRAUBE 10X50 5737 8.G ZN	TORNILLO 10X50 5737 8.G ZN
2	44953004	RONDELLA D10 UNI 6592 ZN	WASHER D10 UNI 6592 GALVANIZED	RONDELLE D10 UNI 6592 ZN	UNTERLEGSSCHEIBE D10 UNI 6592 Z	ARANDELA D10 UNI 6592 ZN
3	15826160	DISTRIBUTORE R COMPL.	DISTRIBUTOR FITTING R	MONT. DISTRIBUTEUR R	MONT. SZAPPARAT R	MONT. DISTRIBUDOR R
3	15828370	DISTRIBUTORE DR COMPL.	DISTRIBUTOR FITTING R	MONT. DISTRIBUTEUR R	MONT. SZAPPARAT R	MONT. DISTRIBUDOR R
4	44957007	RONDELLA D10 DIN 6798 D.INT.ZN	WASHER D10 DIN 6798 D.INT.ZN	RONDELLE D10 DIN 6798 D. INT.	UNT. SCHEIBE D10 DIN 6798 D.IN	ARANDELA D10 DIN 6798 D.INT.ZN
5	43530007	DADO 10 5588 6.8 ZN	SCREW 10 UNI 5588 6.8 GALVANIZ	ECROU 10 UNI 5588 6.8 ZN	MUTTER 10 UNI 5588 6.8 ZN	TUERCA 10 UNI 5588 6.8 ZN
6	15826101	ATTACCO DISTRIBUTORE OR.	DISTRIBUTOR COUPLING ASSEMBLY	GR. FIXATION DISTRIB. OR	SZAPPARATANSCHLUSS OR	CONJ. CONEXIN DISTR. OR
7	15828541	PARALLELOGRAMMA ORIETTA COMPL.	ORIETTA PARALLELOGRAM FITTING	MONT. PARALLELOGRAMME ORIETTA	MONT. PARALLELOGRAMM ORIETTA	MONT. PARALELOGRAMA ORIETTA
8	15826811	BILANCIERE ORIETTA COMPL.	ORIETTA ROCKER FITTING	MONT. BALANCIER ORIETTA	MONT. KIPPEBEL ORIETTA	MONT. BALANCN ORIETTA
9	57158091	SP.CAT.1/2-3/16 52M.ISO 083-1	CHAIN 1/2 ISO 083 52 LINKS	CHAINE 1/2 ISO 083 52 MAILLES	KETTE 1/2 ISO 083 52 GLIEDER	CADENA 1/2 ISO 083 52 ESLAB.
10	15826401	CARTER RINVIO DISTRIBUTORE	DISTRIBUTOR INTERMEDIATE CASE	CARTER TRANSMISSION DISTRIBUTE	SAPPARAT VORGELEGEGEHUSE	CµRTER TRANSMISIN DISTRIBUDOR
11	44953802	RONDELLA D6 UNI 6592 INOX A2	INOX A2 WASHER D6 UNI 6592	RONDELLE D6 UNI 6592 INOX A2	UNTERLEGSSCHEIBE D6 UNI 6592 IN	ARANDELA D6 UNI 6592 INOX A2
12	41605013	VITE 6 X12 5739 8.G ZN	BOLT 6X12 5739 8.G GALVANIZED	VIS 6X12 5739 8.G ZN	SCHRAUBE 6X12 5739 8.G ZN	TORNILLO 6X12 5739 8.G ZN
13	41724020	VITE 8 X30 5931 8.G	SCREW 8 X30 5931 8.G	VIS 8 X30 5931 8.G	SCHRAUBE 8 X30 5931 8.G	TORNILLO 8 X30 5931 8.G
14	15827110	ASS.RIGA SX.FALCIONE DR	LEFT CUTTER LINE ASS. DR	GR. REGLE GAUCHE DE HACHOIR D	STAB LI SZSCHAR DR	CONJ. VARILLA IZQ. GUADA#ADORA
15	43530007	DADO 10 5588 6.8 ZN	SCREW 10 UNI 5588 6.8 GALVANIZ	ECROU 10 UNI 5588 6.8 ZN	MUTTER 10 UNI 5588 6.8 ZN	TUERCA 10 UNI 5588 6.8 ZN
16	41724048	VITE 8X16 5933	BOLT 8X16 UNI5933 10.9 GALVANI	VIS 8X16 UNI 5933 10.9 ZN	SCHRAUBE 8X16 UNI 5933 10.9 ZN	TORNILLO 8X16 UNI 5933 10.9 ZN
17	41724041	VITE 6 X16 5933 10,9 ZN	BOLT 6X16 5933 10.9 GALVANIZED	VIS 6X16 5933 10.9 ZN	SCHRAUBE 6X16 5933 10.9 ZN	TORNILLO 6X16 5933 10.9 ZN
18	15827070	ASS.SCIVOLO MICRO	MICRO SHUTE ASS.	GR. GLISSOIR MICRO	RUTSCHE MIKRO	CONJ. PLANO INCLINADO MICRO
19	15827240	SUPPORTO FALCIONE DR5	DR5 CUTTER SUPPORT ASS.	SUPPORT POINTE DE SOC DR5	HALTERUNG SZSCHAR DR5	CONJ. SOPORTE GUADA#ADORA DR5
19	15827250	SUPPORTO FALCIONE DR7	DR7 CUTTER SUPPORT ASS.	SUPPORT POINTE DE SOC GC7	HALTERUNG SZSCHAR DR7	CONJ. SOPORTE GUADA#ADORA DR7
20	15827190	SLITTA FALCIONE DR5	DR5 CUTTER SLIDE ASS.	GR. CHARIOT POINT DE SOC DR5	SCHLITTEN SZSCHAR DR5	CONJ. CARRO GUADA#ADORA DR5
20	15827200	SLITTA FALCIONE DR7	DR7 CUTTER SLIDE ASS.	GR. CHARIOT POINT DE SOC DR7	SCHLITTEN SZSCHAR DR7	CONJ. CARRO GUADA#ADORA DR7
21	15827120	ASS.RIGA DX.FALCIONE DR	RIGHT CUTTER LINE ASS. DR	GR. REGLE DROITE DE HACHOIR D	STAB RE SZSCHAR DR	CONJ. VARILLA DER. GUADA#ADORA
22	19203660	TAGLIENTE FALCIONE FS03 H8/15	CUTTER EDGE FS03 H8/15	COUPEUR HACHOIR FS03 H8/15	SCHARSCHNEIDE FS03 H8/15	AFIL. HOJA DE CORTE FS03 H8/15
23	19203670	TAGLIENTE FALCIONE FS03 H14/25	CUTTER EDGE FS03 H14/25	COUPEUR HACHOIR FS03 H14/25	SCHARSCHNEIDE FS03 H14/25	AFIL. HOJA DE CORTE FS03 H14/25
24	15827310	ASS.FALCIONE FASCIA 6	CUTTER STRIP 6 ASS.	GR. BRIDE 6 HACHOIR	BAND 6 SZSCHAR	CONJ. BANDA 6 GUADA#ADORA
25	43529006	DADO 8 5588 6.8	NUT 8 UNI 5588 6.8	ECROU 8 UNI 5588 6.8	MUTTER 8 UNI 5588 6.8	TUERCA 8 UNI 5588 6.8
26	19203640	PUNTALE FALCIONE A FASCIA "R"	BANDS CUTTER TIP "R"	ETRESILLON HACHOIR BANDES "R"	STsTZE SZSCHAR BsNDE "R"	PUNTAL GUA#ADORA FAJA 9 "R"
27	41605033	VITE 8 X35 5739 8.G ZN	BOLT 8X35 5739 8.G GALVANIZED	VIS 8X35 5739 8.G ZN	SCHRAUBE 8X35 5739 8.G ZN	TORNILLO 8X35 5739 8.G ZN
28	15828350	ASS.LAMIERE FALCIONE FS-03	COULTER SHEET ASS. FS-03	GR. T+LES SOC FS-03	BLECHE S-SCHAR FS-03	CONJ. CHAPAS BOTA FS-03
29	41602163	VITE 10X18 5739 8.G ZN	GALVAN. SCREW 10X18 5739 8.G	VIS 10X18 5739 8.G ZN	SCHRAUBE 10X18 5739 8.G ZN	TORNILLO 10X18 5739 8.G ZN



**BILANCIERE**

**TAV. 914/120**

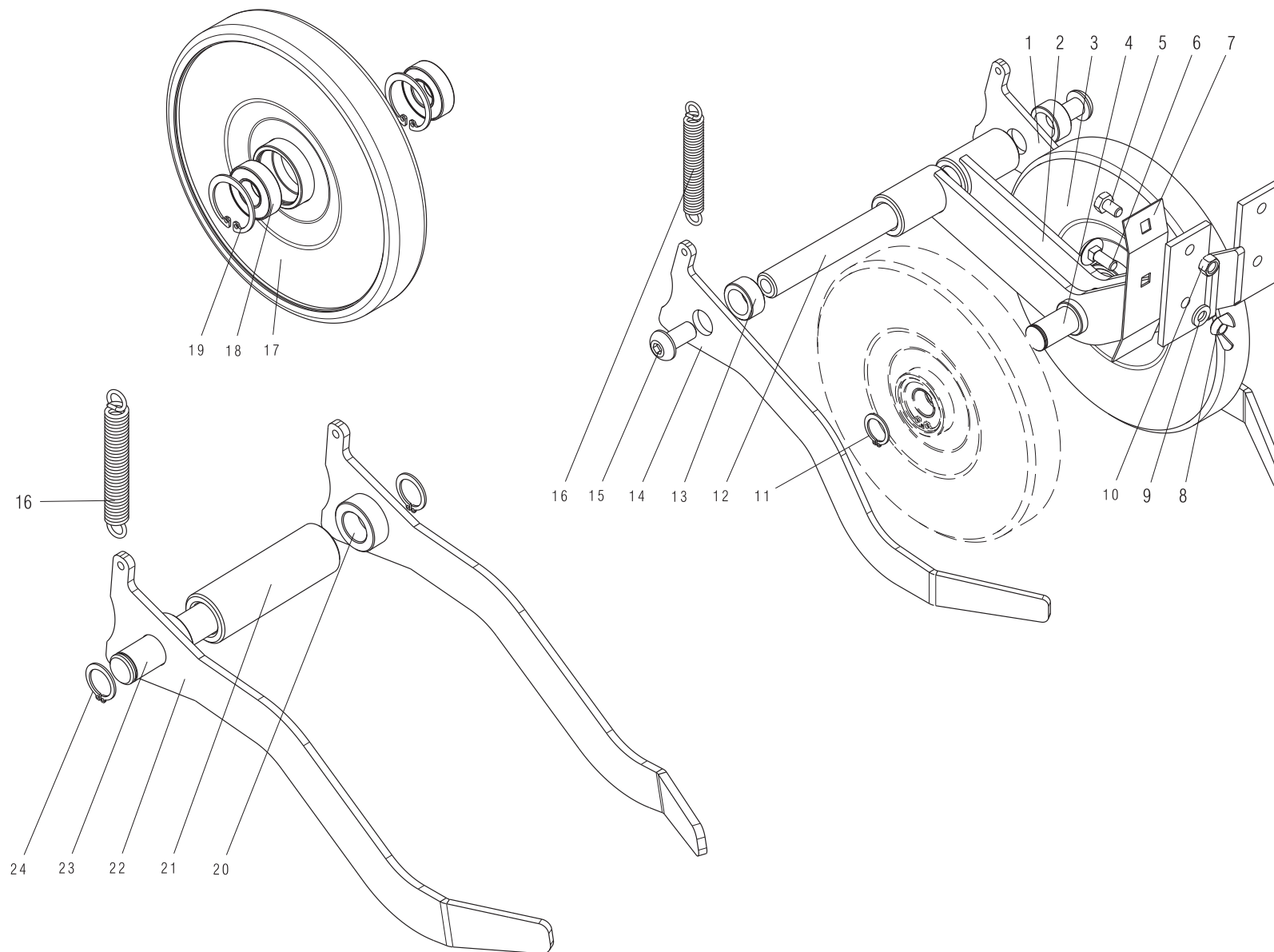
Pos.	Cod.	Descrizione	Description	Description	Benennung	Description
1	65336100	MOLLA SPEC.FERMO MANIGLIA SP	SPEC SPRING HANDLE STOP SP	RESSORT SPEC. ARRET POIGNEE SP	SPEZIALFEDER GRIFFSPERRE SP	MUELLE ESPEC. BLOQUEO MANIJA S
2	22230063	ELEMENTO ARTICOLATO	ARTICULATED ELEMENT	ELEMENT ARTICULE	ELENKELEMENT	ELEMENTO ARTICULADO
3	22230062	VITE DI REGOLAZIONE	ADJUSTMENT BOLT	VIS DE REGLAGE	EINSTELLSCHRAUBE	TORNILLO DE REGULACION S
4	22270235	MANIGLIA REGOLAZIONE B4	ADJUSTMENT HANDLE B4	POIGNEE REGLAGE B4	EINSTELLGRIFF B4	MANIJA REGULACION B4 M
5	46966096	SPINA EL.6 X24 DIN 1481	PIN EL. .6 X24 DIN 1481	FICHE EL. 6 X24 DIN 1481	SPANNSTIFT 6 X24 DIN 1481	CLAVIJA EL.6 X24 DIN 1481
6	44953006	RONDELLA D14 UNI 6592 ZN	WASHER D14 UNI 6592 GALVANIZED	RONDELLE D14 UNI 6592 ZN	UNTERLEGSCHEIBE D14 UNI 6592 Z	ARANDELA D14 UNI 6592 ZN
7	15826790	ASTINA RUOTA POST.	REAR WHEEL ROD ASS.	GR. TIGE ROUE ARRIERE	HINTERRZDER STAGE	CONJ. VARILLA RUEDAS TRASERAE
8	15829010	ASTINA RUOTA BIL.CORTO	SHORT ROCKER WHEEL ROD CUPLING	ASS. PETITE TIGE ROUE BALANCIE	RADSTABKOMPLEX KURZER TANDEMWA	CONJ. VARILLA RUEDA BALANC-N.C
9	15827920	PERNO ESCLUSIONE COPRISEME ZN	GALVAN. SEED-COVER EXCLUSION P	PIVOT EXCLUSION COUVRE-GR ZN	BOLZEN_BERBR_CKUNG SAMENABDEC	PERNO DESCONEXI-N CUBRESEMILLA
10	45963001	COPIGLIA R 2X34	SPLIT PIN R 2X34	GOUPILLE R 2X34	SPLINT R 2X34	PASADOR R 2X34
11	67008007	VOLANT.8L.PERN.M12X30-40 VPA55	8-LOBE PIN HANDWHEEL M12X30-40	VOLANT 8 LOBES PIVOT M12X30-40	HANDRAD.8L.ZAPFENM12X30-40 VPA	VOLDEL.8L.PERN.M12X30-40 VPA55
12	22270400	INSERTO MANOPOLA REGOLAZ. SP/S	ADJUSTMENT HANDLE INSERTION SP	PIECE INTERCAL. BOUT. REGL. SP	EINSATZ EINSTELLGRIFF SP/S	ENCASTRE PERILLA REGULAC. SP/S
13	15828280	ASS.PERNO BILANCIERE ZN	GALVAN. ROCKER PIN ASS.	GR. PIVOT BALANCIER ZN	BOLZEN KIPPHEBEL ZN	CONJ. PERNO BALANCN
14	52121017	ANELLO ARR.20 UNI 7435-75	STOP RING 20 UNI 7435-75	BAGUE ARRET 20 UNI 7435-75	RING 20 UNI 7435-75	ANILLO PARADA 20 UNI 7435-75
15	52121012	ANELLO ARR.15 UNI 7435-75	STOP RING 15 UNI 7435-75	BAGUE ARR.15 UNI 7435-75	RING 15 UNI 7435-75	ANILLO PARADA 15 UNI 7435-75
16	15826721	BILANCIERE ORIETTA	ROCKER ASS. ORIETTA	GR. BALANCIER ORIETTA	KIPPHEBEL ORIETTA	CONJ. BALANCN ORIETTA
17	15827480	ASSE COPRISEME	SEED-COVER AXLE	AXE COUVRE-GR.	SAMENABDECK ASCHE	CUBRESEMILLAS EJE
18	19005160	BOCCOLA FINECORSIA BILANCIERE	LIMIT SWITCH ROCKER BUSHING	DOUILLE BUTEE BALANCIE	ENDANSCHLAGSBUCHSE TANDEMWAGEN	CASQUILLO FIN DE CARRERA BALAN
19	41725001	VITE 10X20 7380 8.G ZN	GALVAN. SCREW 10X20 7380 8.G	VIS 10X20 7380 8.G ZN	SCHRAUBE 10X20 7380 8.G ZN	TORNILLO 10X20 7380 8.G ZN
20	44953505	ROND.PIANA 11X30X2,5 6593 ZN	FLAT WASHER 11X30X2-5 6593 ZN	ROND.PLADE 11X30X2-5 6593 ZN	SCHEIBE 11X30X2-5 6593 ZN	ARAND. PLANA 11X30X2-5 6593 ZN
21	15826560	ASSE RUOTA 250X100 *	WHEEL AXIS 250X100	AXE ROUE 250X100	RADACHSE 250X100	EJE RUEDA 250X100
22	15826820	RUOTA IN GOMMA 250X100	RUBBER WHEEL 250X100	ROUE EN CAOUTCHOUC 250X100	GUMMIRAD 250X100	RUEDA DE CAUCHO 250X100
23	41605041	VITE 10X25 5739 8.G ZN	BOLT 10X25 5739 8.G GALVANIZED	VIS 10X25 5739 8.G ZN	SCHRAUBE 10X25 5739 8.G ZN	TORNILLO 10X25 5739 8.G ZN
24	43530007	DADO 10 5588 6.8 ZN	SCREW 10 UNI 5588 6.8 GALVANIZ	ECROU 10 UNI 5588 6.8 ZN	MUTTER 10 UNI 5588 6.8 ZN	TUERCA 10 UNI 5588 6.8 ZN
25	10525830	SPIANATERRA	SOIL LEVELLER	NIVELEUSE	ERDEBNER	NIVELADORA
26	41605012	VITE 6 X10 5739 8.G ZN	BOLT 6X10 5739 8.G GALVANIZED	VIS 6X10 5739 8.G ZN	SCHRAUBE 6X10 5739 8.G ZN	TORNILLO 6X10 5739 8.G ZN
27	43530004	DADO 6 5588 6.8 ZN	NUT 6 UNI 5588 6.8 GALVANIZED	ECROU 6 UNI 5588 6.8 ZN	MUTTER 6 UNI 5588 6.8 ZN	TUERCA 6 UNI 5588 6.8 ZN
28	41182011	VITE 6 X30 5732 4.6 ZN	BOLT 6X30 5732 4.6 GALVANIZED	VIS 6X30 5732 4.6 ZN	SCHRAUBE 6X30 5732 4.6 ZN	TORNILLO 6X30 5732 4.6 ZN
29	15826740	RASCHIATERRA SEM.R13	SOIL-SCRAPER SEM.R13	RACLEUR SEM.R13	ERDSCHABER SEM.R13	RASCADOR TIERRA SEM.R13
30	44957004	RONDELLA D6 DIN 6798 D.INT.ZN	WASHER D6 DIN 6798 D.INT.GALV.	RONDELLE D6 DIN 6798 D. INT. Z	UNT. SCHEIBE D6 DIN 6798 D. IN	ARANDELA D6 DIN 6798 D.INT.ZN
31	43440004	DADO 6 5448 5.8 ZN	NUT 6 UNI 5448 5.8 ZN	ECROU 6 UNI 5448 5.8 ZN	MUTTER 6 UNI 5448 5.8 ZN	TUERCA 6 UNI 5448 5.8 ZN
32	15823621	RUOTA INOX D.254 SEM."R"	INOX D.254 SEM."R" WHEEL AXIS	AXE ROUE INOX D.254 SEM."R"	RADACHSE INOX D.254 SEM."R"	EJE RUEDA INOX D.254 SEM."R"
33	51104405	CUSCINETTO 6004 2RS	BEARING 6004 2RS	PALIER 6004 2RS	LAGER 6004 2RS	COJINETE 6004 2RS
34	19005080	DISTANZIALE RUOTE INOX R	INOX R WHEEL SPACER	ENTRETOISE ROUE INOX R	DISTANZSTsCK RAD INOX R	DISTANCIADOR RUEDA INOX R
35	15828730	RASCHIATERRA RUOTA V GOMMA	RUBBER V WHEEL SOIL-SCRAPER	RACLEUR ROUE CAOUTCHOUC V	ERDSCHABER GUMMIRAD V	RASCADOR RUEDA CAUCHO V
36	44957006	RONDELLA D8 DIN 6798 D.INT.ZN	WASHER D8 DIN 6798 D.INT.ZN	RONDELLE D8 DIN 6798 D. INT. Z	UNT. SCHEIBE D8 DIN 6798 D. IN	ARANDELA D8 DIN 6798 D.INT.ZN
37	44953003	RONDELLA D8 UNI 6592 ZN	WASHER D8 UNI 6592 GALVANIZED	RONDELLE D8 UNI 6592 ZN	UNTERLEGSCHEIBE D8 UNI 6592 ZN	ARANDELA D8 UNI 6592 ZN
38	41605031	VITE 8 X25 5739 8.G ZN	BOLT 8X25 5739 8.G GALVANIZED	VIS 8X25 5739 8.G ZN	SCHRAUBE 8X25 5739 8.G ZN	TORNILLO 8X25 5739 8.G ZN
39	15828690	ASTINA RUOTA POST.V	REAR WHEEL ROD ASS. V	GR. TIGE ROUE ARRIERE V	HINTERRZDER STAGE V	CONJ. VARILLA RUEDAS TRASERAE S
40	15828680	RUOTA POST.290X80 SEM.V COMPL.	290X80 SEM.V REAR WHEEL FITTING	MONT. ROUE POSTERIEURE 290X80	MONT. HINTERES RAD 290X80 SEM.	MONT. RUEDA TRASERA 290X80 SEM
41	15827010	RUOTA IN GRIGLIA SEM R13	SEM R13 GRID WHEEL ASS.	GR. ROUE A GRILLE SEM R13	RAD AUS GITTER SEM R13	CONJ. RUEDA EN REJILLA SEM R13
42	15828460	RUOTA GOMMA RIGIDA	SOLIDE RUBBER WHEEL COUPLING	ASS. ROUE GOMME RIGIDE	HARTGUMMIRADKOMPLEX	CONJ. RUEDA GOMA. R-GIDA



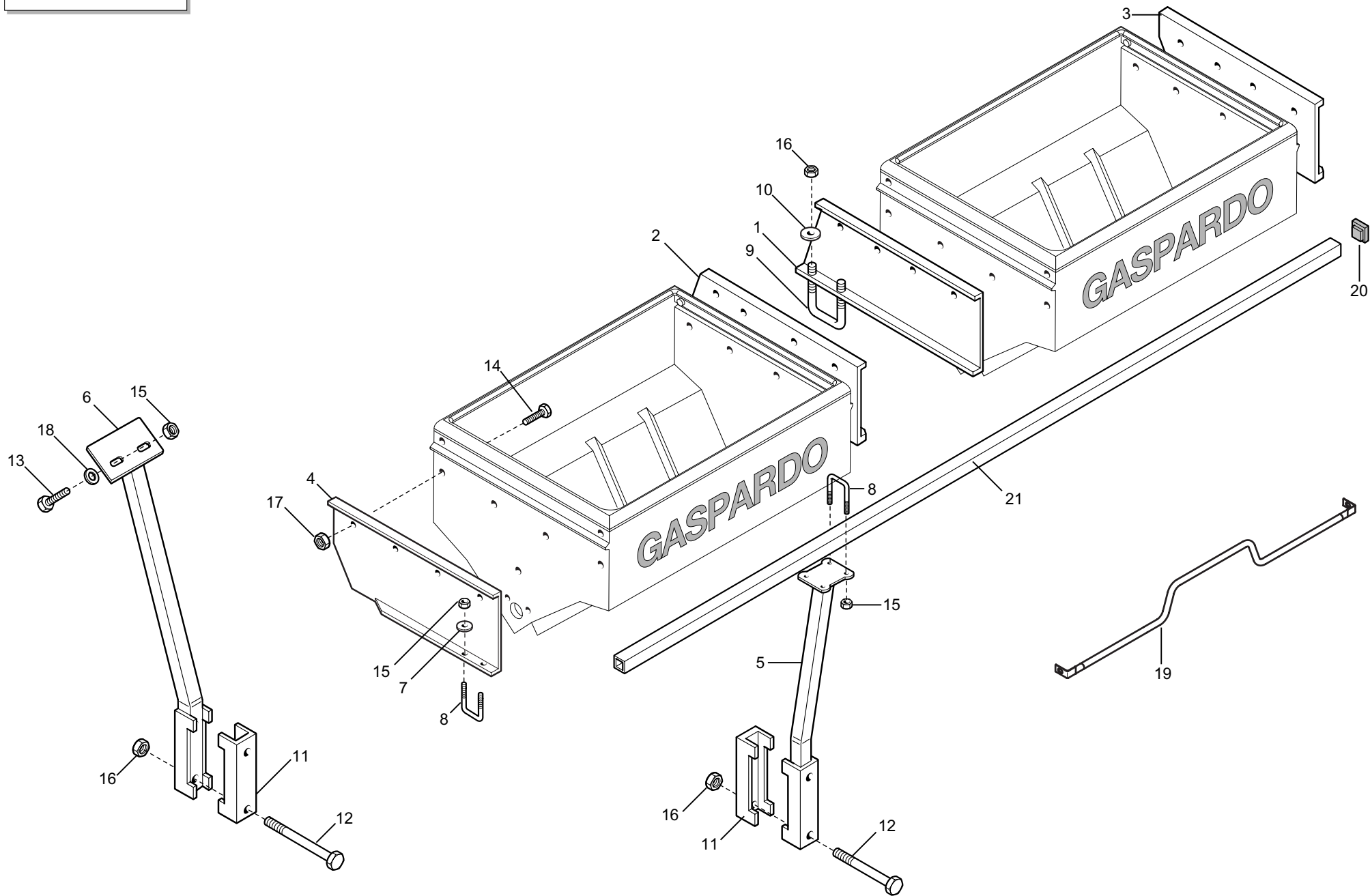
# RUOTINI DI COMPRESSIONE

TAV. 914/130

Pos.	Cod.	Descrizione	Description	Description	Benennung	Descripcion
1	15825251	SUPP.RUOTINO PREMISEME FS	STRIP SEED PRESS WHEEL SUPPORT	ASS. SUPPORT ROUET RECOUVREUR	SAMENANDRUCKROLLENHALTERUNGSKO	CONJ.. SOPORTE RODILLO PRENSA
2	41182011	VITE 6 X30 5732 4.6 ZN	BOLT 6X30 5732 4.6 GALVANIZED	VIS 6X30 5732 4.6 ZN	SCHRAUBE 6X30 5732 4.6 ZN	TORNILLO 6X30 5732 4.6 ZN
3	15828440	RASCHIATERRA RUOTINI FS	WHEEL SOIL-SCRAPER FS	RACLEUR ROUE FS	ERDSCHABER FS	RASCADOR RUEDA FS
4	43440004	DADO 6 5448 5.8 ZN	NUT 6 UNI 5448 5.8 ZN	ECROU 6 UNI 5448 5.8 ZN	MUTTER 6 UNI 5448 5.8 ZN	TUERCA 6 UNI 5448 5.8 ZN
5	19004530	VOLANTINO PRESSORE (SEM.ORT.R)	HANDWHEEL	VOLANT	HANDRAD	VOLANTE
6	66248100	RULLO TEND. SP	TIGHTENER ROLLER SP	ROULEAU TENDEUR SP	SPANNERROLLE SP	RODILLO TENSOR SP
7	19004560	BOCCOLA MOLLA PRESSORE	SPRING BUSHING	RESSORT	FEDER	CASQUILLO MUELLE
8	18903670	MOLLA COMPRESSIONE RUOTINO	COMPR. WHEEL SPRING	RESSORT COMPRESSION ROUET	FEDER DsNGUNG ROLLE	MUELLE COMPRESIN RUEDECILLA A
9	18902520	MOLLA TRAZ.ZN RASCHIATERRA	GALVAN. SOIL SCRAPER TRAC.SPRI	RESSORT TRACT. ZN RACLEUR	ZUGFEDER ZN ERDSCHABER	MUELLE TRACC. RASCADOR TIERRA
10	41724073	VITE 8X20 5933 8.G ZN.	SCREW 8X20 5933 8.G ZN.	VIS 8X20 5933 8.G ZN.	SCHRAUBE 8X20 5933 8.G ZN.	TORNILLO 8X20 5933 8.G ZN.
11	47969001	INGRASS.A SFERE M6X1/A	SPHERE NIPPLE M6X1/A	GRAISSEUR A BILLES M6X1/A	KUGELFETTBSCHSE M6X1/A	ENGRAS. DE ESFERAS M6X1/A
12	44953002	RONDELLA D6 UNI 6592 ZN	WASHER D6 UNI 6592 GALVANIZED	RONDELLE D6 UNI 6592 ZN	UNTERLEGSSCHEIBE D6 UNI 6592 ZN	ARANDELA D6 UNI 6592 ZN
13	15828810	ASS.COPRISEME A FASCIA DX. R	RIGHT BAND SEED-COVER ASS. R	GR. COUVRE-GR. DROITE BANDES R	SANENABDECK RE BsNDE R	CONJ. CUBRESEMILLAS DER. BANDA
14	15828151	STELO PRESSORE RUOT.FASCIA	STRIP WHEEL PRESSURE STEM ASS.	GR. TIGE ROUE BRIDE	SCHAFT RAD BAND	CONJ. VµSTAGO RUEDA BANDA
15	45963004	COPIGLIA R 3X62	SPLIT PIN R 3X62	GOUPILLE R 3X62	SPLINT R 3X62	CHAVETA R 3X62
16	15826010	BRACCIO PREMISEME FASCIA	STRIP SEED PRESS ARM COUPLING	ASS. BRAS ROUE INTERMEDIAIRE P	SAMENANDRUCKARMB_GELKOMPLEX	CONJ. PRENSA SEMILLAS FAJA
17	41605012	VITE 6 X10 5739 8.G ZN	BOLT 6X10 5739 8.G GALVANIZED	VIS 6X10 5739 8.G ZN	SCHRAUBE 6X10 5739 8.G ZN	TORNILLO 6X10 5739 8.G ZN
18	41182011	VITE 6 X30 5732 4.6 ZN	BOLT 6X30 5732 4.6 GALVANIZED	VIS 6X30 5732 4.6 ZN	SCHRAUBE 6X30 5732 4.6 ZN	TORNILLO 6X30 5732 4.6 ZN
19	43530004	DADO 6 5588 6.8 ZN	NUT 6 UNI 5588 6.8 GALVANIZED	ECROU 6 UNI 5588 6.8 ZN	MUTTER 6 UNI 5588 6.8 ZN	TUERCA 6 UNI 5588 6.8 ZN
20	43440004	DADO 6 5448 5.8 ZN	NUT 6 UNI 5448 5.8 ZN	ECROU 6 UNI 5448 5.8 ZN	MUTTER 6 UNI 5448 5.8 ZN	TUERCA 6 UNI 5448 5.8 ZN
21	44957004	RONDELLA D6 DIN 6798 D.INT.ZN	WASHER D6 DIN 6798 D.INT.GALV.	RONDELLE D6 DIN 6798 D. INT. Z	UNT. SCHEIBE D6 DIN 6798 D. IN	ARANDELA D6 DIN 6798 D.INT.ZN
22	22250178	RASCHIATERRA RUOTINO LARGO SV	WIDE WHEEL SOIL-SCRAPER SV	RACLEUR ROUET LARGE SV	ERDSCHABER BREITE ROLLE SV	RASCADOR RUEDECILLA LARGA SV
23	15823650	RUOTINO FASCIA SEM."R"COMPL.	SEM."R" STRIP WHEEL AXIS FITTI	MONT. AXE ROUE BRIDE SEM."R"	MONT. RADACHSE BAND SEM."R"	MONT. EJE RUEDA BANDA SEM."R"
24	15828830	ASS.ASSE RUOTINO A FASCIA	SEM."R" BANDS WHEEL AXIS ASS.	GR. AXE ROUE BANDES SEM."R"	RADACHSE BsNDE SEM."R"	CONJ. EJE RUEDA FAJA SEM."R"
25	15828800	ASS.COPRISEME A FASCIA SX. R	LEFT BANDS COVER-SEED ASS. R	GR. COUVRE-GR. GAUCHE BANDES R	SANENABDECK LI BsNDE R	CONJ. CUBRESEMILLAS IZQ. BANDA
26	52121012	ANELLO ARR.15 UNI 7435-75	STOP RING 15 UNI 7435-75	BAGUE ARR.15 UNI 7435-75	RING 15 UNI 7435-75	ANILLO PARADA 15 UNI 7435-75
27	15827480	ASSE COPRISEME	SEED-COVER AXLE	AXE COUVRE-GR.	SAMENABDECK ASCHE	CUBRESEMILLAS EJE
28	15825270	DISTANZIALE RUOTINI	WHEEL SPACER	ENTRETOISE ROUE	DISTANZSTsCK RAD	DISTANCIADOR RUEDA
29	56345030	RUOTINO FLEX 170 X 30	FLEX WHEEL 170 X 30	ROUET FLEX 170 X 30	ROLLE FLEX 170 X 30	RUEDECILLA FLEX 170 X 30
30	15828740	ASS.ASSE RUOTINO	WHEEL AXIS ASS.	GR. AXE ROUE	RADACHSE	CONJ. EJE RUEDA
31	19004960	SPESSORE RUOTINO	WHEEL SHIMS	CALE ROUE	ZWISCHRAD	ESPACIADOR DE RUEDA
32	15823640	RUOTINO FS INOX SEM "R"COMPL.	FS INOX SEM "R" WHEEL FITTING	MONT. ROUE FS INOX SEM "R"	MONT. RAD FS INOX SEM "R"	MONT. RUEDA FS INOX SEM "R"
33	15827491	STELO PRESSORE R	PRESSURE STEM ASS.	GR. TIGE	SCHAFT	CONJ. VµSTAGO
34	15827450	ASS.COPRISEME SX R13	R13 LEFT COVER-SEED ASS.	GR. COUVRE-GR. GAUCHE R13	SANENABDECK LI R13	CONJ. CUBRESEMILLAS IZQ. R13
35	15827470	ASS.COPRISEME DX.R13	R13 RIGHT COVER-SEED ASS.	GR. COUVRE-GR. DROITE R13	SANENABDECK RE R13	CONJ. CUBRESEMILLAS DER. R13



Pos.	Cod.	Descrizione	Description	Description	Benennung	Descripcion
1	15828890	BRACCIO COPRISEME DR DX.	DR RIGHT ARM COVER-SEED	BRAS COUVRE-GR. DROITE DR	SAMENABDECK ARM RE DR	BRAZO CUBRESEMILLAS DER. DR
2	15825440	BRACCIO DX.PREMISEME DR	DR RIGHT-SIDE SEED PRESS ARM C	ASS. BRAS DROIT ROUE INTERMEDI	ARMKOMPLEX RECHTS SAMENANDR_CK	CONJ. BRAZO DX PRENSASEMILLAS
3	15823640	RUOTINO FS INOX SEM "R"COMPL.	FS INOX SEM "R" WHEEL FITTING	MONT. ROUE FS INOX SEM "R"	MONT. RAD FS INOX SEM "R"	MONT. RUEDA FS INOX SEM "R"
4	15825430	BRACCIO SX.PREMISEME DR	DR LEFT-SIDE SEED PRESS ARM CO	ASS. BRAS GAUCHE ROUE INTERMED	ARMKOMPLEX LINKS SAMENANDR_CKE	CONJ. BRAZO SX PRENSASEMILLAS
5	41605012	VITE 6 X10 5739 8.G ZN	BOLT 6X10 5739 8.G GALVANIZED	VIS 6X10 5739 8.G ZN	SCHRAUBE 6X10 5739 8.G ZN	TORNILLO 6X10 5739 8.G ZN
6	41182011	VITE 6 X30 5732 4.6 ZN	BOLT 6X30 5732 4.6 GALVANIZED	VIS 6X30 5732 4.6 ZN	SCHRAUBE 6X30 5732 4.6 ZN	TORNILLO 6X30 5732 4.6 ZN
7	22230272	RASCHIATERRA RUOTA PRESS.	PRESSURE WHEEL SOIL-SCRAPER	RACLEUR ROUE DE TASSEMENT	ERDSCHABER DRUCKROLLE	RASCADOR TIERRA RUEDA PRES.
8	43440004	DADO 6 5448 5.8 ZN	NUT 6 UNI 5448 5.8 ZN	ECROU 6 UNI 5448 5.8 ZN	MUTTER 6 UNI 5448 5.8 ZN	TUERCA 6 UNI 5448 5.8 ZN
9	44957004	RONDELLA D6 DIN 6798 D.INT.ZN	WASHER D6 DIN 6798 D.INT.GALV.	RONDELLE D6 DIN 6798 D. INT. Z	UNT. SCHEIBE D6 DIN 6798 D. IN	ARANDELA D6 DIN 6798 D.INT.ZN
10	43530004	DADO 6 5588 6.8 ZN	NUT 6 UNI 5588 6.8 GALVANIZED	ECROU 6 UNI 5588 6.8 ZN	MUTTER 6 UNI 5588 6.8 ZN	TUERCA 6 UNI 5588 6.8 ZN
11	52121012	ANELLO ARR.15 UNI 7435-75	STOP RING 15 UNI 7435-75	BAGUE ARR.15 UNI 7435-75	RING 15 UNI 7435-75	ANILLO PARADA 15 UNI 7435-75
12	15828870	PERNO RUOTINO DR ZN	DR GALVAN. WHEEL PIN	PIVOT ROUE DR ZN	BOLZEN RAD DR ZN	PERNO RUEDA DR ZN
13	20980078	BOCCOLA D.15,25X22X10 ZN	BUSHING D.15-25X22X10 ZN	BOITE D. 15-25X22X10 ZN	BsCHSE D.15-25X22X10 ZN	CASQUILLO D.15-25X22X10 ZN
14	15828880	BRACCIO COPRISEME DR SX.	DR LEFT ARM COVER-SEED	BRAS COUVRE-GR. GAUCHE DR	SAMENABDECK ARM LI DR	BRAZO CUBRESEMILLAS IZQ. DR
15	41725003	VITE 10X25 7380 8.G ZN	GALVAN. SCREW 10X25 7380 8.G	VIS 10X25 7380 8.G ZN	SCHRAUBE 10X25 7380 8.G ZN	TORNILLO 10X25 7380 8.G ZN
16	18902520	MOLLA TRAZ.ZN RASCHIATERRA	GALVAN. SOIL SCRAPER TRAC.SPRI	RESSORT TRACT. ZN RACLEUR	ZUGFEDER ZN ERDSCHABER	MUELLE TRACC. RASCADOR TIERRA
17	15828920	RUOTA GOMMA RIGIDA COMPL.	SOLID RUBBER WHEEL	MONT. ROUE GOMME RIGIDE	HARTGUMMIRADMONTAGE	MONTAJE RUEDA GOMA R-GIDA
18	51104402	CUSCINETTO 6002 2RS1	BEARING 6002 2RS1	PALIER 6002 2RS1	LAGER 6002 2RS1	COJINETE 6002 2RS1
19	52122025	ANELLO ARR.32 UNI 7437-75	STOP RING 32 UNI 7435-75	BAGUE ARRET 32 UNI 7435-75	RING 32 UNI 7435-75	ANILLO PARADA 32 UNI 7435-75
20	15827470	ASS.COPRISEME DX.R13	R13 RIGHT COVER-SEED ASS.	GR. COUVRE-GR. DROITE R13	SANENABDECK RE R13	CONJ. CUBRESEMILLAS DER. R13
21	15828050	DISTANZIALE COPRISEME	COVER-SEED SPACER	ENTRETOISE COUVRE-GR.	DISTANZSTsCK SAMENABDECK	DISTANCIADOR CUBRESEMILLAS
22	15827450	ASS.COPRISEME SX R13	R13 LEFT COVER-SEED ASS.	GR. COUVRE-GR. GAUCHE R13	SANENABDECK LI R13	CONJ. CUBRESEMILLAS IZQ. R13
23	15827480	ASSE COPRISEME	SEED-COVER AXLE	AXE COUVRE-GR.	SAMENABDECK ASCHE	CUBRESEMILLAS EJE
24	52121012	ANELLO ARR.15 UNI 7435-75	STOP RING 15 UNI 7435-75	BAGUE ARR.15 UNI 7435-75	RING 15 UNI 7435-75	ANILLO PARADA 15 UNI 7435-75

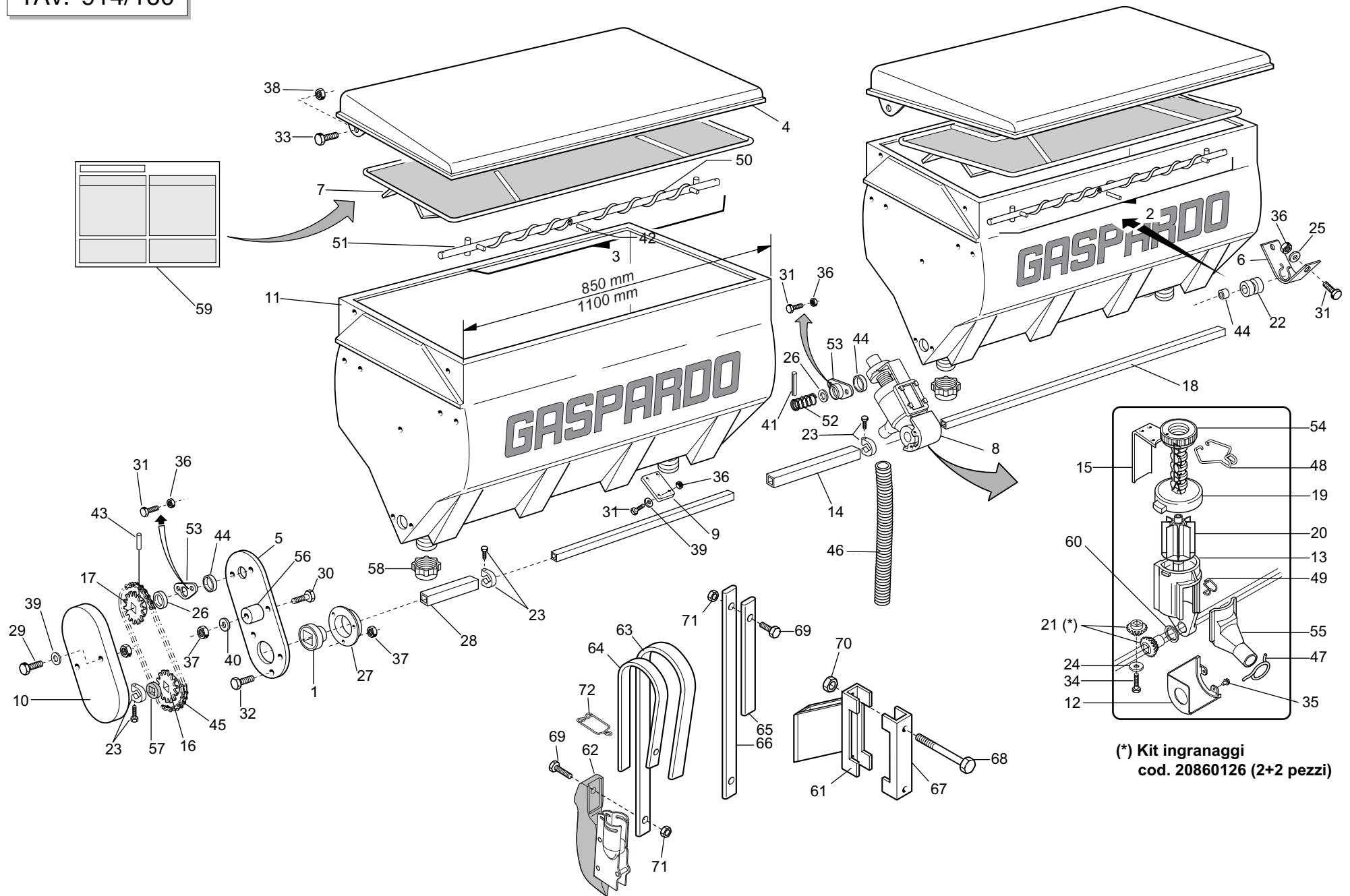




# SUPPORTI SPANDICONCIME IN PLASTICA

TAV. 914/150

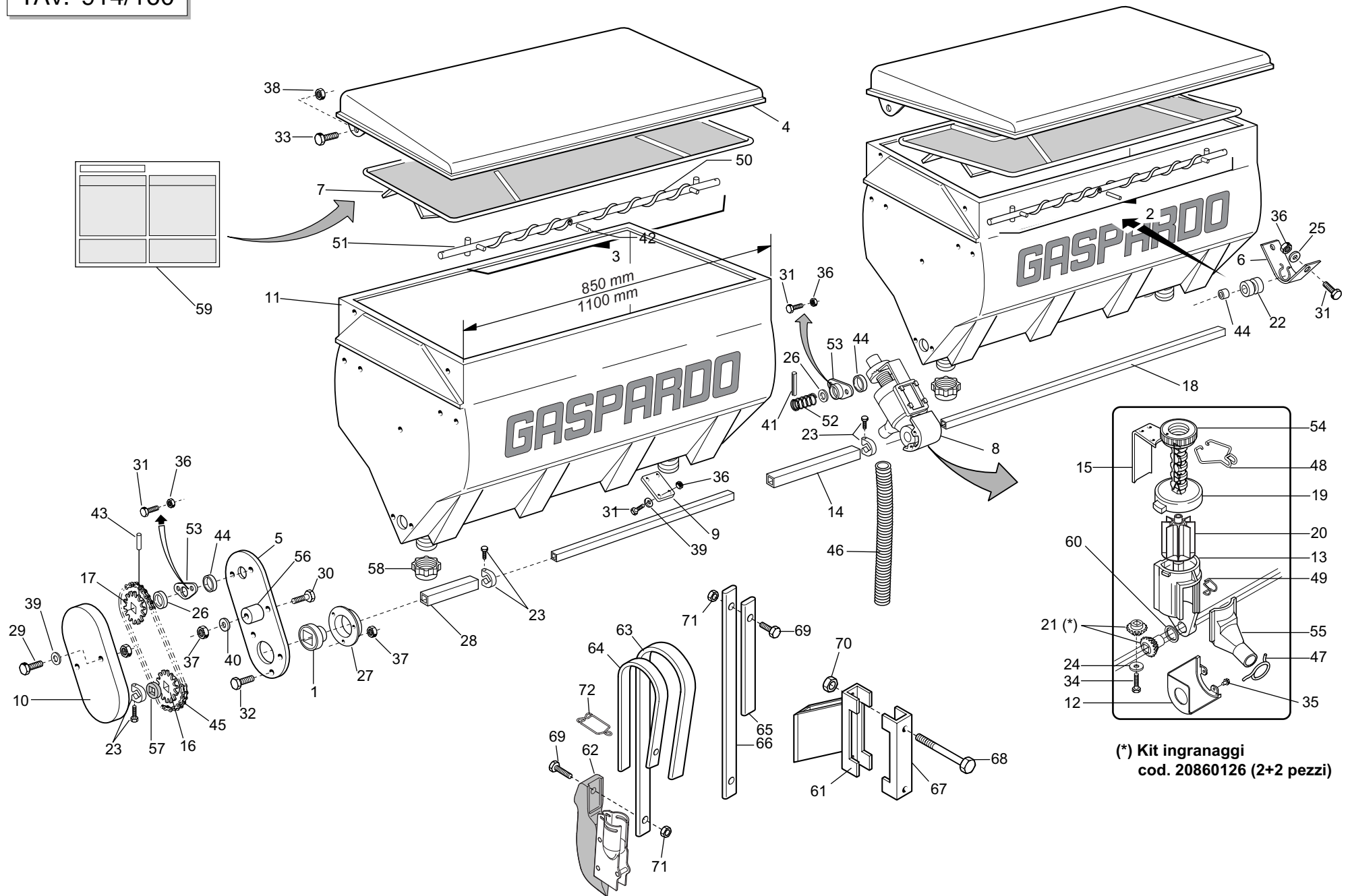
Pos.	Cod.	Descrizione	Description	Description	Benennung	Descrpcion
1	15470631	SUPPORTO SPANDI CENTRALE DX	RH CENTRAL FERT.SPREADER SUPP.	SUPPORT EPANDEUR CENTR.DRT.	HALTER. MITTL.DsNGERSTR. RE	SOPORTE ABONAD. CENTRAL DER.
2	15470641	SUPPORTO SPANDI CENTRALE SX	LH CENTRAL FERT.SPREADER SUPP.	SUPPORT EPANDEUR CENTR.GCH.	HALTER. MITTL.DsNGERSTR. LI	SOPORTE ABONAD. CENTRAL IZQ.
3	15171380	SUPPORTO ESTERNO SPANDI DX	MAN.SPR. EXT. RIGHT SUPPORT	SUPPORT EXT. DRT. EP. ENGRAIS	RECHTE ZUSSERE HALTER.DsNGERST	SOPORTE EXT.DER. ABONADORA .
4	15171390	SUPPORTO ESTERNO SPANDI SX	MAN.SPR.EXT.LEFT SUPPORT	SUPPORT EXT. GCH. EP. ENGRAIS	LINKER ZUSSERE HALTER.DsNGERST	SOPORTE EXTERIOR IZQ.ABONADORA
5	16670011	SUPPORTO SPANDI	SPREADER SUPPORT	SUPPORT +PANDEUR	HALTERUNG SPANDI	SOPORTE ABONADORA
5	15472901	SUPPORTO SPANDI Q.150	SQ. FERTILIZER SPREADER SUPPOR	SUPPORT +PANDEUR CARR+ 150	HALTERUNG SPANDI Q.150	SOPORTE ABONADORA Q.150
6	15473251	SUPPORTO ANT.SPANDI	FRONT FERTILIZER SPREADER SUPP	SUPPORT AVANT +PANDEUR	VORD.HALTERUNG SPANDI	SOPORTE ANT.ABONADORA
7	18701140	RONDELLA 11 X35 X5	WASHER 11 X 35 X 5	RONDELLE 11 X35 X5	UNTERLEGSSCHEIBE 11 X35 X5	ARANDELA 11 X35 X5
8	22250272	CAVALLOTTO SUPP.DISCO SV	DISK SUPPORT.ELEMENT U BOLT SV	CAVALIER SUPPORT DISQUE SV	VERBINDUNG SCHEIBENHALTERUNG S	PERNO EN U SOP. DISCO SV
9	22500068	CAVALLOTTO M 14	M 14 U BOLT	CAVALIER M 14	VERBINDUNG M 14	PERNO EN U M 14
10	18700690	RONDELLA 15 X40 X6 ZN	WASHER 15 X 40 X 6 ZN	RONDELLE 15 X40 X6 ZN	UNTERLEGSSCHEIBE 15 X40 X6 ZN	ARANDELA 15 X40 X6 ZN
11	18700690	RONDELLA 15 X40 X6 ZN	WASHER 15 X 40 X 6 ZN	RONDELLE 15 X40 X6 ZN	UNTERLEGSSCHEIBE 15 X40 X6 ZN	ARANDELA 15 X40 X6 ZN
12	41602101	VITE 14X160 5737 8.G ZN	BOLT 14X160 5737 8.G GALVANIZ	VIS 14X160 5737 8.G ZN	SCHRAUBE 14X160 5737 8.G ZN	TORNILLO 14X160 5737 8.G ZN
13	41605041	VITE 10X25 5739 8.G ZN	BOLT 10X25 5739 8.G GALVANIZED	VIS 10X25 5739 8.G ZN	SCHRAUBE 10X25 5739 8.G ZN	TORNILLO 10X25 5739 8.G ZN
14	41605043	VITE 10X35 5739 8.G ZN	BOLT 10X35 5739 8.G GALVANIZED	VIS 10X35 5739 8.G ZN	SCHRAUBE 10X35 5739 8.G ZN	TORNILLO 10X35 5739 8.G ZN
15	43530007	DADO 10 5588 6.8 ZN	SCREW 10 UNI 5588 6.8 GALVANIZ	ECROU 10 UNI 5588 6.8 ZN	MUTTER 10 UNI 5588 6.8 ZN	TUERCA 10 UNI 5588 6.8 ZN
16	43530009	DADO 14 5588 6.8 ZN	NUT 14 UNI 5588 6.8 GALVANIZED	ECROU 14 UNI 5588 6.8 ZN	MUTTER 14 UNI 5588 6.8 ZN	TUERCA 14 UNI 5588 6.8 ZN
17	43549003	DADO TRISTOP M10	NUT TRISTOP M10	ECROU TRISTOP M10	MUTTER TRISTOP M10	TUERCA TRISTOP M10
18	44953505	ROND.PIANA 11X30X2,5 6593 ZN	FLAT WASHER 11X30X2-5 6593 ZN	ROND.PLATE 11X30X2-5 6593 ZN	SCHEIBE 11X30X2-5 6593 ZN	ARAND. PLANA 11X30X2-5 6593 ZN
19	15272961	RINFORZO SPANDICONCIME 1100	FERTILIZER 1100 REINFORCEMENT	0	0	REFUERZO ABONADORA 1100
19	15273180	RINFORZO SPANDICONCIME 850	FERTILIZER 850 REINFORCEMENT	RENFORT EPANDEUR D'ENGRAIS 850	VERSTZRKUNG DsNGERSTREUER 850	REFUERZO ABONADORA 850
20	67008044	PUNTALE Q.35 NERO	TIP Q.35 BLACK	EXTREMITÉ Q. 35 NOIRE	STTSSELSCHAFT Q.35 SCHWARZ	PUNTAL Q.35 NEGRO
21	07000028	TUBO Q.35 X4 X2980	SQUARE PIPE 35 X 35 X 3 X 2980	TUBE CARRE 35 X 35 X 3 X 2980	VIERKANTROHR 35 X 35 X 3 X 298	TUBO CUADRADO 35 X 35 X 3 X 29
21	070000370	TUBO Q.35 X3 X3980	SQUARE PIPE 35X35X4X3980	TUBE CARRE 35X35X4X3980	VIERKANTROHR 35X35X4X3980	TUBO CUADRADO 35X35X4X3980
21	070000375	TUBO Q.35 X3 X1600	SQUARE PIPE 35X35X4X1600	TUBE CARRE 35X35X4X1600	VIERKANTROHR 35X35X4X1600	TUBO CUADRADO 35X35X4X1600
21	15472970	TUBO Q.35 X4 X1200	SQUARE PIPE 35 X4 X1200	TUBE CARRE 35 X4 X1200	VIERKANTROHR 35 X4 X1200	TUBO CUADRADO 35 X4 X1200
21	15472980	TUBO Q.35 X4 X750	SQUARE PIPE 35 X4 X750	TUBE CARRE 35 X4 X750	VIERKANTROHR 35 X4 X750	TUBO CUADRADO 35 X4 X750
21	15472990	TUBO Q.35 X4 X600	SQUARE PIPE 35 X4 X600	TUBE CARRE 35 X4 X600	VIERKANTROHR 35 X4 X600	TUBO CUADRADO 35 X4 X600
21	15475130	TUBO SUPPORTO SERBATOIO L.2480	TANK SUPPORT PIPE L.2480	TUBE SUPPORT RESERVOIR L2460	ROHR HALTERUNG BEHZLTER L.2480	TUBO SOPORTE DEPSITO L 2480 T
21	15475300	TUBO SUPPORTO MICRO L.1170	MICRO SUPPORT PIPE L.1170	TUBE SUPPORT MICRO L1170	ROHR HALTERUNG MIKRO L.1170	TUBO SOPORTE MICRO L1170
21	15475390	TUBO SUPPORTO MICRO L.3100	MICRO SUPPORT PIPE L.3100	TUBE SUPPORT MICRO L3100	ROHR HALTERUNG MIKRO L.3100	TUBO SOPORTE MICRO L.3100
21	15475400	TUBO SUPPORTO MICRO L.5800	MICRO SUPPORT PIPE L.3800	TUBE SUPPORT MICRO L5800	ROHR HALTERUNG MIKRO L.5800	TUBO SOPORTE MICRO L.5800
21	15475540	TUBO SUPPORTO MICRO L.5100	MICRO SUPPORT PIPE L.5100	TUBE SUPPORT MICRO L5100	ROHR HALTERUNG MIKRO L.5100	TUBO SOPORTE MICRO L 51000
21	20890207	BARRA DIFFUSORI DISERBO L.1400	WEEDKILLER SPREADER BAR L.1400	BARRE DIFFUSEURS DESHERBAGE L.	DIFFUSORENSTANGE UNKRAUTVERT.	BARRA DIFUSORES HERBICIDA L.1
21	22220141	BRACCIO SCORREVOLE 4 FILE	SLIDING ARM- 4-ROW	BRAS GLISSANT 4 RANGEES	GLEITARM 4 REIHEN	BRAZO CORREDIZO 4 FILAS
21	22270115	BRACC.SCORR.6F.100 L.2000 SP	SLIDING ARM 6-R. 100 L.2000 SP	BRAS GLISS. 6 RANG. 100 L. 200	GLEITARM 6R.100 L.2000 SP	BRAZO CORRED. 6 FILAS. 100 L.2



# SPANDICONCIME IN PLASTICA

TAV. 914/160

Pos.	Cod.	Descrizione	Description	Description	Benennung	Descripcion
1	14830390	CUSCINETTO FORO QUADRO	SQUARE-HOLED BEARING	ROULEMENT AL+SAGE CARR+	VIERKANTLAGER	COJINETE ORIFICIO CUADRADO
2	15271540	ASSE AGITATORE DX 1100	STIRRER SPINDLE-RIGHT 1100 TAN	AXE AGITATEUR DRT.RESERV.1100	SAMENMISCHERACHSE RE BEH.1100	EJE AGITAD.DER.DEPS.1100 COM A
2	20860121	ASSE AGITAT.DX SERB.850 COMPL.	STIRRER SPINDLE- RIGHT 850 TAN	AXE AGITATEUR DRT. RESERVOIR 8	SAMENMISCHERACHSE RE BEH.850	EJE AGITAD. DER. DEPS.850 COMA
3	15271550	ASSE AGITATORE SX 1100	STIRRER SPINDLE- LEFT 1100	AXE AGITATEUR GCH. 1100	SAMENMISCHERACHSE LINKER 1100	EJE AGITAD. IZQ. 1100
3	20860122	ASSE AGITAT.SX SERB.850 COMPL.	STIRRER SPINDLE- LEFT 850 TANK	AXE AGITATEUR GCH. RESERVOIR 8	SAMENMISCHERACHSE LI BEH.850	EJE AGITAD. IZQ. DEPS. 850 COA
4	15470580	COPERCHIO SERBATOIO 850	TANK TOP 850	COUVERCLE RESERVOIR 650	BEHZLTERDECKEL 850	TAPA DEPSITO 850 A
4	15471920	COPERCHIO SERBATOIO L.1100	TANK COVER L.1100	COUVERCLE RESERVOIR L.1100	BEHZLTERDECKEL L.1100	TAPA DEPS.L.1100 A
5	15471930	PROTEZIONE	GUARD	PROTECTION	SCHUTZ	PROTECCIN P
6	15471990	SUPPORTO COCLEA	SCREW SUPPORT	SUPPORT VIS ALIMENTATION	HALTERUNG SCHNECKE	SOPORTE CCLEA S
7	15472760	GRIGLIA SERBATOIO PLASTICA 850	PLASTIC TANK GRID 850	GRILLE RESERVOIR PLASTIQUE 850	BEHZLTERGITTER PLAST.850	REJILLA DEPSITO PLAST.850 G
7	15473130	GRIGLIA SERBATOIO 1100 PLAST.	PLASTIC TANK GRID 1100	GRILLE RESERVOIR PLAST.1100	BEHZLTERGITTER PLAST.1100	REJILLA DEPSITO PLAST.1100 G
8	15472770	DISTR.COMPL.8PALE SPANDI PL	COMPL.PLAS.FERTIL.DISTR.8RIBS	MINIMAX COMPL 8C PLA	KOMPL.DOSIER.PLA.DÜNGERSTR.8S	DISTR.COMP.ABONO PLAST. 8AL.
9	15472780	TAPPO SPANDI PLASTICA	PLASTIC FERT. SPREADER PLUG	BOUCHON EPAND. PLASTIQUE	PLASTIKPFROPFEN DsNGERSTR.	TAPN ABONADORA PLæSTICO D
10	19002710	PROTEZ.RINVIO SPANDICONCIME	FERTILIZER TRANSM. PROTECTION	PROTECTION RENVOI FERTILISEUR	SCHUTZ VORGELEN DUNGERSTREUER	PROTECCION TRANSMISION ABONADO
11	19004470	SERBATOIO CONCIME 850	FERTILIZER HOPPER 850	TR+MIE ENGRAIS 850	D_NGERTANK 850	DEPËSITO ABONO 850
11	19003060	SERBATOIO 1100 PLASTICA	PLASTIC TANK 1100	RESERVOIR 1100 PLASTIQUE	PLASTIKBEHZLTER 1100	DEPSITO 1100 PLæSTICA B
12	19002850	PROTEZIONE PIGNONE	PINION GUARD	PROTECTION PINION	RITZELSCHUTZ	PROTECCIN PIGN PR
13	19002920	CORPO DISTRIBUTORE SPANDI PLA.	PLA. F.SPREADER DISTRIB.CASING	CORPS DISTRIBUTEUR EPAND.	VERTEILUNGSKTRPER STREUER PLA.	CUERPO DIST. ABONADORA PLæS.
14	20860012	MANICOTTO DI UNIONE L.500	JOINT SLEEVE L.500	MANCHON DE RACCORD L. 500	VERBINDUNGSMUFFE L.500	MANGUITO DE UNIN L.500 M
14	20910044	MANICOTTO UNIONE L.1375	JOINT SLEEVE L.1375	MANCHON RACCORD L. 1375	VERBINDUNGSMUFFE L.1375	MANGUITO DE UNIN L.1375 M
14	20910045	MANICOTTO UNIONE L.1180	JOINT SLEEVE L.1180	MANCHON RACCORD L. 1180	VERBINDUNGSMUFFE L.1180	MANGUITO DE UNIN L.1180 M
15	20860052	REGOLATORE APERTURA	OPENING REGULATOR	REGULATEUR OUVERTURE	TFFNUNGSEINSTELLER	REGULADOR ABERTURA
16	20860086	INGRANAGGIO 1/2 Z-12 F.Q.	GEAR 1/2 Z-12 F.Q.	ENGRENAGE 1/2 Z-12 TROUS CARRE	ZAHNRAD 1/2 Z-12 F.Q.	ENGRANAJE 1/2 Z-12 F.Q.
17	20860088	INGRANAGGIO 1/2 Z-12 F.T.	GEAR 1/2 Z-12 F.T.	ENGRENAGE 1/2 Z-12 TROUS RONDS	ZAHNRAD 1/2 Z-12 F.T.	ENGRANAJE 1/2 Z-12 F.T.
18	20860090	ASSE SX 5F.60 L.1460	AXLE- LEFT 5-R.60 L.1460	AXE GCH. 5 RANGEES 60 L. 1460	ACHSE LI 5R.F.60 L.1460	EJE IZQ. 5 FILA. 60 L.1460
19	20860093	VITE DI REGOL.	ADJUSTMENT BOLT	VIS DE REGLAGE	EINSTELLSCHRAUBE.	TORNILLO DE REGULACIN S
20	20860106	DOSATORE SPANDI 8 PALE COMPL.	FERT.METERING DEVICE ASS.8 GRO	ROTOR DOSEUR 8C FERTI	DOSIERER DUNGER.KOMPL. 8 SEKT	DOSIFICADOR ABONO COMP.8 SECT
21	20860126	KIT INGR DISTR CONCIME (2+2)	KIT- MAN. DISTR. GEARS	COUPLE CON DISTR ENGRAIS (2+2)	KIT ZAHNRZDER DsNGERSTREUER	SET ENGRANAJES DISTRIB. ABONO
22	19005040	BOCCOLA ASSE SPANDI	FERT. SPREADER AXLE BUSH	DOUILLE AXE +PANDEUR	ACHSENBUCHSE STREUER	MANGUITO -RBOL ABONADORA
23	20890115	MORSETTO PLASTICA COMPL.	PLASTIC CLAMP SET	BORNE PLASTIQUE COMPL.	PLASTIKKLEMMME KOMPL.	SUJETADOR PLæSTICO COMPL.
24	20970097	RONDELLA 32X3X4,5	WASHER 32X3X4-5	RONDELLE 32X3X4-5	UNTERLEGSCHIEBE 32X3X4-5	ARANDELA 32X3X4-5
25	20970125	RONDELLA 28X2,5X6,5	WASHER 28X2-5X6-5	RONDELLE 28X2-5X6-5	ARANDELA 28X2-5X6-5	ARANDELA 28X2-5X6-5
26	22220073	RONDELLA 28X0,3X16,5	WASHER 28X0-3X16-5	RONDELLE 28X0-3X16-5	UNTERLEGSCHIEBE 28X0-3X16-5	ARANDELA 28X0-3X16-5
27	22230094	SUPPORTO CUSCINETTO	BEARING SUPPORT	SUPPORT PALIER	LAGERBSCHSE	SOPORTE COJINETE
28	22250287	MANICOTTO DISTANZIALE SV	SPACER SLEEVE SV	MANCHON ENTRETOISE SV	ABSTANDSMUFFE SV	MANGUITO DISTANCIADOR SV
29	41602016	VITE 6 X60 5737 8.G ZN	BOLT 6 X60 5737 8.G GALVANIZED	VIS 6 X60 5737 8.G ZN	SCHRAUBE 6 X60 5737 8.G ZN	TORNILLO 6 X60 5737 8.G ZN
30	41602024	VITE 8 X40 5737 8.G ZN	BOLT 8 X40 5737 8.G GALVANIZED	VIS 8 X40 5737 8.G ZN	SCHRAUBE 8 X40 5737 8.G ZN	TORNILLO 8 X40 5737 8.G ZN
31	41605015	VITE 6 X16 5739 8.G ZN	BOLT 6X16 5739 8.G GALVANIZED	VIS 6X16 5739 8.G ZN	SCHRAUBE 6X16 5739 8.G ZN	TORNILLO 6X16 5739 8.G ZN
32	41605027	VITE 8 X16 5739 8.G ZN	BOLT 8X16 5739 8.G GALVANIZED	VIS 8X16 5739 8.G ZN	SCHRAUBE 8X16 5739 8.G ZN	TORNILLO 8X16 5739 8.G ZN
33	41605041	VITE 10X25 5739 8.G ZN	BOLT 10X25 5739 8.G GALVANIZED	VIS 10X25 5739 8.G ZN	SCHRAUBE 10X25 5739 8.G ZN	TORNILLO 10X25 5739 8.G ZN
34	41982005	VITE 4,2X38 DIN 7981	BOLT 4-2X38 DIN 7981	VIS 4-2X38 DIN 7981	SCHRAUBE 4-2X38 DIN 7981	TORNILLO 4-2X38 DIN 7981
35	41984001	VITE AUTOF.4,2X9,5T.E.TAG.F.RO	BOLT- SELF-TAPPING 4-2X9-5T.E.	VIS AUTOTAR. 4-2X9-5 T. E. COU	SELBSTTSCHNEID. SCHRAUBE 4-2X9-	TORNILLO AUTORROSC. 4-2X9-5
36	43530004	DADO 6 5588 6.8 ZN	NUT 6 UNI 5588 6.8 GALVANIZED	ECROU 6 UNI 5588 6.8 ZN	MUTTER 6 UNI 5588 6.8 ZN	TUERCA 6 UNI 5588 6.8 ZN
37	43530006	DADO 8 5588 6.8 ZN	NUT 8 UNI 5588 6.8 GALVANIZED	ECROU 8 UNI 5588 6.8 ZN	MUTTER 8 UNI 5588 6.8 ZN	TUERCA 8 UNI 5588 6.8 ZN
38	43549003	DADO TRISTOP M10	NUT TRISTOP M10	ECROU TRISTOP M10	MUTTER TRISTOP M10	TUERCA TRISTOP M10
39	44953002	RONDELLA D6 UNI 6592 ZN	WASHER D6 UNI 6592 GALVANIZED	RONDELLE D6 UNI 6592 ZN	UNTERLEGSCHIEBE D6 UNI 6592 ZN	ARANDELA D6 UNI 6592 ZN
40	44953003	RONDELLA D8 UNI 6592 ZN	WASHER D8 UNI 6592 GALVANIZED	RONDELLE D8 UNI 6592 ZN	UNTERLEGSCHIEBE D8 UNI 6592 ZN	ARANDELA D8 UNI 6592 ZN
41	46966072	SPINA EL.5 X20 DIN 1481	PIN EL. .5 X20 DIN 1481	FICHE EL. 5 X20 DIN 1481	SPANNSTIFT 5X20 DIN 1481	CLAVIJA EL.5 X20 DIN 1481
42	46966079	SPINA EL.5 X36 DIN 1481	PIN EL. 5 X36 DIN 1481	FICHE EL. 5 X36 DIN 1481	SPANNSTIFT 5 X36 DIN 1481	CLAVIJA EL.5 X36 DIN 1481
43	46966099	SPINA EL.6 X30 DIN 1481	PIN EL. 6 X30 DIN 1481	FICHE EL. 6 X30 DIN 1481	SPANNSTIFT 6 X30 DIN 1481	CLAVIJA EL.6 X30 DIN 1481
44	53229001	GUARNIZIONI LABBRO DE100	LIP GASKET DE100	GARNITURES LEVRE DE100	LIPPENDICHTUNG DE100	GUA DELANTERA G
45	57158001	SPEZ.CAT.1/2 ISO 083 32MA.TR.	CUT-DOWN CHAIN .1/2 ISO 083 32	TRONCON CHAINE 1/2 ISO 083 32	KETTENZNGE 1/2 ISO 083 32 GL	TRECHO CADENA 1/2 ISO 083 32
46	61209001	TUBO SPIREX 35 COLORE NERO *	PLASTIC PIPE D.35 MM	TUYAU SPIREX 35 COULEUR NOIR	ROHR KUNSTOFF D.35 MM	TUBO PLAST. D.35 MM
47	65336025	MOLLA SPEC.ZN STRINGIT.ASP.SP	SPEC SPRING ZN FAN . PIPE CLAM	RESSORT SPEC. ZN SERRE-TUBE AS	SPEZIALFEDER ZN RORHSHELLE AB	MUELLE ESPEC. ZN APRIETA TUBOS

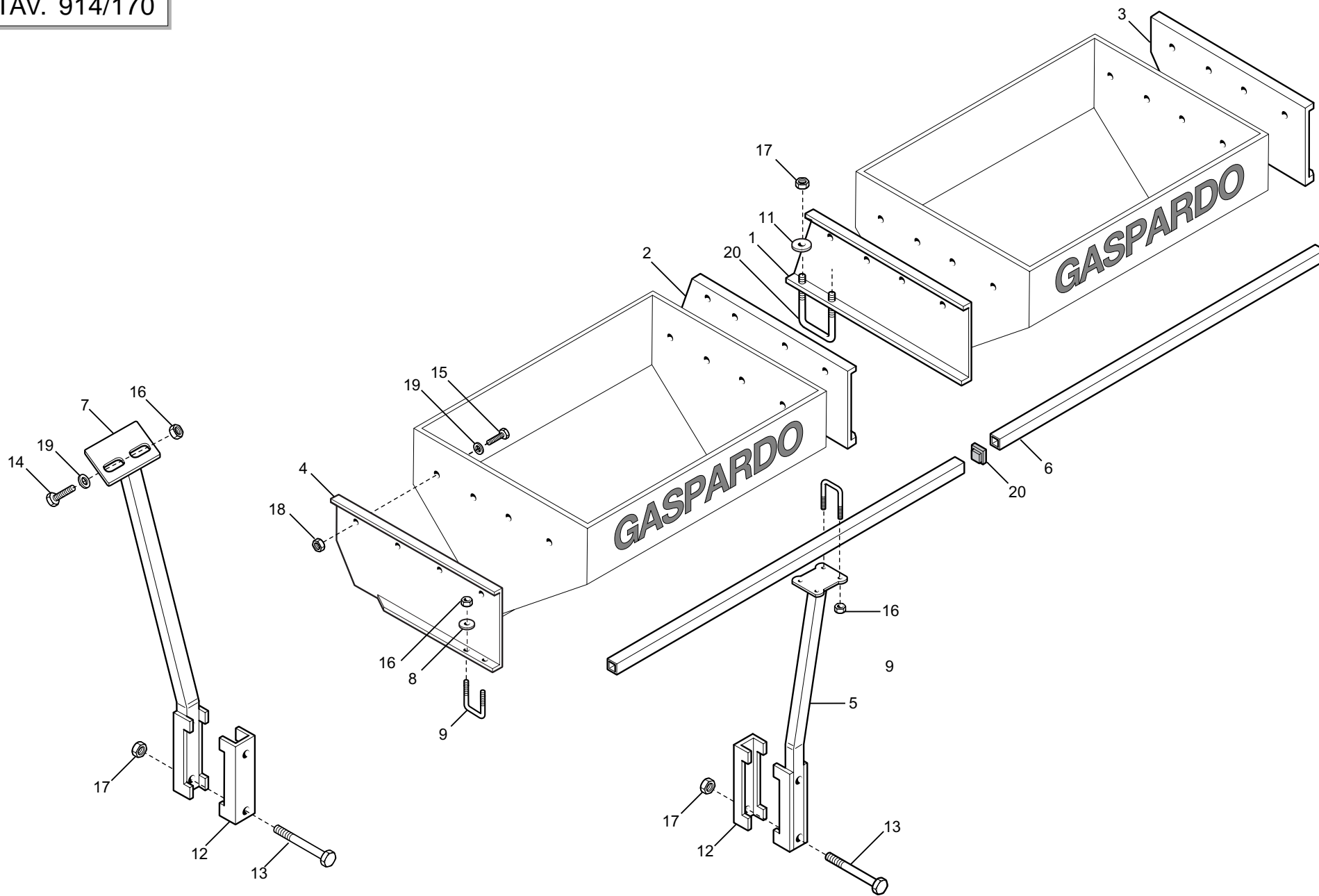


(\*) Kit ingranaggi  
cod. 20860126 (2+2 pezzi)

# SPANDICONCIME IN PLASTICA

TAV. 914/160

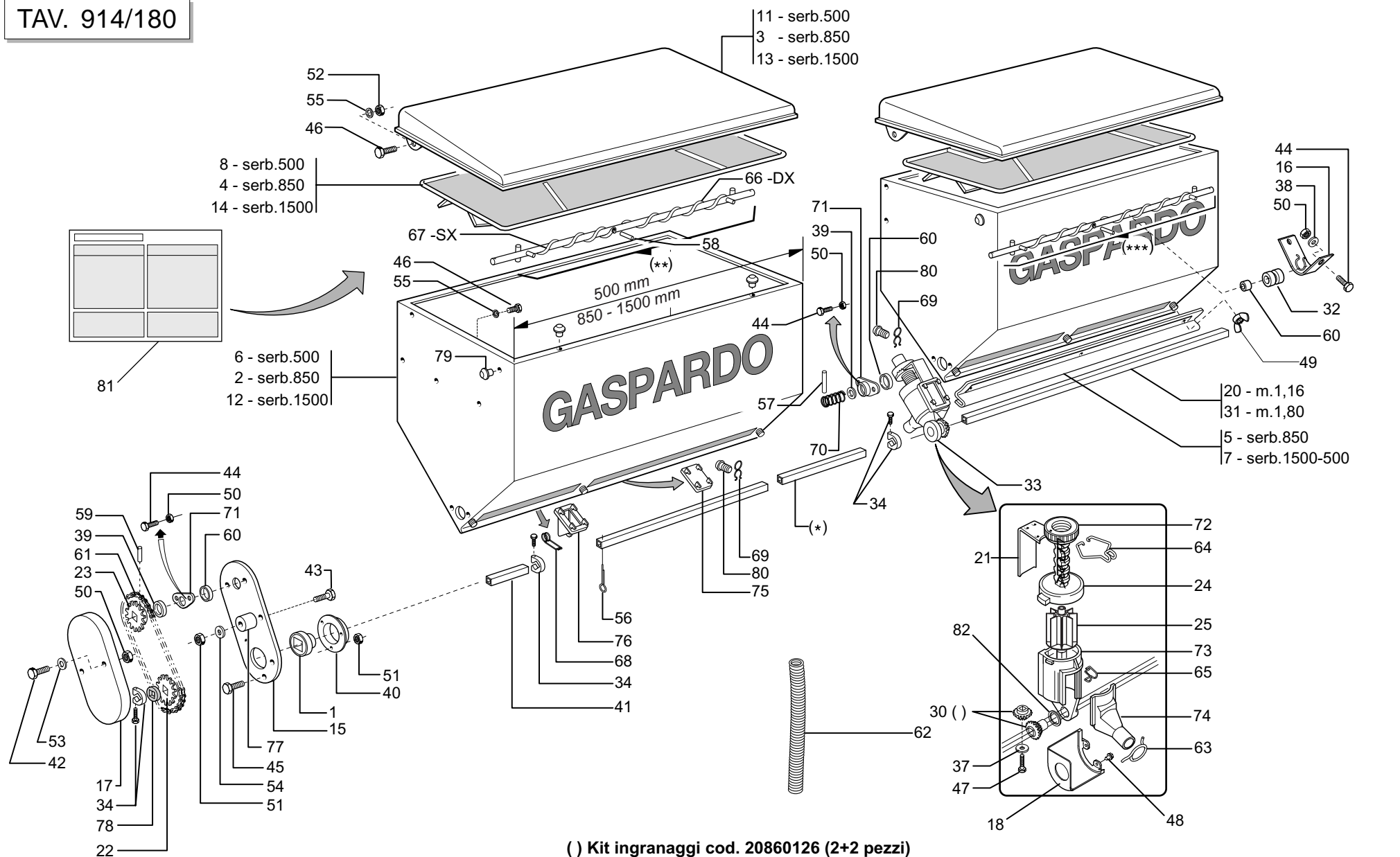
Pos.	Cod.	Descrizione	Description	Description	Benennung	Descripcion
48	65336055	MOLLA SPEC.REGOL.SPAND. SP	SPEC SPRING MAN. SPR. ADJUSTM.	RESSORT SPEC. REGL. EP. ENTRAI	SPEZIALFEDER STREUEREINSTELLUN	MUELLE ESPEC. REGUL. ABONADORA
49	65336062	MOLLA SPEC.SCIV.DISTR.SPAND.SP	SPEC SPRING - MAN. SPR. DISTR.	RESS. SPEC. LANCOIR DISTR. EP.	SPEZ.FEDER RUTSCHE SZAPP. STRE	MUELLE ESPEC.PLANO INCL.DISTR.
50	65336064	MOLLA SPEC.COCLEA DX SPAND.HL	SPEC. WORM SCREW SPRING RIGHT	RESSORT SPEC. VIS DRT. EP. ENG	SPEZ.FEDER RE SCHNECKE STREUER	MUELLE ESPEC. TORN.S/F DER. AB
51	65336065	MOLLA SPEC.COCLEA SX SPAND.HL	SPEC. WORM SCREW SPRING LEFT M	RESSORT SPEC. VIS GCH. EP. ENG	SPEZ.FEDER LI SCHNECKE STREUER	MUELLE ESPEC. TORN.S/F IZQ. AB
52	65338043	MOLLA COMP.ZN SERB. M80	ZN TANK COMP.SPRING M80	RESSORT COMPL. ZN RESERVOIR M8	DRUCKFEDER ZN BEHZLTER M80	MUELLE COMP.ZN DEPS. M80 A
53	66248121	BOCCOLA CON FLANGIA M80	BUSHING W/ FLANGE M80	SUPPORT AVEC BRIDE M80	BsCHSE MIT FLANSCH M80	CASQUILLO CON BRIDA M80
54	66248125	GHIERA REGOLAZIONE M80	ADJUSTMENT KNURLED NUT M80	BAGUE REGLAGE M80	EINSTELLMUTTER M80	CONTRATUERCA REGULACIN M80 G
55	66248178	SCIVOLO DISTR.SPAND. SP	CHUTE- MANURE-SPREADER DISTRIB	LANCOIR DISTRIBUTION EP. ENGR.	DsNGERSTREUER RUTSCHE SP	PLANO INCLINADO DISTR. ABON. S
56	66248207	TENDICATENA SPAND. SP-520	CHAIN TENSIONER	TENDEUR DE CHAINE EPAND. ENGR.	KETTENSPANNER DsNGERSTR. SP-52	SENSOR DE CADENA ABON. SP-520
57	66248218	RONDELLA DISTAN.SPAND.	MAN. SPR. SPACER WASHER	RONDELLE ENTRETOISE EP. ENGRAI	ABSTANDSCHEIBE DsNGERSTREUER	ARANDELA DISTAN.ABONAD.
58	67008060	TAPPO FILETT.SERBAT.PLASTICA	PLASTIC TANK THREADED PLUG	BOUCHON FILETE RESERV.PLAST.	GEWINDEPFROPFEN PLASTIKBEH.	TAPN ROSCADO DEPS.PLÆSTICO DO
59	19702751	DECAL.TABELLA CONCIME V'99	V 99 FERTILIZER CHART STICKER	DECALC. TABLEAU ENGRAIS V 99	ABZIEHB. TABELLE DsNGER V 99	CAL.TABLA ABONO V 99
60	18701500	RONDELLA 29,5 X38 X0,3	WASHER 29,5 X 38 X 0,3	RONDELLE 29,5 X38 X0,3	UNTERLEGSCHIEBE 29,5X38X0,3	ARANDELA 29,5 X38 X0,3
61	15470232	SUPPORTO MOLLA PIATTA 150	FLAT SPRING SUPPORT 150	SUPPORT RESSORT PLAT 150	HALTERUNG FLACHFEDER 150	SOPORTE MUELLE PLANO 150
62	16670610	FALCIONE ELEM.CONCIMAZ.PIATTA	FLAT FERTILIZATION COULTER ELE	SOC +LEM. FERTILIS. RESSORT PL	S-SCHAR ELEM.D_NGUNG FLACHFEDE	BOTA ELEM.ABONAD. MUELLE PLANO
63	18901092	GAMBO CONCIMAZ.MOLLA PIATTA SP	FLAT SPRING MANURING LEG SP	TIGE FUMAGE RESSORT PLAT SP	SCHAFT DsNGUNG FLACHE FEDER SP	VÆSTAGO ABONO MUELLE CHATO SP
64	18902861	RINF.MOLLA PIATTA CONCIM.SP	MANUR.PLATE SPRING REINFORCE.S	RENF. RESSORT PLAT FUMAGE SP	VERSTZRKUNG FLACHFEDER DsNGUNG	REFUERZO MUELLE ABONO SP
65	18903220	RINF.MOLLA CONCIM.FILE DISP.	ODD NUM. ROW MANUR.SPRING REIN	RENF. RESS. FUMAGE RANGEES IMP	VERST. FEDER DsNG. UNGERADE RE	REFUERZO MUELLE ABONO FILAS IM
66	18903820	MOLLA CONCIMAZIONE DISCO	DISC FERTILIZATION SPRING	RESSORT FERTILISATION DISQUE	FEDER D_NGUNG SCHEIBE	MUELLE ABONO DISCO
67	15110091	SCONTRO A U	STRIKER	BRIDE 150 MM	ANSCHLAG	ELEMENTO DE EMPALME
68	41601101	VITE 14 X160 5737 8.G	BOLT M 14 X160 5737 8.G	VIS M 14 X160 5737 8.G	SCHRAUBE M 14 X160 5737 8.G	TORNILLO M 14 X160 5737 8.G
69	41605051	VITE 12X35 5739 8.G ZN	BOLT 12X35 5739 8.G GALVANIZED	VIS 12X35 5739 8.G ZN	SCHRAUBE 12X35 5739 8.G ZN	TORNILLO 12X35 5739 8.G ZN
70	43530009	DADO 14 5588 6.8 ZN	NUT 14 UNI 5588 6.8 GALVANIZED	ECROU 14 UNI 5588 6.8 ZN	MUTTER 14 UNI 5588 6.8 ZN	TUERCA 14 UNI 5588 6.8 ZN
71	43549004	DADO TRISTOP M12	NUT- TRISTOP M12	ECROU TRISTOP M12	MUTTER TRISTOP M12	TUERCA TRISTOP M12
72	18903911	MOLLA FERMO TUBO D.35	PIPE LOCK SPRING D.35	RESSORT ARR-T TUBE D.35	ROHRSPERRFEDER D.35	MUELLE TOPE TUBO D. 35



# SUPPORTI SPANDICONCIME IN FERRO

TAV. 914/170

Pos.	Cod.	Descrizione	Description	Description	Benennung	Descripcion
1	15470631	SUPPORTO SPANDI CENTRALE DX	RH CENTRAL FERT.SPREADER SUPP.	SUPPORT EPANDEUR CENTR.DRT.	HALTER. MITTL.DsNGERSTR. RE	SOPORTE ABONAD. CENTRAL DER.
2	15470641	SUPPORTO SPANDI CENTRALE SX	LH CENTRAL FERT.SPREADER SUPP.	SUPPORT EPANDEUR CENTR.GCH.	HALTER. MITTL.DsNGERSTR. LI	SOPORTE ABONAD. CENTRAL IZQ.
3	15171380	SUPPORTO ESTERNO SPANDI DX	MAN.SPR. EXT. RIGHT SUPPORT	SUPPORT EXT. DRT. EP. ENGRAIS	RECHTE ZUSSERE HALTER.DsNGERST	SOPORTE EXT.DER. ABONADORA .
4	15171390	SUPPORTO ESTERNO SPANDI SX	MAN.SPR.EXT.LEFT SUPPORT	SUPPORT EXT. GCH. EP. ENGRAIS	LINKER ZUSSERE HALTER.DsNGERST	SOPORTE EXTERIOR IZQ.ABONADORA
5	16670011	SUPPORTO SPANDI	SPREADER SUPPORT	SUPPORT +PANDEUR	HALTERUNG SPANDI	SOPORTE ABONADORA
5	15472901	SUPPORTO SPANDI Q.150	SQ. FERTILIZER SPREADER SUPPOR	SUPPORT +PANDEUR CARR+ 150	HALTERUNG SPANDI Q.150	SOPORTE ABONADORA Q.150
6	15472970	TUBO Q.35 X4 X1200	SQUARE PIPE 35 X4 X1200	TUBE CARRE 35 X4 X1200	VIERKANTRUHR 35 X4 X1200	TUBO CUADRADO 35 X4 X1200
7	15473051	SUPPORTO SERBATOIO ANT.	FRONT HOPPER SUPPORT	SUPPORT TR+MIE AVANT	HALTERUNG VORDERER BEH-LTER	SOPORTE DEPESITO ANT.
8	18701140	RONDELLA 11 X35 X5	WASHER 11 X 35 X 5	RONDELLE 11 X35 X5	UNTERLEGSCHIEBE 11 X35 X5	ARANDELA 11 X35 X5
9	22250272	CAVALLOTTO SUPP.DISCO SV	DISK SUPPORT.ELEMENT U BOLT SV	CAVALIER SUPPORT DISQUE SV	VERBINDUNG SCHEIBENHALTERUNG S	PERNO EN U SOP. DISCO SV
10	22500068	CAVALLOTTO M 14	M 14 U BOLT	CAVALIER M 14	VERBINDUNG M 14	PERNO EN U M 14
11	18700690	RONDELLA 15 X40 X6 ZN	WASHER 15 X 40 X 6 ZN	RONDELLE 15 X40 X6 ZN	UNTERLEGSCHIEBE 15 X40 X6 ZN	ARANDELA 15 X40 X6 ZN
12	15110091	SCONTRO A U	STRIKER	BRIDE 150 MM	ANSCHLAG	ELEMENTO DE EMPALME
13	41602125	VITE 14X240 5737 8.G ZN *	BOLT 14X240 5737 8.G GALVANIZ.	VIS 14X240 5737 8.G ZN	SCHRAUBE 14X240 5737 8.G ZN	TORNILLO 14X240 5737 8.G ZN
14	41605041	VITE 10X25 5739 8.G ZN	BOLT 10X25 5739 8.G GALVANIZED	VIS 10X25 5739 8.G ZN	SCHRAUBE 10X25 5739 8.G ZN	TORNILLO 10X25 5739 8.G ZN
15	41605043	VITE 10X35 5739 8.G ZN	BOLT 10X35 5739 8.G GALVANIZED	VIS 10X35 5739 8.G ZN	SCHRAUBE 10X35 5739 8.G ZN	TORNILLO 10X35 5739 8.G ZN
16	43530007	DADO 10 5588 6.8 ZN	SCREW 10 UNI 5588 6.8 GALVANIZ	ECROU 10 UNI 5588 6.8 ZN	MUTTER 10 UNI 5588 6.8 ZN	TUERCA 10 UNI 5588 6.8 ZN
17	43530009	DADO 14 5588 6.8 ZN	NUT 14 UNI 5588 6.8 GALVANIZED	ECROU 14 UNI 5588 6.8 ZN	MUTTER 14 UNI 5588 6.8 ZN	TUERCA 14 UNI 5588 6.8 ZN
18	43549003	DADO TRISTOP M10	NUT TRISTOP M10	ECROU TRISTOP M10	MUTTER TRISTOP M10	TUERCA TRISTOP M10
19	44953505	ROND.PIANA 11X30X2,5 6593 ZN	FLAT WASHER 11X30X2-5 6593 ZN	ROND.PLATE 11X30X2-5 6593 ZN	SCHEIBE 11X30X2-5 6593 ZN	ARAND. PLANA 11X30X2-5 6593 ZN
20	67008044	PUNTALE Q.35 NERO	TIP Q.35 BLACK	EXTREMITÉ Q. 35 NOIRE	STTSSELSCHAFT Q.35 SCHWARZ	PUNTAL Q.35 NEGRO



( ) Kit ingranaggi cod. 20860126 (2+2 pezzi)

19 - 20860012 - m 0,50
* 36 - 20910045 - m 1,18
35 - 20910044 - m 1,375

10 - 15471130 - SX/ serb.500
** 27 - 20860122 - SX/ serb.850
29 - 20860124 - SX/ serb.1500

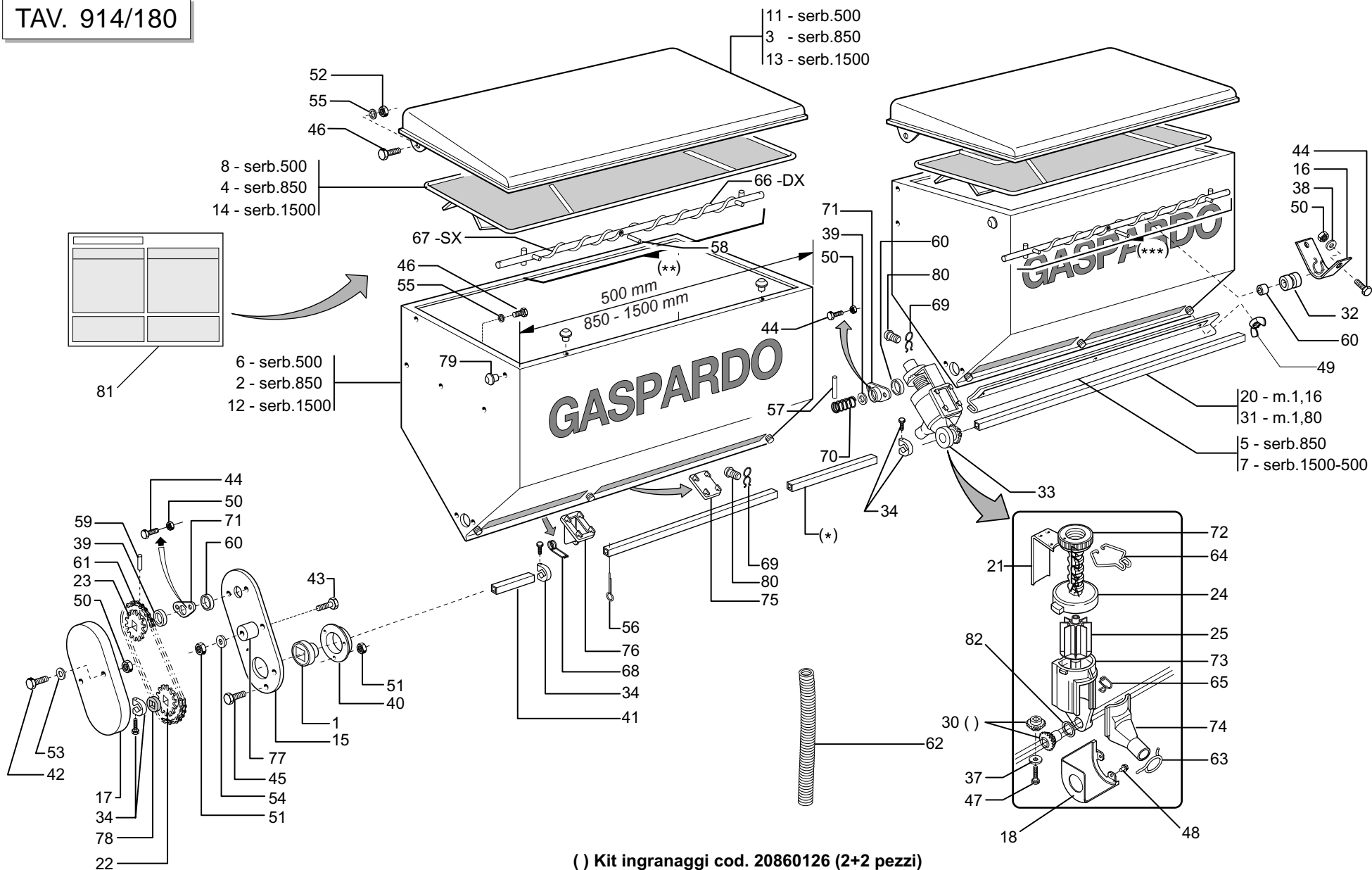
9 - 15471120 - DX/ serb.500
*** 26 - 20860121 - DX/ serb.850
28 - 20860123 - DX/ serb.1500



# SPANDICONCIME IN FERRO

TAV. 914/180

Pos.	Cod.	Descrizione	Description	Description	Benennung	Description
1	14830390	CUSCINETTO FORO QUADRO	SQUARE-HOLED BEARING	ROULEMENT AL+SAGE CARR+	VIERKANTLAGER	COJINETE ORIFICIO CUADRADO
2	15470500	SERBATOIO CONCIME 850	MANURE TANK 850	RESERVOIR ENGRAIS 850	DsNGERBEHZLTER 850	DEPSITO ABONO 850 B
3	15470580	COPERCHIO SERBATOIO 850	TANK TOP 850	COUVERCLE RESERVOIR 650	BEHZLTERDECKEL 850	TAPA DEPSITO 850 A
4	15470700	GRIGLIA 850	GRID 850	GRILLE 850	GITTER 850	REJILLA 850
5	15470780	PORTA DI PULIZIA SERB.850	TANK 850 CLEANING DOOR	PORTE DE NETTOYAGE RESERVOIR 8	REINIGUNGSTsR BEHZLTER 850	PUERTA DE LIMPIEZA DEPS. 850 P
6	15471010	SERBATOIO CONCIME 500	FERTILIZER TANK 500	RESERVOIR ENGRAIS 500	DsNGERBEHZLTER 500	DEPSITO ABONO 500 B
7	15471040	PORTA DI PULIZIA	CLEANING DOOR	PORTE DE NETTOYAGE	REINIGUNGSTsR	PUERTA LIMPIEZA
8	15471090	GRIGLIA 500	GRID 500	GRILLE 500	GITTER 500	REJILLA 500
9	15471120	ASSE AGITAT.DX SERBATOIO 500	RIGHT TANK STIRRER SPINDLE 500	AXE AGIT. DRT RESERVOIR 500	ACHSE SAMENMISCHER RE BEHZLTER	EJE AGITADOR DER DEPSITO 500 A
10	15471130	ASSE AGITAT. SX SERBATOIO 500	LEFT TANK STIRRER SPINDLE 500	AXE AGIT. GCH RESERVOIR 500	ACHSE SAMENMISCHER LI BEHZLTER	EJE AGITADOR IZQ DEPSITO 500 A
11	15471140	COPERCHIO SERBATOIO 500	TANK COVER 500	COUVERCLE RESERVOIR 500	BEHZLTERDECKEL 500	TAPA DEPSITO 500 A
12	15471280	SERBATOIO CONCIME 1500	FERTILIZER TANK 1500	RESERVOIR ENGRAIS 1500	DsNGERBEHZLTER 1500	DEPSITO ABONO 1500 B
13	15471320	COPERCHIO SERBATOIO 1500	TANK COVER 1500	COUVERCLE RESERVOIR 1500	BEHZLTERDECKEL 1500	TAPA DEPSITO 1500 A
14	15471390	GRIGLIA 1500	GRID 1500	GRILLE 1500	GITTER 1500	REJILLA 1500
15	15471930	PROTEZIONE	GUARD	PROTECTION	SCHUTZ	PROTECCIN P
16	15471990	SUPPORTO COCLEA	SCREW SUPPORT	SUPPORT VIS ALIMENTATION	HALTERUNG SCHNECKE	SOPORTE CCLEA S
17	19002710	PROTEZ.RINVIO SPANDICONCIME	FERTILIZER TRANSM. PROTECTION	PROTECTION RENVOI FERTILISEUR	SCHUTZ VORGELEGE DUNGERSTREUER	PROTECCION TRANSMISION ABONADO
18	19002850	PROTEZIONE PIGNONE	PINION GUARD	PROTECTION PIGNON	RITZELSCHUTZ	PROTECCIN P1/4N PR
19	20860012	MANICOTTO DI UNIONE L.500	JOINT SLEEVE L.500	MANCHON DE RACCORD L. 500	VERBINDUNGSMUFFE L.500	MANGUITO DE UNIN L.500 M
20	20860032	ASSE RUOTA CAMBIO L.1160	WHEEL AXLE - GEARBOX L.1160	AXE ROUE BOITE DE VITESSE	GEBTRIEBERADACHSE L 1160	EJE RUEDA CAMBIO L.1160
21	20860052	REGOLATORE APERTURA	OPENING REGULATOR	REGULATEUR OUVERTURE	REGULATORE APERTURA	ENGRANAJE 1/2 Z-12 F.Q.
22	20860086	INGRANAGGIO 1/2 Z-12 F.Q.	GEAR 1/2 Z-12 F.Q.	ENGRENAGE 1/2 Z-12 TROUS CARRE	ZAHNRAD 1/2 Z-12 F.Q.	ENGRANAJE 1/2 Z-12 F.Q.
23	20860088	INGRANAGGIO 1/2 Z-12 F.T.	GEAR 1/2 Z-12 F.T.	ENGRENAGE 1/2 Z-12 TROUS ROUNDS	ZAHNRAD 1/2 Z-12 F.T.	ENGRANAJE 1/2 Z-12 F.T.
24	20860093	VITE DI REGOL.	ADJUSTMENT BOLT	VIS DE REGLAGE	EINSTELLSCHRAUBE.	TORNILLO DE REGULACIN S
25	20860106	DOSATORE SPANDI 8 PALE COMPL.	FERT.METERING DEVICE ASS.8 GRO	ROTOR DOSEUR 8C FERTI	DOSIERER DUNGER.KOMPL. 8 SEKT	DOSIFICADOR ABONO COMP.8 SECT
26	20860121	ASSE AGITAT.DX SERB.850 COMPL.	STIRRER SPINDLE- RIGHT 850 TAN	AXE AGITATEUR DRT. RESERVOIR 8	SAMENMISCHERACHSE RE BEH.850	EJE AGITAD. DER. DEPS.850 COMA
27	20860122	ASSE AGITAT.SX SERB.850 COMPL.	STIRRER SPINDLE- LEFT 850 TANK	AXE AGITATEUR GCH. RESERVOIR 8	SAMENMISCHERACHSE LI BEH.850	EJE AGITAD. IZQ. DEPS. 850 COA
28	20860123	AGIT.DX SERB.1500 3-4 USC.COMP	RIGHT 1500 TANK STIRRER- 3-4 O	AGITATEUR DRT. RESERVOIR 1500	SAMENMI. RE BEH.1500 3-4AUSG.	AGIT. DER. DEPS. 1500 3-4 SALA
29	20860124	AGIT.SX SERB.1500 3-4 USC.COMP	LEFT 1500 TANK STIRRER- 3-4 OU	AGITATEUR GCH. RESERVOIR 1500	SAMENMI. LI BEH.1500 3-4 AUSG.	AGIT. IZQ. DEPS. 1500 3-4 SALA
30	20860126	KIT INGR DISTR CONCIME (2+2)	KIT- MAN. DISTR. GEARS	COUPLE CON DISTR ENGRAIS (2+2)	KIT ZAHNRZDER DsNGERSTREUER	SET ENGRANAJES DISTRIB. ABONO
31	20870028	ASSE SERB.LATO TRAS.6F.L.1800	AXLE- GEARBOX SIDE- 6-ROW L.18	AXE RESERVOIR COTE ENTRAINEMEN	ACHSE BEHZLTER ANTRIEBSS. 6F.L	EJE DEPS. LADO TRANS. 6 FILA A
32	19005040	BOCCOLA ASSE SPANDI	FERT. SPREADER AXLE BUSH	DOUILLE AXE +PANDEUR	ACHSENBUCHSE STREUER	MANGUITO-RBOL ABONADORA
33	20880044	DISTR.COMPL.8PALE SPANDI FE	COMPL.IRON FERTIL.DISTR.8 RIBS	MINIMAX COMPL 8C FER	KOMPL.DOSIER.MET.DÜNGERSTR.8S	DISTR.COMP.ABONO HIER.8ALETAS
34	20890115	MORSETTO PLASTICA COMPL.	PLASTIC CLAMP SET	BORNE PLASTIQUE COMPL.	PLASTIKKLEMMME KOMPL.	SUJETADOR PLÆSTICO COMPL.
35	20910044	MANICOTTO UNIONE L.1375	JOINT SLEEVE L.1375	MANCHON RACCORD L. 1375	VERBINDUNGSMUFFE L.1375	MANGUITO DE UNIN L.1375 M
36	20910045	MANICOTTO UNIONE L.1180	JOINT SLEEVE L.1180	MANCHON RACCORD L. 1180	VERBINDUNGSMUFFE L.1180	MANGUITO DE UNIN L.1180 M
37	20970097	RONDELLA 32X3X4,5	WASHER 32X3X4-5	RONDELLE 32X3X4-5	UNTERLEGSCHLEIBE 32X3X4-5	ARANDELA 32X3X4-5
38	20970125	RONDELLA 28X2,5X6,5	WASHER 28X2-5X6-5	RONDELLE 28X2-5X6-5	UNTERLEGSCHLEIBE 28X2-5X6-5	ARANDELA 28X2-5X6-5
39	22220073	RONDELLA 28X0,3X16,5	WASHER 28X0-3X16-5	RONDELLE 28X0-3X16-5	UNTERLEGSCHLEIBE 28X0-3X16-5	ARANDELA 28X0-3X16-5
40	22230094	SUPPORTO CUSCINETTO	BEARING SUPPORT	SUPPORT PALIER	LAGERBsCHSE	SOPORTE COJINETE
41	22250287	MANICOTTO DISTANZIALE SV	SPACER SLEEVE SV	MANCHON ENTRETOISE SV	ABSTANDSMUFFE SV	MANGUITO DISTANCIADOR SV
42	41602016	VITE 6 X60 5737 8.G ZN	BOLT 6 X60 5737 8.G GALVANIZED	VIS 6 X60 5737 8.G ZN	SCHRAUBE 6 X60 5737 8.G ZN	TORNILLO 6 X60 5737 8.G ZN
43	41602024	VITE 8 X40 5737 8.G ZN	BOLT 8 X40 5737 8.G GALVANIZED	VIS 8 X40 5737 8.G ZN	SCHRAUBE 8 X40 5737 8.G ZN	TORNILLO 8 X40 5737 8.G ZN
44	41605015	VITE 6 X16 5739 8.G ZN	BOLT 6X16 5739 8.G GALVANIZED	VIS 6X16 5739 8.G ZN	SCHRAUBE 6X16 5739 8.G ZN	TORNILLO 6X16 5739 8.G ZN
45	41605027	VITE 8 X16 5739 8.G ZN	BOLT 8X16 5739 8.G GALVANIZED	VIS 8X16 5739 8.G ZN	SCHRAUBE 8X16 5739 8.G ZN	TORNILLO 8X16 5739 8.G ZN
46	41605041	VITE 10X25 5739 8.G ZN	BOLT 10X25 5739 8.G GALVANIZED	VIS 10X25 5739 8.G ZN	SCHRAUBE 10X25 5739 8.G ZN	TORNILLO 10X25 5739 8.G ZN
47	41982005	VITE 4,2X38 DIN 7981	BOLT 4,2X38 DIN 7981	VIS 4-2X38 DIN 7981	SCHRAUBE 4-2X38 DIN 7981	TORNILLO 4-2X38 DIN 7981
48	41984001	VITE AUTOF.4,2X9,5T.E.TAG.F.RO	BOLT- SELF-TAPPING 4-2X9-5T.E.	VIS AUTOTAR. 4-2X9-5 T. E. COU	SELBSTSCHNEID. SCHRAUBE 4-2X9-	TORNILLO AUTORROSC. 4-2X9-5
49	43440004	DADO 6 5448 5.8 ZN	NUT 6 UNI 5448 5.8 ZN	ECROU 6 UNI 5448 5.8 ZN	MUTTER 6 UNI 5448 5.8 ZN	TUERCA 6 UNI 5448 5.8 ZN
50	43530004	DADO 6 5588 6.8 ZN	NUT 6 UNI 5588 6.8 GALVANIZED	ECROU 6 UNI 5588 6.8 ZN	MUTTER 6 UNI 5588 6.8 ZN	TUERCA 6 UNI 5588 6.8 ZN
51	43530006	DADO 8 5588 6.8 ZN	NUT 8 UNI 5588 6.8 GALVANIZED	ECROU 8 UNI 5588 6.8 ZN	MUTTER 8 UNI 5588 6.8 ZN	TUERCA 8 UNI 5588 6.8 ZN
52	43549003	DADO TRISTOP M10	NUT TRISTOP M10	ECROU TRISTOP M10	MUTTER TRISTOP M10	TUERCA TRISTOP M10
53	44953002	RONDELLA D6 UNI 6592 ZN	WASHER D6 UNI 6592 GALVANIZED	RONDELLE D6 UNI 6592 ZN	UNTERLEGSCHLEIBE D6 UNI 6592 ZN	ARANDELA D6 UNI 6592 ZN
54	44953003	RONDELLA D8 UNI 6592 ZN	WASHER D8 UNI 6592 GALVANIZED	RONDELLE D8 UNI 6592 ZN	UNTERLEGSCHLEIBE D8 UNI 6592 ZN	ARANDELA D8 UNI 6592 ZN



( ) Kit ingranaggi cod. 20860126 (2+2 pezzi)

- 19 - 20860012 - m 0,50
- \* 36 - 20910045 - m 1,18
- 35 - 20910044 - m 1,375

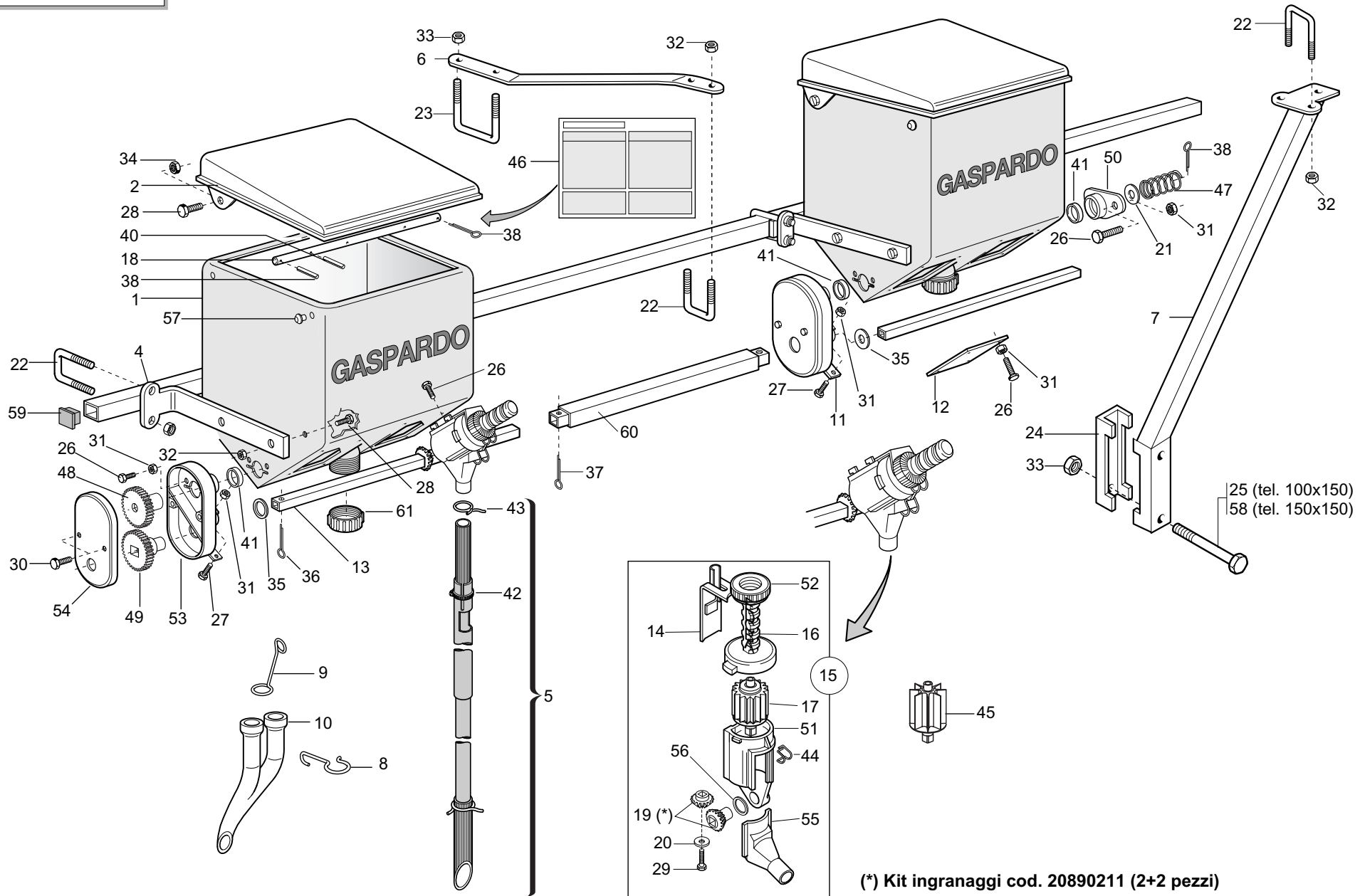
- 10 - 15471130 - SX/ serb.500
- \*\* 27 - 20860122 - SX/ serb.850
- 29 - 20860124 - SX/ serb.1500

- 9 - 15471120 - DX/ serb.500
- \*\*\* 26 - 20860121 - DX/ serb.850
- 28 - 20860123 - DX/ serb.1500

**SPANDICONCIME IN FERRO**

**TAV. 914/180**

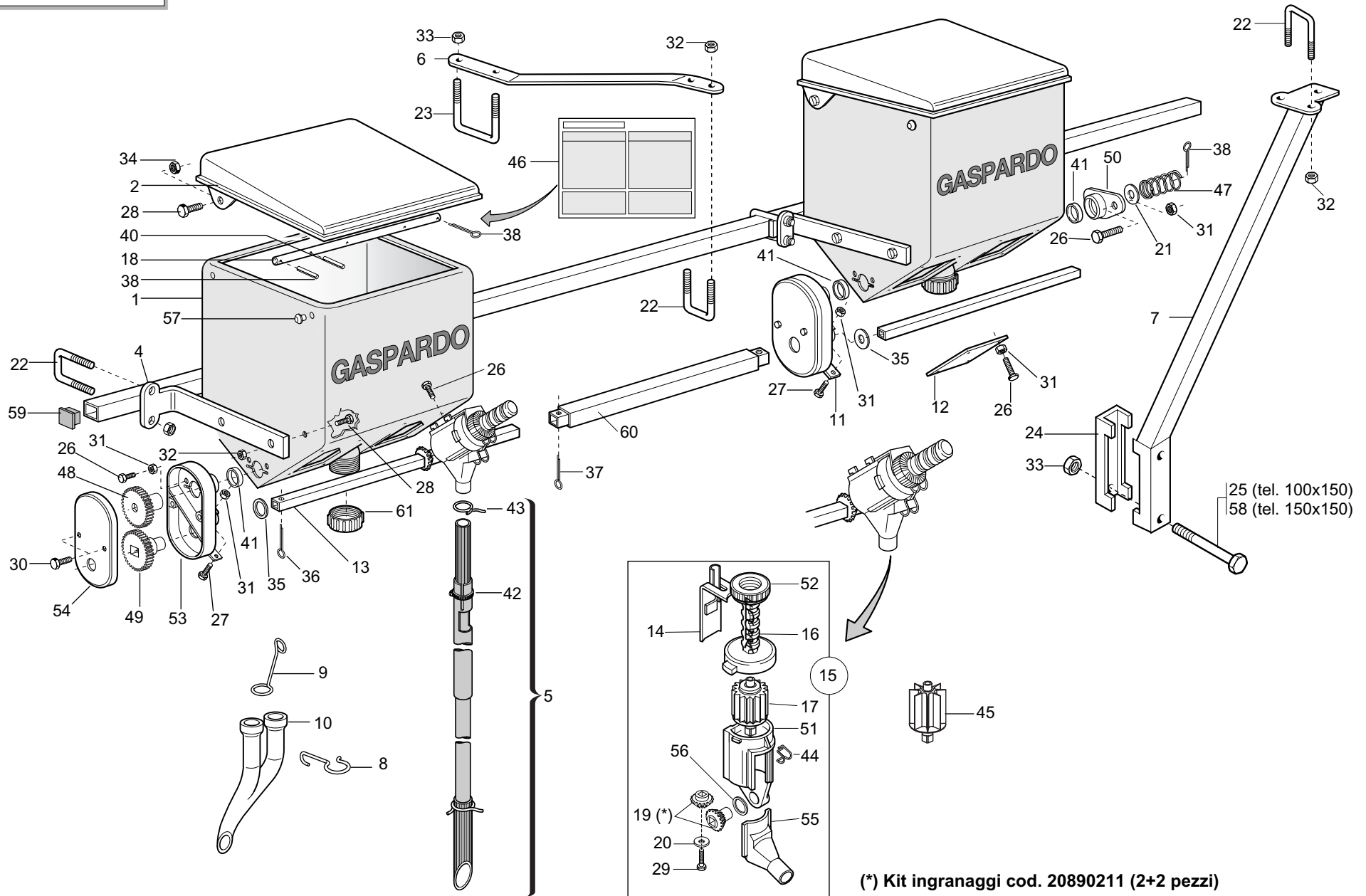
Pos.	Cod.	Descrizione	Description	Description	Benennung	Descripcion
55	44953505	ROND.PIANA 11X30X2,5 6593 ZN	FLAT WASHER 11X30X2-5 6593 ZN	ROND.PLATE 11X30X2-5 6593 ZN	SCHEIBE 11X30X2-5 6593 ZN	ARAND. PLANA 11X30X2-5 6593 ZN
56	45961083	COPIGLIA 5 X30 1336 ZN	SPLIT PIN 5 X30 1336 GALVAN.	GOUPILLE 5 X30 1336 ZN	SPLINT 5 X30 1336 ZN	PASADOR 5 X30 1336 ZN
57	46966072	SPINA EL.5 X20 DIN 1481	PIN EL. .5 X20 DIN 1481	FICHE EL. 5 X20 DIN 1481	SPANNSTIFT 5X20 DIN 1481	CLAVIJA EL.5 X20 DIN 1481
58	46966079	SPINA EL.5 X36 DIN 1481	PIN EL. 5 X36 DIN 1481	FICHE EL. 5 X36 DIN 1481	SPANNSTIFT 5 X36 DIN 1481	CLAVIJA EL.5 X36 DIN 1481
59	46966099	SPINA EL.6 X30 DIN 1481	PIN EL. 6 X30 DIN 1481	FICHE EL. 6 X30 DIN 1481	SPANNSTIFT 6 X30 DIN 1481	CLAVIJA EL.6 X30 DIN 1481
60	53229001	GUARNIZIONI LABBRO DE100	LIP GASKET DE100	GARNITURES LEVRE DE100	LIPPENDICHTUNG DE100	GUA DELANTERA G
61	57158001	SPEZ.CAT.1/2 ISO 083 32MA.TR.	CUT-DOWN CHAIN .1/2 ISO 083 32	TRONCON CHAINE 1/2 ISO 083 32	KETTENZANGE 1/2 ISO 083 32 GL	TRECHO CADENA 1/2 ISO 083 32
62	61209001	TUBO ASPIREX 35 COLORE NERO *	PLASTIC PIPE D.35 MM	TUYAU ASPIREX 35 COULEUR NOIR	ROHR KUNSTOFF D.35 MM	TUBO PLAST. D.35 MM
63	65336025	MOLLA SPEC.ZN STRINGIT.ASP.SP	SPEC SPRING ZN FAN . PIPE CLAM	RESSORT SPEC. ZN SERRE-TUBE AS	SPEZIALFEDER ZN RORHSHELLE AB	MUELLE ESPEC. ZN APRIETA TUBOS
64	65336055	MOLLA SPEC.REGOL.SPAND. SP	SPEC SPRING MAN. SPR. ADJUSTM.	RESSORT SPEC. REGL. EP. ENTRA	SPEZIALFEDER STREUERINSTELLUN	MUELLE ESPEC. REGUL. ABONADORA
65	65336062	MOLLA SPEC.SCIV.DISTR.SPAND.SP	SPEC SPRING - MAN. SPR. DISTR.	RESS. SPEC. LANCOIR DISTR. EP.	SPEZ.FEDER RUTSCHE SZAPP. STRE	MUELLE ESPEC.PLANO INCL.DISTR.
66	65336064	MOLLA SPEC.COCLEA DX SPAND.HL	SPEC. WORM SCREW SPRING RIGHT	RESSORT SPEC. VIS DRT. EP. ENG	SPEZ.FEDER RE SCHNECKE STREUER	MUELLE ESPEC. TORN.S/F DER. AB
67	65336065	MOLLA SPEC.COCLEA SX SPAND.HL	SPEC. WORM SCREW SPRING LEFT M	RESSORT SPEC. VIS GCH. EP. ENG	SPEZ.FEDER LI SCHNECKE STREUER	MUELLE ESPEC. TORN.S/F IZQ. AB
68	65336080	MOLLA SPEC.SCARICO SPAND.T.M.	SPEC.SPRING- MAN. SPR. DISCHAR	RESSORT SPEC. DECHARGEMENT FER	SPEZIALFEDER STREUERENTLADUNG	MUELLE ESPEC. DESCARGA ABONAD.
69	65336089	MOLLA SPEC.TENUTA FERMO SPAND.	SPEC.SPRING- BLOCK. MAN. SPR.	RESSORT SPEC. D'ETANCHEITE ARR	SPEZIALFEDER DICHTUNG STREUER	MUELLE ESPEC. RETENC. BLOQ
70	65338043	MOLLA COMP.ZN SERB. M80	ZN TANK COMP.SPRING M80	RESSORT COMPL. ZN RESERVOIR M8	DRUCKFEDER ZN BEHZLTER M80	MUELLE COMP.ZN DEPS. M80 A
71	66248121	BOCCOLA CON FLANGIA M80	BUSHING W/ FLANGE M80	SUPPORT AVEC BRIDE M80	BsCHSE MIT FLANSCH M80	CASQUILLO CON BRIDA M80
72	66248125	GHIERA REGOLAZIONE M80	ADJUSTMENT KNURLED NUT M80	BAGUE REGLAGE M80	EINSTELLMUTTER M80	CONTRATUERCA REGULACIN M80 G
73	66248176	CORPO DISTR.SPAND. SP	MANURE SPREADER DISTR. CASING	CORPS DISTRIB. EP. ENGRAIS SP	VERTEILUNGSKTRPER STREUER SP	CUERPO DISTR. ABON. SP
74	66248178	SCIVOLO DISTR.SPAND. SP	CHUTE- MANURE-SPREADER DISTRIB	LANCOIR DISTRIBUTION EP. ENGR.	DsNGERSTREUER RUTSCHE SP	PLANO INCLINADO DISTR. ABON. S
75	66248184	CHIUSURA USCITA SERB.SPAND.SP	OUTLET CLOSURE- MAN.SPREAD. TA	FERMETURE SORTIE RESERVOIR FER	VERSCHLUSS AUSTRITT DsNGERSTR.	CIERRE SALIDA DEPS. ABON. SP I
76	66248187	SCARICO SERB.SPAND.TIPO MICRO	MICRO TYPE MAN.SPR.TANK DISCH.	TRAPPE DE VIDANGE TYPE MICRO	BEHZLTERENTLADUNG STREUER TYP	DESCARGA DEPS. ABON.TIPO MICRD
77	66248207	TENDICATENA SPAND. SP-520	CHAIN TENSIONER	TENDEUR DE CHAINE EPAND. ENGR.	KETTENSANNER DsNGERSTR. SP-52	SENSOR DE CADENA ABON. SP-520
78	66248218	RONDELLA DISTAN.SPAND.	MAN. SPR. SPACER WASHER	RONDELLE ENTRETOISE EP. ENGRAI	ABSTANDSCHEIBE DsNGERSTREUER	ARANDELA DISTAN.ABONAD.
79	66248223	TAPPO SUPP.SPAND.D.11	PLUG MAN. SPR. SUPP. D.11	BOUCHON SUPPORT EP. ENGRAIS D.	HALTERUNGSPFROPFEN DsNGERSTR.	TAPN SOPORTE ABON.D.11 D
80	66248224	FERMO DISTRIBUTORE SPAND.	FERT. SPR. DISTRIB. STOP	ARRET DISTRIBUTEUR EP. ENGRAIS	FESTSTELLVORRICHTUNG SZAPP. ST	BLOQUEO DISTRIBUIDOR ABON.
81	19702751	DECAL.TABELLA CONCIME V'99	V 99 FERTILIZER CHART STICKER	DECALC. TABLEAU ENGRAIS V 99	ABZIEHB. TABELLE DsNGER V 99	CAL.TABLA ABONO V 99
82	18701500	RONDELLA 29,5 X38 X0,3	WASHER 29,5 X 38 X 0,3	RONDELLE 29,5 X38 X0,3	UNTERLEGSCHHEIBE 29,5X38X0,3	ARANDELA 29,5 X38 X0,3



# MICROGRANULATORE

TAV. 914/190

Pos.	Cod.	Descrizione	Description	Description	Benennung	Description
1	19002932	SERBATOIO MICRO 250 PLA.	PLASTIC TANK MICRO 250	RESERVOIR MICRO 250 PLASTIQUE	MIKROGRANULATBEHZLTER PLAST.	DEPSITO MICRO 250 PLAST.
2	15475231	COPERCHIO MICRO 250 PLA.	PLASTIC COVER MICRO 250	COUVERCLE MICRO 250 PLASTIQUE	MIKRO DECKEL 250 PLAST.	TAPA MICRO 250 PLAST.
3	15475260	SCONTRO SP	STRIKER PLATE SP	BUTEE SP	ANSCHLAG STREUER	ELEMENTO DE EMPALME SP
4	15475271	SUPPORTO MICRO	MICRO SUPPORT	SUPPORT MICROGRANULATEUR	HALTERUNG MICRO	SOPORTE MICRO
5	15870250	TUBO DISCESA MICRO	PIPE MICRO DESCENT	TUBE DESCENTE MICRO	SENKROHR MIKRO	TUBO DESCENSO MICRO
6	15475380	ATTACCO AL 3°P.BARRA MICRO	MICRO BAR 3-POINT COUPLING	ATTELAGE AU 3° P. BARRE MICRO	KUPPLUNG AM 3[PUNKT STANGE MIK	CONEXIN AL 3P.BARRA MICRO OP
6	16670240	TIRANTE BARRA MICRO S.SPANDI	S. FERTILISER SPREADER MICRO B	TRINGLE BARRE MICRO S. EPANDEU	SPANNSTANGE MIKRO STANGE S. Ds	TIRANTE BARRA MICRO S. ABONADO
7	15475411	SUPP.BARRA MICRO M.S.SPAN.	M.S. FERTILISER SPREADER MICRO	SUPPORT BARRE MICRO M.S. EPAND	MIKRO SPINDELHALTERUNG M.S. Ds	SOPORTE BARRA MICRO M.S. ABONA
8	18903180	MOLLA CONVOGLIATORE MICRO	MICRO CONVEYOR SPRING	RESSORT CONVOYEUR MICRO	FEDER MIKRO FTRDERER	MUELLE CONDUCTOR MICRO
9	18903190	MOLLA DISCESA MICRO	MICRO DESCENT SPRING	RESSORT DESCENTE MICRO	SENKFEDER MIKRO	MUELLE DESCENSO MICRO
10	19002580	RACCORDO FINALE CONCIMAZ.PNEUM	PNEUMAT. MAN. SPR. END UNION	RACCORD FINAL FUMAGE PNEUMAT.	ENDANSCHLUSS PNEUM. DsNGUNG	UNIN FINAL DE ABONAD. NEUMAT.R
11	20890078	PIASTRA DI COLLEGAMENTO	CONNECTION PLATE	PLAQUE DE RACCORD	VERBINDUNGSPLATTE	PLACA DE CONEXIN P
12	20890079	PIASTRA DI CHIUSURA	CLOSURE PLATE	PLAQUE DE FERMETURE	ABSCHLUSSPLATTE	PLACA DE CIERRE
13	20890081	ASSE DISTRIB.MICRO L.445	MICRO DISTR. SPINDLE- L. 445	AXE DISTRIBUTEUR MICRO L. 445	MIKRO STREUERACHSE L 445	EJE DISTRIB.MICRO L.445
14	20890089	REGOLATORE DI APERTURA	OPENING REGULATOR	REGULATEUR D'OUVERTURE	TFFNUNGSEINTELLER	REGULADOR DE ABERTURA
15	20890135	DISTRIB.NYLON COMPL.E SCIVOLO	DISTRIB. NYLON ASSY. AND CHUTE	MINIMAX COMPL 20C MICRO	SZAPPARAT NYLON KOMPL. UND RUT	DISTRIB.NYLON COMPL.Y PLANO IN
16	20890151	VITE-SCALA GRADUATA	GRADUATED SCALE BOLT	VIS-EHELLE GRADUEE	SCHRAUBE - GRADSKALA	TORNILLO - ESCALA GRADUADA
17	20890158	DOSATORE MICRO COMPL.	ROTOR DIST. MICRO 20 GROOVES	ROTOR DOSEUR 20C MICRO	DOSIERER MIKRO KOMPL. 20 SEKT	DOSIFICADOR MICRO COMPL.20 SEC
18	20890194	ASSE AGITATORE SERB.MICRO 250	STIRRER SPINDLE- MICRO TANK 25	AXE AGITATEUR RESERVOIR MICRO	SAMENMISCHERACHSE BEH.MIKRO 25	EJE AGITADOR DEPS. MICRO 250 A
19	20890211	KIT INGRANAGGI DISTRIB.MICRO	KIT- MICRO. DISTR. GEARS	COUPLE CON DISTR MICRO (2+2)	KIT ZAHNRZDER MIKROSTREUER	SET ENGRANAJES DISTRIB.MICRO
20	44953500	ROND.PIANA 4,3X 16X1,5 6593 ZN	FLAT WASHER 4-3X 16X1-5 6593 G	ROND.PLATE 4-3X 16X1-5 6593 ZN	SCHIBE 4-3X 16X1-5 6593 ZN	ARAND. PLANA 4-3X 16X1-5 6593
21	22220073	RONDELLA 28X0,3X16,5	WASHER 28X0-3X16-5	RONDELLE 28X0-3X16-5	UNTERLEGSCHIBE 28X0-3X16-5	ARANDELA 28X0-3X16-5
22	22250272	CAVALLOTTO SUPP.DISCO SV	DISK SUPPORT.ELEMENT U BOLT SV	CAVALIER SUPPORT DISQUE SV	VERBINDUNG SCHEIBENHALTERUNG S	PERNO EN U SOP. DISCO SV
23	22500068	CAVALLOTTO M 14	M 14 U BOLT	CAVALIER M 14	VERBINDUNG M 14	PERNO EN U M 14
24	15110091	SCONTRO A U	STRIKER	BRIDE 150 MM	ANSCHLAG	ELEMENTO DE EMPALME
25	41601101	VITE 14 X160 5737 8.G	BOLT M 14 X160 5737 8.G	VIS M 14 X160 5737 8.G	SCHRAUBE M 14 X160 5737 8.G	TORNILLO M 14 X160 5737 8.G
26	41605012	VITE 6 X10 5739 8.G ZN	BOLT 6X10 5739 8.G GALVANIZED	VIS 6X10 5739 8.G ZN	SCHRAUBE 6X10 5739 8.G ZN	TORNILLO 6X10 5739 8.G ZN
27	41605015	VITE 6 X16 5739 8.G ZN	BOLT 6X16 5739 8.G GALVANIZED	VIS 6X16 5739 8.G ZN	SCHRAUBE 6X16 5739 8.G ZN	TORNILLO 6X16 5739 8.G ZN
28	41605041	VITE 10X25 5739 8.G ZN	BOLT 10X25 5739 8.G GALVANIZED	VIS 10X25 5739 8.G ZN	SCHRAUBE 10X25 5739 8.G ZN	TORNILLO 10X25 5739 8.G ZN
29	41982003	VITE 3,9X9,5 DIN 7981	BOLT 3-9X 9-5 DIN 7981	VIS 3-9X 9-5 DIN 7981	SCHRAUBE 3-9X 9-5 DIN 7981	TORNILLO 3-9X 9-5 DIN 7981
30	41983001	VITE 3,9X9,5 DIN 7982	BOLT 3-9X 9-5 DIN 7982	VIS 3-9X 9-5 DIN 7982	SCHRAUBE 3-9X 9-5 DIN 7982	TORNILLO 3-9X 9-5 DIN 7982
31	43530004	DADO 6 5588 6.8 ZN	NUT 6 UNI 5588 6.8 GALVANIZED	ECROU 6 UNI 5588 6.8 ZN	MUTTER 6 UNI 5588 6.8 ZN	TUERCA 6 UNI 5588 6.8 ZN
32	43530007	DADO 10 5588 6.8 ZN	SCREW 10 UNI 5588 6.8 GALVANIZ	ECROU 10 UNI 5588 6.8 ZN	MUTTER 10 UNI 5588 6.8 ZN	TUERCA 10 UNI 5588 6.8 ZN
33	43530009	DADO 14 5588 6.8 ZN	NUT 14 UNI 5588 6.8 GALVANIZED	ECROU 14 UNI 5588 6.8 ZN	MUTTER 14 UNI 5588 6.8 ZN	TUERCA 14 UNI 5588 6.8 ZN
34	43549003	DADO TRISTOP M10	NUT TRISTOP M10	ECROU TRISTOP M10	MUTTER TRISTOP M10	TUERCA TRISTOP M10
35	44953006	RONDELLA D14 UNI 6592 ZN	WASHER D14 UNI 6592 GALVANIZED	RONDELLE D14 UNI 6592 ZN	UNTERLEGSCHIBE D14 UNI 6592 Z	ARANDELA D14 UNI 6592 ZN
36	45961039	COPIGLIA 3 X15 1336 ZN	SPLIT PIN 3 X15 1336 GALVAN.	GOUPILLE 3 X15 1336 ZN	SPLINT 3 X15 1336 ZN	PASADOR 3 X15 1336 ZN
37	45961040	COPIGLIA 3 X20 1336 ZN	SPLIT PIN 3 X20 1336 GALVAN.	GOUPILLE 3 X20 1336 ZN	SPLINT 3 X20 1336 ZN	PASADOR 3 X20 1336 ZN
38	45961061	COPIGLIA 4 X25 1336 ZN	SPLIT PIN 4 X25 1336 GALVAN.	GOUPILLE 4 X25 1336 ZN	SPLINT 4 X25 1336 ZN	PASADOR 4 X25 1336 ZN
39	46966074	SPINA EL.5 X24 DIN 1481	PIN EL. 5 X24 DIN 1481	FICHE EL. 5 X24 DIN 1481	SPANNSTIFT 5 X24 DIN 1481	CLAVIJA EL.5 X24 DIN 1481
40	46966079	SPINA EL.5 X36 DIN 1481	PIN EL. 5 X36 DIN 1481	FICHE EL. 5 X36 DIN 1481	SPANNSTIFT 5 X36 DIN 1481	CLAVIJA EL.5 X36 DIN 1481
41	53229001	GUARNIZIONI LABBRO DE100	LIP GASKET DE100	GARNITURES LEVRE DE100	LIPPENDICHTUNG DE100	GUA DELANTERA G
42	62122003	FASCETTA STRING. 20/32	STRING FASTENING STRAPS 20/32	COLLIER DE SERRAGE 20/32	ROHRSCHELLE 20/32	ABRAZADERA APRET. 20/32
43	65336041	MOLLA SPEC.ZN STRINGITUBO M80	SPEC.SPRING ZN . PIPE CLAMP M8	RESSORT SPEC. ZN SERRE-TUBE M8	SPEZIALFEDER ZN ROHRSCHELLE M8	MUELLE SPEC. ZN APLASTA TUBOS
44	65336046	MOLLA SPEC.ZN SCIVOLO M80	SPEC SPRING ZN CHUTE M80	RESSORT SPEC. ZN LANCOIR M80	SPEZIALFEDER ZN RUTSCHE M80	MUELLE ESPEC. ZN PLANO INCLINA
45	22250240	DOSATORE COMPL. SV	ROTOR DIST. MICRO 8 GROOVES	ROTOR DOSEUR 8C MICRO	DOSIERER KOMPL. SV	DOSIFICADOR COMPL. SV
46	19702731	DECAL.TABELLA MICRO V99	V 99 MICRO CHART STICKER	DECALC. TABLEAU MICRO V 99	ABZIEHB. TABELLE MIKRO V 99	CAL.TABLA MICRO V 99
46	19702460	DECAL.TABELLA DISTRIB.UMOSTART	UMOSTART DISTRIBUTOR CHART STI	DECALC. TABLEAU DISTRIBUTEUR U	ABZIEHB. TABELLE SZAPPARAT UMO	CAL.TABLA DISTRIBUDOR UMOSTART
47	65338043	MOLLA COMP.ZN SERB. M80	ZN TANK COMP.SPRING M80	RESSORT COMPL. ZN RESERVOIR M8	DRUCKFEDER ZN BEHZLTER M80	MUELLE COMP.ZN DEPS. M80 A
48	66248119	RUOTA DENTATA Z-24 M80	GEAR-WHEEL Z-24 M80	ROUE DENTEE Z-24 M80	ZAHNRAD Z-24 M80	RUEDA DENTADA Z-24 M80
49	66248120	RUOTA DENT.FORO QUAD.Z-24 M80	GEAR-WHEEL- SQUARE HOLE- Z-24	ROUE DENTEE TROU CARRE Z-24 M8	RAD VERZAHNT VIERKANTLOCH.Z-24	RUEDA DENT.ORIFICIO CUAD.Z-24
50	66248121	BOCCOLA CON FLANGIA M80	BUSHING W/ FLANGE M80	SUPPORT AVEC BRIDE M80	BsCHSE MIT FLANSCH M80	CASQUILLO CON BRIDA M80
51	66248123	CORPO DISTRIBUZIONE M80	DISTRIBUTION CASING M80	CORPS DISTRIBUTION M80	VERTEILUNGSKTRPER	CUERPO DISTRIBUCIN M80 C
52	66248125	GHIERA REGOLAZIONE M80	ADJUSTMENT KNURLED NUT M80	BAGUE REGLAGE M80	EINSTELLMUTTER M80	CONTRATUERCA REGULACIN M80 G



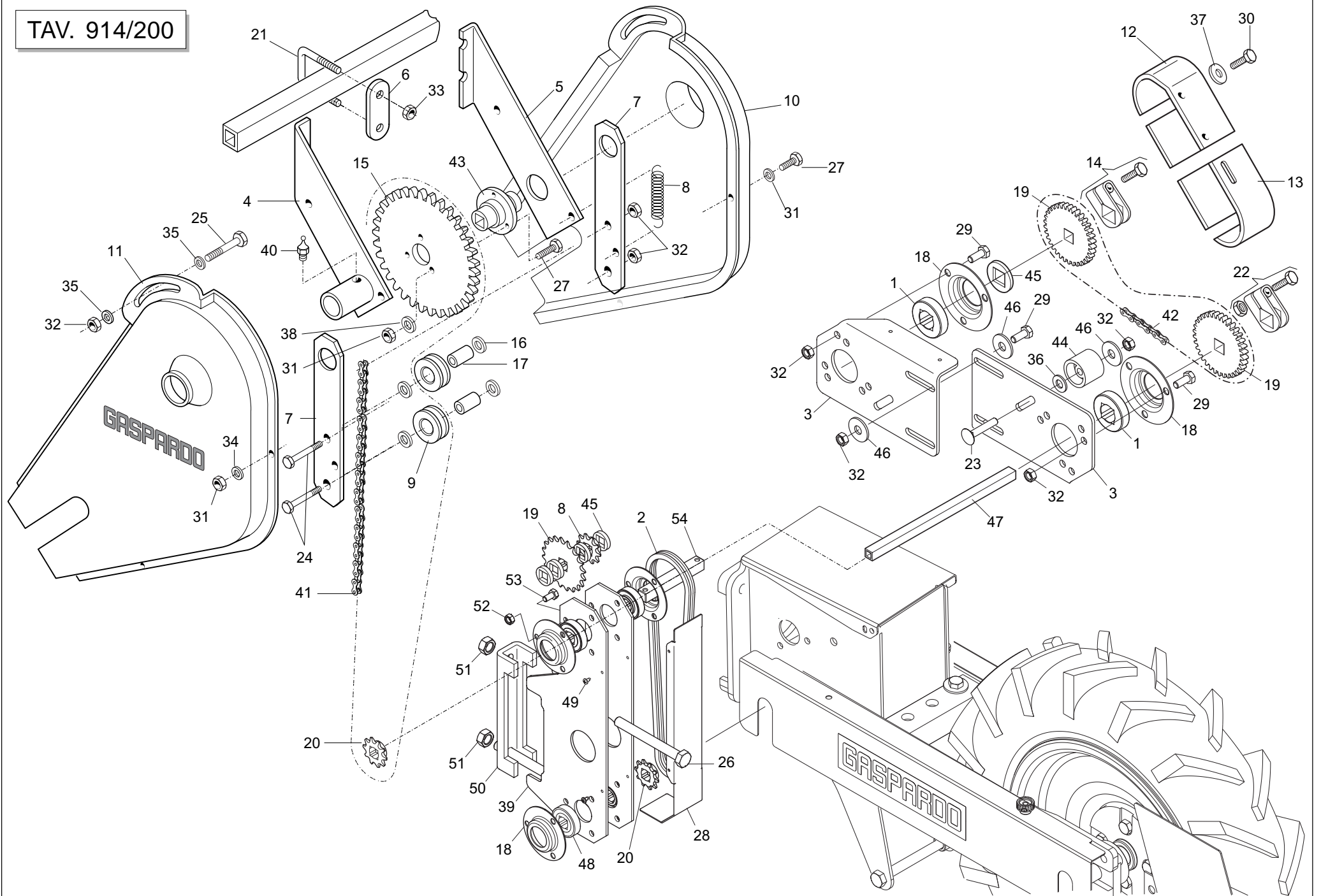
25 (tel. 100x150)  
58 (tel. 150x150)

# MICROGRANULATORE

TAV. 914/190

Pos.	Cod.	Descrizione	Description	Description	Benennung	Descripcion
53	66248126	SUPP.TRASMISSIONE M80	TRANSM.SUPPORT M80	SUPPORT ENTRAINEMENT M80	ANTRIEBSHALTERUNG M80	SOPORTE TRANSMISIN M80 S
54	66248138	COPERCHIO SUPP.TRASM. M80	TRANSMISSION SUPP. COVER M80	COUVERCLE SUPPORT ENTRAINEM.	DECKEL ANTRIEBSHALTERUNGS M80	TAPA SOP. TRANSM. M80
55	66248154	SCIVOLO DISTR. M80	CHUTE- DISTRIB. M80	ENTONNOIR DOSEUR MINIMAX MICRO	SAAPPARAT RUTSCHE M80	PLANO INCLINADO DISTR. M80
56	20970100	RONDELLA 30X0,5X22 ACC.	WASHER 30X0-5X22 ACC.	RONDELLE 30X0-5X22 ACIER	UNTERLEGSCHIEBE 30X0-5X22 ACC.	ARANDELA 30X0-5X22 ACC.
57	66248223	TAPPO SUPP.SPAND.D.11	PLUG MAN. SPR. SUPP. D.11	BOUCHON SUPPORT EP. ENGRAIS D.	HALTERUNGSPFROPFEN DsNGERSTR.	TAPN SOPORTE ABON.D.11 D
58	41602124	VITE 14X220 5737 8.G ZN	BOLT 14X220 5737 8.G GALVANIZ.	VIS 14X220 5737 8.G ZN	SCHRAUBE 14X220 5737 8.G ZN	TORNILLO 14X220 5737 8.G ZN
59	67008044	PUNTALE Q.35 NERO	TIP Q.35 BLACK	EXTREMITE Q. 35 NOIRE	STTSSELSCHAFT Q.35 SCHWARZ	PUNTAL Q.35 NEGRO
60	20890111	MANIC.UNIONE RINV.MICRO L.470	MICRO TRANSM.JOINT SLEEVE L.47	MANCHON RACCORD TRANSMISSION M	VERBINDUNGSMUFFE VORGELEGE MIK	MANGUITO EMPALME TRANSM. MICRO
60	20890112	MANICOTTO UNIONE MICRO L.1110	MICRO JOINT SLEEVE L.1110	MANCHON RACCORD MICRO L. 1110	VERBINDUNGSMUFFE MIKRO L1110	MANGUITO DE UNIN MICRO L.1110M
60	20890130	MANICOTTO UNIONE MICRO L.550	MICRO JOINT SLEEVE	MANCHON RACCORD MICRO L. 550	VERBINDUNGSMUFFE MIKRO L 550	MANGUITO DE UNIN MICRO L.550 M
60	20890201	MANICOTTO UNIONE MICRO L.440	MICRO JOINT SLEEVE L.440	MANCHON RACCORD MICRO L. 440	VERBINDUNGSMUFFE MIKRO L.440	MANGUITO DE UNIN MICRO L.440 M
60	20890202	MANICOTTO UNIONE MICRO L.690	MICRO JOINT SLEEVE L.690	MANCHON RACCORD MICRO L. 690	VERBINDUNGSMUFFE MIKRO L.690	MANGUITO DE UNIN MICRO L.690 M
60	20890203	MANICOTTO UNIONE MICRO L.1620	MICRO JOINT SLEEVE L.1620	MANCHON RACCORD MICRO L. 1620	VERBINDUNGSMUFFE MIKRO L.1620	MANGUITO DE UNIN MICRO L.1620M
60	20890205	MANICOTTO UNIONE MICRO L.250	MICRO JOINT SLEEVE L.250	MANCHON RACCORD MICRO L. 250	VERBINDUNGSMUFFE MIKRO L.250	MANGUITO DE UNIN MICRO L.250 M
61	67008061	TAPPO FILETTATO SERB.MICRO	MICRO TANK THREADED PLUG	BOUCHON FILETE RESERV.MICRO	GEWINDEPFROPFEN MIKROBEH.	TAPN ROSCADO DEPS.MICRO DO

TAV. 914/200

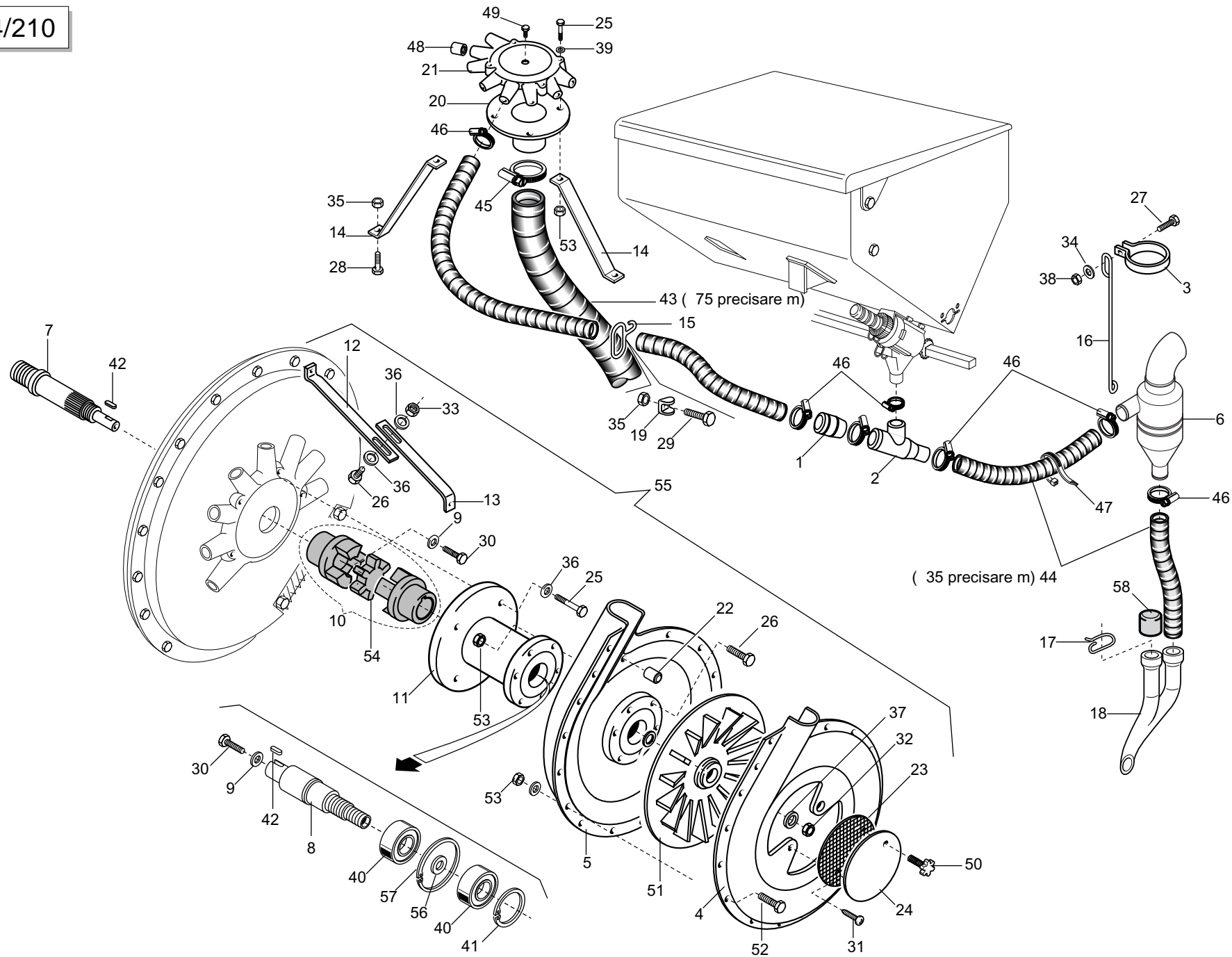




# TRASMISSIONE SPANDICONCIME E MICROGRANULATORE

TAV. 914/200

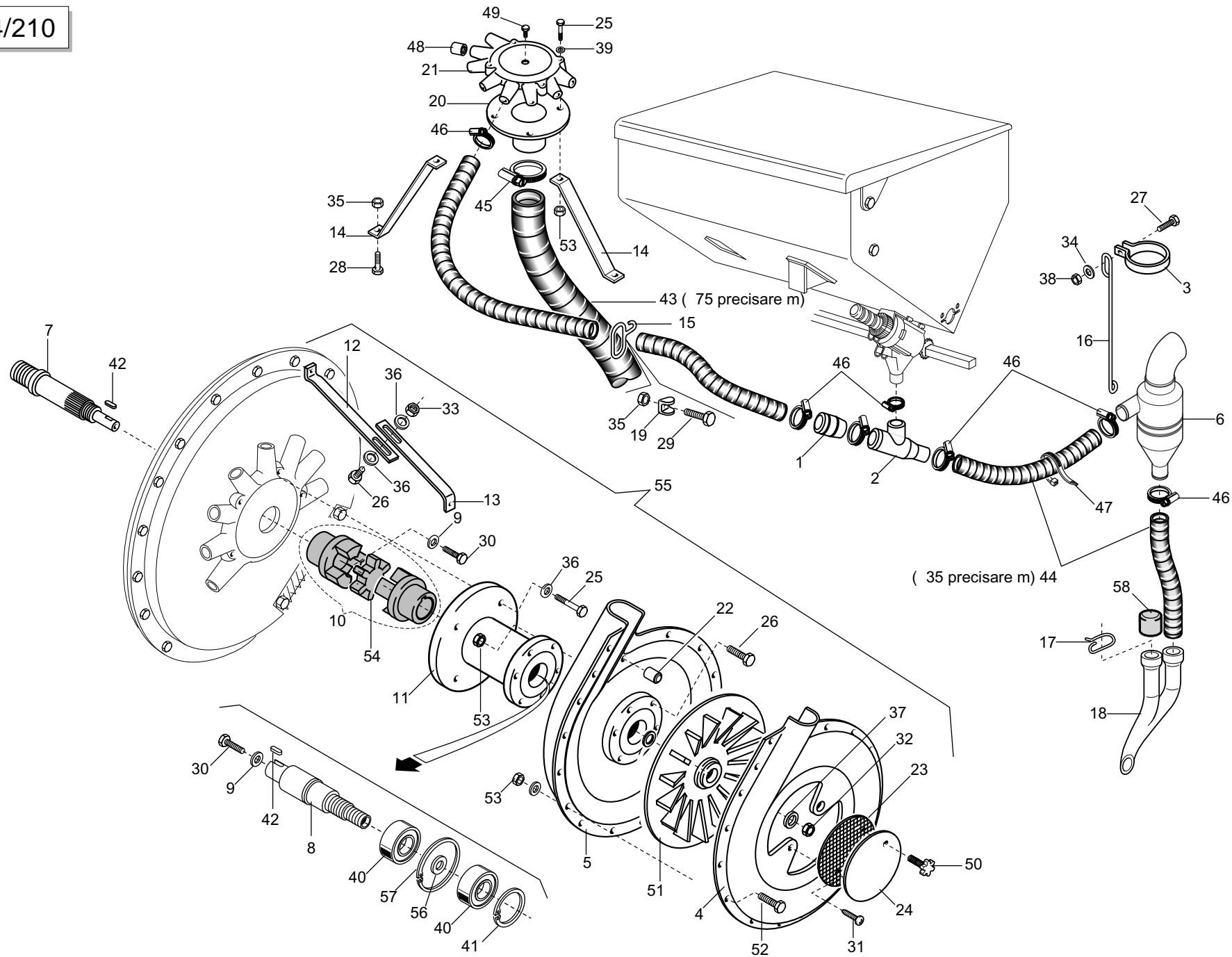
Pos.	Cod.	Descrizione	Description	Description	Benennung	Descripcion
1	14830390	CUSCINETTO FORO QUADRO	SQUARE-HOLED BEARING	ROULEMENT AL+SAGE CARR+	VIERKANTLAGER	COJINETE ORIFICIO CUADRADO
2	57158066	AN.CAT.1/2 ISO 083 66 MAGLIE	CHAIN 1/2 ISO 083 66 LINKS	CHAINE 1/2 ISO 083 66 MAILLES	KETTE 1/2 ISO 083 66 GLIEDER	CADENA 1/2 ISO 083 66 ESLABNEL
3	15470851	FIANCO SUPP.TRASM.SPANDI	SPREADER TRANSM. SIDE SUPPORT	COTE SUPPORT TRANSM. EPAND.	SEITEN HALTER. ANTRIEB DUNGERS	COSTADO SOPORTE TRANSM. ABONAD
4	15475031	SUPPORTO TRASMISSIONE SX	LEFT TRANSMISSION SUPPORT	SUPPORT ENTRAINEMENT GCH	HALTERUNG GETRIEBE LI	SOPORTE TRANSMISIN IZQ S
5	15475041	SUPPORTO TRASMISSIONE DX	RIGHT TRANSMISSION SUPPORT	SUPPORT ENTRAINEMENT DRT	HALTERUNG GETRIEBE RE	SOPORTE TRANSMISIN DER S
6	15475260	SCONTRO SP	STRIKER PLATE SP	BUTEE SP	ANSCHLAG STREUER	ELEMENTO DE EMPALME SP
7	15475310	SUPPORTO RULLINI TENDIC. MICRO	MICRO CHAIN STRETCHER ROLLERS	SUPP. ROUETS TEND. CHAINE MICR	HALTERUNG KETTENSANNROLLEN	SOP. RODILLOS TENSOR CADENA MI
8	18902960	MOLLA TRAZ. TRASM.RUOTA ZN	TRANSMISSION TENSIONER SPRING	RESSORT TRACT. ENTRAIN. ROUE Z	ZUFEDER RADANTRIEB ZN	MUELLE TRAC. TRANSM.RUEDA ZN
9	19000091	ROCCETTO 2 META'	CHAIN TENSIONER	TENDEUR DE CHAINE 2 moitie	0	0
10	19002810	CARTER RINVIO MICRO DX	RIGHT MICRO TRANSM. CASE	CARTER TRANSM. MICRO DRT	VORGELEGEGEHZUSE MIKRO RE	CæRTER TRANSMISIN MICRO DER C
11	19002820	CARTER RINVIO MICRO SX	LEFT MICRO TRANSM. CASE	CARTER TRANSM. MICRO GCH	VORGELEGEGEHZUSE MIKRO LI	CæRTER TRANSMISIN MICRO IZQ C
12	19002830	CARTER TRASMISSIONE SUPERIORE	TOP TRANSMISSION CASE	CARTER ENTRAINEMENT SUPERIEUR	OBERES ANTRIEBSGEHZUSE	CæRTER TRANSMISIN SUPERIOR C
13	19002880	CARTER INFERIORE TRASM.SPAND.	BOTTOM SPREADER TRANSM. CASE	CARTER INFERIEUR TRANSM EPAND.	UNTER. ANTRIEBSGEHZUSE DsNG.GE	CæRTER INFER. TRANSMISIN ABONC
14	20890115	MORSETTO PLASTICA COMPL.	PLASTIC CLAMP SET	BORNE PLASTIQUE COMPL.	PLASTIKKLEMME KOMPL.	SUJETADOR PLæSTICO COMPL.
15	20890128	CORONA Z-42 SP	RING GEAR Z-42 SP	COURONNE Z-42 SP	KRANZ Z-42 SP	CORONA Z-42 SP
16	20970032	RONDELLA 32X4X8,5	WASHER 32X4X8-5	RONDELLE 32X4X8-5	UNTERLEGSSCHEIBE 32X4X8-5	ARANDELA 32X4X8-5
17	20980086	BOCCOLA DIST.D.8,5X16X31	BUSHING SPAC.. D.8-5X16X31	BOITE ENTRETOISE D. 8-5X16X31	VERTEILERBsCHSE D.8-5X16X31	CASQUILLO DIST. D.8-5X16X31
18	22230094	SUPPORTO CUSCINETTO	BEARING SUPPORT	SUPPORT PALIER	LAGERBsCHSE	SOPORTE COJINETE
19	22250007	INGR.CON MOZZO 1/2 Z-20 SV	GEARS- W/ HUB 1/2 Z-20 SV	ENGRENAGE 1/2 Z-20	ZAHNRAD MIT NABE 1/2 Z-20 SV	ENGRAN.CON PERNO 1/2 Z-20 SV
20	22250006	INGR.CON MOZZO 1/2 Z-10 SV	GEARS- W/ HUB 1/2 Z-10 SV	ENGRENAGE AVEC MOYEU 1/2 Z-10	ZAHNRAD MIT NABE 1/2 Z-10 SV	ENGRAN.CON PERNO 1/2 Z-10 SV
21	22250272	CAVALLOTTO SUPP.DISCO SV	DISK SUPPORT.ELEMENT U BOLT SV	CAVALIER SUPPORT DISQUE SV	VERBINDUNG SCHEIBENHALTERUNG S	PERNO EN U SOP. DISCO SV
22	22505085	FERMO ASSE IN LAMIERA	PLATE AXLE STOP	ARRET AXE EN TOLE	FESTSTELLVORRICHTUNG BLECHACHS	BLOQUEO EJE DE CHAPA
23	41182016	VITE 8 X45 5732 4.6 ZN	BOLT 8X45 5732 4.6 GALVANIZED	VIS 8X45 5732 4.6 ZN	SCHRAUBE 8X45 5732 4.6 ZN	TORNILLO 8X45 5732 4.6 ZN
24	41602027	VITE 8 X55 5737 8.G ZN	BOLT 8 X55 5737 8.G GALVANIZED	VIS 8 X55 5737 8.G ZN	SCHRAUBE 8 X55 5737 8.G ZN	TORNILLO 8 X55 5737 8.G ZN
25	41602030	VITE 8 X70 5737 8.G ZN	BOLT 8 X70 5737 8.G GALVANIZ	VIS 8 X70 5737 8.G ZN	SCHRAUBE 8 X70 5737 8.G ZN	TORNILLO 8X70 5737 8.G ZN
26	41602082	VITE 14X130 5737 8.G ZN	SCREW 14X130 5737 8.G GALVANIZ	VIS 14X130 5737 8.G ZN	SCHRAUBE 14X130 5737 8.G	TORNILLO 14X130 5737 8.G ZN
27	41605015	VITE 6 X16 5739 8.G ZN	BOLT 6X16 5739 8.G GALVANIZED	VIS 6X16 5739 8.G ZN	SCHRAUBE 6X16 5739 8.G ZN	TORNILLO 6X16 5739 8.G ZN
28	15875320	CARTER RINVIO	INTERMEDIATE CASE	CARTER TRANSMISSION	VORGELEGEGEHZUSE	CµRTER TRANSMISIN
29	41605029	VITE 8 X20 5739 8.G ZN	BOLT 8X20 5739 8.G GALVANIZED	VIS 8X20 5739 8.G ZN	SCHRAUBE 8X20 5739 8.G ZN	TORNILLO 8X20 5739 8.G ZN
30	41982002	VITE 4,2X25 DIN 7981	BOLT 4-2X25 DIN 7981	VIS 4-2X25 DIN 7981	SCHRAUBE 4-2X25 DIN 7981	TORNILLO 4-2X25 DIN 7981
31	43530004	DADO 6 5588 6.8 ZN	NUT 6 UNI 5588 6.8 GALVANIZED	ECROU 6 UNI 5588 6.8 ZN	MUTTER 6 UNI 5588 6.8 ZN	TUERCA 6 UNI 5588 6.8 ZN
32	43530006	DADO 8 5588 6.8 ZN	NUT 8 UNI 5588 6.8 GALVANIZED	ECROU 8 UNI 5588 6.8 ZN	MUTTER 8 UNI 5588 6.8 ZN	TUERCA 8 UNI 5588 6.8 ZN
33	43530007	DADO 10 5588 6.8 ZN	SCREW 10 UNI 5588 6.8 GALVANIZ	ECROU 10 UNI 5588 6.8 ZN	MUTTER 10 UNI 5588 6.8 ZN	TUERCA 10 UNI 5588 6.8 ZN
34	44953002	RONDELLA D6 UNI 6592 ZN	WASHER D6 UNI 6592 GALVANIZED	RONDELLE D6 UNI 6592 ZN	UNTERLEGSSCHEIBE D6 UNI 6592 ZN	ARANDELA D6 UNI 6592 ZN
35	44953003	RONDELLA D8 UNI 6592 ZN	WASHER D8 UNI 6592 GALVANIZED	RONDELLE D8 UNI 6592 ZN	UNTERLEGSSCHEIBE D8 UNI 6592 ZN	ARANDELA D8 UNI 6592 ZN
36	44953004	RONDELLA D10 UNI 6592 ZN	WASHER D10 UNI 6592 GALVANIZED	RONDELLE D10 UNI 6592 ZN	UNTERLEGSSCHEIBE D10 UNI 6592 Z	ARANDELA D10 UNI 6592 ZN
37	44953500	ROND.PIANA 4,3X 16X1,5 6593 ZN	FLAT WASHER 4-3X 16X1-5 6593 G	ROND.PLATE 4-3X 16X1-5 6593 ZN	SCHHEIBE 4-3X 16X1-5 6593 ZN	ARAND. PLANA 4-3X 16X1-5 6593
38	44957004	RONDELLA D6 DIN 6798 D.INT.ZN	WASHER D6 DIN 6798 D.INT.GALV.	RONDELLE D6 DIN 6798 D. INT. Z	UNT. SCHEIBE D6 DIN 6798 D. IN	ARANDELA D6 DIN 6798 D.INT.ZN
39	15875310	RINVIO TRASMISSIONE	TRANSMISSION DRIVE ASS.	GR. RENVOI TRANSMISSION	VORGELEGE ANTRIEB	CONJ. REENV-O TRANSMISI-N
40	47969001	INGRASS.A SFERE M6X1/A	SPHERE NIPPLE M6X1/A	GRAISSEUR A BILLES M6X1/A	KUGELFETTBSCHSE M6X1/A	ENGRAS. DE ESFERAS M6X1/A
41	57158005	SPEZ.CAT.1/2 ISO 083 98MAGLIE	CUT-DOWN CHAIN 1/2 ISO 083 98-	TR. CH. 1/2 ISO 083 98 MAILLE	KETTENZNGE 1/2 ISO 083 98 GL	TRECHO CADENA 1/2 ISO 083 98 E
42	57158030	CATENA 1/2-3/16 56 MAGLIE	CHAIN 1/2-3/16 56 LINKS.	CHAINE 1/2-3/16 56 MAILLES	KETTE 1/2-3/16 56 GLIEDER	CADENA 1/2-3/16 56 ESLABNE
43	66248152	MOZZO TRASM.MICRO M80	HUB - TRANSM. MICRO M80	MOYEU ENTRAINEMENT MICRO M80	ANTRIEBSNABE MIKRO M80	CUBO TRANSM. MICRO M80
44	66248207	TENDICATENA SPAND. SP-520	CHAIN TENSIONER	TENDEUR DE CHAINE EPAND. ENGR.	KETTENSANNNER DsNGERSTR. SP-52	TENSOR DE CADENA ABON. SP-520
45	66248218	RONDELLA DISTAN.SPAND.	MAN. SPR. SPACER WASHER	RONDELLE ENTRETOISE EP. ENGRAI	ABSTANDSCHEIBE DsNGERSTREUER	ARANDELA DISTAN.ABONAD.
46	44953503	ROND.PIANA 9X 24X2 6593 ZN	FLAT WASHER 9X 24X2 6593 GALV.	ROND. PLATE 9X 24X2 6593 ZN	SCHHEIBE 9X 24X2 6593 ZN	ARAND. PLANA 9X 24X2 6593 ZN
47	22230138	ASSE CAMBIO 4F.80-6F.45 L.1000	GEAR SPINDLE 4-ROW 80- 6-ROW.4	AXE BOITE DE VITESSE 4 RA	GETRIEBEACHSE 4 R. 80-6 R.45 L	EJE CAMBIO 4 FILAS. 80-6 FILAS
47	22230142	ASSE 4 FILE L.800	4-ROW SPINDLE L.800	AXE 4 RANGEES L. 800	ACHSE 4 REIHEN L. 800	EJE 4 FILAS L.800
47	22270049	ASSE 4F.85-6F.50 L.1260	4-ROW SPINDLE - 85-6-ROW-50 L.	AXE 4 RANGEES 85-6 RANGEES 50	ACHSE 4 REIHEN 85-6 REIH. 50	EJE 4 FILAS. 85-6 FILAS. 50 L.
48	10538351	CUSCINETTO F.Q. RIBASSATO	SQUARE HOLE BEARING	PALIER TROU CARRE	LAGER VIERKANTLOCH	COJINETE ORIFICIO CUADRADO
49	41982008	VITE 4,2X9,5 DIN 7981	BOLT 4-2X 9-5 DIN 7981	VIS 4-2X 9-5 DIN 7981	SCHRAUBE 4-2X 9,5 DIN 7981	TORNILLO 4-2X 9-5 DIN 7981
50	15110091	SCONTRO A U	STRIKER	BRIDE 150 MM	ANSCHLAG	ELEMENTO DE EMPALME
51	43529009	DADO 14 5588 6.8	NUT 14 UNI 5588 6.8	ECROU 14 UNI 5588 6.8	MUTTER 14 UNI 5588 6.8	TUERCA 14 UNI 5588 6.8
52	43529006	DADO 8 5588 6.8	NUT 8 UNI 5588 6.8	ECROU 8 UNI 5588 6.8	MUTTER 8 UNI 5588 6.8	TUERCA 8 UNI 5588 6.8
53	41604027	VITE 8 X16 5739 8.G	BOLT 8X16 5739 8.G	VIS 8X16 5739 8.G	SCHRAUBE 8X16 5739 8.G	TORNILLO 8X16 5739 8.G
54	15870380	ASSE TRASM.L.120	TRANSMISSION AXLE L120	AXE TRANSMISSION L.120	sBERTRAGUNGSACHSE L.120	EJE TRANSMISIN L 120 A



# CONCIMAZIONE PNEUMATICA

TAV. 914/210

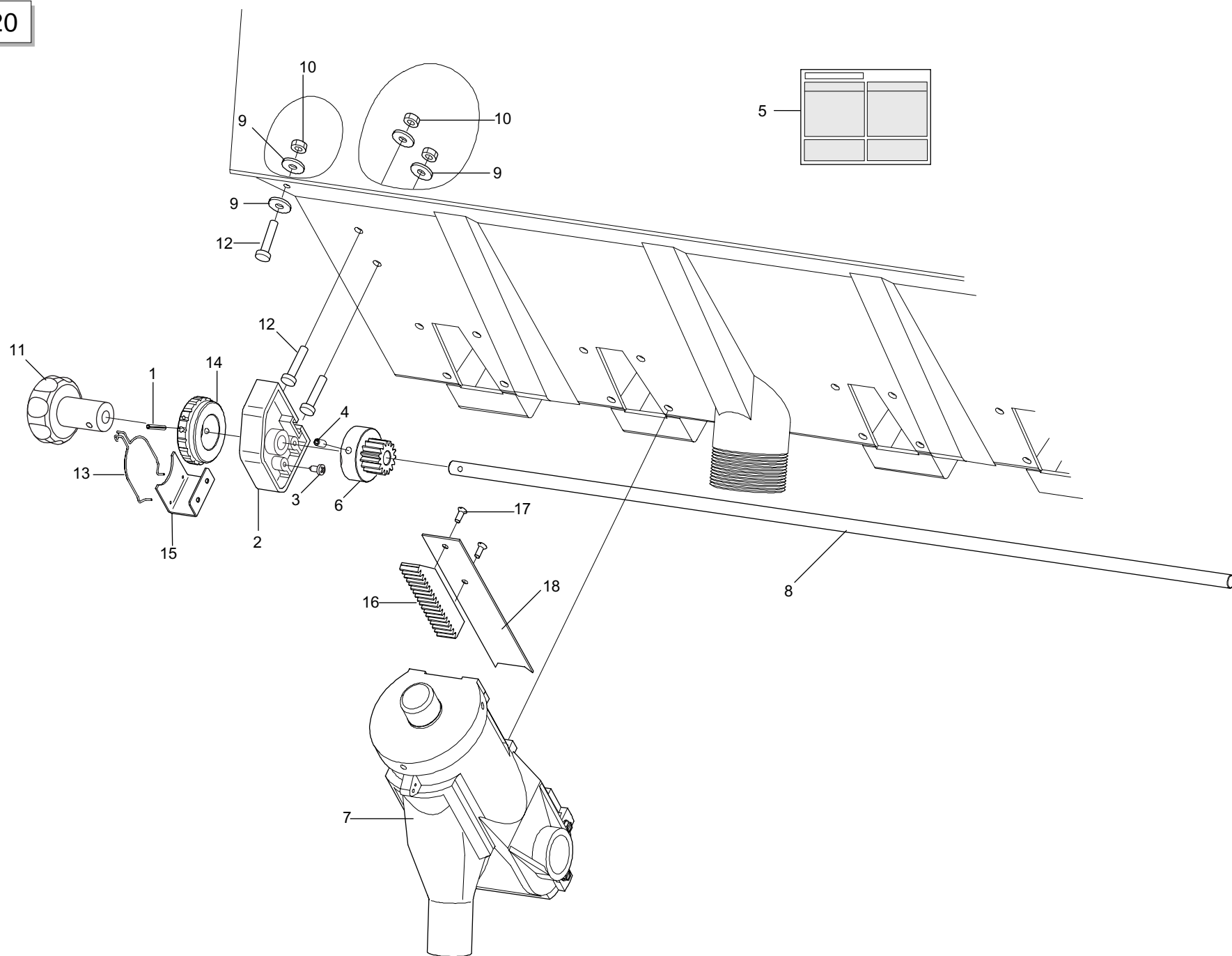
Pos.	Cod.	Descrizione	Description	Description	Benennung	Description
1	13912101	UGELLO CONCIMAZIONE PNEUMATICA	PNEUMATIC FERTIL. NOZZLE	BUSE FUMAGE PNEUMATIQUE	DsSE PNEUMATISCHE DsNGUNG	BOQUILLA DE ABONO NEUMATICA
2	13912131	TUBO CONCIMAZIONE PNEUMATICA	PIPE PNEUMATIC FERTILISATION	TUBE FUMAGE PNEUMATIQUE	ROHR PNEUMATISCHE DsNGUNG	TUBO DE ABONO NEUMAT.
3	13912350	FASCETTA VASO ESPANSIONE	EXPANSION CHAMBER CLAMP	COLLIER VASE EXPANSION	SCHELLE EXPANSIONSGEFZSS	ABRAZADERA DEPOSITO DE EXPANSIF
4	13912460	COPRIVENTOLA LATO SCHIENALE	BACK FAN PROTECTION	PROTECTION ROTOR DOSSIER	RUECKENLAUFRADSCHUTZ	PROTECCIN VENTILADOR RESPALDOA
5	13912470	COPRIVENTOLA LATO MOTORE	MOTOR FAN PROTECTION	PROTECTION ROTOR MOTEUR	MOTORLAUFRADSCHUTZ	PROTECCIN VENTILADOR MOTOR A
6	13912512	VASO ESPANSORE D.35-50	D.35-50 EXPANSION TANK	VASE EXPANSION D.35-50	EXPANSIONSGEFZSS D.35-50	DEPOSITO DE EXPANSIN D.35-50
7	15450390	PULEGGIA CONDOTTA	DRIVEN PULLEY D.28	POULIE ENTRAINEE D. 28	GETRIEBENE SCHEIBE D.28	POLEA CONDUCCIDA D.28
8	15450400	PULEGGIA CONCIMAZ.PNEUMATICA	DRIVEN PULLEY	POULIE ENTRAINEE	GETRIEBENE SCHEIBE	POLEA CONDUCCIDA
9	15450410	RONDELLA X GIUNTO ELASTICO	LOCK WASHER	RONDELLE DE BLOCAGE	SPERRSCHEIBE	ARANDELA DE BLOQUEO
10	15450420	GIUNTO ELASTICO LAVORATO	LOCK COUPLING	JOINT DE BLOCAGE	SPERRKUPPLUNG	JUNTA DE BLOQUEO
11	15450431	FLANGIA SUPP.CONC.PNEUM.	FLANGE SUPPORT	BRIDE SUPPORT	LAGERFLANSCH	BRIDA DE SOPORTE
12	15470410	RINFORZO ANTERIORE	FRONT REINFORCEMENT	REINFORCEMENT AVANT	VORDERE VERSTZRKUNG	REFUERZO DELANTERO
13	15470420	RINFORZO POSTERIORE	REAR REINFORCEMENT	REINFORCEMENT ARRIERE	HINTERE VERSTZRKUNG	REFUERZO TRASERO
14	15471471	SUPPORTO CONVOGLIATORE	CONVEYOR SUPPORT	SUPPORT CONVOYEUR	HALTERUNG FTRDERER	SOPORTE TRANSPORTADOR
15	18901960	GUIDATUBI PER 3 TUBI	PIPE GUIDE FOR 3 PIPES	GUIDE-TUBES POUR 3 TUBES	ROHRFSHRUNG FsR 3 ROHRE	GUA TUBOS PARA 3 TUBOS G
16	18902650	MOLLA SUPP.VASO ESPANSIONE	EXPANSION TANK SUPPORT SPRING	RESSORT SUPP. VAS EXPANSION	OB. FEDER EXPANSIONSGEFZSS	MUELLE SOP. DEPOSITO DE EXPANSA
17	18903180	MOLLA CONVOGLIATORE MICRO	MICRO CONVEYOR SPRING	RESSORT CONVOYEUR MICRO	FEDER MIKRO FTRDERER	MUELLE CONDUCTOR MICRO
18	19002580	RACCORDO FINALE CONCIMAZ.PNEUM	PNEUMAT. MAN. SPR. END UNION	RACCORD FINAL FUMAGE PNEUMAT.	ENDANSCHLUSS PNEUM. DsNGUNG	UNIN FINAL DE ABONAD. NEUMAT.R
19	22230264	RONDELLA TUBI DEPR.	AIR PUMP PIPE WASHER	RONDELLE TUBES DISPOSITIF DE D	UNTERLEGSSCHEIBE VAKUUMPUMPENRO	ARANDELA TUBOS BOMBA VACO. S
20	23440551	FLANGIA CONVOGLIATORE HL/ID	CONVEYOR FLANGE HL/ID	BRIDE CONVOYEUR HL/ID	FLANSCH FTRDERER HL/ID	BRIDA CONDUCTOR HL/ID
21	23440553	CONVOGLIATORE D.35 HL/ID	CONVEYOR- D.35 HL/ID	CONVOYEUR D. 35 HL/ID	FTRDERER D.35 HL/ID	CONDUCTOR D.35 HL/ID
22	23440562	DISTANZ.GUSCI SOFFIANTE HL/ID	BLOWER SHELL SPACER HL/ID	ENTRETOISE COQUES SOUFFLANTE H	DISTANZSTsCK SCHALEN GELBZSE H	DISTANC. CASCARAS SOPLAD. HL/I
23	23440563	GRIGLIA DI PROTEZIONE HL/ID	PROTECT. GRID HL/ID	GRILLE DE PROTECTION HL/ID	SCHUTZGITTER HL/ID	REJILLA DE PROTECCIN HL/ID G
24	23440564	COPERCHIO CHIUSURA SOFF. HL/ID	BLOWER CLOSING COVER . HL/ID	COUVERCLE FERMETURE SOUFFL. HL	ABSCHLUSSDECKEL GEBL. HL/ID	TAPA CIERRE SOPL. HL/ID
25	41602019	VITE 6 X75 5737 8.G ZN	BOLT 6 X75 5737 8.G GALVANIZ.	VIS 6 X75 5737 8.G ZN	SCHRAUBE 6 X75 5737 8.G ZN	TORNILLO 6x75 5737 8.G ZN
26	41605018	VITE 6 X20 5739 8.G ZN	BOLT 6X20 5739 8.G GALVANIZED	VIS 6X20 5739 8.G ZN	SCHRAUBE 6X20 5739 8.G ZN	TORNILLO 6X20 5739 8.G ZN
27	41605032	VITE 8 X30 5739 8.G ZN	BOLT 8X30 5739 8.G GALVANIZED	VIS 8X30 5739 8.G ZN	SCHRAUBE 8X30 5739 8.G ZN	TORNILLO 8X30 5739 8.G ZN
28	41605041	VITE 10X25 5739 8.G ZN	BOLT 10X25 5739 8.G GALVANIZED	VIS 10X25 5739 8.G ZN	SCHRAUBE 10X25 5739 8.G ZN	TORNILLO 10X25 5739 8.G ZN
29	41605042	VITE 10X30 5739 8.G ZN	BOLT 10X30 5739 8.G GALVANIZED	VIS 10X30 5739 8.G ZN	SCHRAUBE 10X30 5739 8.G ZN	TORNILLO 10X30 5739 8.G ZN
30	41724048	VITE 8X16 5933	BOLT 8X16 UNI5933 10.9 GALVANI	VIS 8X16 UNI 5933 10.9 ZN	SCHRAUBE 8X16 UNI 5933 10.9 ZN	TORNILLO 8X16 UNI 5933 10.9 ZN
31	41912002	VITE 5 X14 7688 ZN	BOLT 5 X14 7688 GALVANIZED	VIS 5 X14 7688 ZN	SCHRAUBE 5 X14 7688 ZN	TORNILLO 5 X14 7688 ZN
32	43442006	DADO AUTOB.NOR.10 ZN	NORM.SELF-LOCKING NUT 10 GALVA	ECROU AUTOB.NOR.10 ZN	SELBSTSP.MUTTER NOR. 10 ZN	TUERCA AUTOB. NOR. 10 ZN
33	43530004	DADO 6 5588 6.8 ZN	NUT 6 UNI 5588 6.8 GALVANIZED	ECROU 6 UNI 5588 6.8 ZN	MUTTER 6 UNI 5588 6.8 ZN	TUERCA 6 UNI 5588 6.8 ZN
34	43530006	DADO 8 5588 6.8 ZN	NUT 8 UNI 5588 6.8 GALVANIZED	ECROU 8 UNI 5588 6.8 ZN	MUTTER 8 UNI 5588 6.8 ZN	TUERCA 8 UNI 5588 6.8 ZN
35	43530007	DADO 10 5588 6.8 ZN	SCREW 10 UNI 5588 6.8 GALVANIZ	ECROU 10 UNI 5588 6.8 ZN	MUTTER 10 UNI 5588 6.8 ZN	TUERCA 10 UNI 5588 6.8 ZN
36	44953002	RONDELLA D6 UNI 6592 ZN	WASHER D6 UNI 6592 GALVANIZED	RONDELLE D6 UNI 6592 ZN	UNTERLEGSSCHEIBE D6 UNI 6592 ZN	ARANDELA D6 UNI 6592 ZN
37	44953004	RONDELLA D10 UNI 6592 ZN	WASHER D10 UNI 6592 GALVANIZED	RONDELLE D10 UNI 6592 ZN	UNTERLEGSSCHEIBE D10 UNI 6592 Z	ARANDELA D10 UNI 6592 ZN
38	44953503	ROND.PIANA 9X 24X2 6593 ZN	FLAT WASHER 9X 24X2 6593 GALV.	ROND. PLATE 9X 24X2 6593 ZN	SCHEIBE 9X 24X2 6593 ZN	ARAND. PLANA 9X 24X2 6593 ZN
39	44957004	RONDELLA D6 DIN 6798 D.INT.ZN	WASHER D6 DIN 6798 D.INT.GALV.	RONDELLE D6 DIN 6798 D. INT. Z	UNT. SCHEIBE D6 DIN 6798 D. IN	ARANDELA D6 DIN 6798 D.INT.ZN
40	51105405	CUSCINETTO 6204 2RS C3	BEARING 6204 2RS	PALIER 6204 2RS	LAGER 6204 2RS	COJINETE 6204 2RS
41	52121017	ANELLO ARR.20 UNI 7435-75	STOP RING 20 UNI 7435-75	BAGUE ARRET 20 UNI 7435-75	RING 20 UNI 7435-75	ANILLO PARADA 20 UNI 7435-75
42	55140005	LINGUETTA 6X6X20 UNI 6604	TAB 06X6X20 UNI6604	LANGUETTE 06X6X20 UNI6604	FEDERKEIL 06X6X20 UNI6604	LENGSËTA 06X6X20 UNI6604
43	61205005	TUBO FLESSIBILE PVC DI 75	FLEXIBLE PVC PIPE DI 75	TUBE FLEXIBLE PVC DI 75	75ER SCHLAUCH PVC	TUBO FLEXIBILE PVC DI 75
44	61209001	TUBO ASPIREX 35 COLORE NERO *	PLASTIC PIPE D.35 MM	TUYAU ASPIREX 35 COULEUR NOIR	ROHR KUNSTOFF D.35 MM	TUBO PLAST. D.35 MM
45	62122006	FASCETTA STRINGITUBO 77/95	PIPE CLAMP 77/95	COLLIER DE SERRAGE 77/95	ROHRSCHELLE 77/95	ABRAZADERA PARA MANGUERA 77/95
46	62122008	FASCETTA STRINGITUBO 25/40	PIPE CLAMP 25/40	COLLIER SERRE-TUBE 25/40	ROHRSCHELLE 25/40	ABRAZADERA PARA MANGUERA 25/40
47	62123003	FASCETTA POLYAMIDE 9X360 31919	POLYAMIDE FASTENING STRAPS 9X3	COLLIER POLYAMIDE 9X350 31919	SCHELLE POLYAMID 9X350 31919	ABRAZADERA POLIAMIDA 9X350 319
48	66248098	TAPPO CONVOGLIATORE DEPR. SP	AIR PUMP CONVEYOR PLUG SP	BOUCHON CONVOYEUR TURBINE SP	VAKUUM FTRDERPFROPFEN SP	TAPN CONDUCTOR DEPR. SP D
49	67007213	TAPPO MASCHIO 1/8 ESAGONO	1/8 MALE HEXAGON. PLUG	BOUCHON MALE 1/8 HEXAGONAL	GEWINDEPFROPFEN 1/8 SECHSKANT	TAPN MACHO 1/8 HEXÆGONO D
50	67008023	VOLANTINO M5 X 25 VPA/25	HANDWHEEL M5 X 25 VPA/25	VOLANT M5 X 25 VPA/25	HANDRAD M5 X 25 VPA/25	VOLANTE M5 X 25 VPA/25
51	67320001	VENTOLA PLASTICA DISCO L80M8	PLASTIC FAN- DISK L80M8	ROTOR PLASTIQUE DISQUE L80M8	SCHIBE PLASTIKRAD L80M8	VENTILADOR PLÆSTICO DISCO L80M
52	41602010	VITE 6 X30 5737 8.G ZN	BOLT 6 X30 5737 8.G GALVANIZED	VIS 6 X30 5737 8.G ZN	SCHRAUBE 6 X30 5737 8.G ZN	TORNILLO 6 X30 5737 8.G ZN
52	41605002	VITE 4 X12 5739 8.G ZN	SCREW 4X12 5739 8.G GALVANIZED	VIS 4X12 5739 8.G ZN	SCHRAUBE 4X12 5739 8.G ZN	TORNILLO 4X12 5739 8.G ZN
52	41605013	VITE 6 X12 5739 8.G ZN	BOLT 6X12 5739 8.G GALVANIZED	VIS 6X12 5739 8.G ZN	SCHRAUBE 6X12 5739 8.G ZN	TORNILLO 6X12 5739 8.G ZN



# CONCIMAZIONE PNEUMATICA

TAV. 914/210

Pos.	Cod.	Descrizione	Description	Description	Benennung	Descripcion
52	41605019	VITE 6 X25 5739 8.G ZN	BOLT 6X25 5739 8.G GALVANIZED	VIS 6X25 5739 8.G ZN	SCHRAUBE 6X25 5739 8.G ZN	TORNILLO 6X25 5739 8.G ZN
53	43442002	DADO AUTOB.NOR.4 ZN	NORM.SELF-LOCKING NUT 4 GALVAN	ECROU AUTOB.NOR.4 ZN	SELBSTSP. MUTTER NOR. 4 ZN	TUERCA AUTOB. NOR. 4 ZN
53	43549001	DADO TRISTOP M 6	NUT- TRISTOP M 6	ECROU TRISTOP M 6	MUTTER TRISTOP M 6	TUERCA TRISTOP M 6
54	58162014	ELEM.ELASTICO DEL GIUNTO 24.24	ELASTIC ELEMENT OF JOINT 24.24	ELEM. ELASTIQUE DU JOINT 24.24	ELAST. KUPPLUNGSELEM. 24.24	ELEM.ELÁSTICO DEL ACOPLAMIENTO
55	15473770	SOFFIANTE CONC.PNEUM.COMPL.	COMPL. FERTILIZER PNEUMATIC BL	SOUFFLEUR ENGRAIS PNEUMATIQUE	PNEUMATISCHES GEBLZSE KOMPL.	SOPLADOR ABONO NEUM-TICO COMPL
56	44959127	RONDELLA 20X28X2 DIN 988 >	WASHER 20X28X2 DIN 988	RONDELLE 20X28X2 DIN 988	UNTERLEGSCHEIBE 20X28X2 DIN 98	ARANDELA 20X28X2 DIN 988
57	52122038	ANELLO ARR.47 UNI 7437-75	STOP RING 47 UNI 7437-75	BAGUE ARRET 47 UNI 7437-75	RING 47 UNI 7437-75	ANILLO PARADA 47 UNI 7437-75
58	66248098	TAPPO CONVOGLIATORE DEPR. SP	AIR PUMP CONVEYOR PLUG SP	BOUCHON CONVOYEUR TURBINE SP	VAKUUM FTRDERPFROPFEN SP	TAPN CONDUCTOR DEPR. SP D

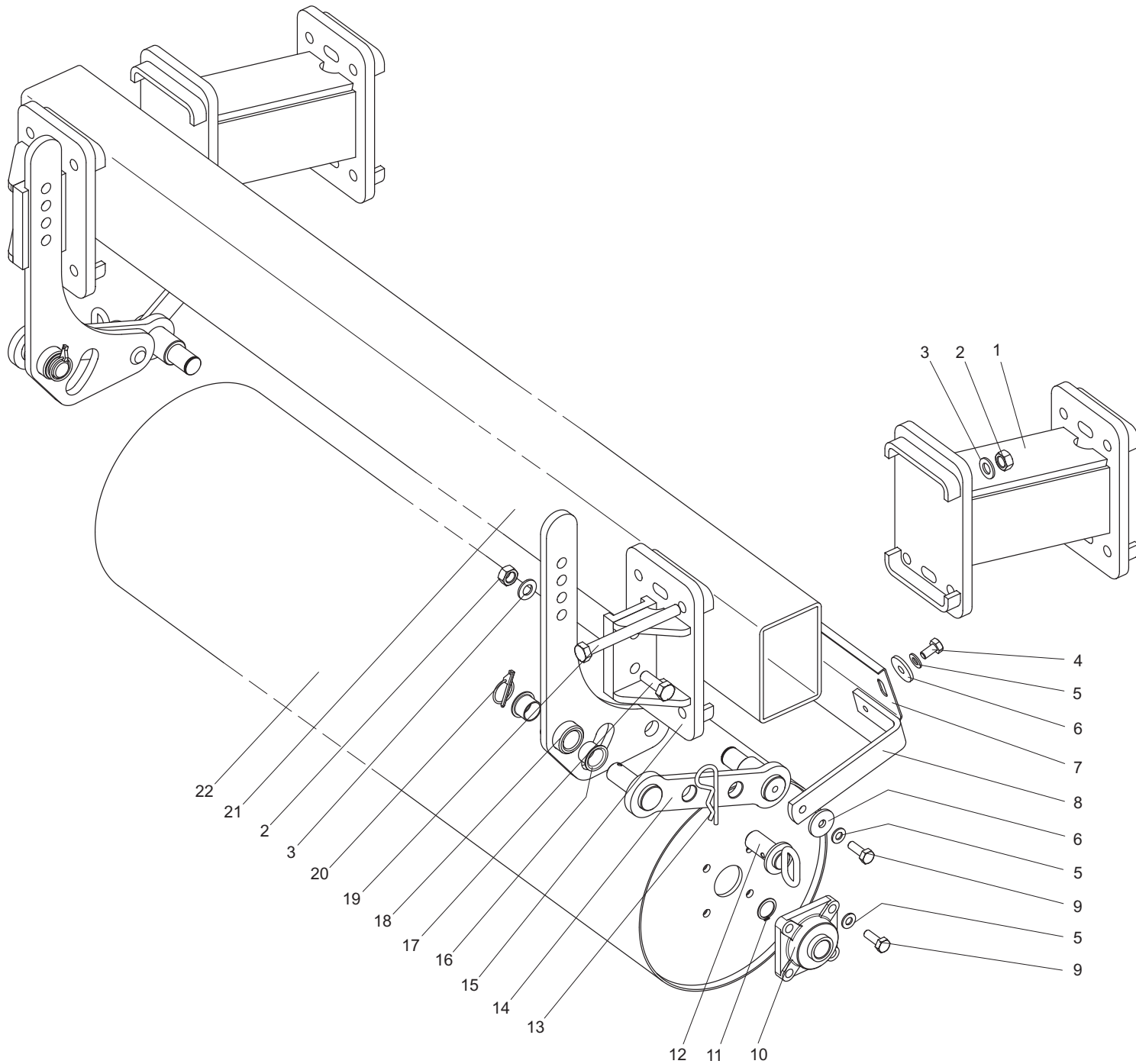


# REGOLAZIONE CENTRALIZZATA SPANDICONCIME (SPEEDY SET)

TAV. 914/220

Pos.	Cod.	Descrizione	Description	Description	Benennung	Descripcion
1	46966063	SPINA EL.4 X36 DIN 1481	PIN EL. 4X36 DIN 1481	GOUPILLE EL.4 X36 DIN 1481	SPANNSTIFT 4X36 DIN 1481	CLAVIJA EL.4 X36 DIN 1481
2	19003660	SUPPORTO	SUPPORT	SUPPORT	HALTERUNG	SOPORTE
3	41982003	VITE 3,9X9,5 DIN 7981	BOLT 3-9X 9-5 DIN 7981	VIS 3-9X 9-5 DIN 7981	SCHRAUBE 3-9X 9-5 DIN 7981	TORNILLO 3-9X 9-5 DIN 7981
4	41809023	GRANO 5 X12 5927 INOX	INOX GRUB-SCREW 5 X12 5927	GOUJON 5 X12 5927 INOX	STIFT 5 X12 5927 INOX	TORNILLO SIN CABEZA 5 X12 5927
5	?	#N/D	#N/D	#N/D	#N/D	#N/D
6	19003680	INGRANAGGIO Z.15	GEAR Z 15	ENGRENAGE Z 15	ZAHNRAD Z 15	ENGRANAJE Z 15
7	16670040	DISTR.COMPL.8PALE SPEEDY SET P	COMPL.PLA.SPEEDY SET DISTR.8R	MINIMAX COMPL 8C PLA SPEEDYSET	KOMPL.DOSIER.SPEEDY SET PLA.8S	DISTR.COMP.SPEEDY SET PLA.8AL.
7	13722330	DISTR.COMPL.8PALE SPEEDY SET F	COMPL.SPEEDY 8-BLADE DISTR. SE	DISTR.COMPL.8PALETTES SPEEDY S	SAATGUTAUS.8SCH.KOMPL.SPEEDY S	DISTR.COMPL.8PALETAS SPEEDY SE
8	16670320	TONDO D.10X780	D.10X780 ROUND	ROND D.10X780	RUNDEISEN D.10X780	BARRA REDONDA D. 10X780
8	16670330	TONDO D.10X1030	D.10X1030 ROUND	ROND D.10X1030	RUNDEISEN D.10X1030	BARRA REDONDA D. 10X1030
8	16670340	TONDO D.10X1230	D.10X1230 ROUND	ROND D.10X1230	RUNDEISEN D.10X1230	BARRA REDONDA D. 10X1230
8	16670350	TONDO D.10X1430	D.10X1430 ROUND	ROND D.10X1430	RUNDEISEN D.10X1430	BARRA REDONDA D. 10X1430
9	44953502	ROND.PIANA 6,6X 18X2 6593 ZN	FLAT WASHER 6-6X 18X2 6593 ZN	ROND. PLATE 6-6X 18X2 6593 ZN	SCHEIBE 6-6X 18X2 6593 ZN	ARAND. PLANA 6-6X 18X2 6593 ZN
10	43530004	DADO 6 5588 6.8 ZN	NUT 6 UNI 5588 6.8 GALVANIZED	ECROU 6 UNI 5588 6.8 ZN	MUTTER 6 UNI 5588 6.8 ZN	TUERCA 6 UNI 5588 6.8 ZN
11	19003670	MANOPOLA SPEEDY SET	SPEEDY HANDLE SET	POIGN+E SPEEDY SET	GRIFF SPEEDY SET	EMPUJADURA SPEEDY SET
12	41605015	VITE 6 X16 5739 8.G ZN	BOLT 6X16 5739 8.G GALVANIZED	VIS 6X16 5739 8.G ZN	SCHRAUBE 6X16 5739 8.G ZN	TORNILLO 6X16 5739 8.G ZN
13	65336055	MOLLA SPEC.REGOL.SPAND. SP	SPEC SPRING MAN. SPR. ADJUSTM.	RESSORT SPEC. REGL. EP. ENTRAJ	SPEZIALFEDER STREUEREINSTELLUN	MUELLE ESPEC. REGUL. ABONADORA
14	19003710	GHIERA REGOLAZIONE DX	RIGHT ADJUSTMENT KNURLED	BAGUE REGLAGE DROITE	EINSTELLMUTTER RE	CONTRATUERCA REGULACIN DER.
15	16670140	SUPPORTO MOLLA REGOLATORE	REGULATOR SPRING SUPPORT	SUPPORT RESSORT R+GULATEUR	HALTERUNG EINSTELLFEDER	SOPORTE MUELLE REGULADOR
16	19003690	CREMAGLIERA	RACK	CR+MAILL+RE	ZAHNSTANGE	CREMALLERA
17	41808001	VITE 4X10 6109 INOX A2	SCREW 4X10 6109 INOX A2	VIS 4X10 6109 INOX A2	SCHRAUBE 4X10 6109 INOX A2	TORNILLO 4X10 6109 INOX A2
18	16670100	REGOLATORE APERTURA	OPENING REGULATOR	0	0	REGULADOR DE ABERTURA

TAV. 914/230

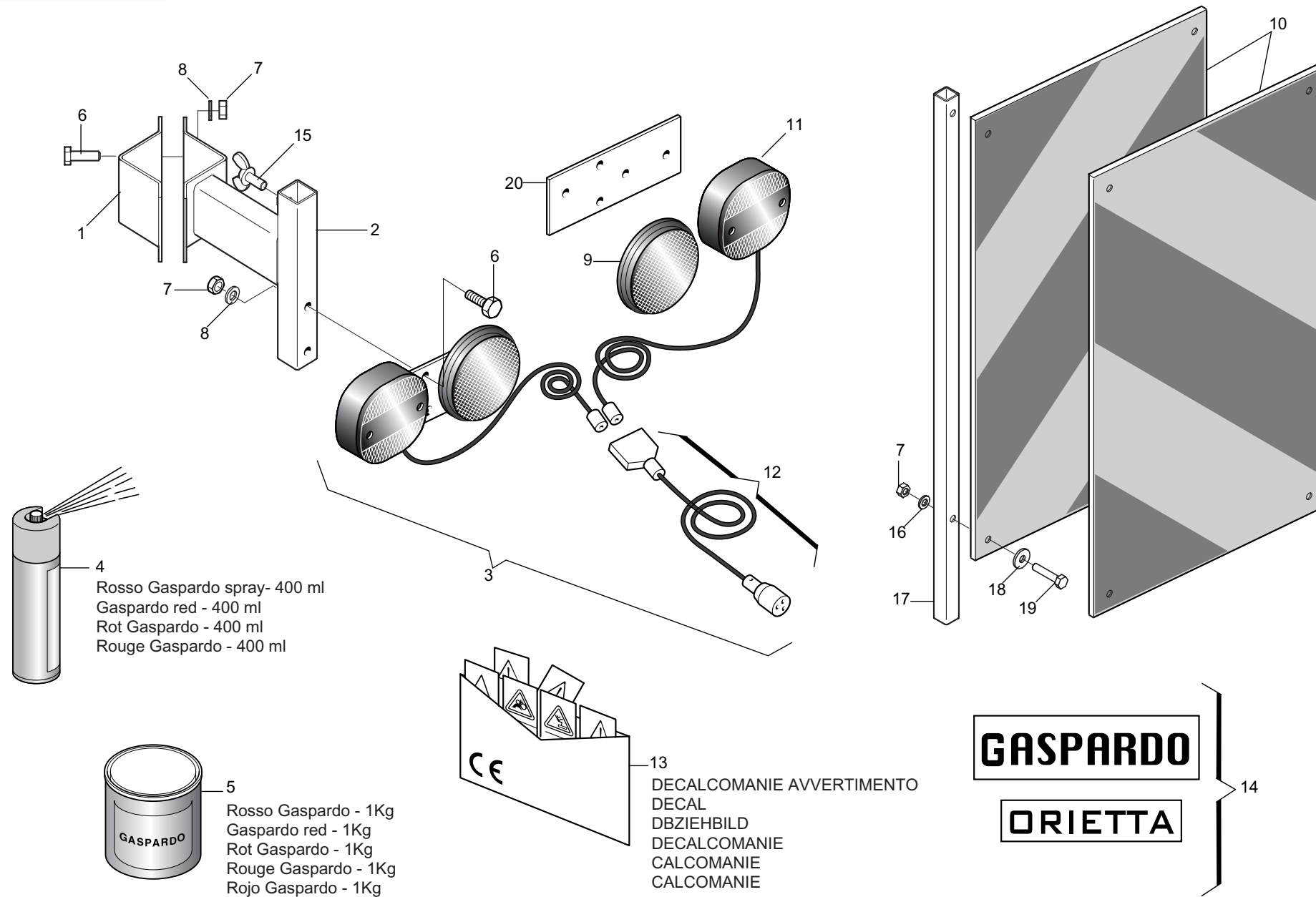




# RULLO ANTERIORE

TAV. 914/230

Pos.	Cod.	Descrizione	Description	Description	Benennung	Descripcion
1	15816370	DISTANZIALE TELAIO	FRAME SPACER ASS.	GR. ENTRETOISE BATI	DISTANZSTsCK RAHMEN	CONJ. DISTANCIADOR BASTIDOR
2	43530009	DADO 14 5588 6.8 ZN	NUT 14 UNI 5588 6.8 GALVANIZED	ECROU 14 UNI 5588 6.8 ZN	MUTTER 14 UNI 5588 6.8 ZN	TUERCA 14 UNI 5588 6.8 ZN
3	44953006	RONDELLA D14 UNI 6592 ZN	WASHER D14 UNI 6592 GALVANIZED	RONDELLE D14 UNI 6592 ZN	UNTERLEGSSCHEIBE D14 UNI 6592 Z	ARANDELA D14 UNI 6592 ZN
4	41605039	VITE 10X20 5739 8.G ZN	BOLT 10X20 5739 8.G GALVANIZED	VIS 10X20 5739 8.G ZN	SCHRAUBE 10X20 5739 8.G ZN	TORNILLO 10X20 5739 8.G ZN
5	44957007	RONDELLA D10 DIN 6798 D.INT.ZN	WASHER D10 DIN 6798 D.INT.ZN	RONDELLE D10 DIN 6798 D. INT.	UNT. SCHEIBE D10 DIN 6798 D.IN	ARANDELA D10 DIN 6798 D.INT.ZN
6	20970099	RONDELLA 38X4X11	WASHER 38X4X11	RONDELLE 38X4X11	UNTERLEGSSCHEIBE 38X4X11	ARANDELA 38X4X11
7	15810410	RASCHIATERRA PER RULLO 1500	SOIL SCRAPER FOR ROLLER 1500	RACLEUR ROULEAU 1500	ERDSHABER ROLLE 1500	RASCADOR DE TIERRA POR RODILLO
7	15810890	RASCHIATERRA PER RULLO 1800	SOIL SCRAPER FOR ROLLER 1800	RACLEUR ROULEAU 1800	ERDSHABER ROLLE 1800	RASCADOR DE TIERRA POR RODILLO
8	15810330	SUPPORTO RASCH.RULLO 355	ROLLER 355 SOIL SCRAPER SUPPOR	SUPPORT RACLEUR ROULEAU 355	HALTERUNG ERDSCHABER ROLLE 355	SOPORTE RASCADOR TIERRA RODILL
8	41605042	VITE 10X30 5739 8.G ZN	BOLT 10X30 5739 8.G GALVANIZED	VIS 10X30 5739 8.G ZN	SCHRAUBE 10X30 5739 8.G ZN	TORNILLO 10X30 5739 8.G ZN
8	51110008	SUPPORTO FY 25 TF	SUPPORT FY 25 TF	SUPPORT FY 25 TF	HALTERUNG FY 25 TF	SOPORTE FY 25 TF
8	52121022	ANELLO ARR.25 UNI 7435-75	STOP RING 25 UNI 7435-75	BAGUE DE SERRAGE 25 UNI 7435-7	DRAHTSPRENGRING 25 UNI 7435-75	ANILLO PARADA 25 UNI 7435-75
9	15810471	ASS.PERNO BLOCCAGGIO RULLO ZN	GALVAN. PIN BLOCK ROLLER	PIVOT BLOCAGE ROULEAU ZN	ZAPFEN ROLLEBLOCK ZN	PERNO BLOQUE RODILLO ZN
10	45963006	COPIGLIA R 5X100 ZN	SPLIT PIN R 5X100 GALVANIZED	GOUPILLE R 5X100 ZN	SPLINT R 5X100 ZN	PASADOR R 5X100 ZN
11	15810240	BRACCIO SUPPORTO RULLO	ROLLER SUPPORT ARM COUPLING	GR. BRAS SUPPORT ROULEAU	WALZENHALTERUNGSARM	CONJ. BRAZO SOP. RODILLO
12	15816380	ATTACCO RULLO	ROLLER COUPLING ASS.	GR. FIXATION ROULEAU	KUPPLUNG ROLLE	CONJ. CONEXIN RODILLO
13	51128012	BOCCOLA FLANG.25 X 28 X 20 >	COLLARED BUSH 25 X 28 X 20	BOITE COLLIER 25 X 28 X 20	ANSCHLUSSBUECHSE 25 X 28 X 20	CASQUILLO CONEX. 25 X 28 X 20
14	41602070	VITE 14X45 5737 8.G ZN *	BOLT 14X45 5737 8.G GALVANIZ.	VIS 14X45 5737 8.G ZN *	SCHRAUBE 14X45 5737 8.G ZN *	TORNILLO 14X45 5737 8.G ZN *
15	15810190	SUPPORTO RULLO	ROLLER SUPPORT ASS.	GR. SUPPORT ROULEAU	HALTERUNG ROLLE	CONJ. SOP. RODILLO
16	41602132	VITE 14X150 5737 8.G ZN	GALVAN. SCREW 14X150 5737 8.G	VIS 14X150 5737 8.G ZN	SCHRAUBE 14X150 5737 8.G ZN	TORNILLO 14X150 5737 8.G ZN
17	45965001	SPINA A SCATTO D 5 B/81	SNAP PIN D 5 B/81	FICHE A DETENTE D. 5 B/81	EINRASTSTIFT D 5 B/81	CLAVIJA DE MUELLE D 5 B/81
18	16610040	TUBO RET.150X100X1900	RECTANGULAR PIPE 150X100X1900	TUBE RECTANGULAIRE 150X100X190	RECHTECK.ROHR150X100X1900	TUBO RECT.150X100X1900
19	16610050	TUBO R.150X100X2480	RECTANGULAR PIPE 150X100X2480	TUBE RECT.150X100X6X2480	R. ROHR150X100X6X2480	TUBO RECT.150X100X6X2480
20	15810310	RULLO 355X1500	ROLLER 355X1500 ASS.	GR. ROULEAU 355X1500	ROLLE 355X1500	CONJ. RODILLO 355X1500
21	15810870	RULLO D.355X1800	ROLLER 355X1500 ASS.	GR. ROULEAU 355X1800	ROLLE 355X1800	CONJ. RODILLO 355X1800



# ACCESSORI

TAV. 914/240

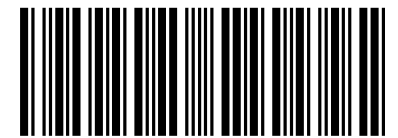
Pos.	Cod.	Descrizione	Description	Description	Benennung	Descripcion
1	15411260	FORCELLA LUCI ZN	OPENING FORK ZN	FOURCHE FEUX ZN	LICHTERGABEL ZN	HORQUILLA LUCES ZN
2	15412640	SUPPORTO KIT LUCI POST.	REAR LIGHT SUPPORT KIT	SUPPORT KIT FEUX ARRI+RE	HALTERUNG KIT HINT. LICHTER	SOPORTE KIT LUCES POST.
3	13616620	KIT LUCI PER MACCHINE PORTATE	LIGHT KIT FOR MOUNTED MACHINE	KIT FEUX POUR MACHINES PORT+ES	KIT LICHTER F_R FIRDERMASCHINE	KIT LUCES PARA M-QUINAS SUSPEN
4	20000000	SPRAY ROSSO GASPARDO DA 400 ML	GASPARDO RED SPRAY- 400ML	PULVERISATEUR ROUGE GASPARDO 4	ROTES SPRAY GASPARDO 400 ML	SPRAY ROJO GASPARDO DE 400 ML
5	20000001	ROSSO GASPARDO BARATTOLO KG 1	GASPARDO RED - 1 KG DRUM	VERNIS ROUGE 1 KG	GASPARDO ROT I-KG-DOSE	ROJO GASPARDO LATA 1 KG
6	41605015	VITE 6 X16 5739 8.G ZN	BOLT 6X16 5739 8.G GALVANIZED	VIS 6X16 5739 8.G ZN	SCHRAUBE 6X16 5739 8.G ZN	TORNILLO 6X16 5739 8.G ZN
7	43549001	DADO TRISTOP M 6	NUT- TRISTOP M 6	ECROU TRISTOP M 6	MUTTER TRISTOP M 6	TUERCA TRISTOP M 6
8	44957004	RONDELLA D6 DIN 6798 D.INT.ZN	WASHER D6 DIN 6798 D.INT.GALV.	RONDELLE D6 DIN 6798 D. INT. Z	UNT. SCHEIBE D6 DIN 6798 D. IN	ARANDELA D6 DIN 6798 D.INT.ZN
9	67004063	CATARIFRANGENTE TONDO D.80 >	D.80 ROUND REFLECTOR	CATADIOPTRE ROND D.80	RUNDER R_CKSTRAHLER D.80	PAPEL REFRACTARIO REDONDO D.80
10	67007358	N.2 PANNELLI CARICHI SPORGENTI	N[ JUTTING LOAD PANELS	N. 2 PANNEAUX CHARGES SAILLANT	N.2 TAFELN VORSPRINGENDE LADUN	2 PANELES CARGADOS SALIENTES
11	67007561	FANALE PER KIT LUCI	LAMP KIT LIGHTS COMPL.	FEU KIT ECLAIRAGE COMPL.	LAMPEN KIT LICHT KOMPL.	FAROL SET LUCES COMPL.
12	67201030	CABLAGGIO KIT LUCI	LIGHT WIRING HARNESS	CABLAGE KIT PHARES	VERKABELUNG LAMPENKIT	CABLEADO JUEGO LUCES
13	89900500	KIT DECALCOMANIE -CE-	DECAL KIT -CE-	KIT DECALCOMANIE -CE- K	IT ABZIEHB. -CE- S	ET CALCOMANAS -CE-
14	89900515	KIT DECALCOMANIE ORIETTA	ORIETTA DECAL KIT	KIT DECALCOM. ORIETTA	KIT ABZIEHB. ORIETTA	SET CALCOM. ORIETTA
15	41419001	VITE 8 X15 5449 5.8 ZN	BOLT 8X15 UNI 5449 5.8 GALVANI	VIS 8X15 UNI 5449 5.8 ZN	SCHRAUBE 8X15 UNI 5449 5.8 ZN	TORNILLO 8X15 UNI 5449 5.8 ZN
16	44953002	RONDELLA D6 UNI 6592 ZN	WASHER D6 UNI 6592 GALVANIZED	RONDELLE D6 UNI 6592 ZN	UNTERLEGSCHIEBE D6 UNI 6592 ZN	ARANDELA D6 UNI 6592 ZN
17	15412650	TUBO Q. 16X1,5X643 ZN	GALVAN. SQUARE 16X1,5X643	TUBE CARRE 16X1,5X643 ZN	ROHR Q. 16X1,5X643 ZN	TUBO CUADRADO 16X1,5X643 ZN
18	44953502	ROND.PIANA 6,6X 18X2 6593 ZN	FLAT WASHER 6-6X 18X2 6593 ZN	ROND. PLATE 6-6X 18X2 6593 ZN	SCHEIBE 6-6X 18X2 6593 ZN	ARAND. PLANA 6-6X 18X2 6593 ZN
19	41605020	VITE 6 X30 5739 8.G ZN	BOLT 6X30 5739 8.G GALVANIZED	VIS 6X30 5739 8.G ZN	SCHRAUBE 6X30 5739 8.G ZN	TORNILLO 6X30 5739 8.G ZN
20	13616570	PIASTRA SUPP.LUCI	LIGHTS SUPPORT PLATE	PLAQUE DE SUPPORT ECLAIRAGE	LICHTERHALTERUNGSPLATTE	PLACA SOPORTE LUCES

**USATE SEMPRE RICAMBI ORIGINALI  
ALWAYS USE ORIGINAL SPARE PARTS  
IMMER DIE ORIGINAL-ERSATZTEILE VERWENDEN  
EMPLOYEZ TOUJOURS LES PIECES DE RECHANGE ORIGINALES  
UTILIZAR SIEMPRE REPUESTOS ORIGINALES**

# **GASPARDO**

DEALER:

# **GASPARDO**



**\*19530510\***

**GASPARDO Seminatrici SpA**  
Via Mussons, 7 - I - 33075  
Morsano al Tagliamento (PN) Italy  
Tel. +39 0434 695410  
Fax +39 0434 695425  
e-mail: [gaspardo@gaspardo.it](mailto:gaspardo@gaspardo.it)  
<http://www.gaspardo.it>

**MASCHIO DEUTSCHLAND GMBH**  
Äußere Nürnberger Straße 5  
D - 91177 Thalmässing  
Deutschland  
Tel. +49 (0) 9173 79000  
Fax +49 (0) 9173 790079

**MASCHIO FRANCE Sarl**  
1, Rue de Mérignan ZA  
F - 45240 La Ferte St. Aubin  
France  
Tel. +33 (0) 2.38.64.12.12  
Fax +33 (0) 2.38.64.66.79

**MASCHIO IBERICA S.L.**  
Calle Cabernet, 10  
Poligono Industrial Clot de Moja  
Olerdola - 08734 Barcelona  
Tel. +34 93.81.99.058  
Fax +34 93.81.99.059

**MASCHIO USA**  
432 2<sup>ND</sup> Street  
Rock Island, IL 61201 USA  
Ph. +1 309 794-2310  
Fax +1 309 788-1610

**MASCHIO MIDDLE EAST S.L.**  
**MASCHIO-GASPARDO ROMANIA S.R.L.**  
**GASPARDO-MASCHIO TURCHIA**  
**MASCHIO-GASPARDO CANADA Inc**