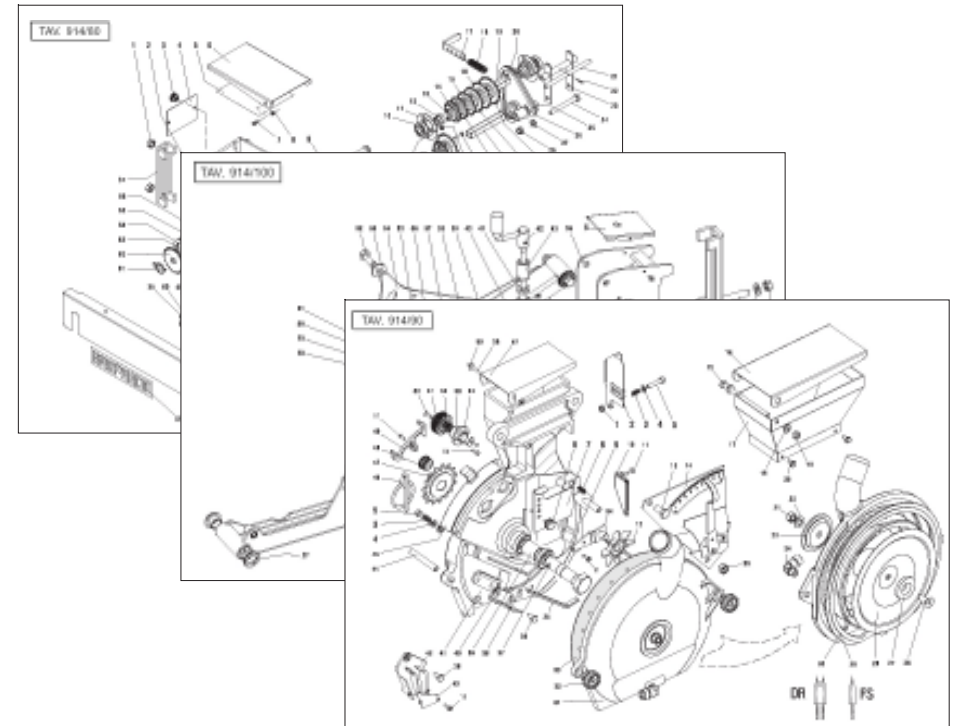


# GASPARDO

MASCHIO GASPARDO S.p.A.

# OLIMPIA ORIENTTA-C

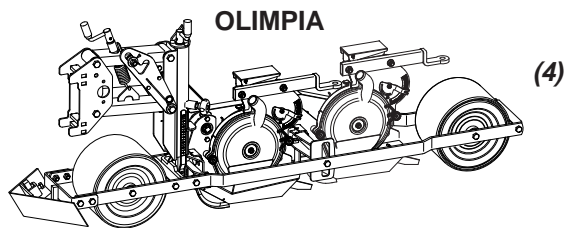
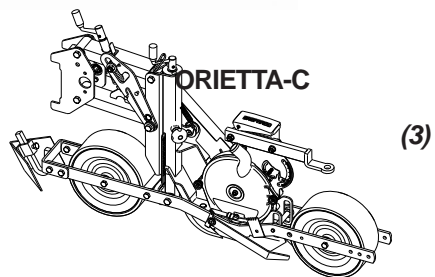


Cod: G19530933 2015-10

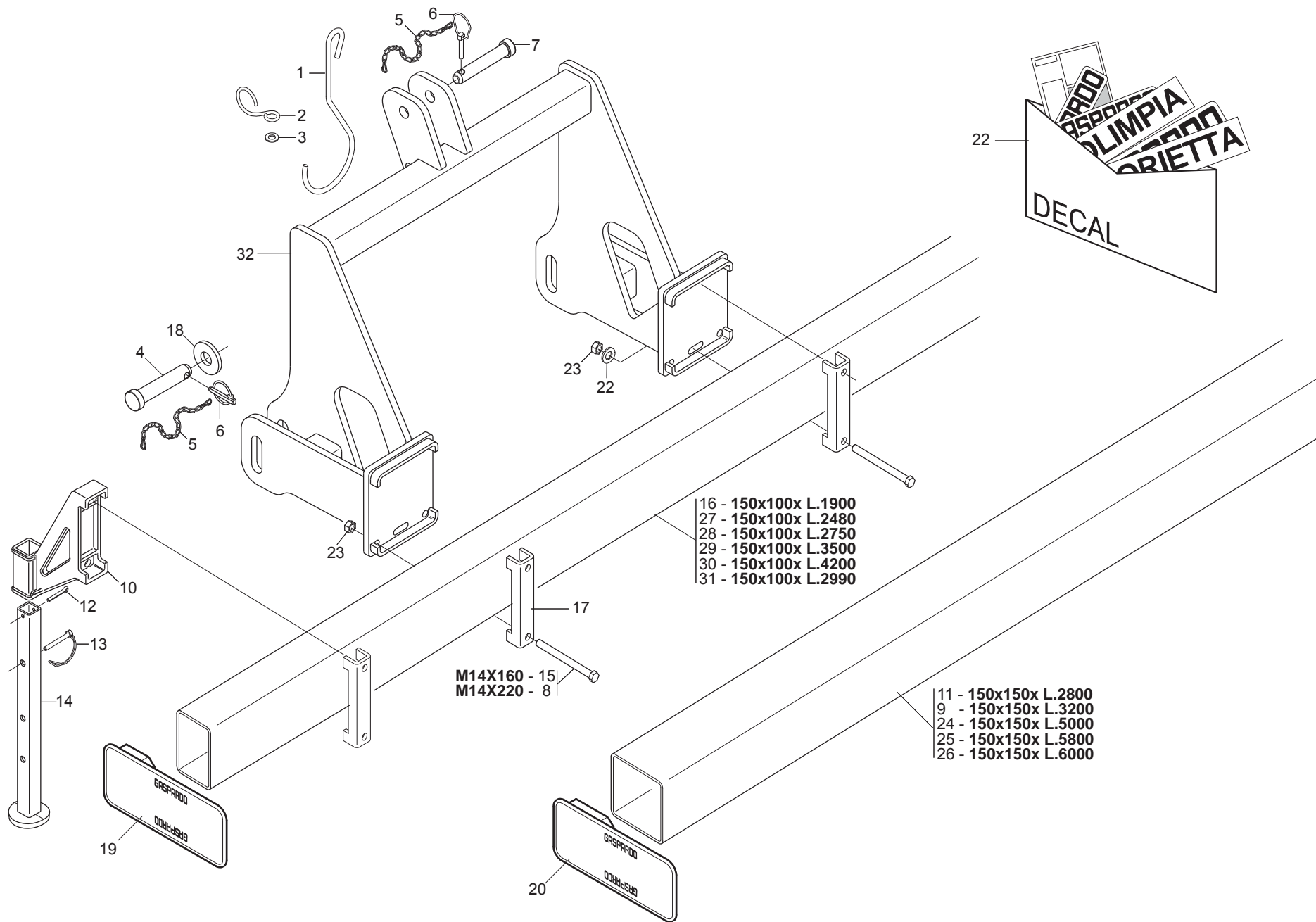
- \*) Valido per Paesi UE
- \*) Valid for EU member countries
- \*) Valable dans les Pays UE
- \*) Gilt für EU-Mitgliedsländer
- \*) Válido para Países UE

- IT** PARTI DI RICAMBIO
- EN** SPARE PARTS
- DE** ERSATZTEILE
- FR** PIÈCES DÉTACHÉES
- ES** PIEZAS DE REPUESTO

ITALIANO	ENGLISH	DEUTSCH	FRANÇAIS	ESPAÑOL
<b>PARTI DI RICAMBIO</b>	<b>SPARE PARTS</b>	<b>ERSATZTEILE</b>	<b>PIECES DÉTACHÉES</b>	<b>RESPUESTOS</b>
<p>Le ordinazioni delle parti di ricambio vanno fatte presso i nostri concessionari di zona e devono essere sempre corredate dalle seguenti indicazioni:</p> <ul style="list-style-type: none"> <li>- <b>Tipo, modello e numero di matricola dell'attrezzatura.</b> Tali dati sono stampigliati nell'apposita targhetta di cui è dotata ogni attrezzatura.</li> <li>- <b>Numero di codice della parte richiesta</b> rilevabile dal catalogo ricambi.</li> <li>- <b>Descrizione del particolare e quantità richiesta.</b></li> <li>- <b>Numero della tavola.</b></li> <li>- <b>Mezzo di trasporto.</b> Nel caso questa voce non sia specificata, la Ditta Costruttrice, pur dedicando a questo servizio una particolare cura, non risponde di eventuali ritardi di spedizione dovuti a cause di forza maggiore. Le spese di trasporto si intendono sempre a carico del destinatario. La merce viaggia a rischio e pericolo del committente anche se venduta franco destino.</li> </ul> <p><b>NOTA:</b> Il termine <b>(Dx) Destro</b> o <b>(Sx) Sinistro</b> della macchina o di parti di essa, è inteso guardando la macchina dalla parte posteriore. Le eccezioni saranno indicate.</p>	<p><i>Orders must be transmitted through our area dealers and should always include the following indications:</i></p> <ul style="list-style-type: none"> <li>- <b>Type, model and serial number of the machine.</b> <i>These data are punched on the data plate with which every implement is equipped.</i></li> <li>- <b>Code number of the required spare part.</b> <i>This will be found in the spare parts catalogue.</i></li> <li>- <b>Description of the part and required quantity.</b></li> <li>- <b>Table number.</b></li> <li>- <b>Means of dispatch.</b> <i>If this item is not indicated, the Manufacturer, while dedicating particular care to this service, shall not be held responsible for delays in delivery caused by cases of force majeure. Transport expenses shall always be at the consignee's charge. The goods travel at the purchaser's risk and peril even when sold ex destination.</i></li> </ul> <p><b>NOTE:</b> <i>The symbols (Dx) right and (Sx) left, concerning the machine or single parts of it, are referred, as in the figure, to a rear view of them. Exceptions will be indicated.</i></p>	<p>Die Bestellungen müssen bei unseren Gebietshändlern aufgegeben werden. Bei der Bestellung sind stets die folgenden Angaben zu machen:</p> <ul style="list-style-type: none"> <li>- <b>Typ, Modell und Serien-Nummer des Geräts.</b> Diese Daten stehen auf dem Typenschild, mit dem jedes Gerät versehen ist.</li> <li>- <b>Artikel Nr. der erforderlichen Ersatzteile.</b> Diese stehen im Ersatzteil-Katalog.</li> <li>- <b>Beschreibung des Ersatzteils und die erforderliche Stückzahl.</b></li> <li>- <b>Tafelnummer.</b></li> <li>- <b>Versandmittel.</b> Wenn dieser Punkt nicht spezifiziert wird, haftet die Herstellerfirma nicht für etwaigen Lieferverzug aufgrund höherer Gewalt, auch wenn er diesen Service besonders aufmerksam abwickelt. Die Frachtkosten gehen dagegen immer zu Lasten des Empfängers. Die Ware reist auf Gefahr und Risiko des Auftraggebers, auch wenn frei Haus Verkauft vereinbart worden ist.</li> </ul> <p><b>N.B.:</b> Die Merkzeichen <b>(Dx) rechts</b> und <b>(Sx) links</b> betreffen eine rückwärtige Aussicht der Maschine oder Teile von ihr (siehe Bild). Ausnahmen werden gezeigt.</p>	<p><i>Les ordres doivent être effectués auprès de nos concessionaires de zone en précisant les indications suivantes:</i></p> <ul style="list-style-type: none"> <li>- <b>Type, modèle et numéro de série de la machine.</b> <i>Ces données sont gravées sur la plaque d'identification de chaque outil.</i></li> <li>- <b>Numéro de code de la pièce détachée</b> indiqué sur le catalogue des pièces détachées.</li> <li>- <b>Description de la pièce et quantité requise.</b></li> <li>- <b>Numéro de plan.</b></li> <li>- <b>Moyen d'expédition.</b> <i>Si cette rubrique n'est pas indiquée, le Constructeur, bien que soucieux de ce service, ne répond pas des retards d'expédition pour des causes de force majeure. Les frais de transport sont toujours à la charge du destinataire. La marchandise voyage aux risques et périls de l'acheteur même si vendue franco de port.</i></li> </ul> <p><b>N.B.:</b> <i>Les références (Dx) droit et (Sx) gauche de la machine ou des parties de la même, est entendue, comme de la figure, en regardant la machine de derriere dans le sens de marche.</i></p>	<p>Los pedidos han de efectuarse en nuestros concesionarios de zona y deben incluir siempre las siguientes indicaciones:</p> <ul style="list-style-type: none"> <li>- <b>Tipo, modelo y número de matrícula del equipo.</b> Dichos datos están impresos en la relativa placa presente en el equipo.</li> <li>- <b>Número de código de la parte requerida</b> presente en el catálogo respuestas.</li> <li>- <b>Descripción de la pieza y cantidad requerida.</b></li> <li>- <b>Numero de ilustración.</b></li> <li>- <b>Medio de transporte.</b> En caso que este ítem no esté especificado, el Fabricante, aún prestando la debidas consideraciones para este aspecto, no responde por eventuales retardos de env'o debidos a causas de fuerza mayor. Los gastos de transporte se consideran siempre a cargo del destinatario. La mercadería viaja bajo riesgo y peligro del comprador, incluso cuando se vende franco destino.</li> </ul> <p><b>N.B.:</b> La refencia <b>(Dx) derecha</b> o <b>(Sx) izquierda</b> de la máquina o de sus componentes, se entiende, como en la figura, mirando la máquina por la parte trasera. Se indicarán las excepciones.</p>



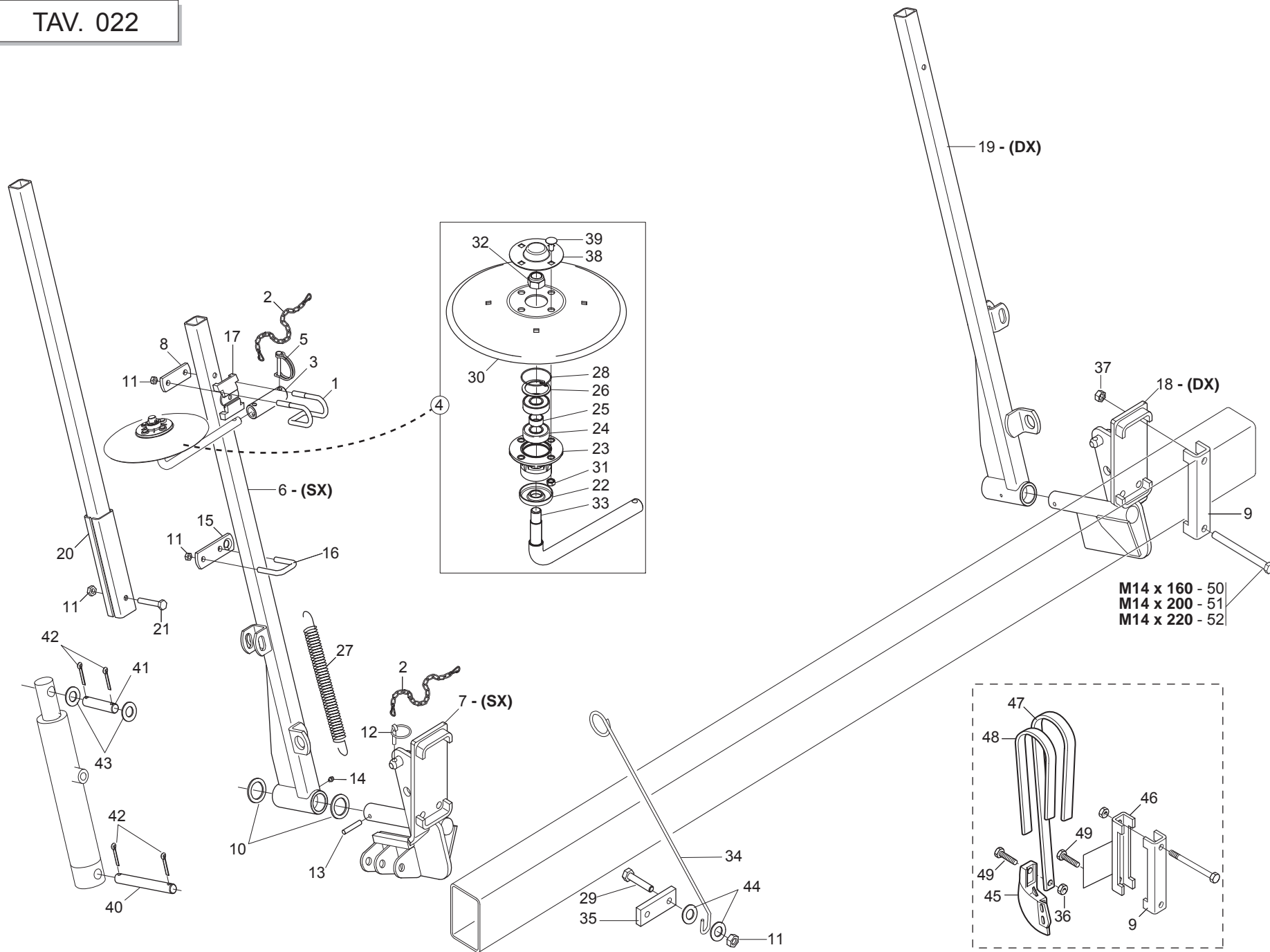
<b>Nr. Tav.</b>	<b>Descrizione - Description</b>	<b>Pag.</b>
(1) { TAV. 012	Telaio ed attacco 3 punti .....	4
TAV. 022	Segnafile .....	6
TAV. 033	Segnafile rinforzato .....	8
TAV. 043	Comando segnafile oleodinamico .....	10
TAV. 051	Comando segnafile meccanico .....	12
(2) { TAV. 272	Telaio pieghevole .....	14
TAV. 282	Impianto telaio pieghevole .....	16
TAV. 292	Segnafile per telaio pieghevole .....	18
TAV. 293	Segnafile per telaio pieghevole .....	20
TAV. 312	Impianto segnafile per telaio pieghevole .....	22
(3) { TAV. 092	Distributore semi .....	24
TAV. 102	Telaio elemeto .....	26
TAV. 113	Falciatori assoltatori .....	30
TAV. 123	Bilanciere e ruote di compressione .....	32
TAV. 132	Ruotini di compressione .....	34
(4) { <b>VARIANTI OLIMPIA</b>		
TAV. 232	Elemento seminatore «N» .....	36
TAV. 331	Elemento seminatore «W» .....	40
TAV. 243	Ruote e ruotini di compressione .....	42
TAV. 063	Depressore .....	44
TAV. 071	Impianto aspirazione e soffiaggio .....	48
TAV. 082	Ruota di trasmissione .....	50
TAV. 083	Ruota di trasmissione .....	54
TAV. 141	Supporti serbatoi spandiconcime plastica .....	58
TAV. 151	Serbatoi spandiconcime plastica .....	60
TAV. 182	Microgranulatore «16 litri» .....	64
TAV. 340	Microgranulatore «30 litri» .....	68
TAV. 192	Trasmissione spandiconcime e microgranulatore .....	70
TAV. 202	Concimazione pneumatica .....	72
TAV. 211	Speedy set .....	74
TAV. 222	Rullo anteriore .....	76
TAV. 252	Accessori .....	78
TAV. 322	Cardani .....	80
TAV. 260	Dischi di semina .....	82



**TELAIO ED ATTACCO TERZO PUNTO**

**TAV. 012**

Pos.	Cod.	Descrizione	Description	Description	Benennung	Description
1	F20120400	GANCIO SOSTEGNO CARDANO	SHAFT HOOK SUPPORT	SUPPORT CARDAN	GELENKWELLE - HACKEN	SOPORTE CARDAN
2	G65336004	MOLLA SPEC.ZN AGG.SEMINAT. SP	SPEC SPRING- ZN ADD. SEEDER SP	RESSORT SPEC. ZN ATTELAGE SEME	SPEZIALFEDER ZN SZELEM. KUPPL.	MUELLE ESPEC. ZN CONEX. SEMBRA
3	F01410088	ROS.M14 15X 28X2,5 U6592 ZN	WAS.M14 15X 28X2,5 U6592 ZB	RON.M14 15X 28X2,5 U6592 ZB	SCH.M14 15X 28X2,5 U6592 ZB	ARA.M14 15X 28X2,5 U6592 ZB
4	F20100136	PERNO D28 L109 C43 ZN	BOLT D28 L109 C43 ZN	BOULON D28 L109 C43 ZN	BOLTZEN D28 L109 C43 ZN	PERNO D28 L109 C43 ZN
5	G13812311	CATENELLA CON MOSCHETTONE ZN	CHAIN WITH SPRING CATCH	CHAINETTE AVEC MOUSQUETON	KETTE MIT KARABINERHAKEN	CADENA CON GANCHO
6	F02200507	SPINA A SCATTO D 9 B/83	SNAP PIN D9 B/83 ZN	FICHE A DETENTE D9 B/83 ZN	EINRASTSTIFT D9 B/83 ZN	CLAVIJA DE MUELLE D9 B/83 ZN
7	F20100133	PERNO D25 L122 C43 ZN	PIN D25 L122 C43 ZN	BOULON D25 L122 C43 ZN	BOLZEN D25 L122 C43 ZN	PERNO D25 L122 C43 ZN
8	F01020236	VITE M14X2X220 U5737 8.8BR	SCR. M14X2X220 U5737 8.8BR	VIS M14X2X220 U5737 8.8 BR	SCHRAUBE M14X2X220 U5737 8.8	TORNILLO M14X2X220 U5737 8.8
9	G22505032	TUBO TELAIO L=3200	FRAME PIPE L=3200	TUBE BATI L=3200	ROHR RAHMEN L=3200	TUBO BASTIDOR L=3200
10	G15112711	SUPPORTO PUNTELLO	PROP SUPPORT	SUPPORT ETRESILLON	STsTZLAGER	STsTZLAGER
11	G22505031	TUBO TELAIO L=2800	FRAME PIPE L=2800	TUBE BATI L=2800	ROHR RAHMEN L=2800	TUBO BASTIDOR L=2800
12	F02200246	COPIGLIA 6X 45 U1336 ZN	PIN 6 X45 U1336 ZN	GOUPILLE 6 X45 U1336 ZN	SPLINT 6 X45 U1336 ZN	CLAVIJA 6 X45 U1336 ZN
13	F02200584	SPINA SICUR. D. 12X70 ZN	PIN D12 L70 ZN	FICHE D12 L70 ZN	STIFT D12 L70 ZN	CLAVIJA D12 L70 ZN
14	G15112691	PUNTELLO ST250	PROP ST250			
15	F01020225	VITE M14X2X160 U5737 8.8BR	SCR. M14X2X160 U5737 8.8BR	VIS M 14 X160 5737 8.G	SCHRAUBE M 14 X160 5737 8.G	TORNILLO M 14 X160 5737 8.G
16	G16610040	TUBO R.150X100X1900	RECTANGULAR PIPE 150X100X1900	TUBE RECTANGULAIRE 150X100X190	RECHTECK.ROHR150X100X1900	TUBO RECT.150X100X1900
17	G15110091	SCONTRO A U SP.8 2F15 165	STRIKER	BRIDE 150 MM	ANSCHLAG	ELEMENTO DE EMPALME
18	G20970120	RONDELLA 70X8X28,5	WASHER 70X8X28-5	RONDELLE 70X8X28-5	UNTERLEGSSCHEIBE 70X8X28-5	ARANDELA 70X8X28-5
19	G16610110	TAPPO TELAIO 150X100 COMPL.	COMPL. FRAME PLUG 150X100 B319	BOUCHON CH-SSIS 150X100 COMPL.	PFROPFEN RAHMEN 150X100 KOMPL.	TAPÉN BASTIDOR 150X100 COMPL.
20	G19003000	TAPPO PER TELAIO 150	CAP FOR FRAME 150	BOUCHON POUR BATI 150	PFROPFEN FOR RAHMEN 150	TAPON PARA BASTIDOR 150
21	G20970142	RONDELLA 32X4X15,5	WASHER 32X4X15-5	RONDELLE 32X4X15-5	UNTERLEGSSCHEIBE 32X4X15-5	ARANDELA 32X4X15-5
22	G89900515	KIT DECALCOMANIE ORIETTA	ORIETTA DECAL KIT	KIT DECALCOM. ORIETTA	KIT ABZIEHB. ORIETTA	SET CALCOM. ORIETTA
23	F01200306	DADO M14X2 U5588 6.8ZN	NUT M14X2 U5588 6.8ZN	ECROU M14X2	MUTTER M14X2	DADO M14X2
24	G15210690	TUBO TELAIO FISSO 150X5000	FIXED FRAME PIPE 150X5000	PIPE BATI FIXE 150X5000	ROHR FIXER RAHMEN 150X5000	TUBO BASTIDOR FIJO 150X5000
25	G22505035	TUBO TELAIO L=5800	FRAME TUBE L=5801			
26	G15210740	TUBO TELAIO FISSO 150X6000	FIXED FRAME PIPE 150X6000	TUBE BATI FIXE 150X6000	ROHR FIXER RAHMEN 150X6000	TUBO BASTIDOR FIJO 150X6000
27	G16610050	TUBO R.150X100X2480	RECTANGULAR PIPE 150X100X2480	TUBE RECT.150X100X6X2480	R. ROHR150X100X6X2480	TUBO RECT.150X100X6X2480
28	G16610080	TUBO R.150X100X 6X2750	RECTANGULAR PIPE 150X100X6X275	TUBE RECT.150X100X6X2750	R. ROHR150X100X6X2750	TUBO RECT.150X100X6X2750
29	G16610060	TUBO R.150X100X3500	RECTANGULAR PIPE 150X100X3500	TUBE RECT.150X100X3500	R. ROHR150X100X3500	TUBO RECT.150X100X3500
30	G16610070	TUBO R.150X100X4200	RECTANGULAR PIPE 150X100X4200	TUBE RECT.150X100X4200	R. ROHR150X100X4200	TUBO RECT.150X100X4200
31	G15211250	TUBO R.150X100X 6X2990	RECTANGULAR PIPE 150X100X2990	TUBE RECT.150X100X6X2990	R. ROHR150X100X6X2990	TUBO RECT.150X100X6X2990
32	G16610462	ASS.TERZO PUNTO 2 CATEGORIA	ASS.3RD POINT 2° CAT.			

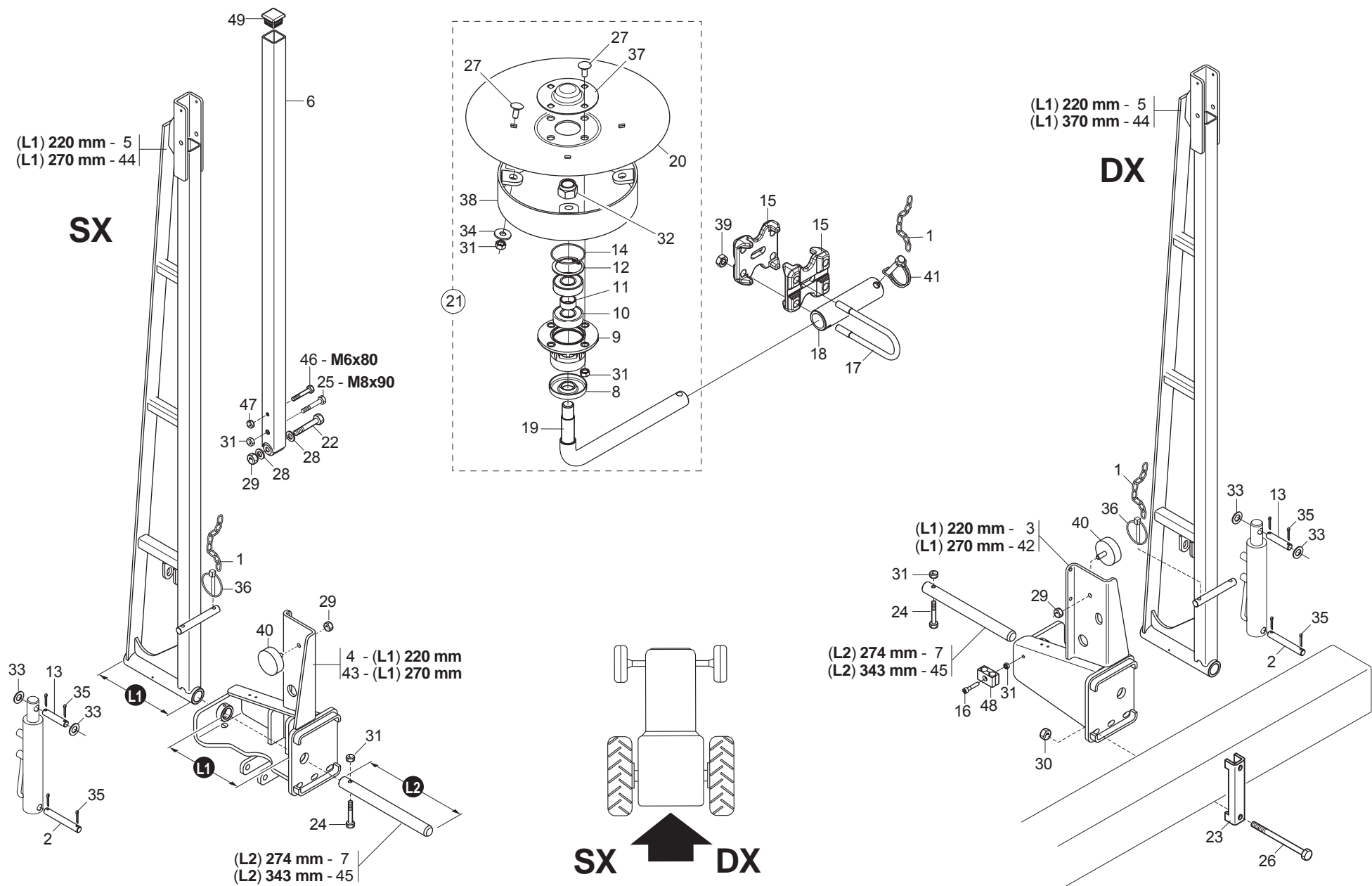




**SEGNAFILE**

**TAV. 022**

Pos.	Cod.	Descrizione	Description	Description	Benennung	Descripcion
1	G16610230	CAVALLOTTO MANICOTTO DISCO	U BOLT FOR DISC SLEEVE	ETRIER MANCHON DISQUE	_BERBR_KUNUNG MUFFE SCHEIBE	ABRAZADERA MANGUITO DE DISCO
2	G13812311	CATENELLA CON MOSCHETTONE ZN	CHAIN WITH SPRING CATCH	CHAINETTE AVEC MOUSQUETON	KETTE MIT KARABINERHAKEN	CADENA CON GANCHO
3	G17111290	MANICOTTO DISCO ZN	DISC SLEEVE U BOLT	MANCHON DISQUE	SCHEIBENMUFFE	MANGUITO DISCO
4	G16610200	DISCO D.320 COMPL	DISC D.320 COMPL			
5	F02100312	SPINA DI SICUREZZA D.8X45 ZN	SAFETY PIN D.8X45 ZN	FICHE EL.DE SECURITE D.8X45 ZN	SCHERSTIFT D.8X45 ZN	CLAVIJA DE SEGURIDAD D 8X45 ZN
6	G15412691	BRACCIO SEGNAFILE SX	ROW MARKER ARM LEFT	BRAS PLIANT GCH.	KLAPPBARER ARM LI.	BRAZO PLEGABLE IZQ.
7	G16611490	SUPPORTO SEGNAFILE SX	LEFT ROWMARKER SUPPORT			
8	G23440198	SCONTRIO ATTACCO BRACCIO HL/2	STRIKER PLATE ARM ATTACH. HL/2	BUTEE FIXATION BRAS HL/2	ARMKUPPLUNGSANSCHLAG HL/2	ELEMENTO DE EMPALME CONEXIN BC
9	G15110091	SCONTRIO A U SP.8 2F15 165	STRIKER	BRIDE 150 MM	ANSCHLAG	ELEMENTO DE EMPALME
10	G18701600	RONDELLA 35,5 X50 X3 ZN	WASHER 35.5 X 50 X 3- GALVANIZ	RONDELLE 35-5 X50 X3 ZN	UNTERLEGSSCHEIBE 35-5 X50 X3	ARANDELA 35-5 X50 X3 ZN
11	F01200270	DADO M10X1,5 U5588 6.8ZN	NUT M10X1,5 U5588 6.8ZN	ECROU M10X 1,5 U5588 6.8 ZN	MUTTER M10X 1,5 U5588 6.8 ZN	TUERCA M10X 1,5 U5588 6.8 ZN
12	F02200507	SPINA A SCATTO D 9 B/83	SNAP PIN D9 B/83 ZN	FICHE A DETENTE D9 B/83 ZN	EINRASTSTIFT D9 B/83 ZN	CLAVIJA DE MUELLE D9 B/83 ZN
13	F02100146	SPINA E.P. 8X 55 U6873 C70 BR	PIN EL. .8 X55 DIN 1481	FICHE EL.8 X55 DIN 1481	SPANNSTIFT 8 X55 DIN 1481	CLAVIJA EL.8 X55 DIN 1481
14	F01100011	ING.M 6X1 7663-A 9SMNPB28 ZN	GREASE NIPPLE M6X1 7663-A ZN	GRAISS. A BILLE M6X1 7663A ZN	SCHMIERBUEDCHE M6X1 7663-A ZN	ENGRAS. DE ESFE. M6X1 7663-AZN
15	G15412810	ATTACCO FUNE SEGNAFILE	ROW MARKER ROPE LINKAGE	FIXATION CABLE TRACEUR	SEILKUPPLUNG SPURANZEIGER	CONEXIÓN CABLE MARCADOR DE FIL
16	F20110705	CAV.Q.B=40 M=10X1,5 L=62	U BOLT Q.B=40 M=10X1,5 L=62	CAVALIER ZN	BsGELBOLZEN ZN	PERNO EN U ZN
17	G19203740	ELEMENTO FISSAGGIO GAMBO ZN.	GALVAN. SHANK FASTENING ELEMEN	ELEMENT FIXATION TIGES ZN	BEFESTIGUNGSELEMENT SCHZCHTE Z	ELEMENTO SUJECIN VµSTAGOS ZN
18	G16611500	SUPPORTO SEGNAFILE DX	RIGHT ROWMARKER SUPPORT			
19	G15412861	BRACCIO SEGNAFILE DX	RH FOLDING ARM	BRAS PLIANT DRT.	KLAPPBARER ARM RE.	BRAZO PLEGABLE DER.
20	G15412780	PROLUNGA BRACCIO SEGNAFILE	ROWMARKER EXTENSION	RALLONGE TRACEUR SOL.	VERLZNGERUNG SPURREISSER	PROLONG. MARC. DE FILAS
21	F01020122	VITE M10X1,5X70 U5737 8.8ZN	SCR. M10X1,5X70 U5737 8.8ZN	VIS M10X1,5X70 U5737 8.8 ZN	SCHRA.M10X1,5X70 U5737 8.8 ZN	TORN. M10X1,5X70 U5737 8.8 ZN
22	G16610431	FONDELLO ZN	BOTTOM GALV.ED			
23	G16610160	SUPP.CUSCINETTI DISCO SEGN.ZN.	GALVAN. ROWMARKER DISK BEARING	SUPPORT ROULEMENTS DISQUE TRAC	SCHEIBENLAGERHALTERUNG	SOPORTE COJINETE DE DISCO MARC
24	F04010156	CUSC.d20 D47 B14 6204 2RSH	BEARING d20 D47 B14 6204 2RSH			
25	G18801270	BOCCOLA 21 X25 X12 ZN B.	BUSHING 21 X25 X12 ZN			
26	F02050370	ANELLO E. DI 47X1,75 U7437 C70	SEEGER RING 47X 1,75 U7437 C70	SEEGER E. 47X 1,75 U7437 C70	SEEGERING E. 47X1,75 U7437 C70	ANILLO E. 47X 1,75 U7437 C70
27	G65337004	MOLLA TRAZ.SOLLEV. FU	TRACTION SPRING LIFT. FU	RESSORT TRACT. LEVAGE FU	ZUGFEDER HEBUNG FU	MUELLE TRAC. LEVDEL. FU
28	F03010576	ANELLO OR 50,52X1,78 NBR	GASKET OR 50,52X1,78 NBR	GASKET OR 50,52X1,78 NBR	RING OR 50,52X1,78 NBR	ANELLO OR 50,52X1,78 NBR
29	F01020476	VITE M10X1,5X30 U5739 8.8ZN	SCR. M10X1,5X30 U5739 8.8ZN	VIS M10X1,5X30 U5739 8.8 ZN	SCHRAUBE M10X1,5X30U5739 8.8ZN	TORNIL.M10X1,5X30 U5739 8.8 ZN
30	G16610170	DISCO SEGNAFILE D.320	ROW MARKER DISK D.320	DISQUE TRACEUR D320	SPURREISSERSSCHEIBE D. 320	DISCO MARCARDOR DE FILAS O 320
31	F01200244	DADO M8X1,25 U5588 6.8ZN	NUT M8X1,25 U5588 6.8ZN	ECROU M8 X1,25 U5588 6.8 ZN	MUTTER M8 X1,25 U5588 6.8 ZN	TUERCA M8 X1,25 U5588 6.8 ZN
32	F01230098	DADO M18X2,5 D982 8ZN	NUT M18X2,5 D982 8 ZN	ECROU M18X 2,5 D982 8 ZN	MUTTER M18X 2,5 D982 8 ZN	TUERCA M18X 2,5 D982 8 ZN
33	G16610180	PERNO REGGIDISCO SEGNAF.	ROWMARKER DISCHOLDER PIN			
34	G18902260	GUIDACORDA ZN MT	ROPE GUIDE ZN			
35	G15470810	SUPPORTO GUIDACORDA SP	ROPE GUIDE SUPPORT SP	SUPPORT GUIDE-CORDE SP	HALTERUNG SEILFSHRUNG SP	SOPORTE GUIACUERDA SP
36	F01200293	DADO M12X1,75 U5588 6.8ZN	NUT M12X1,75 U5588 6.8ZN	ECROU M12X1,75 U5588 6.8 ZN	MUTTER M12X1,75 U5588 6.8 ZN	TUERCA M12X1,75 U5588 6.8 ZN
37	F01200306	DADO M14X2 U5588 6.8ZN	NUT M14X2 U5588 6.8ZN	ECROU M14X2	MUTTER M14X2	DADO M14X2
38	G16610190	CHIUSURA CUSCINETTO ZN	END BEARING ZN			
39	F01060040	VITE M8X1,25X20 U5731 8.8ZN	SCR. M8X1,25X20 U5732 4.6ZG	VIS M8X1,25X20 U5732 4.6 ZN	SCHRA. M8X1,25X20 U5732 4.6 ZN	TORN. M8X1,25X20 U5732 4.6 ZN
40	G15413020	SPINA 15X120 ZN	GALVANIZED PIN 15X120	GOUPILLE 15X120 ZN	STIFT 15X120 ZN	CLAVIJA 15X120 ZN
41	G15413010	SPINA 15X62 ZN	PIN 15X62 ZN	GOUPILLE 15X62 ZN	BOLZENSTIFT 15X62 ZN	PASADOR 15X62 ZN
42	F02200194	COPIGLIA 4X 25 U1336 ZN	SPLIT PIN 4 X25 1336 GALVAN.	GOUPILLE 4 X25 1336 ZN	SPLINT 4 X25 1336 ZN	PASADOR 4 X25 1336 ZN
43	G20970142	RONDELLA 32X4X15,5	WASHER 32X4X15-5	RONDELLE 32X4X15-5	UNTERLEGSSCHEIBE 32X4X15-5	ARANDELA 32X4X15-5
44	F01410100	ROS.M16 17X 30X 3 U6592 ZN	WASHER M16 17X30X3 U6592 ZN	RONDELLE M16 17X30X3 U6592 ZN	SCHRAUBE M16 17X 30X3 U6592 ZN	ARANDELA M16 17X30X 3 U6592 ZN
45	G13811261	FALCIONE SEGNAFILE INT.	INNER ROWM. CUTTER	HACHOIR TRACEUR INT.	SZSCHAR SPURREISSER INNEN	GUADAXADORA MARCADOR DE HILE
46	G15470232	SUPPORTO MOLLA PIATTA 150	FLAT SPRING SUPPORT 150	SUPPORT RESSORT PLAT 150	HALTERUNG FLACHFEDER 150	SOPORTE MUELLE PLANO 150
47	G18901092	GAMBO CONCIMAZ.MOLLA PIATTA SP	FLAT SPRING MANURING LEG SP	TIGE FUMAGE RESSORT PLAT SP	SCHAFT DsNGUNG FLACHE FEDER SP	VæSTAGO ABONO MUELLE CHATO SP
48	G18902861	RINF.MOLLA PIATTA CONCIM.SP	MANUR.PLATE SPRING REINFORCE.S	RENF. RESSORT PLAT FUMAGE SP	VERSTZRKUNG FLACHFEDER DsNGUNG	REFUERZO MUELLE ABONO SP
49	F01020512	VITE M12X1,75X35 U5739 8.8ZN	SCR. M12X1,75X35 U5739 8.8ZN	VIS M12X1,75X35 5739 8.8 ZN	SCHR. M12X1,75X35 5739 8.8 ZN	TORN. M12X1,75X35 5739 8.8 ZN
50	F01020225	VITE M14X2X160 U5737 8.8BR	SCR. M14X2X160 U5737 8.8BR	VIS M 14 X160 5737 8.G	SCHRAUBE M 14 X160 5737 8.G	TORNILLO M 14 X160 5737 8.G
51	F01020233	VITE M14X2X200 U5737 8.8BR	SCR. M14X2X200 U5737 8.8BR	VIS M14X2X 200 U5737 8.8 ZB	SCHRAUBE M14X 2X200 U5737 8.8	TORNILLO M14X2X200 5737 8.8 ZB
52	F01020236	VITE M14X2X220 U5737 8.8BR	SCR. M14X2X220 U5737 8.8BR	VIS M14X2X220 U5737 8.8 BR	SCHRAUBE M14X2X220 U5737 8.8	TORNILLO M14X2X220 U5737 8.8

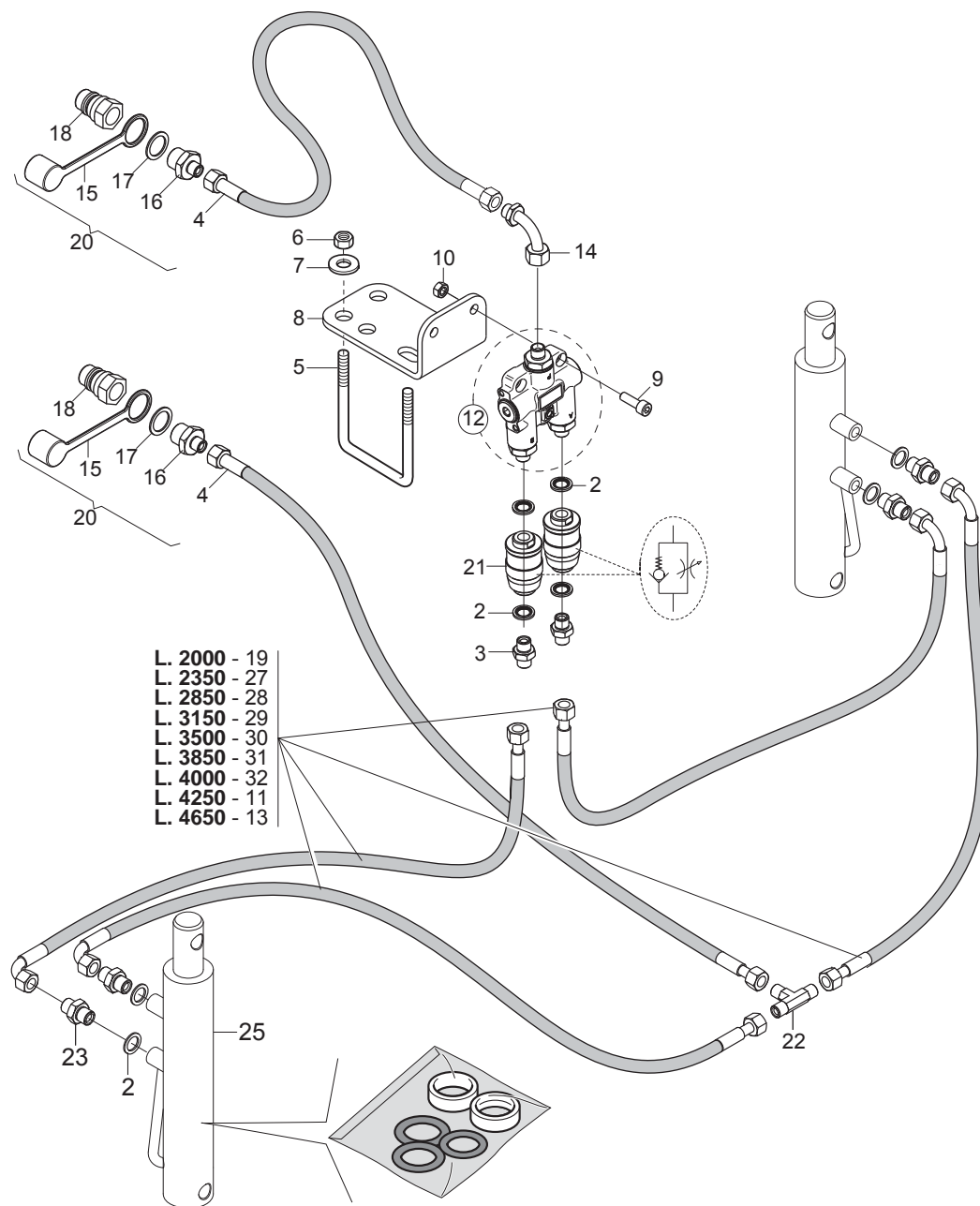
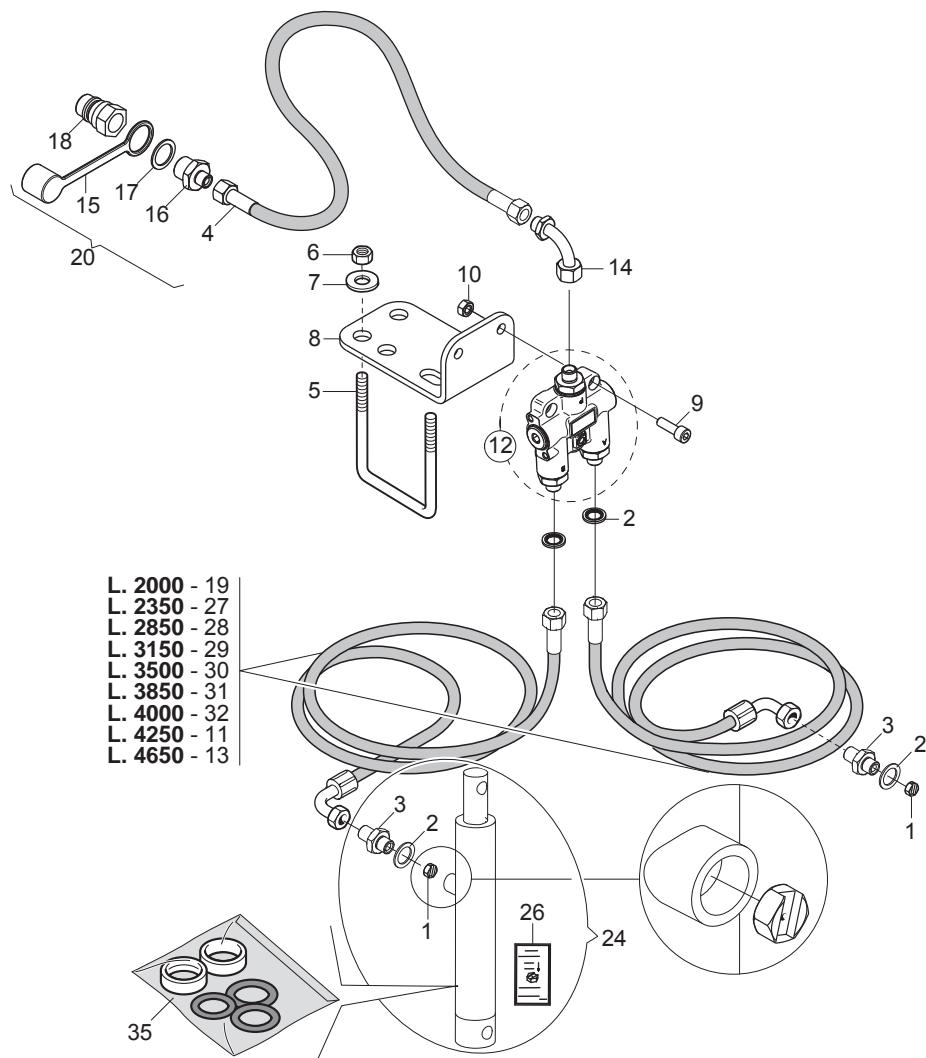




# SEGNAFIL RINFORZATO

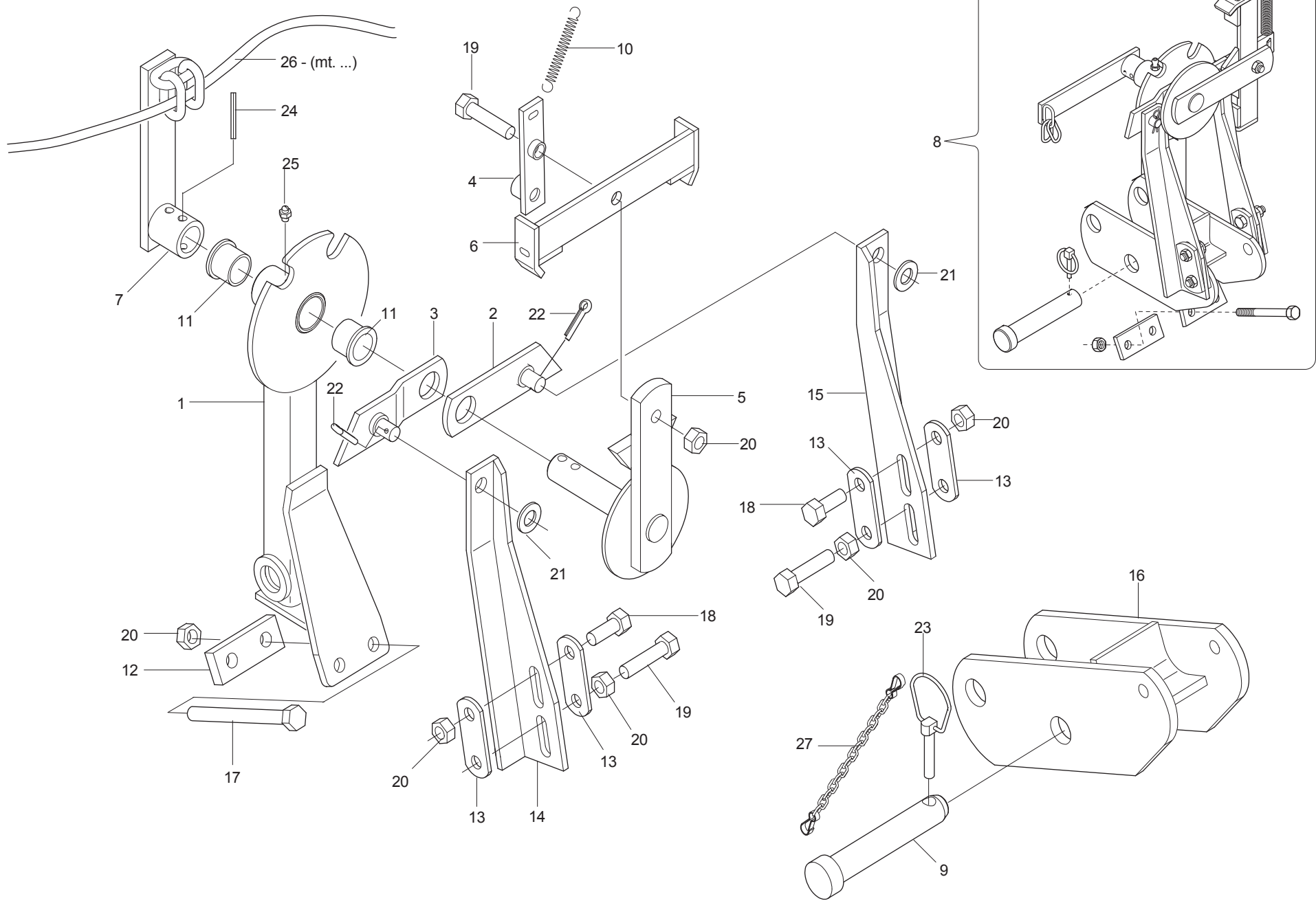
TAV. 033

Pos.	Cod.	Descrizione	Description	Description	Benennung	Descripcion
1	G13812311	CATENELLA CON MOSCHETTONE ZN	CHAIN WITH SPRING CATCH	CHAINETTE AVEC MOUSQUETON	KETTE MIT KARABINERHAKEN	CADENA CON GANCHO
2	G15413020	SPINA 15X120 ZN	GALVANIZED PIN 15X120	GOUPILLE 15X120 ZN	STIFT 15X120 ZN	CLAVIJA 15X120 ZN
3	G15411381	SUPPORTO BRACCIO DX	RIGHT ARM SUPPORT	RACLEUR GCH BAGUE	HALTERUNG ARM RE	SOPORTE BRAZO DER
4	G15411391	SUPPORTO BRACCIO SX	LEFT ARM SUPPORT	SUPPORT BRAS GCH	HALTERUNG ARM LI	SOPORTE BRAZO IZQ
5	G15411471	BRACCIO SEGNAFILE FRANCIA	FRENCH ROWMARKER ARM	BRAS TRACEUR	SPURREISSERARM	BRAZO MARCADOR DE FILAS
6	G16072220	BRACCIO SEGNAFILE	ROW MARKER ARM			
7	G14215830	ASSE SEGNAFILE	GALVAN. ROWMAKER AXLE	AXE BRAS TRACEUR ZN	REISSERASCHE	EJE MARCADOR DE FILAS
8	G16610431	FONDELLO ZN	BOTTOM GALV.ED			
9	G16610160	SUPP.CUSCINETTI DISCO SEGN.ZN.	GALVAN. ROWMARKER DISK BEARING	SUPPORT ROULEMENTS DISQUE TRAC	SCHEIBENLAGERHALTERUNG	SOPORTE COJINETE DE DISCO MARC
10	F04010156	CUSC.d20 D47 B14 6204 2RSH	BEARING d20 D47 B14 6204 2RSH			
11	G18801270	BOCCOLA 21 X25 X12 ZN B.	BUSHING 21 X25 X12 ZN			
12	F02050370	ANELLO E. DI 47X1,75 U7437 C70	SEEGER RING 47X 1,75 U7437 C70	SEEGER E. 47X 1,75 U7437 C70	SEEGERING E. 47X1,75 U7437 C70	ANILLO E. 47X 1,75 U7437 C70
13	G15413010	SPINA 15X62 ZN	PIN 15X62 ZN	GOUPILLE 15X62 ZN	BOLZENSTIFT 15X62 ZN	PASADOR 15X62 ZN
14	F03010576	ANELLO OR 50,52X1,78 NBR	GASKET OR 50,52X1,78 NBR	BAGUE OR 50,52X1,78 NBR	RING OR 50,52X1,78 NBR	ANILLO OR 50,52X1,78 NBR
15	G19204230	SUPPORTO MANICOTTO TQ.50	SLEEVE SUPPORT TQ.50			
16	F01040101	VITE M8X1,25X40 U5931 8.8ZN	SCR. M8X1,25X40 U5931 8.8ZN	VIS M8X1,25X40 U5931 8.8 ZN	SCHRAUBE M8X1,25X40 U5931 8.8	TORNILLO M8X1,25X40 U5931 8.8
17	F20110860	CAV.T.M10X 1,5X 30 46X128,5ZN	U BOLT T.M10X1,5X30 46X L128,5	CAVALIER M10X46 ZN	VERBINDUNG M10X46 ZN	PERNO EN U M10X46 ZN
18	G17111290	MANICOTTO DISCO ZN	DISC SLEEVE U BOLT	MANCHON DISQUE	SCHEIBENMUFFE	MANGUITO DISCO
19	G16610180	PERNO REGGIDISCO SEGNAF.	ROWMARKER DISCHOLDER PIN			
20	G16610170	DISCO SEGNAFILE D.320	ROW MARKER DISK D.320	DISQUE TRACEUR D320	SPURREISSERSCHEIBE D. 320	DISCO MARCARDOR DE FILAS O 320
21	G16610222	MONT.DISCO D.320 LIM.	ROWMARKET DISC D.320 ASSEMBLY			
22	F01020168	VITE M12X1,75X90 U5737 8.8ZN	SCR. M12X1,75X90 U5737 8.8ZN	VIS M12X1,75X90 U5737 8.8 ZN	SCHRAB.M12X1,75X90 5737 8.8 ZN	TORNIL.M12X1,75X90 5737 8.8 ZN
23	G15110091	SCONTRO A U SP.8 2F15 165	STRIKER	BRIDE 150 MM	ANSCHLAG	ELEMENTO DE EMPALME
24	F01020077	VITE M8X1,25X60 U5737 8.8ZN	SCR. M8X1,25X60 U5737 8.8ZN	VIS M8X1,25X60 U5737 8.8 ZN	SCHRAU. M8X1,25X60 U5737 8.8ZN	TORN. M8X1,25X60 U5737 8.8 ZN
25	F01020088	VITE M8X1,25X90 U5737 8.8ZN	SCREW M8X1,25X90 U5737 8.8ZN	VIS M8X1,25X90 U5737 8.8 ZN	SCHR.M8X1,25X90 U5737 8.8 ZN	TORN. M8X1,25X90 U5737 8.8 ZN
26	F01020236	VITE M14X2X220 U5737 8.8BR	SCR. M14X2X220 U5737 8.8BR	VIS M14X2X220 U5737 8.8 BR	SCHRAUBE M14X2X220 U5737 8.8	TORNILLO M14X2X220 U5737 8.8
27	F01060040	VITE M8X1,25X20 U5731 8.8ZN	SCR. M8X1,25X20 U5732 4.6ZG	VIS M8X1,25X20 U5732 4.6 ZN	SCHRA. M8X1,25X20 U5732 4.6 ZN	TORN. M8X1,25X20 U5732 4.6 ZN
28	F01410076	ROS.M12 13X 24X2,5 U6592 ZN	WASHER 12 13X 24X2,5 U6592 ZN	RONDEL. M12 13X24X2,5 U6592 ZN	SCHEIBE M12 13X24X2,5 U6592 ZN	ARANDELA M12 13 X24X2,5 ZN
29	F01200293	DADO M12X1,75 U5588 6.8ZN	NUT M12X1,75 U5588 6.8ZN	ECROU M12X1,75 U5588 6.8 ZN	MUTTER M12X1,75 U5588 6.8 ZN	TUERCA M12X1,75 U5588 6.8 ZN
30	F01200306	DADO M14X2 U5588 6.8ZN	NUT M14X2 U5588 6.8ZN	ECROU M14X2	MUTTER M14X2	DADO M14X2
31	F01200244	DADO M8X1,25 U5588 6.8ZN	NUT M8X1,25 U5588 6.8ZN	ECROU M8 X1,25 U5588 6.8 ZN	MUTTER M8 X1,25 U5588 6.8 ZN	TUERCA M8 X1,25 U5588 6.8 ZN
32	F01230098	DADO M18X2,5 D982 8ZN	NUT M18X2,5 D982 8 ZN	ECROU M18X 2,5 D982 8 ZN	MUTTER M18X 2,5 D982 8 ZN	TUERCA M18X 2,5 D982 8 ZN
33	G20970111	RONDELLA 29,8X2X16,5	WASHER 29,8X2X16,5	RONDELLE 29,8X2X16,5	UNTERLEGSCHIEBE 29,8X2X16,5	ARANDELA 29,8X2X16,5
34	F01420048	ROS.M8 8,4X 24X 2 U6593 ZN	WASHER M8 8,4X 24X2 U6593 ZN	RONDELLE M8 8,4X24X 2 U6593 ZN	SCHEIBEN M8 8,4X24X 2 U6593 ZN	ARANDELA M8 8,4X 24X2 U6593 ZN
35	F02200227	COPIGLIA 5X 30 U1336 ZN	PIN 5X 30 U1336 ZN			
36	F02200507	SPINA A SCATTO D 9 B/83	SNAP PIN D9 B/83 ZN	FICHE A DETENTE D9 B/83 ZN	EINRASTSTIFT D9 B/83 ZN	CLAVIJA DE MUELLE D9 B/83 ZN
37	G16610190	CHIUSURA CUSCINETTO ZN	END BEARING ZN			
38	G16610210	ASS.LIMITATORE PROFONDITA'	LIMITER DEPTH COUPLYNG	GR. ASS. LIMITEUR DE PROFONDEU	TIEFENBEGRENZERKOMPLEX	CONJ. LIMITADOR DE PROFUNDIDAD
39	F01200270	DADO M10X1,5 U5588 6.8ZN	NUT M10X1,5 U5588 6.8ZN	ECROU M10X 1,5 U5588 6.8 ZN	MUTTER M10X 1,5 U5588 6.8 ZN	TUERCA M10X 1,5 U5588 6.8 ZN
40	F05150459	PARACOLPI CIL.75X25 M12 SH70	CYLINDER GUARD 75X25 M12 SH71	TAMPON CIL. 75X25 M12	PUFFER CIL. 75X25 M12	PARACHOQ. CIL. 75X25 M12
41	F02100312	SPINA DI SICUREZZA D.8X45 ZN	SAFETY PIN D.8X45 ZN	FICHE EL.DE SECURITE D.8X45 ZN	SCHERSTIFT D.8X45 ZN	CLAVIJA DE SEGURIDAD D 8X45 ZN
42	G16611090	SUPPORTO BRACCIO SEGN.RINF.DX	ARM SUPP.REINF.ROWMA.RIGHT			
43	G16611100	SUPPORTO BRACCIO SEGN.RINF.SX	ARM SUPP.REINF.ROWMA.LEFT			
44	G16611150	BRACCIO SEGNAFILE RINF.	REINF. ROWMARKER ARM			
45	G16611250	PERNO D.32X343	PIN D.32X343			
46	F01020050	VITE M6X1X80 U5737 8.8ZN	SCR. M6X1X80 U5737 8.8ZN	VIS 6 X80 5737 8.G ZN	SCHRAUBE 6 X80 5737 8.G ZN	TORNILLO 6 X80 5737 8.G ZN
47	F01220011	DADO M6X1 D980 8ZN	NUT M6X1 D980 8ZN	ECROU M6X1 D980 8 ZN	MUTTER M6X1 D980 8 ZN	TUERCA M6X1 D980 8 ZN
48	F03150996	COPIA COLLARI X TUBO D.18	DOUBLE TUBE SUPPORT D.19			
49	F20120349	PUNTALE Q.50 ALETT.POLIT.NERO	CAP	BOUCHON	DECKEL	CORCHO



**COMANDO SEGNAFILE OLEODINAMICO**
**TAV. 043**

Pos.	Cod.	Descrizione	Description	Description	Benennung	Descripcion
1	G15413050	STROZZATORE A PASTIGLIA D.0,8	PAD VENTURI D.0,8	ETRANGLEUR D.0,8	DROSSEL D.0,8	ESTRANGULADOR D.0,8
2	F03151414	RONDELLA BONDED SEAL 1/4" NBR	WASHER BONDED SEAL 1/4" NBR			
3	F03150266	NIPPLO MM CIL-CIL 1/4-1/4 ZN	NIPPLE GALV.CYL.MALE 1/4 ZN	NIPPLE MALE CYL. 1/4 ZN	NIPPELZYL.1/4 ZN	NIPLE MACHO CIL.1/4 ZN
4	G22270463	TUB.TR.1/4R2 F-F 1/4 L1500 LM	TUBE TR.1/4R2 F-F1/4 L1500 LM	TUB.TR.1/4R2 F-F 1/4 L1500 LM	ROHR1/4R2 F-F 1/4 L1500 LM	TUB.TR.1/4R2 F-F 1/4 L1500 LM
5	F20110770	CAV.Q.B=80 M=14X2 L=119	U BOLT Q.B=80 M=14X2 L=119	BRIDE U M14X2X50 96X119 ZN	ANSCHLANG U M14X2X50 96X119 ZN	EL.DE EMPALME M14X2X50 96X119
6	F01200306	DADO M14X2 U5588 6.8ZN	NUT M14X2 U5588 6.8ZN	ECROU M14X2	MUTTER M14X2	DADO M14X2
7	G20970142	RONDELLA 32X4X15,5	WASHER 32X4X15-5	RONDELLE 32X4X15-5	UNTERLEGSCHIEBE 32X4X15-5	ARANDELA 32X4X15-5
8	G15412351	SUPPORTO VALVOLA	VALVE SUPPORT			
9	F01020068	VITE M8X1,25X40 U5737 8.8ZN	SCR. M8X1,25X40 U5737 8.8ZN	VIS M 8X1,25X40 U5737 8.8 ZN	SCHRA. M8X1,25X40 U5737 8.8 ZN	TORNIL.M8X1,25X40 U5737 8.8 ZN
10	F01200244	DADO M8X1,25 U5588 6.8ZN	NUT M8X1,25 U5588 6.8ZN	ECROU M8 X1,25 U5588 6.8 ZN	MUTTER M8 X1,25 U5588 6.8 ZN	TUERCA M8 X1,25 U5588 6.8 ZN
11	G15413070	TUBO 1/4R2 CF1/4- F1/4 4250	PIPE 1/4R2 CF1/4-F1/4 4250	TUBE 1/4R2 CF1/4-F1/4 4250	SCHLAUCH 1/4R2 CF1/4-F1/4 4250	TUBO 1/4R2 CF1/4-F1/4 4250
12	G16611051	MONT.VALVOLA SEGNAFILE BP	ROWMARKER VALVE ASSY.			
13	G15413080	TUBO 1/4 C-F L.4650	TUBE 1/4 C-F L.4650	TUBE 1/4 C-F L.4650	ROHR 1/4 C-F L.4650	TUBO 1/4 C-F L.4650
14	F03150859	CURVA 90°F.GIREV.1/4 - M.1/4	ELBOW 90° F.SLEWING 1/4 -M.1/4	COUDE 90° F.TOURN.1/4 - M.1/4	KNIESTsCK 90[ F.DREHB.1/4 - M.	CURVA 90 F.GIRAT.1/4 - M.1/4
15	F05150325	CAPPUC.F X INN.M RAP.1/2 ROSSO	COVER CONNECT F 1/2 RED	COUVERCLE CONNEXION F 1/2 ROSE	DECKEL W 1/2 SCHNELLKUPP. ROT	PAC PROTECCION F 1/2 ROJO
16	F03150211	NIPPLO MM CIL-CIL 1/2-1/4 ZN	NIPLE MM CIL-CIL 1/4-1/2 ZN	NIPLE MM 1/4-1/2 ZN	NIPLE GG 1/4-1/2 ZN	NIPLE MM 1/4-1/2 ZN
17	F03151370	RONDELLA BONDED SEAL 1/2" NBR	WASHER BONDED SEAL 1/2" NBR			
18	F03150935	INNESTO RAP.MASCH.1/2 A VALV.	QUICK CONNECT MALE CONE 1/2	CONNEXION RAPIDE MALE CONE 1/2	SCHNELLKUPP.GEWINDE KONISC 1/2	ACOPLAMIENT.RAP.MACHO CONO 1/2
19	G23440517	TUBO 1/4R2 C-F 1/4 L2000 HL/ID	PIPE 1/4R2 C-F 1/4 L2000 HL/ID	TUBE 1/4R2 C-F 1/4 L2000 HL/ID	ROHR 1/4R2 C-F 1/4 L2000 HL/ID	TUBO 1/4R2 C-F 1/4 L2000 HL/ID
20	G13811211	TUBO X COLLEG.AL TRATTORE	PIPE FOR CONNECTION TO TRACTOR	TUBE POUR CONN. AU TRACTEUR	ROHR F. KUPPLUNG AM SCHLEPPER	TUBO P/CONEXIN AL TRACTOR T
21	F03151226	REGOL.DI FLUSSO VRF 1/4' GAS	1/4' GAS VALVE VRF	SOUPAPE REG DEBIT VRF 1/4" GAZ	VENITL VRF 1/4' GAS	VæLVULA VRF 1/4' GAS
22	F03151219	RACCORDO -T- MASCHIO 1/4 ZN	MALE T-UNION 1/4 ZN	CONNECTION A T	T VERBINDUNG	JUNTURA A T
23	G16011690	MONT.NIPPLO 1/4 GRANO F.1,0	UPRIGHT 1/4" NIPPLE WITH GRUB	MONTANT NIPPLE 1/4 AVEC GRAIN	STZNDER NIPPEL 1/4 MIT STIFT 8	MONT.NIPLE 1/4 TORNIL.SIN CABE
24	G15413110	CILINDRO SEGNAFILE SP COMPL.	ROW MARKER CYLINDER SP	CYLINDRE TRACEUR SP	SYLINDER REIHENANREISSER SP	CILINDRO MARCADOR DE FILAS
25	G16610140	CILINDRO DE 30X40 -155	CYLINDER D.E.30-40/155	CYLINDRE D.E. 30-40/155	ZYLINDER D.E.30-40/155	CILINDRO D.E. 30-40/155
26	G19702710	DECAL.POSIZIONE STROZZATORE	VENTURI POSITION STICKER	DECALCOM POSITION TAQUET	ABZIEHBILD POSIZION DROSSELSTE	CALCOMAN-A. POSICIÉN ESTRANGUL
27	G22505140	TUBO 1/4R2 C-F 1/4 L.2350 LM	TUBE 1/4R1 C-F 1/4 L.2350 LM	TUBE 1/4R2 C-F 1/4 L.2350 LM	ROHR 1/4R2 C-F 1/4 L.2350 LM	TUBO 1/4R2 C-F 1/4 L.2350 LM
28	G15210554	TUBO 1/4R2 F1/4-CF1/4 2850	TUBE 1/4R2 F1/4-CF1/4 2850			
29	G15210950	TUBO 1/4 R2 C-F 1/4 L.3150	PIPE 1/4-R2 C-F 1/4 M.3150	TUBE 1/4-R2 C-F 1/4 M.3150	ROHR 1/4-R2 C-F 1/4 M.3150	TUBO 1/4-R2 C-F 1/4 M.3150
30	G15210561	TUBO 1/4R2 CF1/4- F1/4 3500	PIPE 1/4R2 CF1/4- F1/4 3500	TUBE 1/4R2 CF1/4- F1/4 3500	ROHR 1/4R2 CF1/4- F1/4 3500	TUBO 1/4R2 CF1/4- F1/4 3500
31	G15413060	TUBO 1/4R2 CF1/4- F1/4 3850	TUBE 1/4R2 CF1/4-F1/4 3850	TUYAU 1/4R2 CF1/4-F1/4 3850	SCHLAUCH 1/4R2 CF1/4-F1/4 3850	TUBO 1/4R2 CF1/4-F1/4 3850
32	G16012650	TUBO R2 1/4 C-F L.4000	PIPE 1/4 R2 C-F 1/4 L.4000	TUBE 1/4 R2 C-F 1/4 L. 4000	ROHR 1/4 R2 C-F 1/4 L 4000	TUBO 1/4 R2 C-F 1/4 L.4000

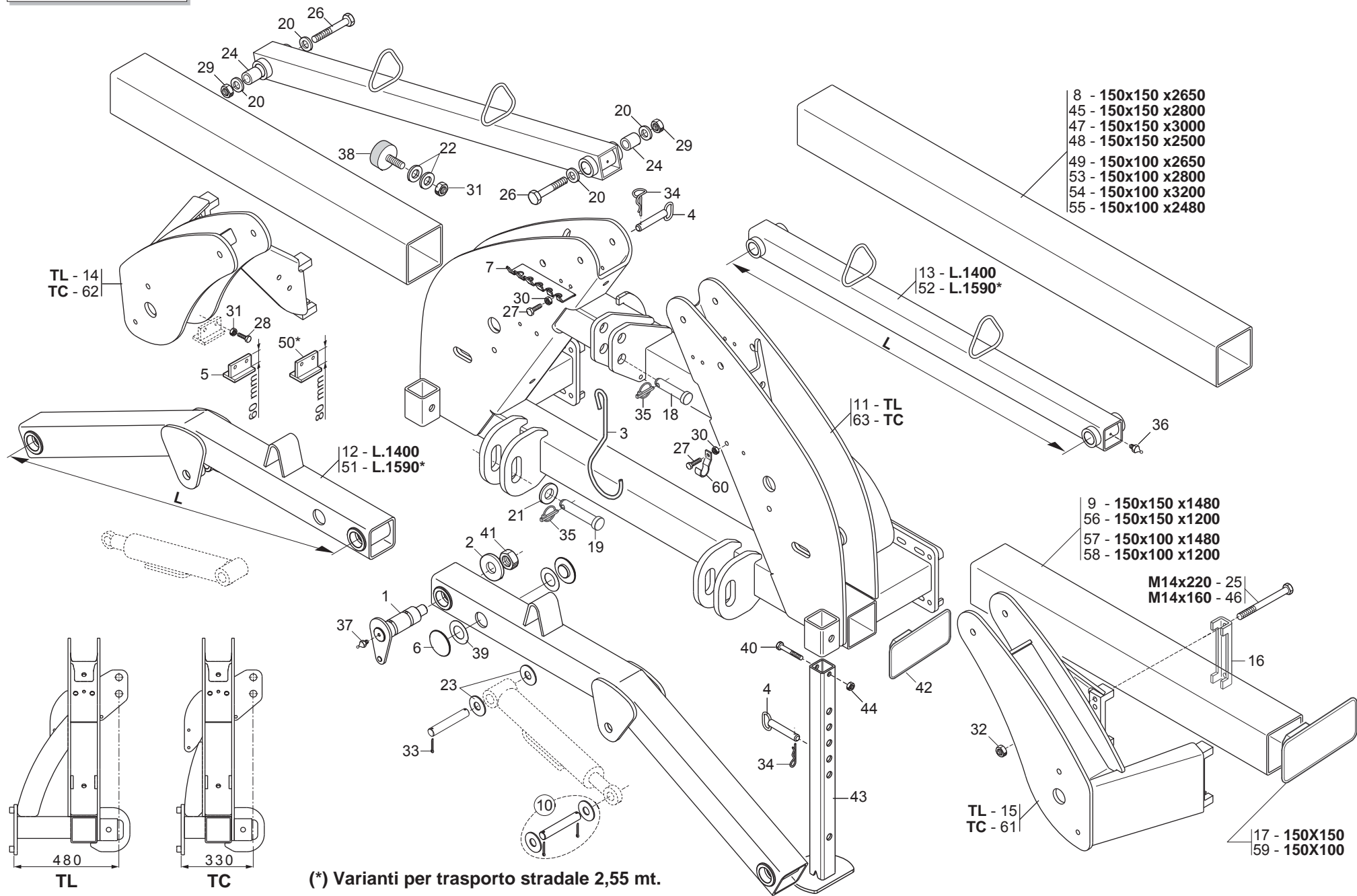


# COMANDO SEGNAFILE MECCANICO

TAV. 051

Pos.	Cod.	Descrizione	Description	Description	Benennung	Descripcion
1	G15410921	COMANDO SEGNAF.SP	ROWMARKER CONTR.SP			
2	G15410950	LEVA PIANA	FLAT LEVER	LEVIER PLAT	FLACHER HEBEL	PALANCA PLANA
3	G15410960	LEVA STAMPATA	PRESSED LEVER	LEVIER IMPRESSION	GEPRESSTER HEBEL	PALANCA MOLDEADA
4	G15410990	LEVA SCATTO SEGNAFILE	ROWMARKER SNAP LEVER	LEVIER DETENTE TRACEUR	SCHNAPPHEBEL REIHENANREISSER	PALANCA DISPARO MARCADOR DE FI
5	G15411110	SUPPORTO LEVA SCATTO	SNAP LEVER SUPPORT	SUPPORT LEVIER DETENTE	HALTERUNG SCHNAPPHEBEL	SOPORTE PALANCA DISPARADOR
6	G15411120	FERMO LEVE AGGANCIO	LEVERS HOOK UP STOP	ARRET LEVIER ACCORCHAGE	FESTSTELLVORRICHTUNG KUPPLUNGS	BLOQUEO PALANCA ENGANCHE
7	G15411130	FERMO CORDE SEGNAFILE SP	ROWMARKER ROPE STOP SP	ARRET CORDES TRACEUR SP	FESTSTELLVOR. SEILE REIHENANRE	BLOQUEO CUERDAS MARCADOR FILAS
8	G15411141	SCATTO AUTOMATICO SP 530 COMPL	AUTOM.RELEASE SP 530 COMP.			
9	F20100133	PERNO D25 L122 C43 ZN	PIN D25 L122 C43 ZN	BOULON D25 L122 C43 ZN	BOLZEN D25 L122 C43 ZN	PERNO D25 L122 C43 ZN
10	G18902680	MOLLA TRAZ.ZN SERBATOIO SV290	GALV.TANK TRACT.SPRING SV290	RESSORT RAZ.ZN RESERVOIR SV290	ZUGFEDER ZN BEHZLTER SV290	MUELLE TRAC.ZN DEPOSITO SV290 A
11	G21120067	BOCCOLA IN BRONZO	BRONZE BUSHING	BOITE EN BRONZE	BRONZEBsCHSE	CASQUILLO DE BRONCE
12	G22220124	SCONTRO	STRIKER PLATE	BUTEE	ANSCHLAG	ELEMENTO DE EMPALME
13	G22220132	SCONTRO BRACCI NH	STRIKER PLATE-ARMS NH			
14	G22270021	BRACCIO INF.SX COMANDO SEGNAF.	ARM-LOWER LEFT ROWMARK. CONTR.	BRAS INF. GCH. COMMANDE TRACEU	LINKER UNT. ARM SPURREISSERSTE	BRAZO INF.IZQ. MANDO MARC. FIL
15	G22270022	BRACCIO INF.DX COMANDO SEGNAF.	RIGHT LOWER ARM-ROWMARK. CONTR.	BRAS INF. DRT. COMMANDE TRACEU	RECHTER UNT. ARM SPURREISSERST	BRAZO INF.DER. MANDO MARC. FIL
16	G13810342	ATTACCO COMANDO 3° PUNTO	CONTROL COUPLING 3. POINT	FIXATION COMMANDE 3 POINT K	UPPLUNG STEUERUNG 3. PUNKT C	ONEXIN MANDO 3PUNTO OPR
17	F01020182	VITE M12X1,75X160 U5737 8.8BR	SCR. M12X1,75X160 U5737 8.8BR	VIS 12X160 5737 8.G	SCHRAUBE 12X160 5737 8.G	TORNILLO 12X160 5737 8.G
18	F01020510	VITE M12X1,75X30 U5739 8.8ZN	SCR. M12X1,75X30 U5739 8.8ZN	VIS M12X1,75X30 U5739 8.8ZN	SCHRAU.M12X1,75X30 U5739 8.8ZN	TORN. M12X1,75X30 U5739 8.8ZN
19	F01020517	VITE M12X1,75X50 U5739 8.8ZN	SCR. M12X1,75X50 U5739 8.8ZN	VIS M12X1,75X50 5739 8.8 ZN	SCHRA. M12X1,75X50 5739 8.8 ZN	TORN. M12X1,75X50 5739 8.8 ZN
20	F01200293	DADO M12X1,75 U5588 6.8ZN	NUT M12X1,75 U5588 6.8ZN	ECROU M12X1,75 U5588 6.8 ZN	MUTTER M12X1,75 U5588 6.8 ZN	TUERCA M12X1,75 U5588 6.8 ZN
21	F01410088	ROS.M14 15X 28X2,5 U6592 ZN	WAS.M14 15X 28X2,5 U6592 ZB	RON.M14 15X 28X2,5 U6592 ZB	SCH.M14 15X 28X2,5 U6592 ZB	ARA.M14 15X 28X2,5 U6592 ZB
22	F02200227	COPIGLIA 5X 30 U1336 ZN	PIN 5X 30 U1336 ZN			
23	F02200507	SPINA A SCATTO D 9 B/83	SNAP PIN D9 B/83 ZN	FICHE A DETENTE D9 B/83 ZN	EINRASTSTIFT D9 B/83 ZN	CLAVIJA DE MUELLE D9 B/83 ZN
24	F02100141	SPINA E.P. 8X 36 U6873 C70 BR	PIN EL. 8X 36 U6873 C70 BR	FICHE EL. 8X 36 U6873 C70 BR	SPANNSTIFT 8X 36 U6873 C70 BR	CLAVIJA EL. 8X 36 U6873 C70 BR
25	F01100011	ING.M 6X1 7663-A 9SMNPB28 ZN	GREASE NIPPLE M6X1 7663-A ZN	GRAISS. A BILLE M6X1 7663A ZN	SCHMIERBUECHE M6X1 7663-A ZN	ENGRAS. DE ESFE. M6X1 7663-AZN
26	F05150399	CORDA POLIPROPILENE D.12	POLIPR. D.12 ROPE			
27	G13812311	CATENELLA CON MOSCHETTONE ZN	CHAIN WITH SPRING CATCH	CHAINETTE AVEC MOUSQUETON	KETTE MIT KARABINERHAKEN	CADENA CON GANCHO

TAV. 272

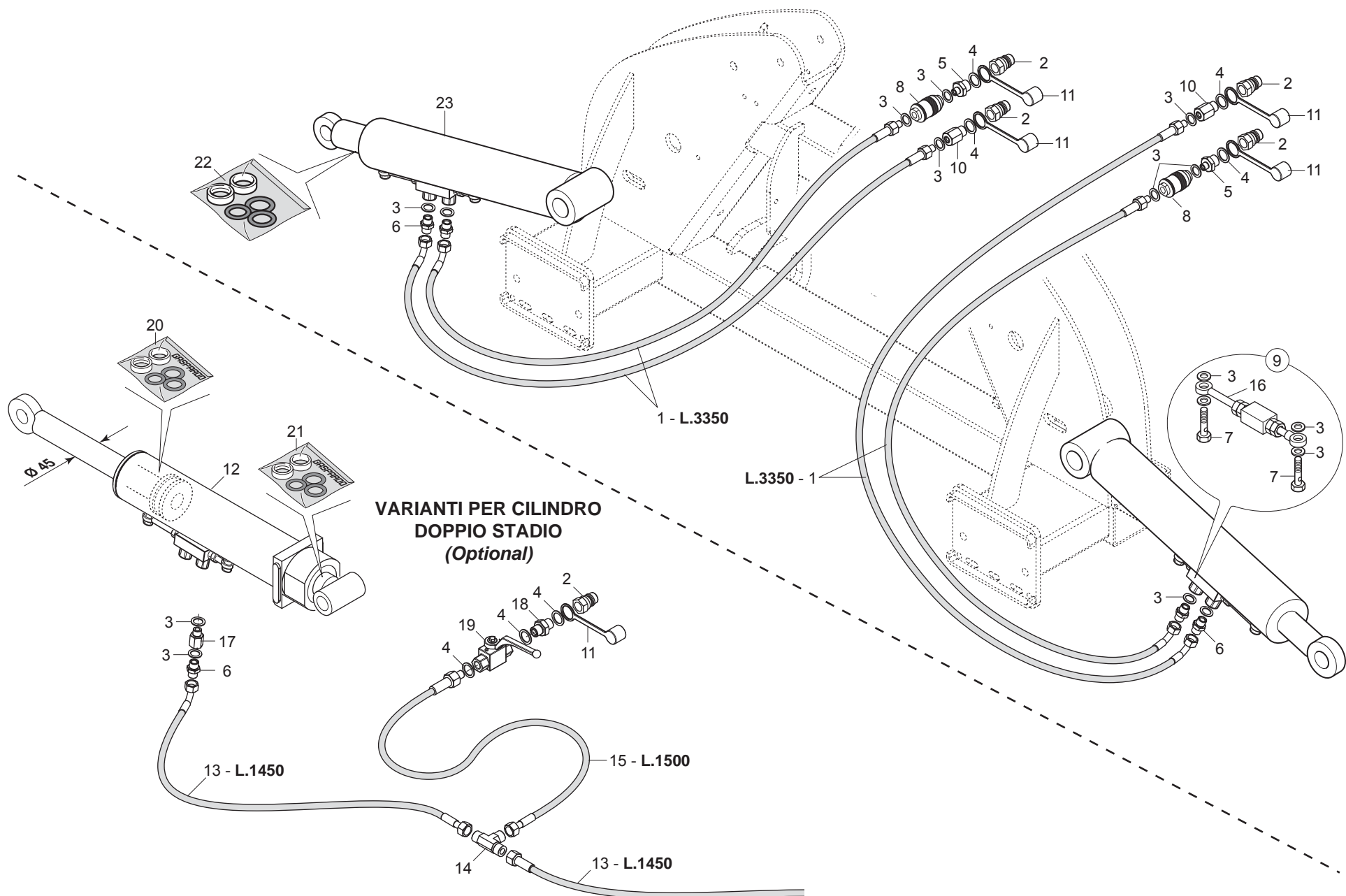




# TELAIO PIEGHEVOLE

TAV. 272

Pos.	Cod.	Descrizione	Description	Description	Benennung	Descripcion
1	G14219550	SPINA ROTAZIONE	ROTATION PIN			
2	G14219500	FLANGIA	FLANGE			
3	F20120400	GANCIO SOSTEGNO CARDANO	SHAFT HOOK SUPPORT	SUPPORT CARDAN	GELENKWELLE - HACKEN	SOPORTE CARDAN
4	G14215360	SPINA DI SICUREZZA	PIN D20 L173,5	FICHE D20 L173,5	STIFT D20 L173,5	CLAVIJA D20 L173,5
5	G14215570	FERMO TELAIO MOBILE	MOBILE FRAME STOP	ARRET BATI MOBILE	FESTSTELLVORRICHTUNG MOBILER R	BLOQUEO BASTIDOR MVIL
6	G14216730	PIASTRA SCORRIMENTO	SLIDING PLATE	PLAQUE GLISSEMENT	GLEITPLATTE	PLACA DE DESPLAZAMIENTO
7	G14217560	SUPPORTO 5 TUBI	5 PIPE SUPPORT	5 ROHR SUPPORT	5 ROHR HALTERUNG	SOPORTE 5 TUBOS
8	G14215170	TELAIO FISSO	FIXED FRAME	BATI FIXE	FIXER RAHMEN	BASTIDOR FIJO
9	G14215541	TUBO Q.150X 8X1480	SQUARE TUBE 150X1480	TUBE CARR+ 150X1480	ROHR Q.150X1480	TUBO CUADRADO 150X1480
10	G14215272	SPINA 29,8X164 ZN	PIN 29,8X164 ZN			
11	G14219530	TELAIO PORTANTE SI-MTI	MAIN FRAME SI-MTI			
12	G14216614	BRACCIO INF.L1400	LOWER ARM L.1400			
13	G14216641	BRACCIO SUPERIORE	TOP ARM	BRAS SUPERIEUR	OBERER ARM	BRAZO SUPERIOR
14	G14216714	SUPPORTO TELAIO MOBILE DX	SUPP.R.OFFSET FRAME			
15	G14216724	SUPPORTO TELAIO MOBILE SX	SUPP.L.OFFSET FRAME			
16	G15110091	SCONTRO A U SP.8 2F15 165	STRIKER	BRIDE 150 MM	ANSCHLAG	ELEMENTO DE EMPALME
17	G19003000	TAPPO PER TELAIO 150	CAP FOR FRAME 150	BOUCHON POUR BATI 150	PFRÖPFEN FOR RAHMEN 150	TAPON PARA BASTIDOR 150
18	F20100139	PERNO D32 L135 C43 ZN	PIN D32 L135 C43 ZN	BOULON D32 L135 C43 ZN	BOLTZEN D32 L135 C43 ZN	PERNO D32 L135 C43 ZN
19	F20100141	PERNO D36 L128 C43 ZN	PIN D36 L128 C43 ZN	BOULON D36 L128 C43 ZN	BOLTZEN D36 L128 C43 ZN	PERNO D36 L128 C43 ZN
20	G20970043	RONDELLA 50X8X20,5 ZN	WASHER 50X8X20-5 ZN	RONDELLE 50X8X20-5 ZN	UNTERLEGSCHLEIBE 50X8X20-5 ZN	ARANDELA 50X8X20-5 ZN
21	G18701810	RONDELLA 38 X70 X10 ZN	WASHER 38X70X10	RONDELLE 38X70X10	UNTERLEGSCHLEIBE 38X70X10	ARANDELA 38X70X10
22	G20970126	RONDELLA 75X2,5X14,5	WASHER 75X2-5X14-5	RONDELLE 75X2-5X14-5	UNTERLEGSCHLEIBE 75X2-5X14-5	ARANDELA 75X2-5X14-5
23	G18701580	RONDELLA 30,5 X76 X4	WASHER 30,5 X76 X4	RONDELLE 30-5 X78 X6	UNTERLEGSCHLEIBE 30-5 X78 X6	ARANDELA 30-5 X78 X6
24	G18801380	BOCCOLA 20,25X40 X121	BUSHING 20,25X40 X121			
25	F01020236	VITE M14X2X220 U5737 8.8BR	SCR. M14X2X220 U5737 8.8BR	VIS M14X2X220 U5737 8.8 BR	SCHRAUBE M14X2X220 U5737 8.8	TORNILLO M14X2X220 U5737 8.8
26	F01020322	VITE M20X2,5X190 U5737 10.9ZD	SCR. M20X2,5X190 U5737 10.9ZD	VIS M20X2,5X190 5737 10.9 ZN	SCHRA.M20X2,5X190 5737 10.9 ZN	TORN. M20X2,5X190 5737 10.9 ZN
27	F01020476	VITE M10X1,5X30 U5739 8.8ZN	SCR. M10X1,5X30 U5739 8.8ZN	VIS M10X1,5X30 U5739 8.8 ZN	SCHRAUBE M10X1,5X30U5739 8.8ZN	TORNIL.M10X1,5X30 U5739 8.8 ZN
28	F01020510	VITE M12X1,75X30 U5739 8.8ZN	SCR. M12X1,75X30 U5739 8.8ZN	VIS M12X1,75X30 U5739 8.8ZN	SCHRAU.M12X1,75X30 U5739 8.8ZN	TORN. M12X1,75X30 U5739 8.8ZN
29	F01230131	DADO M20X2,5 D982 6ZN	NUT M20X2,5 D982 6ZN	ECROU M20X,5 D982 6ZN	MUTTER M20X2,5 D982 6ZN	TUERCA M20X2,5 D982 6ZN
30	F01200270	DADO M10X1,5 U5588 6.8ZN	NUT M10X1,5 U5588 6.8ZN	ECROU M10X 1,5 U5588 6.8 ZN	MUTTER M10X 1,5 U5588 6.8 ZN	TUERCA M10X 1,5 U5588 6.8 ZN
31	F01200293	DADO M12X1,75 U5588 6.8ZN	NUT M12X1,75 U5588 6.8ZN	ECROU M12X1,75 U5588 6.8 ZN	MUTTER M12X1,75 U5588 6.8 ZN	TUERCA M12X1,75 U5588 6.8 ZN
32	F01200306	DADO M14X2 U5588 6.8ZN	NUT M14X2 U5588 6.8ZN	ECROU M14X2	MUTTER M14X2	DADO M14X2
33	F02200246	COPIGLIA 6X 45 U1336 ZN	PIN 6 X45 U1336 ZN	GOUPILLE 6 X45 U1336 ZN	SPLINT 6 X45 U1336 ZN	CLAVIJA 6 X45 U1336 ZN
34	F02200374	COPIGLIA R 4X 82 ZN	SPRING SPLIT PIN 4X82	GOUPILLE 4X82	SPLINT 4X82	PASADOR 4X82
35	F02200507	SPINA A SCATTO D 9 B/83	SNAP PIN D9 B/83 ZN	FICHE A DETENTE D9 B/83 ZN	EINRASTSTIFT D9 B/83 ZN	CLAVIJA DE MUELLE D9 B/83 ZN
36	F01100011	ING.M 6X1 7663-A 9SMNPB28 ZN	GREASE NIPPLE M6X1 7663-A ZN	GRAISS. A BILLE M6X1 7663A ZN	SCHMIERBUECHE M6X1 7663-A ZN	ENGRAS. DE ESFE. M6X1 7663-AZN
37	F01100061	ING.M10X1 7663-A 9SMNPB28 ZN	GREASE NIPPLE M10X1 7663-A ZN	GRAISSEUR M10X1 7663-A ZN	SCHMIERBUECHSE M10X1 7663-A ZN	ENGRASADOR M10X1 7663-A ZN
38	F05150459	PARACOLPI CIL.75X25 M12 SH70	CYLINDER GUARD 75X25 M12 SH71	TAMPON CIL. 75X25 M12	PUFFER CIL. 75X25 M12	PARACHOQ. CIL. 75X25 M12
39	G18701770	RONDELLA 50 X90 X0,5	WASHER 50 X90 X0,5	RONDELLE 50 X90 X0,5	UNTERLEGSCHLEIBE 50 X90 X0,5	ARANDELA 50 X90 X0,5
40	F01020166	VITE M12X1,75X80 U5737 8.8ZN	SCR. M12X1,75X80 U5737 8.8ZN	VIS M12X1,75X80 U5737 8.8ZN	SCHRA. M12X1,75X80 U5737 8.8ZN	TORN. M12X1,75X80 U5737 8.8ZN
41	F01230291	DADO M30X2 D985 ZN	NUT M30X2 D985 ZN	ECROU AUTOB. M30X2 DIN 985 ZN	SELBSTSP. MU. M30X2 DIN 985 ZN	TUERCA AUTOB. M30X2 DIN 985 ZN
42	G15413210	TAPPO TELAIO 120 COMPL.	FRAME PLUG 120 COMPL.			
43	G15817001	PUNTELLO TEL. PIEG.ORIETTA	PROP FLEXIBLE FRAME			
44	F01220059	DADO M14X1,5 D980 8ZN	NUT M14X1,5 D980 8ZN	ECROU M14X 1,5 D980 8 ZN	MUTTER M14X 1,5 D980 8 ZN	TUERCA M14X 1,5 D980 8 ZN
45	G22505031	TUBO TELAIO L=2800	FRAME PIPE L=2800	TUBE BATI L=2800	ROHR RAHMEN L=2800	TUBO BASTIDOR L=2800
46	F01020225	VITE M14X2X160 U5737 8.8BR	SCR. M14X2X160 U5737 8.8BR	VIS M 14 X160 5737 8.G	SCHRAUBE M 14 X160 5737 8.G	TORNILLO M 14 X160 5737 8.G
47	G16610100	TUBO TELAIO FISSO L.3000 Q.150	FIXED FRAME PIPE L.3000 Q.150	TUBE BATI FIXE L.3000 Q.150	ROHR FIXER RAHMEN L.3000 Q.150	TUBO BASTIDOR FIJO L.3000 Q150
48	G15211690	TUBO TELAIO FISSO L.2500 Q.150	FIXED FRAME PIPE L.2500 Q.150	TUBE BATI FIXE L.2500 Q.150	ROHR FIXER RAHMEN L.2500 Q.150	TUBO BASTIDOR FIJO L.2500 Q150
49	G14217260	TUBO R.150X100X6X2650	RECTANGULAR PIPE 150X100X2650	TUBE RECT. 150X100X6X2650	R. ROHR 150X100X6X2650	TUBO RECT. 150X100X6X2650
50	G14218890	FERMO TELAIO	FRAME STOP	ARRET BATI	FESTSTELLVORRICHTUNG	BLOQUEO BASTIDOR
51	G14218852	BRACCIO INF.L1590	LOWER ARM L.1590			
52	G14218831	BRACCIO SUP.L=1590	TOP ARM L.1590			
53	G14217390	TUBO R.150X100X6X2800	RECTANGULAR PIPE 150X100X2800	TUBE RECT. 150X100X6X2800	R. ROHR 150X100X6X2800	TUBO RECT. 150X100X6X2800
54	G14217400	TUBO TELAIO 150X100X3200	FRAME PIPE 150X100X3200	TUBE BATI 150X100X3200	ROHR RAHMEN 150X100X3200	TUBO BASTIDOR 150X100X3200
55	G16610050	TUBO R.150X100X2480	RECTANGULAR PIPE 150X100X2480	TUBE RECT.150X100X6X2480	R. ROHR150X100X6X2480	TUBO RECT.150X100X6X2480
56	G14219190	TUBO Q.150X 8X1200	TUBE Q.150X 8X1200			
57	G14217270	TUBO R.150X100X6X1480	RECTANGULAR PIPE 150X100X 1480	TUBE RECT.150X100X6X1480	R. ROHR 150X100X6X1480	TUBO RECT. 150X100X6X1480
58	G14218860	TUBO R.150X100X6X1200	RECTANGULAR PIPE 150X100X 1200	TUBE RECT.150X100X6X1200	R. ROHR 150X100X6X1200	TUBO RECT. 150X100X6X1200
59	G16610110	TAPPO TELAIO 150X100 COMPL.	COMPL. FRAME PLUG 150X100 B319	BOUCHON CH-SSIS 150X100 COMPL.	PFRÖPFEN RAHMEN 150X100 KOMPL.	TAPEN BASTIDOR 150X100 COMPL.
60	F20120401	FASCETTA FERMA CARDANO ZN	SHAFT HOOK SUPPORT	SUPPORT CARDAN	GELENKWELLE HACKEN HALTER	SOPORTE CARDAN
61	G14219860	TELAIO MOBILE SX TC	MOBILE LEFT FRAME TC			
62	G14219850	TELAIO MOBILE DX TC	MOBILE RIGHT FRAME TC			
63	G14219880	TELAIO PORTANTE TC	MAIN FRAME TC			

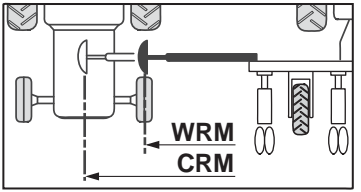
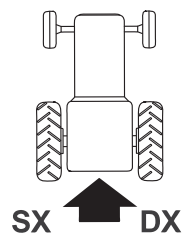
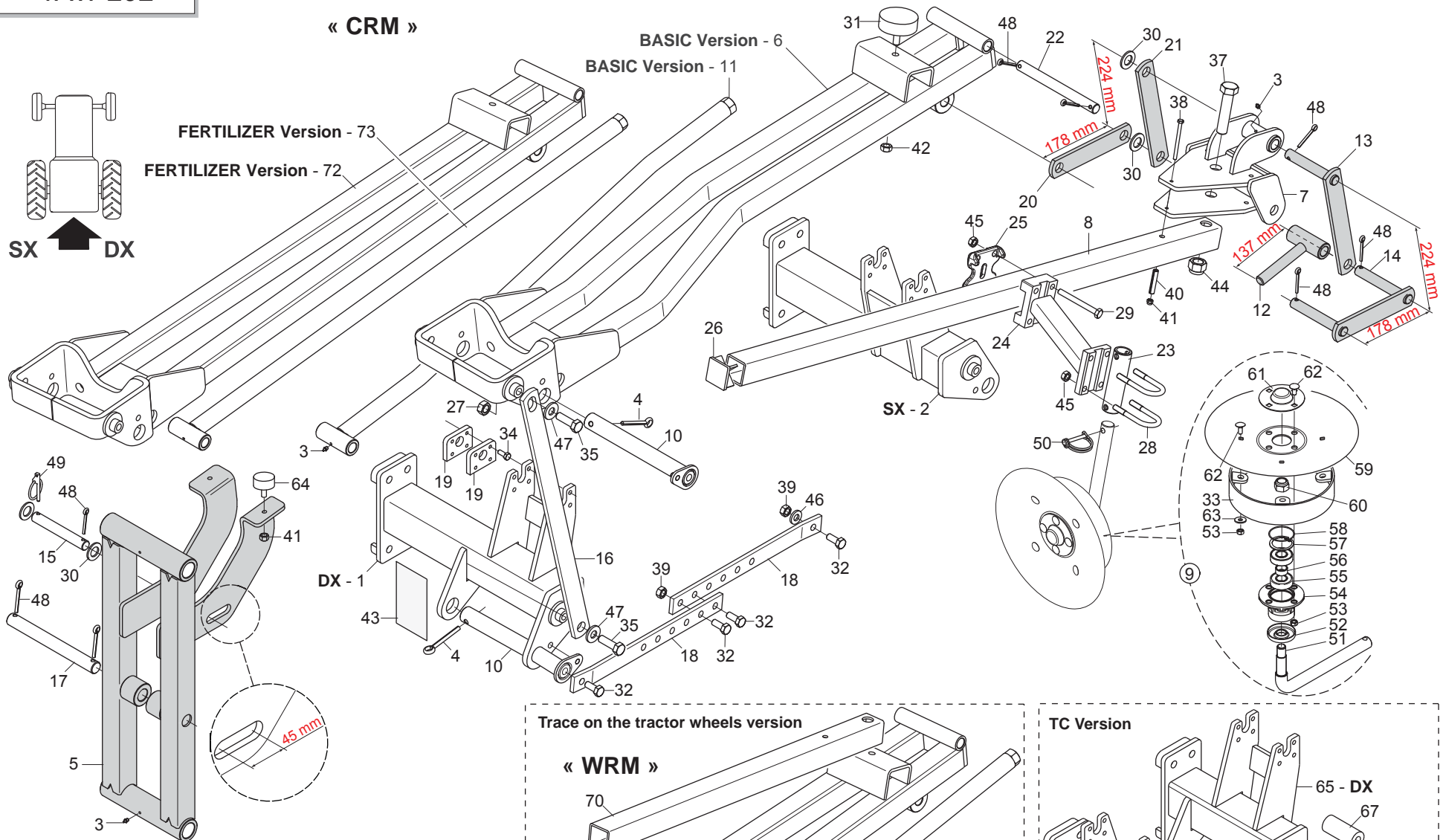


# IMPIANTO TELAIO PIEGHEVOLE

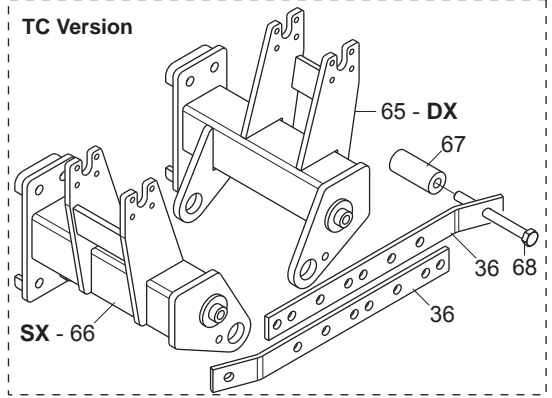
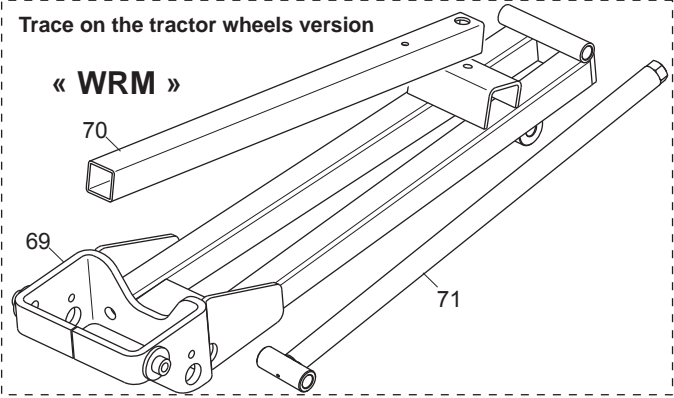
TAV. 282

Pos.	Cod.	Descrizione	Description	Description	Benennung	Descripcion
1	G14217120	TUBO 3/8R2 CF3/8- M3/8 3350	PIPE 3/8R2 CF3/8- M3/8 L.3350	TUBE 3/8R2 CF3/8- M3/8 L.3350	ROHR 3/8R2 CF3/8- M3/8 L.3350	TUBO 3/8R2 CF3/8- M3/8 L.3350
2	F03150935	INNESTO RAP.MASCH.1/2 A VALV.	QUICK CONNECT MALE CONE 1/2	CONNEXION RAPIDE MALE CONE 1/2	SCHNELLKUPP.GEWINDE KONISC 1/2	ACOPLAMIENT.RAP.MACHO CONO 1/2
3	F03151401	RONDELLA BONDED SEAL 3/8" NBR	WASHER BONDED SEAL 3/8" NBR			
4	F03151370	RONDELLA BONDED SEAL 1/2" NBR	WASHER BONDED SEAL 1/2" NBR			
5	F03150222	NIPPLO MM CIL-CIL 1/2-3/8 ZG	NIPPLE M-M CYL-CYL 1/2-3/8 ZG	NIPPLE H-H CIL-CIL 1/2-3/8 ZG	NIPPEL M-M CIL-CIL 1/2-3/8 ZG	NIPLE H-H CIL-CIL 1/2-3/8 ZG
6	F03150321	NIPPLO MM CIL-CIL 3/8-3/8 ZG	NIPPLE MM CIL-CIL 3/8-3/8 ZN	NIPPLE MM CIL-CIL 3/8-3/8 ZN	NIPPLEZYL MM 3/8-3/8 ZN	NIPLE MM CIL-CIL 3/8-3/8 ZN
7	F03151223	RACCORDO VITE CAVA 3/8" L=39MM	UNION BOLT 3/8	VIS 3/8	SCHRAUBE 3/8	TORNILLO CAVA 3/8
8	F03151252	STROZZATORE UNIDIREZ.VSRU 3/8	UNI-DIRECTIONAL VENTURI 3/8	ETRANGLEUR UNIDIRECTIONN. 3/8	ZWEIS. DROSSEL 3/8	ESTRANGULADOR UNIDIRECCION.3/8
9	F03150589	KIT VALVOLA DI BLOCCO 3/8 DE	PIL. BLOCK VALVE VBPDE38EC	SOUPAPE BLOC GUIDE VBPDE38EC	GEST. SPERRVENTIL VBPDE38EC	VæLVULABLOQUE PIL.VBPDE38EC
10	F03151213	NIPPLO MF CIL-CIL 1/2-3/8 ZN	M 1/2-F 3/8 CONNECTION PIPE	RACCORD REDUCTION FINALEM 1/2-	ANSCHLUSS REDUKTIONM 1/2-F 3/8	UNION REDUCCION M ç-F 3/8
11	F05150325	CAPPUC.F X INN.M RAP.1/2 ROSSO	COVER CONNECT F 1/2 RED	COUVERCLE CONNEXION F 1/2 ROSE	DECKEL W 1/2 SCHNELLKUPP. ROT	PAC PROTECCION F 1/2 ROJO
12	G14217513	CILINDRO DOPPIO STADIO SI-MTI	CYLINDER 2STEPS SI-MTI			
13	G16117780	TUBO 3/8R2 CF3/8- F3/8 1450	PIPE 3/8R2 CF3/8-F3/8 1450			
14	F03151220	RACCORDO -T- MASCHIO 3/8 ZN	MALE T-UNION 3/8 ZN	RACCORD -T- MALE 3/8 ZN	ANSCHLUSSTsCK-T-GEWINDE 3/8 ZN	UNION -T-MACHO 3/8 ZN
15	G22280116	TUBO 3/8-R2 F3/8-M1/2 MT.1,50	PIPE 3/8-R1 F3/8-M1/2 MT.1-50	TUBE 3/8-R1 F3/8-M1/2 M. 1-50	ROHR 3/8-R1 F3/8-M1/2 M 1-50	TUBO 3/8-R1 F3/8-M1/2 MT.1-50
16	F03151211	RACCORDO OCCHIO 3/8 D.12 L.300	EYE UNION 3/8 D.12 L.300	RACCORD OEIL 3/8 D.12 L.300	TSENVERBINDUNGSSTsCK 3/8 D.12	UNIN OJO 3/8 O.12 L.300 R
17	F03151212	RACCORDO PROLUNGA CORTA 3/8 ZN	SHORT EXTENSION UNION 3/8 ZN	RACCORD RALLONGE COURTE 3/8 ZN	ANSCHL.KURZE VERLZNG. 3/8 ZN	UNIN PROLONG. CORTA 3/8 ZN P
18	F03150255	NIPPLO MASCH.CIL.1/2-1/2 ZN	NIPPLE M. CYL. 1/2-1/2 ZN	NIPLE M. CYL. 1/2 - 1/2 ZN	NIPLE F. ZYL. 1/2-1/2 ZN	NIPLE M. CIL. 1/2 - 1/2 ZN
19	F03150575	VALVOLA A SFERA G1/2 F-F PN500	BALL VALVE G1/2 F-F PN500	CLAPET SFERA G1/2 F-F PN500	VENTIL SFERA G1/2 F-F PN500	VALVULA SFERA G1/2 F-F PN500
20	F03100633	KIT GUAR.STELO-C.LUNGA14217513	KIT O-RING CYLINDER G14217513			
21	F03100634	KIT GUAR.STELO-C.CORTA14217513	KIT O-RING CYLINDER G14217513			
22	F03100178	KIT GUARNIZ.CILINDRO 14216770	KIT O-RING CYLINDER 15312720	KIT GARNIT. CYLINDRE 15312720	KIT DICHT.OR ZYLINDER15312720	SET JUNTA OR CILINDRO15312720
23	G14215302	CILINDRO DE 40X80X335	CYLINDER 40X80X335	CYLINDRE 40X80X335	ZYLINDER 40X80X335	CILINDRO 40X80X335

« CRM »



- « CRM »: trace on the tractor center.
- « WRM »: trace on the tractor wheels.
- BASIC Version: without Fertilizer Hopper.
- FERTILIZER Version: with Fertilizer Hopper.
- TC Version: Compact frame.



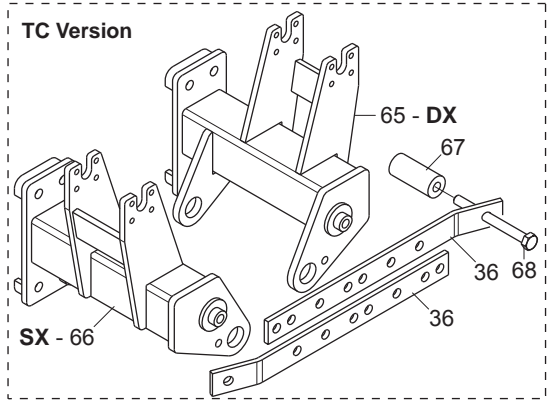
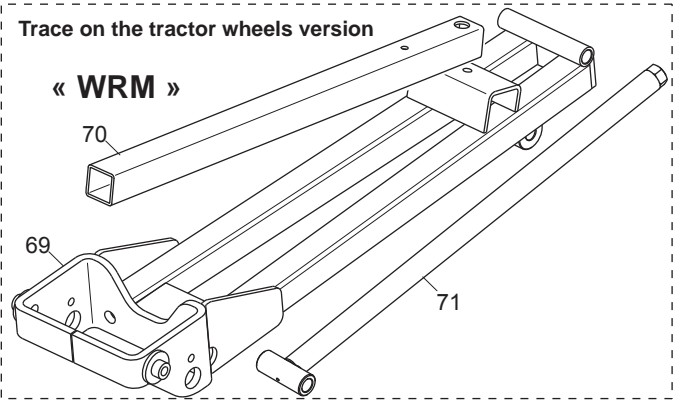
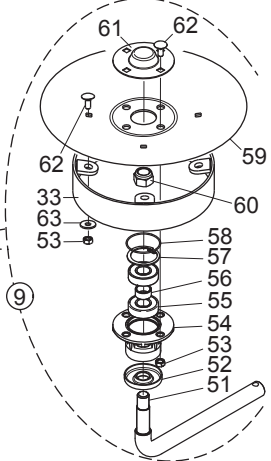
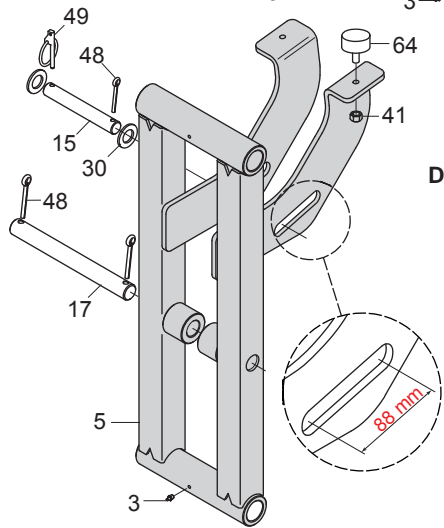
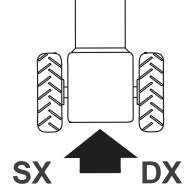
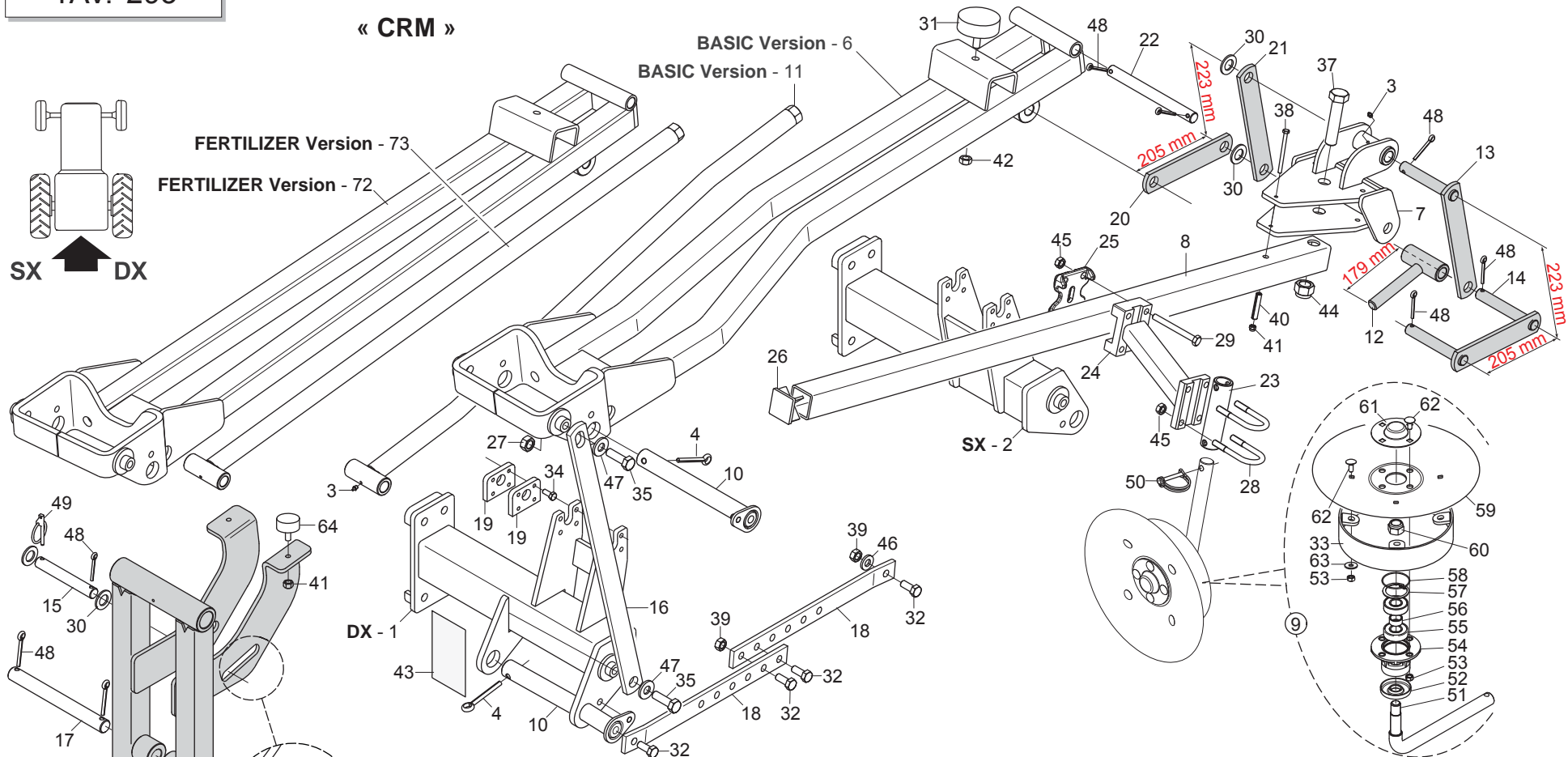
# SEGNAFIL PER TELAIO PIEGHEVOLE

TAV. 292

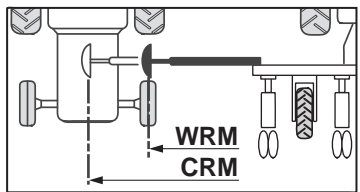
Pos.	Cod.	Descrizione	Description	Description	Benennung	Descripcion
1	G14218073	SUPPORTO DX LUNGO	RIGHT SUPPORT LONG	SUPPORT DRT LONG	HALTERUNG RE LANGES	SOPORTE DER LARGO
2	G14218083	SUPPORTO SX LUNGO	LEFT SUPPORT LONG	SUPPORT GCH LONG	HALTERUNG LI LANGES	SOPORTE IZQ LARGO
3	F01100011	ING.M 6X1 7663-A 9SMNPB28 ZN	GREASE NIPPLE M6X1 7663-A ZN	GRAISS. A BILLE M6X1 7663A ZN	SCHMIERBUECHE M6X1 7663-A ZN	ENGRAS. DE ESFE. M6X1 7663-AZN
4	F02200260	COPIGLIA 8 X60 1336 ZN	SPLIT PIN 8 X60 1336 ZN	GOUPILLE 8 X60 1336 ZN	SPLINT 8 X60 1336 ZN	PASADOR 8 X60 1336 ZN
5	G14218321	BRACCIO SPINTA	PRESS. ARM	POUSSEE BRAS	ARMSCHUB	APRIETE BRAZO
6	GA4210950	SECONDO BRACCIO CRM DX	SECOND RIGHT ARM CRM			
7	G14218372	TESTA TERZO BRACCIO	ARM COUPLING	FIXATION BRAS	ARMKUPPLUNG	CONEXIÉN BRAZO
8	G14218121	TUBO TERZO BRACCIO	THIRD ARM TUBE	TUBE TROISIEME BRAS	ROHR DRITTER ARM	TUBO TERCER BRAZO
9	G16610222	MONT.DISCO D.320 LIM.	ROWMARKET DISC D.320 ASSEMBLY			
10	G14218190	SPINA ROTAZIONE ZN	ROTATION PIN ZN	GOUPILLE ROTATION ZN	ROTATIONSSTIFT ZN	PASADOR ROTACIÉN ZN
11	GA4211100	TIRANTE INF.	LOWER TIE ROD			
12	G14218210	REGOLAZIONE TIRANTE	TIE ROD ADJUSTMENT	REGLAGE TIRANT	SPANNSTANGENSTELLUNG	REGULACIÉN TIRANTE
13	G14218470	ASTA ROTAZIONE SUP.	UPPER ROTATION ROD	TIGE DE ROTATION SUP.	ROTATIONSTANGE OBEN	VARILLA DE ROTACIÉN SUPERIOR
14	G14218450	ASTA ROTAZIONE INF.	LOWER ROTATION ROD	TIGE DE ROTATION INF.	ROTATIONSTANGE UNTEN	VARILLA DE ROTACIÉN INFERIOR
15	G14218750	SPINA D.20 X124 ZN	GALVANIZED PIN D.20 X124	GOUPILLE D.20 X124 ZN	STIFT D.20 X124 ZN	CLAVIJA D.20 X124 ZN
16	G14218162	TIRANTE ROTAZIONE	ROTATION TIE ROD			
17	G14218200	SPINA DI SPINTA ZN	PRESS. PIN	POUSSEE BROCHE	STIFTSCHUB	APRIETE CLAVIJA
18	G14215840	TIRANTE SEGNAFILE	ROWMARKER TIE ROD	TRINGLE TRACEUR	SPANNSTANGE SPURREISSER	TIRANTE MARCADOR DE FILAS
19	G14218150	PIASTRINA FISSAGGIO CILINDRO	SECURING PLATE	PLAQUE FIXATION	BEFESTIGUNGSPLATTE	PLACA FIJACI-N
20	G14218430	ASTA ROTAZIONE INFERIORE	LOWER ROTATION ROD	TIGE DE ROTATION INF.	ROTATIONSTANGE UNTEN	VARILLA DE ROTACIÉN INFERIOR
21	G14218460	ASTA ROTAZIONE SUPERIORE	UPPER ROTATION ROD	TIGE DE ROTATION SUP.	ROTATIONSTANGE OBEN	VARILLA DE ROTACIÉN SUPERIOR
22	G14215850	SPINA 20 X194 ZN	GALVANIZED PIN 20 X194	GOUPILLE 20 X194 ZN	STIFT 20 X194 ZN	CLAVIJA 20 X194 ZN
23	G17111290	MANICOTTO DISCO ZN	DISC SLEEVE U BOLT	MANCHON DISQUE	SCHIEBENMUFFE	MANGUITO DISCO
24	G14219030	SUPPORTO ESTERNO DISCO	DISC EXT. SUPPORT	SUPPORT EXT. DISQUE	ZUSSERE HALTERUNG SCHEIBEN	SOPORTE EXT. DISCO
25	G19204230	SUPPORTO MANICOTTO TQ.50	SLEEVE SUPPORT TQ.50			
26	F20120349	PUNTALE Q.50 ALETTI.POLIT.NERO	CAP	BOUCHON	DECKEL	CORCHO
27	F01220266	DADO M16X2 D980 8ZN	NUT M16X2 D980 8ZN	ECROU M16X 2 D980 8 ZN	MUTTER M16X 2 D980 8 ZN	TUERCA M16X 2 D980 8 ZN
28	F20110855	CAV.T.M10X 1.5X 25 46X58.5 ZN	U BOLT T.M10X1.5X25 46X58.5			
29	F01020132	VITE M10X1.5X90 U5737 10.9ZD	SCREW M10X1.5X90 U5737 10.9ZD	VIS M10X1.5X90 U5737 10.9ZD	SCHRAU.M10X1.5X90 U5737 10.9ZD	TORN.M10X1.5X90 U5737 10.9ZD
30	F01410124	ROS.M20 21X 37X 3 U6592 ZN	WASHER M20 21X 37X 3 U6592 ZN	RONDEL.M20 21X 37X 3 U6592 ZN	MUTTER M20 21X 37X 3 U6592 ZN	ARANDELA M20 21X37X3 U6592 ZN
31	F05150459	PARACOLPI CIL.75X25 M12 SH70	CYLINDER GUARD 75X25 M12 SH71	TAMPON CIL.75X25 M12	PUFFER CIL.75X25 M12	PARACHOQ. CIL.75X25 M12
32	F01020544	VITE M14X2X40 U5739 8.8ZN	SCR. M14X2X40 U5739 8.8ZN	VIS M14X2X40 U5739 8.8ZN	SCHR.M14X2X40 U5739 8.8ZN	TOR.M14X2X40 U5739 8.8ZN
33	G16610210	ASS.LIMITATORE PROFONDITA'	LIMITER DEPTH COUPLYNG	GR. ASS. LIMITEUR DE PROFONDEUR	TIEFENBEGRENZERKOMPLEX	CONJ. LIMITADOR DE PROFUNDIDAD
34	F01020436	VITE M8X1.25X20 U5739 8.8ZN	SCR. M8X1.25X20 U5739 8.8ZN	VIS M8X1.25X20 U5739 8.8ZN	SCHRAUBE M8X1.25X20 U5739 8.8ZN	TORN. M8X1.25X20 U5739 8.8 ZN
35	F01020576	VITE M16X2X65 U5739 8.8ZN	SCR. M16X2X65 U5739 8.8ZN	VIS M16X2X65 U5739 8.8 ZN	SCHRAUBE M16X2X65 U5739 8.8 ZN	TORNILLO M16X2X65 U5739 8.8 ZN
36	G14217050	TIRANTE SUPPORTO SEGNAF.	ROW MARKER SUPPORT TIE ROD	TRINGLE SUPPORT TRACEUR	SPANNSTANGE HALTERUNG SPURR.	TIRANTE SOPORTE MARCADOR
37	F01020312	VITE M20X2.5X100 U5737 8.8ZN	SCR. M20X2.5X100 U5737 8.8ZN	VIS M20X2.5X100 U5737 8.8ZN	SCHRA.M20X2.5X100 U5737 8.8 ZN	TORN. M20X2.5X100 U5737 8.8 ZN
38	F01020086	VITE M8X1.25X80 U5737 8.8ZN	SCR. M8X1.25X80 U5737 8.8ZN	VIS M8X1X80	SCHRAUBE M8X1X80	TORNILLO M8X1X80
39	F01200306	DADO M14X2 U5588 6.8ZN	NUT M14X2 U5588 6.8ZN	ECROU M14X2	MUTTER M14X2	DADO M14X2
40	F02100197	SPINA E.P. 14X 50 U6873 C70 BR	PIN E.P. 14X 50 U6873 C70 BR	GOUPILLE E.P. 14X50 U6873 C70	SPANNSTIFT E.P.14X50 6873 C70	
41	F01230034	DADO M8X1.25 D982 8	NUT M8X1.25 D982 8ZN	ECROU M8X 1,25 D982 8 ZN	MUTTER M8X 1,25 D982 8 ZN	TUERCA M8X 1,25 D982 8 ZN
42	F01220048	DADO M12X1.75 D980 8ZN	NUT M12X1.75 D980 8ZN	ECROU M12X1,75 D980 8 ZN	SCHIEBE M12X1,75 D980 8 ZN	TUERCA M12X1,75 D980 8 ZN
43	F20030078	DECALCON CADUTA UTENSILI	øTOOLS FALLING DOWNø TRANSFER	DECALC. CHUTE OUTILS	AUFKLEBERABSTURZ WERKZEUGE	ETIQUETA ADHES. CAIDA HERRAMIE
44	F01230131	DADO M20X2.5 D982 6ZN	NUT M20X2.5 D982 6ZN	ECROU M20X,5 D982 6ZN	MUTTER M20X2,5 D982 6ZN	TUERCA M20X2,5 D982 6ZN
45	F01200270	DADO M10X1.5 U5588 6.8ZN	NUT M10X1,5 U5588 6.8ZN	ECROU M10X 1,5 U5588 6.8 ZN	MUTTER M10X 1,5 U5588 6.8 ZN	TUERCA M10X 1,5 U5588 6.8 ZN
46	G20970142	RONDELLA 32X4X15.5	WASHER 32X4X15.5	RONDELLE 32X4X15-5	UNTERLEGSSCHEIBE 32X4X15-5	ARANDELA 32X4X15-5
47	G18700450	RONDELLA 17 X45 X6 ZN	WASHER 17X45X6 GALV.ED			
48	F02200227	COPIGLIA 5X 30 U1336 ZN	PIN 5X 30 U1336 ZN			
49	F02200463	SPINA SCATTORE D.5 B/81 ZN	SNAP PIN D5 B/81 ZN	FICHE A DETENTE D5 B/81 ZN	EINRASTSTIFT D5 B/81 ZN	CLAVIJA DE MUELLE D5 B/81 ZN
50	F02100312	SPINA DI SICUREZZA D.8X45 ZN	SAFETY PIN D.8X45 ZN	FICHE EL.DE SECURITE D.8X45 ZN	SCHERSTIFT D.8X45 ZN	CLAVIJA DE SEGURIDAD D 8X45 ZN
51	G16610180	PERNO REGGIDISCO SEGNAF.	ROWMARKER DISCHOLDER PIN			
52	G18802790	BOCCOLA 20 X25 X7 ZN B.	BUSHING 25 X20 X7 ZN B.	BOITE 25 X20 X7 ZN B.	B CHSE 25 X20 X7 ZN B.	CASQUILLO 25 X20 X7 ZN B
53	F01200244	DADO M8X1.25 U5588 6.8ZN	NUT M8X1,25 U5588 6.8ZN	ECROU M8 X1,25 U5588 6.8 ZN	MUTTER M8 X1,25 U5588 6.8 ZN	TUERCA M8 X1,25 U5588 6.8 ZN
54	G16610160	SUPP.CUSCINETTI DISCO SEGNAF.	GALVAN. ROWMARKER DISK BEARING			
55	F04010156	CUSC.d20 D47 B14 6204 2RSH	BEARING d20 D47 B14 6204 2RSH	SUPPORT ROULEMENTS DISQUE TRAC	SCHIEBENLAGERHALTERUNG	SOPORTE COJINETE DE DISCO MARC
56	G18801270	BOCCOLA 21 X25 X12 ZN B.	BUSHING 21 X25 X12 ZN			
57	F02050370	ANELLO E. DI 47X1.75 U7437 C70	SEEGER RING 47X 1,75 U7437 C70	SEEGER E. 47X 1,75 U7437 C70	SEEGERING E. 47X1,75 U7437 C70	ANILLO E. 47X 1,75 U7437 C70
58	F03010576	ANELLO OR 50.52X1.78 NBR	GASKET OR 50.52X1.78 NBR	BAGUE OR 50.52X1.78 NBR	RING OR 50.52X1.78 NBR	ANILLO OR 50.52X1.78 NBR
59	G16610170	DISCO SEGNAFILE D.320	ROW MARKER DISK D.320	DISQUE TRACEUR D320	SPURREISSERSCHIEBE D. 320	DISCO MARCADOR DE FILAS O 320
60	F01230098	DADO M18X2.5 D982 8ZN	NUT M18X2,5 D982 8 ZN	ECROU M18X 2,5 D982 8 ZN	MUTTER M18X 2,5 D982 8 ZN	TUERCA M18X 2,5 D982 8 ZN
61	G16610190	CHIUSURA CUSCINETTO ZN	END BEARING ZN			
62	F01060040	VITE M8X1.25X20 U5731 8.8ZN	SCR. M8X1.25X20 U5732 4.6ZG	VIS M8X1.25X20 U5732 4.6 ZN	SCHRA. M8X1.25X20 U5732 4.6 ZN	TORN. M8X1.25X20 U5732 4.6 ZN
63	F01420048	ROS.M8 8,4X 24X 2 U6593 ZN	WASHER M8 8,4X 24X2 U6593 ZN	RONDELLE M8 8,4X24X 2 U6593 ZN	SCHIEBEN M8 8,4X24X 2 U6593 ZN	ARANDELA M8 8,4X 24X2 U6593 ZN
64	G16242560	PARACOLPI 30X8 M8X30	BUFFER 30X8 M8X30	PARE-CHOC30X8 M8X30	STOSSDAMPFER 30X8 M8X30	ARAGOLPES 30X8 M8X30
65	G14218233	SUPPORTO DX CORTO	RIGHT SUPPORT SHORT	SUPPORT DRT COURT	HALTERUNG RE KURZER	SOPORTE DER CORTO
66	G14218243	SUPPORTO SX CORTO	LEFT SUPPORT SHORT	SUPPORT GCH COURT	HALTERUNG LI KURZER	SOPORTE IZQ CORTO
67	G14217020	BOCCOLA 15 X35 X80	BUSHING 15 X35 X80	BOITE 15 X35 X80	B CHSE 15 X35 X80	CASQUILLO 15 X35 X80
68	F01020218	VITE M14X2X130 U5737 8.8ZN	SCR. M14X2X130 U5737 8.8ZN	VIS M 14X130	SCHRAUBE M 14X130	TORNILLO M 14X130
69	G14218982	SECONDO BRACCIO CORTO	2ND ARM SHORT			
70	G14219001	TUBO TERZO BRACCIO CORTO	THIRD ARM TUBE SHORT	TUBE TROISIEME BRAS COURT	ROHR DRITTER ARM KURZER	TUBO TERCER BRAZO CORTO
71	G14219011	TIRANTE ROTAZIONE BRACCIO	ARM ROTATION TIE ROD	TRINGLE ROTATION BRAS	ROTATIONS SPANNSTANGE ARM	ROTATIONS SPANNSTANGE BRAZO
72	G14218112	SECONDO BRACCIO	2.ARM	2.BRAS	2.ARM	2.ARM
73	G14218520	TIRANTE ROTAZIONE	ROTATION TIE ROD	TRINGLE ROTATION	ROTATIONS SPANNSTANGE	ROTATIONS SPANNSTANGE



« CRM »



- « CRM »: trace on the tractor center.
- « WRM »: trace on the tractor wheels.
- BASIC Version: *without* Fertilizer Hopper.
- FERTILIZER Version: *with* Fertilizer Hopper.
- TC Version: Compact frame.

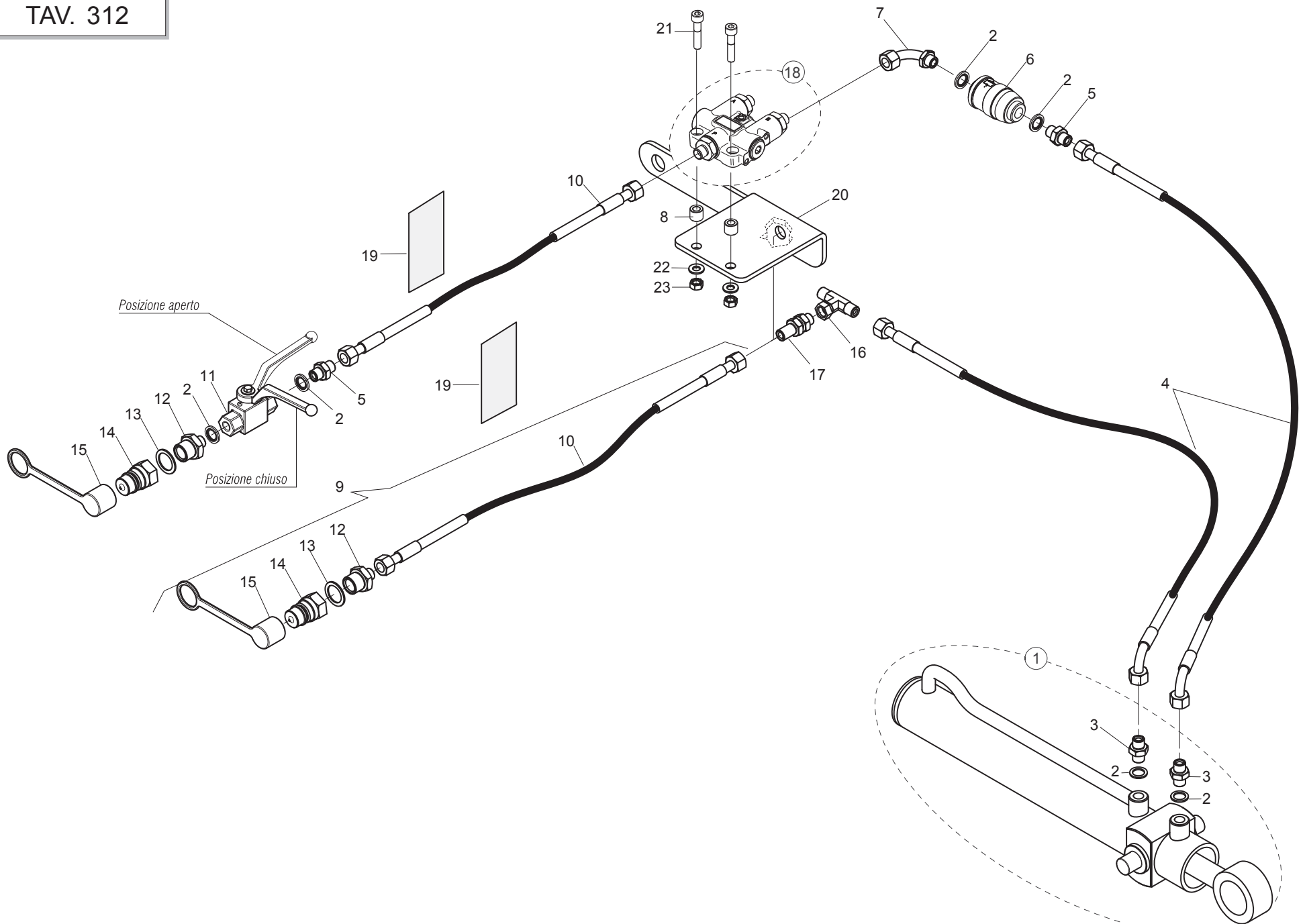




# SEGNAFILE PER TELAIO PIEGHEVOLE

TAV. 293

Pos.	Cod.	Descrizione	Description	Description	Benennung	Descripcion
1	G14218073	SUPPORTO DX LUNGO	RIGHT SUPPORT LONG	SUPPORT DRT LONG	HALTERUNG RE LANGES	SOPORTE DER LARGO
2	G14218083	SUPPORTO SX LUNGO	LEFT SUPPORT LONG	SUPPORT GCH LONG	HALTERUNG LI LANGES	SOPORTE IZQ LARGO
3	F01100011	ING.M 6X1 7663-A 9SMNPB28 ZN	GREASE NIPPLE M6X1 7663-A ZN	GRAISS. A BILLE M6X1 7663A ZN	SCHMIERBUETICHE M6X1 7663-A ZN	ENGRAS. DE ESFE. M6X1 7663-AZN
4	F02200260	COPIGLIA 8 X60 1336 ZN	SPLIT PIN 8 X60 1336 ZN	GOUPILLE 8 X60 1336 ZN	SPLINT 8 X60 1336 ZN	PASADOR 8 X60 1336 ZN
5	GA4211690	BRACCIO SPINTA	PRESS. ARM			
6	GA4210950	SECONDO BRACCIO CRM DX	SECOND RIGHT ARM CRM			
7	G14218372	TESTA TERZO BRACCIO	ARM COUPLING	FIXATION BRAS	ARMKUPPLUNG	CONEXIEN BRAZO
8	G14218121	TUBO TERZO BRACCIO	THIRD ARM TUBE	TUBE TROISIEME BRAS	ROHR DRITTER ARM	TUBO TERCER BRAZO
9	G16610222	MONT.DISCO D.320 LIM.	ROWMARKET DISC D.320 ASSEMBLY			
10	G14218190	SPINA ROTAZIONE ZN	ROTATION PIN ZN	GOUPILLE ROTATION ZN	ROTATIONSSTIFT ZN	PASADOR ROTACION ZN
11	GA4211100	TIRANTE INF.	LOWER TIE ROD			
12	GA4211770	REGOLAZIONE TIRANTE	TIE ROD ADJUSTMENT			
13	GA4211720	ASTA ROTAZIONE SUP.	UPPER ROTATION ROD			
14	GA4211700	ASTA ROTAZIONE INF.	LOWER ROTATION ROD			
15	G14218750	SPINA D.20 X124 ZN	GALVANIZED PIN D.20 X124	GOUPILLE D.20 X124 ZN	STIFT D.20 X124 ZN	CLAVIJA D.20 X124 ZN
16	G14218162	TIRANTE ROTAZIONE	ROTATION TIE ROD			
17	G14218200	SPINA DI SPINTA ZN	PRESS. PIN	POUSSEE BROCHE	STIFTSCHUB	APRIETE CLAVIJA
18	G14215840	TIRANTE SEGNAFILE	ROWMARKER TIE ROD	TRINGLE TRACEUR	SPANNSTANGE SPURREISSER	TIRANTE MARCADOR DE FILAS
19	G14218150	PIASTRINA FISSAGGIO CILINDRO	SECURING PLATE	PLAQUE FIXATION	BEFESTIGUNGSPLATTE	PLACA FIJACI-N
20	GA4211710	ASTA ROTAZIONE INFERIORE	LOWER ROTATION ROD			
21	GA4211730	ASTA ROTAZIONE SUPERIORE	UPPER ROTATION ROD			
22	G14215850	SPINA 20 X194 ZN	GALVANIZED PIN 20 X194	GOUPILLE 20 X194 ZN	STIFT 20 X194 ZN	CLAVIJA 20 X194 ZN
23	G17111290	MANICOTTO DISCO ZN	DISC SLEEVE U BOLT	MANCHON DISQUE	SCHIEBENMUFFE	MANGUITO DISCO
24	G14219030	SUPPORTO ESTERNO DISCO	DISC EXT. SUPPORT	SUPPORT EXT. DISQUE	ZUSSERE HALTERUNG SCHEIBEN	SOPORTE EXT. DISCO
25	G19204230	SUPPORTO MANICOTTO TQ.50	SLEEVE SUPPORT TQ.50			
26	F20120349	PUNTALE Q.50 ALETTI.POLIT.NERO	CAP	BOUCHON	DECKEL	CORCHO
27	F12220266	DADO M16X2 D980 8ZN	NUT M16X2 D980 8ZN	ECROU M16X 2 D980 8 ZN	MUTTER M16X 2 D980 8 ZN	TUERCA M16X 2 D980 8 ZN
28	F20110855	CAV.T.M10X 1.5X 25 46X58.5 ZN	U BOLT T.M10X1.5X25 46X58.5			
29	F01020132	VITE M10X1.5X90 U5737 10.9ZD	SCREW M10X1.5X90 U5737 10.9ZD	VIS M10X1.5X90 U5737 10.9ZD	SCHRAU.M10X1.5X90 U5737 10.9ZD	TORN.M10X1.5X90 U5737 10.9ZD
30	F01410124	ROS.M20 21X 37X 3 U6592 ZN	WASHER M20 21X 37X 3 U6592 ZN	RONDEL.M20 21X 37X 3 U6592 ZN	MUTTER M20 21X 37X 3 U6592 ZN	ARANDELA M20 21X37X3 U6592 ZN
31	F05150459	PARACOLPI CIL.75X25 M12 SH70	CYLINDER GUARD 75X25 M12 SH71	TAMPON CIL. 75X25 M12	PUFFER CIL. 75X25 M12	PARACHOO. CIL. 75X25 M12
32	F01020544	VITE M14X2X40 U5739 8.8ZN	SCR. M14X2X40 U5739 8.8ZN	VIS M14X2X40 U5739 8.8ZN	SCHR.M14X2X40 U5739 8.8ZN	TOR.M14X2X40 U5739 8.8ZN
33	G16610210	ASS.LIMITATORE PROFONDITA'	LIMITER DEPTH COUPLYNG	GR. ASS. LIMITEUR DE PROFONDEUR	TIEFENBEGRENZERKOMPLEX	CONJ. LIMITADOR DE PROFUNDIDAD
34	F01020436	VITE M8X1.25X20 U5739 8.8ZN	SCR. M8X1.25X20 U5739 8.8ZN	VIS M8X1.25X20 U5739 8.8ZN	SCHRAUBE M8X1.25X20 U5739 8.8ZN	TORN. M8X1.25X20 U5739 8.8ZN
35	F01020576	VITE M16X2X65 U5739 8.8ZN	SCR. M16X2X65 U5739 8.8ZN	VIS M16X2X65 U5739 8.8ZN	SCHRAUBE M16X2X65 U5739 8.8ZN	TORNILLO M16X2X65 U5739 8.8ZN
36	G14217050	TIRANTE SUPPORTO SEGNAFILE	ROW MARKER SUPPORT TIE ROD	TRINGLE SUPPORT TRACEUR	SPANNSTANGE HALTERUNG SPURR.	TIRANTE SOPORTE MARCADOR
37	F01020312	VITE M20X2.5X100 U5737 8.8ZN	SCR. M20X2.5X100 U5737 8.8ZN	VIS M20X2.5X100 U5737 8.8ZN	SCHRA.M20X2.5X100 U5737 8.8ZN	TORN.M20X2.5X100 U5737 8.8ZN
38	F01020086	VITE M8X1.25X80 U5737 8.8ZN	SCR. M8X1.25X80 U5737 8.8ZN	VIS M8X1X80	SCHRAUBE M8X1X80	TORNILLO M8X1X80
39	F01200306	DADO M14X2 U5588 6.8ZN	NUT M14X2 U5588 6.8ZN	ECROU M14X2	MUTTER M14X2	DADO M14X2
40	F02100197	SPINA E.P. 14X 50 U6873 C70 BR	PIN E.P. 14X 50 U6873 C70 BR	GOUPILLE E.P. 14X50 U6873 C70	SPANNSTIFT E.P.14X50 6873 C70	
41	F01230034	DADO M8X1.25 D982 8	NUT M8X1.25 D982 8ZN	ECROU M8X 1,25 D982 8 ZN	MUTTER M8X 1,25 D982 8 ZN	TUERCA M8X 1,25 D982 8 ZN
42	F01220048	DADO M12X1.75 D980 8ZN	NUT M12X1.75 D980 8ZN	ECROU M12X1,75 D980 8 ZN	SCHIEBE M12X1,75 D980 8 ZN	TUERCA M12X1,75 D980 8 ZN
43	F20030078	DECALCON CADUTA UTENSILI	øTOOLS FALLING DOWN6 TRANSFER	DECALC. CHUTE OUTILS	AUFKLEBERABSTURZ WERKZEUGE	ETIQUETA ADHES. CAIDA HERRAMIE
44	F01230131	DADO M20X2.5 D982 6ZN	NUT M20X2.5 D982 6ZN	ECROU M20X,5 D982 6ZN	MUTTER M20X,5 D982 6ZN	TUERCA M20X2,5 D982 6ZN
45	F01200270	DADO M10X1.5 U5588 6.8ZN	NUT M10X1,5 U5588 6.8ZN	ECROU M10X 1,5 U5588 6.8 ZN	MUTTER M10X 1,5 U5588 6.8 ZN	TUERCA M10X 1,5 U5588 6.8 ZN
46	G20970142	RONDELLA 32X4X15.5	WASHER 32X4X15-5	RONDELLE 32X4X15-5	UNTERLEGSSCHEIBE 32X4X15-5	ARANDELA 32X4X15-5
47	G18700450	RONDELLA 17 X45 X6 ZN	WASHER 17X45X6 GALV.ED			
48	F02200227	COPIGLIA 5X 30 U1336 ZN	PIN 5X 30 U1336 ZN			
49	F02200463	SPINA SCATURO D.5 B/81 ZN	SNAP PIN D5 B/81 ZN	FICHE A DETENTE D5 B/81 ZN	EINRASTSTIFT D5 B/81 ZN	CLAVIJA DE MUELLE D5 B/81 ZN
50	F02100312	SPINA DI SICUREZZA D.8X45 ZN	SAFETY PIN D.8X45 ZN	FICHE EL.DE SECURITE D.8X45 ZN	SCHERSTIFT D.8X45 ZN	CLAVIJA DE SEGURIDAD D 8X45 ZN
51	G16610180	PERNO REGGIDISCO SEGNAFILE	ROWMARKER DISCHOLDER PIN			
52	G18802790	BOCCOLA 20 X25 X7 ZN B.	BUSHING 25 X20 X7 ZN B.	BOITE 25 X20 X7 ZN B.	B CHSE 25 X20 X7 ZN B.	CASQUILLO 25 X20 X7 ZN B
53	F01200244	DADO M8X1.25 U5588 6.8ZN	NUT M8X1,25 U5588 6.8ZN	ECROU M8 X1,25 U5588 6.8 ZN	MUTTER M8 X1,25 U5588 6.8 ZN	TUERCA M8 X1,25 U5588 6.8 ZN
54	G16610160	SUPP.CUSCINETTI DISCO SEGNAFILE	GALVAN. ROWMARKER DISK BEARING	SUPPORT ROULEMENTS DISQUE TRAC	SCHIEBENLAGERHALTERUNG	SOPORTE COJINETE DE DISCO MARC
55	F04010156	CUSC.d20 D47 B14 6204 2RSH	BEARING d20 D47 B14 6204 2RSH			
56	G18801270	BOCCOLA 21 X25 X12 ZN B.	BUSHING 21 X25 X12 ZN			
57	F02050370	ANELLO E. DI 47X1.75 U7437 C70	SEEEGER RING 47X 1,75 U7437 C70	SEEGER E. 47X 1,75 U7437 C70	SEEGERING E. 47X1,75 U7437 C70	ANILLO E. 47X 1,75 U7437 C70
58	F03010576	ANELLO OR 50.52X1.78 NBR	GASKET OR 50.52X1.78 NBR	BAGUE OR 50.52X1.78 NBR	RING OR 50.52X1.78 NBR	ANILLO OR 50.52X1.78 NBR
59	G16610170	DISCO SEGNAFILE D.320	ROW MARKER DISK D.320	DISQUE TRACEUR D320	SPURREISSERSCHIEBE D. 320	DISCO MARCADOR DE FILAS O 320
60	F01200244	DADO M8X1.25 U5588 6.8ZN	NUT M8X1,25 U5588 6.8ZN	ECROU M8 X1,25 U5588 6.8 ZN	MUTTER M8 X1,25 U5588 6.8 ZN	TUERCA M8 X1,25 U5588 6.8 ZN
61	G16610190	CHIUSURA CUSCINETTO ZN	END BEARING ZN			
62	F01060040	VITE M8X1.25X20 U5731 8.8ZN	SCR. M8X1.25X20 U5732 4.6ZG	VIS M8X1.25X20 U5732 4.6 ZN	SCHRA. M8X1.25X20 U5732 4.6 ZN	TORN. M8X1.25X20 U5732 4.6 ZN
63	F01420048	ROS.M8 8,4X 24X 2 U6593 ZN	WASHER M8 8,4X 24X2 U6593 ZN	RONDELLE M8 8,4X24X 2 U6593 ZN	SCHIEBEN M8 8,4X24X 2 U6593 ZN	ARANDELA M8 8,4X 24X2 U6593 ZN
64	G16242560	PARACOLPI 30X8 M8X30	BUFFER 30X8 M8X30	PARE-CHOC30X8 M8X30	STOSSDAMPFER 30X8 M8X30	PARAGOLPES 30X8 M8X30
65	G14218233	SUPPORTO DX CORTO	RIGHT SUPPORT SHORT	SUPPORT DRT COURT	HALTERUNG RE KURZER	SOPORTE DER CORTO
66	G14218243	SUPPORTO SX CORTO	LEFT SUPPORT SHORT	SUPPORT GCH COURT	HALTERUNG LI KURZER	SOPORTE IZQ CORTO
67	G14217020	BOCCOLA 15 X35 X80	BUSHING 15 X35 X80	BOITE 15 X35 X80	B CHSE 15 X35 X80	CASQUILLO 15 X35 X80
68	F01020218	VITE M14X2X130 U5737 8.8ZN	SCR. M14X2X130 U5737 8.8ZN	VIS M14X130	SCHRAUBE M14X130	TORNILLO M14X130
69	G14218982	SECONDO BRACCIO CORTO	2ND ARM SHORT			
70	G14219001	TUBO TERZO BRACCIO CORTO	THIRD ARM TUBE SHORT	TUBE TROISIEME BRAS COURT	ROHR DRITTER ARM KURZER	TUBO TERCER BRAZO CORTO
71	G14219011	TIRANTE ROTAZIONE BRACCIO	ARM ROTATION TIE ROD	TRINGLE ROTATION BRAS	ROTATIONS SPANNSTANGE ARM	ROTATIONS SPANNSTANGE BRAZO
72	G14218112	SECONDO BRACCIO	2.ARM	2.BRAS	2.ARM	2.ARM
73	G14218520	TIRANTE ROTAZIONE	ROTATION TIE ROD	TRINGLE ROTATION	ROTATIONS SPANNSTANGE	ROTATIONS SPANNSTANGE

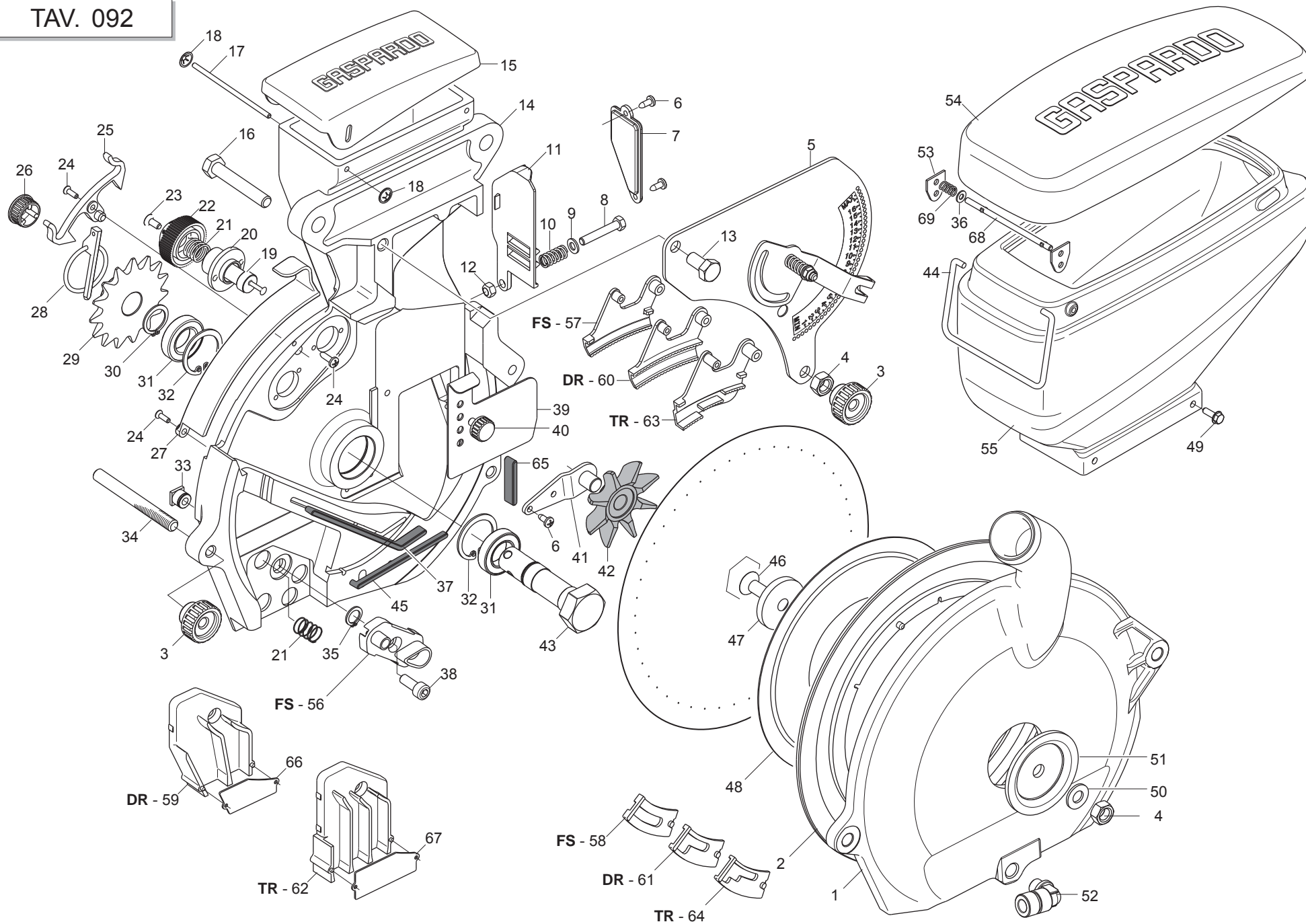


# IMPIANTO SEGNAFILE PER TELAIO PIEGHEVOLE

TAV. 312

Pos.	Cod.	Descrizione	Description	Description	Benennung	Description
1	G14218300	CILINDRO SEGNAFILE	ROW MARKER CYLINDER	CYLINDRE TRACEUR	SYLINDER REIHENANREISSER	CILINDRO MARCADOR DE FILAS
2	F03151414	RONDELLA BONDED SEAL 1/4" NBR	WASHER BONDED SEAL 1/4" NBR			
3	G16011690	MONT.NIPPLO 1/4 GRANO F.1,0	UPRIGHT 1/4" NIPPLE WITH GRUB	MONTANT NIPPLE 1/4 AVEC GRAIN	STZNDER NIPPEL 1/4 MIT STIFT 8	MONT.NIPLE 1/4 TORNIL.SIN CABE
4	G16012650	TUBO R2 1/4 C-F L.4000	PIPE 1/4 R2 C-F 1/4 L.4000	TUBE 1/4 R2 C-F 1/4 L. 4000	ROHR 1/4 R2 C-F 1/4 L 4000	TUBO 1/4 R2 C-F 1/4 L.4000
5	F03150266	NIPPLO MM CIL-CIL 1/4-1/4 ZN	NIPPLE GALV.CYL.MALE 1/4 ZN	NIPPLE MALE CYL. 1/4 ZN	NIPPELZYL.1/4 ZN	NIPLE MACHO CIL.1/4 ZN
6	F03151226	REGOL.DI FLUSSO VRF 1/4' GAS	1/4' GAS VALVE VRF	SOUPAPE REG DEBIT VRF 1/4" GAZ	VENITL VRF 1/4' GAS	VæLVULA VRF 1/4' GAS
7	F03150859	CURVA 90°F.GIREV.1/4 - M.1/4	ELBOW 90° F.SLEWING 1/4 -M.1/4	COUDE 90° F.TOURN.1/4 - M.1/4	KNIESTsCK 90[ F.DREHB.1/4 - M.	CURVA 90 F.GIRAT.1/4 - M.1/4
8	G18801880	BOCCOLA 8,25X15,0 X13 ZN	BUSHING 8,25 X15 X13 ZN	BOITE 8,25 X15 X13 ZN	BsCHSE 8,25 X15 X13 ZN	CASQUILLO 8,25 X15 X13 ZN
9	G13811211	TUBO X COLLEG. AL TRATTORE	PIPE FOR CONNECTION TO TRACTOR	TUBE POUR CONN. AU TRACTEUR	ROHR F. KUPPLUNG AM SCHLEPPER	TUBO P/CONEXIN AL TRACTOR T
10	G22270463	TUB.TR.1/4R2 F-F 1/4 L1500 LM	TUBE TR.1/4R2 F-F1/4 L1500 LM	TUB.TR.1/4R2 F-F 1/4 L1500 LM	ROHR1/4R2 F-F 1/4 L1500 LM	TUB.TR.1/4R2 F-F 1/4 L1500 LM
11	F03151245	RUBINETTO F-F 1/4	COCK F.-F. 1/4"	ROBINET F.-F. 1/4"	HAHN F.-F. 1/4"	GRIFO H.-H. 1/4"
12	F03150211	NIPPLO MM CIL-CIL 1/2-1/4 ZN	NIPLE MM CIL-CIL 1/4-1/2 ZN	NIPLE MM 1/4-1/2 ZN	NIPLE GG 1/4-1/2 ZN	NIPLE MM 1/4-1/2 ZN
13	F03151370	RONDELLA BONDED SEAL 1/2" NBR	WASHER BONDED SEAL 1/2" NBR			
14	F03150935	INNESTO RAP.MASCH.1/2 A VALV.	QUICK CONNECT MALE CONE 1/2	CONNEXION RAPIDE MALE CONE 1/2	SCHNELLKUPP.GEWINDE KONISC 1/2	ACOPLAMIENT.RAP.MACHO CONO 1/2
15	F05150325	CAPPUC.F X INN.M RAP.1/2 ROSSO	COVER CONNECT F 1/2 RED	COUVERCLE CONNEXION F 1/2 ROSE	DECKEL W 1/2 SCHNELLKUPP. ROT	PAC PROTECCION F 1/2 ROJO
16	F03151216	RACCORDO -T- CENTR.M-FG-M 1/4	UNION T M-M-F 1/4' ZN	RACCORD T M-M-F " ZN	ANSCHLUSStsCK TM-M-F 1/4' ZN	UNIN T M-M-F 1/4' ZN R
17	F05010359	PASSAPARETE 1/4M-1/4M	PASS WALL 1/4M -1/4M			
18	G16611051	MONT.VALVOLA SEGNAFILE BP	ROWMARKER VALVE ASSY.			
19	G19702880	DECAL.COLL.IDRAULICO SEGNAFILE	STICKER	DECALCOMANIE	ABZIEHBILDER	CALCOMANIAS
20	G14217082	SUPPORTO VALVOLA	VALVE SUPPORT	SUPPORT SOUPAPE	VENTILHALTERUNG	SOPORTE V+LVULA
21	F01040101	VITE M8X1,25X40 U5931 8.8ZN	SCR. M8X1,25X40 U5931 8.8ZN	VIS M8X1,25X40 U5931 8.8 ZN	SCHRAUBE M8X1,25X40 U5931 8.8	TORNILLO M8X1,25X40 U5931 8.8
22	F01410051	ROS.M8 8,4X 17X1,6 U6592 ZN	WASHER M8 8,4X17X1,6 U6592 ZN	RONDELLE M8 8,4X17X1,6 U6592ZN	SCHEIBE M8 8,4X17X1,6 U6592 ZN	ARANDELA M8 8,4X17X1,6 U6592ZN
23	F01200244	DADO M8X1,25 U5588 6.8ZN	NUT M8X1,25 U5588 6.8ZN	ECROU M8 X1,25 U5588 6.8 ZN	MUTTER M8 X1,25 U5588 6.8 ZN	TUERCA M8 X1,25 U5588 6.8 ZN

TAV. 092



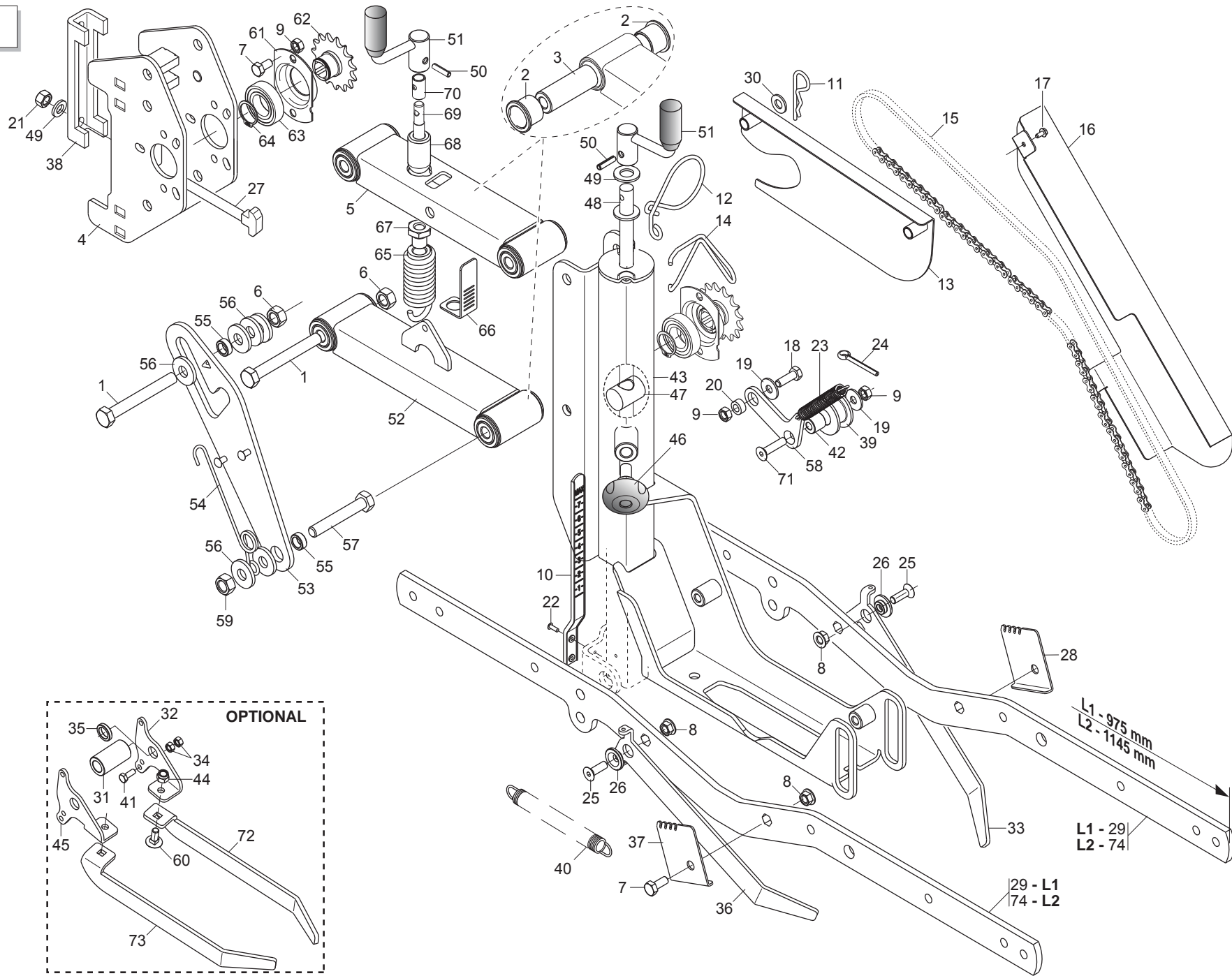
**DISTRIBUTORE SEMI**

**TAV. 092**

Pos.	Cod.	Descrizione	Description	Description	Benennung	Descripcion
1	G15826062	COPERCHIO CORPO DISTR.R1"LAV."	DISTRIBUTOR BODY COVER R1"LAV"			TAPON CUERPO DISTRIBUTOR R1
2	G19005920	GUARN.COPERCHIO OLIMPIA	COVER GASKET OLIMPIA			EMPAQUES DE CUBIERTA
3	F06220037	VOLANTINO ZIGR.D.26-M8 FEM	KNURLED HANDWHEEL D.26-M8			FOLLETO ZIGR.D.26-M8
4	F01200244	DADO M8X1,25 U5588 6.8ZN	NUT M8X1,25 U5588 6.8ZN	ECROU M8 X1,25 U5588 6.8 ZN	MUTTER M8 X1,25 U5588 6.8 ZN	TUERCA M8 X1,25 U5588 6.8 ZN
5	G15829600	GRUPPO SELETTORE COMPL	COMPLETE SELECTING GROUP			
6	F01070047	VITE A3,5X1,34X9,5 U6954 4.8NI	SCR. H3,5X1,34X9,5 U6954 4.8NI	VIS 3-5X 9-5 DIN 7981	SCHRAUBE 3-5X 9-5 DIN 7981	TORNILLO 3-5X 9-5 DIN 7981
7	G19004640	FINESTRA LIVELLO SEME "R"	SEED LEVEL OPENING "R"	FENETRE DE NIVEAU DES GRAINES	SAMENINSPEKTIONSFENSTER "R"	VENTANA DE NIVEL SEMILLAS
8	F01020383	VITE M5X0,8X30 U5739 8.8ZN	SCR. M5X0,8X30 U5739 8.8ZN	VIS M5X0,8X30 U5739 8.8ZN	SCHRAUBE M5X0,8X30 U5739 8.8ZN	TORNILLO M5X0,8X30 U5739 8.8ZN
9	F01410023	ROS.M5 5,3X 10X 1 U6592 ZN	WASHER M5 5,3X 10X 1 U6592			
10	G18904240	MOLLA APERTURA PORTA CONTROLLO	SPRING	RESSORT	FEDER	MUELLE
11	G19004880	FINESTRA DISTRIBUTORE	DISTRIBUTOR OPENING	FENETRE DISTRIBUTEUR	VERTEILERFENSTER	MUELLE
12	F01230019	DADO M5X0,8 D982 8ZN	NUT M5X0,8 D982 8ZN	ECROU AUTOB.NOR.5 ZN	SELBSTSP.MUTTER NOR.5 ZN	VENTANA DISTRIBUIDOR
13	F01020429	VITE M8X1,25X14 U5739* 8.8ZN	SCR. M8X1,25X14 U5739* 8.8ZN	VIS 8X14 5739 8.G ZN	SCHRAUBE 8X14 5739 8.G ZN	TUERCA AUTOB. NOR. 5 ZN
14	G15826053	CORPO DISTRIBUTORE R1 "LAVOR."	DISTRIB. BODY R1 MACHINED			TORNILLO 8X14 5739 8.G ZN
15	G19005610	COPERCHIO TRAMOGGIA DISTRIBUT.	SEED DISTRIBUTOR COVER			
16	F01020452	VITE M8X1,25X50 U5739 8.8ZN	SCR. M8X1,25X50 U5739 8.8ZN	VIS M8X1,25X50 U5739 8.8 ZN	SCHRA. M8X1,25X50 U5739 8.8 ZN	TORN. M8X1,25X50 U5739 8.8 ZN
17	G15828220	PERNO COPERCHIO DISTRIB.ZN	DISTRIBUTOR COVER PIN	PIVOT COUVERCLE DISTRIBUTEUR	BOLZEN DECKEL SZAPPARAT	PERNO TAPA DISTRIBUDOR
18	F02050649	FISSATORE ELAST.ALBERO D.3 S.S	D.3 S.S ELASTIC SHAFT FASTENE	FIXATEUR ELAST. ARBRE D.3 S.S	WELLE, ELASTISCHE BEFESTIGUNG	FIJADOR EL-STICO -RBOL D.3.S.S
19	G22250145	PUNTA SELETTORE ECCENTRICO SV	ECCENTRIC TIP SWITCH SV			SELECTOR EXCENTRICO SV
20	G15825840	SUPPORTO SELETTORE SEM.ORTAG.	VEG. PLANTER SELECTOR SUPPORT			SOPORTE SELECTOR SEMILLA HORT.
21	G18901220	MOLLA COMP.SELETT.ECCEN. SV	SPRING COMP.SELETT.ECCEN. SV			MUELLE SV
22	G19002121	POMELLO GRADUATO SELETT.ECC.SV	GRADUATED KNOB			POMULO GRADUADO SV
23	F01030011	VITE M4X0,7X10 U5933 10.9ZD	SCR. M4X0,7X10 U5933 10.9ZD			
24	F01070049	VITE A3,5X1,27X13 U6954 4.8NI	SCR. H3,5X1,27X13 U6954 4.8NI	VIS 3,5X1,27X 13 6954 4.8NI	SCHRAUBE 3.5X1.27X 13 6954 4.8	TORNILLO 3.5X1.27X 13 6954 4.8
25	G19004580	SCATTO SELETTORE DR "R"	RELEASE SELECTOR DR "R"			
26	F05100190	TAPPO FORO SELETTORE >	SELECTOR HOLE PLUG	BOUCHON TROU SELECTEUR	PFFROPFEN LOCHWZLER	TAPN AGUJERO SELECTOR
27	G19203870	PORTELLINO ISPEZIONE DISCO	DISC INSPECTION DOOR			PUERTA ISPECCION DISCO
28	F02200463	SPINA SCATTO D. 5 B/81 ZN	SNAP PIN D5 B/81 ZN	FICHE A DETENTE D5 B/81 ZN	EINRASTSTIFT D5 B/81 ZN	CLAVIJA DE MUELLE D5 B/81 ZN
29	G15827421	INGRANAGGIO Z.15 COMPL.	GEAR Z.15 COMPL.			
30	F02050056	ANELLO E. DE 17X 1 U7435 C70	SEEGER RING E. 17X 1 U7435 C70	SEEGER E. 17 X 1 U7435 C70	SEEGERING E. 17X 1 U7435 C70	INEL E 17X 1 U7435 C70
31	F04010308	CUSC.D17 D30 B7 61903 2RS1>	BEARING 61903-2RS1	PALIER 61903-2RS1	LAGER 61903-2RS1	COJINETE 61903-2RS1
32	F02050293	ANELLO E. DI 30X 1,2 U7437 C70	SEEGER RING 30X1,2 U7437 C70	SEEGER E. 30X 1,2 U7437 C70	SEEGERING E. 30X 1,2 U7437 C70	ANILLO E. 30 X1,2 U7437 C70
33	G15829490	PERNO ESPULSORE	EXPPELLER PIN			
34	G10521111	PRIGIONIERO CORPO DISTR. ZN	DISTR. CASING STUD BOLT . SV	PRISONNIER CORPS DISTRIB.	STIFTSCHRAUBE SZAPPARATKTRPER	TIRANTE CUERPO DISTR.
35	F02050651	ANELLO E. DE 10X 1 U7435 C70	SEEGER RING ARR.10 U7435-75	SEEGER ARR. 10 UNI 7435-75	SEEGERING ARR.10 UNI 7435-75	ANILLO ARR.10 UNI 7435-75
36	F01410011	ROS.M4 4,3X 9X0,8 U6592 ZN	PLANE WASHER 4,5X 9 6592	RONDELLE 4,5X 9 6592	SCHEIBE 4,5X 9 6592	ARANDELA 4,5X 9 6592
37	G19004650	GUARNIZIONE SEME "R"	SEED SEAL "R"	GARNITURE GRAINES "R"	SAMEN DIHCHTUNG "R"	JUNTA SEMILLAS "R"
38	F01040060	VITE M6X1X14 U5931 8.8ZN	SCREW M6X1X14 U5931 8.8ZN	VIS M6X1X14 U5931 8.8ZN	SCHRAUBE M6X1X14 U5931 8.8ZN	TORNILLO M6X1X14 U5931 8.8ZN
39	G15826040	PORTELLO ALIMENTAZIONE	POWER FLAP	PORTILLON ALIMENTATION	ZUF_HRUNGSDECKEL	REGISTRO ALIMENTACIEN
40	F06220036	VOLANTINO ZIGR. D.15-M5 X10 >	KNURLED FLYWHEEL D.15-M5 X10	VOLANT CANNEL + D.15-M5 X10	GER-ND. HANDRAD D.15-M5 X10	VOLANTE ESTR. D.15-M5 X10
41	G10521094	SUPPORTO AGITATORE ORIETTA	AGITATOR SUPPORT ORIETTA			
42	G15828430	ASS.AGITATORE R	COUPLING AGITATOR R			AGITADOR R
43	G15828391	TRASCINATORE DISCO ZN	DISC DRIVER GALVED			
44	G15882120	CERNIERA COPERCHIO IX	COVER HINGE IX			
45	G19005620	GUARNIZIONE CAVA DISCO "R"	GASKET FOR DISC R			JUNTA DISCO R
46	F01030055	VITE M8X1,25X20 U5933 10.9ZD	SCR. M8X1,25X20 U5933 10.9ZD	VIS M8X20	SCHRAUBE M 8X20	TORNILLO M 8X20
47	G18701890	RONDELLA SVAS. 8,5X35 X5 ZN	FLARED WASHER D.8,5 ZN.	RONDELLE D.8,5 +VAS+E ZN.	F-CHERSCHEIBE D.8,5 ZN.	ARANDELA Ì 8,5 ABOCINADA ZN.
48	G15828290	CAPPELLOTTO TENUTA GUARNIZ.DR	CAP SEALING GASKET			
49	F01070078	VITE A4,2X1,41X13 U6950 4.8ZN	SCR. H4,2X1,41X13 U6950 4.8ZN	VIS AUTOTARADEUSE.4-2X13 TE	SELBSTSCHNEID. SCHRAUBE 4-2X13	TORNILLO AUTOR.4-2X13 TE
50	F01430059	ROS.M8 8,4X 15X0,8 U8842J ZN	WASHER M8 8,4X15X0,8 U8842J ZN	ROND. M8 8,4X 15X0,8 U8842J ZN	SCHIBE M8 8,4X15X0,8 U8842JZN	ARAND. M8 8,4X15X0,8 U8842J ZN
51	G16620470	TAPPO CENTRALE H=7,5	CENTRAL PLUG H=7,5	BOUCHON CENTRAL H=7,5	ZENTRALER PFFROPFEN H=7,5	TAPEN CENTRAL H=7,5
52	F13010027	RACC.SUPERAPIDO 90° 1/8G-8	90° UNION STRAIGHT 1/8G-8			
53	G15882430	PIASTA RINF.COPERCHIO TRAM. IX	REINF.PLATE HOPPER COVER IX			
54	G19006100	COPERCHIO	COVER			
55	G19006090	RIALZO TRAMOGGIA	HOPPER RISE			
56	G19004891	ESPULSORE SEME FS ORIETTA	SEED EJECTOR SR ORIETTA			EXPULSOR SEMILLA FS ORIETTA
57	G19005530	PATTINO SELETTORE FS	SKATE SELECTOR			
58	G19005930	TASSELLO FS	WEDGE SR			ANCLA FS
59	G19005023	ESPULSORE SEME DR ORIETTA	SEED EMISSION DR ORIETTA			EXPULSOR SEMILLA DR ORIETTA
60	GA5820110	PATTINO SELETTORE DR LAV.	BLOCK ROCKER DR			
61	G19005940	TASSELLO DR	CAP DOUBLE ROW			TACO DR
62	G19005880	ESPULSORE SEME 3F	SEED EJECTOR 3F			
63	G19005550	PATTINO SELETTORE 3F	BLOCK ROCKER 3F			
64	G19005950	TASSELLO TR	ANCHOR TR			TACO TR
65	G19006350	PATTINO DISCO	SLIDING BLOCK DISC			
66	G15881540	CARTERINO ESPULSORE DR	EJECTOR CARTER DR			EXPULSOR DR
67	G15881550	CARTERINO ESPULSORE TR	CARTER EJECTOR TR			EXPULSOR TR
68	G15882540	ASSE FISS.COPERCHIO RIALZO IX	FIXED AXLE EXTENSION COVER IX			
69	G65338044	MOLLA COMP.ZN PRESS.SELETT. SV	ZN SELCT. PRESS. COMP. SPRING	RESSORT COMPL. ZN PRESS. SELEC	DRUCKFEDER ZN WZHLERDRUCK SV	MUELLE COMP.ZN PRES. SELECT. S



TAV. 102



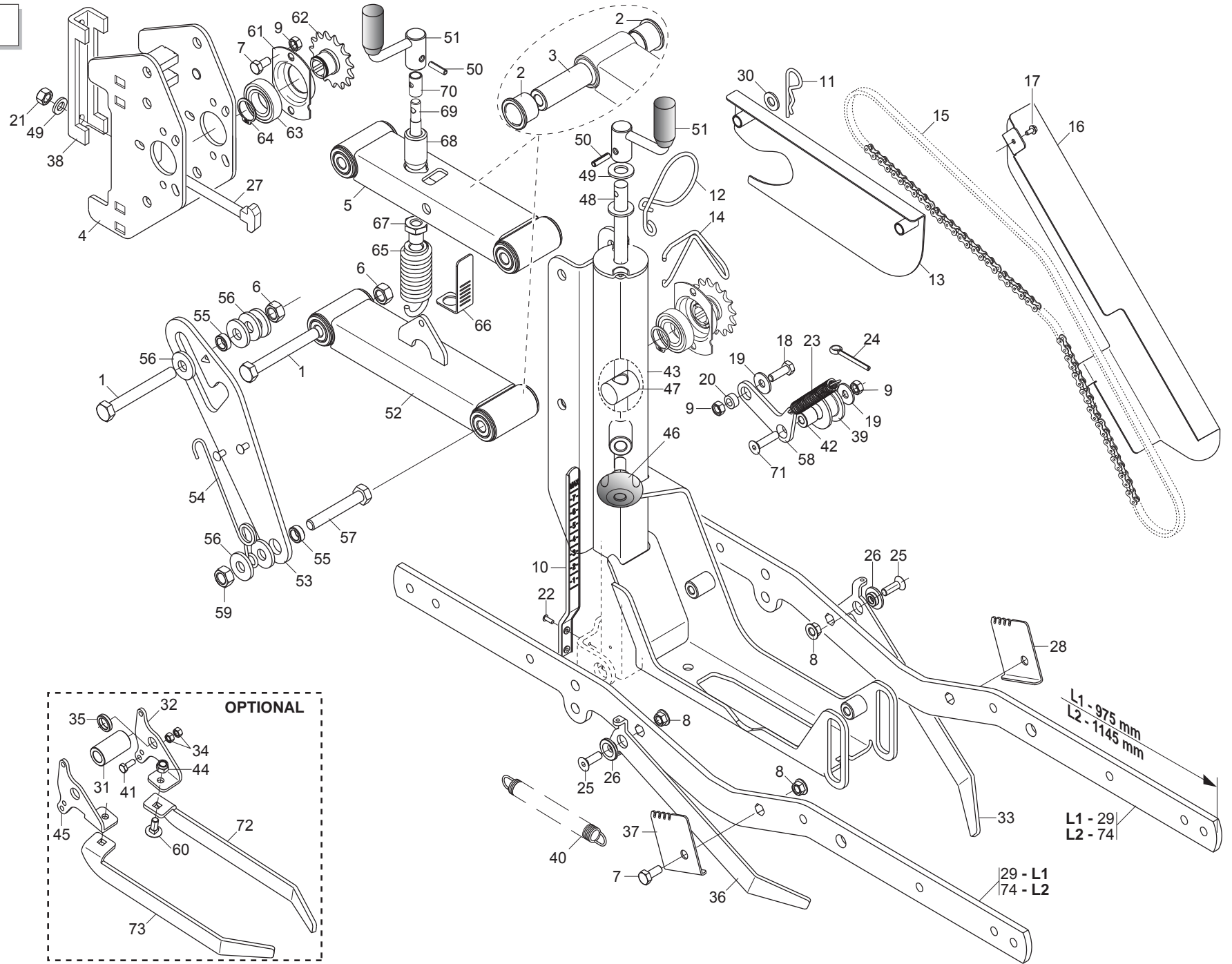


# TELAIO ELEMENTO

TAV. 102

Pos.	Cod.	Descrizione	Description	Description	Benennung	Descripcion
1	F01020170	VITE M12X1,75X100 U5737 8.8ZN	SCR. M12X1,75X100 U5737 8.8ZN	VIS M12X1,75X100 5737 8.8 ZN	SCHRA.M12X1,75X100 5737 8.8 ZN	TORN. M12X1,75X100 5737 8.8 ZN
2	G66349003	BOCCOLA SINT.	BUSHING- SINTERED	BOITE FRITTEE	SYNTH. BUECHSE	CASQUILLO SINT.
3	G22250405	PERNO BRACCIO INFERIORE SV/2	PIN- LOWER ARM SV/2	PIVOT BRAS INF. SV/2	ZAPFEN UNTERER ARM SV/2	PERNO BRAZO INFERIOR SV/2
4	G15828250	ATTACCO TELAI0	FRAME COUPLING	FIXATION BATI	KUPPLUNG RAHMEN	CONEXIN BASTIDOR
5	GA5820420	PARALLELO SUP.CON PERNI	UPPER PARALLEL WITH PINS			
6	F01220048	DADO M12X1,75 D980 8ZN	NUT M12X1,75 D980 8ZN	ECROU M12X1,75 D980 8 ZN	SCHEIBE M12X1,75 D980 8 ZN	TUERCA M12X1,75 D980 8 ZN
7	F01020432	VITE M8X1,25X16 U5739 8.8ZN	SCR. M8X1,25X16 U5739 8.8ZN	VIS M8 X1,25X16 U5739 8.8 ZN	SCHRAUBE M8X1,25X16U5739 8.8ZN	TORNILLO M8X1,25X16U5739 8.8ZN
8	F01260043	DADO M8 D6923 8.8ZN	NUT M8 D6923 8.8ZN	ECROU BRIDE .M8 DIN 6923 8.8 Z	GEFLANSCHTE MUTTER M8 DIN6923	TUERCA BRIDA M8 DIN 6923 8.8 Z
9	F01200244	DADO M8X1,25 U5588 6.8ZN	NUT M8X1,25 U5588 6.8ZN	ECROU M8 X1,25 U5588 6.8 ZN	MUTTER M8 X1,25 U5588 6.8 ZN	TUERCA M8 X1,25 U5588 6.8 ZN
10	G19003400	ASTA INDICAZIONE PROFONDITA'	DEPTH INDICATING ROD	TIGE INDICATION PROFONDEUR	TIEFENANZEIGESTAB	VARILLA INDICACIÓN PROFUNDIDAD
11	F02200342	COPIGLIA R 2X 50 ZN	SPRING SPLIT PIN 2X50 ZN	GOUPILLE R 2X50 ZN	SPLINT R 2X50 ZN	CHAVETA R 2X50 ZN
12	G18903140	MOLLA GUIDATUBO	PIPE GUIDE SUPPORT	RESSORT GUIDE-TUBE	FEDER ROHRFshRUNG	MUELLE GUA TUBOS A
13	G15827930	CARTER ANT.	FRONT CARTER			
14	G65336100	MOLLA SPEC.FERMO MANIGLIA SP	SPEC SPRING HANDLE STOP SP	RESSORT SPEC. ARRET POIGNEE SP	SPEZIALFEDER GRIFFSPERRE SP	MUELLE ESPEC. BLOQUEO MANIJA S
15	F06080223	SP.CAT.1/2-3/16 108M.ISO 083-1	SP.CAT.1/2-3/16 108M.ISO 083-1			
16	G15881270	CARTER LATERALE	SIDE CARTER			
17	F01070011	VITE A4,2X1,41X9,5 U6950 4.8NI	SCR. H4,2X1,41X9,5 U6950 4.8NI	VIS AUTOTAR. 4-2X9-5 T. E. COU	SELBSTSCHNEID. SCHRAUBE 4-2X9-5	TORNILLO AUTORROSC. 4-2X9-5
18	F01020440	VITE M8X1,25X25 U5739 8.8ZN	SCR. M8X1,25X25 U5739 8.8ZN	VIS M8X1,25X25 U5739 8.8 ZN	SCHRAUBE M8X1,25X25U5739 8.8ZN	TORNIL.M8X1,25X25 U5739 8.8 ZN
19	F01420048	ROS.M8 8,4X 24X 2 U6593 ZN	WASHER M8 8,4X 24X2 U6593 ZN	RONDELLE M8 8,4X24X 2 U6593 ZN	SCHEIBEN M8 8,4X24X 2 U6593 ZN	ARANDELA M8 8,4X 24X2 U6593 ZN
20	G20980050	BOCCOLA 15X7X8,5 ZN	BUSHING 15X7X8-5 ZN	BOITE 15X7X8-5 ZN	BsCHSE 15X7X8-5 ZN	CASQUILLO 15X7X8-5 ZN
21	F01200306	DADO M14X2 U5588 6.8ZN	NUT M14X2 U5588 6.8ZN	ECROU M14X2	MUTTER M14X2	DADO M14X2
22	F02250077	RIVETTO STR. 3 X14 U9200A AL	3X14 ALUMINIUM PULL RIVET	RIVET A RUPTURE 3X14 ALUMINIUM	REISSNIETE3X14 ALL.	REMACHE DESGAR. 3X14 ALL.
23	G18902680	MOLLA TRAZ.ZN SERBATOIO SV290	GALV.TANK TRACT.SPRING SV290	RESSORT RAZ.ZN RESERVOIR SV290	ZUGFEDER ZN BEHZLTER SV290	MUELLE TRAC.ZN DEPOSITO SV290 A
24	F02200194	COPIGLIA 4X 25 U1336 ZN	SPLIT PIN 4 X25 1336 GALVAN.	GOUPILLE 4 X25 1336 ZN	SPLINT 4 X25 1336 ZN	PASADOR 4 X25 1336 ZN
25	F01030055	VITE M8X1,25X20 U5933 10.9ZD	SCR. M8X1,25X20 U5933 10.9ZD	VIS M 8X20	SCHRAUBE M 8X20	TORNILLO M 8X20
26	G15821110	BOCCOLA SUPPORTO COPRISEME	SEED COVER SUPP. BUSHING	BOITE SUPPORT COUVRE-SEMENCE	BsCHSE SAMENABDECKERHALTER.	CASQUILLO SOPORTE CUBRESEMILLA
27	G16610010	VITE A MARTELLO M14X165	WINGED BOLT M14X165	VIS A TETE MARTEAU M14X165	ZWEIFLÜGEL- SCHRAUBEN M14X165	TORNILLO DE MARIPOSA M14X165
28	G15829970	ATTACCO DX MOLLA COPRISEME	RIGHT HITCH SEEDCOVER SPRING			
29	GA5820700	BRACCIO BILANCIERE EVO	BALANCE WHEEL ARM EVO			
30	F01410064	ROS.M10 10,5X 20X 2 U6592 ZN	WASHER M10 10,5X20X2 U6592 ZN	RONDEL. M10 10,5X20X2 U6592 ZN	SCHEIBE M10 10,5X20X2 U6592 ZN	ARANDEL.M10 10,5X20X2 U6592 ZN
31	G19006460	DISTANZIALE D15-25X45	SPACER D15-25X45			
32	G15882450	SUPP.SX COPRISEME REGOLABILE	LEFT SUPPORT SEEDCOVER ADJ.			
33	G15881090	COPRISEME DX	SEEDCOVERING RIGHT			
34	F01200232	DADO M6X1 U5588 6.8ZN	NUT M6X1 U5588 6.8ZN	ECROU 6 UNI 5588 6.8 ZN	MUTTER 6 UNI 5588 6.8 ZN	TUERCA 6 UNI 5588 6.8 ZN
35	G19005300	DISTANZIALE 15X22X4,5	SPACER 15X22X4,5			
36	G15881080	COPRISEME SX	SEEDCOVERING LEFT			
37	G15829960	ATTACCO SX MOLLA COPRISEME	LEFT SEEDCOVER PRING			
38	G15110091	SCONTRO A U SP.8 2F15 165	STRIKER	BRIDE 150 MM	ANSCHLAG	ELEMENTO DE EMPALME
39	G19005110	RULLO TENDICATENA	ROLLER CHAIN TIGHTENER			RODILLO TENSIONA CADENA
40	G18902520	>MOLLA TRAZ.ZN RASCHIATERRA	SCRAPER TRACTION SPRING ZN			RESORTE TRAZ.ZN RASTRILLO
41	F01020403	VITE M6X1X16 U5739 8.8ZN	SCR. M6X1X16 U5739 8.8ZN	VIS M6X1X16 U5739 8.8 ZN	SCHRAUBE M6X1X16 U5739 8.8 ZN	TORNILLO M6X1X16 U5739 8.8 ZN
42	G18801450	BOCCOLA 8,25 X18 X17 IX	BUSHING 8,25 X 18 X 17	BOITE 8,25 X18 X17	BsCHSE 8,25 X18 X17	CASQUILLO 8,25 X18 X17
43	G15829791	TELAJETTO SEMINATORE	PLANTING UNIT FRAME			
44	F01230034	DADO M8X1,25 D982 8	NUT M8X1,25 D982 8ZN	ECROU M8X 1,25 D982 8 ZN	MUTTER M8X 1,25 D982 8 ZN	TUERCA M8X 1,25 D982 8 ZN
45	G15882440	SUPP.DX COPRISEME REGOLABILE	RIGHT SUPP.SEEDCOVER ADJ.ABLE			
46	F06220010	VOLANTINO 8 LOBI M12X25	BOLT M12X25			
47	G22230063	ELEMENTO ARTICOLATO	ARTICULATED ELEMENT	ELEMENT ARTICULE	GELENKELEMENT	ELEMENTO ARTICULADO
48	G22230062	VITE DI REGOLAZIONE	ADJUSTMENT BOLT	VIS DE REGLAGE	EINSTELLSCHRAUBE	TORNILLO DE REGULACIN S
49	F01410088	ROS.M14 15X 28X2,5 U6592 ZN	WAS.M14 15X 28X2,5 U6592 ZB	RON.M14 15X 28X2,5 U6592 ZB	SCH.M14 15X 28X2,5 U6592 ZB	ARA.M14 15X 28X2,5 U6592 ZB
50	F02100111	SPINA E.P. 6X 24 U6873 A2 IX	PIN EL. 6 X24 U6873 A2 IX			
51	G22270235	MANIGLIA REGOLAZIONE B4	ADJUSTMENT HANDLE B4	POIGNEE REGLAGE B4	EINSTELLGRIFF B4	MANIJA REGULACIN B4 M
52	GA5820430	PARALLELO INF.CON PERNI	LOWER PARALLEL WITH PINS			
53	G15829681	ASTAAGGANCIO	HOOK PLATE ASSEMBLY			
54	G18902880	MOLLA FERMO PARALLELO SP	PARALLEL LOCK SPRING SP			
55	G20980082	BOCCOLA 18X7X12,25	BUSHING 18X7X12-25			

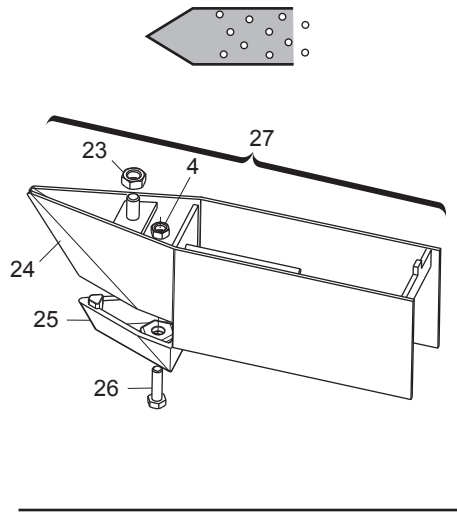
TAV. 102



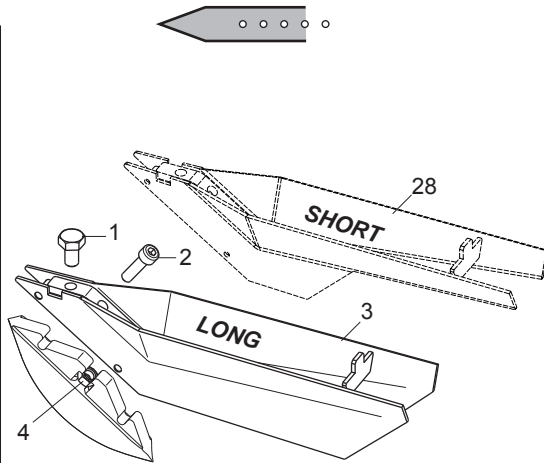
**TELAIO ELEMENTO**
**TAV. 102**

Pos.	Cod.	Descrizione	Description	Description	Benennung	Descripcion
56	G20970035	RONDELLA 32X4X13	WASHER 32X4X13	RONDELLE 32X4X13	UNTERLEGSCHLEIBE 32X4X13	ARANDELA 32X4X13
57	F01020172	VITE M12X1,75X110 U5737 8.8ZN	SCR. M12X1,75X110 U5737 8.8ZN	VIS M12X1,75X110 U5737 8.8ZN	SCHRA.M12X1,75X110 U5737 8.8ZN	TORN.M12X1,75X110 U5737 8.8ZN
58	G15881320	BRACCIO TENDICATENA	CHAIN-STRETCHER ARM			
59	F01200078	DADO M12X1,75 AUTOF. U5588 ZB>	NUT M12X1,75 AUTOF. U5588			
60	F01060040	VITE M8X1,25X20 U5731 8.8ZN	SCR. M8X1,25X20 U5732 4.6ZG	VIS M8X1,25X20 U5732 4.6 ZN	SCHRA. M8X1,25X20 U5732 4.6 ZN	TORN. M8X1,25X20 U5732 4.6 ZN
61	G15725030	SUPPORTO CUSCINETTO	BEARING SUPPORT	SUPPORT PALIER	LAGERHALTERUNG	SOPORTE COJINETE
62	G15835470	PIGNONE ISO 08B-1 1/2-3/16 Z15	ISO 08B-1 Z=15 PINION SQR16,4			
63	F04010134	CUSC.D25 D47 B12 6005 2Z	BEARING D25 D47 B12 6005 2Z	PALIER 6005 2Z	LAGER 6005 2Z	COJINETE 6005 2Z
64	F02050101	ANELLO E. DE 25X 1,2 U7435 C70	SEEGER RING E. 25X1,2 7435 C70	SEEGER E. 25X 1,2 U7435 C70	SEEGERING E. 25X 1,2 U7435 C70	ANILLO E. 25X 1,2 U7435 C70
65	G15828660	ASS.MOLLA ALLEGGERIMENTO	LIGHTENING SPRING COUPLING	ASS. RESSORT ALLEGEMENT	ERLEICHTERUNGSFEDERKOMPLEX	CONJ. MUELLE DE ALIGERAMIENTO
66	G15829290	INDICE MOLLA PARALLELOGR. ZN	PARALL.SPRING INDICATOR			
67	G15220120	VITE REGOLAZIONE ZN	REGULATION BOLT	VIS RÉGLAGE ZN	STELLSCHRAUBE ZN	TORNILLO REGULACIÓN ZN
68	G15828760	BOCCOLA TENDITORE 14,00X25X 45	BUSHING- TIGHTENER	BOITE TENDEUR	BsCHSE SPANNER	CASQUILLO TENSOR
69	G22505063	VITE REGOL.RUOTE POSTERIORI	BOLT- REAR WHEEL ADJUSTM.	VIS REGLAGE ROUES ARRIERES	EINSTELLSCHRAUBE HINTERRZDER	TORNILLO REGUL. RUEDAS TRASERA
70	G22505061	BOCCOLA VITE DI REGOLAZIONE	BUSHING	BOITE VIS DE REGLAGE	BsCHSE EINSTELLSCHRAUBE	CASQUILLO TORNILLO DE REGULACI
71	F01030060	VITE M8X1,25X35 U5933 10.9ZD	SCREW M8X1,25X35 U5933 10.9ZD	VIS M8X1,25X35 U5933 10.9ZD	SCHRA.M8X1,25X35 U5933 10.9ZD	TORN. M8X1,25X35 U5933 10.9ZD
72	G15829851	COPRISEME REGOLABILE SX	ADJUSTABLE SEEDCOVERING LEFT			
73	G15829861	COPRISEME REGOLABILE DX	ADJUSTABLE SEEDCOVERING RIGHT			
74	G15829820	BRACCIO BILANCIERE	BALANCER ARM			

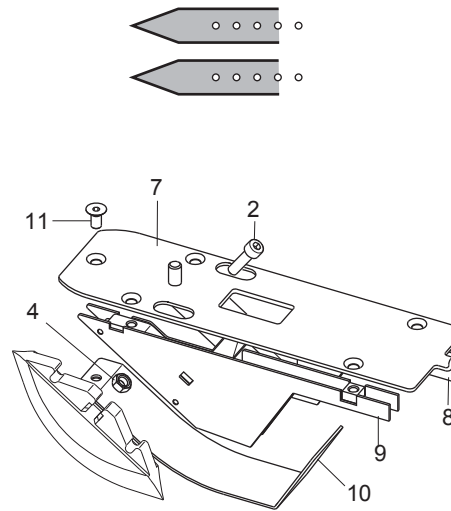
**FS**



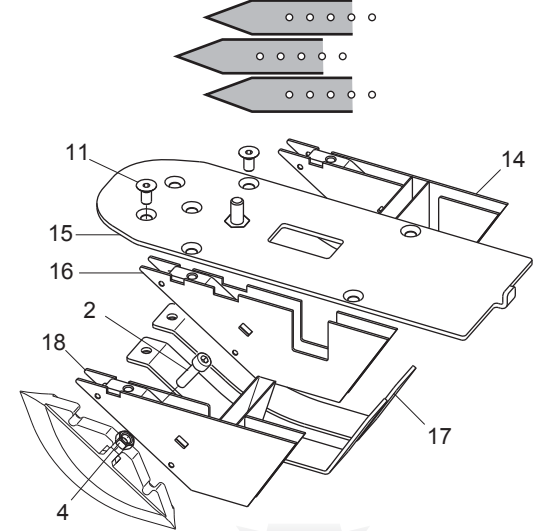
**F**



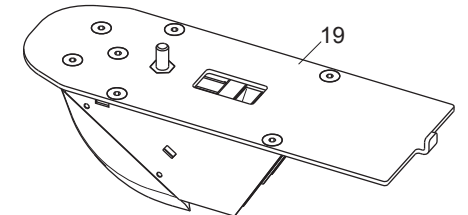
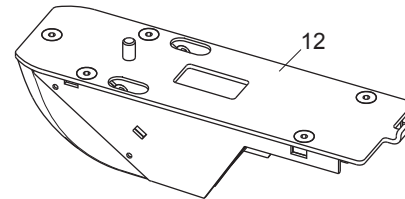
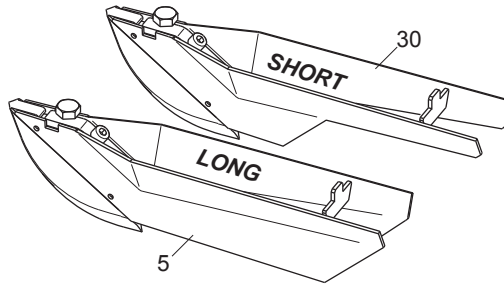
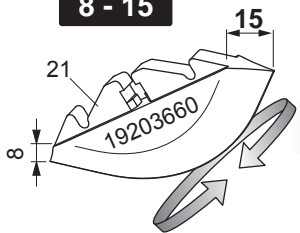
**DR**



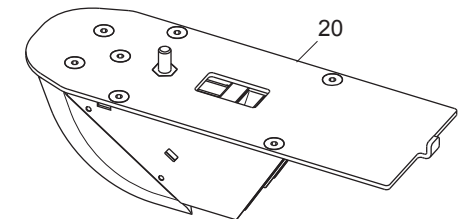
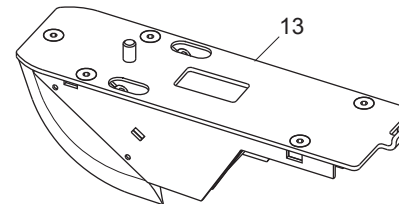
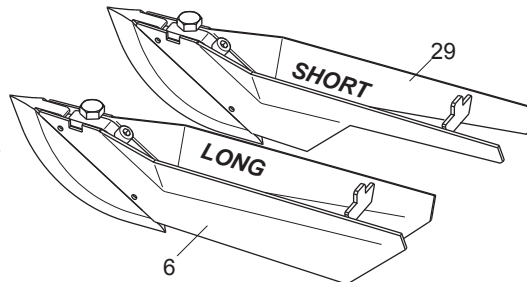
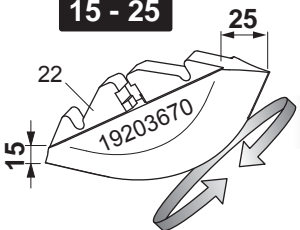
**TR**



**8 - 15**



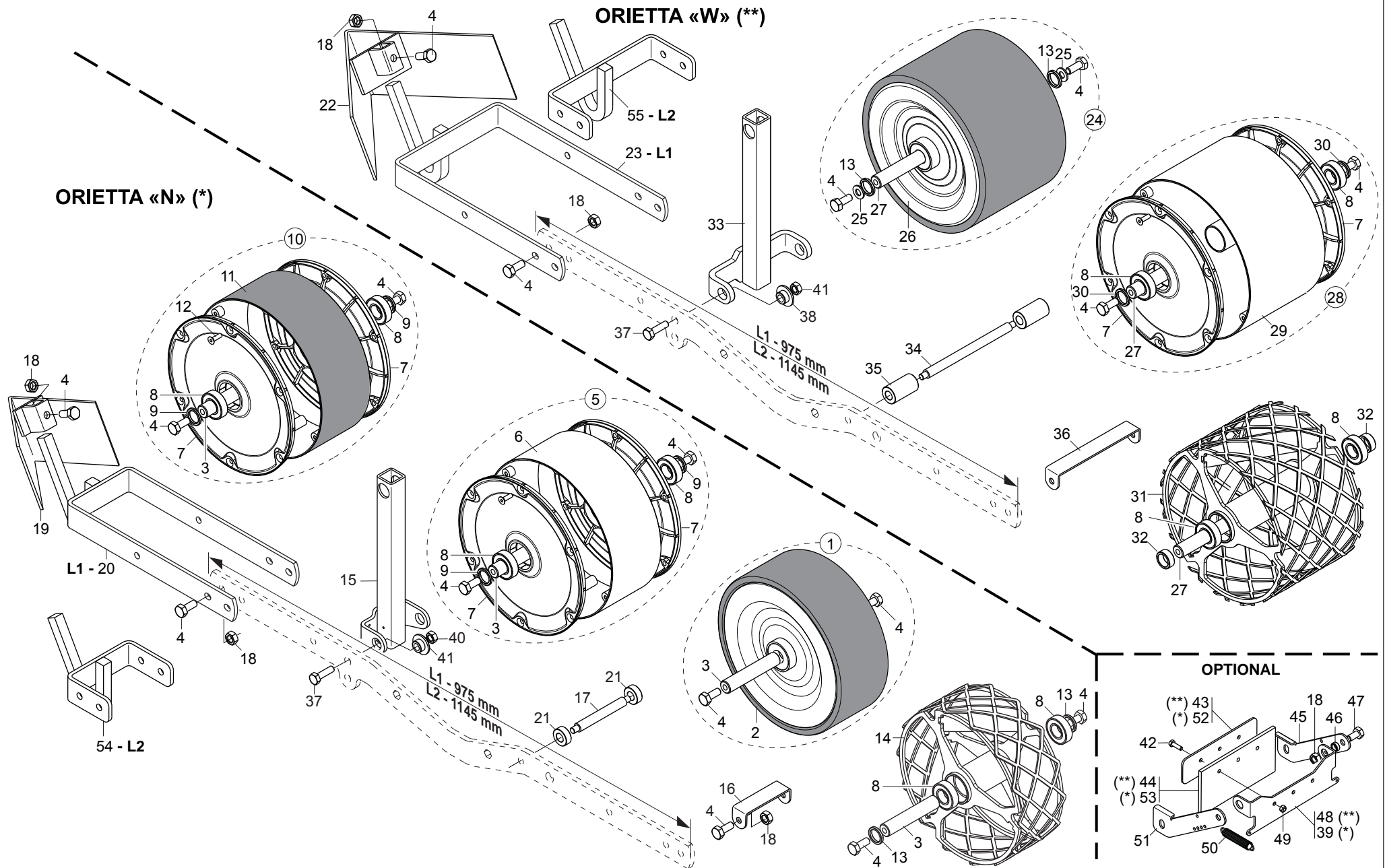
**15 - 25**



# FALCIONI ASSOLCATORI

TAV. 113

Pos.	Cod.	Descrizione	Description	Description	Benennung	Descripcion
1	F01020468	VITE M10X1,5X16 U5739 8.8ZN	SCR. M10X1,5X16 U5739 8.8ZN	RONDELLE M10X1,5 X 16	DUEBEL M10X1,5 X 16	TORNILLO M10X1,5 X 16
2	F01040107	VITE M8X1,25X30 U5931 A2IX	SCR. M8X1,25X30 U5931 A2IX	VIS M8X1,25X 30 U5931 A2 IX	SCHRAUBE M8X1,25X 30 U5931 A2	TORNIL. M8X1,25X 30 U5931 A2
3	G15828350	ASS.LAMIERE FALCIONE FS-03	COULTER SHEET ASS. FS-03	GR. T+LES SOC FS-03	BLECHE S-SCHAR FS-03	CONJ. CHAPAS BOTA FS-03
4	F01200244	DADO M8X1,25 U5588 6.8ZN	NUT M8X1,25 U5588 6.8ZN	ECROU M8 X1,25 U5588 6.8 ZN	MUTTER M8 X1,25 U5588 6.8 ZN	TUERCA M8 X1,25 U5588 6.8 ZN
5	G15828400	FALCIONE FILA SINGOLA H14	H14 SINGLE ROW COULTER	HACHOIR RANG SIMPLE H14	EINZELREIHENS-SCHAR H 14	ARADO FILA SENCILLA H14
6	G15828410	FALCIONE FS-03 H14/25	FS-03 H14/25 COULTER	HACHOIR TRANSMISSION-03 H14/25	S-SCHAR FS-03 H14/25	ARADO FS-03 H14/25
7	G15881601	SUPPORTO FALCIONE DR7 '11	DR7 '11CUTTER SUPPORT ASS.			
8	G15881620	ASS.RIGA DX.FALCIONE DR '06	RIGHT CUTTER LINE ASS. DR	GR. REGLE DROITE DE HACHOIR D	STAB RE SZSCHAR DR	CONJ. VARILLA DER. GUADA#ADORA
9	G15881610	ASS.RIGA SX.FALCIONE DR '06	LEFT CUTTER LINE ASS. DR	GR. REGLE GAUCHE DE HACHOIR D	STAB LI SZSCHAR DR	CONJ. VARILLA IZQ. GUADA#ADORA
10	G15881630	ASS.SLITTA FALCIONE DR7 '06	ASSY BLADE SKID DR7 '06			
11	F01030054	VITE M8X1,25X16 U5933 10.9ZD	SCR. M8X1,25X16 U5933 10.9 ZD	VIS M8X1,25X16 U5933 10.9 ZD	SCHRAU.M8X1,25X16 U5933 10.9ZD	TORNIL.M8X1,25X16 U5933 10.9 ZD
12	G15881691	FALCIONE DR7 H08/15 '11 COMPL	ASS.BLY BLADE DR7H08/15'11			
13	G15881591	FALCIONE DR7 H15/25 '11 COMPL	ASS.BLY BLADE DR7H15/25'11			
14	G15881472	ASS.RIGA DX FALCIONE TR	RIGHT CUTTER LINE ASS. TR	GR. REGLE DROITE DE HACHOIR TR	STAB RE SZSCHAR TR	CONJ. VARILLA DER. GUADA#ADORA
15	G15881450	ASS.TOP FALCIONE TR	ASSY TOP BLADE TR			
16	G15881481	ASS.RIGA CENTRALE FALCIONE TR	CENTRAL ROW CUTTER TR			
17	G15881740	ASS.SLITTA TR	ASS.SKID TR			
18	G15881492	ASS.RIGA SX FALCIONE TR	LEFT CUTTER LINE ASS. TR	GR. REGLE GAUCHE DE HACHOIR TR	STAB LI SZSCHAR TR	CONJ. VARILLA IZQ. GUADA#ADORA
19	G15882020	MONT.FALCIONE TR-10 H 8-15	BLADE TR-10 H 8-15			
20	G15881440	MONT.FALCIONE TR-10 H15-25	BLADE TR-10 H15-25			
21	G19203660	TAGLIENTE FALCIONE FS03 H8/15	CUTTER EDGE FS03 H8/15	COUPEUR HACHOIR FS03 H8/15	SCHARSCHNEIDE FS03 H8/15	AFIL. HOJA DE CORTE FS03 H8/15
22	G19203670	TAGLIENTE FALCIONE FS03 H15/25	KNIFE COULTER SR03 H15/25			
23	F01200270	DADO M10X1,5 U5588 6.8ZN	NUT M10X1,5 U5588 6.8ZN	ECROU M10X 1,5 U5588 6.8 ZN	MUTTER M10X 1,5 U5588 6.8 ZN	TUERCA M10X 1,5 U5588 6.8 ZN
24	G15827310	ASS.FALCIONE FASCIA 6	ASSEMBLY STRIP COULTER 6			
25	G19203640	PUNTALE FALCIONE A FASCIA "R"	TOOTH BLADE			
26	F01020450	VITE M8X1,25X40 U5739 8.8ZN	SCR. M8X1,25X40 U5739 8.8ZN	VIS M8X1,25X40 U5739 8.8ZN	SCHRA. M8X1,25X40 U5739 8.8ZN	TORN. M8X1,25X40 U5739 8.8ZN
27	G15827340	FALCIONE A FASCIA 6 CON VITE	STRIP COULTER 6 WITH SCREW			
28	GA5820610	FALCIONE FS CORTO	SHORT CUTTER FS			
29	GA5820630	FALCIONE FS H8/15 CORTO COMPL	SHORT CUTTER FS H8/15			
30	GA5820620	FALCIONE FS H15/25 CORTO COMPL	SHORT CUTTER FS H15/25			





# RUOTE DI COMPRESSIONE

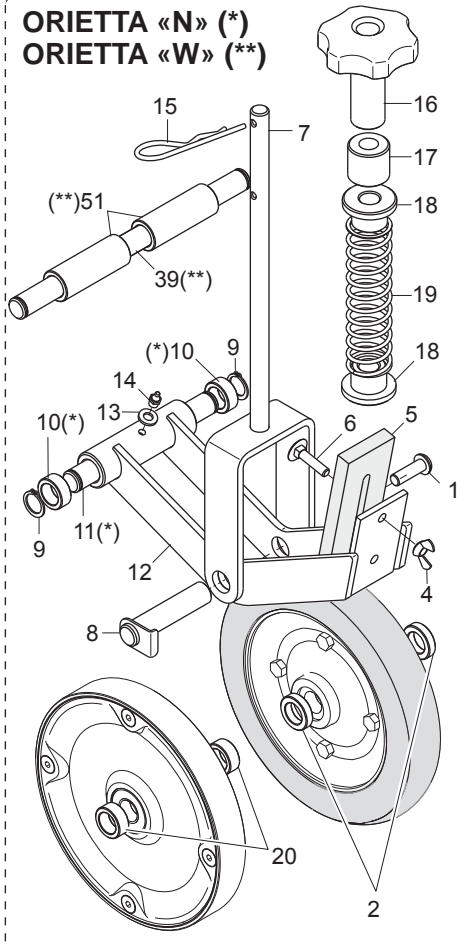
TAV. 123

Pos.	Cod.	Descrizione	Description	Description	Benennung	Descripcion
1	G15826830	MONT.RUOTA IN GOMMA D.250X100	RUBB. WHEEL ASSEMBLY D.250X100			
2	G15826820	RUOTA IN GOMMA 250X100	RUBBER WHEEL 250X100	ROUE EN CAOUTCHOUC 250X100	GUMMIRAD 250X100	RUEDA DE CAUCHO 250X100
3	G15826561	ASSE RUOTA 250X100	WHEEL AXLE 250X100	AXE	ACHSE	EJE
4	F01020472	VITE M10X1,5X25 U5739 8.8ZN	SCR. M10X1,5X25 U5739 8.8ZN	VIS M10X1,5X25 U5739 8.8 ZN	SCHRAUBE M10X1,5X25 U5739 8.8	TORNILLO 10X25 U5739 8.8 ZN
5	G15829430	MONT.RUOTA INOX D.250X100 FL.	WHEEL INOX D.250X100 FL.			
6	G15829330	ASS.ANELLO INOX D.250X100	RING D.250X100	BAGUE D.250X100	RING D.250X100	ANILLO D.250X100
7	G19005320	FIANCO RUOTA D.250	SIDE WHEEL D.250			
8	F04010131	CUSC.D20 D42 B12 6004-2RSH EX>	BEARING D20 D42 B12 6004-2RSH	ROULEMENT 6004	LAGER 6004	COJINETE 6004
9	G19005080	DISTANZIALE RUOTE INOX R	INOX R WHEEL SPACER	ENTRETOISE ROUE INOX R	DISTANZSTsCK RAD INOX R	DISTANCIADOR RUEDA INOX R
10	G15829580	MONT.RUOTA GOMMA D.250X100 FL.	RUBBER WHEEL D.250X100 FL.			
11	G15829410	TUBO GOMMATO D.250X100	RUBBER TUBE D.250X100			
12	F01030038	VITE M6X1X20 U5933 10.9ZD	SCR. M6X1X20 U5933 10.9ZD	VIS M6X1X20 U5933 10.9ZD	SCHRAU. M6X1X20 U5933 10.9ZD	TORNILLO M6X1X20 U5933 10.9ZD
13	G19005081	DISTANZIALE RUOTE INOX R	WHEEL SPACER INOX R			
14	G15881340	ASS.RUOTA IN GRIGLIA 250X100	ASSY GRID WHEEL 250X100			
15	G15829920	ASS.SUPPORTO BILANCIERE	ROCKER ARM SUPPORT			
16	G15829950	RASCHIATERRA	SOILSCRAPER			
17	G15829890	ASSE POSTERIORE BILANCIERE	REAR ROCKER SHAFT			
18	F01200270	DADO M10X1,5 U5588 6.8ZN	NUT M10X1,5 U5588 6.8ZN	ECROU M10X 1,5 U5588 6.8 ZN	MUTTER M10X 1,5 U5588 6.8 ZN	TUERCA M10X 1,5 U5588 6.8 ZN
19	G10525830	SPIANATERRA	SOIL LEVELLER	NIVELEUSE	ERDEBNER	NIVELADORA
20	GA5820720	SUPPORTO SPARTIZOLLE STRETTO	SOD-BREAKER SUPPORT TIGHT			
21	G19005161	BOCCOLA 15X40X12 PLA	BUSHING 15X40X12 PLA			
22	G15821861	SPIANATERRA	SOIL LEVELLER			
23	GA5820750	SUPPORTO SPARTIZOLLE LARGO	SOD-BREAKER SUPPORT WIDE			
24	G15829160	RUOTA 250X170 COMPL.	WHEEL 250X170 COMPL.			
25	F01420060	ROS.M10 10,5X 30X2,5 U6593 ZN	WASHER 10,5X30	RONDELLE 10,5X30	SCHEIBE 10,5X30	ARANDELA 10,5X30
26	G15827960	RUOTA GOMMA 250X170 MOZZO 180	RUBBER WHEEL 250X170 HUB 180			
27	G15827980	ASSE RUOTA 250X170	WHEEL AXLE 250X170	AXE ROUE 250X170	RADACHSE 250X170	EJE RUEDA 250X170
28	G15829760	MONT.RUOTA INOX D.250X170 FL.	WHEEL INOX D.250X170 FL.			
29	G15829770	ASS.ANELLO INOX D.250X170	RING D.250X170	BAGUE D.250X170	RING D.250X170	ANILLO D.250X170
30	G19005600	DISTANZIALE D.20 XD.27 X10.5	SPACER D.20 XD.27 X10.5			
31	G15881381	RUOTA IN GRIGLIA 250X170	ASSY GRID WHEEL 250X170			
32	G19005600	DISTANZIALE D.20 XD.27 X10.5	SPACER D.20 XD.27 X10.5			
33	G15827870	SUPPORTO BILANCIERE	SUPPORT ROCKET ARM			
34	G15881810	ASSE POSTERIORE BILANCIERE 187	REAR ROCKER SHAFT 187			
35	G19005960	DIST.D.15 X30 X53	SPACER D.15 X30 X53			
36	G15827970	RASCHIATERRA	SOILSCRAPER			
37	F01020512	VITE M12X1,75X35 U5739 8.8ZN	SCR. M12X1,75X35 U5739 8.8ZN	VIS M12X1,75X35 5739 8.8 ZN	SCHR. M12X1,75X35 5739 8.8 ZN	TORN. M12X1,75X35 5739 8.8 ZN
38	G15224630	BOCCOLA BRACCIO	ARM BUSHING	BOITE BRAS	BsCHSE ARM	CASQUILLO BRAZO
39	G15882750	SUPP.RASCHIATERRA IN GOMMA	RUBBER MUD SCRAPER SUPPORT			
40	G15421231	BOCCOLA BRACCIO SUPERIORE	UPPER ARM BUSHING	BOITE BRAS SUPERIEURE	OBERE ARMBsCHSE	CASQUILLO BRAZO SUPERIOR
41	F01220048	DADO M12X1,75 D980 8ZN	NUT M12X1,75 D980 8ZN	ECROU M12X1,75 D980 8 ZN	SCHEIBE M12X1,75 D980 8 ZN	TUERCA M12X1,75 D980 8 ZN
42	F01020404	VITE M6X1X20 U5739 8.8ZN	SCREW M6X1X20 U5739 8.8ZN	VIS M6X1X20 U5739 8.8ZN	SCHRAUBE M6X1X20 U5739 8.8ZN	TORNILLO M6X1X20 U5739 8.8ZN
43	G15882181	PIASTRA 175X45 3F6,5	PLATE 175X45 3F6,5			
44	G15882191	RASCHIATORE IN GOMMA	RUBBER SCRAPER			
45	G15882160	SUPPORTO DX	RIGHT SUPPORT			
46	G20980080	BOCCOLA 15X12X10,25	BUSH 15X12X10-25			
47	F01020470	VITE M10X1,5X20 U5739 8.8ZN	SCR. M10X1,5X20 U5739 8.8ZN	VIS M10X1,5X20 U5739 8.8 ZN	SCHRAUBE M10X1,5X20 U5739 ZN	TORNILLO M10X1,5X20 U5739 8.8ZN
48	G15882171	SUPPORTO RASCHIATERRA GOMMA	RUBBER SOILSCRAPER SUPPORT			
49	F01220011	DADO M6X1 D980 8ZN	NUT M6X1 D980 8ZN	ECROU M6X1 D980 8 ZN	MUTTER M6X1 D980 8 ZN	TUERCA M6X1 D980 8 ZN
50	G18904170	MOLLA SPORTELLO GRANDE	SPRING BIG-DOOR			
51	G15882150	SUPPORTO SX	LEFT SUPPORT			
52	G15882730	PIASTRA	PLATE			
53	G15882740	RASCHIATORE IN GOMMA	RUBBER SCRAPER			
54	G15882041	SUPPORTO SPARTIZOLLE	SOD-BREAKER SUPPORT			
55	G15829691	SUPPORTO SPARTIZOLLE	SOD-BREAKER SUPPORT			

# TAV. 132

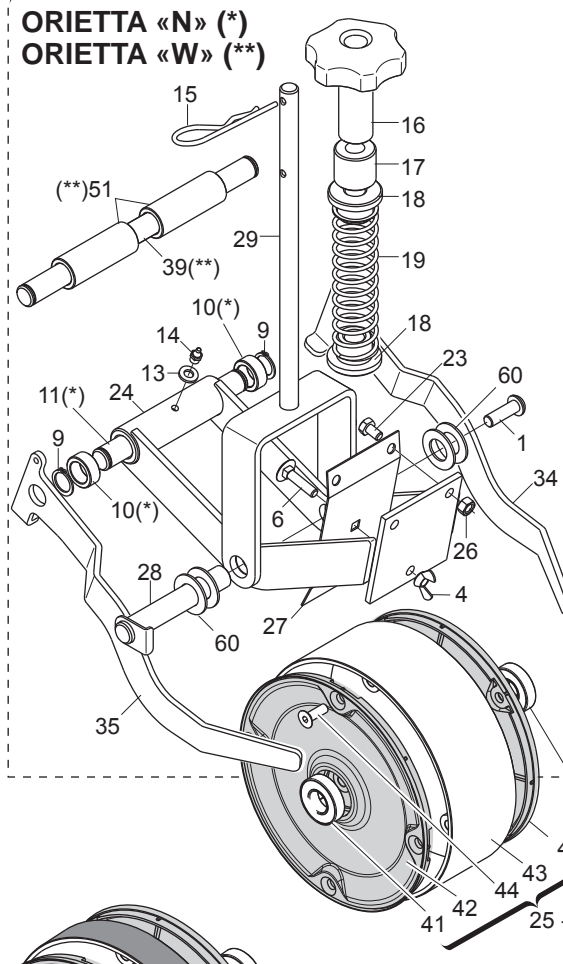
## FILA SINGOLA - SINGLE ROW

**ORietta «N» (\*)**  
**ORietta «W» (\*\*)**



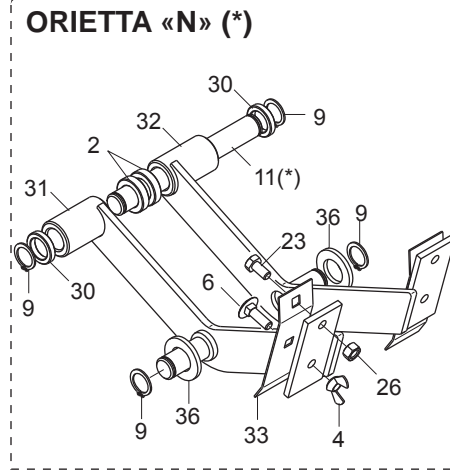
## SEMINA A FASCIA - BROAD SEEDING

**ORietta «N» (\*)**  
**ORietta «W» (\*\*)**



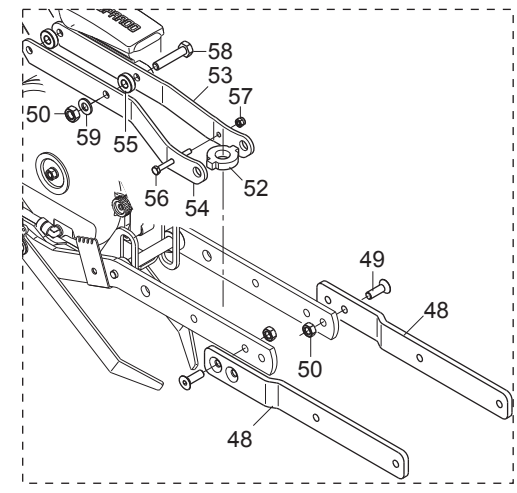
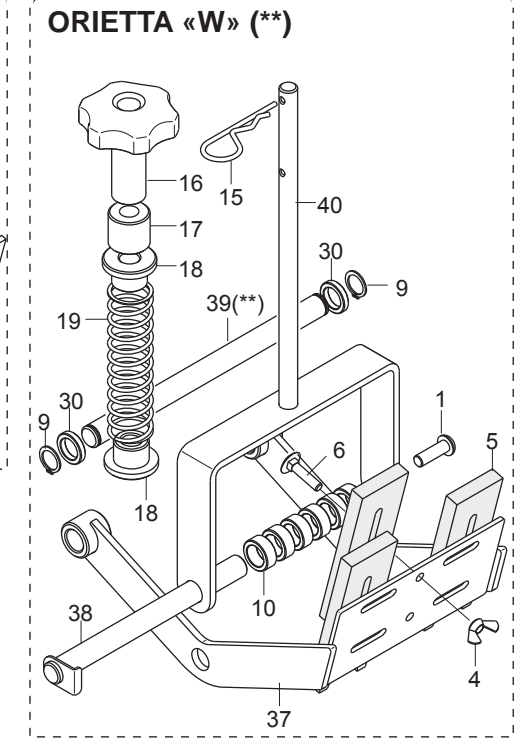
## FILA DOPPIA - DOUBLE ROW

**ORietta «N» (\*)**



## FILA DOPPIA E TRIPLA - DOUBLE AND TRIPLE ROW

**ORietta «W» (\*\*)**

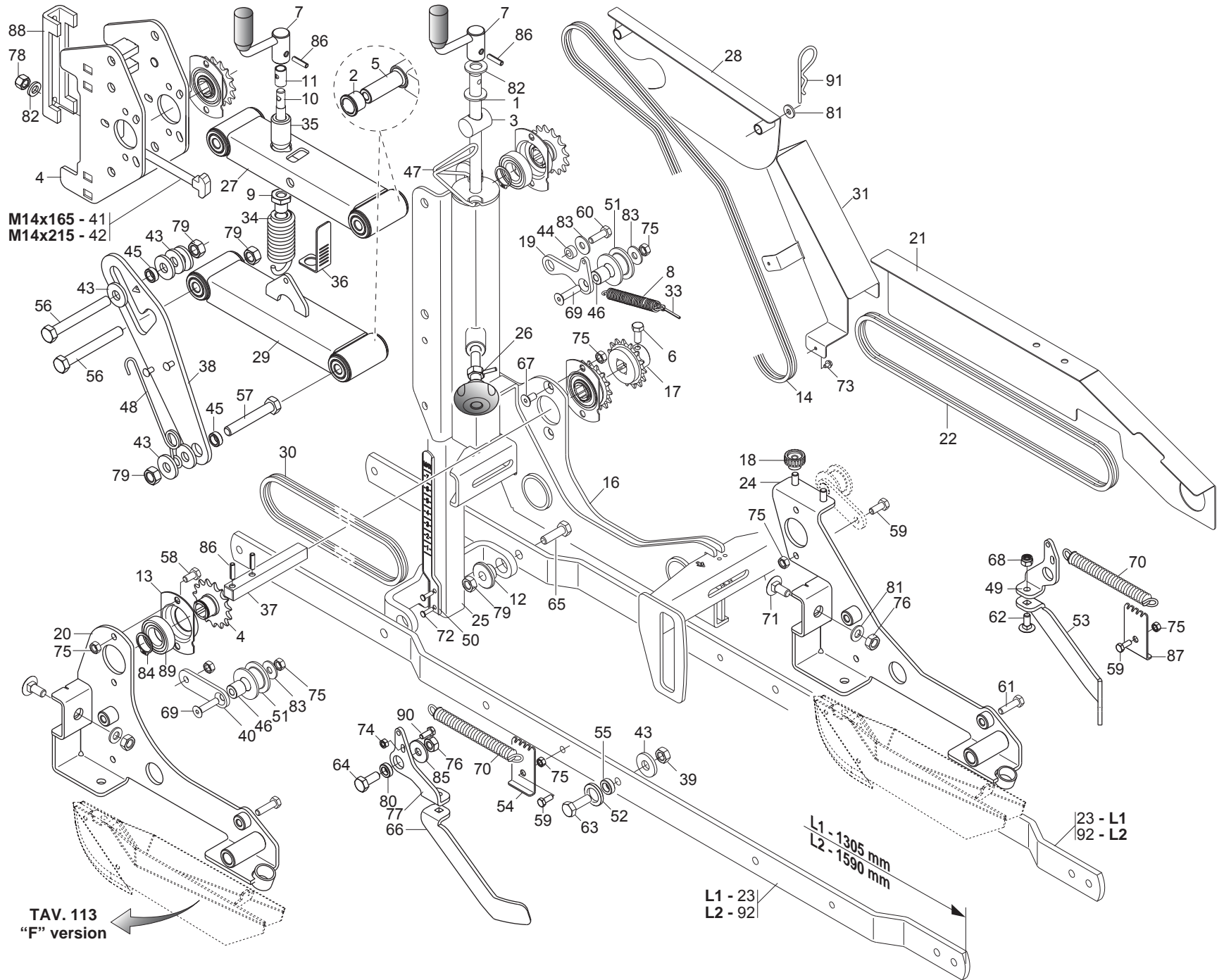


# RUOTINI DI COMPRESSIONE

TAV. 132

Pos.	Cod.	Descrizione	Description	Description	Benennung	Description
1	F01030211	VITE M8X1,25X25 U7380 10.9ZD	SCR. M8X1,25X25 U7380 10.9ZD	VIS 8X25 U7380 10.9 ZN	SCHRAUBE 8X25 U7380 10.9 ZN	TORNILLO 8X25 U7380 10.9 ZN
2	G19005290	DISTANZIALE 15X24X6	SPACER 15X24X6			
3	F06120066	RUOTINO FLEX 170 X 30	WHEEL FLEX 170X 30			
4	F01240012	DADO M6X1 U5448 5.8ZN	NUT M6X1 U5448 5.8ZN	ECROU 6 UNI 5448 5.8 ZN	MUTTER 6 UNI 5448 5.8 ZN	TUERCA 6 UNI 5448 5.8 ZN
5	G15828440	RASCHIATERRA RUOTINI FS	WHEEL SOIL-SCRAPER FS	RACLEUR ROUE FS	ERDSCHABER FS	RASCADOR RUEDA FS
6	F01060069	VITE M10X1,5X30 U5731 8.8ZN	SCR. M10X1,5X30 U5732 4.6ZN	BOULON 10X30 5732 4.6	SCHRAUBE 10X30 5732 4.6	PERNO 10X30 5732 4.6
7	G15827491	STELO PRESSORE R	PRESSURE STEM ASS.	GR. TIGE	SCHAFT	CONJ. VµSTAGO
8	G15828740	ASS.ASSE RUOTINO	WHEEL AXIS ASS.	GR. AXE ROUE	RADACHSE	CONJ. EJE RUEDA
9	F02050034	ANELLO E. DE 15X 1 U7435 C70	ELASTIC RING DE 15X 1	BAGUE ELASTIQUE DE 15X 1	RING DE 15X 1	ANILLO DE 15X 1
10	G19005970	DIST.D.15 X22 X 9	SPACER D.15 X22 X 9			
11	G15827480	ASSE COPRISEME	SEED-COVER AXLE	AXE COUVRE-GR.	SAMENABDECK ASCHE	CUBRESEMILLAS EJE
12	G15825251	SUPP.RUOTINO PREMISEME FS	STRIP SEED PRESS WHEEL SUPPORT	ASS. SUPPORT ROUET RECOUVREUR	SAMENANDRUCKROLLENHALTERUNGSKO	CONJ.. SOPORTE RODILLO PRENSA
13	F01410037	ROS.M6 6.4X12,5X1,6 U6592 ZN	WASHER M6 6,4X12,5X1,6 U6592ZN	RONDEL.M6 6,4X12,5X1,6 U6592ZN	SCHIEB.M6 6,4X12,5X1,6 U6592ZN	ARAND.M6 6,4X12,5X1,6 U6592 ZN
14	F20110500	INGRASS.A SFERE M6X1 LUNGO	SPHERE NIPPLE M6X1 LONG	GRAISSEUR A BILLES M6X1 LONG	KUGELFETTBSCHSE M6X1 LANG	ENGRASADOR ESFERAS M6X1 LARGO
15	F02200363	COPIGLIA R 3X 62 ZN	SPRING SPLIT PIN 3X 62 ZN	GOUPILLE R 3X62	SPLINT R 3X62	CHAVETA R 3X62
16	G19004530	VOLANTINO PRESSORE (SEM.ORT.R)	HANDWHEEL	VOLANT	HANDRAD	VOLANTE
17	G66248100	RULLO TEND. SP	TIGHTENER ROLLER SP	ROULEAU TENDEUR SP	SPANNERROLLE SP	RODILLO TENSOR SP
18	G19004560	BOCCOLA MOLLA PRESSORE	SPRING BUSHING	RESSORT	FEDER	CASQUILLO MUELLE
19	G18903670	MOLLA COMPRESSIONE RUOTINO	COMPR. WHEEL SPRING	RESSORT COMPRESSION ROUET	FEDER DsNGUNG ROLLE	MUELLE COMPRESIN RUEDECILLA A
20	G19005161	BOCCOLA 15X40X12 PLA	BUSHING 15X40X12 PLA			
21	G15829590	MONT.RUOTA GOMMAD.162X24 FL.	RUBBER WHEEL D.162X24 FL.			
22	GA5820270	RUOTA INOX D.168X23 COMPL	WHEEL INOX D.168X23 COMPL			
23	F01020398	VITE M6X1X12 U5739 8.8ZN	SCR. M6X1X12 U5739 8.8ZN	VIS M6X 1X12 U5739 8.8 ZN	SCHRAUBE M6X 1X12 U5739 8.8 ZN	TORNILLO M6X 1X12 U5739 8.8 ZN
24	G15826010	BRACCIO PREMISEME FASCIA	STRIP SEED PRESS ARM COUPLING	ASS. BRAS ROUE INTERMEDIAIRE P	SAMENANDRUCKARM_GELKOMPLEX	CONJ. PRENSA SEMILLAS FAJA
25	G15829451	RUOTA INOX D.162X65 FL.COMPL	WHEEL INOX D.162X65FL.ASS.BLY			
26	F01200232	DADO M6X1 U5588 6.8ZN	NUT M6X1 U5588 6.8ZN	ECROU 6 UNI 5588 6.8 ZN	MUTTER 6 UNI 5588 6.8 ZN	TUERCA 6 UNI 5588 6.8 ZN
27	G22250178	RASCHIATERRA RUOTINO LARGO SV	WIDE WHEEL SOIL-SCRAPER SV	RACLEUR ROUET LARGE SV	ERDSCHABER BREITE ROLLE SV	RASCADOR RUEDECILLA LARGA SV
28	G15828830	ASS.ASSE RUOTINO A FASCIA	SEM."R" BANDS WHEEL AXIS ASS.	GR. AXE ROUE BANDES SEM."R"	RADACHSE BsNDE SEM."R"	CONJ. EJE RUEDA FAJA SEM."R"
29	G15828151	STELO PRESSORE RUOT.FASCIA	STRIP WHEEL PRESSURE STEM ASS.	GR. TIGE ROUE BRIDE	SCHAFT RAD BAND	CONJ. VµSTAGO RUEDA BANDA
30	G19005300	DISTANZIALE 15X22X4,5	SPACER 15X22X4,5			
31	G15825430	BRACCIO SX.PREMISEME DR	DR LEFT-SIDE SEED PRESS ARM CO	ASS. BRAS GAUCHE ROUE INTERMED	ARMKOMPLEX LINKS SAMENANDR_CKE	CONJ.. BRAZO SX PRENSASEMILLAS
32	G15825440	BRACCIO DX.PREMISEME DR	DR RIGHT-SIDE SEED PRESS ARM C	ASS. BRAS DROIT ROUE INTERMEDI	ARMKOMPLEX RECHTS SAMENANDR_CK	CONJ. BRAZO DX PRENSASEMILLAS
33	G10122392	RASCHIATERRA	SOILSCRAPER			
34	G15881931	COPRISEME A FASCIA DX	RIGHT STRIP SEED COVER			
35	G15881921	COPRISEME A FASCIA SX	LEFT STRIP SEED COVER			
36	F01410100	ROS.M16 17X 30X 3 U6592 ZN	WASHER M16 17X30X3 U6592 ZN	RONDELLE M16 17X30X3 U6592 ZN	SCHRAUBE M16 17X 30X3 U6592 ZN	ARANDELA M16 17X30X 3 U6592 ZN
37	G15881800	ASS.SUPPORTO RASCHIATERRA	ASS.SOIL-SCRAPER SUPPORT			
38	G15881780	ASS.ASSE RUOTINO TR	WHEEL AXIS TR	AXE ROUE TR	RADACHSE TR	EJE RUEDA TR
39	G15881840	PERNO RUOTE PREMISEME TR ZN	WHEELS PIN SEEDPRESS TR			
40	G15881750	ASS.PRESSORE RUOTINI TR	WHEEL TR PRESS.			
41	F04010125	CUSC.D15 D32 B9 6002 2RS1	BEARING D15 D32 B9 6002 2RS1	PALIER 6002 2RS1	LAGER 6002 2RS1	COJINETE 6002 2RS1
42	G19005331	FIANCO RUOTA D.168	SIDE WHEEL D.168			
43	G15882720	ANELLO INOX 168X65	STAINLESS RING 168X65			
44	F01030038	VITE M6X1X20 U5933 10.9ZD	SCR. M6X1X20 U5933 10.9ZD	VIS M6X1X20 U5933 10.9ZD	SCHRAU. M6X1X20 U5933 10.9ZD	TORNILLO M6X1X20 U5933 10.9ZD
45	G15829420	TUBO GOMMATO D.162X24	RUBBER TUBE D.162X24			
46	GA5820280	ANELLO INOX 168X23	STAINLESS RING 168X23			
47	F01030041	VITE M6X1X10 U5933 10.9ZD	SCREW M6X1X10 U5933 10.9ZD	VIS M6X1X10 U5933 10.9ZD	SCHRAU. M6X1X10 U5933 10.9ZD	TORNILLO M6X1X10 U5933 10.9ZD
48	G15827610	PROLUNGA BILANCIERE	EXTENSION ROCKER			
49	F01030084	VITE M10X1,5X25 U5933 10.9ZD	SCREW M10X1,5X25 U5933 10.9ZD	VIS M10X1,5X25 U5933 10.9ZD	SCHRA.M10X1,5X25 U5933 10.9ZD	TORN. M10X1,5X25 U5933 10.9ZD
50	F01200270	DADO M10X1,5 U5588 6.8ZN	NUT M10X1,5 U5588 6.8ZN	ECROU M10X 1,5 U5588 6.8 ZN	MUTTER M10X 1,5 U5588 6.8 ZN	TUERCA M10X 1,5 U5588 6.8 ZN
51	G15882300	DISTANZIALE 15-25X50	SPACER 15-25X50			
52	G15882480	SUPP.BASCULANTE	PIVOT SUPP.			
53	G15882470	PIATTO DX SUPP.BASCULANTE	PIVOTING SUPP.RIGHT PLATE			
54	G15882490	PIATTO SX SUPP.BASCULANTE	LEFT PLATE SUPP.SWINGING			
55	G18801680	BOCCOLA 11 X25 X7,5 ZN	BUSHING 11X25X7,5 GALVA	BOITE 11X25X7,5 ZN	BsCHSE 11X25X7,5 ZN	CASQUILLO 11X25X7,5 ZN
56	F01020043	VITE M6X1X60 U5737 8.8ZN	SCR. M6X1X60 U5737 8.8ZN	VIS M6X1X60 U5737 8.8 ZN	SCHRAUBE M6X1X60 U5737 8.8 ZN	TORNILLO M6X1X60 U5737 8.8 ZN
57	F01230022	DADO M6X1 D982 8ZN	NUT M6X1 D982 8ZN	ECROU AUTO-FREIN.M6X1 D982 8ZN	SICHERUNGSMUT. M6X1 D982 8 ZN	TUERCA DE SEGU.M6X1 D982 8 ZN
58	F01020114	VITE M10X1,5X50 U5737 8.8ZN	SCR. M10X1,5X50 U5737 8.8ZN	VIS M10X 1,5X50 U5737 8.8 ZN	SCHRA.M10X 1,5X50 U5737 8.8 ZN	TORN. M10X 1,5X50 U5737 8.8 ZN
59	F01410064	ROS.M10 10,5X 20X 2 U6592 ZN	WASHER M10 10,5X20X2 U6592 ZN	RONDEL. M10 10,5X20X2 U6592 ZN	SCHIEBE M10 10,5X20X2 U6592 ZN	ARANDEL.M10 10,5X20X2 U6592 ZN
60	G20970149	RONDELLA D.15X28X1,5	WASHER D.15X28X1-5	RONDELLE D. 15X28X1-5	UNTERLEGSCHIEBE D.15X28X1-5	ARANDELA D.15X28X1-5

TAV. 232





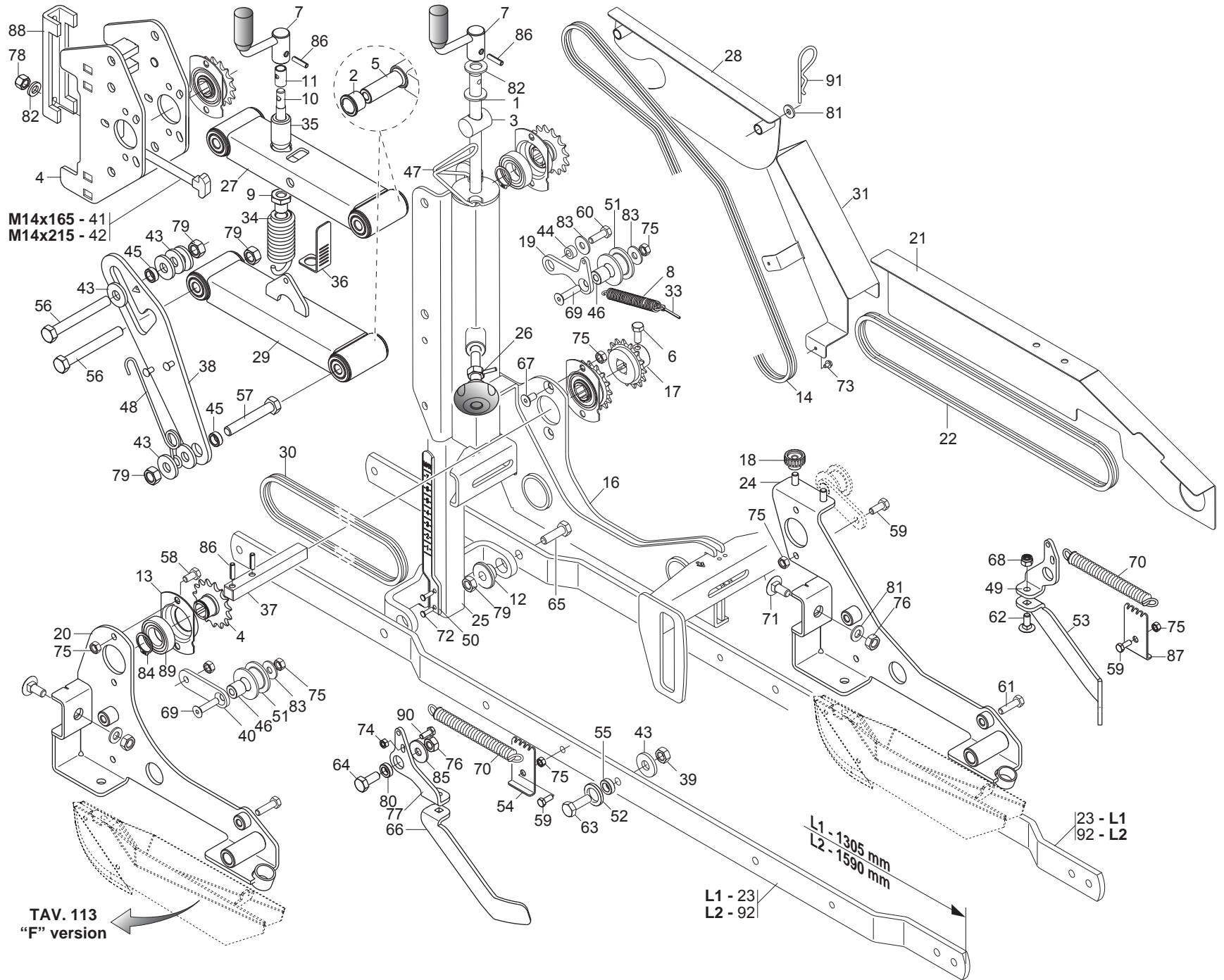
# ELEMENTO OLIMPIA

TAV. 232

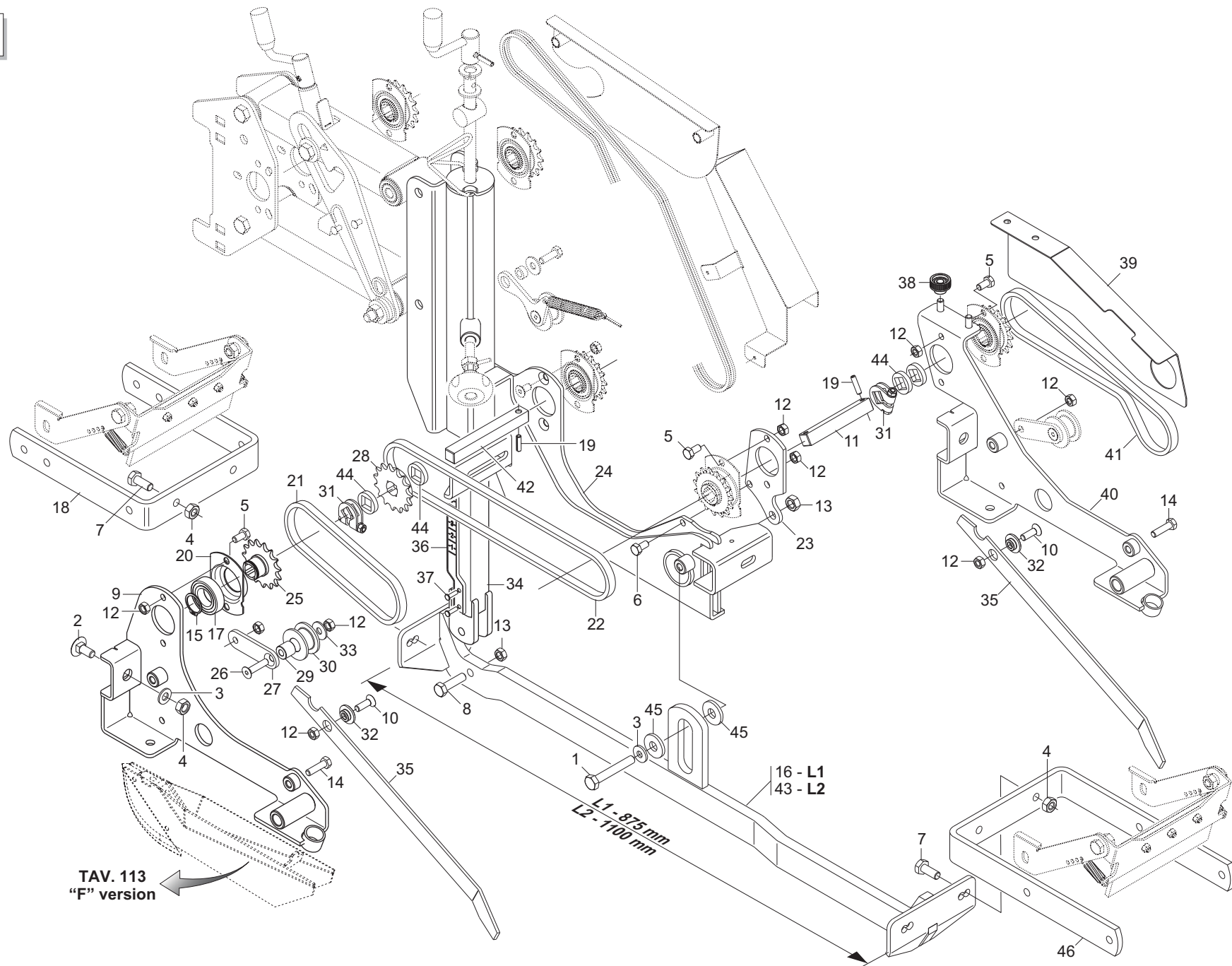
Pos.	Cod.	Descrizione	Description	Description	Benennung	Descrpcion
1	G22230062	VITE DI REGOLAZIONE	ADJUSTMENT BOLT	VIS DE REGLAGE	EINSTELLSCHRAUBE	TORNILLO DE REGULACION S
2	G66349003	BOCCOLA SINT.	BUSHING- SINTERED	BOITE FRITTEE	SYNTH. BUECHSE	CASQUILLO SINT.
3	G22230063	ELEMENTO ARTICOLATO	ARTICULATED ELEMENT	ELEMENT ARTICULE	GELENKELEMENT	ELEMENTO ARTICULADO
4	G15835470	PIGNONE ISO 08B-1 1/2-3/16 Z15	ISO 08B-1 Z=15 PINION SQR16,4			
5	G22250405	PERNO BRACCIO INFERIORE SV/2	PIN- LOWER ARM SV/2	PIVOT BRAS INF. SV/2	ZAPFEN UNTERER ARM SV/2	PERNO BRAZO INFERIOR SV/2
6	F01020427	VITE M 8X1,25X 12 U5739 8.8ZN	SCR. M8X1,25X12 U5739 8.8ZN	VIS M8X1,25X12 U5739 8.8ZN	SCHRA. M8X1,25X12 U5739 8.8ZN	TORN. M8X1,25X12 U5739 8.8ZN
7	G22270235	MANIGLIA REGOLAZIONE B4	ADJUSTMENT HANDLE B4	POIGNEE REGLAGE B4	EINSTELLGRIFF B4	MANIJA REGULACION B4 M
8	G18902360	MOLLA AGGANCIAMENTO SEGNAFILE SP	ROWMARKER COUPLER SPRING SP			
9	G15220120	VITE REGOLAZIONE ZN	REGULATION BOLT	VIS RÉGLAGE ZN	STELLSCHRAUBE ZN	TORNILLO REGULACIÓN ZN
10	G22505063	VITE REGOL.RUOTE POSTERIORI	BOLT- REAR WHEEL ADJUSTM.	VIS REGLAGE ROUES ARRIERES	EINSTELLSCHRAUBE HINTERRZDER	TORNILLO REGUL. RUEDAS TRASERA
11	G22505061	BOCCOLA VITE DI REGOLAZIONE	BUSHING	BOITE VIS DE REGLAGE	BsCHSE EINSTELLSCHRAUBE	CASQUILLO TORNILLO DE REGULACION
12	G15224630	BOCCOLA BRACCIO	ARM BUSHING	BOITE BRAS	BsCHSE ARM	CASQUILLO BRAZO
13	G15725030	SUPPORTO CUSCINETTO	BEARING SUPPORT	SUPPORT PALIER	LAGERHALTERUNG	SOPORTE COJINETE
14	F06080087	CATENA 1/2 ISO 083 86 MAGLIE	CHAIN 1/2 ISO 083 86 MESH			
15	G15821861	SPIANATERRA	SOIL LEVELLER			
16	G15827621	TELAIETTO CENTRALE OLIMPIA N	CENTRAL FRAME OLIMPIA N			
17	G15827660	PIGNONE Z-15 ZN	PINION Z-15 ZN			
18	F06220037	VOLANTINO ZIGR.D.26-M8 FEM	KNURLED HANDWHEEL D.26-M8			FOLLETO ZIGR.D.26-M8
19	G15827680	BRACCIO TENDICATENA ZN	CHAIN-STRETCHER ARM			
20	G15827701	ATTACCO DISTRIBUTORE ANT.	FRONT.HITCH DISTR.			
21	G15827800	CARTER POST.SEMINATORE	REAR CARTE PLANTER			
22	F06080050	CATENA 1/2 ISO 083 96 MAGLIE	CHAIN 1/2 ISO 083 96 LINKS	TR. CH...1/2 ISO 083 96 MAILL	KETTENZNGE 1/2 ISO 083 96 GL	TRECHO CADENA 1/2 ISO 083 96 E
23	GA5820730	BRACCIO BILANCIERE EVO	BALANCE WHEEL ARM EVO			
24	G15827861	ATTACCO DISTRIBUTORE POST.	REAR HITCH DISTRIB.			
25	G15827870	SUPPORTO BILANCIERE	SUPPORT ROCKET ARM			
26	G16621830	MONT.VOLANTINO RUOTA PROF.SP	DEPTH WHEEL HANDLE SP ASS.BLY			
27	GA5820420	PARALLELO SUP.CON PERNI	UPPER PARALLEL WITH PINS			
28	G15827930	CARTER ANT.	FRONT CARTER			
29	GA5820430	PARALLELO INF.CON PERNI	LOWER PARALLEL WITH PINS			
30	F06080016	CATENA 1/2 ISO 083 38 MAGLIE	CHAIN 1/2 ISO 083 38 LINKS	CHAINE 1/2 ISO 083 38 MAILLES	KETTE 1/2 ISO 083 38 MASCHE	CADENA 1/2 ISO 083 38 ESLABON
31	G15827990	CARTER CENTRALE SEMINATORE	PLANETER CENTRAL CARTER			
32	G15828250	ATTACCO TELAI	FRAME COUPLING	FIXATION BATI	KUPPLUNG RAHMEN	CONEXIN BASTIDOR
33	F02200194	COPIGLIA 4X 25 U1336 ZN	SPLIT PIN 4 X25 1336 GALVAN.	GOUPILLE 4 X25 1336 ZN	SPLINT 4 X25 1336 ZN	PASADOR 4 X25 1336 ZN
34	G15828660	ASS.MOLLA ALLEGGERIMENTO	LIGHTENING SPRING COUPLING	ASS. RESSORT ALLEGEMENT	ERLEICHTERUNGSFEDERKOMPLEX	CONJ. MUELLE DE ALIGERAMIENTO
35	G15828760	BOCCOLA TENDITORE 14,00X25X 45	BUSHING- TIGHTENER	BOITE TENDEUR	BsCHSE SPANNER	CASQUILLO TENSOR
36	G15829290	INDICE MOLLA PARALLELOGR. ZN	PARALL.SPRING INDICATOR			
37	G15829630	ASSE TRASMISSIONE	TRANSMISSION AXLE	AXE TRANSMISSION	ANTRIEBSACHSE	EJE TRANSMISIN
38	G15829681	ASTAAGGANCIAMENTO	HOOK PLATE ASSEMBLY			
39	F01220033	DADO M10X1,5 D980 8ZN	NUT M10X1,5 D980 8ZN	ECROU M10X1,5 D980 8ZN	MUTTER M10X1,5 D980 8ZN	TUERCA M10X1,5 D980 8ZN
40	G15835360	BRACCIO TENDICATENA ZN	CHAIN-STRETCHER ARM			
41	G16610010	VITE A MARTELLO M14X165	WINGED BOLT M14X165	VIS A TETE MARTEAU M14X165	ZWEIFLÜGEL- SCHRAUBEN M14X165	TORNILLO DE MARIPOSA M14X165
42	G16610020	VITE A MARTELLO M14X215	WINGED BOLT M14X215	VIS A TETE MARTEAU M14X215	ZWEIFLÜGEL- SCHRAUBEN M14X215	TORNILLO DE MARIPOSA M14X215
43	G20970035	RONDELLA 32X4X13	WASHER 32X4X13	RONDELLE 32X4X13	UNTERLEGSCHHEIBE 32X4X13	ARANDELA 32X4X13
44	G20980050	BOCCOLA 15X7X8,5 ZN	BUSHING 15X7X8-5 ZN	BOITE 15X7X8-5 ZN	BsCHSE 15X7X8-5 ZN	CASQUILLO 15X7X8-5 ZN
45	G20980082	BOCCOLA 18X7X12,25	BUSHING 18X7X12-25			
46	G18801450	BOCCOLA 8,25 X18 X17 IX	BUSHING 8,25 X 18 X 17	BOITE 8,25 X18 X17	BsCHSE 8,25 X18 X17	CASQUILLO 8,25 X18 X17
47	G65336100	MOLLA SPEC.FERMO MANIGLIA SP	SPEC SPRING HANDLE STOP SP	RESSORT SPEC. ARRET POIGNEE SP	SPEZIALFEDER GRIFFSPERRE SP	MUELLE ESPEC. BLOQUEO MANIJA S
48	G18902880	MOLLA FERMO PARALLELO SP	PARALLEL LOCK SPRING SP			
49	G15882230	SUPPORTO COPRISEME DX	RIGHT SEEDCOVER SUPPORT			
50	G19003400	ASTA INDICAZIONE PROFONDITA'	DEPTH INDICATING ROD	TIGE INDICATION PROFONDEUR	TIEFENANZEIGESTAB	VARILLA INDICACIÓN PROFUNDIDAD
51	G19005110	RULLO TENDICATENA	ROLLER CHAIN TIGHTENER			RODILLO TENSIONA CADENA
52	G19005460	BOCCOLA BILANCIERE	ROCKER BUSHING	BOITE BALANCIER	BsCHSE KIPPHEBEL	CASQUILLO BALANCN
53	G15882250	COPRISEME DX	SEEDCOVERING RIGHT			
54	G15829970	ATTACCO DX MOLLA COPRISEME	RIGHT HITCH SEEDCOVER SPRING			



TAV. 232

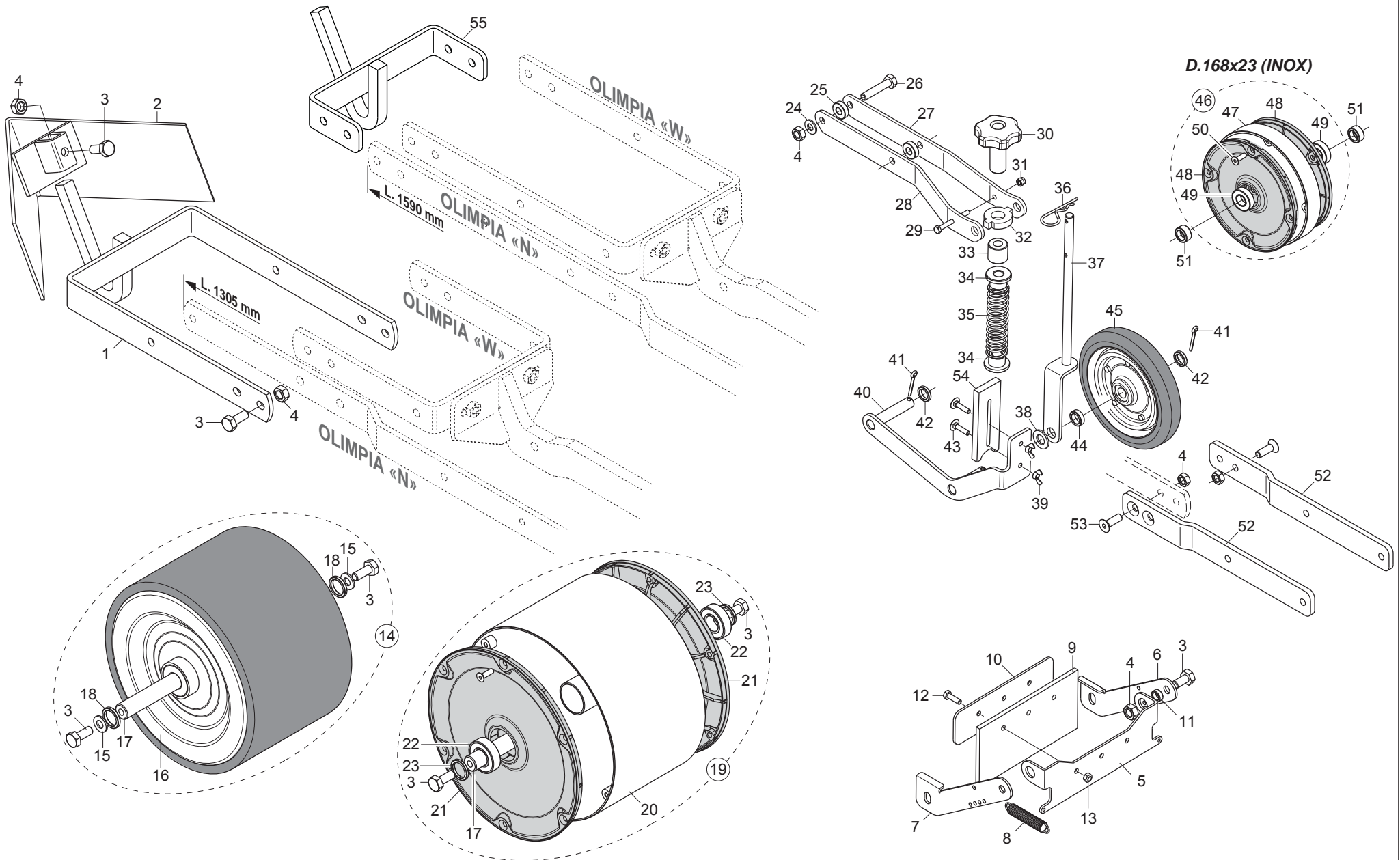


Pos.	Cod.	Descrizione	Description	Description	Benennung	Descripcion
55	G18801610	BOCCOLA 10,25X16 X11 ZN	BUSHING 10.25 X 16 X 11- GALVA	BOITE 10-25X16 X11 ZN	BsCHSE 10-25X16 X11 ZN	CASQUILLO 10-25X16 X11 ZN
56	F01020170	VITE M12X1,75X100 U5737 8.8ZN	SCR. M12X1,75X100 U5737 8.8ZN	VIS M12X1,75X100 5737 8.8 ZN	SCHRA.M12X1,75X100 5737 8.8 ZN	TORN. M12X1,75X100 5737 8.8 ZN
57	F01020172	VITE M12X1,75X110 U5737 8.8ZN	SCR. M12X1,75X110 U5737 8.8ZN	VIS M12X1,75X110 U5737 8.8ZN	SCHRA.M12X1,75X110 U5737 8.8ZN	TORN.M12X1,75X110 U5737 8.8ZN
58	F01020432	VITE M8X1,25X16 U5739 8.8ZN	SCR. M8X1,25X16 U5739 8.8ZN	VIS M8 X1,25X16 U5739 8.8 ZN	SCHRAUBE M8X1,25X16U5739 8.8ZN	TORNILLO M8X1,25X16U5739 8.8ZN
59	F01020436	VITE M8X1,25X20 U5739 8.8ZN	SCR. M8X1,25X20 U5739 8.8ZN	VIS M8X1,25X 20 U5739 8.8 ZN	SCHRAUBE M8X1,25X20U5739 8.8ZN	TORN. M8X1,25X20 U5739 8.8 ZN
60	F01020440	VITE M8X1,25X25 U5739 8.8ZN	SCR. M8X1,25X25 U5739 8.8ZN	VIS M8X1,25X25 U5739 8.8 ZN	SCHRAUBE M8X1,25X25U5739 8.8ZN	TORNIL.M8X1,25X25 U5739 8.8 ZN
61	F01020445	VITE M8X1,25X30 U5739 8.8ZN	SCR. M8X1,25X30 U5739 8.8ZN	VIS M 8X1,25X30 U5739 8.8 ZN	SCHRAU. M8X1,25X30 U5739 8.8ZN	TORN. M8X1,25X30 U5739 8.8 ZN
62	F01060040	VITE M8X1,25X20 U5731 8.8ZN	SCR. M8X1,25X20 U5732 4.6ZG	VIS M8X1,25X20 U5732 4.6 ZN	SCHRA. M8X1,25X20 U5732 4.6 ZN	TORN. M8X1,25X20 U5732 4.6 ZN
63	F01020479	VITE M10X1,5X35 U5739 8.8ZN	SCR. M10X1,5X35 U5739 8.8ZN	VIS M10X1,5X35 U5739 8.8 ZN	SCHR. M10X1,5X35 U5739 8.8 ZN	TORN. M10X1,5X35 U5739 8.8 ZN
64	F01020472	VITE M10X1,5X25 U5739 8.8ZN	SCR. M10X1,5X25 U5739 8.8ZN	VIS M10X1,5X25 U5739 8.8 ZN	SCHRAUBE M10X1,5X25 U5739 8.8	TORNILLO 10X25 U5739 8.8 ZN
65	F01020512	VITE M12X1,75X35 U5739 8.8ZN	SCR. M12X1,75X35 U5739 8.8ZN	VIS M12X1,75X35 5739 8.8 ZN	SCHR. M12X1,75X35 5739 8.8 ZN	TORN. M12X1,75X35 5739 8.8 ZN
66	G15882240	COPRISEME SX	SEEDCOVERING LEFT			
67	F01030054	VITE M8X1,25X16 U5933 10.9ZD	SCR. M8X1,25X16 U5933 10.9 ZD	VIS M8X1,25X16 U5933 10.9 ZD	SCHRAU.M8X1,25X16 U5933 10.9ZD	TORNI.M8X1,25X16 U5933 10.9 ZD
68	F01230034	DADO M8X1,25 D982 8	NUT M8X1,25 D982 8ZN	ECROU M8X 1,25 D982 8 ZN	MUTTER M8X 1,25 D982 8 ZN	TUERCA M8X 1,25 D982 8 ZN
69	F01030060	VITE M8X1,25X35 U5933 10.9ZD	SCREW M8X1,25X35 U5933 10.9ZD	VIS M8X1,25X35 U5933 10.9ZD	SCHRA.M8X1,25X35 U5933 10.9ZD	TORN. M8X1,25X35 U5933 10.9ZD
70	G18902520	>MOLLA TRAZ.ZN RASCHIATERRA	SCRAPER TRACTION SPRING ZN			RESORTE TRAZ.ZN RASTRILLO
71	F01060069	VITE M10X1,5X30 U5731 8.8ZN	SCR. M10X1,5X30 U5732 4.6ZN	BOULON 10X30 5732 4.6	SCHRAUBE 10X30 5732 4.6	PERNO 10X30 5732 4.6
72	F02250077	RIVETTO STR. 3 X14 U9200A AL	3X14 ALUMINIUM PULL RIVET	RIVET A RUPTURE 3X14 ALUMINIUM	REISSNIETE3X14 ALL.	REMACHE DESGAR. 3X14 ALL.
73	F01070011	VITE A4,2X1,41X9,5 U6950 4.8NI	SCR. H4,2X1,41X9,5 U6950 4.8NI	VIS AUTOTAR. 4-2X9-5 T. E. COU	SELBSTSCHNEID. SCHRAUBE 4-2X9-5	TORNILLO AUTORROSC. 4-2X9-5
74	F01200232	DADO M6X1 U5588 6.8ZN	NUT M6X1 U5588 6.8ZN	ECROU 6 UNI 5588 6.8 ZN	MUTTER 6 UNI 5588 6.8 ZN	TUERCA 6 UNI 5588 6.8 ZN
75	F01200244	DADO M8X1,25 U5588 6.8ZN	NUT M8X1,25 U5588 6.8ZN	ECROU M8 X1,25 U5588 6.8 ZN	MUTTER M8 X1,25 U5588 6.8 ZN	TUERCA M8 X1,25 U5588 6.8 ZN
76	F01200270	DADO M10X1,5 U5588 6.8ZN	NUT M10X1,5 U5588 6.8ZN	ECROU M10X 1,5 U5588 6.8 ZN	MUTTER M10X 1,5 U5588 6.8 ZN	TUERCA M10X 1,5 U5588 6.8 ZN
77	G15882220	SUPPORTO COPRISEME SX	LEFT SEEDCOVER SUPPORT			
78	F01200306	DADO M14X2 U5588 6.8ZN	NUT M14X2 U5588 6.8ZN	ECROU M14X2	MUTTER M14X2	DADO M14X2
79	F01220048	DADO M12X1,75 D980 8ZN	NUT M12X1,75 D980 8ZN	ECROU M12X1,75 D980 8 ZN	SCHIEBE M12X1,75 D980 8 ZN	TUERCA M12X1,75 D980 8 ZN
80	G18800260	BOCCOLA 10,5X18X6 ZN	BUSHING 10,5X18X6 ZN			
81	F01410064	ROS.M10 10,5X 20X 2 U6592 ZN	WASHER M10 10,5X20X2 U6592 ZN	RONDEL. M10 10,5X20X2 U6592 ZN	SCHIEBE M10 10,5X20X2 U6592 ZN	ARANDEL.M10 10,5X20X2 U6592 ZN
82	F01410088	ROS.M14 15X 28X2,5 U6592 ZN	WAS.M14 15X 28X2,5 U6592 ZB	RON.M14 15X 28X2,5 U6592 ZB	SCH.M14 15X 28X2,5 U6592 ZB	ARA.M14 15X 28X2,5 U6592 ZB
83	F01420048	ROS.M8 8,4X 24X 2 U6593 ZN	WASHER M8 8,4X 24X2 U6593 ZN	RONDELLE M8 8,4X24X 2 U6593 ZN	SCHIEBEN M8 8,4X24X 2 U6593 ZN	ARANDELA M8 8,4X 24X2 U6593 ZN
84	F02050101	ANELLO E. DE 25X 1,2 U7435 C70	SEEGER RING E. 25X1,2 7435 C70	SEEGER E. 25X 1,2 U7435 C70	SEEGERING E. 25X 1,2 U7435 C70	ANILLO E. 25X 1,2 U7435 C70
85	F01420060	ROS.M10 10,5X 30X2,5 U6593 ZN	WASHER 10,5X30	RONDELLE 10,5X30	SCHIEBE 10,5X30	ARANDELA 10,5X30
86	F02100111	SPINA E.P. 6X 24 U6873 A2 IX	PIN EL. 6 X24 U6873 A2 IX			
87	G15829960	ATTACCO SX MOLLA COPRISEME	LEFT SEEDCOVER PRING			
88	G15110091	SCONTRIO A U SP.8 2F15 165	STRIKER	BRIDE 150 MM	ANSCHLAG	ELEMENTO DE EMPALME
89	F04010134	CUSC.D25 D47 B12 6005 2Z	BEARING D25 D47 B12 6005 2Z	PALIER 6005 2Z	LAGER 6005 2Z	COJINETE 6005 2Z
90	F01020403	VITE M6X1X16 U5739 8.8ZN	SCR. M6X1X16 U5739 8.8ZN	VIS M6X1X16 U5739 8.8 ZN	SCHRAUBE M6X1X16 U5739 8.8 ZN	TORNILLO M6X1X16 U5739 8.8 ZN
91	F02200342	COPIGLIA R 2X 50 ZN	SPRING SPLIT PIN 2X50 ZN	GOUPILLE R 2X50 ZN	SPLINT R 2X50 ZN	CHAVETA R 2X50 ZN
92	G15827831	BRACCIO BILANCIERE	BALANCE WHEEL ARM			



**VARIANTI ELEMENTO OLIMPIA «W»**
**TAV. 331**

Pos.	Cod.	Descrizione	Description	Description	Benennung	Descripcion
1	F01020122	VITE M10X1,5X70 U5737 8.8ZN	SCR. M10X1,5X70 U5737 8.8ZN	VIS M10X1,5X70 U5737 8.8 ZN	SCHRA.M10X1,5X70 U5737 8.8 ZN	TORN. M10X1,5X70 U5737 8.8 ZN
2	F01060069	VITE M10X1,5X30 U5731 8.8ZN	SCR. M10X1,5X30 U5732 4.6ZN	BOULON 10X30 5732 4.6	SCHRAUBE 10X30 5732 4.6	PERNO 10X30 5732 4.6
3	F01410064	ROS.M10 10,5X 20X 2 U6592 ZN	WASHER M10 10,5X20X2 U6592 ZN	RONDEL. M10 10,5X20X2 U6592 ZN	SCHLEIBE M10 10,5X20X2 U6592 ZN	ARANDEL.M10 10,5X20X2 U6592 ZN
4	F01200270	DADO M10X1,5 U5588 6.8ZN	NUT M10X1,5 U5588 6.8ZN	ECROU M10X 1,5 U5588 6.8 ZN	MUTTER M10X 1,5 U5588 6.8 ZN	TUERCA M10X 1,5 U5588 6.8 ZN
5	F01020432	VITE M8X1,25X16 U5739 8.8ZN	SCR. M8X1,25X16 U5739 8.8ZN	VIS M8 X1,25X16 U5739 8.8 ZN	SCHRAUBE M8X1,25X16U5739 8.8ZN	TORNILLO M8X1,25X16U5739 8.8ZN
6	F01020440	VITE M8X1,25X25 U5739 8.8ZN	SCR. M8X1,25X25 U5739 8.8ZN	VIS M8X1,25X25 U5739 8.8 ZN	SCHRAUBE M8X1,25X25U5739 8.8ZN	TORNIL.M8X1,25X25 U5739 8.8 ZN
7	F01020472	VITE M10X1,5X25 U5739 8.8ZN	SCR. M10X1,5X25 U5739 8.8ZN	VIS M10X1,5X25 U5739 8.8 ZN	SCHRAUBE M10X1,5X25 U5739 8.8	TORNILLO 10X25 U5739 8.8 ZN
8	F01020485	VITE M10X1,5X50 U5739 8.8ZN	SCR. M10X1,5X50 U5739 8.8ZN	VIS M 10X50	SCHRAUBE M 10X50	TORNILLO M 10X50
9	G15827701	ATTACCO DISTRIBUTORE ANT.	FRONT.HITCH DISTR.			
10	F01030056	VITE M8X1,25X25 U5933 10.9ZD	SCR. M8X1,25X25 U5933 10.9ZD	VIS 8X25 5933 10.9 ZN	SCHRAUBE 8X25 5933 10.9 ZN	TORNILLO 8X25 5933 10.9 ZN
11	G15881260	ALBERO	SHAFT	ARBRE	WELLE	EJE
12	F01200244	DADO M8X1,25 U5588 6.8ZN	NUT M8X1,25 U5588 6.8ZN	ECROU M8 X1,25 U5588 6.8 ZN	MUTTER M8 X1,25 U5588 6.8 ZN	TUERCA M8 X1,25 U5588 6.8 ZN
13	F01220033	DADO M10X1,5 D980 8ZN	NUT M10X1,5 D980 8ZN	ECROU M10X1,5 D980 8ZN	MUTTER M10X1,5 D980 8ZN	TUERCA M10X1,5 D980 8ZN
14	F01020445	VITE M8X1,25X30 U5739 8.8ZN	SCR. M8X1,25X30 U5739 8.8ZN	VIS M 8X1,25X30 U5739 8.8 ZN	SCHRAU, M8X1,25X30 U5739 8.8ZN	TORN. M8X1,25X30 U5739 8.8 ZN
15	F02050101	ANELLO E. DE 25X 1,2 U7435 C70	SEEGER RING E. 25X1,2 7435 C70	SEEGER E. 25X 1,2 U7435 C70	SEEGERING E. 25X 1,2 U7435 C70	ANILLO E. 25X 1,2 U7435 C70
16	GA5820320	BILANCIERE SAGOMATO L875	ROCKER ARM SHAPED L875			
17	F04010134	CUSC.D25 D47 B12 6005 2Z	BEARING D25 D47 B12 6005 2Z	PALIER 6005 2Z	LAGER 6005 2Z	COJINETE 6005 2Z
18	G15881201	SUPP.RUOTA COMPRESS.L.170 ANT.	FRONT COMPR.WHEEL SUPP.I.170			
19	F02100111	SPINA E.P. 6X 24 U6873 A2 IX	PIN EL. 6 X24 U6873 A2 IX			
20	G15725030	SUPPORTO CUSCINETTO	BEARING SUPPORT	SUPPORT PALIER	LAGERHALTERUNG	SOPORTE COJINETE
21	F06080016	CATENA 1/2 ISO 083 38 MAGLIE	CHAIN 1/2 ISO 083 38 LINKS	CHAINE 1/2 ISO 083 38 MAILLES	KETTE 1/2 ISO 083 38 MASCH	CADENA 1/2 ISO 083 38 ESLABON
22	F06080197	CATENA 1/2 ISO 083 58 MAGLIE	CHAIN 1/2 ISO 083 58 LINKS	CHAINE 1/2 ISO 083 58 MAILLES	KETTE 1/2 ISO 083 58 GLIEDER	CADENA 1/2 ISO 083 58 ESLABNEL
23	GA5820400	SUPP.CUSCINETTO OLIMPIA W	BEARING SUPPORT OLIMPIA W			
24	G15881101	TELAIETTO CENTRALE W	CENTRAL FRAME W			
25	F15835470	PIGNONE ISO 08B-1 1/2-3/16 Z15	ISO 08B-1 Z=15 PINIONE SQR16,4			
26	F01030060	VITE M8X1,25X35 U5933 10.9ZD	SCREW M8X1,25X35 U5933 10.9ZD	VIS M8X1,25X35 U5933 10.9ZD	SCHRA.M8X1,25X35 U5933 10.9ZD	TORN. M8X1,25X35 U5933 10.9ZD
27	G15835360	BRACCIO TENDICATENA ZN	CHAIN-STRETCHER ARM			
28	G22250028	PIGNONE Z-15 SV	Z-15 PINION SV	PIGNON Z-15 SV	RITZEL Z-15 SV	PIÑON Z-15 SV P
29	G18801450	BOCCOLA 8,25 X18 X17 IX	BUSHING 8,25 X 18 X 17	BOITE 8,25 X18 X17	BsCHSE 8,25 X18 X17	CASQUILLO 8,25 X18 X17
30	G19005110	RULLO TENDICATENA	ROLLER CHAIN TIGHTENER			RODILLO TENSIONA CADENA
31	G22505085	FERMO ASSE IN LAMIERA	PLATE AXLE STOP	ARRET AXE EN TOLE	FESTSTELLVORRICHTUNG BLECHACHS	BLOQUEO EJE DE CHAPA
32	G15821110	BOCCOLA SUPPORTO COPRISEME	SEED COVER SUPP. BUSHING	BOITE SUPPORT COUVRE-SEMENCE	BsCHSE SAMENABDECKERHALTER.	CASQUILLO SOPORTE CUBRESEMILLA
33	F01420048	ROS.M8 8,4X 24X 2 U6593 ZN	WASHER M8 8,4X 24X2 U6593 ZN	RONDELLE M8 8,4X24X 2 U6593 ZN	SCHEIBEN M8 8,4X24X 2 U6593 ZN	ARANDELA M8 8,4X 24X2 U6593 ZN
34	G15881140	ASS.TUBO REGOLAZ.PROFONDITA	ASSY DEPTH ADJ.TUBE			
35	G15827811	COPRISEME	SEED COVER			
36	G19003400	ASTA INDICAZIONE PROFONDITA'	DEPTH INDICATING ROD	TIGE INDICATION PROFONDEUR	TIEFENANZEIGESTAB	VARILLA INDICACIÓN PROFUNDIDAD
37	F01070049	VITE A3,5X1,27X13 U6954 4.8NI	SCR. H3,5X1,27X13 U6954 4.8NI	VIS 3,5X1,27X 13 6954 4.8NI	SCHRAUBE 3.5X1.27X 13 6954 4.8	TORNILLO 3.5X1.27X 13 6954 4.8
38	F06220037	VOLANTINO ZIGR.D.26-M8 FEM	KNURLED HANDWHEEL D.26-M8			FOLLETO ZIGR.D.26-M8
39	G15881250	CARTER	REAR HITCH DISTRIB.			
40	G15827861	ATTACCO DISTRIBUTORE POST.	REAR HITCH DISTRIB.			
41	F06080023	CATENA 1/2 ISO 083 54 MAGLIE	CUT-DOWN CHAIN .1/2 ISO 083 54	TR. CH..1/2 ISO 083 54 MAILLE	KETTENZNGE 1/2 ISO 083 54 GL	TRECHO CADENA 1/2 ISO 083 54 E
42	G15829630	ASSE TRASMISSIONE	TRANSMISSION AXLE	AXE TRANSMISSION	ANTRIEBSACHSE	EJE TRANSMISIN
43	GA5820350	BILANCIERE SAGOMATO L1100	ROCKER ARM SPAHED L1100			
44	G66248218	RONDELLA DISTAN.SPANDI	MAN. SPR. SPACER WASHER	RONDELLE ENTRETOISE EP. ENGRAI	ABSTANDSCHEIBE DsNGERSTREUER	ARANDELA DISTAN.ABONAD.
45	G19005460	BOCCOLA BILANCIERE	ROCKER BUSHING	BOITE BALANCIER	BsCHSE KIPPHEBEL	CASQUILLO BALANCN
46	G15881211	SUPP.RUOTA COMPRESS.L.170 POST	REAR COMPRESS.WHEEL SUPP.L.170			

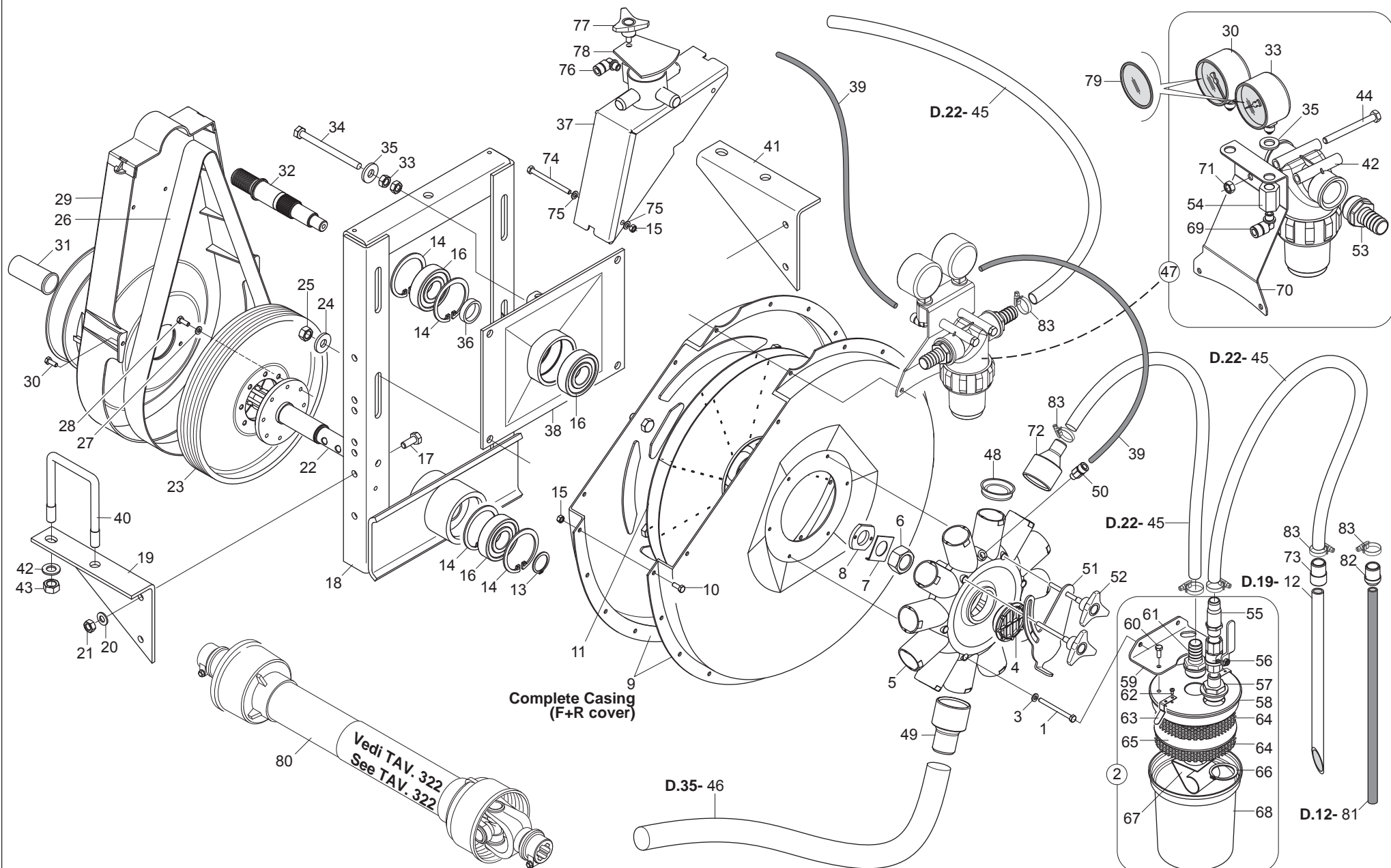




# RUOTE E RUOTINI DI COMPRESSIONE

TAV. 243

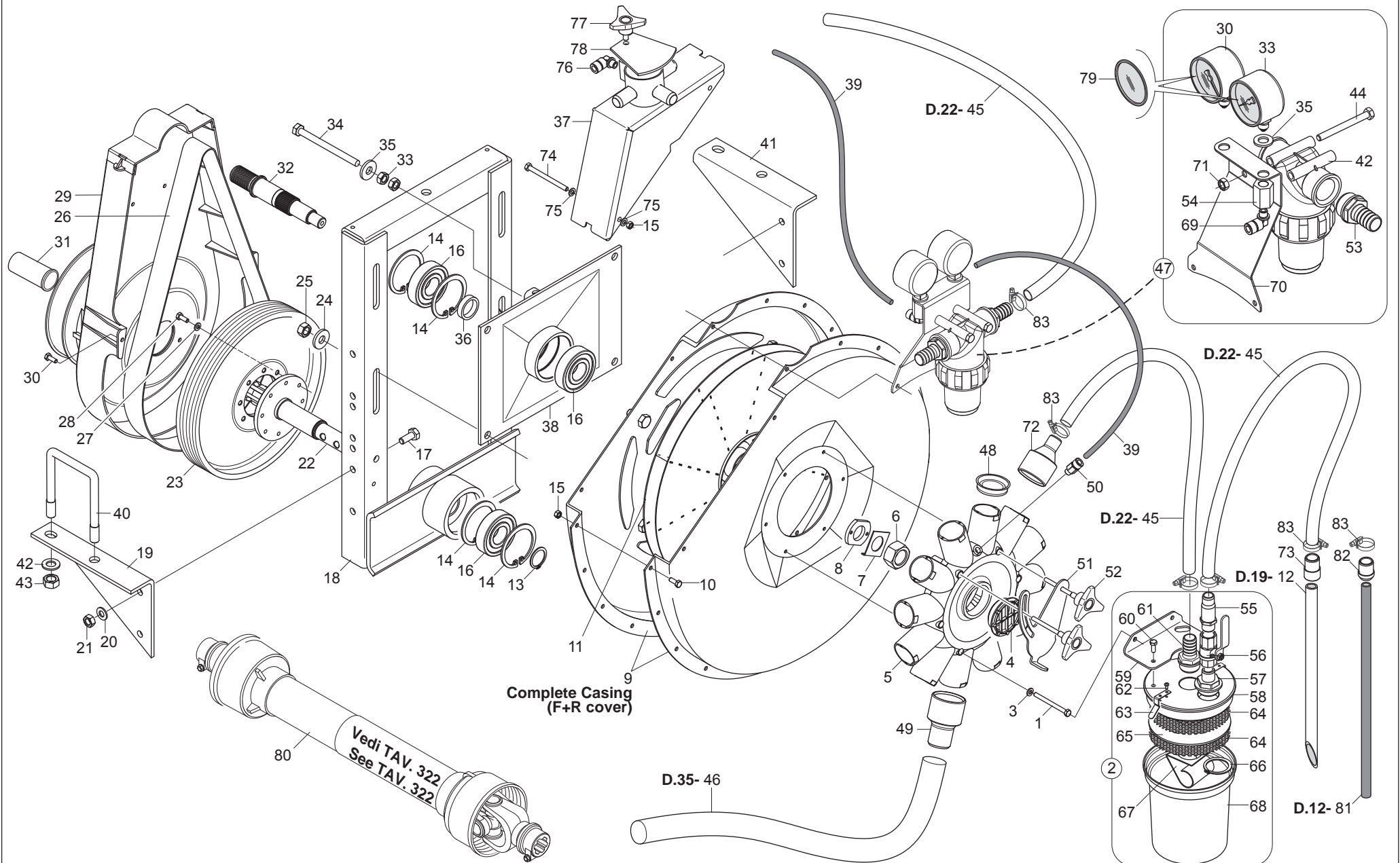
Pos.	Cod.	Descrizione	Description	Description	Benennung	Descrpcion
1	GA5820750	SUPPORTO SPARTIZOLLE LARGO	SOD-BREAKER SUPPORT WIDE			
2	G15821861	SPIANATERRA	SOIL LEVELLER			
3	F01020472	VITE M10X1,5X25 U5739 8.8ZN	SCR. M10X1,5X25 U5739 8.8ZN	VIS M10X1,5X25 U5739 8.8 ZN	SCHRAUBE M10X1,5X25 U5739 8.8	TORNILLO 10X25 U5739 8.8 ZN
4	F01200270	DADO M10X1,5 U5588 6.8ZN	NUT M10X1,5 U5588 6.8ZN	ECROU M10X 1,5 U5588 6.8 ZN	MUTTER M10X 1,5 U5588 6.8 ZN	TUERCA M10X 1,5 U5588 6.8 ZN
5	G15882751	SUPP.RASCHIATERRA IN GOMMA	RUBBER MUD SCRAPER SUPPORT			
6	G15882160	SUPPORTO DX	RIGHT SUPPORT			
7	G15882150	SUPPORTO SX	LEFT SUPPORT			
8	G18904170	MOLLA SPORTELLLO GRANDE	SPRING BIG-DOOR			
9	G15882741	RASCHIATORE IN GOMMA	RUBBER SCRAPER			
10	G15882731	PIASTRA	PLATE			
11	G20980080	BOCCOLA 15X12X10,25	BUSH 15X12X10-25			
12	F01020404	VITE M6X1X20 U5739 8.8ZN	SCREW M6X1X20 U5739 8.8ZN	VIS M6X1X20 U5739 8.8ZN	SCHRAUBE M6X1X20 U5739 8.8ZN	TORNILLO M6X1X20 U5739 8.8ZN
13	F01220011	DADO M6X1 D980 8ZN	NUT M6X1 D980 8ZN	ECROU M6X1 D980 8 ZN	MUTTER M6X1 D980 8 ZN	TUERCA M6X1 D980 8 ZN
14	G15829160	RUOTA 250X170 COMPL.	WHEEL 250X170 COMPL.			
15	F01420060	ROS.M10 10,5X 30X2,5 U6593 ZN	WASHER 10,5X30	RONDELLE 10,5X30	SCHEIBE 10,5X30	ARANDELA 10,5X30
16	G15827960	RUOTA GOMMA 250X170 MOZZO 180	RUBBER WHEEL 250X170 HUB 180			
17	G15827980	ASSE RUOTA 250X170	WHEEL AXLE 250X170	AXE ROUE 250X170	RADACHSE 250X170	EJE RUEDA 250X170
18	G19005081	DISTANZIALE RUOTE INOX R	WHEEL SPACER INOX R			
19	G15829760	MONT.RUOTA INOX D.250X170 FL.	WHEEL INOX D.250X170 FL.			
20	G15829770	ASS.ANELLO INOX D.250X170	RING D.250X170	BAGUE D.250X170	RING D.250X170	ANILLO D.250X170
21	G19005320	FIANCO RUOTA D.250	SIDE WHEEL D.250			
22	F04010131	CUSC.D20 D42 B12 6004-2RSH EX>	BEARING D20 D42 B12 6004-2RSH	ROULEMENT 6004	LAGER 6004	COJINETE 6004
23	G19005600	DISTANZIALE D.20 XD.27 X10,5	SPACER D.20 XD.27 X10.5			
24	F01410064	ROS.M10 10,5X 20X 2 U6592 ZN	WASHER M10 10,5X20X2 U6592 ZN	RONDEL. M10 10,5X20X2 U6592 ZN	SCHEIBE M10 10,5X20X2 U6592 ZN	ARANDEL.M10 10,5X20X2 U6592 ZN
25	G18801680	BOCCOLA 11 X25 X7,5 ZN	BUSHING 11X25X7,5 GALVA	BOITE 11X25X7,5 ZN	BsCHSE 11X25X7,5 ZN	CASQUILLO 11X25X7,5 ZN
26	F01020114	VITE M10X1,5X50 U5737 8.8ZN	SCR. M10X1,5X50 U5737 8.8ZN	VIS M10X 1,5X50 U5737 8.8 ZN	SCHRA.M10X 1,5X50 U5737 8.8 ZN	TORN. M10X 1,5X50 U5737 8.8 ZN
27	G15882470	PIATTO DX SUPP.BASCULANTE	PIVOTING SUPP.RIGHT PLATE			
28	G15882490	PIATTO SX SUPP.BASCULANTE	LEFT PLATE SUPP.SWINGING			
29	F01020043	VITE M6X1X60 U5737 8.8ZN	SCR. M6X1X60 U5737 8.8ZN	VIS M6X1X60 U5737 8.8 ZN	SCHRAUBE M6X1X60 U5737 8.8 ZN	TORNILLO M6X1X60 U5737 8.8 ZN
30	G19004530	VOLANTINO PRESSORE (SEM.ORT.R)	HANDWHEEL	VOLANT	HANDRAD	VOLANTE
31	F01230022	DADO M6X1 D982 8ZN	NUT M6X1 D982 8ZN	ECROU AUTO-FREIN.M6X1 D982 8ZN	SICHERUNGSMUT. M6X1 D982 8 ZN	TUERCA DE SEGU.M6X1 D982 8 ZN
32	G15882480	SUPP.BASCULANTE	PIVOT SUPP.			
33	G66248100	RULLO TEND. SP	TIGHTENER ROLLER SP	ROULEAU TENDEUR SP	SPANNERROLLE SP	RODILLO TENSOR SP
34	G19004560	BOCCOLA MOLLA PRESSORE	SPRING BUSHING	RESSORT	FEDER	CASQUILLO MUELLE
35	G18903670	MOLLA COMPRESSIONE RUOTINO	COMPR. WHEEL SPRING	RESSORT COMPRESSION ROUET	FEDER DsNGUNG ROLLE	MUELLE COMPRESIN RUEDECILLA A
36	F02200363	COPIGLIA R 3X 62 ZN	SPRING SPLIT PIN 3X 62 ZN	GOUPIILLE R 3X62	SPLINT R 3X62	CHAVETAR 3X62
37	G15829620	PRESSORE	FEELER PIN			
38	F01410088	ROS.M14 15X 28X2,5 U6592 ZN	WAS.M14 15X 28X2,5 U6592 ZB	RON.M14 15X 28X2,5 U6592 ZB	SCH.M14 15X 28X2,5 U6592 ZB	ARA.M14 15X 28X2,5 U6592 ZB
39	F01240012	DADO M6X1 U5448 5.8ZN	NUT M6X1 U5448 5.8ZN	ECROU 6 UNI 5448 5.8 ZN	MUTTER 6 UNI 5448 5.8 ZN	TUERCA 6 UNI 5448 5.8 ZN
40	G15829610	BRACCIO PREMISEME	ARM SEEDPRESS			
41	F02200194	COPIGLIA 4X 25 U1336 ZN	SPLIT PIN 4 X25 1336 GALVAN.	GOUPIILLE 4 X25 1336 ZN	SPLINT 4 X25 1336 ZN	PASADOR 4 X25 1336 ZN
42	G19005300	DISTANZIALE 15X22X4,5	SPACER 15X22X4,5			
43	F01060016	VITE M6X1X30 U5731 8.8ZN	SCR. M6X1X30 U5732 4.6ZN	VIS 6X30 5732 4.6 ZN	SCHRAUBE 6X30 5732 4.6 ZN	TORNILLO 6X30 5732 4.6 ZN
44	G18802980	BOCCOLA 15 X22 X7	BUSHING 15 X22 X7	BOITE 15 X22 X7	BsCHSE 15 X22 X7	CASQUILLO 15 X22 X7
45	F06120066	RUOTINO FLEX 170 X 30	WHEEL FLEX 170X 30			
46	GA5820270	RUOTA INOX D.168X23 COMPL	WHEEL INOX D.168X23 COMPL			
47	GA5820280	ANELLO INOX 168X23	STAINLESS RING 168X23			
48	G19005331	FIANCO RUOTA D.168	SIDE WHEEL D.168			
49	F04010125	CUSC.D15 D32 B9 6002 2RS1	BEARING D15 D32 B9 6002 2RS1	PALIER 6002 2RS1	LAGER 6002 2RS1	COJINETE 6002 2RS1
50	F01030041	VITE M6X1X10 U5933 10.9ZD	SCREW M6X1X10 U5933 10.9ZD	VIS M6X1X10 U5933 10.9ZD	SCHRAU. M6X1X10 U5933 10.9ZD	TORNILLO M6X1X10 U5933 10.9ZD
51	G19004961	DISTANZIALE 15X22X10	SPACER 15X22X10			
52	G15827610	PROLUNGA BILANCIERE	EXTENSION ROCKER			
53	F01030084	VITE M10X1,5X25 U5933 10.9ZD	SCREW M10X1,5X25 U5933 10.9ZD	VIS M10X1,5X25 U5933 10.9ZD	SCHRA.M10X1,5X25 U5933 10.9ZD	TORN. M10X1,5X25 U5933 10.9ZD
54	G15828440	RASCHIATERRA RUOTINI FS	WHEEL SOIL-SCRAPER FS	RACLEUR ROUE FS	ERDSCHABER FS	RASCADOR RUEDA FS
55	G15829691	SUPPORTO SPARTIZOLLE	SOD-BREAKER SUPPORT			



# DEPRESSORE

TAV. 063

Pos.	Cod.	Descrizione	Description	Description	Benennung	Descripcion
1	F01020047	VITE M6X1X70 U5737 8.8ZN	SCR. M6X1X70 U5737 8.8ZN	VIS 6 X70 5737 8.G ZN	SCHRAUBE 6 X70 5737 8.G ZN	TORNILLO 6 X70 5737 8.G ZN
2	G15855361	ASPIRASEME COMPL	SEED SUCTION GROUP	GROUPE ASPIRATEUR DE GRAINES	GEBL-SEAGGREGAT	GRUPO ASPIRASEMILLAS
3	F01430047	ROS.M6 6,4X 11X0,7 U8842J ZN	WASHER D6 DIN 6798 D.INT.GALV.	RONDELLE D6 DIN 6798 D. INT. Z	UNT. SCHEIBE D6 DIN 6798 D. IN	ARANDELA D6 DIN 6798 D.INT.ZN
4	G19005240	TAPPO ASPIRAZIONE FORATO	FLANGE	BRIDE	FLANSH	BRIDA
5	G19004480	CONVOGLIATORE 12 USCITE	CONVEYOR 12 OUTLETS	CONVOYEUR 12 SORTIES	TRICHTER MIT 12 AUSG-NGEN	TRANSPORTADOR 12 SALIDAS
6	F01230143	DADO M24X2 D982 8ZN	NUT M24X2 D982 8ZN	ECROU M24X2 D982 8 ZN	MUTTER M24X2 D982 8 ZN	TUERCA M24X2 D982 8 ZN
7	G13912060	PIASTRINA DI TENUTA	STOP PLATE	PLAQUETTE DE TENUE	DICHTPLZTTCHEN	PLACA DE RETENCIN P
8	G13912050	RONDELLA DI FERMO	STOP WASHER	RONDELLE DE BLOCAGE	FESTSTELLSCHEIBE	ARANDELLA DE BLOQUEO
9	G22230335	INVOLUCRI DEPRESSORE	VACUUM PUMP CASINGS	ENVELOPPES DEPRESSEUR H	sLLEN VAKUUMPUMPE C	AJAS BOMBA VACO CA
10	F01020403	VITE M6X1X16 U5739 8.8ZN	SCR. M6X1X16 U5739 8.8ZN	VIS M6X1X16 U5739 8.8 ZN	SCHRAUBE M6X1X16 U5739 8.8 ZN	TORNILLO M6X1X16 U5739 8.8 ZN
11	G22230015	GIRANTE	ROTOR			
12	G15855180	PUNTALE ASPIRASEMI	ASPIRAT.SEEDS TIP			
13	F02050112	ANELLO E. DE 30X 1,5 U7435 C70	SEEGER RING 30X 1,5 U7435 C70	SEEGER E. 30 X 1,5 U7435 C70	SEEGERING E. 30X 1,5 U7435 C70	ANILLO E. 30 X 1,5 U7435 C70
14	F02050403	ANELLO E. DI 72X 2,5 U7437 C70	SEEGER RING E.72X2,5 U7437 C70	SEEGER E. 72X 2,5 U7437 C70	SEEGERING E. 72X 2,5 U7437 C70	ANILLO E. 72X 2,5 U7437 C70
15	F01220011	DADO M6X1 D980 8ZN	NUT M6X1 D980 8ZN	ECROU M6X1 D980 8 ZN	MUTTER M6X1 D980 8 ZN	TUERCA M6X1 D980 8 ZN
16	F04010215	CUSC.D30 D72 B19 6306 2RSC3 EX	BEARING D30 D72 B19 6306 2RSC3	PALIER 6306 2RS C3	LAGER 6306 2RS C3	COJINETE 6306 2RS C3
17	F01020472	VITE M10X1,5X25 U5739 8.8ZN	SCR. M10X1,5X25 U5739 8.8ZN	VIS M10X1,5X25 U5739 8.8 ZN	SCHRAUBE M10X1,5X25 U5739 8.8	TORNILLO 10X25 U5739 8.8 ZN
18	G15850200	INCASTELLATURA DEPRESSORE	DIFFUSION AIR PUMP FRAME	B-TI POMPE A D+PRESSION	GESTELL VAKUUMPUMPE	ARMAZEN BOMBA VAC-O
19	G15450061	SUPPORTO SX	LEFT SUPPORT			
20	F01430023	ROS.M10 10,5X 18X0,9 U8842J ZN	WASHER D10 DIN 6798 D.INT.ZN	RONDELLE D10 DIN 6798 D. INT.	UNT. SCHEIBE D10 DIN 6798 D.IN	ARANDELA D10 DIN 6798 D.INT.ZN
21	F01200270	DADO M10X1,5 U5588 6.8ZN	NUT M10X1,5 U5588 6.8ZN	ECROU M10X 1,5 U5588 6.8 ZN	MUTTER M10X 1,5 U5588 6.8 ZN	TUERCA M10X 1,5 U5588 6.8 ZN
22	G22270369	P.DI P.CON CODOLO	POWER TAKE-OFF- W/ SPIGOT	PRISE DE FORCE AVEC CONE	KRAFTABTRIEB MIT ENDSTsCK	TOMA DE FUERZA CON MANGO
23	G22230012	PULEGGIA MOTRICE	DRIVING PULLEY 540	POULIE MOTRICE 540T	ANTRIEBSSCHEIBE 540	POLEA MOTRIZ 540
24	F01420084	ROS.M14 14,5X 36X 3 U6593 ZN	GALVANIZED WASHER 14 X36 X3	RONDELLE 14 X36 X3 ZN	UNTERLEGSscheibe 14 X36 X3 ZN	ARANDELA 14 X36 X3 ZN
25	F01200293	DADO M12X1,75 U5588 6.8ZN	NUT M12X1,75 U5588 6.8ZN	ECROU M12X1,75 U5588 6.8 ZN	MUTTER M12X1,75 U5588 6.8 ZN	TUERCA M12X1,75 U5588 6.8 ZN
26	F06010160	CINGHIA POLY V 1287 J-16 GOLE	BELT POLY V 1287 J-16 CU GAT	COURROIE POLY V 1287 J-16 GOR		BANDA POLY V 1287 J-16 GOLE
27	F01430047	ROS.M6 6,4X 11X0,7 U8842J ZN	WASHER D6 DIN 6798 D.INT.GALV.	RONDELLE D6 DIN 6798 D. INT. Z	UNT. SCHEIBE D6 DIN 6798 D. IN	ARANDELA D6 DIN 6798 D.INT.ZN
28	F01020403	VITE M6X1X16 U5739 8.8ZN	SCR. M6X1X16 U5739 8.8ZN	VIS M6X1X16 U5739 8.8 ZN	SCHRAUBE M6X1X16 U5739 8.8 ZN	TORNILLO M6X1X16 U5739 8.8 ZN
29	G15450342	PROTEZ.CINGHIA DEPRES.COMPLETO	DEPRES. COMPL.PROTECTION BELT			
30	F03151288	VACUOM.0-100 MBAR C.SM.INC.D80	VACUUM METER 0-100 MBAR C.SMOR	VACUOMETRE 0-100 MBARS A/SUPPO	VAKUUMMETER 0-100 MBAR M. DZMP	VACUM. 0-100 MBAR C.ATEN.INC.V
31	G19002131	PROTEZIONE P.D.P.	PDP GUARD			
32	G15450390	PULEGGIA CONDOTTA	DRIVEN PULLEY D.28	POULIE ENTRAINEE D. 28	GETRIEBENE SCHEIBE D.28	POLEA CONDUCIDA D.28
33	F03151287	MANOM.0 A 25 MBAR C.SM.INC.D80	MANOM.0 TO 25 MBAR CUSHION D80			
34	G15450270	VITE 10X130 8.8 FIL.60 ZN	GALVANIZ. BOLT 10X130 8.8 FIL	VIS 10X130 8.8 FIL.60 ZN	SCHRAUBE 10X130 8.8 GEW.60 ZN	TORNILLO 10X130 8.8 FIL.60 ZN
35	F05150479	ROND.APPOGGIO MANOMETRI SV	PRESSURE GAUGE REST WASHER	ROND. LOGEMENT MANOMETRES SV	StsTZSCHEIBE MANOMETER SV	ARAND. SOPORTE MANOMETROS SV
36	G22230014	DISTANZIALE	SPACER	ENTRETOISE	DISTANZSTsCK	DISTANCIADOR
37	G15850140	CONVOGLIATORE	SEED FUNNEL	CONVOYEUR	TRICHTER	TRANSPORTADOR
38	G15850280	SUPPORTO PULEGGIA CONDOTTA	PULLEY SUPPORT			
39	F13070005	TUBO POLIURETANO 8-6 NERO	POLIURETHAN PIPE 8-6 BLACK			
40	F20110770	CAV.Q.B=80 M=14X2 L=119	U BOLT Q.B=80 M=14X2 L=119	BRIDE U M14X2X50 96X119 ZN	ANSCHLANG U M14X2X50 96X119 ZN	EL.DE EMPALME M14X2X50 96X119
41	G15450051	SUPPORTO DX	RIGHT SUPPORT			
42	F03151149	FILTRO LINEA 1'F 100 MESH	LINE FILTER 1'F 100 MESH	FILTRE LIGNE 1'F 100 MESH	LEITUNGSFILTER 1' F 100 MESH	FILTRO LINEA 1'F 100 MESH
43	F01200306	DADO M14X2 U5588 6.8ZN	NUT M14X2 U5588 6.8ZN	ECROU M14X2	MUTTER M14X2	DADO M14X2
44	F01020086	VITE M8X1,25X80 U5737 8.8ZN	SCR. M8X1,25X80 U5737 8.8ZN	VIS M8X1X80	SCHRAUBE M8X1X80	TORNILLO M8X1X80
45	F03100385	TUBO FLEX EOLO DIAM.22	EOLO FLEX TUBE DIAM.22			
46	F03100500	TUBO EOLO 35 PU	TUBE EOLO 35 PU	TUBE EOLO 35 PU		TUBO EOLO
47	G15855371	FILTRO E MANOMETRI COMPL	FILTER AND PRESSURE GAUGE UNIT			
48	F05050020	TAPPO SALVAFILETTO D.39	CONVEYOR PLUG D.39	BOUCHON PROTEGE-FILET D. 39	GEWINDESCHUTZPFROPFEN D.39	TAPN GUARDARROSCA D.39 D
49	G19005250	RIDUZIONE CONVOGLIATORE 45-35	CONVEYOR REDUCTION 45-35	REDUCTION DE CONVOYEUR 45-35	FTRDERERUNTERSSETZUNG 45-35	REDUCCIN DE CONDUCTOR 45-35
50	F13010028	RACC.SUPERAPIDO DRITTO 1/8G-8	SUPERAP.RIGHT JUNCTION 1/8G-8			
51	G15855330	PORTELLO REGOLAZ.ASPIRAZIONE	ASPIRATION ADJUSTMENT FLAP	PORTE REGLAGE ASPIRATION	EINSTELLUNGSDECKEL GEBL-SE	REGISTRO REGULADOR DE ASPIRACI
52	F06220030	VOLANTINO A LOBI VTP/40 M6X70	LOBE HANDWHEEL VTP/40 M6X70			
53	F03151183	P/GOMMA 1"X22 M COD.2130	HOSE 1"X22 M	RACCORD PLASTIQUE 1"X22 M	P/GUMMI 1"X22 M	P/CAUCHO 1"X22 M
54	G22250274	COLLEGAMENTO MANOMETRI SP-SV	PRESSURE GAUGE CONNECT. SP-SV	RACCORD MANOMETRES SP-SV	VERBINDUNG MANOMETER SP-SV	CONEXIN MANMETROS SP-SV LE
55	F03151185	P/GOMMA PVC 1/2X20 >	PVC 1/2X20 RUBBER/TIRE-CARRIER	PORTE-ROUE PVC 1/2X20	REIFENHALTERUNG PVC 1/2X20	CARGA GOMA PVC 1/2X20

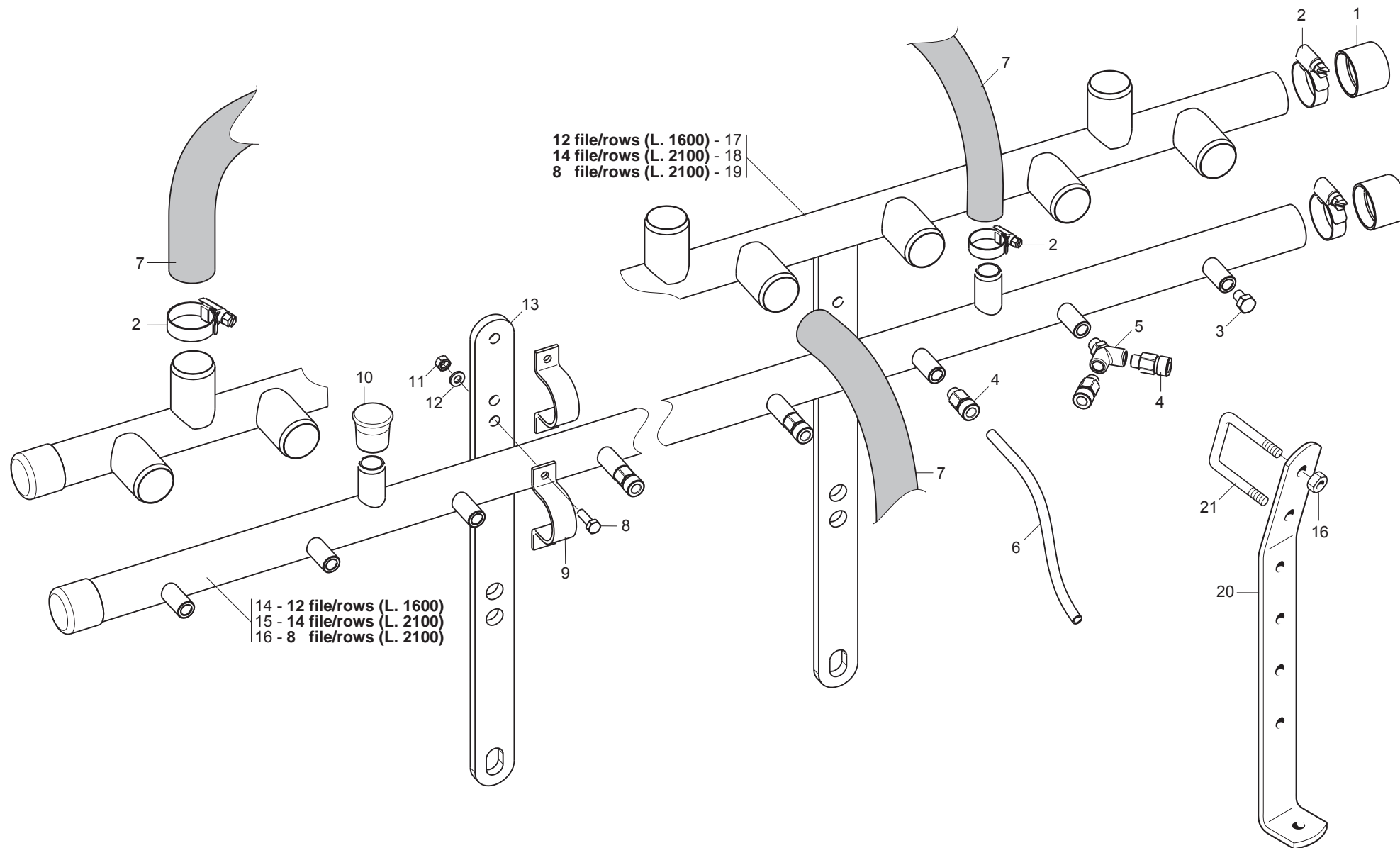


# DEPRESSORE

TAV. 063

Pos.	Cod.	Descrizione	Description	Description	Benennung	Descripcion
56	F03151243	RUBINETTO	BREATHER TAP	BOUCHON REFOUL.	ENTLsFTUNGSPFROPFEN	TAPON PURGADOR
57	G15850300	RIDUZIONE G1'-G1/2'	REDUCTION G1'-G1/2'	REDUCTION G1'-G1/2'	UNTERSETZUNG G1'-G1/2'	REDUCCIN G1'-G1/2'
58	G10551031	COPERCHIO ASPIRASEMI	SUCTION SEED COVER			
59	G15855350	SUPPORTO ASPIRASEME	SEED SUCTION SUPPORT	SUPPORT ASPIRATEUR DE GRAINES	GEBL-SEHALTERUNG	SOPORTRE ASPIRA SEMILLAS
60	F01020403	VITE M6X1X16 U5739 8.8ZN	SCR. M6X1X16 U5739 8.8ZN	VIS M6X1X16 U5739 8.8 ZN	SCHRAUBE M6X1X16 U5739 8.8 ZN	TORNILLO M6X1X16 U5739 8.8 ZN
61	F03151183	P/GOMMA 1"X22 M COD.2130	HOSE 1"X22 M	RACCORD PLASTIQUE 1"X22 M	P/GUMMI 1"X22 M	P/CAUCHO 1"X22 M
62	F01070047	VITE A3,5X1,34X9,5 U6954 4.8NI	SCR. H3,5X1,34X9,5 U6954 4.8NI	VIS 3-5X 9-5 DIN 7981	SCHRAUBE 3-5X 9-5 DIN 7981	TORNILLO 3-5X 9-5 DIN 7981
63	G18904440	STAFFA FISSAGGIO BRACCI ZN	FIXING BRACKET ARMS			
64	G22250314	GRIGLIA FILTRO ASPIRASEMI SV	SEED SUCTION FILTER GRID SV	GRILLE FILTRE ASPIRATEUR DE GR	GITTER SAMENABSAUGERFILTER SV	REJILLA FILTRO ASPIRADOR DE SE
65	G22250315	FILTRO ASPIRASEMI SV	SEED SUCTION FILTER SV	FILTRE ASPIRATEUR DE GRAINES S	SAMENABSAUGERFILTER SV	FILTRO ASPIRADOR DE SEMILLAS S
66	F02050168	ANELLO E. DE 40X1,75 U7435 C70	SEEGER RING 40X1,75 U7435 C70	BAGUE SEEGER 40X1,75 U7435 C70	SEEGERRING 40X1,75 U7435 C70	ANIL. SEEGER 40X1,75 U7435 C70
67	G22250316	DEFLETTORE ASPIRASEMI SV	SEED SUCTION DEFLECTOR SV	DEFLECTEUR ASPIR. DE GRAINES SV	ABLENKER SAMENABSAUGER SV	DEFLECTOR ASPIRADOR DE SEMILLA
68	F05150389	CONTENIT.SOTTOVUOT.LT.2 AR.122	VACUUM CONTAINER LT.2 AR.122	CONTENEUR SOUS VIDE LT. 2 AR.	LUFTDICHTER BEHZLTER .L2 AR.	CONTENED. AL VACO LT. 2 AR.12C
69	F03150821	ADATT. OCCHIO 1/4 L.38	EYE UNION 1/4 L.38	RACCORD OEIL 1/4 L.38	TSENVERBINDUNGSSTsCK 1/4 L.38	UNIN OJO 1/4 L.38 R
70	G15855341	SUPP.FILTRO E MANOMETRI	FILTER AND PRESSURE GAUGE SUPP			
71	F01200244	DADO M8X1,25 U5588 6.8ZN	NUT M8X1,25 U5588 6.8ZN	ECROU M8 X1,25 U5588 6.8 ZN	MUTTER M8 X1,25 U5588 6.8 ZN	TUERCA M8 X1,25 U5588 6.8 ZN
72	G19005260	RIDUZIONE CONVOGLIATORE 45-22	CONVEYOR REDUCTION 45-22	REDUCTION DE CONVOYEUR 45-22	FTRDERERUNTERSETZUNG 45-22	REDUCCIN DE CONDUCTOR 45-22
73	G19005270	RIDUZIONE CONVOGLIATORE 22-19	CONVEYOR REDUCTION 22-19	REDUCTION DE CONVOYEUR 22-19	FTRDERERUNTERSETZUNG 22-19	REDUCCIN DE CONDUCTOR 22-19
74	F01020050	VITE M6X1X80 U5737 8.8ZN	SCR. M6X1X80 U5737 8.8ZN	VIS 6 X80 5737 8.G ZN	SCHRAUBE 6 X80 5737 8.G ZN	TORNILLO 6 X80 5737 8.G ZN
75	F01420036	ROS.M6 6,4X 18X1,5 U6593 ZN	WASHER M6 6,4X 18X1,5 U6593 ZN	RONDELLE M6 6,4X18X1,5 U6593ZN	SCHEIBEN M6 6,4X18X1,5U6593 ZN	ARANDELA M6 6,4X18X1,5U6593ZN
76	F03151200	RACCORDO 90° C5 1/8" 6/8	UNION 90° C5 1/8" 6/8	RACCORD 90° C5 1/8" 6/8	ANSCHLUSSTsCK 90° C5 1/8" 6/8	UNION 90° C5 1/8" 6/8
77	F06220018	VOLANTINO 3LOBI D.65-M8X15	3-LOBE HANDWHEEL D.65-M8X15			
78	G22250118	PORTA CHIUSURA CAMERE SV	CHAMBER CLOSURE INSPECTION DOO	PORTE FERMETURE CHAMBRES SV	KAMMERN ABSCHLUSSTsR SV	PUERTA DE CIERRE CAMARAS SV
79	F03151356	VETRO VACUOM.0-100 MBAR D80	VACUOM. GLASS 0-100 MBAR D80			
80	F08011711	CARD.B1 Z6-Z6 L700	PTO SHAFT B1 Z6-Z6 L700			
81	F13070003	TUBO RILSAN 12X9 NERO	RILSAN TUBE 12X9 BLACK			
82	G19007550	RIDUZIONE CONVOGLIATORE 22-12	CONVEYOR REDUCTION 22-12			
83	F02300017	FASCETTA STRING. 20/32 H.9	CLAMP 20/32 H.9	GAINÉ 20/32 H.9	KLEMME 20/32 H.9	ABRAZADERA 20/32 H.9

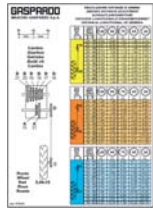




# IMPIANTO ASPIRAZIONE E SOFFIAGGIO

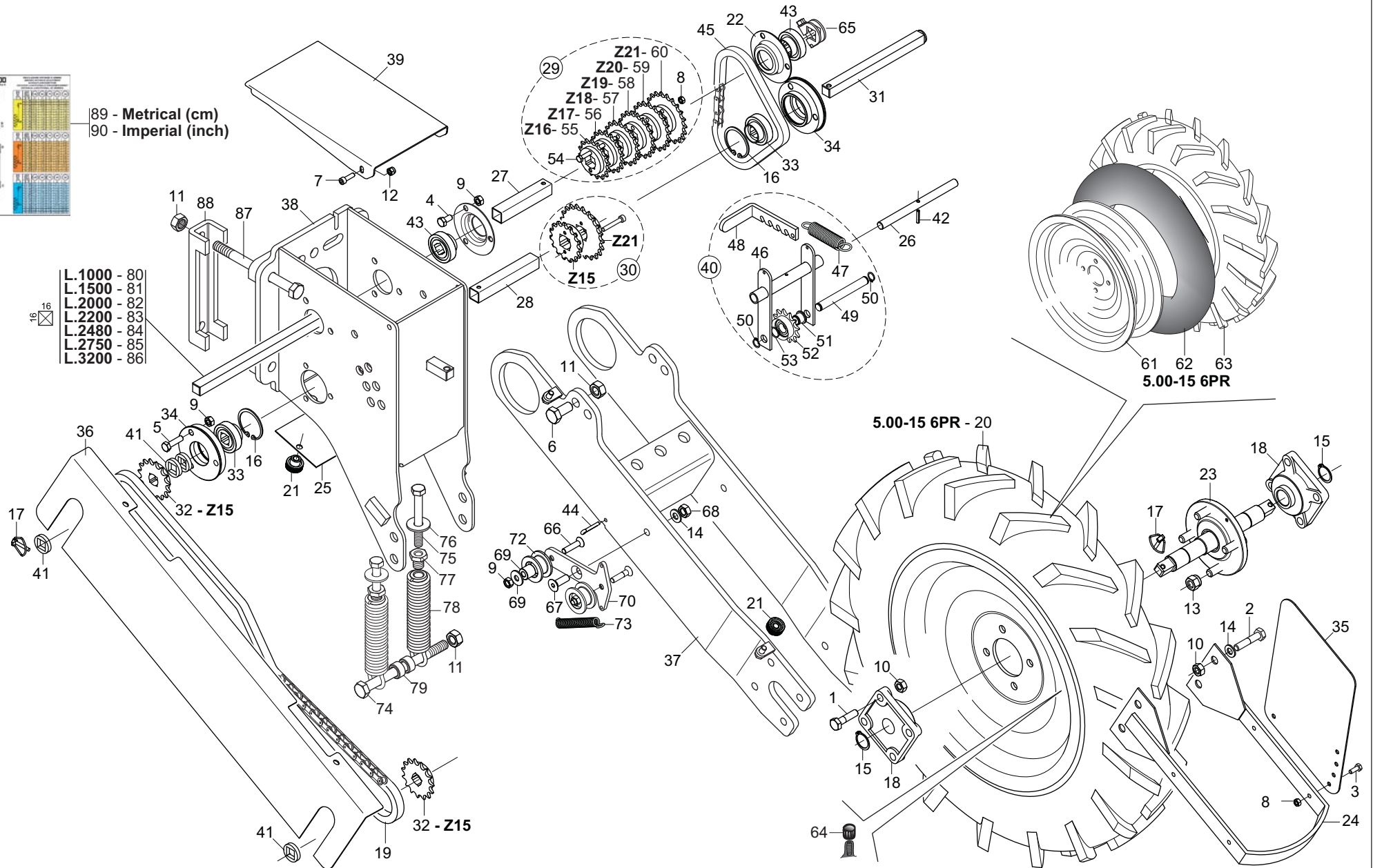
TAV. 071

Pos.	Cod.	Descrizione	Description	Description	Benennung	Description
1	G66248098	TAPPO CONVOGLIATORE DEPR. SP	AIR PUMP CONVEYOR PLUG SP	BOUCHON CONVOYEUR TURBINE SP	VAKUUM FTRDERPFROPFEN SP	TAPN CONDUCTOR DEPR. SP D
2	F02300020	FASCETTA STRING. 32/50 H.9	HOSE CLAMP 32/50 H.9			
3	F05150473	PUNTALE PVC D.20	PVC TIP D.20	EMBOUT PVC D. 20	STTSSELSCHAFT PVC D.20	PUNTAL PVC D.20
4	F13010028	RACC.SUPERAPIDO DRITTO 1/8G-8	SUPERAP.RIGHT JUNCTION 1/8G-8			
5	F03151225	RACCORDO Y 1/8G F-F-M	UNION Y 1/8G F-F-M	RACCORD Y 1/8G F-F-M	ANSCHLUSSTsCK Y 1/8G F-F-M	UNIN Y 1/8G F-F-M
6	F13070005	TUBO POLIURETANO 8-6 NERO	POLIURETHAN PIPE 8-6 BLACK			
7	F03100500	TUBO EOLO 35 PU	TUBE EOLO 35 PU	TUBE EOLO 35 PU		TUBO EOLO
8	F01020404	VITE M6X1X20 U5739 8.8ZN	SCREW M6X1X20 U5739 8.8ZN	VIS M6X1X20 U5739 8.8ZN	SCHRAUBE M6X1X20 U5739 8.8ZN	TORNILLO M6X1X20 U5739 8.8ZN
9	G22250091	FORCELLA SUPP.TUBI SV	FORK	FOURCHETTE SUPPORT TUBES SV	GABEL ROHRHALTERUNG SV	HORQUILLA SOPORTE TUBOS SV
10	F05150473	PUNTALE PVC D.20	PVC TIP D.20	EMBOUT PVC D. 20	STTSSELSCHAFT PVC D.20	PUNTAL PVC D.20
11	F01200232	DADO M6X1 U5588 6.8ZN	NUT M6X1 U5588 6.8ZN	ECROU 6 UNI 5588 6.8 ZN	MUTTER 6 UNI 5588 6.8 ZN	TUERCA 6 UNI 5588 6.8 ZN
12	F01410037	ROS.M6 6,4X12,5X1,6 U6592 ZN	WASHER M6 6,4X12,5X1,6 U6592ZN	RONDEL.M6 6,4X12,5X1,6 U6592ZN	SCHEIB.M6 6,4X12,5X1,6 U6592ZN	ARAND.M6 6,4X12,5X1,6 U6592 ZN
13	G15855170	SUPPORTO RAMPASOFFIAGGIO	BLOWER RAMP SUPPORT	SUPPORT RAMPE SOUFFLAGE	GEBL-SERAMPENHALTERUNG	SOPORTE RAMPADA SOPLO
14	G15855150	RAMPASOFFIAGGIO 1600X12	1600X12 BLOW RAMP COUPLING	ASS. RAMPE SOUFFLAGE 1600X12	GEBL-SERAMPENKOMPLEX 1600X12	CONJ. RAMPADA SOPLO 1600X12
15	G15855240	RAMPASOFFIAGGIO 2100X14	2100X14 BLOW RAMP COUPLING	ASS. RAMPE SOUFFLAGE 2100X14	GEBL-SERAMPENKOMPLEX 2100X14	CONJ. RAMPADA SOPLO 2100X14
16	F01200270	DADO M10X1,5 U5588 6.8ZN	NUT M10X1,5 U5588 6.8ZN	ECROU M10X 1,5 U5588 6.8 ZN	MUTTER M10X 1,5 U5588 6.8 ZN	TUERCA M10X 1,5 U5588 6.8 ZN
17	G15855140	RAMPASASPIRAZIONE 1600X12	1600X12 BLOW RAMP COUPLING	ASS. RAMPE ASPIRATION 1600X12	GEBL-SERAMPENKOMPLEX 1600X12	CONJ. RAMPADA ASPIRACIEN 160
18	G15855230	RAMPASASPIRAZIONE 2100X14	2100X14 BLOW RAMP COUPLING	ASS. RAMPE ASPIRATION 2100X14	GEBL-SERAMPENKOMPLEX 2100X14	CONJ.. RAMPADA ASPIRACIEN 210
19	G15855270	RAMPASASPIRAZIONE 2100X8	2100X8 BLOW RAMP COUPLING	ASS. RAMPE ASPIRATION 2100X8	GEBL-SERAMPENKOMPLEX 2100X8	CONJ. RAMPADA ASPIRACIEN 210
20	G15850000	SUPP.TUBI ASP. E SOFF.	PIPE SUPPORT	SUPPORT TUBES	ROHRHALTERUNG	SOPORTE TUBOS
21	F20110706	CAV.Q.B=35 M=10X1,5 L=60	U BOLT Q.B=35 M=10X1,5 L=60	CAVALIER SUPPORT DISQUE SV	VERBINDUNG SCHEIBENHALTERUNG S	PERNO EN U SOP. DISCO SV



89 - Metrical (cm)  
90 - Imperial (inch)

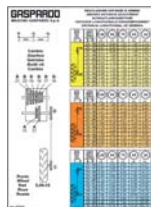
- L.1000 - 80
- L.1500 - 81
- L.2000 - 82
- L.2200 - 83
- L.2480 - 84
- L.2750 - 85
- L.3200 - 86



# RUOTA DI TRASMISSIONE

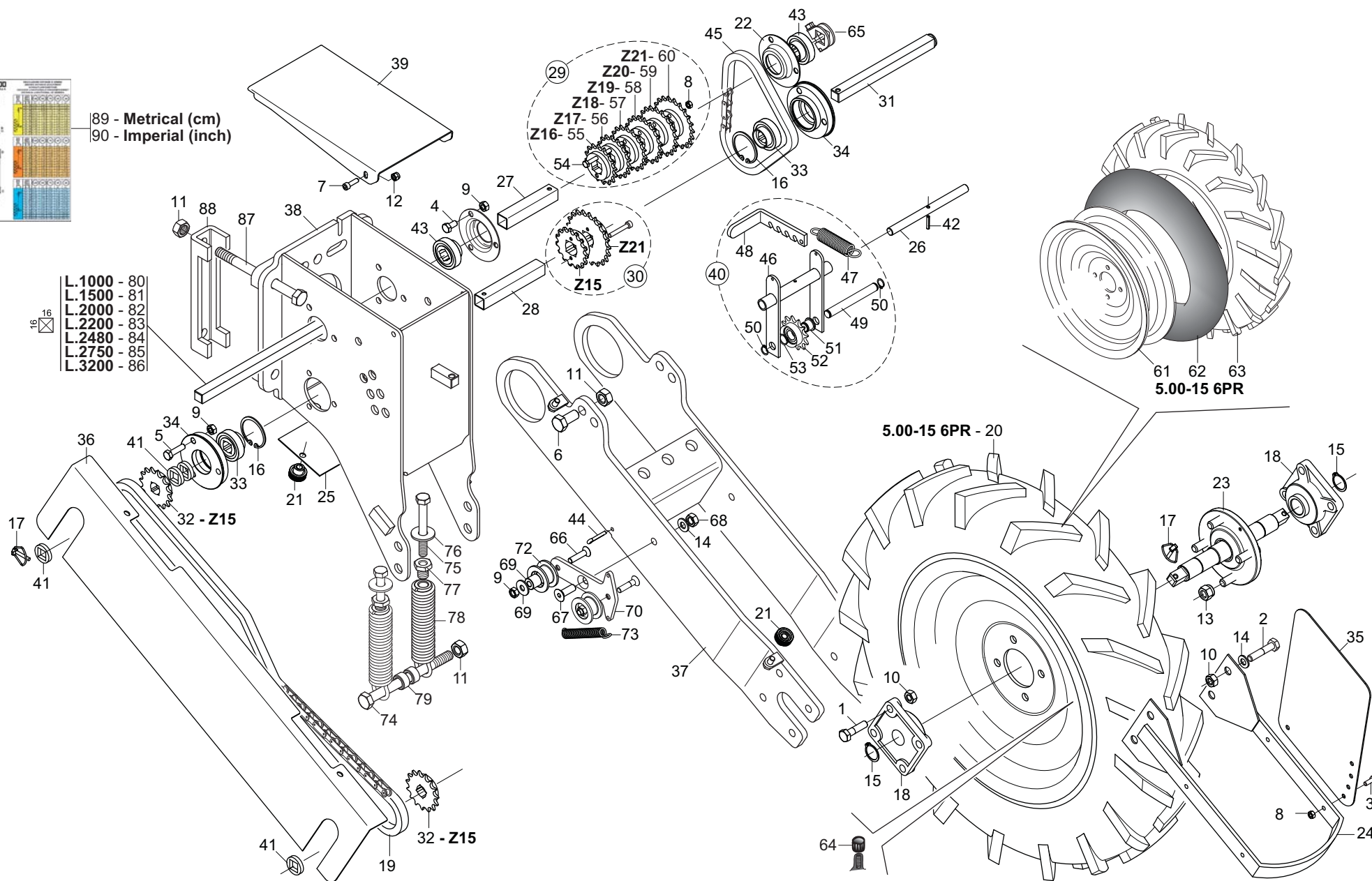
TAV. 082

Pos.	Cod.	Descrizione	Description	Description	Benennung	Descripcion
1	F01020110	VITE M10X1,5X40 U5737 8.8ZN	SCR. M10X1,5X40 U5737 8.8ZN	VIS M 10X40	SCHRAUBE M 10X40	TORNILLO M 10X40
2	F01020112	VITE M10X1,5X45 U5737 8.8ZN	SCR. M10X1,5X45 U5737 8.8ZN	VIS M 10X45	SCHRAUBE M 10X45	TORNILLO M 10X45
3	F01020403	VITE M6X1X16 U5739 8.8ZN	SCR. M6X1X16 U5739 8.8ZN	VIS M6X1X16 U5739 8.8 ZN	SCHRAUBE M6X1X16 U5739 8.8 ZN	TORNILLO M6X1X16 U5739 8.8 ZN
4	F01020432	VITE M8X1,25X16 U5739 8.8ZN	SCR. M8X1,25X16 U5739 8.8ZN	VIS M8 X1,25X16 U5739 8.8 ZN	SCHRAUBE M8X1,25X16U5739 8.8ZN	TORNILLO M8X1,25X16U5739 8.8ZN
5	F01020445	VITE M8X1,25X30 U5739 8.8ZN	SCR. M8X1,25X30 U5739 8.8ZN	VIS M 8X1,25X30 U5739 8.8 ZN	SCHRAU, M8X1,25X30 U5739 8.8ZN	TORN. M8X1,25X30 U5739 8.8 ZN
6	F01020540	VITE M14X2X30 U5739 8.8ZN	SCR. M14X2X30 U5739 8.8ZN	VIS M14X2X30 U5739 8.8ZN	SCHRAUBE M14X2X30 U5739 8.8ZN	TORNILLO M14X2X30 U5739 8.8ZN
7	F01040063	VITE M6X1X20 U5931 8.8ZN	SCR. M6X1X20 U5931 8.8ZN	VIS M 6	SCHRAUBE M 6	TORNILLO M 6
8	F01200232	DADO M6X1 U5588 6.8ZN	NUT M6X1 U5588 6.8ZN	ECROU 6 UNI 5588 6.8 ZN	MUTTER 6 UNI 5588 6.8 ZN	TUERCA 6 UNI 5588 6.8 ZN
9	F01200244	DADO M8X1,25 U5588 6.8ZN	NUT M8X1,25 U5588 6.8ZN	ECROU M8 X1,25 U5588 6.8 ZN	MUTTER M8 X1,25 U5588 6.8 ZN	TUERCA M8 X1,25 U5588 6.8 ZN
10	F01200270	DADO M10X1,5 U5588 6.8ZN	NUT M10X1,5 U5588 6.8ZN	ECROU M10X 1,5 U5588 6.8 ZN	MUTTER M10X 1,5 U5588 6.8 ZN	TUERCA M10X 1,5 U5588 6.8 ZN
11	F01200306	DADO M14X2 U5588 6.8ZN	NUT M14X2 U5588 6.8ZN	ECROU M14X2	MUTTER M14X2	DADO M14X2
12	F01230022	DADO M6X1 D982 8ZN	NUT M6X1 D982 8ZN	ECROU AUTO-FREIN.M6X1 D982 8ZN	SICHERUNGSMUT. M6X1 D982 8 ZN	TUERCA DE SEGU.M6X1 D982 8 ZN
13	F01250040	DADO COLON. 12X1.5 ZN	COLUMN NUT M12X1.5 STUD BOLT	ECROU M12X1. 5 COLONNE	SCHRAUBBOLZENMUTTER M12X1.5	TUERCA 12X1.5 COLUMNA
14	F01410064	ROS.M10 10,5X 20X 2 U6592 ZN	WASHM M10 10,5X20X2 U6592 ZN	RONDEL. M10 10,5X20X2 U6592 ZN	SCHHEIBE M10 10,5X20X2 U6592 ZN	ARANDEL.M10 10,5X20X2 U6592 ZN
15	F02050101	ANELLO E. DE 25X 1,2 U7435 C70	SEEGER RING E. 25X1,2 7435 C70	SEEGER E. 25X 1,2 U7435 C70	SEEGERING E. 25X 1,2 U7435 C70	ANILLO E. 25X 1,2 U7435 C70
16	F02050370	ANELLO E. DI 47X1,75 U7437 C70	SEEGER RING 47X 1,75 U7437 C70	SEEGER E. 47X 1,75 U7437 C70	SEEGERING E. 47X1,75 U7437 C70	ANILLO E. 47X 1,75 U7437 C70
17	F02200452	SPINA SCATTO D.4.4 B/80 ZN	SNAP PIN D4.4 B/80 ZN	FICHE A DETENTE D4.4 B/80 ZN	EINRASTSTIFT D4.4 B/80 ZN	CLAVIJA DE MUELLE D4,4 B/80 ZN
18	F04100137	SUPPORTO FY 25 TF	SUPPORT FY 25 TF			
19	F06080111	CATENA 1/2 ISO 084 113 MAGLIE	CHAIN 1/2 ISO 084 113			
20	F06120113	RUOTA COMPL.5.00-15 6PR DX	COMPL. WHEEL 5.00-15 6PR RH.	ROUE COMPL. 5.00-15 6PR DRT.	RAD KOMPL.5.00-15 6PR RE	RUEDA COMPL.5.00-15 6PR DER.
21	F06220037	VOLANTINO ZIGR.D.26-M8 FEM	KNURLED HANDWHEEL D.26-M8			FOLLETO ZIGR.D.26-M8
22	G22230094	SUPPORTO CUSCINETTO	BEARING SUPPORT	SUPPORT PALIER	LAGERBsCHSE	SOPORTE COJINETE
23	G22270280	ASSE RUOTA TRASM.NORMALE SP/S	NORMAL DRIVE WHEEL AXLE	AXE ROUE ENTRAINEMENT 5.00-15	RADACHSE NORMALER ANTRIEB SP/S	EJE RUEDA TRANS. NORMAL SP/S
24	G10530101	ASS.RASCHIATERRA	SOIL SCRAPER ASSEMBLY	GR. RACLEUR	ERDSCHABER	CONJ. RASC. TIERRA
25	G22250035	PORTA DI CHIUSURA SV	CLOSURE DOOR SV	PORTE DE FERMETURE SV	ABSCHLUSSStSR SV	PUERTA DE CIERRE SV
26	G22250040	SPINA TENDICATENA SV	CHAIN TIGHTENER PIN SV	BROCHE TENDEUR DE CHAINE SV	KETTENSANNERSTIFT SV	CLAVIJA TENSOR DE CADENA SV
27	G10530361	TUBO Q. 20X1,2X 107 1F6,5	SQUARE PIPE 20X1,2X 110			
28	G22250053	DISTANZIALE INFERIORE SV	LOWER SPACER SV	ENTRETOISE INF. SV	UNTERES DISTANZSTsCK SV	DISTAN. INFERIOR SV
29	G22250049	GEARBOX SV	GEARBOX SV	ENSEMBLE BOITE DE VITESSE	GETRIEBEBLOCK SV	BLOQUE CAMBIO SV
30	G22250051	BLOCCO INGRANAGGI Z-15/21 SV	GEAR WHEEL BLOCK Z-15/21 SV	ENSEMBLE ENGRENAGES Z-15/21 SV	ZAHNRZDERBLOCK Z-15/21 SV	BLOQUE ENGRANAJES Z-15/21 SV
31	G22250037	ASSE INF.CAMBIO SV	LOWER GEARBOX SPINDLE SV	AXE INF. BOITE DE VITESSE	UNTERE GETRIEBEACHSE SV	EJE INF. CAMBIO SV
32	G22250028	PIGNONE Z-15 SV	Z-15 PINION SV	PIGNON Z-15 SV	RITZEL Z-15 SV	PIÑN Z-15 SV P
33	G14830390	CUSCINETTO FORO QUADRO	SQUARE-HOLED BEARING	ROULEMENT TROU CARRE	VIERKANTLAGER	COJINETE ORIFICIO CUADRADO
34	G22310011	FLANGIA CAMBIO DP	GEARBOX FLANGE DP	BRIDE BOITE DE VITESSE DP	FLANSCH GETRIEBE DP	BRIDA CAMBIO DP
35	G15830141	PARAFANGO	MUDGARD/FENDER	PARE-BOUE	KOTFL_GEL	GUARDABARRO
36	G15835241	CARTER RUOTA TRASMISSIONE R	TRASHM.WHEEL CARTER			
37	G15835500	BRACCI RUOTA TRASMISSIONE	TRANSMISSION WHEEL ARMS ASS.			
38	G15835132	ASS.SCATOLA CAMBIO RUOTA 5"	ASSY GEARBOX R.5"			
39	G15835170	COPERCHIO SCATOLA CAMBIO R.5"	GEARBOX COVER R.5"	COUVERCLE BOITE DE VITESSE R.5	DECKEL GETRIEBEGEHZUSE R.5"	TAPA CAJA DEL CAMBIO R.5"
40	G15835312	TENDICATENA CAMBIO COMPL	ASSY GEARBOX CHAIN TIGHTENER			
41	G66248218	RONDELLA DISTAN.SPANDI	MAN. SPR. SPACER WASHER	RONDELLE ENTRETOISE EP. ENGRAI	ABSTANDSCHEIBE DsNGERSTREUER	ARANDELA DISTAN.ABONAD.
42	F02100062	SPINA E.P. 4X 24 U6873 C70 BR	PIN EL. 4 X24 DIN 1481	FICHE EL. 4 X24 DIN 1481	SPANNSTIFT 4 X24 DIN 1481	CLAVIJA EL.4 X24 DIN 1481
43	G10538350	CUSCINETTO FORO QUADRO RIB.	SQUARE HOLE BEARING	PALIER TROU CARRE	LAGER VIERKANTLOCH	COJINETE ORIFICIO CUADRADO
44	F02200226	COPIGLIA 5X 25 U1336 ZN	SPLIT PIN 5 X25 1336 GALVAN.	GOUPILLE 5 X25 1336 ZN	SPLINT 5 X25 1336 ZN	PASADOR 5 X25 1336 ZN
45	F06080017	CATENA 1/2 ISO 083 42 MAGLIE	CHAIN 1/2 ISO 083 42 LINKS			
46	G10530271	TENDICATENA CAMBIO	CHAINSTRETCHER GEARBOX			
47	G65337005	MOLLA TRAZ.CAMBIO SV	TRACTION COUPLING SPRING- GEAR	RESSORT TRACT.BOITE DE VITESSE	ZUGFEDER GETRIEBE SV	MUELLE TRAC. CAMBIO SV
48	G22250038	MANIGLIA SV	HANDLE SV	POIGNEE SV	GRIFF SV	MANIJA SV
49	G15835380	ASSE TENDICATENA ZN	CHAIN STRETCHER AXIS	AXE TENDEUR DE CHAINE	ACHSE KETTENSANNER	EJE TENSOR DE CADENA
50	F02050023	ANELLO E. DE 12X 1 U7435 C70	SEEGER RING D 12X 1 U7435 C70	BAGUE SEEGER D 12X 1 U7435 C70	SEEGERRING D 12X 1 U7435 C70	ANILLO D 12X 1 U7435 C70
51	G15835460	BOCCOLA 12 X15 X14	BUSHING 12 X15 X14			
52	G16930550	PIGNONE TENDICATENA CONC.COMPL	COMPL. FERTILIS. CHAIN EXTENDE	PIGNON TENDEUR DE CHAINE FERTI	RITZEL KETTENSANNER D_NGER KO	PIDON TIRA CADENA ABONO COMPL.
53	F02050034	ANELLO E. DE 15X 1 U7435 C70	ELASTIC RING DE 15X 1	BAGUE ELASTIQUE DE 15X 1	RING DE 15X 1	ANILLO DE 15X 1
54	F01020050	VITE M6X1X80 U5737 8.8ZN	SCR. M6X1X80 U5737 8.8ZN	VIS 6 X80 5737 8.G ZN	SCHRAUBE 6 X80 5737 8.G ZN	TORNILLO 6 X80 5737 8.G ZN



89 - Metrical (cm)  
90 - Imperial (inch)

- L.1000 - 80
- L.1500 - 81
- L.2000 - 82
- L.2200 - 83
- L.2480 - 84
- L.2750 - 85
- L.3200 - 86



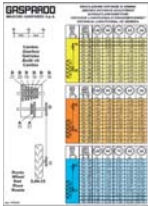


# RUOTA DI TRASMISSIONE

TAV. 082

Pos.	Cod.	Descrizione	Description	Description	Benennung	Descripcion
55	G10530690	PIGNONE Z16 1/2-3/16 Q.20,5 ZN	GEAR Z16 1/2-3/16 Q.20,5 ZN			
56	G22250044	CORONA CAMBIO Z-17 SV	GEARBOX RING GEAR Z-17 SV	COURONNE BOITE DE VITESSE	GETRIEBEKRANZ Z-17 SV	CORONA CAMBIO Z-17 SV
57	G22250045	CORONA CAMBIO Z-18 SV	GEARBOX RING GEAR Z-18 SV	COURONNE BOITE DE VITESSE	GETRIEBEKRANZ Z-18 SV	CORONA CAMBIO Z-18 SV
58	G22250046	CORONA CAMBIO Z-19 SV	GEARBOX RING GEAR Z-19 SV	COURONNE BOITE DE VITESSE	GETRIEBEKRANZ Z-19 SV	CORONA CAMBIO Z-19 SV
59	G22250047	CORONA CAMBIO Z-20 SV	GEARBOX RING GEAR Z-20 SV	COURONNE BOITE DE VITESSE	GETRIEBEKRANZ Z-20 SV	CORONA CAMBIO Z-20 SV
60	G22250048	CORONA CAMBIO Z-21	GEARBOX RING GEAR Z-21 SV	COURONNE BOITE DE VITESSE	GETRIEBEKRANZ Z-21 SV	CORONA CAMBIO Z-21 SV
61	F06120206	CERCHIO 3.00 D 15 PV RAL 9001	RIM 3.00 D 15 PV RAL 9002			
62	F06120134	CAMERA X R5.00-15 E 6.5/80-15	INNER TUBE R5.00-15 6.5/80-15	CHAMBRE R5.00-15 6.5/80-15	KAMMER R5.00-15 6.5/80-15	CAMARA R5.00-15 6.5/80-15
63	F06120170	COPERTURA 5.00-15 IM 110 6PR	TYRE 500-15 IM110 4PR	COUVERTURE 500-15 IM110 4PR	MANTEL 500-15 IM110 4PR	CUBIERTA 500-15 IM110 4PR
64	F05050025	CAPPELOTTO PROTEZ. X VALV.PVC	PROTECTION CAP PVC X VALVA	CAPUCHON PROTECION PVC X VALVA	SCHUTZKAPPE PVC X VENTIL	TAPA PROTECION PVC X VALVA
65	G22505085	FERMO ASSE IN LAMIERA	PLATE AXLE STOP	ARRET AXE EN TOLE	FESTSTELLVORRICHTUNG BLECHACHS	BLOQUEO EJE DE CHAPA
66	F01030060	VITE M8X1,25X35 U5933 10.9ZD	SCREW M8X1,25X35 U5933 10.9ZD	VIS M8X1,25X35 U5933 10.9ZD	SCHRA.M8X1,25X35 U5933 10.9ZD	TORN. M8X1,25X35 U5933 10.9ZD
67	F01030096	VITE M10X1,5X30 U5933 10.9ZN	SCR. M10X1,5X30 U5933 10.9ZN			
68	F01220033	DADO M10X1,5 D980 8ZN	NUT M10X1,5 D980 8ZN	ECROU M10X1,5 D980 8ZN	MUTTER M10X1,5 D980 8ZN	TUERCA M10X1,5 D980 8ZN
69	F01420048	ROS.M8 8,4X 24X 2 U6593 ZN	WASHER M8 8,4X 24X2 U6593 ZN	RONDELLE M8 8,4X24X 2 U6593 ZN	SCHEIBEN M8 8,4X24X 2 U6593 ZN	ARANDELA M8 8,4X 24X2 U6593 ZN
70	G15835330	TENDICATENA ZN	CHAINSTRETCHER ZN			
71	G18801450	BOCCOLA 8,25 X18 X17 IX	BUSHING 8,25 X 18 X 17	BOITE 8,25 X18 X17	BsCHSE 8,25 X18 X17	CASQUILLO 8,25 X18 X17
72	G19005110	RULLO TENDICATENA	ROLLER CHAIN TIGHTENER			RODILLO TENSIONA CADENA
73	G65337035	MOLLA TENDICATENA RUOTA DP	CHAINSTRETCHING WHEEL SPRING			RESORTE TENSION CADENA DE RUED
74	F01020229	VITE M14X2X180 U5737 8.8BR	SCR. M14X2X180 U5737 8.8BR	VIS 14X180 5737 8.G	SCHRAUBE 14X180 5737 8.G	TORNILLO 14X180 5737 8.G
75	F01020526	VITE M12X1,75X100 U5739 8.8ZN	SCR. M12X1,75X100 U5739 8.8ZN	VIS 12X100 5739 8.G ZN	SCHRAUBE 12X100 5739 8.G ZN	TORNILLO 12X100 5739 8.G ZN
76	F01410076	ROS.M12 13X 24X2,5 U6592 ZN	WASHER 12 13X 24X2,5 U6592 ZN	RONDEL. M12 13X24X2,5 U6592 ZN	SCHEIBE M12 13X24X2,5 U6592 ZN	ARANDELA M12 13 X24X2,5 ZN
77	G15220120	VITE REGOLAZIONE ZN	REGULATION BOLT	VIS RÉGLAGE ZN	STELLSCHRAUBE ZN	TORNILLO REGULACIÓN ZN
78	G15226270	MOLLA COMPL.	COMPL. SPRING			
79	G15830440	BOCCOLA MOLLA TRAZIONE ZN.	GALVANIZED BUSH EXTENSION SPR	DOUILLE RESSORT TRACTION ZN	ZUGFEDERBUCHSE	MANGUITO MUELLE DE TRACCIÉN GA
80	G22230138	ASSE CAMBIO 4F.80-6F.45 L.1000	GEAR SPINDLE 4-ROW 80- 6-ROW.4	AXE BOITE DE VITESSE 4 RA	GETRIEBEACHSE 4 R. 80-6 R.45 L	EJE CAMBIO 4 FILAS. 80-6 FILAS
81	G22270089	ASSE TRASM.SEMINAT.L.1500 SP	AXLE- SEEDING MACH.. GEARBOX L	AXE ENTRAINEMENT SEMEUR L. 150	ACHSE SZELEMENTANTRIEB.L.1500	EJE TRANS.SEMBR. L.1500 SP
82	G22230141	ASSE SEMINAT.6F.CM.80 L.2000	AXLE-6-ROW SEEDER MACH.L.2000	AXE SEMEUR 6 RANGEES CM. 80 L.	ACHSE SZAELEMENT 6 R.CM.80 L.2	EJE SEMBR. 6 FILAS. CM.80 L.20
83	G22250276	ASSE TRASM.SEMINAT.L.2200 SV	AXLE- SEEDING MACH. GEARBOX L.	AXE ENTRAINEMENT SEMEUR L. 220	ACHSE SZELEMENT-ANTRIEB.L.2200	EJE TRANS.SEMBR. L.2200 SV
84	G22250275	ASSE TRASM.SEMINAT.L.2750 SV	AXLE- SEEDING MACH. GEARBOX L.	AXE ENTRAINEMENT SEMEUR L. 275	ACHSE SZELEMENTANTRIEB L.2750	EJE TRANS.SEMBR. L.2750 SV
85	G22250031	ASSE TRASM.SEMINAT.L.3200 SV	AXLE- SEEDING MACH. GEARBOX L.	AXE ENTRAINEMENT SEMEUR L.3200	ACHSE SZELEMENTANTRIEB .L.3200	EJE TRANS.SEMBR. L.3200 SV
86	G13732200	ASSE TRASMISSIONE L.2485	TRANSMISSION AXLE L2485	AXE TRANSMISSION L.2485	sBERTRAGUNGSACHSE L.2485	EJE TRANSMISIN L 2485 A
87	F01020221	VITE M14X2X140 U5737 8.8BR	SCR. M14X2X140 U5737 8.8BR	VIS M 14 X140 5737 8.G	SCHRAUBE M 14 X140 5737 8.G	TORNILLO M 14 X140 5737 8.G
88	G15110091	SCONTRO A U SP.8 2F15 165	STRIKER	BRIDE 150 MM	ANSCHLAG	ELEMENTO DE EMPALME
89	G19704260	TABELLA DISTANZA DI SEMINA R	R SEED PLANTING DISTANCE TABLE	TABEAU DISTANCE DE SEMIS R	TABELLE AUSSAATSABSTAND R	TABLA DE DISTANCIA DE SIEMBRA
90	G19708000	DECAL.CAMBIO R.5,00-15 R INCH	LABEL GEAR R.5,00-15 R INCH			

# TAV. 083



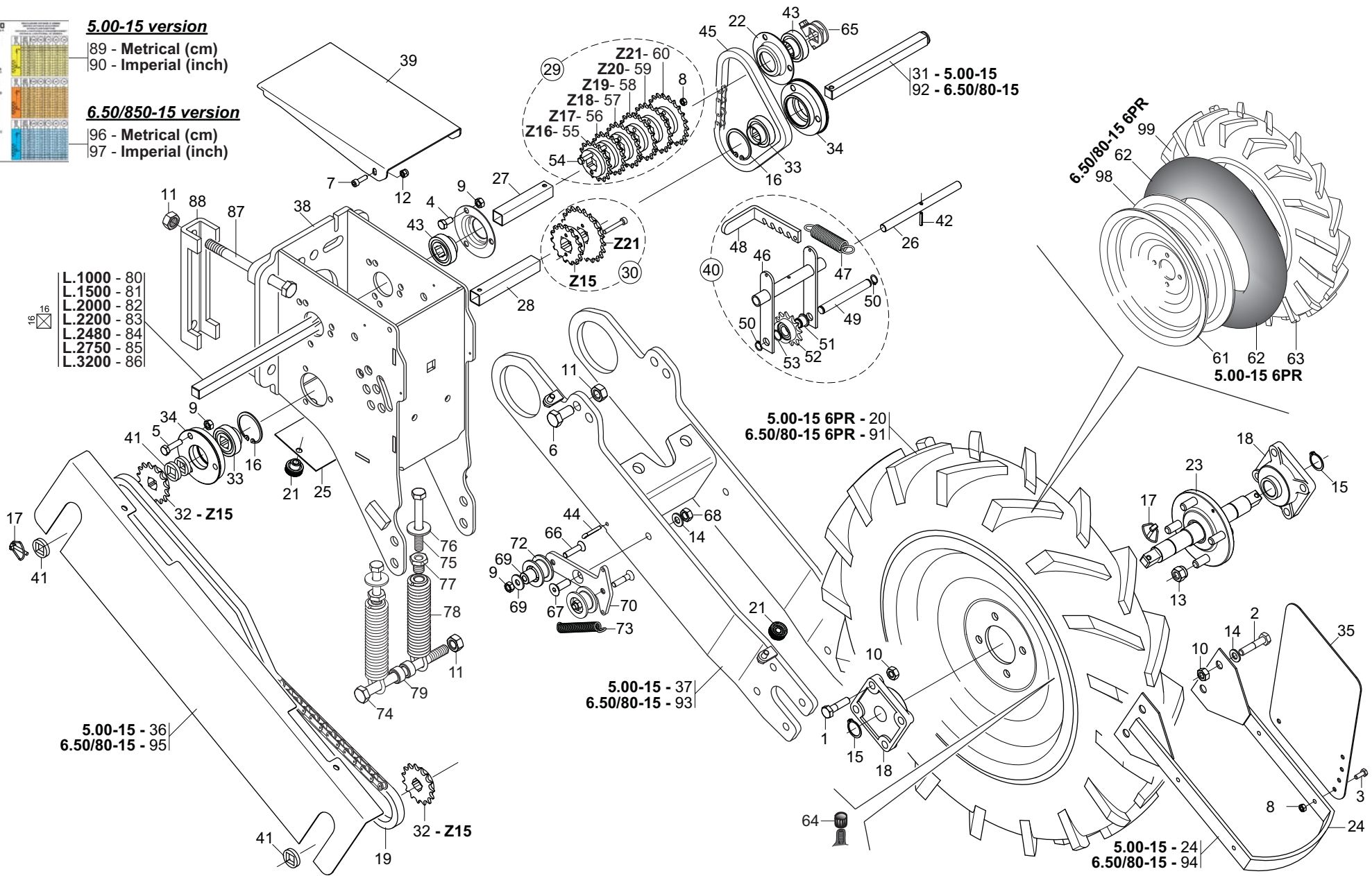
## 5.00-15 version

89 - Metrical (cm)  
90 - Imperial (inch)

## 6.50/850-15 version

96 - Metrical (cm)  
97 - Imperial (inch)

- L.1000 - 80
- L.1500 - 81
- L.2000 - 82
- L.2200 - 83
- L.2480 - 84
- L.2750 - 85
- L.3200 - 86

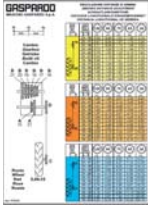


# RUOTA DI TRASMISSIONE

TAV. 083

Pos.	Cod.	Descrizione	Description	Description	Benennung	Descripcion
1	F01020110	VITE M10X1,5X40 U5737 8.8ZN	SCR. M10X1,5X40 U5737 8.8ZN	VIS M 10X40	SCHRAUBE M 10X40	TORNILLO M 10X40
2	F01020112	VITE M10X1,5X45 U5737 8.8ZN	SCR. M10X1,5X45 U5737 8.8ZN	VIS M 10X45	SCHRAUBE M 10X45	TORNILLO M 10X45
3	F01020403	VITE M6X1X16 U5739 8.8ZN	SCR. M6X1X16 U5739 8.8ZN	VIS M6X1X16 U5739 8.8 ZN	SCHRAUBE M6X1X16 U5739 8.8 ZN	TORNILLO M6X1X16 U5739 8.8 ZN
4	F01020432	VITE M8X1,25X16 U5739 8.8ZN	SCR. M8X1,25X16 U5739 8.8ZN	VIS M8 X1,25X16 U5739 8.8 ZN	SCHRAUBE M8X1,25X16U5739 8.8ZN	TORNILLO M8X1,25X16U5739 8.8ZN
5	F01020445	VITE M8X1,25X30 U5739 8.8ZN	SCR. M8X1,25X30 U5739 8.8ZN	VIS M 8X1,25X30 U5739 8.8 ZN	SCHRAU, M8X1,25X30 U5739 8.8ZN	TORN. M8X1,25X30 U5739 8.8 ZN
6	F01020540	VITE M14X2X30 U5739 8.8ZN	SCR. M14X2X30 U5739 8.8ZN	VIS M14X2X30 U5739 8.8ZN	SCHRAUBE M14X2X30 U5739 8.8ZN	TORNILLO M14X2X30 U5739 8.8ZN
7	F01040063	VITE M6X1X20 U5931 8.8ZN	SCR. M6X1X20 U5931 8.8ZN	VIS M 6	SCHRAUBE M 6	TORNILLO M 6
8	F01200232	DADO M6X1 U5588 6.8ZN	NUT M6X1 U5588 6.8ZN	ECROU 6 UNI 5588 6.8 ZN	MUTTER 6 UNI 5588 6.8 ZN	TUERCA 6 UNI 5588 6.8 ZN
9	F01200244	DADO M8X1,25 U5588 6.8ZN	NUT M8X1,25 U5588 6.8ZN	ECROU M8 X1,25 U5588 6.8 ZN	MUTTER M8 X1,25 U5588 6.8 ZN	TUERCA M8 X1,25 U5588 6.8 ZN
10	F01200270	DADO M10X1,5 U5588 6.8ZN	NUT M10X1,5 U5588 6.8ZN	ECROU M10X 1,5 U5588 6.8 ZN	MUTTER M10X 1,5 U5588 6.8 ZN	TUERCA M10X 1,5 U5588 6.8 ZN
11	F01200306	DADO M14X2 U5588 6.8ZN	NUT M14X2 U5588 6.8ZN	ECROU M14X2	MUTTER M14X2	DADO M14X2
12	F01230022	DADO M6X1 D982 8ZN	NUT M6X1 D982 8ZN	ECROU AUTO-FREIN.M6X1 D982 8ZN	SICHERUNGSMUT. M6X1 D982 8 ZN	TUERCA DE SEGU.M6X1 D982 8 ZN
13	F01250040	DADO COLON. 12X1.5 ZN	COLUMN NUT M12X1.5 STUD BOLT	ECROU M12X1. 5 COLONNE	SCHRAUBBOLZENMUTTER M12X1.5	TUERCA 12X1.5 COLUMNA
14	F01410064	ROS.M10 10,5X 20X 2 U6592 ZN	WASHER M10 10,5X20X2 U6592 ZN	RONDEL. M10 10,5X20X2 U6592 ZN	SCHHEIBE M10 10,5X20X2 U6592 ZN	ARANDEL.M10 10,5X20X2 U6592 ZN
15	F02050101	ANELLO E. DE 25X 1,2 U7435 C70	SEEGER RING E. 25X1,2 7435 C70	SEEGER E. 25X 1,2 U7435 C70	SEEGERING E. 25X 1,2 U7435 C70	ANILLO E. 25X 1,2 U7435 C70
16	F02050370	ANELLO E. DI 47X1,75 U7437 C70	SEEGER RING 47X 1,75 U7437 C70	SEEGER E. 47X 1,75 U7437 C70	SEEGERING E. 47X1,75 U7437 C70	ANILLO E. 47X 1,75 U7437 C70
17	F02200452	SPINA SCATTO D.4.4 B/80 ZN	SNAP PIN D4.4 B/80 ZN	FICHE A DETENTE D4.4 B/80 ZN	EINRASTSTIFT D4.4 B/80 ZN	CLAVIJA DE MUELLE D4,4 B/80 ZN
18	F04100137	SUPPORTO FY 25 TF	SUPPORT FY 25 TF			
19	F06080111	CATENA 1/2 ISO 084 113 MAGLIE	CHAIN 1/2 ISO 084 113			
20	F06120113	RUOTA COMPL.5.00-15 6PR DX	COMPL. WHEEL 5.00-15 6PR RH.	ROUE COMPL. 5.00-15 6PR DRT.	RAD KOMPL.5.00-15 6PR RE	RUEDA COMPL.5.00-15 6PR DER.
21	F06220037	VOLANTINO ZIGR.D.26-M8 FEM	KNURLED HANDWHEEL D.26-M8			FOLLETO ZIGR.D.26-M8
22	G22230094	SUPPORTO CUSCINETTO	BEARING SUPPORT	SUPPORT PALIER	LAGERBsCHSE	SOPORTE COJINETE
23	G22270280	ASSE RUOTA TRASM.NORMALE SP/S	NORMAL DRIVE WHEEL AXLE	AXE ROUE ENTRAINEMENT 5.00-15	RADACHSE NORMALER ANTRIEB SP/S	EJE RUEDA TRANS. NORMAL SP/S
24	G10530101	ASS.RASCHIATERRA	SOIL SCRAPER ASSEMBLY	GR. RACLEUR	ERDSCHABER	CONJ. RASC. TIERRA
25	G22250035	PORTA DI CHIUSURA SV	CLOSURE DOOR SV	PORTE DE FERMETURE SV	ABSCHLUSSTsR SV	PUERTA DE CIERRE SV
26	G22250040	SPINA TENDICATENA SV	CHAIN TIGHTENER PIN SV	BROCHE TENDEUR DE CHAINE SV	KETTENSANNERSTIFT SV	CLAVIJA TENSOR DE CADENA SV
27	G10530361	TUBO Q. 20X1,2X 107 1F6,5	SQUARE PIPE 20X1,2X 110			
28	G22250053	DISTANZIALE INFERIORE SV	LOWER SPACER SV	ENTRETOISE INF. SV	UNTERES DISTANZSTsCK SV	DISTAN. INFERIOR SV
29	G22250049	GEARBOX SV	GEARBOX SV	ENSEMBLE BOITE DE VITESSE	GETRIEBEBLOCK SV	BLOQUE CAMBIO SV
30	G22250051	BLOCCO INGRANAGGI Z-15/21 SV	GEAR WHEEL BLOCK Z-15/21 SV	ENSEMBLE ENGRENAGES Z-15/21 SV	ZAHNRZDERBLOCK Z-15/21 SV	BLOQUE ENGRANAJES Z-15/21 SV
31	G22250037	ASSE INF.CAMBIO SV	LOWER GEARBOX SPINDLE SV	AXE INF. BOITE DE VITESSE	UNTERE GETRIEBEACHSE SV	EJE INF. CAMBIO SV
32	G22250028	PIGNONE Z-15 SV	Z-15 PINION SV	PIGNON Z-15 SV	RITZEL Z-15 SV	PIsN Z-15 SV P
33	G14830390	CUSCINETTO FORO QUADRO	SQUARE-HOLED BEARING	ROULEMENT TROU CARRE	VIERKANTLAGER	COJINETE ORIFICIO CUADRADO
34	G22310011	FLANGIA CAMBIO DP	GEARBOX FLANGE DP	BRIDE BOITE DE VITESSE DP	FLANSCH GETRIEBE DP	BRIDA CAMBIO DP
35	G15830141	PARAFANGO	MUDGARD/FENDER	PARE-BOUE	KOTFL_GEL	GUARDABARRO
36	G15835241	CARTER RUOTA TRASMISSIONE R	TRASM.WHEEL CARTER			
37	G15835501					
38	G15835133					
39	G15835170	COPERCHIO SCATOLA CAMBIO R.5"	GEARBOX COVER R.5"			
40	G15835312	TENDICATENA CAMBIO COMPL	ASSY GEARBOX CHAIN TIGHTENER			
41	G66248218	RONDELLA DISTAN.SPANDI	MAN. SPR. SPACER WASHER	RONDELLE ENTRETOISE EP. ENGRAI	ABSTANDSCHEIBE DsNGERSTREUER	ARANDELA DISTAN.ABONAD.
42	F02100062	SPINA E.P. 4X 24 U6873 C70 BR	PIN EL. 4 X24 DIN 1481	FICHE EL. 4 X24 DIN 1481	SPANNSTIFT 4 X24 DIN 1481	CLAVIJA EL.4 X24 DIN 1481
43	G10538350	CUSCINETTO FORO QUADRO RIB.	SQUARE HOLE BEARING	PALIER TROU CARRE	LAGER VIERKANTLOCH	COJINETE ORIFICIO CUADRADO
44	F02200226	COPIGLIA 5X 25 U1336 ZN	SPLIT PIN 5 X25 1336 GALVAN.	GOUPILLE 5 X25 1336 ZN	SPLINT 5 X25 1336 ZN	PASADOR 5 X25 1336 ZN
45	F06080017	CATENA 1/2 ISO 083 42 MAGLIE	CHAIN 1/2 ISO 083 42 LINKS			
46	G10530271	TENDICATENA CAMBIO	CHAINSTRETCHER GEARBOX			
47	G65337005	MOLLA TRAZ.CAMBIO SV	TRACTION COUPLING SPRING- GEAR	RESSORT TRACT.BOITE DE VITESSE	ZUGFEDER GETRIEBE SV	MUELLE TRAC. CAMBIO SV
48	G22250038	MANIGLIA SV	HANDLE SV	POIGNEE SV	GRIFF SV	MANIJA SV
49	G15835380	ASSE TENDICATENA ZN	CHAIN STRETCHER AXIS	AXE TENDEUR DE CHAINE	ACHSE KETTENSANNER	EJE TENSOR DE CADENA
50	F02050023	ANELLO E. DE 12X 1 U7435 C70	SEEGER RING D 12X 1 U7435 C70	BAGUE SEEGER D 12X 1 U7435 C70	SEEGERRING D 12X 1 U7435 C70	ANILLO D 12X 1 U7435 C70
51	G15835460	BOCCOLA 12 X15 X14	BUSHING 12 X15 X14			
52	G16930550	PIGNONE TENDICATENA CONC.COMPL	COMPL. FERTILIS. CHAIN EXTENDE	PIGNON TENDEUR DE CHAINE FERTI	RITZEL KETTENSANNER D_NGER KO	PIDON TIRA CADENA ABONO COMPL.
53	F02050034	ANELLO E. DE 15X 1 U7435 C70	ELASTIC RING DE 15X 1	BAGUE ELASTIQUE DE 15X 1	RING DE 15X 1	ANILLO DE 15X 1
54	F01020050	VITE M6X1X80 U5737 8.8ZN	SCR. M6X1X80 U5737 8.8ZN	VIS 6 X80 5737 8.G ZN	SCHRAUBE 6 X80 5737 8.G ZN	TORNILLO 6 X80 5737 8.G ZN
55	G10530690	PIGNONE Z16 1/2-3/16 Q.20,5 ZN	GEAR Z16 1/2-3/16 Q.20,5 ZN			

TAV. 083



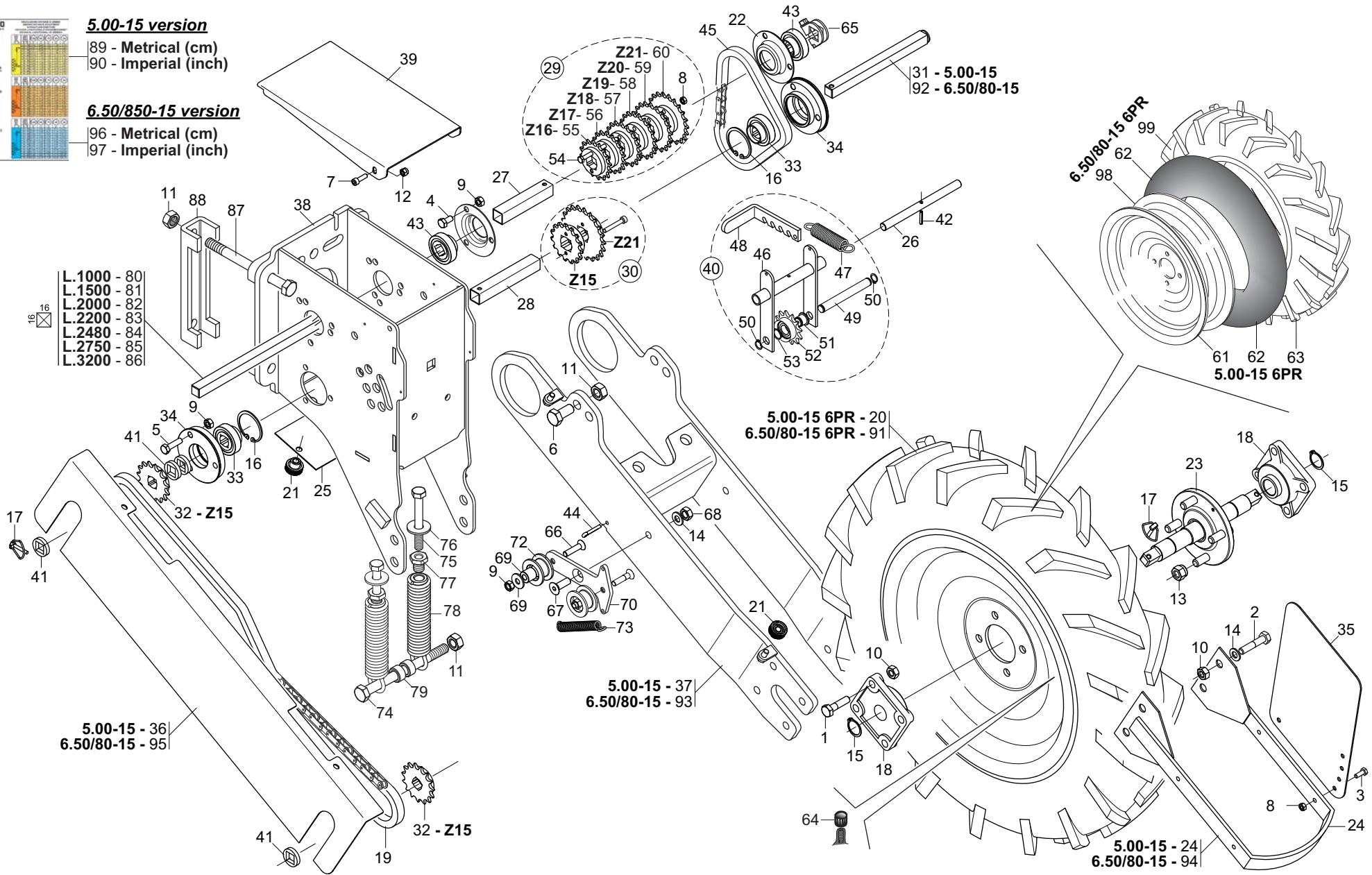
**5.00-15 version**

89 - Metrical (cm)  
90 - Imperial (inch)

**6.50/850-15 version**

96 - Metrical (cm)  
97 - Imperial (inch)

- L.1000 - 80
- L.1500 - 81
- L.2000 - 82
- L.2200 - 83
- L.2480 - 84
- L.2750 - 85
- L.3200 - 86





# RUOTA DI TRASMISSIONE

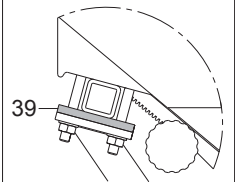
TAV. 083

Pos.	Cod.	Descrizione	Description	Description	Benennung	Descripcion
56	G22250044	CORONA CAMBIO Z-17 SV	GEARBOX RING GEAR Z-17 SV	COURONNE BOITE DE VITESSE	GETRIEBEKRANZ Z-17 SV	CORONA CAMBIO Z-17 SV
57	G22250045	CORONA CAMBIO Z-18 SV	GEARBOX RING GEAR Z-18 SV	COURONNE BOITE DE VITESSE	GETRIEBEKRANZ Z-18 SV	CORONA CAMBIO Z-18 SV
58	G22250046	CORONA CAMBIO Z-19 SV	GEARBOX RING GEAR Z-19 SV	COURONNE BOITE DE VITESSE	GETRIEBEKRANZ Z-19 SV	CORONA CAMBIO Z-19 SV
59	G22250047	CORONA CAMBIO Z-20 SV	GEARBOX RING GEAR Z-20 SV	COURONNE BOITE DE VITESSE	GETRIEBEKRANZ Z-20 SV	CORONA CAMBIO Z-20 SV
60	G22250048	CORONA CAMBIO Z-21 SV	GEARBOX RING GEAR Z-21 SV	COURONNE BOITE DE VITESSE	GETRIEBEKRANZ Z-21 SV	CORONA CAMBIO Z-21 SV
61	F06120206	CERCHIO 3.00 D 15 PV RAL 9001	RIM 3.00 D 15 PV RAL 9002			
62	F06120134	CAMERA X R5.00-15 E 6.5/80-15	INNER TUBE R5.00-15 6.5/80-15	CHAMBRE R5.00-15 6.5/80-15	KAMMER R5.00-15 6.5/80-15	CAMARA R5.00-15 6.5/80-15
63	F06120170	COPERTURA 5.00-15 IM 110 6PR	TYRE 500-15 IM110 4PR	COUVERTURE 500-15 IM110 4PR	MANTEL 500-15 IM110 4PR	CUBIERTA 500-15 IM110 4PR
64	F05050025	CAPPELLOTTO PROTEZ. X VALV.PVC	PROTECTION CAP PVC X VALVA	CAPUCHON PROTECION PVC X VALVA	SCHUTZKAPPE PVC X VENTIL	TAPAPROTECION PVC X VALVA
65	G22505085	FERMO ASSE IN LAMIERA	PLATE AXLE STOP	ARRET AXE EN TOLE	FESTSTELLVORRICHTUNG BLECHACHS	BLOQUEO EJE DE CHAPA
66	F01030060	VITE M8X1,25X35 U5933 10.9ZD	SCREW M8X1,25X35 U5933 10.9ZD	VIS M8X1,25X35 U5933 10.9ZD	SCHRA.M8X1,25X35 U5933 10.9ZD	TORN. M8X1,25X35 U5933 10.9ZD
67	F01030096	VITE M10X1,5X30 U5933 10.9ZN	SCR. M10X1,5X30 U5933 10.9ZN			TORN. M10X1,5X30 U5933 10.9ZN
68	F01220033	DADO M10X1,5 D980 8ZN	NUT M10X1,5 D980 8ZN	ECROU M10X1,5 D980 8ZN	MUTTER M10X1,5 D980 8ZN	TUERCA M10X1,5 D980 8ZN
69	F01420048	ROS.M8 8,4X 24X 2 U6593 ZN	WASHER M8 8,4X 24X2 U6593 ZN	RONDELLE M8 8,4X24X 2 U6593 ZN	SCHLEIBEN M8 8,4X24X 2 U6593 ZN	ARANDELA M8 8,4X 24X2 U6593 ZN
70	G15835330	TENDICATENA ZN	CHAINSTRETCHER ZN			
71	G18801450	BOCCOLA 8,25 X18 X17 IX	BUSHING 8,25 X 18 X 17	BOITE 8,25 X18 X17	BsCHSE 8,25 X18 X17	CASQUILLO 8,25 X18 X17
72	G19005110	RULLO TENDICATENA	ROLLER CHAIN TIGHTENER			RODILLO TENSIONA CADENA
73	G65337035	MOLLA TENDICATENA RUOTA DP	CHAINSTRETCHING WHEEL SPRING			RESORTE TENSION CADENA DE RUED
74	F01020229	VITE M14X2X180 U5737 8.8BR	SCR. M14X2X180 U5737 8.8BR	VIS 14X180 5737 8.G	SCHRAUBE 14X180 5737 8.G	TORNILLO 14X180 5737 8.G
75	F01020526	VITE M12X1,75X100 U5739 8.8ZN	SCR. M12X1,75X100 U5739 8.8ZN	VIS 12X100 5739 8.G ZN	SCHRAUBE 12X100 5739 8.G ZN	TORNILLO 12X100 5739 8.G ZN
76	F01410076	ROS.M12 13X 24X2,5 U6592 ZN	WASHER 12 13X 24X2,5 U6592 ZN	RONDEL. M12 13X24X2,5 U6592 ZN	SCHLEIBE M12 13X24X2,5 U6592 ZN	ARANDELA M12 13 X24X2,5 ZN
77	G15220120	VITE REGOLAZIONE ZN	REGULATION BOLT	VIS RÉGLAGE ZN	STELLSCHRAUBE ZN	TORNILLO REGULACIÓN ZN
78	G15226270	MOLLA COMPL.	COMPL. SPRING			
79	G15830440	BOCCOLA MOLLA TRAZIONE ZN.	GALVANIZED BUSH EXTENSION SPR	DOUILLE RESSORT TRACTION ZN	ZUGFEDERBUCHSE	MANGUITO MUELLE DE TRACCIÓN GA
80	G22230138	ASSE CAMBIO 4F.80-6F.45 L.1000	GEAR SPINDLE 4-ROW 80-6-ROW.4	AXE BOITE DE VITESSE 4 RA	GETRIEBEACHSE 4 R. 80-6 R.45 L	EJE CAMBIO 4 FILAS. 80-6 FILAS
81	G22270089	ASSE TRASM.SEMINAT.L.1500 SP	AXLE- SEEDING MACH.. GEARBOX L	AXE ENTRAINEMENT SEMEUR L. 1500	ACHSE SZELEMENTANTRIEB.L.1500	EJE TRANS.SEMBR. L.1500 SP
82	G22230141	ASSE SEMINAT.6F.CM.80 L.2000	AXLE-6-ROW SEEDER MACH.L.2000	AXE SEMEUR 6 RANGEES CM. 80 L.	ACHSE SZELEMENT 6 R.CM.80 L.2	EJE SEMBR. 6 FILAS. CM.80 L.20
83	G22250276	ASSE TRASM.SEMINAT.L.2200 SV	AXLE- SEEDING MACH. GEARBOX L.	AXE ENTRAINEMENT SEMEUR L. 220	ACHSE SZELEMENT-ANTRIEB.L.2200	EJE TRANS.SEMBR. L.2200 SV
84	G22250275	ASSE TRASM.SEMINAT.L.2750 SV	AXLE- SEEDING MACH. GEARBOX L.	AXE ENTRAINEMENT SEMEUR L. 275	ACHSE SZELEMENTANTRIEB L.2750	EJE TRANS.SEMBR. L.2750 SV
85	G22250031	ASSE TRASM.SEMINAT.L.3200 SV	AXLE- SEEDING MACH. GEARBOX L.	AXE ENTRAINEMENT SEMEUR L.3200	ACHSE SZELEMENTANTRIEB L.3200	EJE TRANS.SEMBR. L.3200 SV
86	G13732200	ASSE TRASMISSIONE L.2485	TRANSMISSION AXLE L2485	AXE TRANSMISSION L.2485	sBERTRAGUNGSACHSE L.2485	EJE TRANSMISIN L 2485 A
87	F01020221	VITE M14X2X140 U5737 8.8BR	SCR. M14X2X140 U5737 8.8BR	VIS M 14 X140 5737 8.G	SCHRAUBE M 14 X140 5737 8.G	TORNILLO M 14 X140 5737 8.G
88	G15110091	SCONTRO A U SP.8 2F15 165	STRIKER	BRIDE 150 MM	ANSCHLAG	ELEMENTO DE EMPALME
89	G19704260	TABELLA DISTANZA DI SEMINA R	R SEED PLANTING DISTANCE TABLE	TABEAU DISTANCE DE SEMIS R	TABELLE AUSSAATSABSTAND R	TABLA DE DISTANCIA DE SIEMBRA
90	G19708000	DECAL.CAMBIO R.5,00-15 R INCH	LABEL GEAR R.5,00-15 R INCH			
91	F06120116	RUOTA 6.50/80-15 COMPL.	COMPLETE WHEEL 6.50/80-15			
92	G15835710					
93	G15835530					
94	G15835690					
95	G15835570					
96	G19709060					
97	G19709510					
98	F06120207	CERCHIO 5J 15 H2 PV RAL 9001	RIM 5J 15 H2 PV RAL 9001			
99	F06120180	COPERTURA 6.5/80-15 IM 110 6PR	TYRE 6.5/80-15 IM 110 6PR			

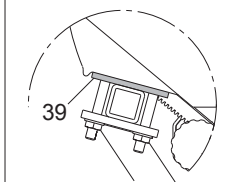


TAV. 141

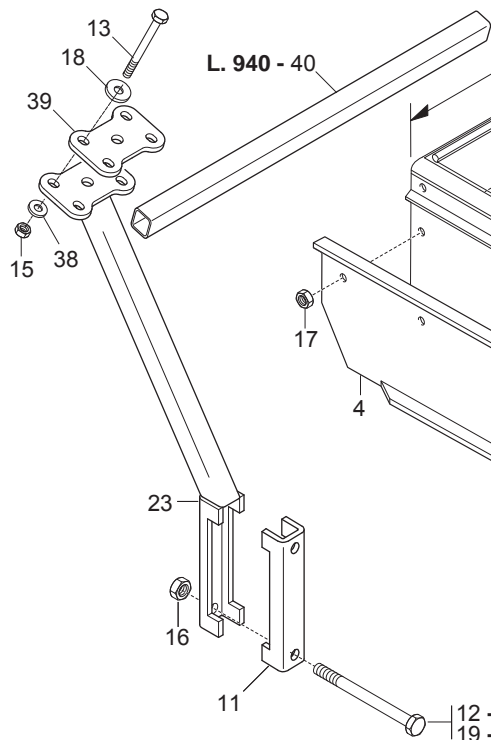
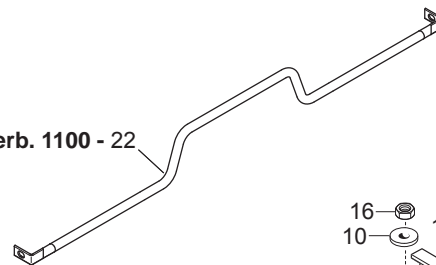
SPANDI 1100 PLA



SPANDI 850 PLA



serb. 1100 - 22



L. 940 - 40

850 mm  
1100 mm

GASPARDO

5 - telaio 150x100  
6 - telaio 150x150

12 - M14x160  
19 - M14x220

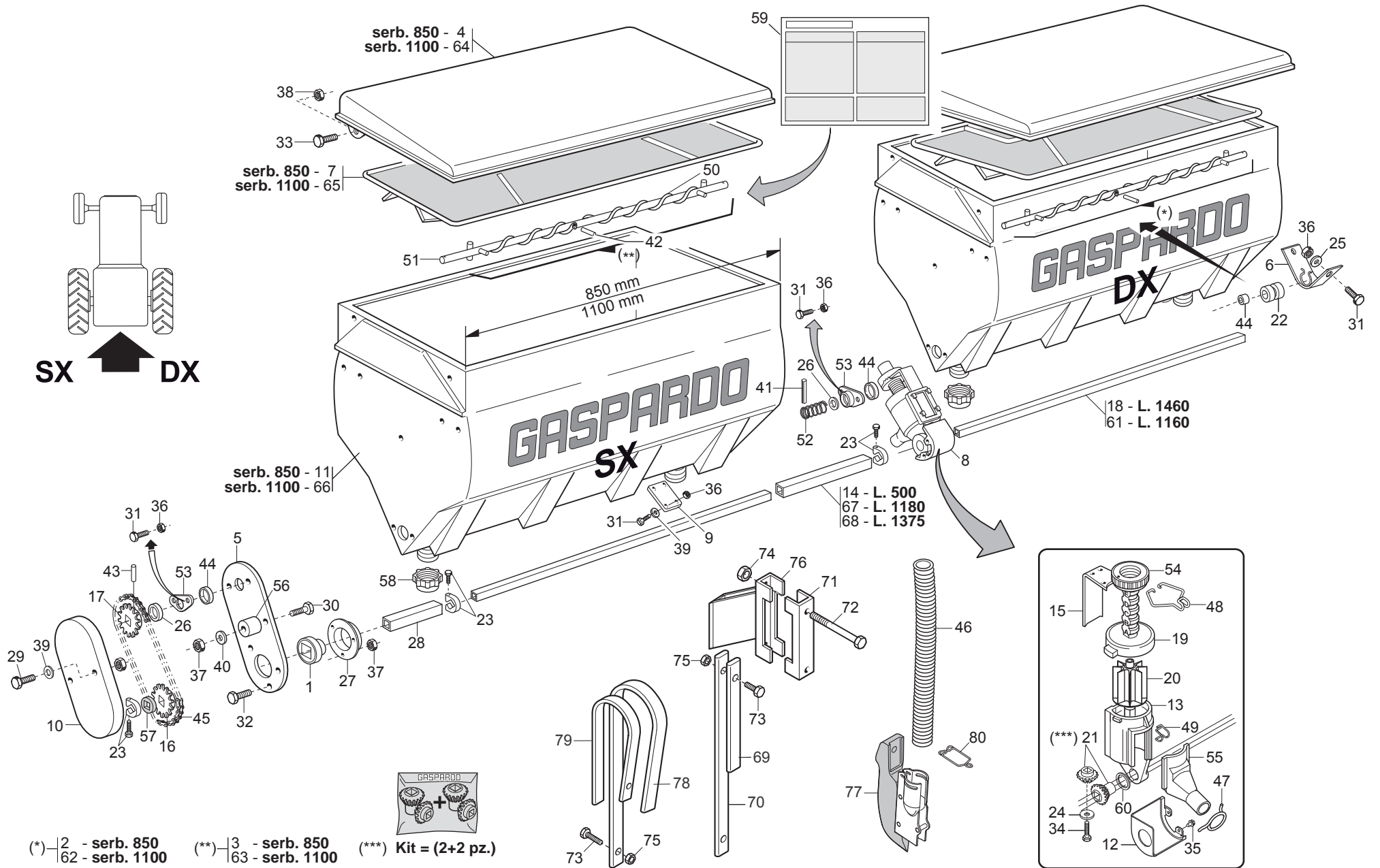
12 - M14x160  
19 - M14x220

- 28 - L. 600
- 27 - L. 750
- 40 - L. 940
- 35 - L. 990
- 30 - L. 1170
- 26 - L. 1200
- 34 - L. 1400
- 25 - L. 1600
- 36 - L. 2000
- 29 - L. 2480
- 21 - L. 2980
- 31 - L. 3100
- 24 - L. 3980
- 33 - L. 5100
- 32 - L. 5800

# SUPPORTI SPANDICONCIME IN PLASTICA

TAV. 141

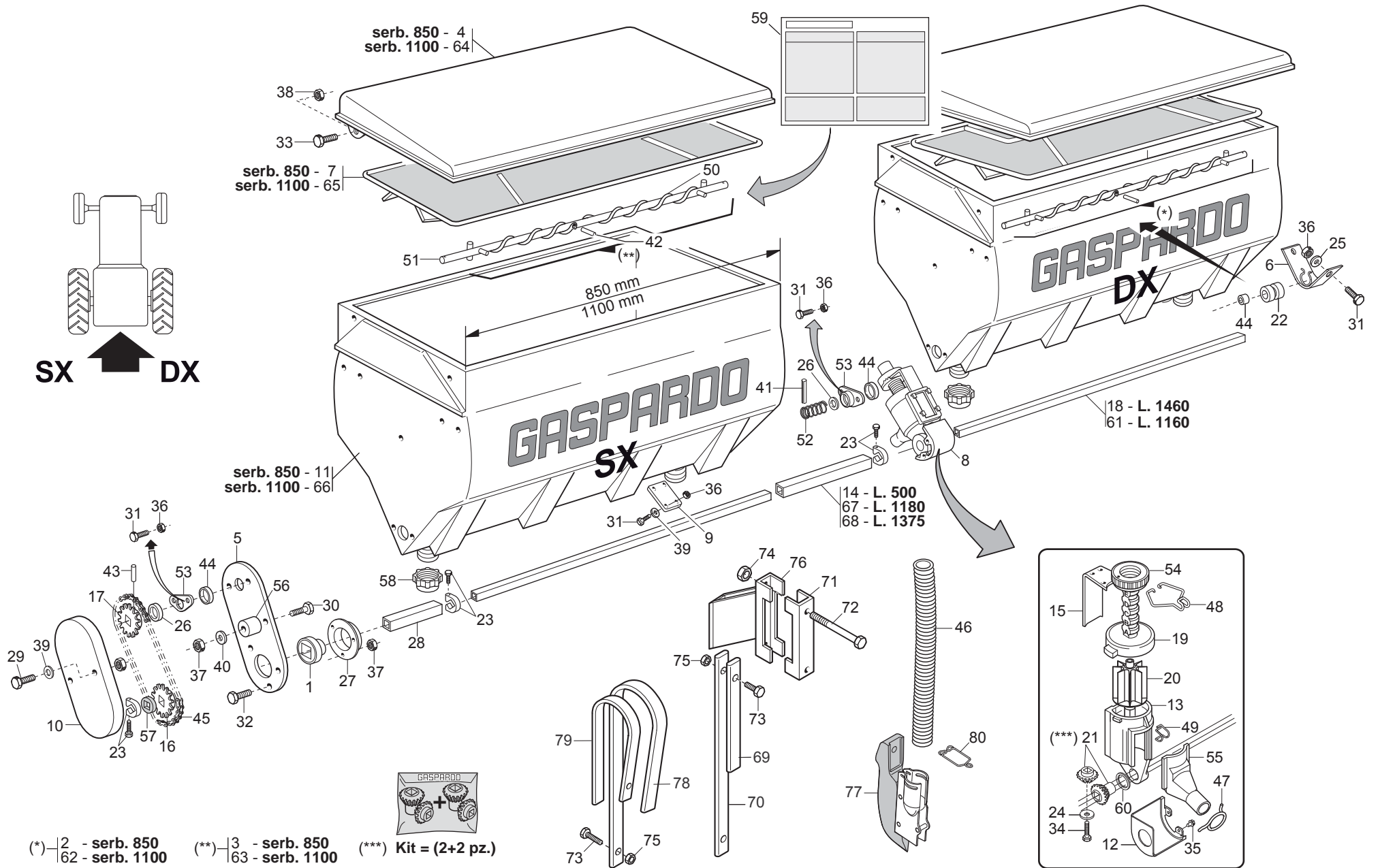
Pos.	Cod.	Descrizione	Description	Description	Benennung	Descrpcion
1	G15470632	SUPP.SPANDI CENTR.DX	CENTRAL RIGHT FERT.ER SUPPORT			
2	G15470642	SUPP.SPANDI CENTR.SX	CENTRAL LEFT FERT.ZER SUPP.			
3	G15171381	SUPP.SPANDI EST.DX	RIGHT EXT.AL FERT.ZER SUPPORT			
4	G15171391	SUPP.SPANDI EST.SX	LEFT EXT.AL FERT.ER SUPPORT			
5	G16670011	SUPPORTO SPANDI	SPREADER SUPPORT	SUPPORT +PANDEUR	HALTERUNG SPANDI	SOPORTE ABONADORA
6	G15472901	SUPPORTO SPANDI Q.150	FERT.SPREADER SUPPORT SQ.150	SUPPORT +PANDEUR CARR+ 150	HALTERUNG SPANDI Q.150	SOPORTE ABONADORA Q.150
7	G18701140	RONDELLA 11 X35 X5 ZN	WASHER 11 X 35 X 5	RONDELLE 11 X35 X5	UNTERLEGSSCHEIBE 11 X35 X5	ARANDELA 11 X35 X5
8	F20110706	CAV.Q.B=35 M=10X1,5 L=60	U BOLT Q.B=35 M=10X1,5 L=60	CAVALIER SUPPORT DISQUE SV	VERBINDUNG SCHEIBENHALTERUNG S	PERNO EN U SOP. DISCO SV
9	F20110770	CAV.Q.B=80 M=14X2 L=119	U BOLT Q.B=80 M=14X2 L=119	BRIDE U M14X2X50 96X119 ZN	ANSCHLANG U M14X2X50 96X119 ZN	EL.DE EMPALME M14X2X50 96X119
10	G20970142	RONDELLA 32X4X15,5	WASHER 32X4X15-5	RONDELLE 32X4X15-5	UNTERLEGSSCHEIBE 32X4X15-5	ARANDELA 32X4X15-5
11	G15110091	SCONTRO A U SP.8 2F15 165	STRIKER	BRIDE 150 MM	ANSCHLAG	ELEMENTO DE EMPALME
12	F01020225	VITE M14X2X160 U5737 8.8BR	SCR. M14X2X160 U5737 8.8BR	VIS M 14 X160 5737 8.G	SCHRAUBE M 14 X160 5737 8.G	TORNILLO M 14 X160 5737 8.G
13	F01020144	VITE M10X1,5X75 U5737 A2IX	SCR. M10X1,5X75 U5737 A2IX	VIS M10X 1,5X 75 U5737 8.8 IX	SCHRAUBE M10X 1,5X 75 U5737 8.	TORNIL. M10X 1,5X 75 U5737 8.8
14	F01020465	VITE M10X1,5X35 U5739 A2IX	SCR. M10X1,5X35 U5739 A2IX	VIS M10X1,5X35 U5739 A2IX	SCHRA.M10X1,5X35 U5739 A2IX	TOR.M10X1,5X35 U5739 A2IX
15	F01200271	DADO M10X1,5 U5588 A2IX	NUT M10X1,5 U5588 A2IX	ECROU 10 5588 6.8 INOX	MUTTER 10 5588 6.8 INOX	TUERCA 10 5588 6.8 INOX
16	F01200306	DADO M14X2 U5588 6.8ZN	NUT M14X2 U5588 6.8ZN	ECROU M14X2	MUTTER M14X2	DADO M14X2
17	F01200271	DADO M10X1,5 U5588 A2IX	NUT M10X1,5 U5588 A2IX	ECROU 10 5588 6.8 INOX	MUTTER 10 5588 6.8 INOX	TUERCA 10 5588 6.8 INOX
18	F01420059	ROS.M10 10,5X 30X2,5 U6593 IX	WASHER 11X30X2,5 6593 A2	RONDELLE 11X30X2,5 6593 A2	UNTERLEGSSCHEIBE 11X30X2,5 6593	ARANDELA 11X30X2,5 6593 A2
19	F01020236	VITE M14X2X220 U5737 8.8BR	SCR. M14X2X220 U5737 8.8BR	VIS M14X2X220 U5737 8.8 BR	SCHRAUBE M14X2X220 U5737 8.8	TORNILLO M14X2X220 U5737 8.8
20	F20120346	PUNTALE Q 35 ALETT.POLIT.NERO	SQ.TIP 35 BLACK			
21	G07000028	TUBO Q. 35X 4X2980	SQUARE PIPE 35 X 35 X 3 X 2980	TUBE CARRE 35 X 35 X 3 X 2980	VIERKANTROHR 35 X 35 X 3 X 298	TUBO CUADRADO 35 X 35 X 3 X 29
22	G15272961	RINFORZO SPANDICONCIME 1100	FERTILIZER 1100 REINFORCEMENT	RENFORT EPANDEUR D'ENGRAIS 110	VERSTZRKUNG DsNGERSTREUER 1100	REFUERZO ABONADORA 1100
23	G15275790	ASS.SUPPORTO ANT.SPANDI PLA	FRONTAL FERT.DISTR.SUPPORT			
24	G07000370	TUBO Q. 35X 3X3980	SQUARE PIPE 35X35X4X3980	TUBE CARRE 35X35X4X3980	VIERKANTROHR 35X35X4X3980	TUBO CUADRADO 35X35X4X3980
25	G07000375	TUBO Q. 35X 3X1600	SQUARE PIPE 35X35X4X1600	TUBE CARRE 35X35X4X1600	VIERKANTROHR 35X35X4X1600	TUBO CUADRADO 35X35X4X1600
26	G15472970	TUBO Q. 35X 4X1200	SQUARE PIPE 35 X4 X1200	TUBE CARRE 35 X4 X1200	VIERKANTROHR 35 X4 X1200	TUBO CUADRADO 35 X4 X1200
27	G15472980	TUBO Q. 35X 4X 750	SQUARE PIPE 35 X4 X750	TUBE CARRE 35 X4 X750	VIERKANTROHR 35 X4 X750	TUBO CUADRADO 35 X4 X750
28	G15472990	TUBO Q. 35X 4X 600	SQUARE PIPE 35 X4 X600	TUBE CARRE 35 X4 X600	VIERKANTROHR 35 X4 X600	TUBO CUADRADO 35 X4 X600
29	G15475130	TUBO SUPPORTO SERBATOIO L.2480	TANK SUPPORT PIPE L.2480	TUBE SUPPORT RESERVOIR L2460	ROHR HALTERUNG BEHZLTER L.2480	TUBO SOPORTE DEPSITO L 2480 T
30	G15475300	TUBO SUPPORTO MICRO L.1170	MICRO SUPPORT PIPE L.1170	TUBE SUPPORT MICRO L1170	ROHR HALTERUNG MIKRO L.1170	TUBO SOPORTE MICRO L.1170
31	G15475390	TUBO SUPPORTO MICRO L.3100	MICRO SUPPORT PIPE L.3100	TUBE SUPPORT MICRO L3100	ROHR HALTERUNG MIKRO L.3100	TUBO SOPORTE MICRO L.3100
32	G15475400	TUBO SUPPORTO MICRO L.5800	MICRO SUPPORT PIPE L.3800	TUBE SUPPORT MICRO L5800	ROHR HALTERUNG MIKRO L.5800	TUBO SOPORTE MICRO L.5800
33	G15475540	TUBO SUPPORTO MICRO L.5100	MICRO SUPPORT PIPE L.5100	TUBE SUPPORT MICRO L5100	ROHR HALTERUNG MIKRO L.5100	TUBO SOPORTE MICRO L 51000
34	G20890207	BARRA DIFFUSORI DISERBO L.1400	WEEDKILLER SPREADER BAR L.1400	BARRE DIFFUSEURS DESHERBAGE L.	DIFFUSORENSTANGE UNKRAUTVERT.	BARRA DIFUSORES HERBICIDA L.1
35	G22220141	BRACCIO SCORREVOLE 4 FILE	SLIDING ARM- 4-ROW	BRAS GLISSANT 4 RANGEES	GLEITARM 4 REIHEN	BRAZO CORREDIZO 4 FILAS
36	G22270115	BRACC.SCORR.6F.100 L.2000 SP	SLIDING ARM 6-R. 100 L.2000 SP	BRAS GLISS. 6 RANG. 100 L. 200	GLEITARM 6R.100 L.2000 SP	BRAZO CORRED. 6 FILAS. 100 L.2
37	G15475271	SUPPORTO MICRO	MICRO SUPPORT	SUPPORT MICROGRANULATEUR	HALTERUNG MICRO	SOPORTE MICRO
38	F01410064	ROS.M10 10,5X 20X 2 U6592 ZN	WASHER M10 10,5X20X2 U6592 ZN	RONDEL. M10 10,5X20X2 U6592 ZN	SCHEIBE M10 10,5X20X2 U6592 ZN	ARANDEL.M10 10,5X20X2 U6592 ZN
39	G14276330	SUPPORTO TUBO	TUBE SUPPORT			
40	G15171650	TUBO Q. 35X 4X 940 1F6,5	TUBE Q. 35X 4X 940 1HOLE 6,5			



# SPANDICONCIME IN PLASTICA

TAV. 151

Pos.	Cod.	Descrizione	Description	Description	Benennung	Descripcion
1	G14830390	CUSCINETTO FORO QUADRO	SQUARE-HOLED BEARING	ROULEMENT TROU CARRE	VIERKANTLAGER	COJINETE ORIFICIO CUADRADO
2	G20860121	ASSE AGITAT.DX SERB.850 COMPL.	STIRRER SPINDLE- RIGHT 850 TAN	AXE AGITATEUR DRT. RESERVOIR 8	SAMENMISCHERACHSE RE BEH.850	EJE AGITAD. DER. DEPS.850 COMA
3	G20860122	ASSE AGITAT.SX SERB.850 COMPL.	STIRRER SPINDLE- LEFT 850 TANK	AXE AGITATEUR GCH. RESERVOIR 8	SAMENMISCHERACHSE LI BEH.850	EJE AGITAD. IZQ. DEPS. 850 COA
4	G15470580	COPERCHIO SERBATOIO 850	TANK TOP 850	COUVERCLE RESERVOIR 650	BEHZLTERDECKEL 850	TAPA DEPSITO 850 A
5	G15471930	PROTEZIONE	GUARD	PROTECTION	SCHUTZ	PROTECCIN P
6	G15471990	SUPPORTO COCLEA	SCREW SUPPORT	SUPPORT VIS ALIMENTATION	HALTERUNG SCHNECKE	SOPORTE CCLEA S
7	G15472760	GRIGLIA SERBATOIO PLASTICA 850	PLASTIC TANK GRID 850	GRILLE RESERVOIR PLASTIQUE 850	BEHZLTERGITTER PLAST.850	REJILLA DEPSITO PLAST.850 G
8	G15472770	DISTRIB.PER SPANDI.PLA.8 PALE	COMPL.PLAS.FERTIL.DISTR.8RIBS	MINIMAX COMPL 8C PLA	KOMPL.DOSIER.PLA.DÜNGERSTR.8S	DISTR.COMP.ABONO PLAST. 8AL.
9	G15472780	TAPPO SPANDI PLASTICA	PLASTIC FERT. SPREADER PLUG	BOUCHON EPAND. PLASTIQUE	PLASTIKPFROPFEN DsNGERSTR.	TAPN ABONADORA PLæSTICO D
10	G19002710	PROTEZ.RINVIO SPANDICONCIME	FERTILIZER TRANSM. PROTECTION	PROTECTION RENVOI FERTILISEUR	SCHUTZ VORGELEGE DUNGERSTREUER	PROTECCION TRANSMISION ABONADO
11	G19004470	SERBATOIO CONCIME 850	FERTILIZER HOPPER 850	TR+MIE ENGRAIS 850	D_NGERTANK 850	DEPÉSITO ABONO 850
12	G19002850	PROTEZIONE PIGNONE	PINION GUARD	PROTECTION PIGNON	RITZELSCHUTZ	PROTECCIN PIGNON PR
13	G19002920	CORPO DISTRIBUTORE SPANDI PLA.	PLA. F.SPREADER DISTRIB.CASING	CORPS DISTRIBUTEUR EPAND.	VERTEILUNGSKTRPRER STREUER PLA.	CUERPO DIST. ABONADORA PLæS.
14	G20860012	MANICOTTO DI UNIONE L.500	JOINT SLEEVE L.500	MANCHON DE RACCORD L. 500	VERBINDUNGSMUFFE L.500	MANGUITO DE UNIN L.500 M
15	G20860052	REGOLATORE APERTURA	OPENING REGULATOR	REGULATEUR OUVERTURE	TFFNUNGSEINSTELLER	REGULADOR ABERTURA
16	G20860086	INGRANAGGIO 1/2 Z-12 F.Q.	GEAR 1/2 Z-12 F.Q.	ENGRENAGE 1/2 Z-12 TROUS CARRE	ZAHNRAD 1/2 Z-12 F.Q.	ENGRANAJE 1/2 Z-12 F.Q.
17	G20860088	INGRANAGGIO 1/2 Z-12 F.T.	GEAR 1/2 Z-12 F.T.	ENGRENAGE 1/2 Z-12 TROUS ROND	ZAHNRAD 1/2 Z-12 F.T.	ENGRANAJE 1/2 Z-12 F.T.
18	G20860090	ASSE TRASMISSIONE L.1460	AXLE- LEFT 5-R.60 L.1460	AXE GCH. 5 RANGEES 60 L. 1460	ACHSE LI 5R.F.60 L.1460	EJE IZQ. 5 FILA. 60 L.1460
19	G20860093	VITE DI REGOL.	ADJUSTMENT BOLT	VIS DE REGLAGE	EINSTELLSCHRAUBE.	TORNILLO DE REGULACIN S
20	G20860106	DOSATORE SPANDI 8 PALE COMPL.	FERT.METERING DEVICE ASS.8 GRO	ROTOR DOSEUR 8C FERTIL COMPL.	DOSIERER DUNGER.KOMPL. 8 SEKT	DOSIFICADOR ABONO COMP.8 SECT
21	G20860126	KIT INGR DISTR CONCIME (2+2)	KIT- MAN. DISTR. GEARS (2+2)	COUPLE CON DISTR ENGRAIS (2+2)	KIT ZAHNRZDER DsNGERSTREUER	SET ENGRANAJES DISTRIB. ABONO
22	G19005040	BOCCOLA ASSE AGITATORE SPANDI	FERT. SPREADER AXLE BUSH	DOUILLE AXE +PANDEUR	ACHSENBUCHSE STREUER	MANGUITO -RBOL ABONADORA
23	G22505085	FERMO ASSE IN LAMIERA	PLATE AXLE STOP	ARRET AXE EN TOLE	FESTSTELLVORRICHTUNG BLECHACHS	BLOQUEO EJE DE CHAPA
24	G20970097	RONDELLA 32X3X4,5	WASHER 32X3X4-5	RONDELLE 32X3X4-5	UNTERLEGSCHIEBE 32X3X4-5	ARANDELA 32X3X4-5
25	G20970125	RONDELLA 28X2,5X6,5	WASHER 28X2,5X6-5	RONDELLE 28X2-5X6-5	UNTERLEGSCHIEBE 28X2-5X6-5	ARANDELA 28X2-5X6-5
26	G22220073	RONDELLA 28X0,3X16,5	WASHER 28X0-3X16-5	RONDELLE 28X0-3X16-5	UNTERLEGSCHIEBE 28X0-3X16-5	ARANDELA 28X0-3X16-5
27	G22230094	SUPPORTO CUSCINETTO	BEARING SUPPORT	SUPPORT PALIER	LAGERBSCHSE	SOPORTE COJINETE
28	G22250287	MANICOTTO DISTANZIALE SV	SPACER SLEEVE SV	MANCHON ENTRETOISE SV	ABSTANDSMUFFE SV	MANGUITO DISTANCIADOR SV
29	F01020043	VITE M6X1X60 U5737 8.8ZN	SCR. M6X1X60 U5737 8.8ZN	VIS M6X1X60 U5737 8.8 ZN	SCHRAUBE M6X1X60 U5737 8.8 ZN	TORNILLO M6X1X60 U5737 8.8 ZN
30	F01020068	VITE M8X1,25X40 U5737 8.8ZN	SCR. M8X1,25X40 U5737 8.8ZN	VIS M 8X1,25X40 U5737 8.8 ZN	SCHRA. M8X1,25X40 U5737 8.8 ZN	TORNIL. M8X1,25X40 U5737 8.8 ZN
31	F01020403	VITE M6X1X16 U5739 8.8ZN	SCR. M6X1X16 U5739 8.8ZN	VIS M6X1X16 U5739 8.8 ZN	SCHRAUBE M6X1X16 U5739 8.8 ZN	TORNILLO M6X1X16 U5739 8.8 ZN
32	F01020432	VITE M8X1,25X16 U5739 8.8ZN	SCR. M8X1,25X16 U5739 8.8ZN	VIS M8 X1,25X16 U5739 8.8 ZN	SCHRAUBE M8X1,25X16U5739 8.8ZN	TORNILLO M8X1,25X16U5739 8.8ZN
33	F01020472	VITE M10X1,5X25 U5739 8.8ZN	SCR. M10X1,5X25 U5739 8.8ZN	VIS M10X1,5X25 U5739 8.8 ZN	SCHRAUBE M10X1,5X25 U5739 8.8	TORNILLO 10X25 U5739 8.8 ZN
34	F01070075	VITE A4,2X1,41X38 U6954 4.8NI	SCR. H4,2X1,41X38 U6954 4.8NI	VIS 4-2X38 DIN 7981	SCHRAUBE 4-2X38 DIN 7981	TORNILLO 4-2X38 DIN 7981
35	F01070011	VITE A4,2X1,41X9,5 U6950 4.8NI	SCR. H4,2X1,41X9,5 U6950 4.8NI	VIS AUTOTAR. 4-2X9-5 T. E. COU	SELBSTSCHNEID. SCHRAUBE 4-2X9-	TORNILLO AUTORROSC. 4-2X9-5
36	F01200232	DADO M6X1 U5588 6.8ZN	NUT M6X1 U5588 6.8ZN	ECROU 6 UNI 5588 6.8 ZN	MUTTER 6 UNI 5588 6.8 ZN	TUERCA 6 UNI 5588 6.8 ZN
37	F01200244	DADO M8X1,25 U5588 6.8ZN	NUT M8X1,25 U5588 6.8ZN	ECROU M8 X1,25 U5588 6.8 ZN	MUTTER M8 X1,25 U5588 6.8 ZN	TUERCA M8 X1,25 U5588 6.8 ZN
38	F01220033	DADO M10X1,5 D980 8ZN	NUT M10X1,5 D980 8ZN	ECROU M10X1,5 D980 8ZN	MUTTER M10X1,5 D980 8ZN	TUERCA M10X1,5 D980 8ZN
39	F01410037	ROS.M6 6,4X12,5X1,6 U6592 ZN	WASHER M6 6,4X12,5X1,6 U6592ZN	RONDEL.M6 6,4X12,5X1,6 U6592ZN	SCHEIB.M6 6,4X12,5X1,6 U6592ZN	ARAND.M6 6,4X12,5X1,6 U6592 ZN
40	F01410051	ROS.M8 8,4X 17X1,6 U6592 ZN	WASHER M8 8,4X17X1,6 U6592 ZN	RONDELLE M8 8,4X17X1,6 U6592ZN	SCHEIBE M8 8,4X17X1,6 U6592 ZN	ARANDELA M8 8,4X17X1,6 U6592ZN
41	F02100079	SPINA E.P. 5X 20 U6873 C70 BR	PIN EL. 5X 20 U6873 C70 BR	PIN EL. 5X 20 U6873 C70 BR	GOUPILLE EL.6 X30 DIN1481ZN*	SPANNSTIFT 6 X30 DIN 1481 ZN
42	F02100314	SPINA EL.5 X36 DIN 1481 INOX	PIN EL.5 X36 DIN 1481 INOX	PIN EL. 5X36 DIN 1481 INOX		CLAVIJA EL.6 X30 DIN 1481 ZN
43	F02100113	SPINA E.P. 6X 30 U6873 C70 ZN	PIN EL. 6X30 DIN 1481 ZN *	PIN EL. 6X30 DIN 1481 ZN *		
44	F03011081	GUARNIZIONI LABBRO DE100	LIP GASKET D100	LIP GASKET D100		
45	F06080196	CATENA 1/2 ISO 083 32 MAGLIE	CUT-DOWN CHAIN .1/2 ISO 083 32	TRONCON CHAINE 1/2 ISO 083 32	KETTENLNZNGE 1/2 ISO 083 32 GL	TRECHO CADENA 1/2 ISO 083 32
46	F03100500	TUBO EOLO 35 PU	TUBE EOLO 35 PU	TUBE EOLO 35 PU		TUBO EOLO
47	G65336025	MOLLA SPEC.ZN STRINGIT.ASP.SP	SPEC SPRING ZN FAN . PIPE CLAM	RESSORT SPEC. ZN SERRE-TUBE AS	SPEZIALFEDER ZN RORHSCHELLE AB	MUELLE ESPEC. ZN APRIETA TUBOS
48	G65336055	MOLLA SPEC.REGOL.SPAND. SP	SPEC SPRING MAN. SPR. ADJUSTM.	RESSORT SPEC. REGL. EP. ENTRA	SPEZIALFEDER STREUERINSTELLUN	MUELLE ESPEC. REGUL. ABONADORA
49	G65336062	MOLLA SPEC.SCIV.DISTR.SPAND.SP	SPEC SPRING - MAN. SPR. DISTR.	RESS. SPEC. LANCOIR DISTR. EP.	SPEZ.FEDER RUTSCHE SZAPP. STRE	MUELLE ESPEC.PLANO INCL.DISTR.
50	G65336064	MOLLA SPEC.COCLEA DX SPAND.HL	SPEC. WORM SCREW SPRING RIGHT	RESSORT SPEC. VIS DRT. EP. ENG	SPEZ.FEDER RE SCHNECKE STREUER	MUELLE ESPEC. TORN.S/F DER. AB
51	G65336065	MOLLA SPEC.COCLEA SX SPAND.HL	SPEC. WORM SCREW SPRING LEFT M	RESSORT SPEC. VIS GCH. EP. ENG	SPEZ.FEDER LI SCHNECKE STREUER	MUELLE ESPEC. TORN.S/F IZQ. AB
52	G65338043	MOLLA COMP.ZN SERB. M80	ZN TANK COMP.SPRING M80	RESSORT COMPL. ZN RESERVOIR M8	DRUCKFEDER ZN BEHZLTER M80	MUELLE COMP.ZN DEPS. M80 A
53	G66248121	BOCCOLA CON FLANGIA M80	BUSHING W/ FLANGE M80	SUPPORT AVEC BRIDE M80	BsCHSE MIT FLANSCH M80	CASQUILLO CON BRIDA M80
54	G66248125	GHIERA REGOLAZIONE M80	ADJUSTMENT KNURLED NUT M80	BAGUE REGLAGE M80	EINSTELLMUTTER M80	CONTRATUERCA REGULACIN M80 G

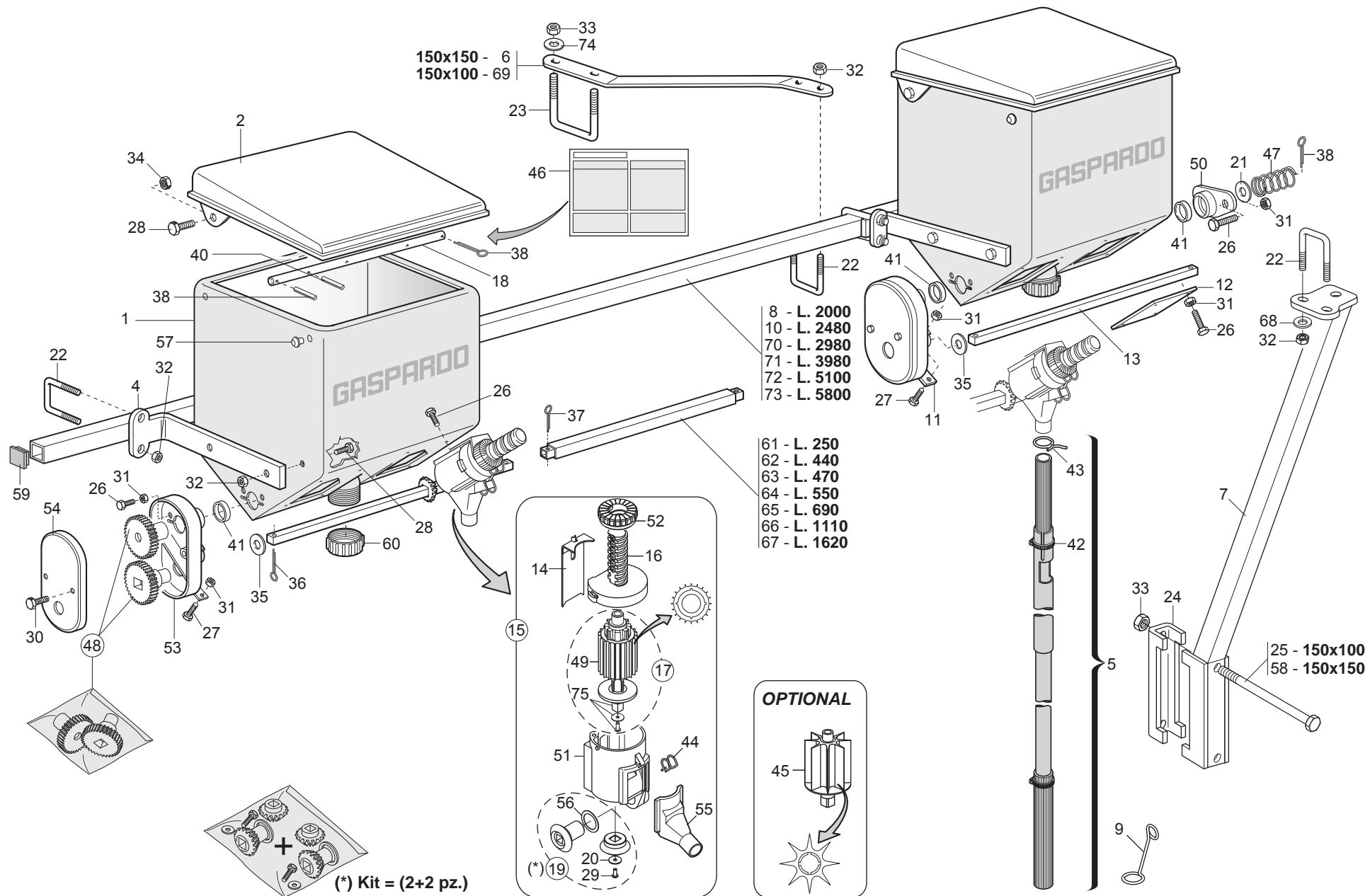




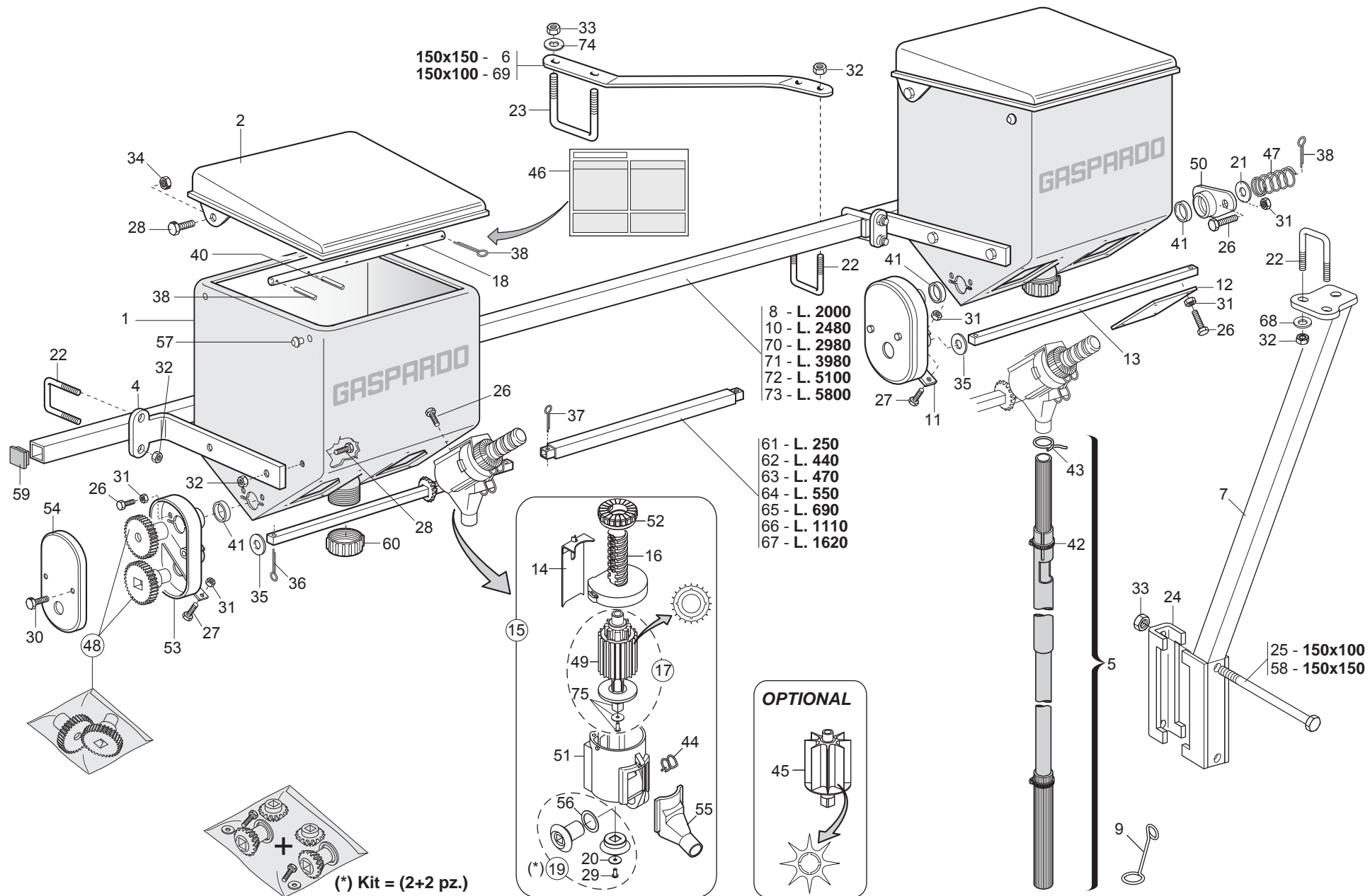
**SPANDICONCIME IN PLASTICA**

**TAV. 151**

Pos.	Cod.	Descrizione	Description	Description	Benennung	Descripcion
55	G66248178	SCIVOLO DISTR.SPAND. SP	CHUTE- MANURE-SPREADER DISTRIB	LANCOIR DISTRIBUTION EP. ENGR.	DsNGERSTREUER RUTSCHE SP	PLANO INCLINADO DISTR. ABON. S
56	G66248207	TENDICATENA SPAND. SP-520	CHAIN TENSIONER	TENDEUR DE CHAINE EPAND. ENGR.	KETTENSANNER DsNGERSTR. SP-52	TENSOR DE CADENA ABON. SP-520
57	G66248218	RONDELLA DISTAN.SPANDI	MAN. SPR. SPACER WASHER	RONDELLE ENTRETOISE EP. ENGRAI	ABSTANDSCHEIBE DsNGERSTREUER	ARANDELA DISTAN.ABONAD.
58	F03150757	TAPPO FILETT.SERBAT.PLASTICA	SCREWED PLUG FOR PLASTIC TANK			
59	G19702751	DECAL.TABELLA CONCIME 'V'99	V 99 FERTILIZER CHART STICKER	DECALC. TABLEAU ENGRAIS V 99	ABZIEHB. TABELLE DsNGER V 99	CAL.TABLA ABONO V 99
60	G18701500	RONDELLA 29,5 X38 X0,3 IX	WASHER 29,5 X 38 X 0,3	RONDELLE 29,5 X38 X0,3	UNTERLEGSCHIEBE 29,5X38X0,3	ARANDELA 29,5 X38 X0,3
61	G20860032	ASSE RUOTA CAMBIO L.1160	WHEELAXLE - GEARBOX L.1160	AXE ROUE BOITE DE VITESSE	GEBTRIEBERADACHSE L 1160	EJE RUEDA CAMBIO L.1160
62	G15271540	ASSE AGITATORE DX 1100	STIRRER SPINDLE-RIGHT 1100 TAN	AXE AGITATEUR DRT.RESERV.1100	SAMENMISCHERACHSE RE BEH.1100	EJE AGITAD.DER.DEPS.1100 COM A
63	G15271550	ASSE AGITATORE SX 1100	STIRRER SPINDLE- LEFT 1100	AXE AGITATEUR GCH. 1100	SAMENMISCHERACHSE LINKER 1100	EJE AGITAD. IZQ. 1100
64	G15471920	COPERCHIO SERBATOIO L.1100	TANK COVER L.1100	COUVERCLE RESERVOIR L.1100	BEHZLTERDECKEL L.1100	TAPA DEPS.L.1100 A
65	G15473130	GRIGLIA SERBATOIO 1100 PLAST.	PLASTIC TANK GRID 1100	GRILLE RESERVOIR PLAST.1100	BEHZLTERGITTER PLAST.1100	REJILLA DEPSITO PLAST.1100 G
66	G19003060	SERBATOIO 1100 PLASTICA	PLASTIC TANK 1100	RESERVOIR 1100 PLASTIQUE	PLASTIKBEHZLTER 1100	DEPSITO 1100 PLÆSTICA B
67	G20910045	MANICOTTO UNIONE L.1180	JOINT SLEEVE L.1180	MANCHON RACCORD L. 1180	VERBINDUNGSMUFFE L.1180	MANGUITO DE UNIN L.1180 M
68	G20910044	MANICOTTO UNIONE L.1375	JOINT SLEEVE L.1375	MANCHON RACCORD L. 1375	VERBINDUNGSMUFFE L.1375	MANGUITO DE UNIN L.1375 M
69	G18903220	RINF.MOLLA CONCIM.FILE DISP.	ODD NUM. ROW MANUR.SPRING REIN	RENF. RESS. FUMAGE RANGEES IMP	VERST. FEDER DsNG. UNGERADE RE	REFUERZO MUELLE ABONO FILAS IM
70	G18903210	MOLLA CONCIM.FILE DISPARI	ODD NUMBER ROW MANUR.SPRING	RESS. FUMAGE RANGEES IMPAIRES	FEDER DsNGUNG UNGERADE REIHEN	MUELLE ABONO FILAS IMPARES
71	G15110091	SCONTRO A U SP.8 2F15 165	STRIKER	BRIDE 150 MM	ANSCHLAG	ELEMENTO DE EMPALME
72	F01020225	VITE M14X2X160 U5737 8.8BR	SCR. M14X2X160 U5737 8.8BR	VIS M 14 X160 5737 8.G	SCHRAUBE M 14 X160 5737 8.G	TORNILLO M 14 X160 5737 8.G
73	F01020512	VITE M12X1,75X35 U5739 8.8ZN	SCR. M12X1,75X35 U5739 8.8ZN	VIS M12X1,75X35 5739 8.8 ZN	SCHR. M12X1,75X35 5739 8.8 ZN	TORN. M12X1,75X35 5739 8.8 ZN
74	F01200306	DADO M14X2 U5588 6.8ZN	NUT M14X2 U5588 6.8ZN	ECROU M14X2	MUTTER M14X2	DADO M14X2
75	F01220048	DADO M12X1,75 D980 8ZN	NUT M12X1,75 D980 8ZN	ECROU M12X1,75 D980 8 ZN	SCHIEBE M12X1,75 D980 8 ZN	TUERCA M12X1,75 D980 8 ZN
76	G15470232	SUPPORTO MOLLA PIATTA 150	FLAT SPRING SUPPORT 150	SUPPORT RESSORT PLAT 150	HALTERUNG FLACHFEDER 150	SOPORTE MUELLE PLANO 150
77	G16670610	FALCIONE ELEM.CONCIMAZ.PIATTA	FLAT FERT.ELEMENT MOWER			BOTA.ELEM.ABONAD.MUELLE PLANO A
78	G18901092	GAMBO CONCIMAZ.MOLLA PIATTA SP	FLAT SPRING MANURING LEG SP	TIGE FUMAGE RESSORT PLAT SP	SCHAFT DsNGUNG FLACHE FEDER SP	VæSTAGO ABONO MUELLE CHATO SP
79	G18902861	RINF.MOLLA PIATTA CONCIM.SP	MANUR.PLATE SPRING REINFORCE.S	RENF. RESSORT PLAT FUMAGE SP	VERSTZRKUNG FLACHFEDER DsNGUNG	REFUERZO MUELLE ABONO SP
80	G18903911	MOLLA FERMO TUBO D.35 ZN	PIPE LOCK SPRING D.35	RESSORT ARR-T TUBE D.35	ROHRSPERRFEDER D.35	MUELLE TOPE TUBO D. 35



Pos.	Cod.	Descrizione	Description	Description	Benennung	Descripcion
1	G19002932	SERBATOIO MICRO 250 PLA.	PLASTIC TANK MICRO 250	RESERVOIR MICRO 250 PLASTIQUE	MIKROGRANULATBEHZLTER PLAST.	DEPSITO MICRO 250 PLAST.
2	G15475231	COPERCHIO MICRO 250 PLA.	PLASTIC COVER MICRO 250	COUVERCLE MICRO 250 PLASTIQUE	MIKRO DECKEL 250 PLAST.	TAPA MICRO 250 PLAST.
3	G15475260N	SCONTRO NH	PLATE NH	PLATE NH		
4	G15475271	SUPPORTO MICRO	MICRO SUPPORT	SUPPORT MICROGRANULATEUR	HALTERUNG MICRO	SOPORTE MICRO
5	G15870251	TUBO DISCESA MICRO ORTAG.COMPL	COMP.SEED DEL.TUBE MICRO ORTAG			
6	G15475382	TIRANTE MICRO TEL.150	TIE-ROD MICRO TEL.150			
7	G15475411	SUPP.BARRA MICRO M.S.SPAN.	M.S. FERTILISER SPREADER MICRO	SUPPORT BARRE MICRO M.S. EPAND	MIKRO SPINDELHALTERUNG M.S. Ds	SOPORTE BARRA MICRO M.S. ABONA
8	G22270115	BRACC.SCORR.6F.100 L.2000 SP	SLIDING ARM 6-R. 100 L.2000 SP	BRAS GLISS. 6 RANG. 100 L. 200	GLEITARM 6R.100 L.2000 SP	BRAZO CORRED. 6 FILAS. 100 L.2
9	G18903191	MOLLA SPEC.ZN DISCESA MICRO	SPEC.SPRING ZN MICRO GUIDE	RESSORT SPEC. ZN GUIDE MICRO	SPEZIALFEDER ZN F_HR.MIKRO	MUELLE ESPEC. ZN GUA MICRO
10	G15475130	TUBO SUPPORTO SERBATOIO L.2480	TANK SUPPORT PIPE L.2480	TUBE SUPPORT RESERVOIR L2460	ROHR HALTERUNG BEHZLTER L.2480	TUBO SOPORTE DEPSITO L 2480 T
11	G20890078	PIASTRA DI COLLEGAMENTO	CONNECTION PLATE	PLAQUE DE RACCORD	VERBINDUNGSPLATTE	PLACA DE CONEXIN P
12	G20890079	PIASTRA DI CHIUSURA	CLOSURE PLATE	PLAQUE DE FERMETURE	ABSCHLUSSPLATTE	PLACA DE CIERRE
13	G20890081	ASSE DISTRIB.MICRO L.445	MICRO DISTR. SPINDLE- L. 445	AXE DISTRIBUTEUR MICRO L. 445	MIKRO STREUERACHSE L 445	EJE DISTRIB.MICRO L.445
14	G20890089	REGOLATORE DI APERTURA	OPENING REGULATOR	REGULATEUR D'OUVERTURE	TFFNUNGSEINTELLER	REGULADOR DE ABERTURA
15	G20890135	DISTRIB.NYLON COMPL.E SCIVOLO	DISTRIB. NYLON ASSY. AND CHUTE	MINIMAX COMPL 20C MICRO	SZAPPARAT NYLON KOMPL. UND RUT	DISTRIB.NYLON COMPL.Y PLANO IN
16	G20890151	VITE-SCALA GRADUATA	GRADUATED SCALE BOLT	VIS-EHELLE GRADUEE	SCHRAUBE - GRADSKALA	TORNILLO - ESCALA GRADUADA
17	G20890158	DOSATORE MICRO COMPL.	ROTOR DIST. MICRO 20 GROOVES	ROTOR DOSEUR 20C MICRO COMPL.	DOSIERER MIKRO KOMPL. 20 SEKT	DOSIFICADOR MICRO COMPL.20 SEC
18	G20890194	ASSE AGITATORE SERB.MICRO 250	STIRRER SPINDLE- MICRO TANK 25	AXE AGITATEUR RESERVOIR MICRO	SAMENMISCHERACHSE BEH.MIKRO 25	EJE AGITADOR DEPS. MICRO 250 A
19	G20890211	KIT INGRANAGGI DISTRIB.MICRO	DISTRIBUTION GEAR KIT MICRO			KIT ENGRANAJES DISTRIB.MICRO
20	F01420011	ROS.M4 4,3X 16X 1 U6593 ZN	FLAT WASHER 4-3X 16X1-5 6593 G	ROND.PLATE 4-3X 16X1-5 6593 ZN	SCHLEIBE 4-3X 16X1-5 6593 ZN	ARAND. PLANA 4-3X 16X1-5 6593
21	G22220073	RONDELLA 28X0,3X16,5	WASHER 28X0-3X16-5	RONDELLE 28X0-3X16-5	UNTERLEGSCHLEIBE 28X0-3X16-5	ARANDELA 28X0-3X16-5
22	F20110706	CAV.Q.B=35 M=10X1,5 L=60	U BOLT Q.B=35 M=10X1,5 L=60	U BOLT Q.B=35 M=10X1,5 L=60	VERBINDUNG SCHLEIBENHALTERUNG S	PERNO EN U SOP. DISCO SV
23	F20110770	CAV.Q.B=80 M=14X2 L=119	U BOLT Q.B=80 M=14X2 L=119	BRIDE U M14X2X50 96X119 ZN	ANSCHLANG U M14X2X50 96X119 ZN	EL.DE EMPALME M14X2X50 96X119
24	G15110091	SCONTRO A U SP.8 2F15 165	STRIKER	BRIDE 150 MM	ANSCHLAG	ELEMENTO DE EMPALME
25	F01020229	VITE M14X2X180 U5737 8.8BR	SCR. M14X2X180 U5737 8.8BR	VIS 14X180 5737 8.G	SCHRAUBE 14X180 5737 8.G	TORNILLO 14X180 5737 8.G
26	F01020397	VITE M6X1X10 U5739 8.8ZN	SCR. M6X1X10 U5739 8.8ZN	VIS 6X10 5739 8.G ZN	SCHRAUBE 6X10 5739 8.G ZN	TORNILLO 6X10 5739 8.G ZN
27	F01020403	VITE M6X1X16 U5739 8.8ZN	SCR. M6X1X16 U5739 8.8ZN	VIS M6X1X16 U5739 8.8 ZN	SCHRAUBE M6X1X16 U5739 8.8 ZN	TORNILLO M6X1X16 U5739 8.8 ZN
28	F01020472	VITE M10X1,5X25 U5739 8.8ZN	SCR. M10X1,5X25 U5739 8.8ZN	VIS M10X1,5X25 U5739 8.8 ZN	SCHRAUBE M10X1,5X25 U5739 8.8	TORNILLO 10X25 U5739 8.8 ZN
29	F01070061	VITE A3,9X1,34X9,5 U6954 4.8NI	SCR. H3,9X1,34X9,5 U6954 4.8NI	SCR. H3,9X1,34X9,5 U6954 4.8NI	SCHRAUBE 3,9X 9,5 DIN 7981	TORNILLO 3,9X 9,5 DIN 7981
30	F01070121	VITE A3,9X1,34X9,5 U6955 4.8NI	SCR. H3,9X1,34X9,5 U6955 4.8NI	SCR. H3,9X1,34X9,5 U6955 4.8NI	VIS 3-9X 9-5 DIN 7982	SCHRAUBE 3-9X 9-5 DIN 7982
31	F01200232	DADO M6X1 U5588 6.8ZN	NUT M6X1 U5588 6.8ZN	ECROU 6 UNI 5588 6.8 ZN	MUTTER 6 UNI 5588 6.8 ZN	TUERCA 6 UNI 5588 6.8 ZN
32	F01200270	DADO M10X1,5 U5588 6.8ZN	NUT M10X1,5 U5588 6.8ZN	ECROU M10X 1,5 U5588 6.8 ZN	MUTTER M10X 1,5 U5588 6.8 ZN	TUERCA M10X 1,5 U5588 6.8 ZN
33	F01200306	DADO M14X2 U5588 6.8ZN	NUT M14X2 U5588 6.8ZN	ECROU M14X2	MUTTER M14X2	DADO M14X2
34	F01220033	DADO M10X1,5 D980 8ZN	NUT M10X1,5 D980 8ZN	ECROU M10X1,5 D980 8ZN	MUTTER M10X1,5 D980 8ZN	TUERCA M10X1,5 D980 8ZN
35	F01410088	ROS.M14 15X 28X2,5 U6592 ZN	WAS.M14 15X 28X2,5 U6592 ZB	RON.M14 15X 28X2,5 U6592 ZB	SCH.M14 15X 28X2,5 U6592 ZB	ARA.M14 15X 28X2,5 U6592 ZB
36	F02200161	COPIGLIA 3X 15 U1336 ZN	SPLIT PIN 3 X15 1336 GALVAN.	GOUPIILLE 3 X15 1336 ZN	SPLINT 3 X15 1336 ZN	PASADOR 3 X15 1336 ZN
37	F02200162	COPIGLIA 3X 20 U1336 ZN	SPLIT PIN 3 X20 1336 GALVAN.	GOUPIILLE 3 X20 1336 ZN	SPLINT 3 X20 1336 ZN	PASADOR 3 X20 1336 ZN
38	F02200194	COPIGLIA 4X 25 U1336 ZN	SPLIT PIN 4 X25 1336 GALVAN.	GOUPIILLE 4 X25 1336 ZN	SPLINT 4 X25 1336 ZN	PASADOR 4 X25 1336 ZN
39	F02100083	SPINA E.P. 5X 24 U6873 C70 BR	PIN EL. 5 X24 DIN 1481	FICHE EL. 5 X24 DIN 1481	SPANNSTIFT 5 X24 DIN 1481	CLAVIJA EL.5 X24 DIN 1481
40	F02100314	SPINA EL.5 X36 DIN 1481 INOX	PIN EL.5 X36 DIN 1481 INOX			
41	F03011081	GUARNIZIONI LABBRO DE100	LIP GASKET D100			
42	F02300017	FASCETTA STRING. 20/32 H.9	CLAMP 20/32 H.9	GAINE 20/32 H.9	KLEMME 20/32 H.9	ABRAZADERA 20/32 H.9
43	G65336041	MOLLA SPEC.ZN STRINGITUBO M80	SPEC.SPRING ZN . PIPE CLAMP M8	RESSORT SPEC. ZN SERRE-TUBE M8	SPEZIALFEDER ZN ROHRSCHELLE M8	MUELLE ESPEC. ZN APLASTA TUBOS
44	G65336046	MOLLA SPEC.ZN SCIVOLO M80	SPEC.SPRING ZN CHUTE M80	RESSORT SPEC. ZN LANCOIR M80	SPEZIALFEDER ZN RUTSCHE M80	MUELLE ESPEC. ZN PLANO INCLINA
45	G22250240	DOSATORE 8 PALE COMPL. SV	DISTRIBUTOR MICRO COMPL.			DOSIFICADOR COMPL. SV
46	G19702732					
47	G65338043	MOLLA COMP.ZN SERB. M80	ZN TANK COMP.SPRING M80	RESSORT COMPL. ZN RESERVOIR M8	DRUCKFEDER ZN BEHZLTER M80	MUELLE COMP.ZN DEPS. M80 A
48	G11475210	KIT RUOTE DENTATE Z24	KIT GEAR WHEELS Z24			
49	G66248189	DOSATORE M80	SEED METERING DEVICE M80	DOSEUR M80	DOSIERER M80	DOSIFICADOR M80
50	G66248121	BOCCOLA CON FLANGIA M80	BUSHING W/ FLANGE M80	SUPPORT AVEC BRIDE M80	BSCHSE MIT FLANSK M80	CASQUILLO CON BRIDA M80
51	G66248123	CORPO DISTRIBUZIONE M80	DISTRIBUTION CASING M80	CORPS DISTRIBUTION M80	VERTEILUNGSKTRPER	CUERPO DISTRIBUCIN M80 C
52	G66248125	GHIERA REGOLAZIONE M80	ADJUSTMENT KNURLED NUT M80	BAGUE REGLAGE M80	EINSTELLMUTTER M80	CONTRATUERCA REGULACIN M80 G
53	G66248126	SUPP.TRASMISSIONE M80	TRANSM.SUPPORT M80	SUPPORT ENTRAINEMENT M80	ANTRIEBSHALTERUNG M80	SOPORTE TRANSMISIN M80 S
54	G66248138	COPERCHIO SUPP.TRASM. M80	TRANSMISSION SUPP. COVER M80	COUVERCLE SUPPORT ENTRAINEM.	DECKEL ANTRIEBSHALTERUNGS M80	TAPA SOP. TRANSM. M80



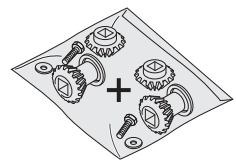
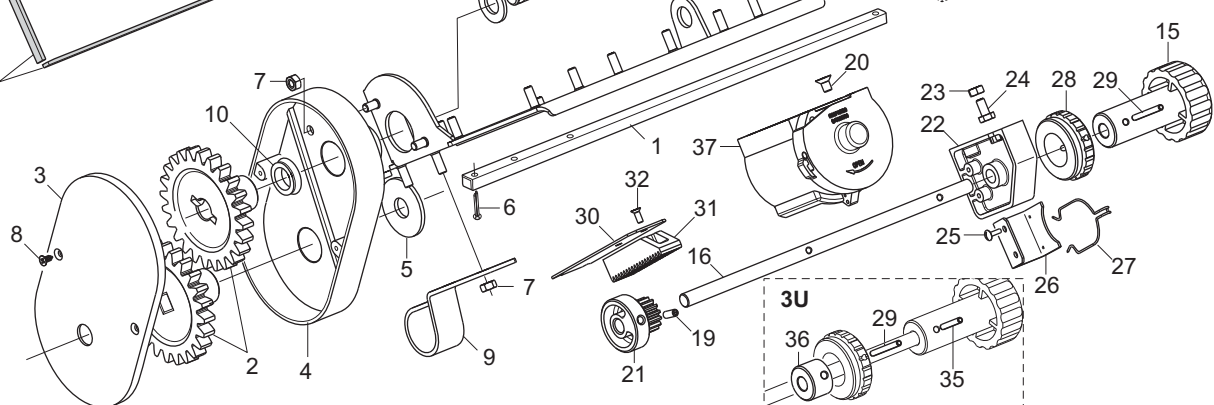
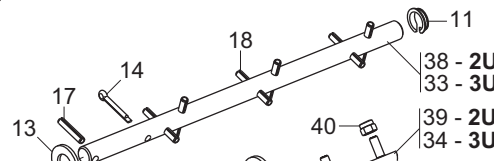
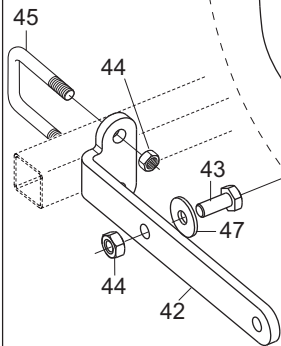
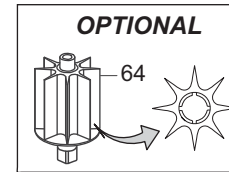
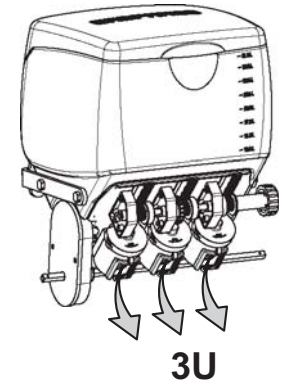
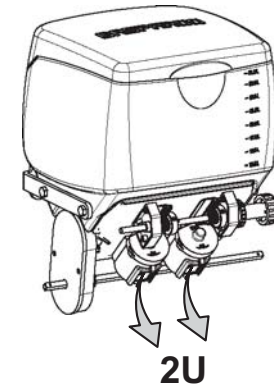
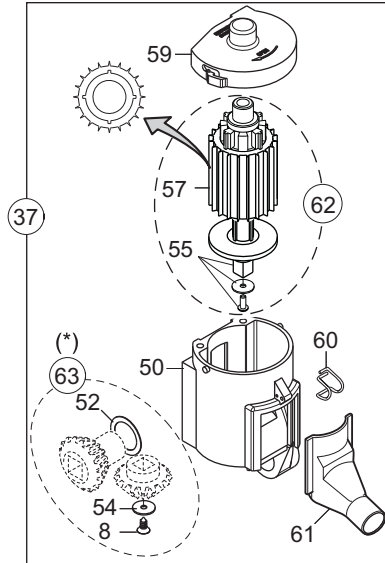
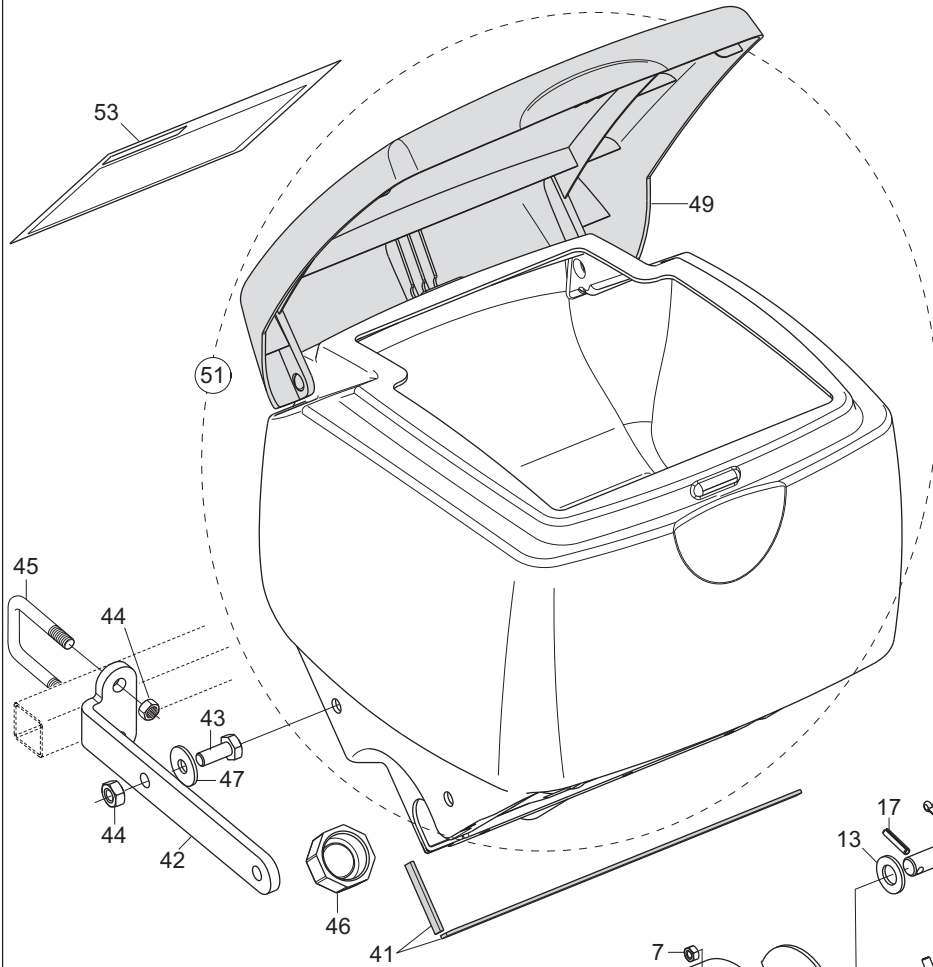
**MICROGRANULATORE «16 Litri»**

**TAV. 182**

Pos.	Cod.	Descrizione	Description	Description	Benennung	Descripcion
55	G66248154	SCIVOLO DISTR. M80	CHUTE- DISTRIB. M80	ENTONNOIR DOSEUR MINIMAX MICRO	SAAPPARAT RUTSCHE M80	PLANO INCLINADO DISTR. M80
56	G20970100	RONDELLA 30X0,5X22 ACC.	WASHER 30X0-5X22 ACC.	RONDELLE 30X0-5X22 ACIER	UNTERLEGSCHIEBE 30X0-5X22 ACC.	ARANDELA 30X0-5X22 ACC.
57	G66248223	TAPPO SUPP.SPAND.D.11	PLUG MAN. SPR. SUPP. D.11	BOUCHON SUPPORT EP. ENGRAIS D.	HALTERUNGSPFROPFEN DsNGERSTR.	TAPN SOPORTE ABON.D.11 D
58	F01020238	VITE M14X2X240 U5737 8.8BR	SCR. M14X2X240 U5737 8.8BR	VIS M 14 X240 5737 8.G	SCHRAUBE M 14 X240 5737 8.G	TORNILLO M 14 X240 5737 8.G
59	F20120346	PUNTALE Q 35ALETT.POLIT.NERO	SQ.TIP 35 BLACK			
60	G16675090	TAPPO PLASTICA MICRO C/OR	PLASTIC PLUG MICRO C/OR			
61	G20890205	MANICOTTO UNIONE MICRO L.250	MICRO JOINT SLEEVE L.250	MANCHON RACCORD MICRO L. 250	VERBINDUNGSMUFFE MIKRO L.250	MANGUITO DE UNIN MICRO L.250 M
62	G20890201	MANICOTTO UNIONE MICRO L.440	MICRO JOINT SLEEVE L.440	MANCHON RACCORD MICRO L. 440	VERBINDUNGSMUFFE MIKRO L.440	MANGUITO DE UNIN MICRO L.440 M
63	G20890111	MANIC.UNIONE RINV.MICRO L.470	MICRO TRANSM.JOINT SLEEVE L.47	MANCHON RACCORD TRANSMISSION M	VERBINDUNGSMUFFE VORGELEGE MIK	MANGUITO EMPALME TRANSM. MICRO
64	G20890130	MANICOTTO UNIONE MICRO L.550	MICRO JOINT SLEEVE	MANCHON RACCORD MICRO L. 550	VERBINDUNGSMUFFE MIKRO L 550	MANGUITO DE UNIN MICRO L.550 M
65	G20890202	MANICOTTO UNIONE MICRO L.690	MICRO JOINT SLEEVE L.690	MANCHON RACCORD MICRO L. 690	VERBINDUNGSMUFFE MIKRO L.690	MANGUITO DE UNIN MICRO L.690 M
66	G20890112	MANICOTTO UNIONE MICRO L.1110	MICRO JOINT SLEEVE L.1110	MANCHON RACCORD MICRO L. 1110	VERBINDUNGSMUFFE MIKRO L.1110	MANGUITO DE UNIN MICRO L.1110M
67	G20890203	MANICOTTO UNIONE MICRO L.1620	MICRO JOINT SLEEVE L.1620	MANCHON RACCORD MICRO L. 1620	VERBINDUNGSMUFFE MIKRO L.1620	MANGUITO DE UNIN MICRO L.1620M
68	G18701140	RONDELLA 11 X35 X5 ZN	WASHER 11 X 35 X 5	RONDELLE 11 X35 X5	UNTERLEGSCHIEBE 11 X35 X5	ARANDELA 11 X35 X5
69	G16670241	TIRANTE BARRA MICRO SP	TIE ROD BAR MICRO SP			
70	G07000028	TUBO Q. 35X 4X2980	SQUARE PIPE 35 X 35 X 3 X 2980	TUBE CARRE 35 X 35 X 3 X 2980	VIERKANTROHR 35 X 35 X 3 X 298	TUBO CUADRADO 35 X 35 X 3 X 29
71	G07000370	TUBO Q. 35X 3X3980	SQUARE PIPE 35X35X4X3980	TUBE CARRE 35X35X4X3980	VIERKANTROHR 35X35X4X3980	TUBO CUADRADO 35X35X4X3980
72	G15475540	TUBO SUPPORTO MICRO L.5100	MICRO SUPPORT PIPE L.5100	TUBE SUPPORT MICRO L5100	ROHR HALTERUNG MIKRO L.5100	TUBO SOPORTE MICRO L 51000
73	G15475400	TUBO SUPPORTO MICRO L.5800	MICRO SUPPORT PIPE L.3800	TUBE SUPPORT MICRO L5800	ROHR HALTERUNG MIKRO L.5800	TUBO SOPORTE MICRO L.5800
74	G20970142	RONDELLA 32X4X15,5	WASHER 32X4X15-5	RONDELLE 32X4X15-5	UNTERLEGSCHIEBE 32X4X15-5	ARANDELA 32X4X15-5
75	G19001802	RONDELLA-ALBERO MICRO	WASHER-SHAFT MICRO			



Serbatoio PLASTICA 30 litri  
 PLASTIC hopper 30 liters



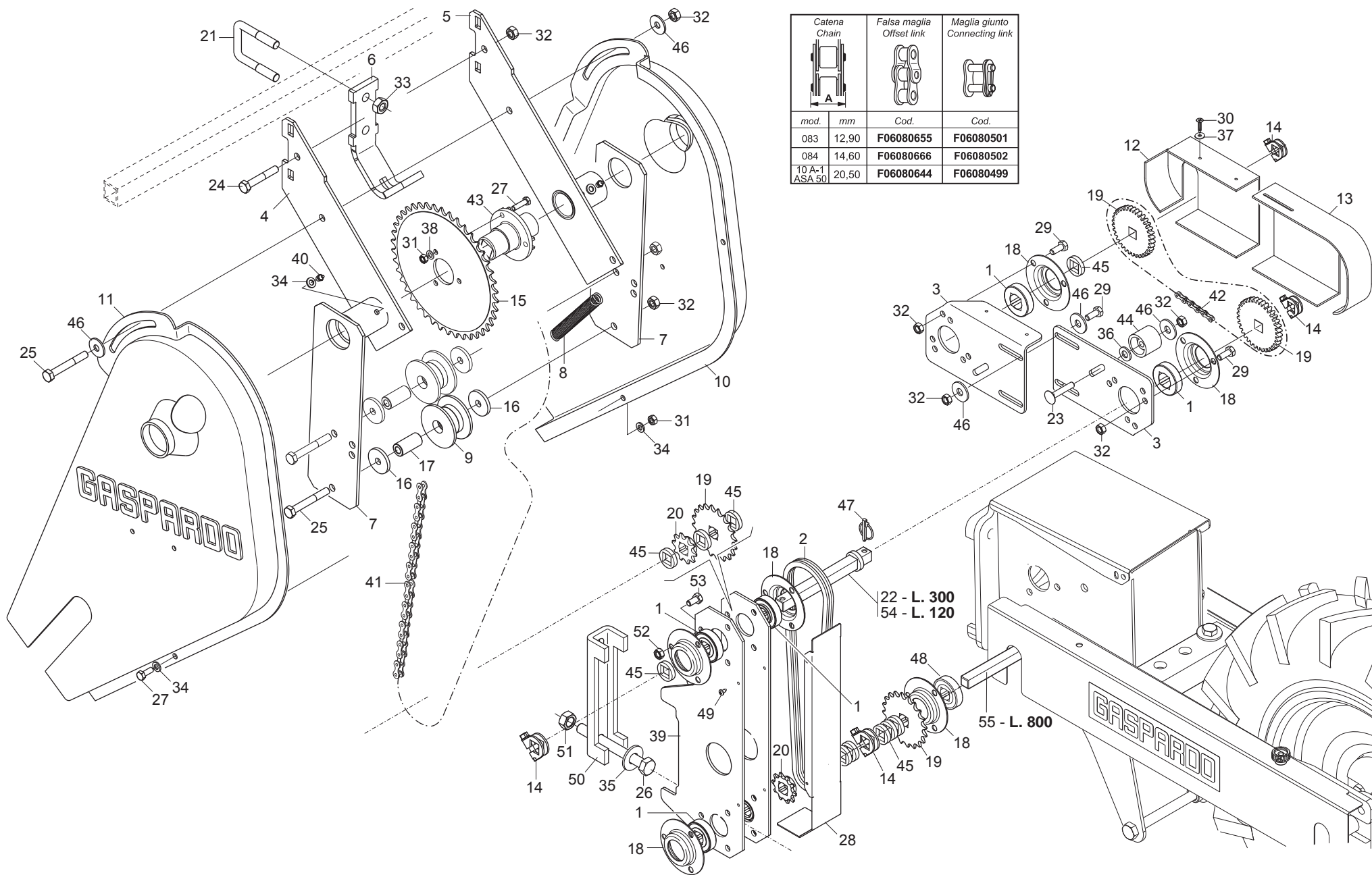
(\*) Kit = (2+2 pz.)

**MICROGRANULATORE «30 Litri»**

**TAV. 340**

Pos.	Cod.	Descrizione	Description	Description	Benennung	Descripcion
1	G11420221	ASSE TRASM.DISTR.	DISTR. TRANSMISSION AXLE			
2	G11475210	KIT RUOTE DENTATE Z24	KIT GEAR WHEELS Z24			
3	G66248138	COPERCHIO SUPP.TRASM. M80	TRANSMISSION SUPP. COVER M80	COUVERCLE SUPPORT ENTRAINEM.	DECKEL ANTRIEBSHALTERUNGS M80	TAPA SOP. TRANSM. M80
4	G66248126	SUPP.TRASMISSIONE M80	TRANSM.SUPPORT M80	SUPPORT ENTRAINEMENT M80	ANTRIEBSHALTERUNG M80	SOPORTE TRANSMISIN M80 S
5	F01420084	ROS.M14 14,5X 36X 3 U6593 ZN	GALVANIZED WASHER 14 X36 X3	RONDELLE 14 X36 X3 ZN	UNTERLEGSSCHEIBE 14 X36 X3 ZN	ARANDELA 14 X36 X3 ZN
6	F02200162	COPIGLIA 3X 20 U1336 ZN	SPLIT PIN 3 X20 1336 GALVAN.	GOUPILLE 3 X20 1336 ZN	SPLINT 3 X20 1336 ZN	PASADOR 3 X20 1336 ZN
7	F01200232	DADO M6X1 U5588 6.8ZN	NUT M6X1 U5588 6.8ZN	ECROU 6 UNI 5588 6.8 ZN	MUTTER 6 UNI 5588 6.8 ZN	TUERCA 6 UNI 5588 6.8 ZN
8	F01070122	VITE A3,9X1,34X13 U6955 4.8NI	SCR. H3,9X1,34X13 U6955 4.8NI	VIS M3,9X1,34X13 U6955 4.8NI	SCHRA.M3,9X1,34X13 U6955 4.8NI	TORN.M3,9X1,34X13 U6955 4.8NI
9	G11435240	SUPPORTO ASSE CARTER	CARTER AXLE SUPPORT			
10	F03011081	GUARNIZIONI LABBRO DE100	LIP GASKET D100			
11	F04150042	BOCCOLA CLIP IGUS MCM-14-03	BUSH CLIP IGUS MCM-14-03			
12	G18903191	MOLLA SPEC.ZN DISCESA MICRO	SPEC.SPRING ZN MICRO GUIDE	RESSORT SPEC. ZN GUIDE MICRO	SPEZIALFEDER ZN F_HR.MIKRO	MUELLE ESPEC. ZN GUA MICRO
13	F01410088	ROS.M14 15X 28X2,5 U6592 ZN	WAS.M14 15X 28X2,5 U6592 ZB	RON.M14 15X 28X2,5 U6592 ZB	SCH.M14 15X 28X2,5 U6592 ZB	ARA.M14 15X 28X2,5 U6592 ZB
14	F02200194	COPIGLIA 4X 25 U1336 ZN	SPLIT PIN 4 X25 1336 GALVAN.	GOUPILLE 4 X25 1336 ZN	SPLINT 4 X25 1336 ZN	PASADOR 4 X25 1336 ZN
15	G19003670	MANOPOLA SPEEDY SET	SPEEDY HANDLE SET	POIGN+E SPEEDY SET	GRIFF SPEEDY SET	EMPUDADURA SPEEDY SET
16	G17772900	ALBERO REGOLAZIONE SPEEDY SET	ADJUSTING AXLE SPEEDY SET			
17	F02100083	SPINA E.P. 5X 24 U6873 C70 BR	PIN EL. 5 X24 DIN 1481	FICHE EL. 5 X24 DIN 1481	SPANNSTIFT 5 X24 DIN 1481	CLAVIJA EL.5 X24 DIN 1481
18	F02100314	SPINA EL.5 X36 DIN 1481 INOX	PIN EL.5 X36 DIN 1481 INOX			
19	F01050083	VITE M5X0,8X12 U5927 A2IX	SCR. M5X0,8X12 U5927 A2IX	GOUJON 5X12 UNI 5927	STIFT 5X12 UNI 5927	TORNILLO SIN CABEZA 5X12 5927
20	F01030041	VITE M6X1X10 U5933 10.9ZD	SCREW M6X1X10 U5933 10.9ZD	VIS M6X1X10 U5933 10.9ZD	SCHRAU. M6X1X10 U5933 10.9ZD	TORNILLO M6X1X10 U5933 10.9ZD
21	G19003680	INGRANAGGIO Z.15	GEAR Z 15	ENGRENAGE Z 15	ZAHNRAD Z 15	ENGRANAJE Z 15
22	G19003660	SUPPORTO	SUPPORT	HALTERUNG	MUTTER M 6X 1 U5588	SOPORTE
23	F01200233	DADO M6X1 U5588 A2IX	NUT M6X1 U5588 A2IX	ECROU M 6X 1 U5588 I	SCHRAUBE M6X1X12 U5739 A2 IX	TUERCA M 6X 1 U5588
24	F01020417	VITE M6X1X12 U5739 A2IX	SCR. M6X1X12 U5739 A2IX	VIS M6 X1 X12 U5739 A2 IX		TORNILLO M6X1 X12 U5739 A2 IX
25	F01080022	VITE M3X0,5X10 U7688 4.8ZN	SCR. M3X0,5X10 U7688 4.8ZN			
26	G16670310	SUPPORTO MOLLA REGOLATORE	ADJ.SPRING SUPPORT			
27	G65336055	MOLLA SPEC.REGOL.SPAND. SP	SPEC SPRING MAN. SPR. ADJUSTM.	RESSORT SPEC. REGL. EP. ENTRA	SPEZIALFEDER STREUEREINSTELLUN	MUELLE ESPEC. REGUL. ABONADORA
28	F19003720	GHIERA REGOLAZIONE SX	LEFT ADJUSTMENT KNURLED NUT	MANCHON DE REGLAGE GCH	EINSTELLMUTTER LINKS	ROSCA REGULACION IZQUIERDA
29	F02100066	SPINA E.P. 4X 36 U6873 C70 BR	PIN EL. 4X 36 U6873 C70 BR			
30	G17772140	REGOLATORE APERTURA MICRO	AIR REGULATOR			
31	F19003690	CREMAGLIERA	RACK	CREMAILLIERE	ZAHNSTANGE	CREMALLERA
32	F01080032	VITE M4X0,7X10 U7688 A2IX	SCR. M4X0,7X10 U7688 A2IX	VIS M4X 0,7X10 U7688 A2 IX	SCHRAUBE M4X 0,7X10 7688 A2 IX	TORNILLO M4X0.7X10 U7688 A2 IX
33	G15276110	ASSE AGITATORE SERB.30L 3U	STIRRER SPINDLE 30L 3U			
34	G15276120	PIASTRA DOSATORI 3U	MICRO DISTR.PLATE 3U			
35	F02100062	SPINA E.P. 4X 24 U6873 C70 BR	PIN EL. 4 X24 DIN 1481	FICHE EL. 4 X24 DIN 1481	SPANNSTIFT 4 X24 DIN 1481	CLAVIJA EL.4 X24 DIN 1481
36	G17772550	BOCCOLA 10,4 X25 X16 FORO 5 ZN	BUSHING D10,4X25X16 HOLE 5 ZN			
37	G11400060	DISTRIBUTORE MICRO SPEEDY SET	DISTRIBUTOR MICRO SPEEDY SET			
38	G15276160	ASSE AGITATORE SERB.30L 2U	STIRRER SPINDLE 30L 2U			
39	F15276130	PIASTRA DOSATORI 2U	MICRO DISTR.PLATE 2U			
40	F01230024	DADO M6X1 D982 A2IX	NUT M6X1 D982 A2IX	ECROU AUTOB.NOR.10	SELBSTSP. MUTTER NOR. 10	TUERCA AUTOB. NOR. 10
41	F07100132	MOUSSE ADESIVA MM 5X3	ADHESIVE MOUSSE MM 5X3			
42	G15475271	SUPPORTO MICRO	MICRO SUPPORT	SUPPORT MICROGRANULATEUR	HALTERUNG MICRO	SOPORTE MICRO
43	F01020472	VITE M10X1,5X25 U5739 8.8ZN	SCR. M10X1,5X25 U5739 8.8ZN	VIS M10X1,5X25 U5739 8.8 ZN	SCHRAUBE M10X1,5X25 U5739 8.8	TORNILLO 10X25 U5739 8.8 ZN
44	F01200270	DADO M10X1,5 U5588 6.8ZN	NUT M10X1,5 U5588 6.8ZN	ECROU M10X 1,5 U5588 6.8 ZN	MUTTER M10X 1,5 U5588 6.8 ZN	TUERCA M10X 1,5 U5588 6.8 ZN
45	F20110706	CAV.Q.B=35 M=10X1,5 L=60	U BOLT Q.B=35 M=10X1,5 L=60	CAVALIER SUPPORT DISQUE SV	VERBINDUNG SCHEIBENHALTERUNG S	PERNO EN U SOP. DISCO SV
46	G16675090	TAPPO PLASTICA MICRO C/OR	PLASTIC PLUG MICRO C/OR			
47	F01420060	ROS.M10 10,5X 30X2,5 U6593 ZN	WASHER 10,5X30	RONDELLE 10,5X30	SCHEIBE 10,5X30	ARANDELA 10,5X30
48	F02300017	FASCETTA STRING. 20/32 H.9	CLAMP 20/32 H.9	GAINÉ 20/32 H.9	KLEMMÉ 20/32 H.9	ABRAZADERA 20/32 H.9
49	G19006413	COPERCHIO SERB.MICRO DELTA	TANK COVER MICRO DELTA			
50	G66248123	CORPO DISTRIBUZIONE M80	DISTRIBUTION CASING M80	CORPS DISTRIBUTION M80	VERTEILUNGSKTRPER	CUERPO DISTRIBUCIN M80 C
51	G19006600	SERBATOIO MICRO 30L	TANK MICRO 30L			
52	G20970100	RONDELLA 30X0,5X22 ACC.	WASHER 30X0-5X22 ACC.	RONDELLE 30X0-5X22 ACIER	UNTERLEGSSCHEIBE 30X0-5X22 ACC.	ARANDELA 30X0-5X22 ACC.
53	G19708541					
54	F01420011	ROS.M4 4,3X 16X 1 U6593 ZN	FLAT WASHER 4-3X 16X1-5 6593 G	ROND.PLATE 4-3X 16X1-5 6593 ZN	SCHEIBE 4-3X 16X1-5 6593 ZN	ARAND. PLANA 4-3X 16X1-5 6593
55	G19001802	RONDELLA-ALBERO MICRO	WASHER-SHAFT MICRO			
56	G65336041	MOLLA SPEC.ZN STRINGITUBO M80	SPEC.SPRING ZN PIPE CLAMP M8	RESSORT SPEC. ZN SERRE-TUBE M8	SPEZIALFEDER ZN ROHRSCHELLE M8	MUELLE ESPEC. ZN APLASTA TUBOS
57	G66248189	DOSATORE M80	SEED METERING DEVICE M80	DOSEUR M80	DOSIERER M80	DOSIFICADOR M80
58	G15870251	TUBO DISCESA MICRO ORTAG.COMPL	COMP SEEDING DEL.TUBE MICRO ORTAG			
59	G19006390	COPERCHIO DISTR.MICRO SPEEDY S	DISTR.TOR COVER MICRO SPEEDY S			
60	G65336046	MOLLA SPEC.ZN SCIVOLO M80	SPEC SPRING ZN CHUTE M80	RESSORT SPEC. ZN LANCOIR M80	SPEZIALFEDER ZN RUTSCHE M80	MUELLE ESPEC. ZN PLANO INCLINA
61	G66248154	SCIVOLO DISTR. M80	CHUTE- DISTRIB. M80	ENTONNOIR DOSEUR MINIMAX MICRO	SAAPPARAT RUTSCHE M80	PLANO INCLINADO DISTR. M80
62	G20890158	DOSATORE MICRO COMPL.	ROTOR DIST. MICRO 20 GROOVES	ROTOR DOSEUR 20C MICRO COMPL.	DOSIERER MIKRO KOMPL. 20 SEKT	DOSIFICADOR MICRO COMPL.20 SEC
63	G20890211	KIT INGRANAGGI DISTRIB.MICRO	DISTRIBUTION GEAR KIT MICRO			KIT ENGRANAJES DISTRIB.MICRO
64	G22250240	DOSATORE 8 PALE COMPL. SV	DISTRIBUTOR MICRO COMPL.			DOSIFICADOR MICRO COMPL. SV

# TAV. 192

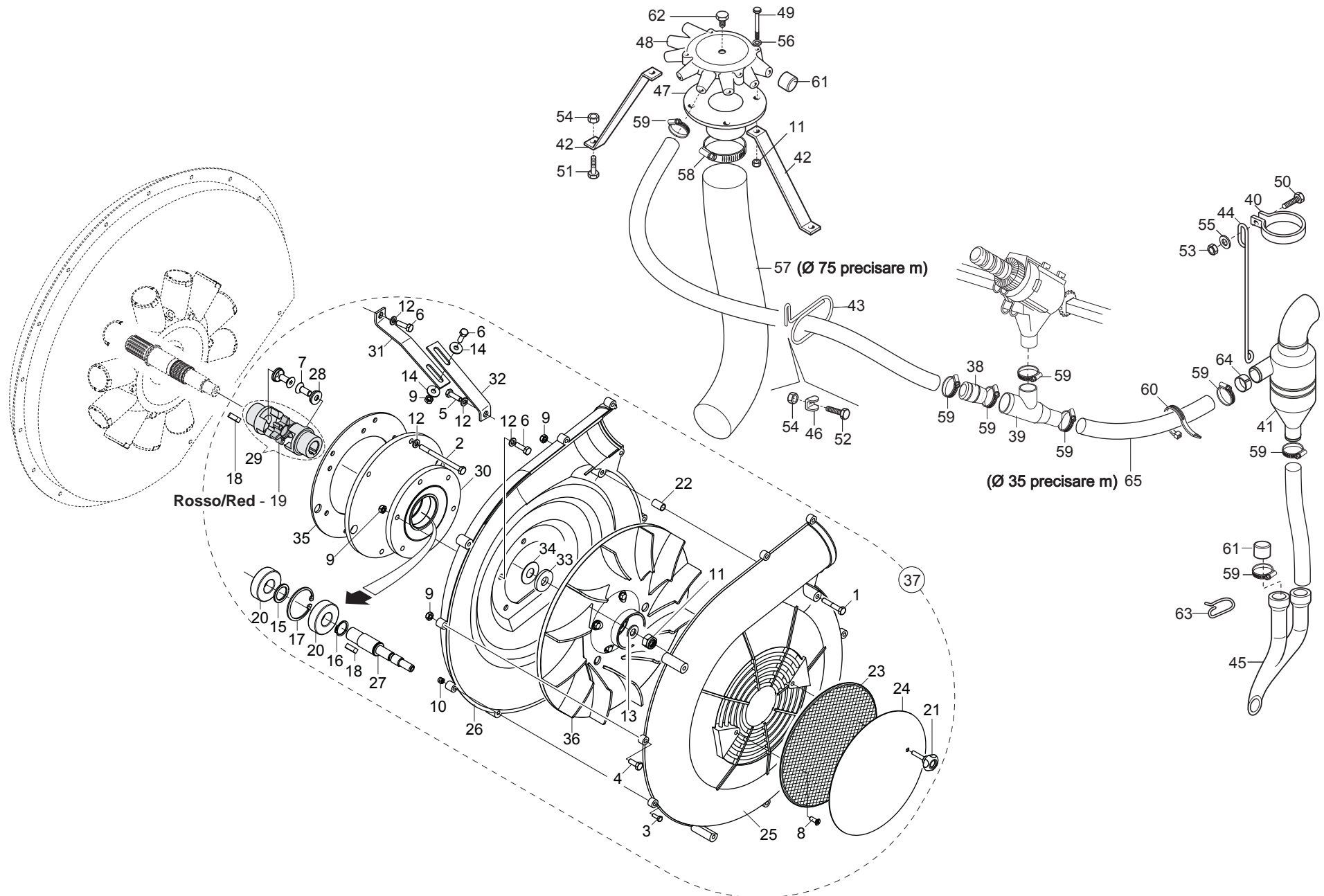


# TRASMISSIONE SPANDICONCIME E MICROGRANULATORE

TAV. 192

Pos.	Cod.	Descrizione	Description	Description	Benennung	Descripcion
1	G14830390	CUSCINETTO FORO QUADRO	SQUARE-HOLED BEARING	ROULEMENT TROU CARRE	VIERKANTLAGER	COJINETE ORIFICIO CUADRADO
2	F06080024	CATENA 1/2 ISO 083 55 MAGLIE	CUT-DOWN CHAIN.1/2-3/16 55	TR. CH.1/2-3/16 55 MAILLES	KETTENZLNGE 1/2-3/16 55 GLIEDE	TRECHO CADENA 1/2-3/16 55 ES LA
3	G15470851	FIANCO SUPP.TRASM.SPANDI	SPREADER TRANSM. SIDE SUPPORT	COTE SUPPORT TRANSM. EPAND.	SEITEN HALTER. ANTRIEB DUNGERS	COSTADO SOPORTE TRANSM. ABONAD
4	G15476880	RIBADITURA SUPP.TRASM.SX	LH TRANSMISSION SUPPORT			
5	G15476890	RIBADITURA SUPP.TRASM.DX	RH TRANSMISSION SUPPORT			
6	G15476390	SCONTRIO CENTRALE	CENTRAL PLATE			
7	G15475311	SUPPORTO RULLINI TENDIC. MICRO	MICRO CHAIN STRETCHER ROLLERS			
8	G18902960	MOLLA TRAZ. TRASM.RUOTA ZN	TRANSMISSION TENSIONER SPRING	RESSORT TRACT. ENTRAIN. ROUE Z	ZUGFEDER RADANTRIEB ZN	MUELLE TRAC. TRANSM.RUEDA ZN
9	G19000091	ROCCHETTO 2 META'	CHAIN TENSIONER	TENDEUR DE CHAINE 2 MOITIE	KLEINRAD SPANNER SA	CARRETE TENSOR SA
10	G19002810	CARTER RINVIO MICRO DX	RIGHT MICRO TRANSM. CASE	CARTER TRANSM. MICRO DRT	VORGELEGEGEHZUSE MIKRO RE	CæRTER TRANSMISIN MICRO DER C
11	G19002820	CARTER RINVIO MICRO SX	LEFT MICRO TRANSM. CASE	CARTER TRANSM. MICRO GCH	VORGELEGEGEHZUSE MIKRO LI	CæRTER TRANSMISIN MICRO IZQ C
12	G19002830	CARTER TRASMISSIONE SUPERIORE	TOP TRANSMISSION CASE	CARTER ENTRAINEMENT SUPERIEUR	OBERES ANTRIEBSGEHZUSE	CæRTER TRANSMISIN SUPERIOR C
13	G19002880	CARTER INFERIORE TRASM.SPAND.	BOTTOM SPREADER TRANSM. CASE	CARTER INFERIEUR TRANSM EPAND.	UNTER. ANTRIEBSGEHZUSE DsNG.GE	CæRTER INFER. TRANSMISIN ABONC
14	G22505085	FERMO ASSE IN LAMIERA	PLATE AXLE STOP	ARRET AXE EN TOLE	FESTSTELLVORRICHTUNG BLECHACHS	BLOQUEO EJE DE CHAPA
15	G20890128	CORONA Z-42 SP	RING GEAR Z-42 SP	COURONNE Z-42 SP	KRANZ Z-42 SP	CORONA Z-42 SP
16	G18700320	RONDELLA 8,5 X32 X4 ZN	WASHER 8,5 X32 X4 GALV.ED			
17	G20980086	BOCCOLA.DIST.D.8,5X16X31	BUSHING SPAC..D.8-5X16X31	BOITE ENTRETOISE D. 8-5X16X31	VERTEILERBsCHSE D.8-5X16X31	CASQUILLO DIST. D.8-5X16X31
18	G22230094	SUPPORTO CUSCINETTO	BEARING SUPPORT	SUPPORT PALIER	LAGERBsCHSE	SOPORTE COJINETE
19	G22250007	INGR.CON MOZZO 1/2 Z-20 SV	GEARS- W/ HUB 1/2 Z-20 SV	ENGRENAGE 1/2 Z-20	ZAHNRAD MIT NABE 1/2 Z-20 SV	ENGRAN.CON PERNO 1/2 Z-20 SV
20	G22250006	INGR.CON MOZZO 1/2 Z-10 SV	GEARS- W/ HUB 1/2 Z-10 SV	ENGRENAGE AVEC MOYEU 1/2 Z-10	ZAHNRAD MIT NABE 1/2 Z-10 SV	ENGRAN.CON PERNO 1/2 Z-10 SV
21	F20110706	CAV.Q.B=35 M=10X1,5 L=60	U BOLT Q.B=35 M=10X1,5 L=60	CAVALIER SUPPORT DISQUE SV	VERBINDUNG SCHEIBENHALTERUNG S	PERNO EN U SOP. DISCO SV
22	G22270127	ASSE RUOTA CAMBIO 2F.L.500 SP	WHEEL AXLE - GEARBOX 2-ROW L.	AXE ROUE BOITE DE VITESSE	GEBTRIEBERADACHSE 2R.L.500 SP	EJE RUEDA CAMBIO 2 FILAS. L.500
23	F01060047	VITE M8X1,25X45 U5731 8.8ZN	SCR. M8X1,25X45 U5732 4.6ZN	VIS 8X45 5732 4.6 ZN	SCHRAUBE 8X45 5732 4.6 ZN	TORNILLO 8X45 5732 4.6 ZN
24	F01020072	VITE M8X1,25X50 U5737 8.8ZN	SCR. M8X1,25X50 U5737 8.8ZN	VIS M8X1,25X50 U5737 8.8 ZN	SCHR. M8X1,25X50 U5737 8.8 ZN	TORN. M8X1,25X50 U5737 8.8 ZN
25	F01020077	VITE M8X1,25X60 U5737 8.8ZN	SCR. M8X1,25X60 U5737 8.8ZN	VIS M8X1,25X60 U5737 8.8 ZN	SCHRAU. M8X1,25X60 U5737 8.8ZN	TORN. M8X1,25X60 U5737 8.8 ZN
26	F01020225	VITE M14X2X160 U5737 8.8BR	SCR. M14X2X160 U5737 8.8BR	VIS M 14 X160 5737 8.G	SCHRAUBE M 14 X160 5737 8.G	TORNILLO M 14 X160 5737 8.G
27	F01020403	VITE M6X1X16 U5739 8.8ZN	SCR. M6X1X16 U5739 8.8ZN	VIS M6X1X16 U5739 8.8 ZN	SCHRAUBE M6X1X16 U5739 8.8 ZN	TORNILLO M6X1X16 U5739 8.8 ZN
28	G15875320	CARTER RINVIO	INTERMEDIATE CASE	CARTER TRANSMISSION	VORGELEGEGEHZUSE	CµRTER TRANSMISIN
29	F01020436	VITE M8X1,25X20 U5739 8.8ZN	SCR. M8X1,25X20 U5739 8.8ZN	VIS M8X1,25X 20 U5739 8.8 ZN	SCHRAUBE M8X1,25X20U5739 8.8ZN	TORN. M8X1,25X20 U5739 8.8 ZN
30	F01070074	VITE A4,2X1,41X25 U6954 4.8NI	SCR. H4,2X1,41X25 U6954 4.8NI	VIS 4-2X25 DIN 7981	SCHRAUBE 4-2X25 DIN 7981	TORNILLO 4-2X25 DIN 7981
31	F01200232	DADO M6X1 U5588 6.8ZN	NUT M6X1 U5588 6.8ZN	ECROU 6 UNI 5588 6.8 ZN	MUTTER 6 UNI 5588 6.8 ZN	TUERCA 6 UNI 5588 6.8 ZN
32	F01200244	DADO M8X1,25 U5588 6.8ZN	NUT M8X1,25 U5588 6.8ZN	ECROU M8 X1,25 U5588 6.8 ZN	MUTTER M8 X1,25 U5588 6.8 ZN	TUERCA M8 X1,25 U5588 6.8 ZN
33	F01200270	DADO M10X1,5 U5588 6.8ZN	NUT M10X1,5 U5588 6.8ZN	ECROU M10X 1,5 U5588 6.8 ZN	MUTTER M10X 1,5 U5588 6.8 ZN	TUERCA M10X 1,5 U5588 6.8 ZN
34	F01410037	ROS.M6 6,4X12,5X1,6 U6592 ZN	WASHER M6 6,4X12,5X1,6 U6592ZN	RONDEL.M6 6,4X12,5X1,6 U6592ZN	SCHIEB.M6 6,4X12,5X1,6 U6592ZN	ARAND.M6 6,4X12,5X1,6 U6592 ZN
35	G20970142	RONDELLA 32X4X15,5	WASHER 32X4X15-5	RONDELLE 32X4X15-5	UNTERLEGSCHIEBE 32X4X15-5	ARANDELA 32X4X15-5
36	F01410064	ROS.M10 10,5X 20X 2 U6592 ZN	WASHER M10 10,5X20X2 U6592 ZN	RONDEL. M10 10,5X20X2 U6592 ZN	SCHIEBE M10 10,5X20X2 U6592 ZN	ARANDEL.M10 10,5X20X2 U6592 ZN
37	F01420011	ROS.M4 4,3X 16X 1 U6593 ZN	FLAT WASHER 4-3X 16X1-5 6593 G	ROND.PLATE 4-3X 16X1-5 6593 ZN	SCHIEBE 4-3X 16X1-5 6593 ZN	ARAND. PLANA 4-3X 16X1-5 6593
38	F01430047	ROS.M6 6,4X 11X0,7 U8842J ZN	WASHER D6 DIN 6798 D.INT.GALV.	RONDELLE D6 DIN 6798 D. INT. Z	UNT. SCHEIBE D6 DIN 6798 D. IN	ARANDELA D6 DIN 6798 D.INT.ZN
39	G15875310	RINVIO TRASMISSIONE	TRANSMISSION DRIVE ASS.	GR. RENVOI TRANSMISSION	VORGELEGE ANTRIEB	CONJ. REENV-O TRANSMISI-N
40	F01100011	ING.M 6X1 7663-A 9SMNPB28 ZN	GREASE NIPPLE M6X1 7663-A ZN	GRAISS. A BILLE M6X1 7663A ZN	SCHMIERBUECHHE M6X1 7663-A ZN	ENGRAS. DE ESFE. M6X1 7663-AZN
41	F06080057	CATENA 1/2 ISO 083 107 MAGLIE	CHAIN ISO 083 107 LINKS	CHAINE ISO 083 107 MAILLES	KETTE ISO 083 107 GLIEDER	CADENA ISO 083 107 ESLABNE L
42	F06080025	CATENA 1/2 ISO 083 56 MAGLIE	CHAIN 1/2-3/16 56 LINKS.	CHAINE 1/2-3/16 56 MAILLES	KETTE 1/2-3/16 56 GLIEDER	CADENA 1/2-3/16 56 ESLABNE
43	G66248152	MOZZO TRASM.MICRO M80	HUB - TRANSM. MICRO M80	MOYEU ENTRAINEMENT MICRO M80	ANTRIEBSNABE MIKRO M80	CUBO TRANSM. MICRO M80
44	G66248207	TENDICATENA SPAND. SP-520	CHAIN TENSIONER	TENDEUR DE CHAINE EPAND. ENGR.	KETTENSPELLER DsNGERSTR. SP-52	TENSOR DE CADENA ABON. SP-520
45	G66248218	RONDELLA DISTAN.SPANDI	MAN. SPR. SPACER WASHER	RONDELLE ENTRETOISE EP. ENGRAI	ABSTANDSCHIEBE DsNGERSTREUER	ARANDELA DISTAN.ABONAD.
46	F01420048	ROS.M8 8,4X 24X 2 U6593 ZN	WASHER M8 8,4X 24X2 U6593 ZN	RONDELLE M8 8,4X24X 2 U6593 ZN	SCHIEBEN M8 8,4X24X 2 U6593 ZN	ARANDELA M8 8,4X 24X2 U6593 ZN
47	F02200452	SPINA SCATTO D.4,4 B/80 ZN	SNAP PIN D4.4 B/80 ZN	FICHE A DETENTE D4.4 B/80 ZN	EINRASTSTIFT D4.4 B/80 ZN	CLAVIJA DE MUELLE D4,4 B/80 ZN
48	G10538351	CUSCINETTO F.Q. RIBASSATO	SQUARE HOLE BEARING	PALIER TROU CARRE	LAGER VIERKANTLOCH	COJINETE ORIFICIO CUADRADO
49	F01070073	VITE A4,2X1,41X9,5 U6954 4.8NI	SCR. H4,2X1,41X9,5 U6954 4.8NI			
50	G15110091	SCONTRIO A U SP.8 2F15 165	STRIKER	BRIDE 150 MM	ANSCHLAG	ELEMENTO DE EMPALME
51	F01200306	DADO M14X2 U5588 6.8ZN	NUT M14X2 U5588 6.8ZN	ECROU M14X2	MUTTER M14X2	DADO M14X2
52	F01200244	DADO M8X1,25 U5588 6.8ZN	NUT M8X1,25 U5588 6.8ZN	ECROU M8 X1,25 U5588 6.8 ZN	MUTTER M8 X1,25 U5588 6.8 ZN	TUERCA M8 X1,25 U5588 6.8 ZN
53	F01020432	VITE M8X1,25X16 U5739 8.8ZN	SCR. M8X1,25X16 U5739 8.8ZN	VIS M8 X1,25X16 U5739 8.8 ZN	SCHRAUBE M8X1,25X16U5739 8.8ZN	TORNILLO M8X1,25X16U5739 8.8ZN
54	G15870380	ASSE TRASM.L.120	TRANSMISSION AXLE L.120	AXE TRANSMISSION L.120	sBERTRAGUNGSSACHSE L.120	EJE TRANSMISI N L.120
55	G22230142	ASSE 4 FILE L.800	4-ROW SPINDLE L.800	AXE 4 RANGEES L. 800	ACHSE 4 REIHEN L. 800	EJE 4 FILAS L.800



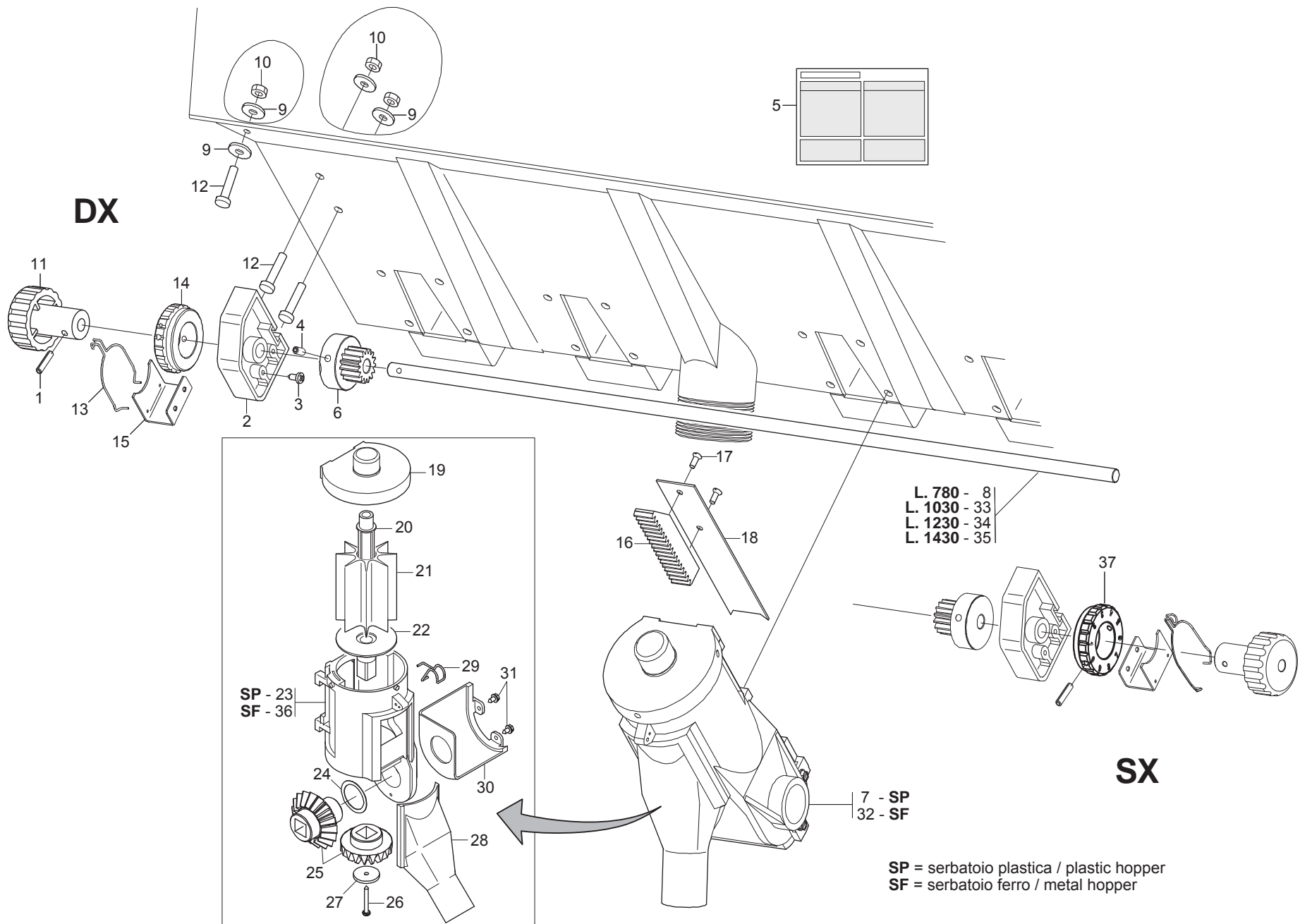




# CONCIMAZIONE PNEUMATICA

TAV. 202

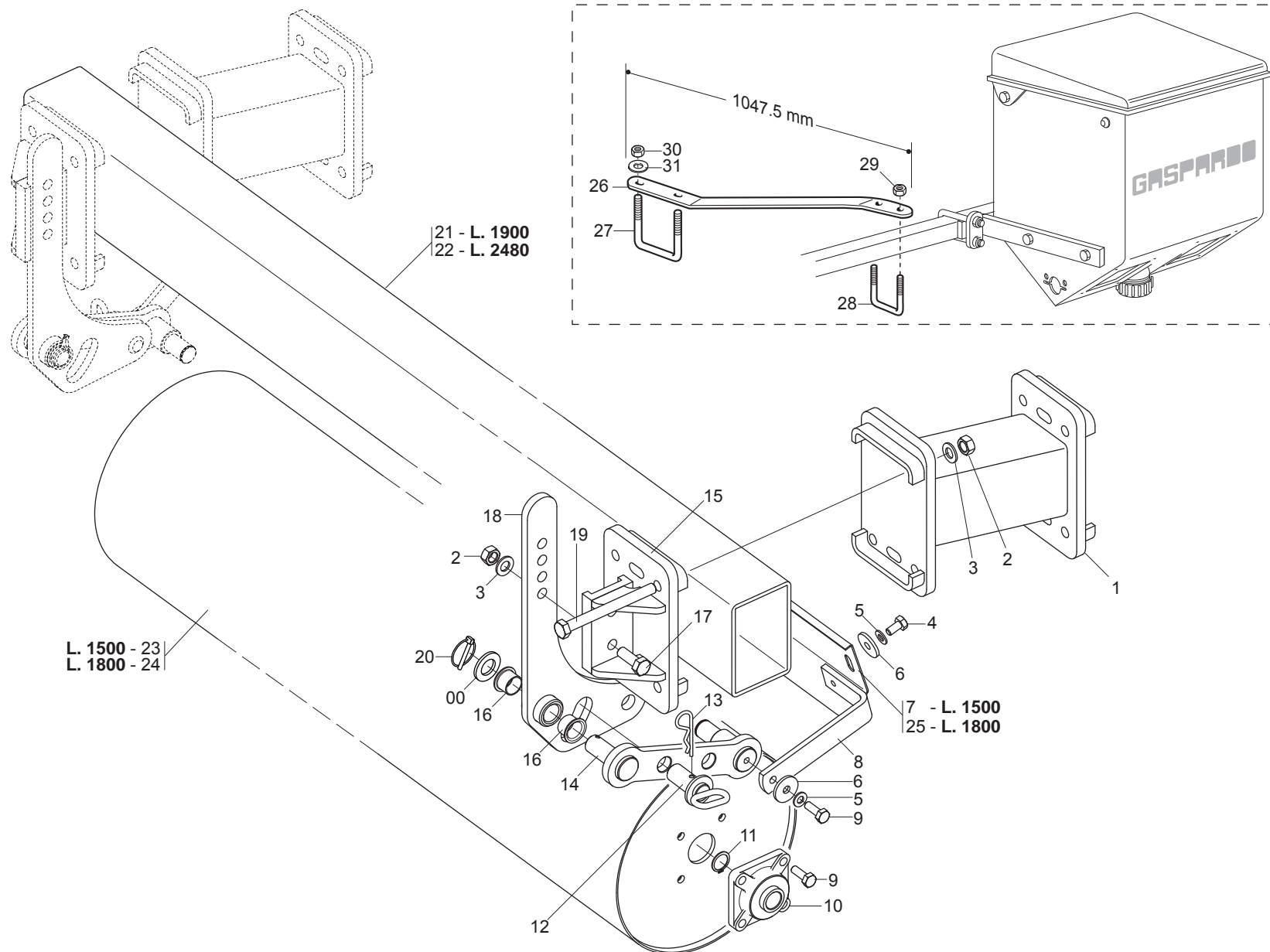
Pos.	Cod.	Descrizione	Description	Description	Benennung	Descripcion
1	F01020039	VITE M6X1X35 U5737 8.8ZN	SCR. M6X1X35 U5737 8.8ZN	VIS 6 X35 5737 8.G ZN	SCHRAUBE 6 X35 5737 8.G ZN	TORNILLO 6 X35 5737 8.G ZN
2	F01020050	VITE M6X1X80 U5737 8.8ZN	SCR. M6X1X80 U5737 8.8ZN	VIS 6 X80 5737 8.G ZN	SCHRAUBE 6 X80 5737 8.G ZN	TORNILLO 6 X80 5737 8.G ZN
3	F01020362	VITE M4X0,7X12 U5739 8.8ZN	SCR. M4X0,7X12 U5739 8.8ZN	VIS 4X12 5739 8.G ZN	SCHRAUBE 4X12 5739 8.G ZN	TORNILLO 4X12 5739 8.G ZN
4	F01020398	VITE M6X1X12 U5739 8.8ZN	SCR. M6X1X12 U5739 8.8ZN	VIS M6X 1X12 U5739 8.8 ZN	SCHRAUBE M6X 1X12 U5739 8.8 ZN	TORNILLO M6X 1X12 U5739 8.8 ZN
5	F01020403	VITE M6X1X16 U5739 8.8ZN	SCR. M6X1X16 U5739 8.8ZN	VIS M6X1X16 U5739 8.8 ZN	SCHRAUBE M6X1X16 U5739 8.8 ZN	TORNILLO M6X1X16 U5739 8.8 ZN
6	F01020404	VITE M6X1X20 U5739 8.8ZN	SCREW M6X1X20 U5739 8.8ZN	VIS M6X1X20 U5739 8.8ZN	SCHRAUBE M6X1X20 U5739 8.8ZN	TORNILLO M6X1X20 U5739 8.8ZN
7	F01030055	VITE M8X1,25X20 U5933 10.9ZD	SCR. M8X1,25X20 U5933 10.9ZD	VIS M 8X20	SCHRAUBE M 8X20	TORNILLO M 8X20
8	F01080044	VITE M5X0,8X14 U7688 4.8ZN	SCR. M5X0,8X14 U7688 4.8ZN	VIS 5 X14 7688 ZN	SCHRAUBE 5 X14 7688 ZN	TORNILLO 5 X14 7688 ZN
9	F01220011	DADO M6X1 D980 8ZN	NUT M6X1 D980 8ZN	ECROU M6X1 D980 8 ZN	MUTTER M6X1 D980 8 ZN	TUERCA M6X1 D980 8 ZN
10	F01230016	DADO M4X0,7 D982 8ZN	NUT M4X0,7 D982 8ZN	ECROU AUTOB.NOR.4 ZN	SELBSTSP. MUTTER NOR. 4 ZN	TUERCA AUTOB. NOR. 4 ZN
11	F01230048	DADO M10X1,5 D982 8ZN	NUT M10X1,5 D982 8ZN	ECR.AUTO-FREIN.M10X1,5 D982 ZN	SICHERUNGSMUTT.M10X1,5 D982 ZN	TUERCA SEGURID.M10X1,5 D982 ZN
12	F01410037	ROS.M6 6,4X12,5X1,6 U6592 ZN	WASHER M6 6,4X12,5X1,6 U6592ZN	RONDEL.M6 6,4X12,5X1,6 U6592ZN	SCHEIB.M6 6,4X12,5X1,6 U6592ZN	ARAND.M6 6,4X12,5X1,6 U6592 ZN
13	F01410064	ROS.M10 10,5X 20X 2 U6592 ZN	WASHER M10 10,5X20X2 U6592 ZN	RONDEL. M10 10,5X20X2 U6592 ZN	SCHEIBE M10 10,5X20X2 U6592 ZN	ARANDEL.M10 10,5X20X2 U6592 ZN
14	F01420036	ROS.M6 6,4X 18X1,5 U6593 ZN	WASHER M6 6,4X 18X1,5 U6593 ZN	RONDELLE M6 6,4X18X1,5 U6593ZN	SCHEIBEN M6 6,4X18X1,5U6593ZN	ARANDELA M6 6,4X18X1,5U6593ZN
15	F01440012	ROS. 20X28X 2 D988 IX	WASHER 20X28X2 DIN 988	RONDELLE 20X28X2 DIN 988	UNTERLEGSSCHEIBE 20X28X2 DIN 98	ARANDELA 20X28X2 DIN 988
16	F02050078	ANELLO E. DE 20X 1,2 U7435 C70	SEEGER RING E. 20X1,2 7435 C70	SEEGER 20X 1,2 U7435 C70	SEEGER E. 20X 1,2 U7435 C70	0
17	F02050370	ANELLO E. DI 47X1,75 U7437 C70	SEEGER RING 47X 1,75 U7437 C70	SEEGER E. 47X 1,75 U7437 C70	SEEGERING E. 47X1,75 U7437 C70	ANILLO E. 47X 1,75 U7437 C70
18	F02150036	LINGUETTA 6X 6X 20 U6604A	PARALLEL KEY 6X 6X 20 U6604A	LANGUETTE 06X6X20 UNI6604	FEDERKEIL 06X6X20 UNI6604	LENGSETA 06X6X20 UNI6604
19	G58162014	ELEM.ELAS.ROTEX 19 95/98 SHORE	ELASTIC ELEMENT OF JOINT 24.24	ELEM. ELASTIQUE DU JOINT 24.24	ELAST. KUPPLUNGSELEM. 24.24	ELEM.ELÁSTICO DEL ACOPLAMIENTO
20	F04010165	CUSC.D20 D47 B14 6204.2RSC3	BEARING D20 D47 B14 6204.2RSC3	PALIER D204 2RS	LAGER 6204 2RS	COJINETE 6204 2RS
21	F06220034	VOLANTINO M5 X 25 VPA/25	HANDWHEEL M5 X 25 VPA/25	VOLANT M5 X 25 VPA/25	HANDRAD M5 X 25 VPA/25	VOLANTE M5 X 25 VPA/25
22	G23440562	DISTANZ.GUSCI SOFFIANTE HL/ID	BLOWER SHELL SPACER HL/ID	ENTRETOISE COQUES SOUFFLANTE H	DISTANZSTÜCK SCHALEN GELBZSE H	DISTANC. CASCARAS SOPLAD. HL/I
23	G23440563	GRIGLIA DI PROTEZIONE HL/ID	PROTECT. GRID HL/ID	GRILLE DE PROTECTION HL/ID	SCHUTZGITTER HL/ID	REJILLA DE PROTECCIN HL/ID G
24	G23440564	COPERCHIO CHIUSURA SOFF. HL/ID	BLOWER CLOSING COVER . HL/ID	COUVERCLE FERMETURE SOUFFL. HL	ABSCHLUSSDECKEL GEBL. HL/ID	TAPA CIERRE SOPL. HL/ID
25	G13912460	COPRIVENTOLA LATO SCHIENALE	BACK FAN PROTECTION	PROTECTION ROTOR DOSSIER	RUECKENLAUFRADSCHUTZ	PROTECCIN VENTILADOR RESPALDOP
26	G13912470	COPRIVENTOLA LATO MOTORE	MOTOR FAN PROTECTION	PROTECTION ROTOR MOTEUR	MOTORLAUFRADSCHUTZ	PROTECCIN VENTILADOR MOTOR P
27	G15450401	PUL.CONDOTTA CONCIM.PNEUM.	DRIVEN PULLEY PNEUM.SEEDEER			
28	G15450410	RONDELLA X GIUNTO ELASTICO	LOCK WASHER	RONDELLE DE BLOCAGE	SPERRSCHEIBE	ARANDELA DE BLOQUEO
29	G15450420	GIUNTO ELAS.ROTEX19 95/98SHORE	LOCK COUPLING	JOINT DE BLOCAGE	SPERRKUPPLUNG	JUNTA DE BLOQUEO
30	G15450432	FLANGIA	FLANGE			
31	G15470411	RINF.ANTERIORE	FRONT REINFORCEMENT			
32	G15470421	RINF.POSTERIORE	REAR REINFORCEMENT			
33	G20970035	RONDELLA 32X4X13	WASHER 32X4X13	RONDELLE 32X4X13	UNTERLEGSSCHEIBE 32X4X13	ARANDELA 32X4X13
34	G18701660	RONDELLA 14,2 X33 X1	WASHER 33X 0-3X14-2	RONDELLE 33X 0-3X14-2	UNTERLEGSSCHEIBE 14-2 X33 X0-3	ARANDELA 33X 0-3X14-2
35	G19004340	DISTANZIALE CONCIM.PNEUMATICA	PNEUM.FERT. SPACER			
36	G67320001	VENTOLA PLASTICA DISCO L80M8	PLASTIC FAN- DISK L80M8	ROTOR PLASTIQUE DISQUE L80M8	SCHEIBE PLASTIKRAD L80M8	VENTILADOR PLÆSTICO DISCO L80M
37	G15473770	SOFFIANTE CONC.PNEUM.COMPL.	COMPL. FERTILIZER PNEUMATIC BL	SOUFFLEUR ENGRAIS PNEUMATIQUE	PNEUMATISCHES GEBLZSE KOMPL.	SOPLADOR ABONO NEUM-TICO COMPL
38	G13912101	UGELLO CONCIMAZIONE PNEUMATICA	NOZZLE PNEUMATIC FERTILIZATION	RACCORD FUMAGE PNEUMATIQUE	ANSCHLUSS PNEUMATISCHE DsNGUNG	UNIN DE ABONO NEUMAT.
39	G13912131	RACCORDO CONCIMAZ.PNEUMATICA	UNION PNEUMATIC FERTILIZATION	COLLIER VASE EXPANSION	SCHELLE EXPANSIONSGEFZSS	ABRAZADERA DEPOSITO DE EXPANSIC
40	G13912350	FASCETTA VASO ESPANSIONE	EXPANSION CHAMBER CLAMP	VASE EXPANSION D.35-50	EXPANSIONSGEFZSS D.35-50	DEPITO DE EXPANSIN D.35-50
41	G13912512	VASO ESPANSORE D.35-50	D.35-50 EXPANSION TANK	SUPPORT CONVOYEUR	HALTERUNG FTRDERER	SOPORTE TRANSPORTADOR
42	G15471471	SUPPORTO CONVOGLIATORE	CONVEYOR SUPPORT	GUIDE-TUBES POUR 3 TUBES	ROHRFshRUNG Fsr 3 ROHRE	GUA TUBOS PARA 3 TUBOS G
43	G18901960	GUIDATUBI PER 3 TUBI	PIPE GUIDE FOR 3 PIPES	RESSORT SUPP. VAS EXPANSION	OB. FEDER EXPANSIONSGEFZSS	MUELLE SOP. DEPOSITO DE EXPANSA
44	G18902650	MOLLA SUPP.VASO ESPANSIONE	EXPANSION TANK SUPPORT SPRING	RACCORD FINAL FUMAGE PNEUMAT.	ENDANSCHLUSS PNEUM. DsNGUNG	UNIN FINAL DE ABONAD. NEUMAT.R
45	G19002580	RACCORDO FINALE CONCIMAZ.PNEUM	PNEUMAT. MAN. SPR. END UNION	RONDELLE TUBES DISPOSITIF DE D	UNTERLEGSSCHEIBE VAKUUMPUMPENRO	ARANDELA TUBOS BOMBA VACO. S
46	G22230264	RONDELLA TUBI DEPR.	AIR PUMP PIPE WASHER	BRIDE CONVOYEUR HL/ID	FLANSCH FTRDERER HL/ID	BRIDA CONDUCTOR HL/ID
47	G23440561	FLANGIA CONVOGLIATORE HL/ID	CONVEYOR FLANGE HL/ID	CONVOYEUR D. 35 HL/ID	CONDUCTOR D.35 HL/ID	CONDUCTOR D.35 HL/ID
48	G23440553	CONVOGLIATORE D.35 HL/ID	CONVEYOR- D.35 HL/ID	VIS 6 X70 5737 8.G ZN	SCHRAUBE 6 X70 5737 8.G ZN	TORNILLO 6 X70 5737 8.G ZN
49	F01020047	VITE M6X1X70 U5737 8.8ZN	SCR. M6X1X70 U5737 8.8ZN	VIS M 8X1,25X30 U5739 8.8 ZN	SCHRAU. M8X1,25X30 U5739 8.8ZN	TORN. M8X1,25X30 U5739 8.8 ZN
50	F01020445	VITE M8X1,25X30 U5739 8.8ZN	SCR. M8X1,25X30 U5739 8.8ZN	VIS M10X1,5X25 U5739 8.8 ZN	SCHRAUBE M10X1,5X25 U5739 8.8	TORNILLO 10X25 U5739 8.8 ZN
51	F01020472	VITE M10X1,5X25 U5739 8.8ZN	SCR. M10X1,5X25 U5739 8.8ZN	VIS M10X1,5X30 U5739 8.8 ZN	SCHRAUBE M10X1,5X30 U5739 8.8ZN	TORNIL.M10X1,5X30 U5739 8.8 ZN
52	F01020476	VITE M10X1,5X30 U5739 8.8ZN	SCR. M10X1,5X30 U5739 8.8ZN	ECROU M8 X1,25 U5588 6.8 ZN	MUTTER M8 X1,25 U5588 6.8 ZN	TUERCA M8 X1,25 U5588 6.8 ZN
53	F01200244	DADO M8X1,25 U5588 6.8ZN	NUT M8X1,25 U5588 6.8ZN	ECROU M10X 1,5 U5588 6.8 ZN	MUTTER M10X 1,5 U5588 6.8 ZN	TUERCA M10X 1,5 U5588 6.8 ZN
54	F01200270	DADO M10X1,5 U5588 6.8ZN	NUT M10X1,5 U5588 6.8ZN	RONDELLE M8 8,4X24X 2 U6593 ZN	SCHEIBEN M8 8,4X24X 2 U6593 ZN	ARANDELA M8 8,4X 24X2 U6593 ZN
55	F01420048	ROS.M8 8,4X 24X 2 U6593 ZN	WASHER M8 8,4X 24X2 U6593 ZN	RONDELLE D6 DIN 6798 D.INT.GALV.	UNT. SCHEIBE D6 DIN 6798 D. IN	ARANDELA D6 DIN 6798 D.INT.ZN
56	F01430047	ROS.M6 6,4X 11X0,7 U8842J ZN	WASHER D6 DIN 6798 D.INT.GALV.	TUBE FLEXIBLE PVC R 76	76 SCHLAUCH PVC	TUBO FLEXIBLE PVC R 76
57	F03100367	TUBO VULCANO PU R 76	FLEXIBLE PVC PIPE R 76	COLLIER DE SERRAGE 77/95	ROHRSCHELLE 80/100 H.8	ABRAZADERA P. MANGUERA 80/100
58	F02300023	FASCETTA STRING. 80/100 H.8	PIPE CLAMP 80/100 H.8			
59	F02300020	FASCETTA STRING. 32/50 H.9	HOSE CLAMP 32/50 H.9			
60	F05150060	FASCETTA POLYA. 9X380 NERA	POLYAMIDE FASTENING STRAPS 9X3	COLLIER POLYAMIDE 9X350 31919	SCHELLE POLYAMID 9X350 31919	ABRAZADERA POLIAMIDA 9X350 319
61	G66248098	TAPPO CONVOGLIATORE DEPR. SP	AIR PUMP CONVEYOR PLUG SP	BOUCHON CONVOYEUR TURBINE SP	VAKUUM FTRDERPFROPFEN SP	TAPN CONDUCTOR DEPR. SP D
62	F03150664	TAPPO MASCHIO 1/8 ESAGONO	1/8 MALE HEXAGON. PLUG	BOUCHON MALE 1/8 HEXAGONAL	GEWINDFROPFEN 1/8 SECHSKANT	TAPN MACHO 1/8 HEXÆGONO D
63	G18903180	MOLLA CONVOGLIATORE MICRO	MICRO CONVEYOR SPRING	RESSORT CONVOYEUR MICRO	FEDER MIKRO FTRDERER	MUELLE CONDUCTOR MICRO
64	G16670670	DISTANZIALE D.48,1X1,5 L=25	SPACER D.48,1X1,5 L=25			
65	F03100500	TUBO EOLO 35 PU	TUBE EOLO 35 PU	TUBE FOLO 35 PU		TUBO EOLO



# REGOLAZIONE CENTRALIZZATA SPANDICONCIME (SPEEDY SET)

TAV. 211

Pos.	Cod.	Descrizione	Description	Description	Benennung	Descripcion
1	F02100066	SPINA E.P. 4X 36 U6873 C70 BR	PIN EL. 4X 36 U6873 C70 BR			
2	G19003660	SUPPORTO	SUPPORT	SUPPORT	HALTERUNG	SOPORTE
3	F01070061	VITE A3,9X1,34X9,5 U6954 4.8NI	SCR. H3,9X1,34X9,5 U6954 4.8NI	VIS 3,9X 9,5 DIN 7981	SCHRAUBE 3,9X 9,5 DIN 7981	TORNILLO 3,9X 9,5 DIN 7981
4	F01050083	VITE M5X0,8X12 U5927 A2IX	SCR. M5X0,8X12 U5927 A2IX	GOUJON 5X12 UNI 5927	STIFT 5X12 UNI 5927	TORNILLO SIN CABEZA 5X12 5927
5	G19705101	DECAL.SPANDICON CON SPEEDYSET	DECAL.FERTILIZER W/ SPEEDYSET			
6	G19003680	INGRANAGGIO Z.15	GEAR Z 15	ENGRENAGE Z 15	ZAHNRAD Z 15	ENGRANAJE Z 15
7	G16670040	DISTR.COMPL.8PALE SPEEDY SET P	COMPL.PLA.SPEEDY SET DISTR.8R	MINIMAX COMPL 8C PLA SPEEDYSET	KOMPL.DOSIER.SPEEDY SET PLA.8S	DISTR.COMP.SPEEDY SET PLA.8AL.
8	G16670321	TONDO D.10X 780 3F4	ROUND BAR D.10X780 3F4			
9	F01420038	ROS.M6 6,4X18X1,5 U6593 IX	WASHER M6 6,4X18X1,5 U6593 IX	RONDELLE M6 6,4X18X1,5U6593 IX	SCHEIBE M6 6,4X18X1,5 U6593 IX	ARANDELA M6 6,4X18X1,5 6593IX
10	F01200233	DADO M6X1 U5588 A2IX	NUT M6X1 U5588 A2IX	ECROU M 6X 1 U5588 I	MUTTER M 6X 1 U5588	TUERCA M 6X 1 U5588
11	G19003670	MANOPOLA SPEEDY SET	SPEEDY HANDLE SET	POIGN+E SPEEDY SET	GRIFF SPEEDY SET	EMPUJADURA SPEEDY SET
12	F01020419	VITE M 6X1 X 16 U5739 A2IX	SCR. M6X1X16 U5739 A2IX	VIS M6 X1 X 16 U5739 8.8 IX	SCHRAUBE M6 X1 X 16 U5739 8.	TORNIL. M6 X1 X 16 U5739 8.8
13	G65336055	MOLLA SPEC.REGOL.SPAND. SP	SPEC SPRING MAN. SPR. ADJUSTM.	RESSORT SPEC. REGL. EP. ENTRA	SPEZIALFEDER STREUEREINSTELLUN	MUELLE ESPEC. REGUL. ABONADORA
14	G19003720	GHIERA REGOLAZIONE SX	LEFT ADJUSTMENT KNURLED NUT	MANCHON DE REGLAGE GCH	EINSTELLMUTTER LINKS	ROSCA REGULACION IZQUIERDA
15	G16670310	SUPPORTO MOLLA REGOLATORE	ADJ.SPRING SUPPORT			
16	G19003690	CREMAGLIERA	RACK	CREMAILLIERE	ZAHNSTANGE	CREMALLERA
17	F01080032	VITE M4X0,7X10 U7688 A2IX	SCR. M4X0,7X10 U7688 A2IX	VIS M4X 0,7X10 U7688 A2 IX	SCHRAUBE M4X 0,7X10 7688 A2 IX	TORNILLO M4X0.7X10 U7688 A2 IX
18	G16670100	REGOLATORE APERTURA	OPENING REGULATOR	REGULATEUR OUVERTURE	TFFNUNGSEINSTELLER	REGULADOR ABERTURA
19	G19003700	COPERCHIO SPEEDY SET	COVER SPEEDY SET	COUVERCLE SPEEDY SET	DECKEL SPEEDY SET	TAPA SPEEDY SET
20	G66248173	ASSE DISTR.SPAND. SP	MANURE SPREADER DISTR. SPINDLE	AXE DISTRIBUTEUR EP.ENGRAIS SP	ACHSE SZAPPARAT STREUER SP	EJE DISTR. ABON. SP
21	G66248172	DOSATORE DISTR.SPAND. SP	MAN.SPR. SEED METERING DEVICE	DOSEUR DISTRIBUTEUR EP. ENGRAI	DOSIERER DsNGERSTREUER. SP	DOSIFICADOR DISTR.ABON. SP
22	G66248211	PERNO RONDELLA FUSA SPAND. SP	MAN. SPR. CAST WASHER PIN. SP	PIVOT RONDELLE MOULEE EP. ENGR	ZAPFEN LOSE UNTERLEGSSCHEIBE ST	PERNO ARANDELA FUNDIDA ABONAD
23	G19002920	CORPO DISTRIBUTORE SPANDI PLA.	PLA. F.SPREADER DISTRIB.CASING	CORPS DISTRIBUTEUR EPAND.	VERTEILUNGSKTRPER STREUER PLA.	CUERPO DIST. ABONADORA PLæs.
24	G18701500	RONDELLA 29,5 X38 X0,3 IX	WASHER 29,5 X 38 X 0,3	RONDELLE 29,5 X38 X0,3	UNTERLEGSSCHEIBE 29,5X38X0,3	ARANDELA 29,5 X38 X0,3
25	G20860126	KIT INGR DISTR CONCIME (2+2)	KIT- MAN. DISTR. GEARS (2+2)	COUPLE CON DISTR ENGRAIS (2+2)	KIT ZAHNRZDER DsNGERSTREUER	SET ENGRANAJES DISTRIB. ABONO
26	F01070075	VITE A4,2X1,41X38 U6954 4.8NI	SCR. H4,2X1,41X38 U6954 4.8NI	VIS 4-2X38 DIN 7981	SCHRAUBE 4-2X38 DIN 7981	TORNILLO 4-2X38 DIN 7981
27	G20970097	RONDELLA 32X3X4,5	WASHER 32X3X4-5	RONDELLE 32X3X4-5	UNTERLEGSSCHEIBE 32X3X4-5	ARANDELA 32X3X4-5
28	G66248178	SCIVOLO DISTR.SPAND. SP	CHUTE- MANURE-SPREADER DISTRIB	LANCOIR DISTRIBUTION EP. ENGR.	DsNGERSTREUER RUTSCHE SP	PLANO INCLINADO DISTR. ABON. S
29	G65336062	MOLLA SPEC.SCIV.DISTR.SPAND.SP	SPEC SPRING - MAN. SPR. DISTR.	RESS. SPEC. LANCOIR DISTR. EP.	SPEZ.FEDER RUTSCHE SZAPP. STRE	MUELLE ESPEC.PLANO INCL.DISTR.
30	G19002850	PROTEZIONE PIGNONE	PINION GUARD	PROTECTION PIGNON	RITZELSCHUTZ	PROTECCIN PIGN PR
31	F01070011	VITE A4,2X1,41X9,5 U6950 4.8NI	SCR. H4,2X1,41X9,5 U6950 4.8NI	VIS AUTOTAR. 4-2X9-5 T. E. COU	SELBSTSCHNEID. SCHRAUBE 4-2X9-	TORNILLO AUTORROSC. 4-2X9-5
32	G13722330	DISTR.COMPL.8PALE SPEEDY SET F	COMPL.SPEEDY 8-BLADE DISTR. SE	DISTR.COMPL.8PALETTES SPEEDY S	SAATGUTAUS.8SCH.KOMPL.SPEEDY S	DISTR.COMPL.8PALETAS SPEEDY SE
33	G16670330	TONDO D.10X1030	ROUND D.10X1030			
34	G16670340	TONDO D.10X1230	D.10X1230 ROUND	ROND D.10X1230	RUNDEISEN D.10X1230	BARRA REDONDA D. 10X1230
35	G16670350	TONDO D.10X1430	D.10X1430 ROUND	ROND D.10X1430	RUNDEISEN D.10X1430	BARRA REDONDA D. 10X1430
36	G66248176	CORPO DISTR.SPAND. SP	MANURE SPREADER DISTR. CASING	CORPS DISTRIB. EP. ENGRAIS SP	VERTEILUNGSKTRPER STREUER SP	CUERPO DISTR. ABON. SP
37	G19003710	GHIERA REGOLAZIONE DX	RIGHT ADJUSTMENT KNURLED	BAGUE REGLAGE DROITE	EINSTELLMUTTER RE	CONTRATUERCA REGULACIN DER.

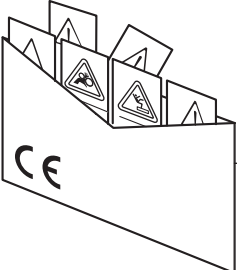
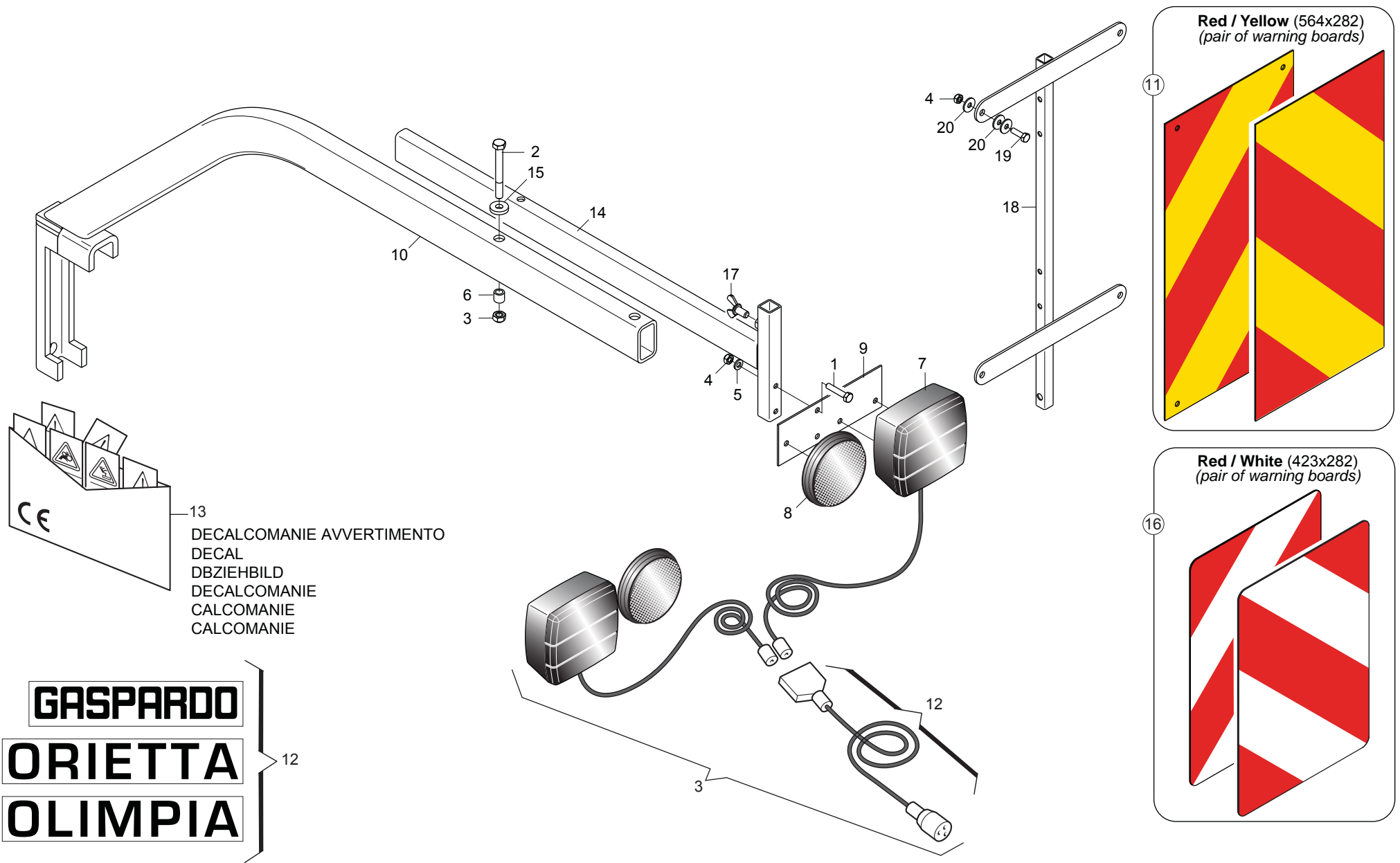


# RULLO ANTERIORE

TAV. 222

Pos.	Cod.	Descrizione	Description	Description	Benennung	Descripcion
1	G15816370	DISTANZIALE TELAIO	FRAME SPACER ASS.	GR. ENTRETOISE BATI	DISTANZSTsCK RAHMEN	CONJ. DISTANCIADOR BASTIDOR
2	F01200306	DADO M14X2 U5588 6.8ZN	NUT M14X2 U5588 6.8ZN	ECROU M14X2	MUTTER M14X2	DADO M14X2
3	F01410088	ROS.M14 15X 28X2,5 U6592 ZN	WAS.M14 15X 28X2,5 U6592 ZB	RON.M14 15X 28X2,5 U6592 ZB	SCH.M14 15X 28X2,5 U6592 ZB	ARA.M14 15X 28X2,5 U6592 ZB
4	F01020470	VITE M10X1,5X20 U5739 8.8ZN	SCR. M10X1,5X20 U5739 8.8ZN	VIS M10X1,5X20 U5739 8.8 ZN	SCHRAUBE M10X1,5X20 U5739 ZN	TORNILLO M10X1,5X20 U5739 8.8ZN
5	F01430023	ROS.M10 10,5X 18X0,9 U8842J ZN	WASHER D10 DIN 6798 D.INT.ZN	RONDELLE D10 DIN 6798 D. INT.	UNT. SCHEIBE D10 DIN 6798 D.IN	ARANDELA D10 DIN 6798 D.INT.ZN
6	G18701140	RONDELLA 11 X35 X5 ZN	WASHER 11 X 35 X 5	RONDELLE 11 X35 X5	UNTERLEGSSCHEIBE 11 X35 X5	ARANDELA 11 X35 X5
7	G15810410	RASCHIATERRA PER RULLO 1500	SOIL SCRAPER FOR ROLLER 1500	RACLEUR ROULEAU 1500	ERDSHABER ROLLE 1500	RASCADOR DE TIERRA POR RODILLO
8	G15810330	SUPPORTO RASCH.RULLO 355	ROLLER 355 SOIL SCRAPER SUPPOR	SUPPORT RACLEUR ROULEAU 355	HALTERUNG ERDSCHABER ROLLE 355	SOPORTE RASCADOR TIERRA RODILL
9	F01020476	VITE M10X1,5X30 U5739 8.8ZN	SCR. M10X1,5X30 U5739 8.8ZN	VIS M10X1,5X30 U5739 8.8 ZN	SCHRAUBE M10X1,5X30U5739 8.8ZN	TORNIL.M10X1,5X30 U5739 8.8 ZN
10	F04100137	SUPPORTO FY 25 TF	SUPPORT FY 25 TF	SUPPORT FY 25 TF		
11	F02050101	ANELLO E. DE 25X 1,2 U7435 C70	SEEGER RING E. 25X1,2 7435 C70	SEEGER E. 25X 1,2 U7435 C70	SEEGERING E. 25X 1,2 U7435 C70	ANILLO E. 25X 1,2 U7435 C70
12	G15810472	ASS.PERNO BLOCCAGGIO RULLO ZN	GALVAN. PIN BLOCK ROLLER			
13	F02200374	COPIGLIA R 4X 82 ZN	SPRING SPLIT PIN 4X82	GOUPILLE 4X82	SPLINT 4X82	PASADOR 4X82
14	G15810241	BRACCIO SUPPORTO RULLO	ROLLER SUPPORT ARM			
15	G15816380	ATTACCO RULLO	ROLLER COUPLING ASS.	GR. FIXATION ROULEAU	KUPPLUNG ROLLE	CONJ. CONEXIN RODILLO
16	F04150019	BOCCOLA FLANG.25 X 28 X 20 >	COLLARED BUSH 25 X 28 X 20	BOITE COLLIER 25 X 28 X 20	ANSCHLUSSBUECHSE 25 X 28 X 20	CASQUILLO CONEX. 25 X 28 X 20
17	F01020198	VITE M14X2X45 U5737 8.8ZN	SCR. M14X2X45 U5737 8.8ZN	VIS 14X45 5737 8.G ZN *	SCHRAUBE 14X45 5737 8.G ZN *	TORNILLO 14X45 5737 8.G ZN *
18	G15810191	ASS.SUPPORTO RULLO	ROLL SUPPORT ASS.BLY			
19	F01020223	VITE M14X2X150 U5737 8.8BR	SCR. M14X2X150 U5737 8.8BR	VIS 14X150 5737 8.G	SCHRAUBE 14X150 5737 8.G	TORNILLO 14X150 5737 8.G
20	F02200463	SPINA SCATTO D. 5 B/81 ZN	SNAP PIN D5 B/81 ZN	FICHE A DETENTE D5 B/81 ZN	EINRASTSTIFT D5 B/81 ZN	CLAVIJA DE MUELLE D5 B/81 ZN
21	G16610040	TUBO R.150X100X1900	RECTANGULAR PIPE 150X100X1900	TUBE RECTANGULAIRE 150X100X190	RECHTECK.ROHR150X100X1900	TUBO RECT.150X100X1900
22	G16610050	TUBO R.150X100X2480	RECTANGULAR PIPE 150X100X2480	TUBE RECT.150X100X6X2480	R. ROHR150X100X6X2480	TUBO RECT.150X100X6X2480
23	G15810310	RULLO 355X1500	ROLLER 355X1500 ASS.	GR. ROULEAU 355X1500	ROLLE 355X1500	CONJ. RODILLO 355X1500
24	G15810870	RULLO D.355X1800	ROLLER 355X1500 ASS.	GR. ROULEAU 355X1800	ROLLE 355X1800	CONJ. RODILLO 355X1800
25	G15810890	RASCHIATERRA PER RULLO 1800	SOIL SCRAPER FOR ROLLER 1800	RACLEUR ROULEAU 1800	ERDSHABER ROLLE 1800	RASCADOR DE TIERRA POR RODILLO
26	GA5820340	TIRANTE BARRA MICRO RULLO ANT.	ROLLER BAR TIE-ROD			
27	F20110770	CAV.Q.B=80 M=14X2 L=119	U BOLT Q.B=80 M=14X2 L=119	BRIDE U M14X2X50 96X119 ZN	ANSCHLANG U M14X2X50 96X119 ZN	EL.DE EMPALME M14X2X50 96X119
28	F20110706	CAV.Q.B=35 M=10X1,5 L=60	U BOLT Q.B=35 M=10X1,5 L=60	CAVALIER SUPPORT DISQUE SV	VERBINDUNG SCHEIBENHALTERUNG S	PERNO EN U SOP. DISCO SV
29	F01200270	DADO M10X1,5 U5588 6.8ZN	NUT M10X1,5 U5588 6.8ZN	ECROU M10X 1,5 U5588 6.8 ZN	MUTTER M10X 1,5 U5588 6.8 ZN	TUERCA M10X 1,5 U5588 6.8 ZN
30	F01200306	DADO M14X2 U5588 6.8ZN	NUT M14X2 U5588 6.8ZN	ECROU M14X2	MUTTER M14X2	DADO M14X2
31	G20970142	RONDELLA 32X4X15,5	WASHER 32X4X15-5	RONDELLE 32X4X15-5	UNTERLEGSSCHEIBE 32X4X15-5	ARANDELA 32X4X15-5





13  
 DECALCOMANIE AVVERTIMENTO  
 DECAL  
 DBZIEHBILD  
 DECALCOMANIE  
 CALCOMANIE  
 CALCOMANIE

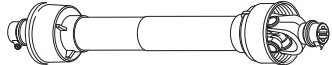
**GASPARDO**  
**ORietta**  
**OLIMPIA**

12

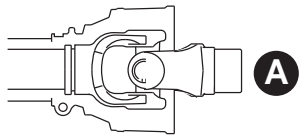
# ACCESSORI

TAV. 252

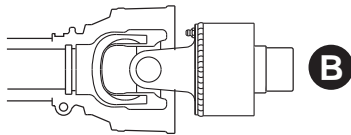
Pos.	Cod.	Descrizione	Description	Description	Benennung	Descrpcion
1	F01020408	VITE M6X1X30 U5739 8.8ZN	SCR. M6X1X30 U5739 8.8ZN	VIS M6X1X30	SCHRAUBE M 6X1X30	TORNILLO M6X1X30
2	F01020082	VITE M8X1,25X65 U5737 8.8ZN	SCR. M8X1,25X65 U5737 8.8ZN	VIS M8X1,25X65 U5737 8.8 ZN	SCHRA. M8X1,25X65 U5737 8.8 ZN	TORN. M8X1,25X65 U5737 8.8 ZN
3	F01220022	DADO M8X1,25 D980 8ZN	NUT M8X1,25 D980 8ZN	ECROU M8X 1,25 D980 8 ZN	MUTTER M8X 1,25 D980 8 ZN	TUERCA M8X 1,25 D980 8 ZN
4	F01220011	DADO M6X1 D980 8ZN	NUT M6X1 D980 8ZN	ECROU M6X1 D980 8 ZN	MUTTER M6X1 D980 8 ZN	TUERCA M6X1 D980 8 ZN
5	F01410037	ROS.M6 6,4X12,5X1,6 U6592 ZN	WASHER M6 6,4X12,5X1,6 U6592ZN	RONDEL.M6 6,4X12,5X1,6 U6592ZN	SCHEIB.M6 6,4X12,5X1,6 U6592ZN	ARAND.M6 6,4X12,5X1,6 U6592 ZN
6	G18800970	BOCCOLA 8,25 X12 X11	BUSHING 8,25 X12 X11			
7	F05010076	FANALE X KIT LUCI	LAMP KIT LIGHTS COMPL.	FEU KIT ECLAIRAGE COMPL.	LAMPEN KIT LICHT KOMPL.	FAROL SET LUCES COMPL.
8	F05010221	CATARIFRANGENTE TONDO D.80 >	ROUND REFLECTOR D.80			
9	G13616570	PIASTRA SUPP.LUCI	LIGHTS PLATE SUPPORT			
10	G15817800	SUPPORTO TABELLE POSTERIORI	REAR TABLE SUPPORT			
11	F05010816	TABELLE (2)CAR.SPORGENTI IT	WARNING BOARDS (2) IT			
12	G89900515	KIT DECALCOMANIE ORIETTA	ORIETTA DECAL KIT	KIT DECALCOM. ORIETTA	KIT ABZIEHB. ORIETTA	SET CALCOM. ORIETTA
13	G89900500	KIT DECALCOMANIE -CE-	DECAL KIT -CE-	KIT DECALCOMANIE -CE- K	IT ABZIEHB. -CE- S	ET CALCOMANAS -CE- KI
14	G15817811					
15	G20970104	RONDELLA 21X4X8,5	WASHER 21X4X8-5	RONDELLE 21X4X8-5	UNTERLEGSCHIEBE 21X4X8-5	ARANDELA 21X4X8-5
16	F05010817	TABELLE (2)CAR.SPORGENTI FR-DE	WARNING BOARDS (2) FR-DE	TABLEAUX (2)AVERTISSEM. FR-DE	BRETT (2) WARNUNG FR-DE	TABLAS (2)CAR.ADVERT. FR-DE
17	F01090215	VITE M8X1,25X15 U5449 5.8ZN	SCR. M8X1,25X15 U5449 5.8ZN	VIS M8X1,25X15 U5449 5.8ZN	SCHRAU. M8X1,25X15 U5449 5.8ZN	TORN. M8X1,25X15 U5449 5.8ZN
18	G16612070	TELAIO SUPP.TABELLE STRAD.	FRAME SUPPORT TABLE			
19	F01020404	VITE M6X1X20 U5739 8.8ZN	SCREW M6X1X20 U5739 8.8ZN	VIS M6X1X20 U5739 8.8ZN	SCHRAUBE M6X1X20 U5739 8.8ZN	TORNILLO M6X1X20 U5739 8.8ZN
20	F01420036	ROS.M6 6,4X 18X1,5 U6593 ZN	WASHER M6 6,4X 18X1,5 U6593 ZN	RONDELLE M6 6,4X18X1,5 U6593ZN	SCHEIBEN M6 6,4X18X1,5U6593 ZN	ARANDELA M6 6,4X18X1,5U6593ZN

 Codice - Code    Descrizione - Description		Lunghezze Lengths		Classe - Size (A x B)	Tipo - Type (*)		Forcelle - Yokes (**)					
		min.	max.				Z6 (1"3/8)	Z6 (1"3/4)	Z8 (32x38)	Z20 (1"3/4)	Z21 (1"3/8)	
①	F08011711	CARD.B1 Z6-Z6 L700	700	1100	B1 (22 x 54)	A	A	G58161015 ⑪	F08011772 ⑬	F08011742 ⑮	F08011758 ⑱	F08011767 ⑳
②	F08011713	CARD.B1 Z8-Z6 L700	700	1100	B1 (22 x 54)	A	A	G58161015 ⑪	F08011772 ⑬	F08011742 ⑮	F08011758 ⑱	F08011767 ⑳
③	F08011714	CARD.B1 Z20-Z6 L700	700	1100	B1 (22 x 54)	A	A	G58161015 ⑪	F08011772 ⑬	F08011742 ⑮	F08011758 ⑱	F08011767 ⑳
④	F08011715	CARD.B1 Z8-Z6 L900 R.LIB	900	1400	B1 (22 x 54)	A	B	G58161015 ⑪	F08011772 ⑬	F08011742 ⑮	F08011758 ⑱	F08011767 ⑳
⑤	F08011716	CARD.B1 Z6-Z6 L900 R.LIB	900	1400	B1 (22 x 54)	A	B	G58161015 ⑪	F08011772 ⑬	F08011742 ⑮	F08011758 ⑱	F08011767 ⑳
⑥	F08011719	CARD.B2 Z6-Z6 L900	900	1400	B2 (23,8 x 61,3)	A	B	—	—	—	—	—
⑦	F08011720	CARD.B3 Z8-Z6 L1300	1300	2000	B3 (27 x 70)	A	A	—	G58161016 ⑭	F08011743 ⑰	—	—
⑧	F08011757	CARD.B1 Z20-Z6 L900 R.L	900	1400	B1 (22 x 54)	A	B	G58161015 ⑪	F08011772 ⑬	F08011742 ⑮	F08011758 ⑱	F08011767 ⑳
⑨	F08011764	CARD.R4 Z20-Z6 L1210 OM-RL	1210		R4 (27 x 74,6)	A	C	F08011768 ⑫	—	F08011766 ⑰	F08011774 ⑲	F08011773 ㉑
⑩	F08011930	CARD.B3 Z6-Z6 L1200	1200	1700	B3 (27 x 70)	A	A	—	G58161016 ⑭	F08011743 ⑰	—	—

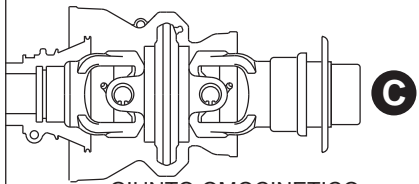
(\*)



GIUNTO STANDARD  
STANDARD JOINT

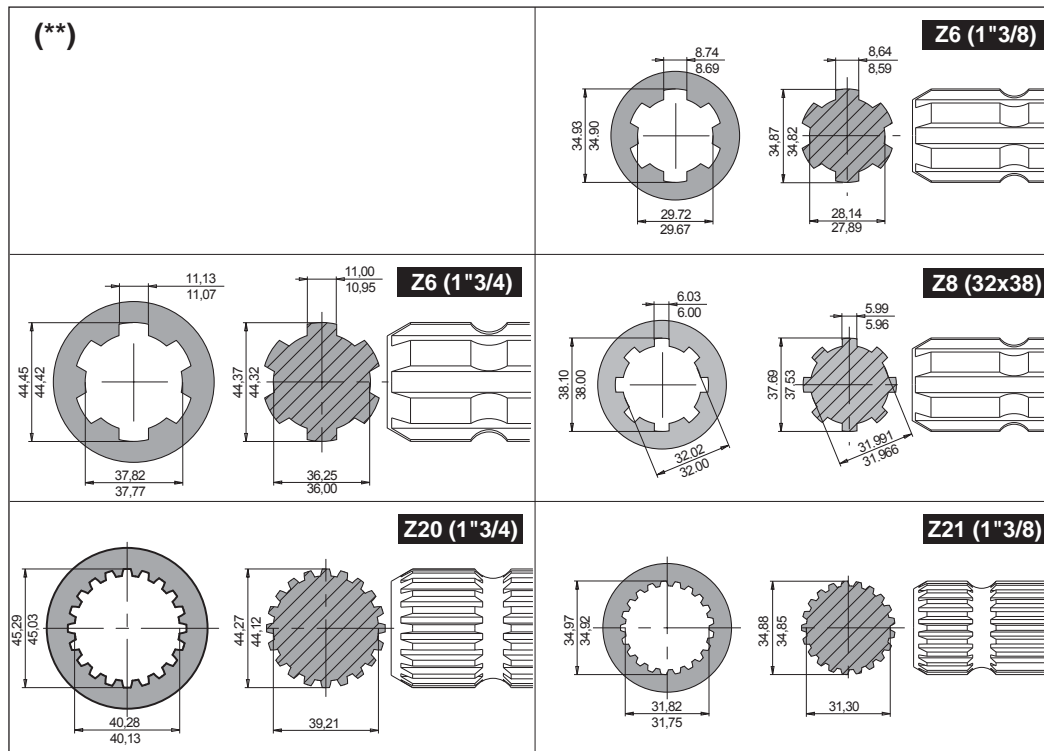


RUOTA LIBERA  
OVERRUNNING CLUTCH

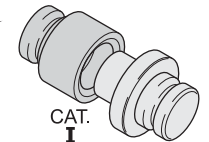


GIUNTO OMOCINETICO  
CONSTANT VELOCITY JOINT

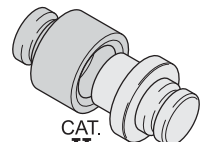
(\*\*)



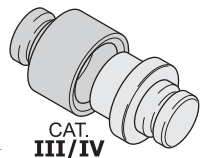
KIT PRESSORE/BUSSOLA  
KIT PUNCH/ROOT



CAT. I



CAT. II

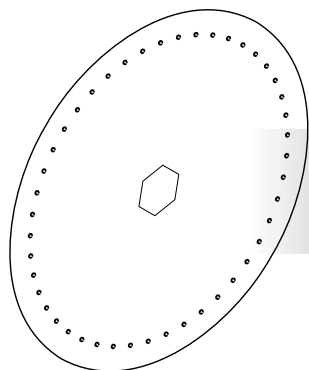


CAT. III/IV

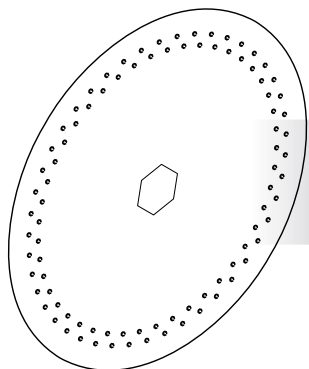
**CARDANI**

**TAV. 322**

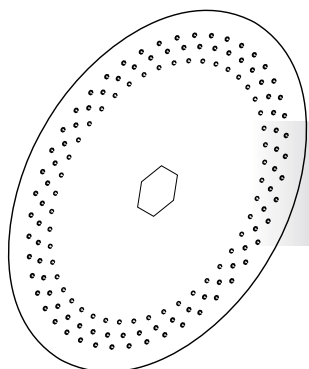
Pos.	Cod.	Descrizione	Description	Description	Benennung	Descripcion
1	F08011711	CARD.B1 Z6-Z6 L700	PTO SHAFT B1 Z6-Z6 L700			
2	F08011713	CARD.B1 Z8-Z6 L700	PTO SHAFT B1 Z8-Z6 L700			
3	F08011714	CARD.B1 Z20-Z6 L700	PTO SHAFT B1 Z20-Z6 L700			
4	F08011715	CARD.B1 Z8-Z6 L900 R.LIB	CARD.B1 Z8-Z6 L900 FREE W.			
5	F08011716	CARD.B1 Z6-Z6 L900 R.LIB	CARD.B1 Z6-Z6 L900 R.LIB	CARD.B1 Z6-Z6 L900 R.LIB	KARDAN CE T100710 112 R12	CARDAN CE T100710 112 R12
6	F08011719	CARD.B2 Z6-Z6 L900	UNIVERSAL JOINT 102 071 N T07	CARD. 102 071 N T07 T07 1 CAT	KARDAN 102 071 N T07 T07 1CAT	CARDæN 102 071 N T07 T07 1CAT
7	F08011720	CARD.B3 Z8-Z6 L1300	UNIV.JOINT B3 Z8-Z6 L1300			
8	F08011757	CARD.B1 Z20-Z6 L900 R.L >	UNIVERSAL JOINTB1 Z20-Z6 L900			
9	F08011764	CARDANO OM 3/4Z20-RL Z6 L1381	CARD.R4 Z20-Z6 L1381 OM-RL			
10	F08011930	CARD.B3 Z6-Z6 L1200	PTO SHAFT B3 Z6-Z6 L1200			
11	G58161015	FORCELLA CARD.1'3/8 Z6 B1	CARD. FORK 1'3/8 Z6 B1			
12	F08011768	FORCELLA CARD.1 3/8 Z6 R4	FORK 1 3/8 Z6 R4			
13	F08011772	FORCELLA CARD.1"3/4 Z6 B1 >	YOKE 1" 3/4 Z6 B1			
14	G58161016	FORCELLA CARD.1'3/8 Z6 B3 >	CARD.FORK 1'3/8 Z6 B3 >			
15	F08011742	FORCELLA CARD.32X38 Z8 B1	YOKE CARD.32X38 Z8 B1	FOURCHETTE CARDAN Z8 B1	GABEL KARDAN Z8 B1	HORQUILLA CARDAN Z8 B1
16	F08011743	FORCELLA CARD.32X38 Z8 B3	YOKE CARD.32X38 Z8 B3			
17	F08011766	FORCELLA CARD.32X38 Z8 R4	FORK 32X38 Z8 R4			
18	F08011758	FORCELLA CARD.1"3/4 Z20 B1 >	CARD.FORK 1"3/4 Z20 B1 >			
19	F08011774	FORCELLA CARD.1 3/4 Z20 R4	CARD. FORK 1 3/4 Z20 R4			
20	F08011767	FORCELLA CARD.1 3/8 Z21 B1 >	CARD.FORK 1 3/8 Z21 B1 >			
21	F08011773	FORCELLA CARD.1 3/8 Z21 R4 >	FORK 1 3/8 Z21 R4			
22	F08010152	KIT PRESSORE BUSSOLA CAT I-IV>	TOOLS FOR PTO YOKE CAT I-IV			



Fila singola - Single row - Einreihig - Un seul rang - Hilera sencilla										
Fori - Holes - Troues - Löcher - Agujeros	Nr.	Fori - Holes - Troues - Löcher - Agujeros Ø								
		0,5	0,6	0,8	1	1,2	1,5	2	2,2	2,5
24	G15823880	G15823890	G15823900	G15823910	G15823920	G15823930	G15823940	G15823950	G15823960	G15823970
45	G15824200	G15824210	G15824220	G15824230	G15824240	G15824250	G15824260	G15824270	G15824280	G15824290
75	G15824300	G15824310	G15824320	G15824330	G15824340	G15824350	G15824360	G15824370	G15824380	G15824390
90	G15824400	G15824410	G15824420	G15824430	G15824440	G15824450	G15824460	G15824470	G15824480	G15824490
120	G15824600	G15824610	G15824620	G15824630	G15824640	G15824650	G15824660	G15824670	G15824680	G15824690



DR Fila doppia - Double row - Doppelreihe - Double rang - Hilera doble						
Fori - Holes - Troues - Löcher - Agujeros	Nr.	Fori - Holes - Troues - Löcher - Agujeros Ø				
		0,5	0,6	0,8	1	1,2
24	G15880010	G15880020	G15880030	G15880040	G15880050	G15880060
45	G15880110	G15880120	G15880130	G15880140	G15880150	G15880160
75	G15880210	G15880220	G15880230	G15880240	G15880250	G15880260
90	G15880310	G15880320	G15880330	G15880340	G15880350	G15880360
120	G15880410	G15880420	G15880430	G15880440	G15880450	G15880460



TR Fila Tripla - Triple row - Dreiergruppereihe - Triple rang - Hilera Triple				
Fori - Holes - Troues - Löcher - Agujeros	Nr.	Fori - Holes - Troues - Löcher - Agujeros Ø		
		0,6	0,8	1
45	-		G15880810	G15880820
75	-		G15880860	G15880870
90	G15882500		G15880910	G15880920
120	-		G15880960	G15880970





**USATE SEMPRE RICAMBI ORIGINALI  
ALWAYS USE ORIGINAL SPARE PARTS  
IMMER DIE ORIGINAL-ERSATZTEILE VERWENDEN  
EMPLOYEZ TOUJOURS LES PIECES DE RECHANGE ORIGINALES  
UTILIZAR SIEMPRE REPUESTOS ORIGINALES**

# **GASPARDO**

**Servizio Assistenza Tecnica - After Sales Service: +39 0434 695557**

**Servizio Ricambi - Spare Parts Service: +39 0434 695496**

DEALER:



**MASCHIO GASPARDO SpA**

**Registered office & Production plant**

Via Marcello, 73 - 35011 Campodarsego (Padova) - Italy  
Tel. +39 049 9289810  
Fax +39 049 9289900  
info@maschio.com  
www.maschionet.com

**MASCHIO GASPARDO SpA**

**Production plant**

Via Mussons, 7 - 33075  
Morsano al Tagliamento (PN) - Italy  
Tel. +39 0434 695410  
Fax +39 0434 695425  
info@gaspardo.it

**MASCHIO DEUTSCHLAND GMBH**

Äußere Nürnberger Straße 5  
D - 91177 Thalmässing - Deutschland  
Tel. +49 (0) 9173 79000  
Fax +49 (0) 9173 790079  
dialog@maschio.de  
www.maschio.de

**MASCHIO FRANCE Sarl**

Rue Denis Papin ZA  
F - 45240 La Ferté Saint Aubin  
France  
Tel. +33 (0) 2.38.64.12.12  
Fax +33 (0) 2.38.64.66.79  
info@maschio.fr

**000 МАСКИО-ГАСПАРДО РУССИЯ**

Улица Пушкина, 117 Б  
404126 Волжский  
Волгоградская область  
Тел. +7 8443 203100  
факс. +7 8443 203101  
info@maschio.ru

**MASCHIO-GASPARDO ROMANIA S.R.L.**

Strada Înfrâterii, F.N.  
315100 Chisineu-Cris (Arad) -România  
Tel. +40 257 307030  
Fax +40 257 307040  
info@maschio.ro

**MASCHIO-GASPARDO North America**

112 3rd Avenue East  
Dewitt, IA 52742 - USA  
Ph. +1 563 659 6400  
Fax +1 563 659 6405  
info@maschio.us

**MASCHIO IBERICA S.L.**

**MASCHIO-GASPARDO POLAND  
MASCHIO-GASPARDO UCRAINA  
GASPARDO-MASCHIO TURCHIA  
MASCHIO-GASPARDO CINA  
MASCHIO-GASPARDO INDIA  
MASCHIO-GASPARDO KOREA**